

Item
Model
Project Name



601239

## FEATURES

- Removable stressed polyamide cutting compartment.
- Stainless steel loader/guard.
- Automatic feed hopper with an aluminium base.
- "No volt release" safety device.
- Self braking motor.
- On/off switch on the body of the machine.
- Stainless steel support with pivoting wheels.

## TR200

TR200 is a large capacity vegetable slicer for restaurants. It is an essential tool in kitchens where the preparation of vegetables needs to be done in a minimum time. Thanks to its automatic feed hopper the TR200 has a high productivity (ex: more than 50 kg of carrots grated in less than 15 minutes)

- Vegetable slicer elements: automatic hopper, standard lever operated hopper, cabbage hopper, long vegetable hopper.

**Vegetable slicers**



**DITO****Electrolux**

## Specifications

MODEL	TR2001V3 601268	TR2001V 601269	TR2002V3 601239	TR200VV 601238
External dimensions - mm				
width	625	625	760	760
depth	615	615	615	615
height	840	840	1075	1075
Cutting capacity - lbs/h carrots				
	441	441	882	882
Cutting capacity - kg/h				
carrots	200	200	400	400
Cutting capacity - lbs/h potatoes				
	1984	1984	3968	3968
Cutting capacity - kg/h				
potatoes	900	900	1800	1800
Power - kW				
installed-electric	0.37	0.37	0.5	0.75
Net weight - kg.				
	35.5	35.5	42.5	42.5
Supply voltage				
	230/400 V, 3, 50	220...240 V, 1N, 50/60	400 V, 3, 50	208...240 V, 1N, 50/60

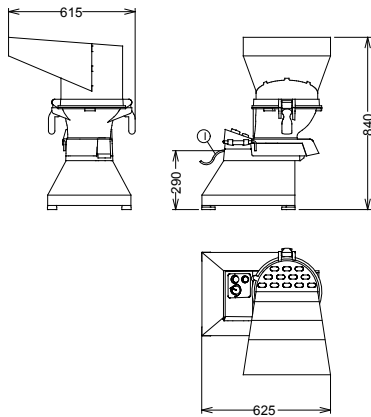
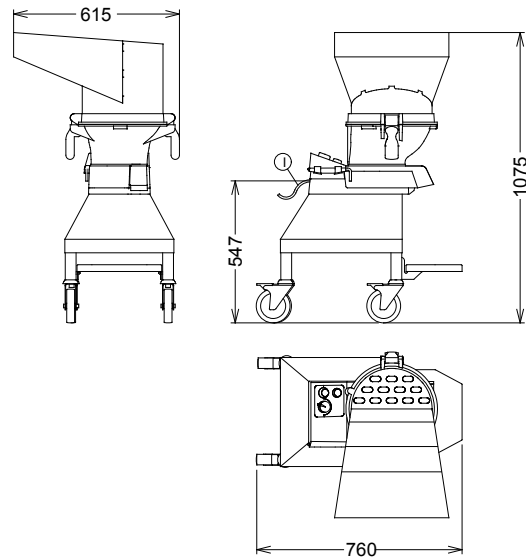
## Optional accessories

CODE	DESCRIPTION	TR2001V3 601268	TR2001V 601269	TR2002V3 601239	TR200VV 601238
653568	DICING GRID 10 MM FOR VEGETABLE SLICER	✓	✓	✓	✓
653569	DICING GRID 12 MM FOR VEGETABLE SLICER	✓	✓	✓	✓
653570	DICING GRID 20 MM FOR VEGETABLE SLICER	✓	✓	✓	✓
653566	DICING GRID 5 MM FOR VEGETABLE SLICER	✓	✓	✓	✓
653567	DICING GRID 8 MM FOR VEGETABLE SLICER	✓	✓	✓	✓
653122	DISC WITH CORRUGATED BLADES 2 MM	✓	✓	✓	✓
653123	DISC WITH CORRUGATED BLADES 3 MM	✓	✓	✓	✓
653126	DISC WITH CORRUGATED BLADES 6 MM	✓	✓	✓	✓
653111	DISC WITH CURVED BLADES 1 MM	✓	✓	✓	✓
653511	DISC WITH CURVED BLADES 10 MM	✓	✓	✓	✓
653112	DISC WITH CURVED BLADES 2 MM	✓	✓	✓	✓
653113	DISC WITH CURVED BLADES 3 MM	✓	✓	✓	✓
653115	DISC WITH CURVED BLADES 5 MM	✓	✓	✓	✓
653164	GRATING DISC 4 MM	✓	✓	✓	✓
653498	GRATING DISC 9 MM	✓	✓	✓	✓
653287	LEVER-OPERATED HOPPER	✓	✓	✓	✓
653297	LONG VEGETABLE HOPPER	✓	✓	✓	✓
653283	S/S WORK TABLE+FOLDING SHELVES+DISK RACK	✓	✓		
653214	SHREDDING DISC 2X2 MM	✓	✓	✓	✓
653153	SHREDDING DISC 3X3 MM	✓	✓	✓	✓
653154	SHREDDING DISC 4X4 MM	✓	✓	✓	✓
653289	SLICING BLADES VARIABLE DEPTH 1MM-7MM	✓	✓	✓	✓
653565	SLICING DISC FOR MOZZARELLA 10 MM	✓	✓	✓	✓
653101	SLICING DISC WITH STRAIGHT BLADES 1 MM	✓	✓	✓	✓
653110	SLICING DISC WITH STRAIGHT BLADES 10 MM	✓	✓	✓	✓
653103	SLICING DISC WITH STRAIGHT BLADES 14 MM	✓	✓	✓	✓
653102	SLICING DISC WITH STRAIGHT BLADES 2 MM	✓	✓	✓	✓
653103	SLICING DISC WITH STRAIGHT BLADES 3 MM	✓	✓	✓	✓
653106	SLICING DISC WITH STRAIGHT BLADES 6 MM	✓	✓	✓	✓
653108	SLICING DISC WITH STRAIGHT BLADES 8 MM	✓	✓	✓	✓



**DITO****Electrolux**

## Installation drawings

**601268, 601269****601239, 601238****MODEL****TR2001V3  
601268****TR2001V  
601269****TR2002V3  
601239****TR200VV  
601238**

I - Electrical connection

230/400 V, 3, 50

220...240 V, 1N,  
50/60

400 V, 3, 50

208...240 V, 1N,  
50/60

The manufacturer reserves the right to modify and make improvements to the products without giving prior warning. Dimensions, illustrations, technical data, weights, etc. are given as an indication only.



[www.dito-electrolux.com](http://www.dito-electrolux.com)

# Vegetable slicers

AAAAE010

