

Manual equipment

CT5/6/10

The CT series of tomato slicers gives a better quality of cut with less effort, this professional tomato slicer allows the tomato to maintain its original shape even after slicing. The tomato slicer is ideal for preparing salads, starters or hamburger garnishes in a safety way.



601157

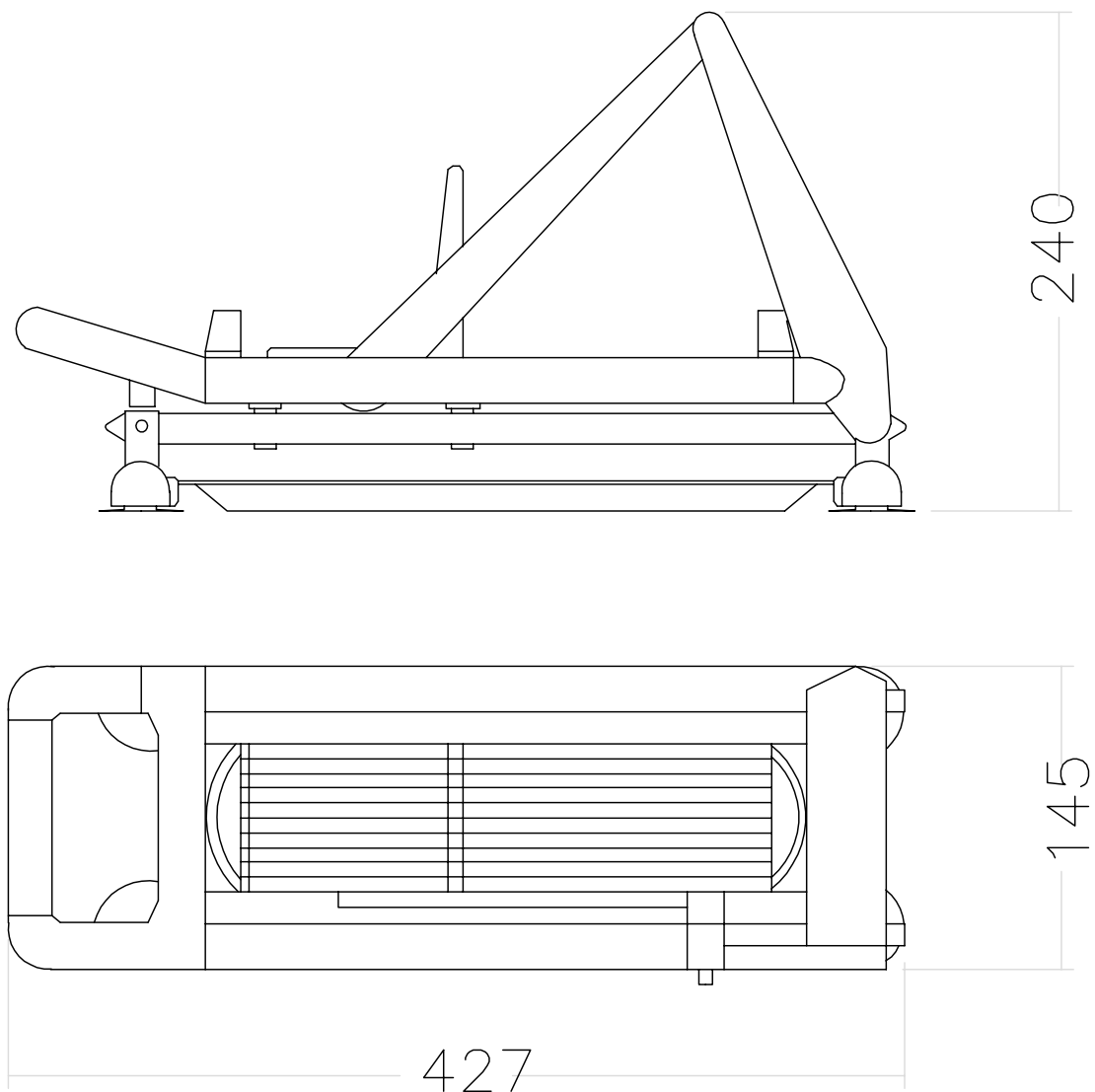
FEATURES

- The tomato is placed on the holder.
- The lever is lowered cleanly and quickly without hesitation.
- The tomato returns with the trolley.
- The sliced tomato can be picked up, still in its original shape.
- Unscrew to remove the holder which slides out of the frame for cleaning under running water along with the rest of the slicer.
- Stainless steel removable holder and cutter block
- Stainless steel blades are easily tensioned.
- Powerful suction cups ensure perfect stability on the work top.



CE **Electrolux**

601157



Manual equipment

CT5/6/10

BADA010

2010-05-06

		CT6 601157
TEHNILISED ANDMED		
Välismõõtmed -mm/laius		145
Välismõõtmed -mm/sügavus		427
Välismõõtmed -mm/kõrgus		240
Netokaal - kg		3
STANDARD LISAVARUSTUS		
LÕIKELAUD 6MM TOMATILÕIKURILE		1
TOMATI VIILUJAOTUR 6MM LÕIKURILE		1
LISAVARUSTUS		
KALLUTUSTUGI TOMATI VIILUTAJALE		653282
LÕIKELAUD 6MM TOMATILÕIKURILE		653100
TOMATI VIILUJAOTUR 6MM LÕIKURILE		653099

Võib muutuda ilma etteatamata