

Item
Model
ProjectName



603283 + AUTOMATIC HOPPER + STAND

TR260

The TR260 vegetable slicer makes all types of vegetable slicing possible. By combining the equipment, it is possible to vary the slicing dimensions in order to achieve original vegetable preparations. An advantage of the automatic hopper is the high productivity and the reduction in the work time which makes it possible to prepare the vegetables at the last minute.

FEATURES

- A wide variety of work is possible such as: thin slicing, grating and shredding: carrots, potatoes and celery.
- Up to 2,200 W, with a two speed (three phase) motor or 1,500 W (single phase).
- "No volt release device".
- Self braking motor.
- Stainless steel motor housing.
- Flat control panel with on/off control and possible selection of speed (only for the two speed version).
- Vegetable slicer elements: automatic hopper, standard lever-operated hopper, cabbage hopper, long vegetable hopper.

Vegetable slicers



DITO**Electrolux**

- The touch control panel allows the entire machine to be cleaned with a jet of water (IP66 water proof index).
- 300 mm diameter cutting disk.

Specifications

MODEL	TR260F1V 603275	TR260FL1VS 603277	TR260F2V20 603283	TR260F2V38 603278	TR260FL2VS 603281
External dimensions - mm					
width	750	486	750	750	486
depth	380	750	380	380	750
height	460	1346	460	460	1346
Cutting capacity - kg/h					
carrots	350	350	350	350	350
chips	600	600	600	600	600
dicing	600	600	600	600	600
Cutting capacity - kg/h					
potatoes	550	550	550	550	550
Power - kW					
installed-electric	1.5	1.5	2	2	2
Net weight - kg.	49	78	49	49	78
Supply voltage	220...240 V, 1N, 50/60	220...240 V, 1N, 50	200...240 V, 3, 50	380...415 V, 3, 50	380...415 V, 3, 50



DITO**Electrolux**

Included accessories

CODE	DESCRIPTION	TR260F1V 603275	TR260FL1VS 603277	TR260F2V20 603283	TR260F2V38 603278	TR260FL2VS 603281
653174	GRATING DISC 2 MM		1			
653175	GRATING DISC 3 MM		1			
653036	LEVER HOPPER		1			1
653017	S/S MOBILE STAND		1			1
653172	SLICING DISC 2 MM		1			
653173	SLICING DISC 3 MM		1			
653212	STAINLESS STEEL DISC RACK		1			1

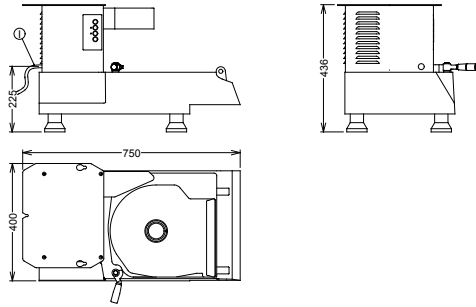
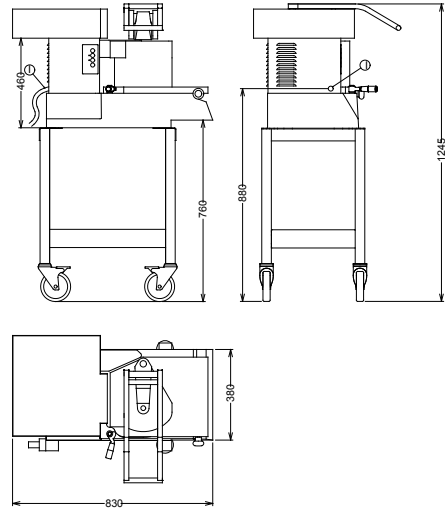
Optional accessories

CODE	DESCRIPTION	TR260F1V 603275	TR260FL1VS 603277	TR260F2V20 603283	TR260F2V38 603278	TR260FL2VS 603281
653037	AUTOMATIC HOPPER	✓	✓	✓	✓	✓
653048	CABBAGE HOPPER	✓	✓	✓	✓	✓
653009	CABBAGE SLICING DISC 1 MM	✓	✓	✓	✓	✓
653227	CABBAGE SLICING DISC 2 MM	✓	✓	✓	✓	✓
653228	CABBAGE SLICING DISC 3 MM	✓	✓	✓	✓	✓
653014	CABBAGE SLICING DISC FOR JULIENNE 7 MM	✓	✓	✓	✓	✓
653051	DICING GRID 10 MM	✓	✓	✓	✓	✓
653301	DICING GRID 12 MM	✓	✓	✓	✓	✓
653052	DICING GRID 16 MM	✓	✓	✓	✓	✓
653053	DICING GRID 20 MM	✓	✓	✓	✓	✓
653054	DICING GRID 25 MM	✓	✓	✓	✓	✓
653055	DICING GRID 32 MM	✓	✓	✓	✓	✓
653217	DISC WITH CORRUGATED BLADES 2 MM	✓	✓	✓	✓	✓
653218	DISC WITH CORRUGATED BLADES 3 MM	✓	✓	✓	✓	✓
653219	DISC WITH CORRUGATED BLADES 6 MM	✓	✓	✓	✓	✓
653174	GRATING DISC 2 MM	✓	✓	✓	✓	✓
653175	GRATING DISC 3 MM	✓	✓	✓	✓	✓
653194	GRATING DISC 4 MM	✓	✓	✓	✓	✓
653215	GRATING DISC 7 MM	✓	✓	✓	✓	✓
653220	GRATING DISC FOR KNOEDELN	✓	✓	✓	✓	✓
653216	GRATING DISC FOR PARMESAN	✓	✓	✓	✓	✓
653036	LEVER HOPPER	✓	✓	✓	✓	✓
653223	LONG VEGET.ACC.FOR LEVER HOPPER-3TUBES	✓	✓	✓	✓	✓
653306	LONG VEGETABLE HOPPER W/3TUBES D.50-70MM	✓		✓	✓	
653017	S/S MOBILE STAND	✓	✓	✓	✓	✓
653224	S/S TROLLEY FOR GN2/1 TRAYS	✓	✓	✓	✓	✓
653200	SHREDDING DISC 10X10 MM	✓	✓	✓	✓	✓
653195	SHREDDING DISC 2X2 MM	✓	✓	✓	✓	✓
653196	SHREDDING DISC 3X3 MM	✓	✓	✓	✓	✓
653197	SHREDDING DISC 4X4 MM	✓	✓	✓	✓	✓
653198	SHREDDING DISC 6X6 MM	✓	✓	✓	✓	✓
653199	SHREDDING DISC 8X8 MM	✓	✓	✓	✓	✓
653188	SLICING DISC 1 MM	✓	✓	✓	✓	✓
653192	SLICING DISC 10 MM	✓	✓	✓	✓	✓
653193	SLICING DISC 16 MM	✓	✓	✓	✓	✓
653172	SLICING DISC 2 MM	✓	✓	✓	✓	✓
653173	SLICING DISC 3 MM	✓	✓	✓	✓	✓
653189	SLICING DISC 5 MM	✓	✓	✓	✓	✓
653190	SLICING DISC 6 MM	✓	✓	✓	✓	✓
653191	SLICING DISC 8 MM	✓	✓	✓	✓	✓
653212	STAINLESS STEEL DISC RACK	✓	✓	✓	✓	✓



DITO**Electrolux**

Installation drawings

603275, 603278, 603283**603277, 603281****MODEL**

I - Electrical connection

**TR260F1V
603275**220...240 V,
1N, 50/60**TR260FL1VS
603277**220...240 V,
1N, 50**TR260F2V20
603283**200...240 V, 3,
50**TR260F2V38
603278**380...415 V, 3,
50**TR260FL2VS
603281**380...415 V, 3,
50

The manufacturer reserves the right to modify and make improvements to the products without giving prior warning. Dimensions, illustrations, technical data, weights, etc. are given as an indication only.



www.dito-electrolux.com

Vegetable slicers

AAAF010

