

Item
Model
ProjectName



## Belt transmission

The range of gravity slicers provides a rational and fast solution for the slicing problems of restaurants, canteens and supermarkets. They are particularly suitable for foods like salame/ham and cooked meats. The models detailed on this sheet are six gravity slicers available with belt transmissions.

601131

## FEATURES

- Base and main components in sanitary burnished aluminium thus guaranteeing durability, high sanitary standards and ease of cleaning.
- Sharpened blades in tempered forged steel.
- Removable and easy to use top mounted stone blade sharpener.
- Removable carriage system.
- Blade drive motor ventilated designed for continuous use.
- Carriage rollers and self-lubrication bushes for ease of movements during operation.
- Gauge plate interlock allows the removal of carriage for cleaning only when the appliance is switched off.

**Food slicers**



**DITO**

**Electrolux**

- Permanently mounted blade guard ring aids protection from cutting blades while operating and cleaning.
- Cover blade and product deflector easily removable without tools.
- Gauge knob provides precise control of slicing.
- Cover blade full covering for improved slicing and movement during manual operations (on models 601132, 601133 and 601113).
- Poly-V belt drive system.
- IP42 water protection.
- CE and NSF approved.

## Specifications

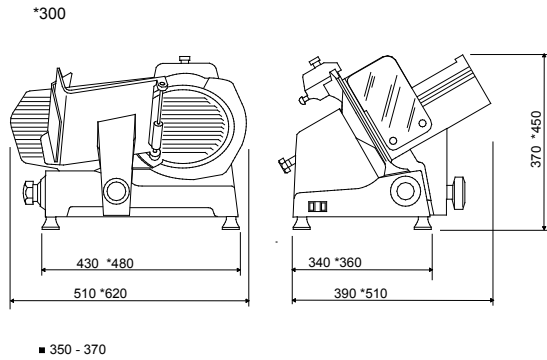
MODEL	MSG25B 601130	MSG30B 601131	MSG30B6 601112	MSG35B 601132	MSG35B6 601113	MSG37B 601133
External dimensions - mm						
width	510	620	620	695	695	710
depth	420	510	510	560	560	560
height	370	450	450	520	520	520
Electrical power - kW	0.185	0.185	0.185	0.375	0.375	0.375
Net weight - kg.	22	30	30	38	38	40



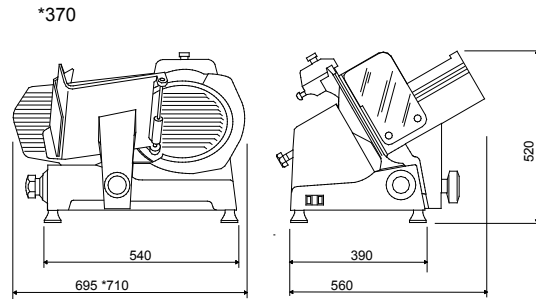
**DITO****Electrolux**

## Installation drawings

### 601130, 601112, 601131



### 601132, 601133, 601113



MODEL	MSG25B 601130	MSG30B 601131	MSG30B6 601112	MSG35B 601132	MSG35B6 601113	MSG37B 601133
I - Electrical connection	230 V, 1N, 50	230 V, 1N, 50	230 V, 1N, 60	400 V, 3, 50	230 V, 1N, 60	400 V, 3, 50

The manufacturer reserves the right to modify and make improvements to the products without giving prior warning. Dimensions, illustrations, technical data, weights, etc. are given as an indication only.



[www.dito-electrolux.com](http://www.dito-electrolux.com)

# Food slicers



AMAA020