

# Steam Sprayer User's Manual

Thanks very much for purchasing our Steam Sprayer. Please read carefully our User's Manual prior to use. After fully mastered it, you will see clearly its excellent performance and operational method.

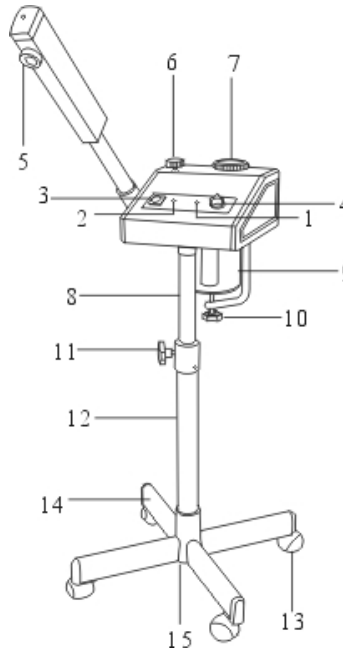
## Part 1. Function

The ionized steam generated by the product can mildly stimulate you skin, accelerate blood circulation and metabolism, moisten skin, renew cell moisture and make skin fleshy and elastic, then to attain the effect of nourishing, moisture maintaining, wrinkles resisting, whitening, face beautifying.

## Part 2. Usage, installation & operational method

### 1. Schematic Drawing

- (1) Heating Indicator
- (2) O3 Indicator
- (3) Ultraviolet Control
- (4) Time Regulator
- (5) Spray Nozzle
- (6) Nozzle Height Regulating Knob
- (7) Water Entry
- (8) Lift / Fall Tube
- (9) Water Glass
- (10) Water Glass Bracket
- (11) Vertical adjusting knob
- (12) Force Bouncing Tube
- (13) Movable Wheel
- (14) Foot Rack
- (15) Fixing Screw



2. Take out crossed iron Foot Rack and Force Bouncing Tube from the packing box, fix Force Bouncing Tube at the crossed Foot Rack with screw and . Note: during regulating the height of Lift / Fall Tube, do not target the Tube to yourself or anybody else, avoiding injure possibly caused by Tube bouncing out.
3. Install the base of the main machine bottom cover onto the Lift / Fall Tube.
4. Check if the Water Glass is firmly fixed and aiming at airproof ring to prevent steam from leaking out.
5. Pour pure distilled water into the Glass through funnel, with water level not beyond the graduation on the Glass, otherwise bead ejection will occur and cause scald. Please be noted above.
6. Plug the power supply wire into the socket that matches the rated voltage of this machine. Firstly press down the power supply switch (POWER), then press down Ultraviolet Control (OZONE) to generate ultraviolet and produce ion fog, attaining the effect of sterilization and disinfection. Don't point Spray Nozzle to people when the hot fog is not sprayed out in condition that the machine is at work, until the sprayed steam is normal.
7. The machine has the function of automatically switching off. When the time you set is end or water level is lower than the Heating Tube, the machine will switch off automatically to avoid being damaged. If you need to use it further, please switch off power supply and pour out the remaining water in the Glass, then clean it and fill with water again. In addition, Nozzle angle and Nozzle height can be adjusted to satisfy the demand for different pos

## Part 3. Items to be noted

1. During installation and Lift / Fall height adjustment, please press the top of the Lift / Fall Tube by hand, then slowly adjust to the required height.
2. In operation, any chemical material or additive is strictly prohibited to add into the Glass, or water spouting may occur.
3. After usage each time, firstly switch off power supply, and disconnect the plug of power supply. Note: don't

operate with wet hand. Then, pour out the remaining water in the Glass, and clean it. If white calcify material is found adhering at the Heating Tube, please soak Heating Tube in white vinegar for one night, then it will be removed.

- The machine has been subject to strict testing and inspection prior to delivery. If failure or wire damage occurs during operation, please repair or replace the wrong element with the same type by electrical technicians
- Please use the machine strictly according to operational rules. Our company bears no responsibility for failure and other problems resulted from disobeying operational rules.

**Part 4. Relevant technical data**

**Name:** Steam Sprayer

**Technical data:**

Volt:220V-240V	or	Volt:120V
Frequency:50-60Hz		Frequency: 60Hz
Power:797W		Power:750W

Attention:This instruction all suit for above electrical appliance description,the products must subject by electric nameplate..

**Electric shock prevention grade: Grade I**

**Part 5. Accessories**

- One Main Machine
- A pair of iron cross Foot Racks, one cross Foot Fork
- One Force Bouncing Tube, one Lift / Fall Tube
- One Force Bouncing Tube fixing screw, one gasket
- A copy of User’s Manual
- One certificate

**Please note:**

Be sure to keep in mind: after usage each time, be sure to pour out the remaining water in the Glass, and clean it, then fill with purified water to use. Operating by consecutively adding water is prohibited.

**WARNING:**

- This machine is not suit for the person who corporeity weakness, rection slow or impediment pneuma(include children)use,unless it guide by the person who had safe responsibility and safe use.
- The children should be supervise that make sure they not play the machine.

**Principle diagram**

