

ORECK[®] XL[®]

S I M P L Y A M A Z I N G[®]

Service Parts List



Compact Canister Vacuum Cleaner Models

BB 280 Series

BB 870-AW

BB870-AG

BB870-AGQB

BB 870-AD

BB870-ADP

BB 870-AS

BB870-AQ

BB870-AWQ

BB870-AWB

BB870-A8

BB870-A7

BB870-AUS

BB 850-AS

BB850-AW

BB850-AD

BB900-DGB

BB900-DGR

BB900-SM

REV AL., Please disregard all earlier versions.

Type 1, 2 & 3

Data Label



SN 870ADPPZ000672-3
FOR HOUSEHOLD USE ONLY
POUR USAGE MENAGER
CONFORMS TO UL STD 1017
CERTIFIED TO CSA C22.2 NO.243-01
TYPE 3 MODEL: BB870-AD
120 VOLTS 60 HZ 4 AMP
ORECK
NEW ORLEANS, LA 70123 U.S.A.
USA: 1-800-989-3535
CANADA: 1-888-676-7325
www.oreck.com

DATE: 06095
W: 3 YR / 10 HSG



Type Code: Represents product service revision number.

Type 1: Initial Production

Type 2: New Motor

Type 3: SHURLOK® Door / Hose

Julian Date Code:

Represents date of manufacture.
06 Represents the year.
095 Represents the day in that year.

Service Information

- Component configuration on exploded view may differ in case of specific versions. However, the actual components are distinguished by means of item and part numbers.
- If a repair has been made, make sure that all functions of the appliance are working correctly.
- Spare parts have been standardized as much as possible and the part may not be the exact replacement part.
- On-board tool caddy fits all large bodied BB's
- Model BB870-AC is same as BB870-AD.
- Microfilter fits all BB's.
- Do not use unit for prolonged periods w/full bag.
- To assemble wheels, pinch wheels at base then snap in. They are not removable.
- Small bodied housings are no longer available. Warranty claims on housings for small bodied units exchange for an equivalent BB870 model.
- The Bag Housing Gasket has been improved. If squealing occurs, change gasket and make sure clamp or knob is closing door tightly.

Standard Fastener Hardware Listing

Fasteners Fit All Compact Canisters Listed in Service Manual

#	FASTENER DESCRIPTION	FASTENER PART NO.	PART THAT FASTENER IS USED ON	QTY REQ'D	TORQUE RANGE (inlb)	QTY PER PKG.		
34	Screw, #8 - 10 X 7/8"	03754M	Housing	6	13 - 16	100		
35	Screw, #8 - 10 X 2 3/8"	03-00442-01M	Housing	1	13 - 16	100		
36	Screw, #8 - 10 X 1/2"	03-00471-01M	Door Knob	1	13 - 16	100		

Fasteners For BB870-AD, BB870-AS, BB900-DGB, BB900-DGR, BB900-SM Models Only

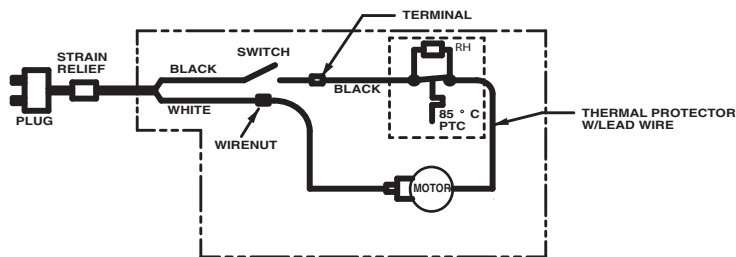
37	Screw, #8 - 10 X 7/8"	03-00451-01M	Cord Wrap	1	13 - 16	100		
38	Screw Cap Buttons, Black	72039-01M		7		100	NLA	NLA
46	Wire Nut 71B 16-22 AWG	03-00599-01M		1	35 - 55	100		

Wiring Diagram

**WHEN REPLACING THE MOTOR FOR BB280, BB850, BB870, BB900 OR BB1000 USE KIT #09-72158-01
WHEN REPLACING THE MOTOR FOR BB1100 USE KIT #09-73058-01**

WHICH INCLUDES:
MOTOR
LARGE MOTOR MOUNT
MOTOR MOUNT REAR (SMALL)
WIRENUT

SCHEMATIC DIAGRAM



WIRING DIAGRAM FOR MOTOR KIT COMPACT CANISTER VACUUM

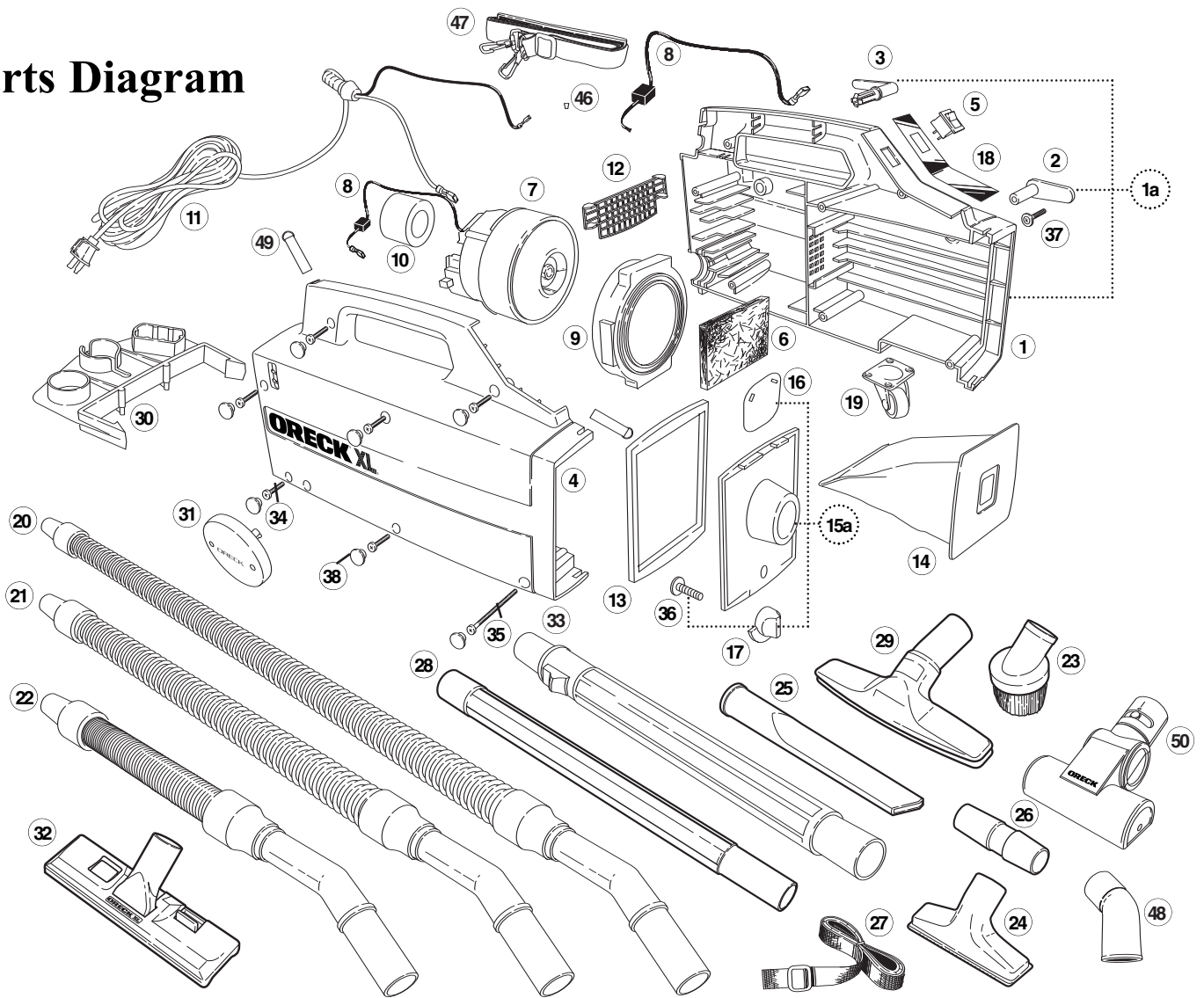
NOTES:

- ALL TERMINALS ARE QUICK SLIDE.
- IF TERMINAL ON WHITE LEAD FROM CORD, STRIP INSULATION FROM CORD & USE WIRENUT.

IMPORTANT SAFETY NOTES:

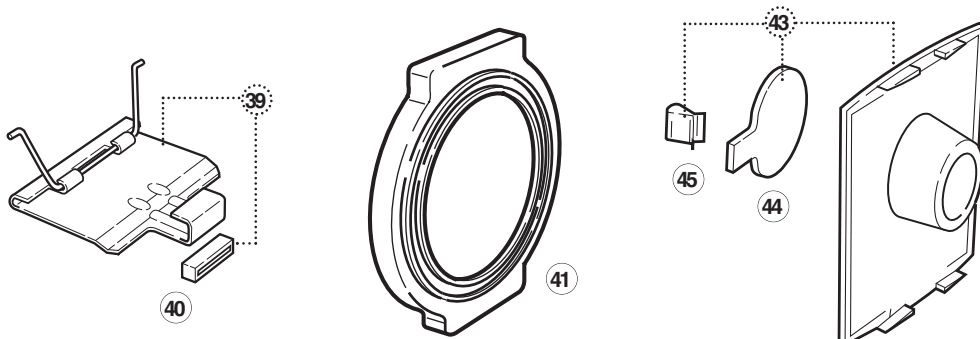
- UNPLUG UNIT BEFORE SERVICING.
- REPLACEMENT OF MOTORS SHOULD ONLY BE DONE BY AN EXPERIENCED ELECTRICIAN OR AN AUTHORIZED ORECK SERVICE CENTER.

Parts Diagram



Old Style Components

#	Item	Order #	Qty.	Pk.			
39	Clamp Assembly w/Clamp Cap	09-72016-01	1	1	NLA	NLA	NLA
40	Clamp Cap	72070-01	1	1	NLA	NLA	NLA
41	Motor Mount, Large	72057-01-0000	1	1			
43	Housing Door Assembly, w/Rubber Flapper & Clamp, White	09-72040-01	1	1	NLA	NLA	NLA
	Housing Door Assembly, w/Rubber Flapper & Clamp, Black	09-72040-02	1	1	NLA	NLA	NLA
44	Rubber Flapper	72041-01	1	1			
45	Rubber Flapper Metal Clamp	03-00445-01	1	1			



Part Numbers Listing: BB870-AW, BB870-AG, BB870-AGQB, BB850-AW

#	Item	Order #	Qty.	Pk.			
1	BB870-AW / BB850-AW: Left Housing w/Hot Stamp, White	09-72052-06	1	1			
	BB870-AG / BB870-AGQB: Left Housing w/Hot Stamp, Gray	09-72052-05	1	1			
4	BB870-AW / BB850-AW: Right Housing w/Hot Stamp, White	09-72051-06	1	1			
	BB870-AG / BB870-AGQB: Right Housing w/Hot Stamp, Gray	09-72051-05	1	1			
5	Switch, 2 Position, Black	72002-02	1	1			
6	Micro Filter	72005-01	1	1			
7	Motor Kit	09-72158-01	1	1			
7a	Kit, Motor Brushes	09-72205-01	2	2			
8	Manual Reset Thermal Protector	72132-03	1	1			
9	Motor Mount, Cup (Type 2 Units Only)	72123-01-0327	1	1			
10	Motor Mount, Small, Ametek	72058-01	1	1			
	Motor Mount, Small, Johnson	72159-01	1	1			
11	Power Cord, Black	72098-06-327	1	1			
12	Exhaust Filter Screen	72050-01-0327	1	1			
13	Bag Housing Gasket	72017-02	1	1			
14	Filter Bag, 12 Pack	PKBB12DW	1	12			
15a	BB870-AW / BB850-AW: Complete Housing Door Assembly, White	09-72100-03	1	1			
	BB870-AG / BB870-AGQB: Complete Housing Door Assembly, Gray	09-72100-05	1	1			
15b	BB870-AW: Complete Housing Door Assembly, White (Type 3 Units Only)	09-73014-53	1	1			
16	Dust Flap, Mylar	72088-01	1	1			
17	Housing Door Knob, Black	72090-01-0327	1	1			
18	Switch Label, Silver	72054-01	1	1			
	User's Manual	72204-02	1	1			

Accessories: BB870-AW, BB850-AW, BB280 (White)

20	Flexible Hose, 48", Black, Friction Fit (Type 1 & 2 Units Only)	72033-03-0327	1	1			
21	Flexible Hose, 36", White Shurlok®	72068-04-0431	1	1			
23	Dusting Brush, White	72029-01-0431	1	1			
24	Upholstery Tool, White	72030-01-0431	1	1			
25	Crevice Tool, White	72031-01-0431	1	1			
26	Adapter Tube, White	73041-01-0431	1	1			
27	Carrying Strap, Black	72034-01	1	1			
28	Extension Wand, White	72027-01-0431	2	1			
29	Wall & Floor Brush, White	72069-01-0431	1	1			

Accessories: BB870-AG & BB870-AGQB (Black)

20	Flexible Hose, 48", Black, Friction Fit (Type 1 & 2 Units Only)	72033-03-0327	1	1			
	Flexible Hose, 48", Black, Shurlok®	72033-04-0327	1	1			
23	Dusting Brush, Black	72029-01-0327	1	1			
24	Upholstery Tool, Black	72030-01-0327	1	1			
25	Crevice Tool, Black	72031-01-0327	1	1			
26	Adapter Tube, Black	73041-01-0327	1	1			
27	Carrying Strap, Black	72034-01	1	1			
28	Extension Wand, Black	72027-01-0327	2	1			
29	Wall & Floor Brush, Black	72069-01-0327	1	1			

Part Numbers Listing: BB870-AD, BB870-ADP, BB850-AD

#	Item	Order #	Qty.	Pk.			
1a	BB870-AD / BB850-AD: Left Housing w/Cord Wrap & Cord Dump, Assembly, Black w/Silver Hot Stamp	09-72023-03	1	1			
	BB870-ADP: Left Housing w/Cord Wrap & Cord Dump, Assembly, Black w/Pink Hot Stamp	09-72023-08	1	1			
2	Cord Wrap	72024-02-0327	1	1			
3	Cord Dump	56948-02-0327	1	1			
4	BB870-AD / BB850-AD: Right Housing w/ Silver Hot Stamp, Black	09-72013-03	1	1			
	BB870-ADP: Right Housing w/ Pink Hot Stamp, Black	09-72013-08	1	1			
5	Switch, 2 Position, Black	72002-02	1	1			
6	Micro Filter	72005-01	1	1			
7	Motor Kit	09-72158-01	1	1			
7a	Kit, Motor Brushes	09-72205-01	2	2			
8	Manual Reset Thermal Protector	72132-03	1	1			
9	Motor Mount, Cup <i>(Type 2 Units Only)</i>	72123-01-0327	1	1			
10	Motor Mount, Small, Ametek	72058-01	1	1			
	Motor Mount, Small, Johnson	72159-01	1	1			
11	Power Cord, Black	72098-06-327	1	1			
12	Exhaust Filter Screen	72050-01-0327	1	1			
13	Bag Housing Gasket	72017-02	1	1			
14	Filter Bag, 12 Pack	PKBB12DW	1	12			
15a	Complete Housing Door Assembly, Black <i>(Type 1 & 2 Units Only)</i>	09-72100-04	1	1			
15b	Complete Housing Door Assembly, Black <i>(Type 3 Units Only)</i>	09-73014-51	1	1			
16	Dust Flap, Mylar	72088-01	1	1			
17	Housing Door Knob, Black	72090-01-0327	1	1			
18	BB870-AD / BB850-AD: Switch Label, Black	72054-04	1	1			
	BB870-ADP: Switch Label, Silver	72054-01	1	1			
	User's Manual	72204-02	1	1			

Accessories:

22	Slinky Hose, Black, Friction Fit <i>(Type 1 & 2 Units Only)</i>	72046-04-0327	1	1			
	Slinky Hose, Black, Shurlok®	72046-05-0327	1	1			
23	Dusting Brush, Black	72029-01-0327	1	1			
24	Upholstery Tool, Black	72030-01-0327	1	1			
25	Crevice Tool, Black	72031-01-0327	1	1			
26	Adapter Tube, Black	73041-01-0327	1	1			
27	Carrying Strap, Black	72034-01	1	1			
28	Extension Wand, Black	72027-01-0327	2	1			
30	Tool Caddy, Black	72091-01-0327	1	1			
32	Floor Brush Nozzle, Black	D252	1	1			

Part Numbers Listing: BB870-AS, BB850-AS

#	Item	Order #	Qty.	Pk.			
1a	Left Housing w/Cord Wrap & Cord Dump, Assembly, Black	09-72064-04	1	1			
2	Cord Wrap	72024-02-0327	1	1			
3	Cord Dump	56948-02-0327	1	1			
4	Right Housing Super Deluxe w/Gold Hot Stamp, Black	09-72065-04	1	1	NLA	NLA	NLA
5	Switch, 2 Position, Black	72002-02	1	1			
6	Micro Filter	72005-01	1	1			
7	Motor Kit	09-72158-01	1	1			
7a	Kit, Motor Brushes	09-72205-01	2	2			
8	Manual Reset Thermal Protector	72132-03	1	1			
9	Motor Mount, Cup <i>(Type 2 Units Only)</i>	72123-01-0327	1	1			
10	Motor Mount, Small, Ametek	72058-01	1	1			
	Motor Mount, Small, Johnson	72159-01	1	1			
11	Power Cord, Black	72098-06-327	1	1			
12	Exhaust Filter Screen	72050-01-0327	1	1			
13	Bag Housing Gasket	72017-02	1	1			
14	Filter Bag, 12 Pack	PKBB12DW	1	12			
15a	Complete Housing Door Assembly, Black	09-72100-04	1	1			
16	Dust Flap, Mylar	72088-01	1	1			
17	Housing Door Knob, Black	72090-01-0327	1	1			
18	BB850-AS: Switch Label, Silver	72054-01	1	1			
	BB870-AS: Switch Label, Gold	72054-02	1	1			
19	Swivel Caster	72092-01	1	1			
	User's Manual	72204-02	1	1			

Accessories:

20	Flexible Hose, 48" Black, Friction Fit	72033-03-0327	1	1			
23	Dusting Brush, Black	72029-01-0327	1	1			
24	Upholstery Tool, Black	72030-01-0327	1	1			
25	Crevice Tool, Black	72031-01-0327	1	1			
26	Adapter Tube, Black	72032-01-0327	1	1			
27	Carrying Strap, Black	72034-01	1	1			
28	Extension Wand, Black	72027-01-0327	2	1			
30	Tool Caddy, Black	72091-01-0327	1	1			
31	BB870-AS: Wheels, w/Gold Stamp, Black	09-72099-02	2	1			
	BB850-AS: Wheels, w/Silver Stamp, Black	09-72099-01	2	1			
32	Floor Brush Nozzle, Black	D252	1	1			

Part Numbers Listing: BB870-AQ, BB870-AWQ, BB870-AWB

#	Item	Order #	Qty.	Pk.			
1	BB870-AQ: Left Housing w/Hot Stamp, Maroon BB870-AWQ / BB870-AWB: Left Housing w/Hot Stamp, White	09-72153-01 09-72052-03	1 1	1 1			
4	BB870-AQ: Right Housing w/Hot Stamp, Maroon BB870-AWQ / BB870-AWB: Right Housing w/Hot Stamp, White	09-72154-01 09-72051-03	1 1	1 1			
5	Switch, 2 Position, Black	72002-02	1	1			
6	Micro Filter	72005-01	1	1			
7	Motor Kit	09-72158-01	1	1			
7a	Kit, Motor Brushes	09-72205-01	2	2			
8	Manual Reset Thermal Protector	72132-03	1	1			
9	Motor Mount, Cup <i>(Type 2 Units Only)</i>	72123-01-0327	1	1			
10	Motor Mount, Small, Ametek Motor Mount, Small, Johnson	72058-01 72159-01	1 1	1 1			
11	Power Cord, Black	72098-06-327	1	1			
12	Exhaust Filter Screen	72050-01-0327	1	1			
13	Bag Housing Gasket	72017-02	1	1			
14	Filter Bag, 12 Pack	PKBB12DW	1	12			
15	BB870-AQ / BB870-AWQ: Complete Housing Door Assembly, Black <i>(Type 2 Units Only)</i> BB870-AWB: Complete Housing Door Assembly, White, Shurlok® <i>(Type 3 Units Only)</i>	09-72100-04 09-73014-53	1 1	1 1			
16	Dust Flap, Mylar	72088-01	1	1			
17	Housing Door Knob, Black	72090-01-0327	1	1			
18	BB870-AQ / BB870-AWQ: Switch Label, Silver BB870-AWB: Switch Label, Black	72054-01 72054-04	1 1	1 1			
	User's Manual	72204-02	1	1			

Accessories: BB870-AQ, BB870-AWQ (Black)

20	Flexible Hose, 48" Black, Friction Fit <i>(Type 1 & 2 Units Only)</i>	72033-03-0327	1	1			
22	Slinky Hose, Black, Friction Fit	72046-04-0327	1	1			
23	Dusting Brush, Black	72029-01-0327	1	1			
24	Upholstery Tool, Black	72030-01-0327	1	1			
25	Crevice Tool, Black	72031-01-0327	1	1			
26	Adapter Tube, Black	73041-01-0327	1	1			
27	Carrying Strap, Black	72034-01	1	1			
28	Extension Wand, Black	72027-01-0327	2	1			
29	Floor & Wall Brush	72069-01-0327	1	1			
30	Tool Caddy, Black	72091-01-0327	1	1			
32	Floor Brush Nozzle, Black	D252	1	1			
33	Ratcheting Wand	73026-01-0327	1	1			
50	Turbo Nozzle	SNATCH1	1	1			

Accessories: BB870-AWB (White)

21	Flexible Hose, 36", White Shurlok®	72068-04-0431	1	1			
23	Dusting Brush, White	72029-01-0431	1	1			
24	Upholstery Tool, White	72030-01-0431	1	1			
25	Crevice Tool, White	72031-01-0431	1	1			
26	Adapter Tube, White	73041-01-0431	1	1			
27	Carrying Strap, Black	72034-01	1	1			
28	Extension Wand, White	72027-01-0431	2	1			
29	Wall & Floor Brush, White	72069-01-0431	1	1			

Part Numbers Listing: BB870-A8, BB870-A7, BB870-AUS

#	Item	Order #	Qty.	Pk.			
1a	BB870-A8: Left Housing w/Cord Wrap & Cord Dump, Assy, Yellow	09-72161-01	1	1	NLA	NLA	NLA
	BB870-A7: Left Housing w/Cord Wrap & Cord Dump, Assy, Black	09-72023-03	1	1			
	BB870-AUS: Left Housing w/Cord Wrap & Cord Dump, Assy, Navy	09-72161-02	1	1			
2	Cord Wrap	72024-02-0327	1	1			
3	Cord Dump	56948-02-0327	1	1			
4	BB870-A8: Right Housing w/ Hot Stamp, Yellow	09-72163-01	1	1	NLA	NLA	NLA
	BB870-A7: Right Housing w/ Hot Stamp, Black	09-72013-03	1	1			
	BB870-AUS: Right Housing w/ Hot Stamp, Navy	09-72163-02	1	1	NLA	NLA	NLA
5	Switch, 2 Position, Black	72002-02	1	1			
6	Micro Filter	72005-01	1	1			
7	Motor Kit	09-72158-01	1	1			
7a	Kit, Motor Brushes	09-72205-01	2	2			
8	Manual Reset Thermal Protector	72132-03	1	1			
9	Motor Mount, Cup	72123-01-0327	1	1			
10	Motor Mount, Small, Ametek	72058-01	1	1			
	Motor Mount, Small, Johnson	72159-01	1	1			
11	Power Cord, Black	72098-06-327	1	1			
12	Exhaust Filter Screen	72050-01-0327	1	1			
13	Bag Housing Gasket	72017-02	1	1			
14	Filter Bag, 12 Pack	PKBB12DW	1	12			
15	Complete Housing Door Assembly, Black	09-72100-04	1	1			
16	Dust Flap, Mylar	72088-01	1	1			
17	Housing Door Knob, Black	72090-01-0327	1	1			
18	Switch Label, Silver	72054-01	1	1			
	User's Manual	72204-02	1	1			

Accessories:

20	Flexible Hose, 48" Black, Friction Fit	72033-03-0327	1	1			
23	Dusting Brush, Black	72029-01-0327	1	1			
24	Upholstery Tool, Black	72030-01-0327	1	1			
25	Crevice Tool, Black	72031-01-0327	1	1			
26	Adapter Tube, Black	72032-01-0327	1	1			
27	Carrying Strap, Black	72034-01	1	1			
28	Extension Wand, Black	72027-01-0327	2	1			
29	Wall & Floor Brush, Black	72069-01-0327	1	1			
30	Tool Caddy, Black	72091-01-0327	1	1			
32	Floor Brush Nozzle, Black	D252	1	1			

Part Numbers Listing: BB900-DGB, BB900-DGR, BB900-SM

#	Item	Order #	Qty.	Pk.			
1a	BB900-DGB: Left Housing w/Cord Wrap & Cord Dump, Blue	09-72023-07	1	1			
	BB900-DGR / BB900-SM: Left Housing w/Cord Wrap & Cord Dump, Red	09-72023-06	1	1			
2	Cord Wrap	72024-02-0327	1	1			
3	Cord Dump	56948-02-0327	1	1			
4	BB900-DGB: Right Housing w/ Hot Stamp & Label, Blue	09-72013-06	1	1			
	BB900-DGR: Right Housing w/ Hot Stamp & Label, Red	09-72013-05	1	1			
	BB900-SM: Right Housing w/ Hot Stamp w/o Label, Gray / Red	09-72013-57	1	1			
5	Switch, 2 Position, Black	72002-02	1	1			
6	Micro Filter	72005-01	1	1			
7	Motor Kit	09-72158-01	1	1			
7a	Kit, Motor Brushes	09-72205-01	2	2			
8	Manual Reset Thermal Protector	72132-03	1	1			
9	Motor Mount, Cup	72123-01-0327	1	1			
10	Motor Mount, Small, Ametek	72058-01	1	1			
	Motor Mount, Small, Johnson	72159-01	1	1			
11	Power Cord, Red	72178-02-441	1	1			
12	Exhaust Filter Screen	72050-01-0327	1	1			
13	Bag Housing Gasket	72017-02	1	1			
14	Filter Bag, 12 Pack	PKBB12DW	1	12			
15	Complete Housing Door Assembly, Black	09-73014-51	1	1			
16	Dust Flap, Mylar	72088-01	1	1			
17	Housing Door Knob, Black	72090-01-0327	1	1			
18	Switch Label, Silver	72054-01	1	1			
48	Exhaust Deflector	72183-01-0327	1	1			
	BB900-DGB: Label, "Commercial", Blue	72177-02	1	1			
	BB900-DGR: Label, "Commercial", Red	72177-01	1	1			
	User's Manual	72191-02	1	1			

Accessories:

22	Slinky Hose, Black, Shurlok®	72046-05-0327	1	1			
23	Dusting Brush, Black	73027-01-0327	1	1			
24	Upholstery Tool, Black	72030-01-0327	1	1			
25	Crevice Tool, Black	72031-01-0327	1	1			
26	Adapter Tube, Black	73041-01-0327	1	1			
30	Tool Caddy, Black	72091-01-0327	1	1			
32	Floor Brush Nozzle, Black	D252	1	1			
33	Ratcheting Wand	73026-01-0327	1	1			
47	Adjustable Shoulder Strap	73010-01-0327	1	1			
49	D-Ring w/ Strap	72182-01	2	1			

Troubleshooting

NOTICE: Make sure the unit is unplugged before removing any part off the unit.

<p>1. Problem being checked:</p>

<p>a: Solution</p>

1. Unit Not Picking Up:

- a: Check hoses and attachments for clog.
- b: Change bag.

2. Noisy:

- a: Check flap for any debris. Remove any hard objects in bag.
- b: Motor fan may be off balance.

3. Unit Dead:

- a: If thermal protect on old motor is bad replace motor.
- b: If new motor, then unplug unit for 30 minutes; then try to restart. If unit does not come on then replace the manual reset thermal protect wire. If motor does not run, replace motor.
- c: Check switch for failure, if bad, replace switch.
- d: Check cord for failure, if bad, replace cord.

4. Unit Getting Over-Heated:

- a: Make sure motor is in place and not at an angle.
- b: Make sure motor has a thermal protect.
- c: Check bag.
- d: Check for obstructions in hose, door and/or accessories.
- e: Check for clog in rear filter.

An Oreck Authorized Service Center should do all technical servicing.

Additional accessories for all models

- Vinyl Tool Rack CADDYBB
- On Board Tool Caddy 72091-01-0327
- Crumb Snatcher SNATCH1
- Oreck Fresh Air® Tabs AIRTABS