



# **802.11b SIP Wi-Fi Phone VIP-190**

**User's manual**

## Copyright

Copyright (C) 2006 PLANET Technology Corp. All rights reserved.

The products and programs described in this User's Manual are licensed products of PLANET Technology, This User's Manual contains proprietary information protected by copyright, and this User's Manual and all accompanying hardware, software, and documentation are copyrighted.

No part of this User's Manual may be copied, photocopied, reproduced, translated, or reduced to any electronic medium or machine-readable form by any means by electronic or mechanical. Including photocopying, recording, or information storage and retrieval systems, for any purpose other than the purchaser's personal use, and without the prior express written permission of PLANET Technology.

## Disclaimer

PLANET Technology does not warrant that the hardware will work properly in all environments and applications, and makes no warranty and representation, either implied or expressed, with respect to the quality, performance, merchantability, or fitness for a particular purpose.

PLANET has made every effort to ensure that this User's Manual is accurate; PLANET disclaims liability for any inaccuracies or omissions that may have occurred.

Information in this User's Manual is subject to change without notice and does not represent a commitment on the part of PLANET. PLANET assumes no responsibility for any inaccuracies that may be contained in this User's Manual. PLANET makes no commitment to update or keep current the information in this User's Manual, and reserves the right to make improvements to this User's Manual and/or to the products described in this User's Manual, at any time without notice. If you find information in this manual that is incorrect, misleading, or incomplete, we would appreciate your comments and suggestions.

## CE mark Warning

The is a class B device, In a domestic environment, this product may cause radio interference, in which case the user may be required to take adequate measures.

## WEEE Warning



To avoid the potential effects on the environment and human health as a result of the presence of hazardous substances in electrical and electronic equipment, end users of electrical and electronic equipment should understand the meaning of the crossed-out wheeled bin symbol. Do not dispose of WEEE as unsorted municipal waste and have to collect such WEEE separately.

## Trademarks

The PLANET logo is a trademark of PLANET Technology. This documentation may refer to numerous hardware and software products by their trade names. In most, if not all cases, their respective companies claim these designations as trademarks or registered trademarks.

## Revision

User's Manual for PLANET 802.11b Wi-Fi Phone VIP-190r:

Model: VIP-190

Rev: 1.0 (2006, March)

Part No. EM-VIP\_190V1

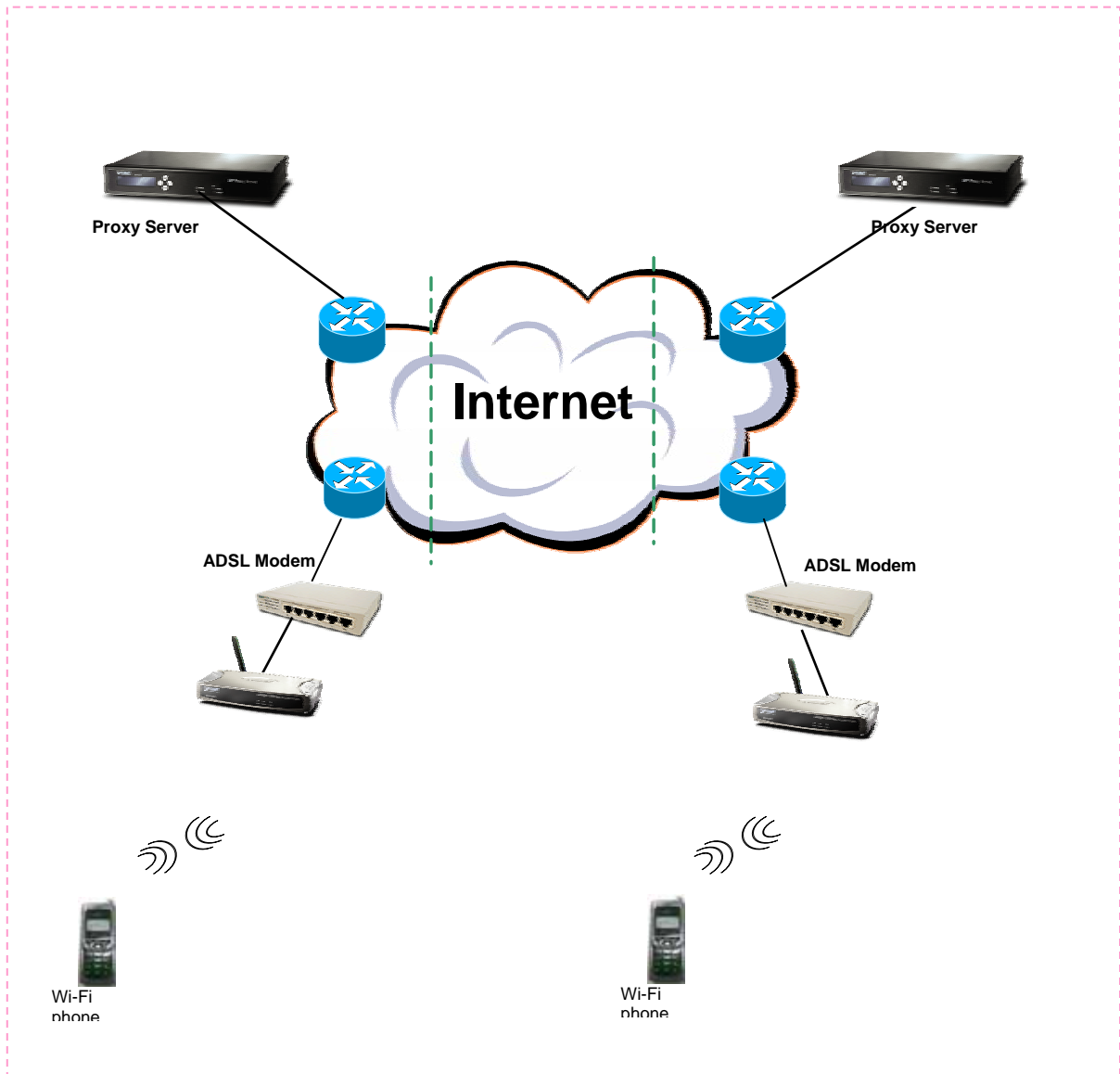
## Contents

1.	Introduction.....	5
2.	Getting Started .....	6
2.1.	Package Contents .....	6
2.2.	Keypad .....	6
2.3.	Turn On/Off the Power .....	7
2.4.	Load Default IP Address .....	7
2.5.	Enter Administrative Mode.....	8
2.6.	Locking & Unlocking the Keypad.....	8
2.7.	Adjusting the Speaker Volume.....	9
2.8.	Selecting the Character Mode.....	9
2.9.	Erasing the Character Mode.....	9
3.	Configuring Network Environment.....	10
3.1.	Network Configuration .....	10
3.1.1.	Fixed IP	10
3.1.2.	DHCP	11
3.1.3.	PPPoE	12
3.2.	Wireless Configuration .....	13
3.2.1.	Wireless LAN Settings.....	13
3.2.1.1.	Wireless LAN.....	13
3.3.	SIP Configuration.....	16
3.3.1.	Registrar IP Settings.....	16
3.3.2.	Outbound Proxy Settings .....	17
3.3.3.	SIP Proxy Server Settings .....	18
3.3.4.	Setting up the User Account.....	19
3.4.	Using the Phonebook .....	20
3.4.1.	Searching Phonebook Entries - Edit Entry .....	20
3.4.2.	Searching Phonebook Entries - Erase Entry .....	21
3.4.3.	Searching Phonebook Entries – Speed dial Entry.....	22
3.4.4.	Adding a Phonebook Entry .....	23
3.4.5.	Erasing Phonebook Entries - One By One.....	24
3.4.6.	Erasing Phonebook Entries - All.....	25
3.5.	Call History .....	26
3.5.1.	Missed Call .....	26
3.5.2.	Received Call .....	27
3.5.3.	Dialed Call .....	28
3.5.4.	Erasing Call.....	29
3.6.	Settings.....	30
3.6.1.	Setting the Ring Melody .....	30
3.6.2.	Setting the Vibration Mode .....	31
3.6.3.	Adjusting the Ring Volume.....	31
3.6.4.	Setting the Time .....	32
3.6.5.	Setting the Date.....	32
3.6.6.	Setting the Banner.....	33
3.6.7.	Setting the Key Lock.....	33

3.6.8.	Don't Disturb .....	34
4.	Web Configuration.....	35
4.1.	Login Password.....	35
5.	Basic Phone Tasks.....	36
5.1.	Dialing a Phone Number.....	36
5.2.	Redialing a Phone Number .....	36
5.3.	Answering a Call.....	36
6.	Display Messages .....	37
6.1.	Error Messages.....	37
6.2.	Warning Messages .....	38

# 1. Introduction

This is an Administrator's manual describing the VIP-190 (Wi-Fi Phone in the following term) running in Administrative mode. Before using Wi-Fi Phone, some setup processes are required to make the phone work properly. You should at least setup the IP address of Wi-Fi Phone and router when DHCP is disabled. When DHCP server is available, you can skip the process of setting up the Wi-Fi Phone IP address.



*Figure 1.1 Network connections for Wi-Fi Phone*

## 2. Getting Started

Please check the following before using the Wi-Fi Phone:

- Package contents
- How to install and remove the battery
- How to charge the battery
- How to turn on/off the device

### 2.1. Package Contents

You should find the following contents in your Wi-Fi Phone package:

- Wi-Fi Phone x1
- Standard battery x1
- Wi-Fi Phone User's Guide x1
- Power Supply (AC adapter) x1

If any of these items are missing or damaged, please contact your distributor or sales representative immediately.


### 2.2. Keypad



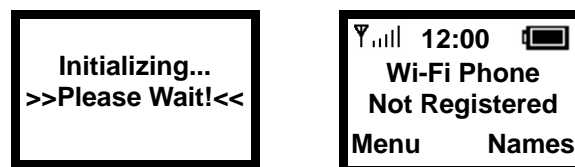
*Figure 2.2-1 Wi-Fi Phone*

<i>KEY</i>	<i>DESCRIPTION</i>
Soft key 1	This key is used for making selections on the bottom left side of the phone LCD, such as: Menu, Select, OK... Its current function is indicated by the word appearing above the key.
Soft key 2	This key is used for making selections on the bottom right side of the phone LCD, such as: Names, Back, Clear... Its current function is indicated by the word appearing above the key.
Arrow keys	Use the arrow keys to navigate through your phone's menus and submenus, as well as your Phonebook. The up / down arrow keys are also used for selecting the character mode: A, a, 1, @.
Talk Key	Use this key to answer a call or make a call.
End Key / Power Key	Use this key to end a call, reject a call or return to Standby mode. Press and hold this key for two seconds to switch off / switch on the phone.
Numerical / special keys	Use to enter numbers, characters or special characters.

## 2.3. Turn On/Off the Power

To turn on/off the power, press and hold the “” key for approximately 2 seconds.

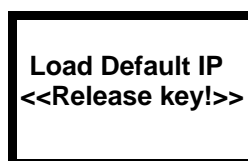
The phone enters the “standby” mode; Main Screen is displayed as shown in Figure 2.3-1



*Figure 2.3-1 Standby Mode*




## 2.4. Load Default IP Address

1. Turn of the power.
2. Press and hold the “” + “” keys for about 2 seconds to load the default IP address. Wi-Fi Phone will reset to the default IP address (192.168.0.6).



*Figure 2.4-1 Load default IP*

## 2.5. Enter Administrative Mode

1. Turn of the power.
2. Press the “” + “” + “” keys and hold till the <ENGINEER MENU> is shown on the LCD screen. Then release the keys.
3. In approximately 10 seconds, you will enter the main screen of the administrative mode.

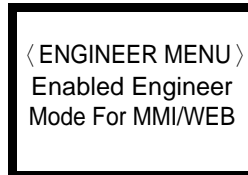



Figure 2.5-1 Administrative Mode

## 2.6. Locking & Unlocking the Keypad

Follow these steps to lock & unlock the keypad:

1. In idle state, hold the  key over 2 seconds or wait over 1 minute. The keypad will be locked, as shown in Figure 2.6-1.

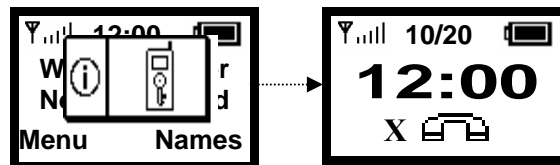


Figure 2.6-1 Keypad Locked

2. To release, press and hold the  key for approximately 2 seconds and the message will appear prompting you to confirm, the procedure like Figure 2.6-2.

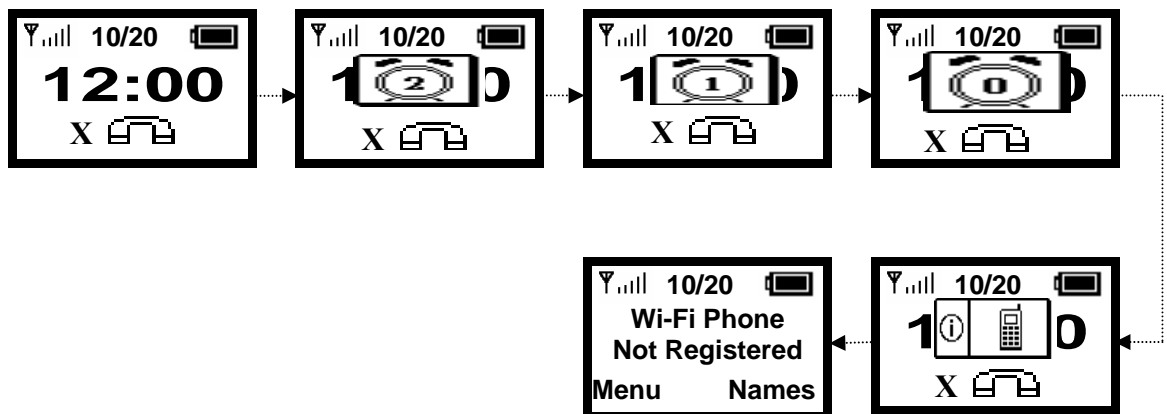


Figure 2.6-2 Keypad Unlocked



3. When locking, press any key would show, Figure 2.6-3.

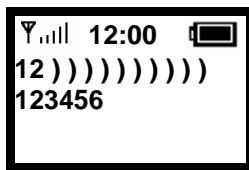


*Figure 2.6-3 Keypad Locked*

## 2.7. Adjusting the Speaker Volume

During conversation, press the ” ⌘ “ key to increase the volume.

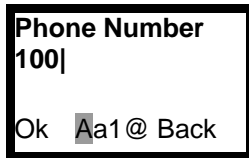
To decrease the volume, during conversation, press the ” ⌘ “ key. See Figure 2.7-1.



*Figure 2.7-1 Adjusting the Speaker Volume*

## 2.8. Selecting the Character Mode

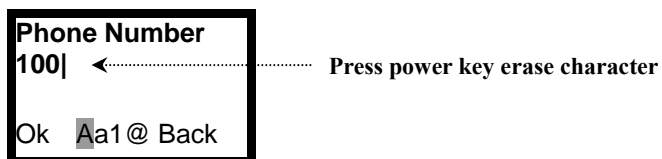
Use the up / down arrow keys (▲ / ▼) to select the character mode: capital or lowercase characters, numbers or special characters (A, a, 1, @). See Figure 2.8-1.



*Figure 2.8-1 Selecting the Character Mode*

## 2.9. Erasing the Character

When editing , press “  “ key would erase character . See Figure 2.9-1.



*Figure 2.9-1 Erasing the Character Mode*

# 3. Configuring Network Environment

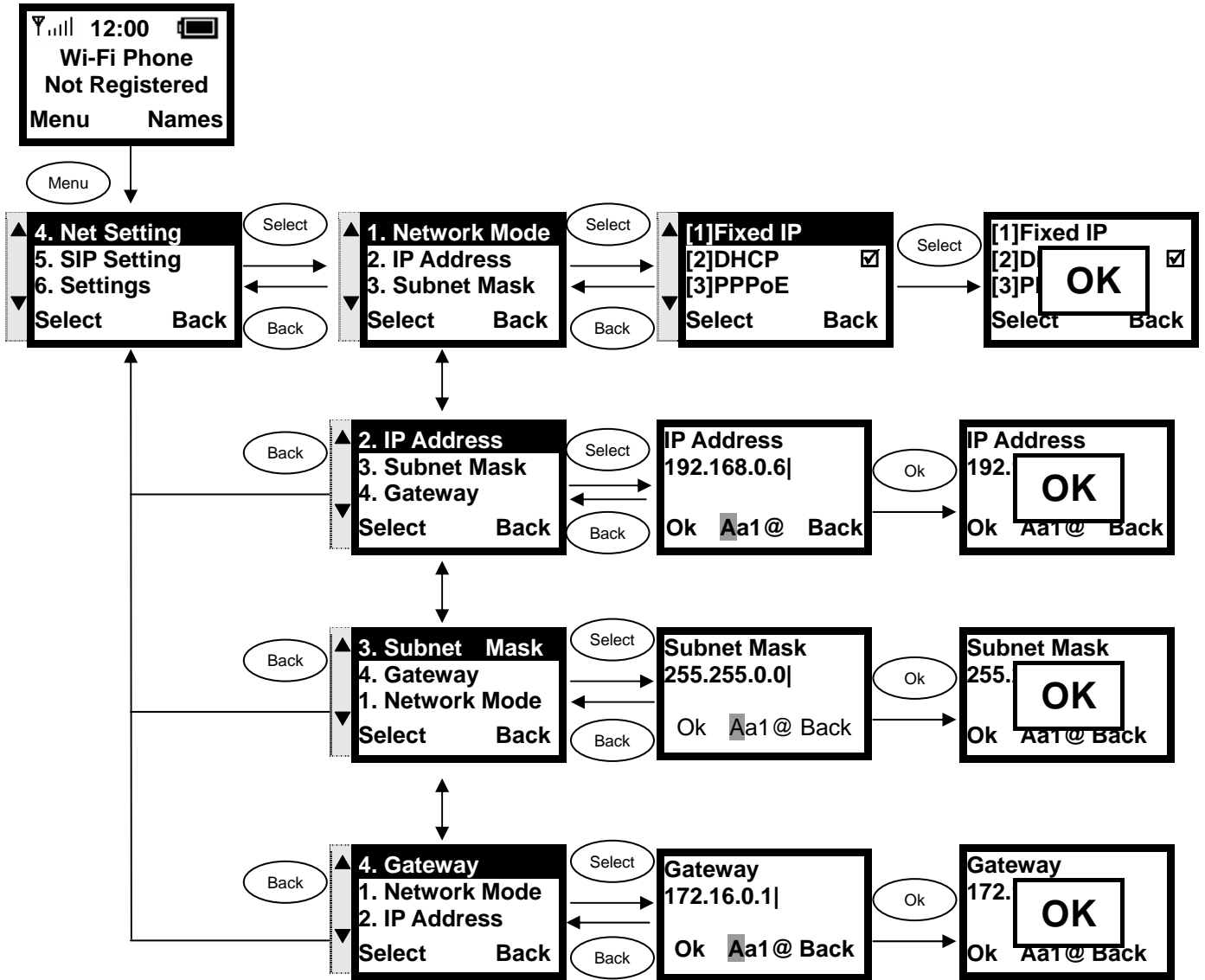
This chapter explains how to modify the network environment.

## 3.1. Network Configuration

This section introduces modifications to the network information.

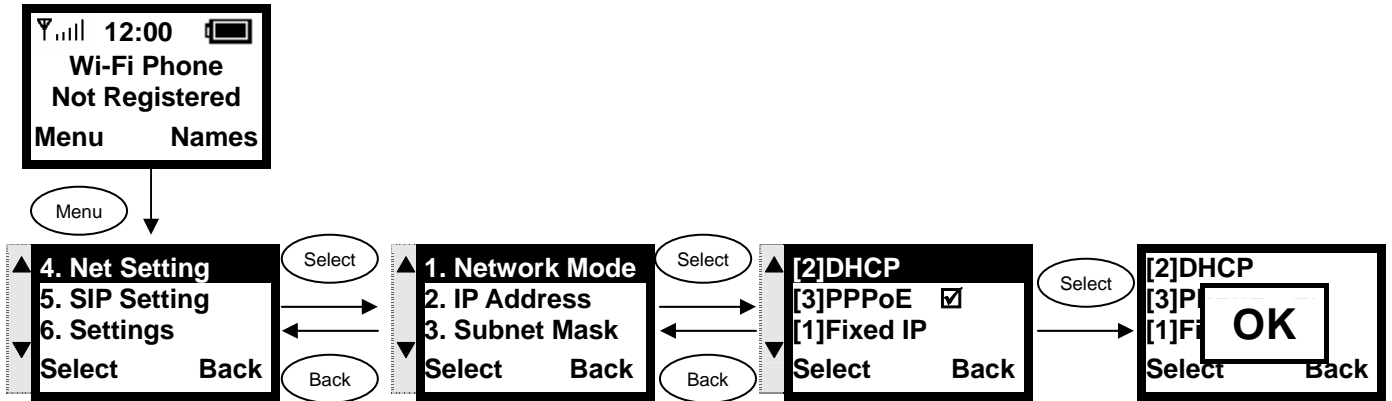
### 3.1.1. Fixed IP

This section introduces how to select Fixed IP.



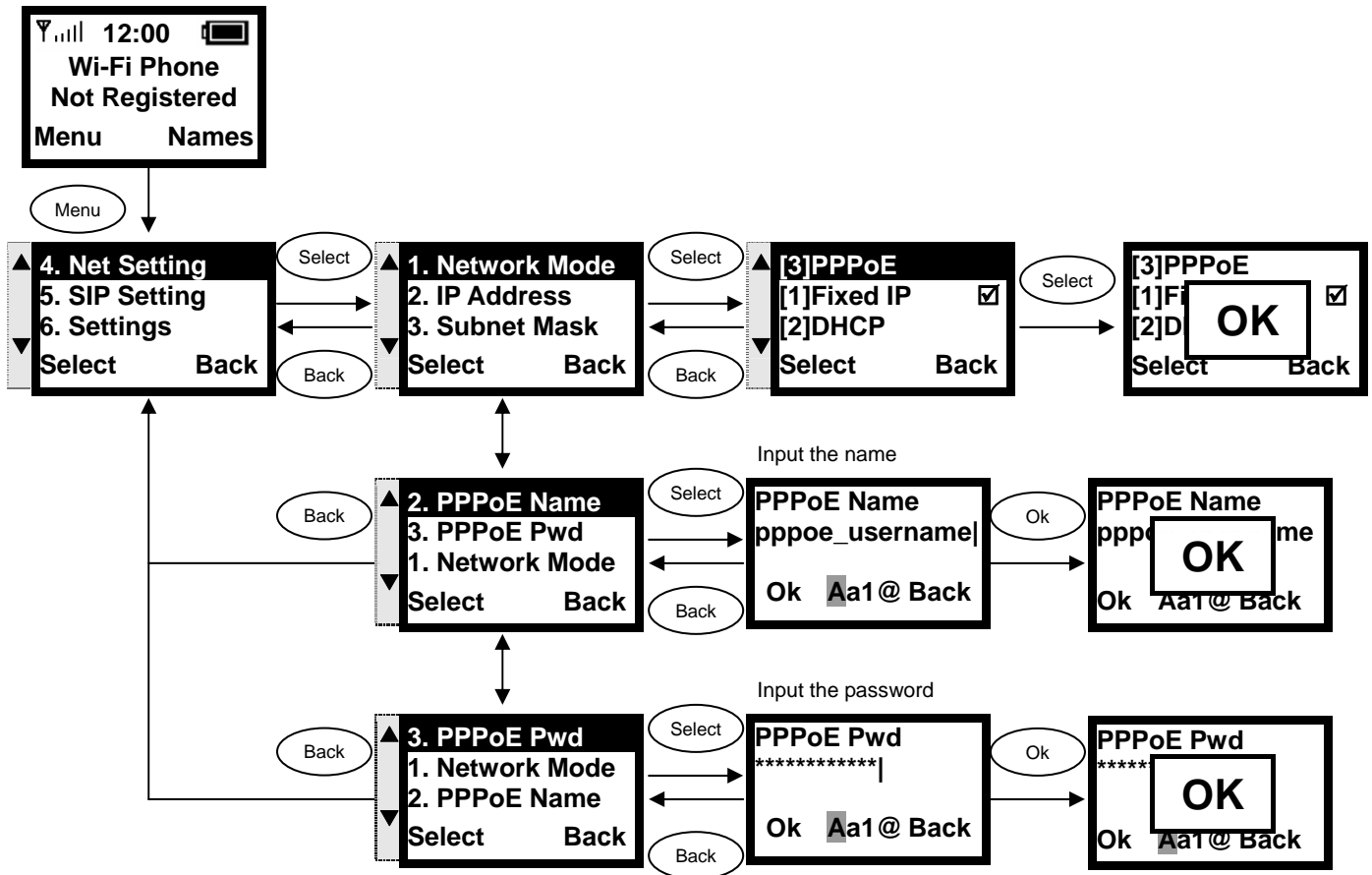
### 3.1.2. DHCP

This section provides instructions for performing the DHCP settings. The Dynamic Host Configuration Protocol (DHCP) client provides a mechanism for allocating IP address dynamically so that addresses can be reused when hosts no longer need them.



### 3.1.3. PPPoE

The Point-to-Point Protocol over Ethernet (PPPoE) provides more than just IP address assignment, which is the primary purpose of DHCP (assigning a unique and available IP address based upon a unique network adapter address). PPPoE also allows for the movement of TCP/IP traffic between two known points. It requires a username and password to log on.



## 3.2. Wireless Configuration

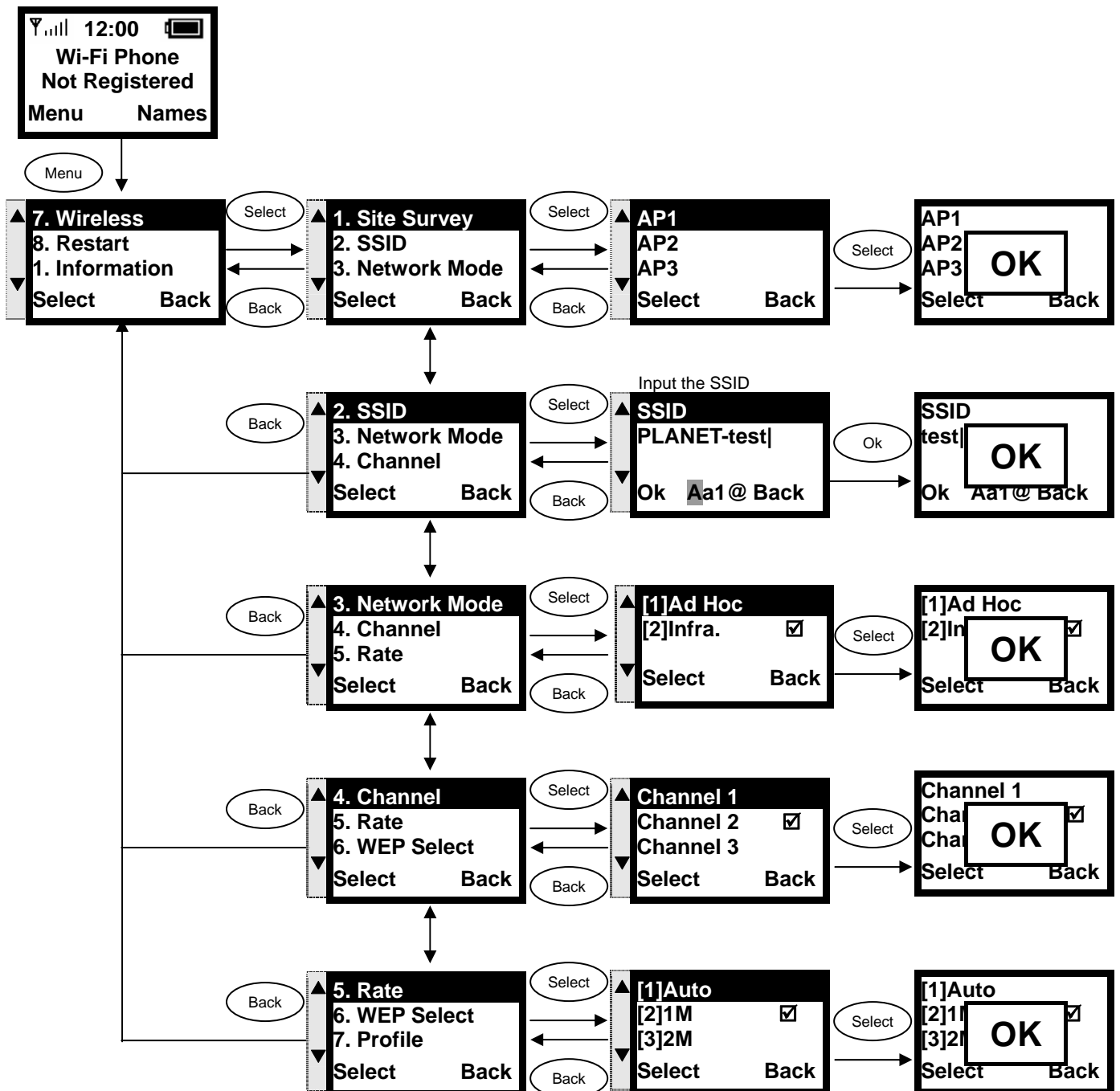
This section provides instructions for configuring the wireless, 802.11b, configuration submenu.

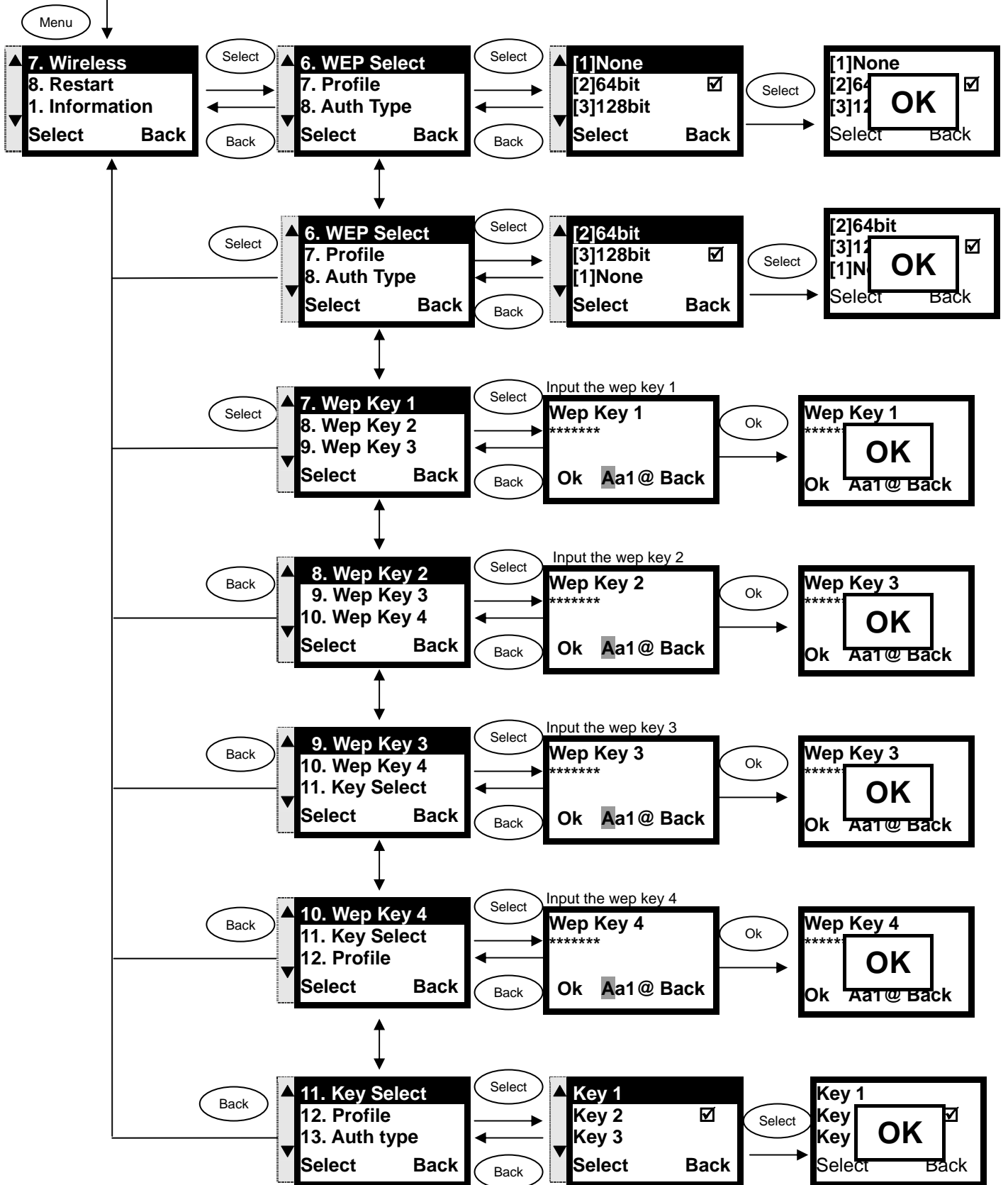
### 3.2.1. Wireless LAN Settings

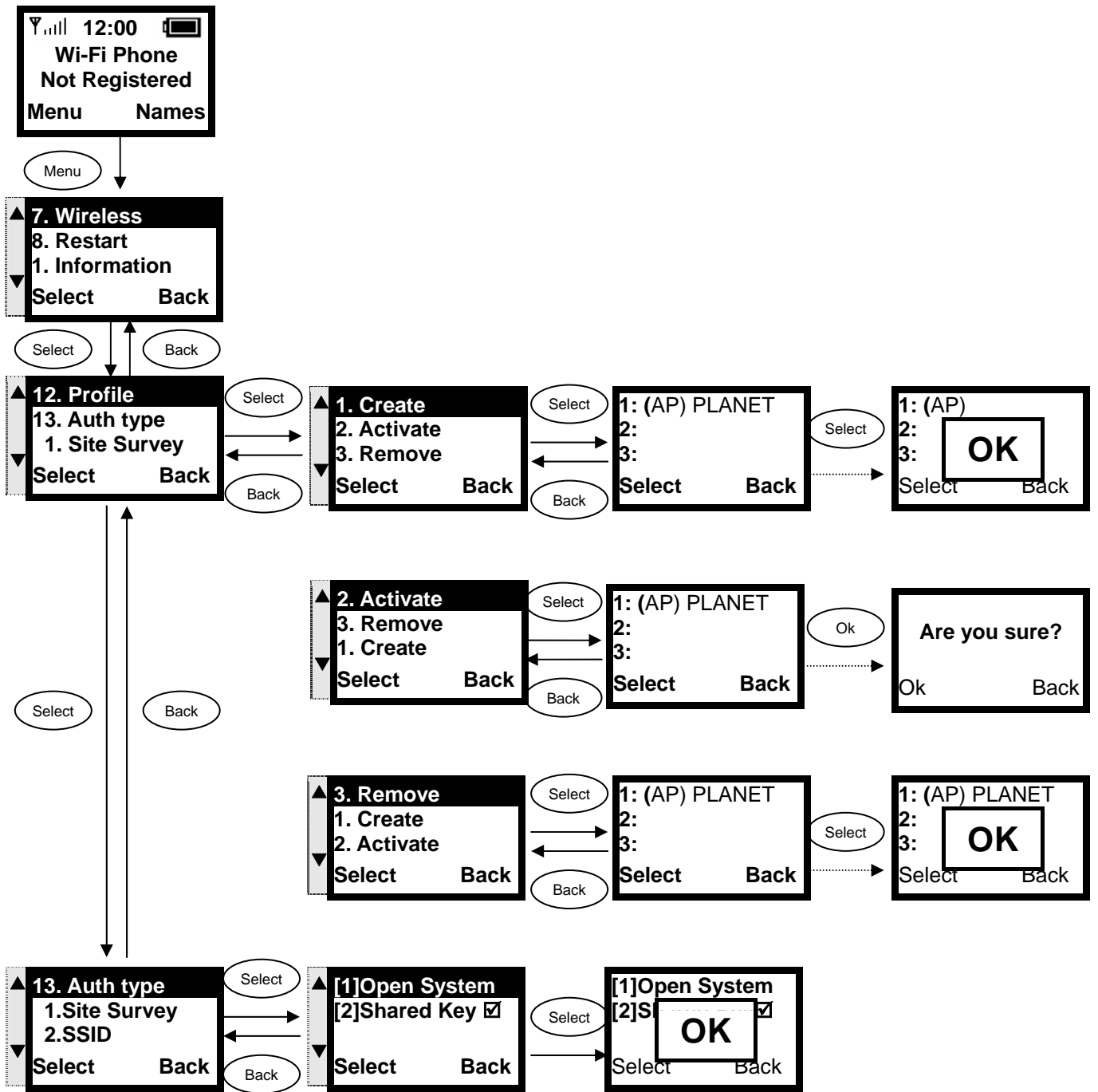
This section explains the following:

- Scanning for the Wireless Service Set Identifier
- Making wireless settings
- Setting up WEP Keys (Wireless Equivalent Privacy Keys)

#### 3.2.1.1. Wireless LAN



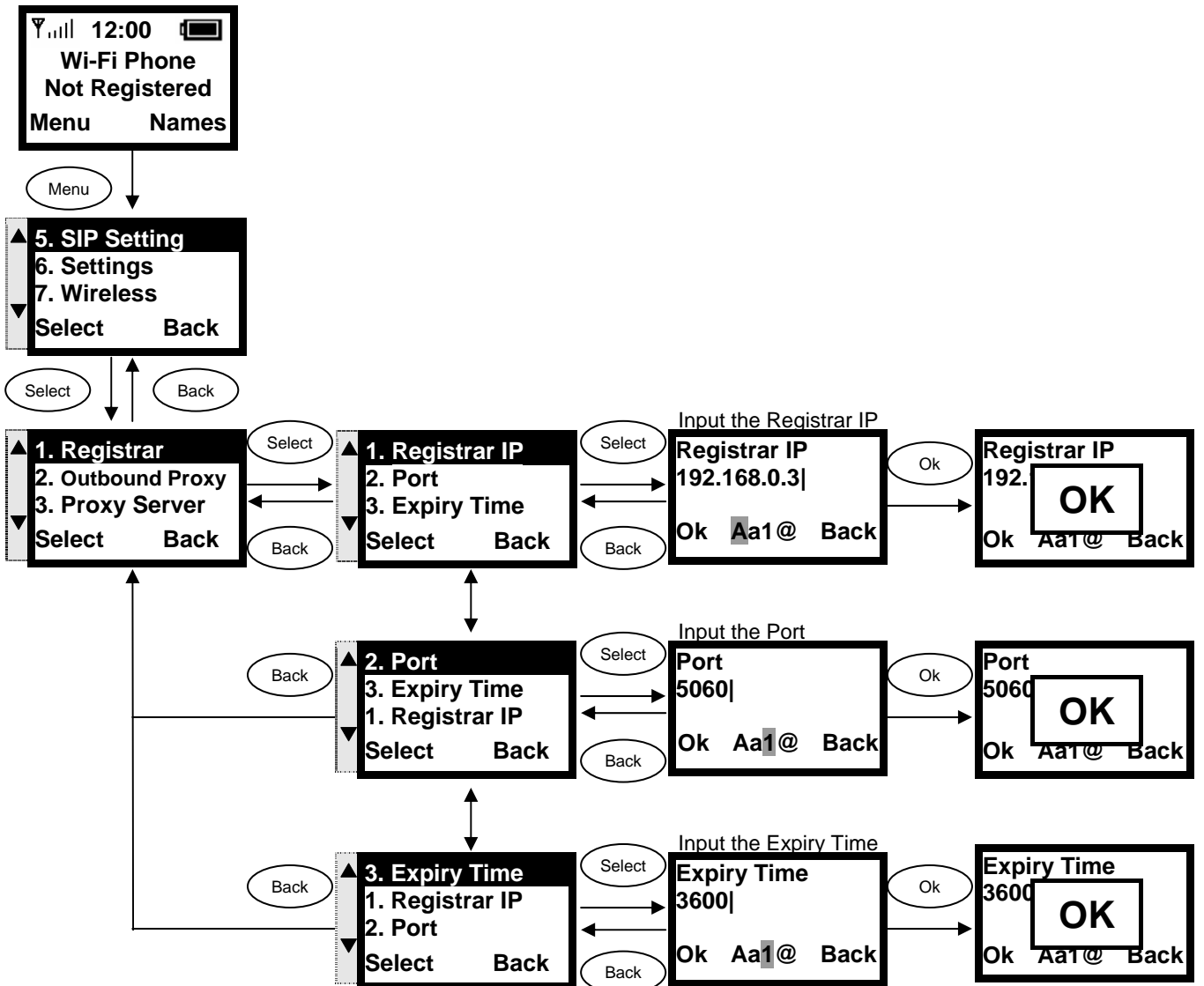




### 3.3. SIP Configuration

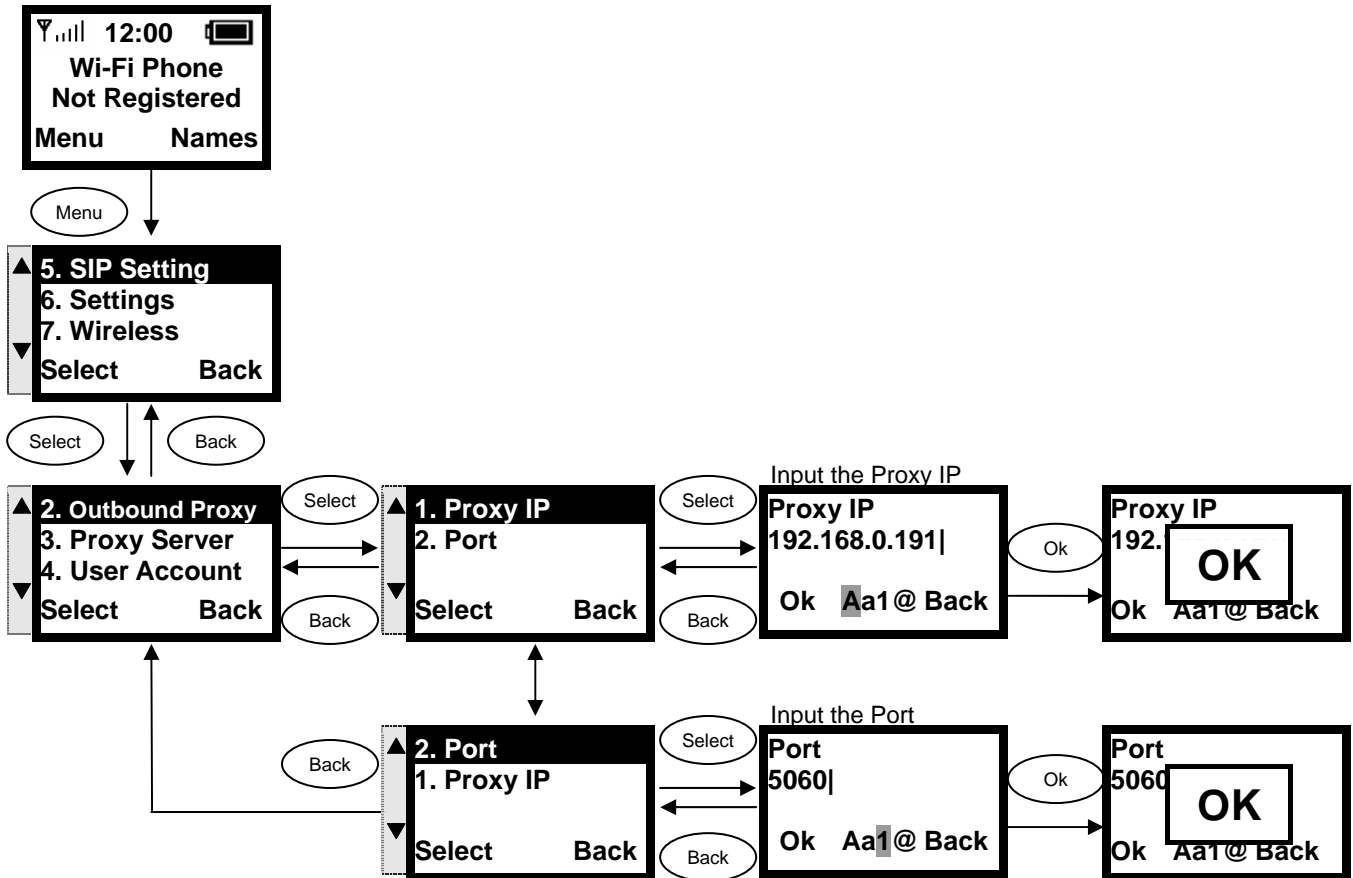
This section provides information on the Session Initiation Protocol (SIP) settings. Please note that you have to configure both, Registrar Server , SIP Proxy Server and Outbound Proxy.

#### 3.3.1. Registrar IP Settings

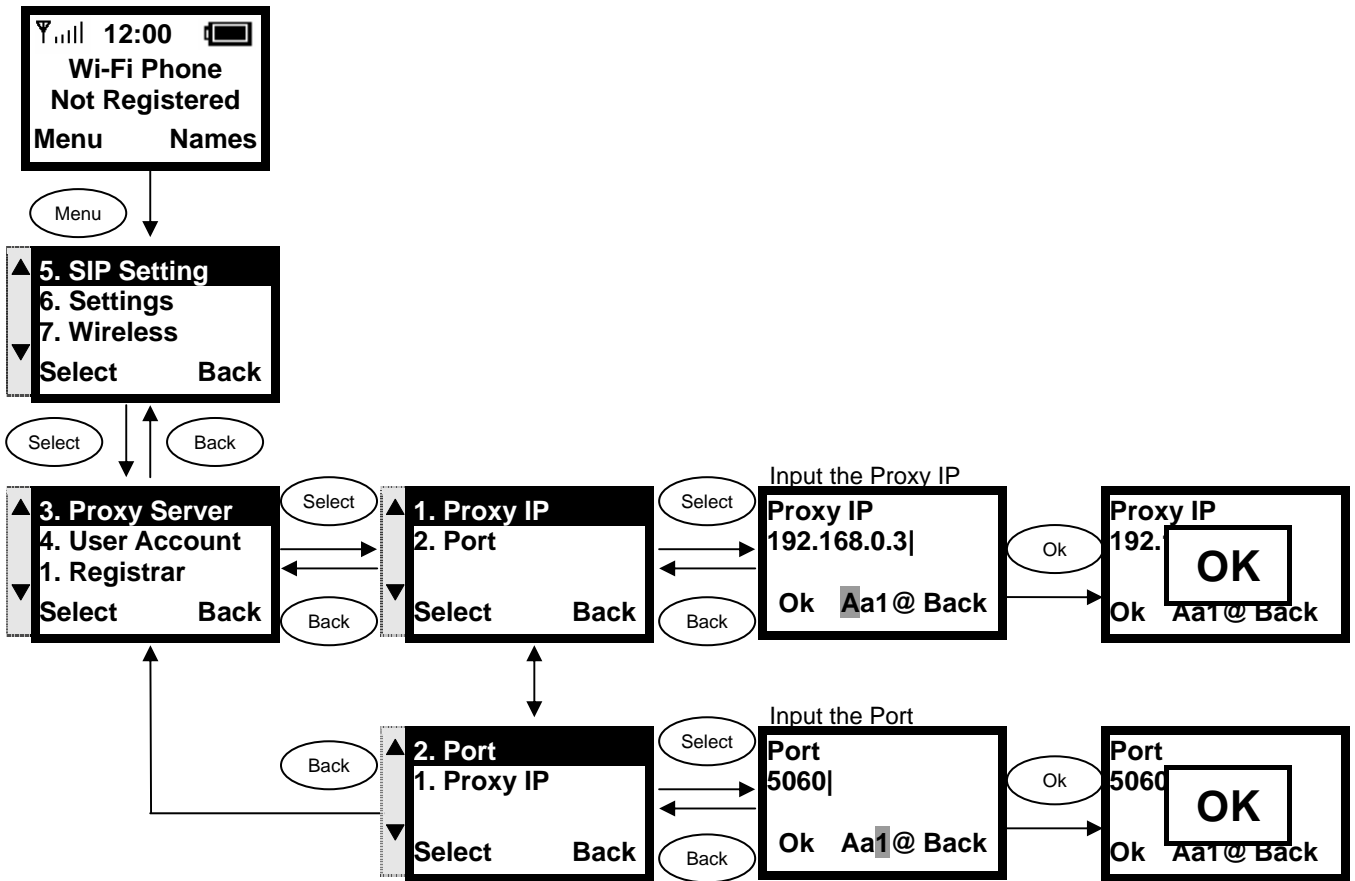




### 3.3.2. Outbound Proxy Settings

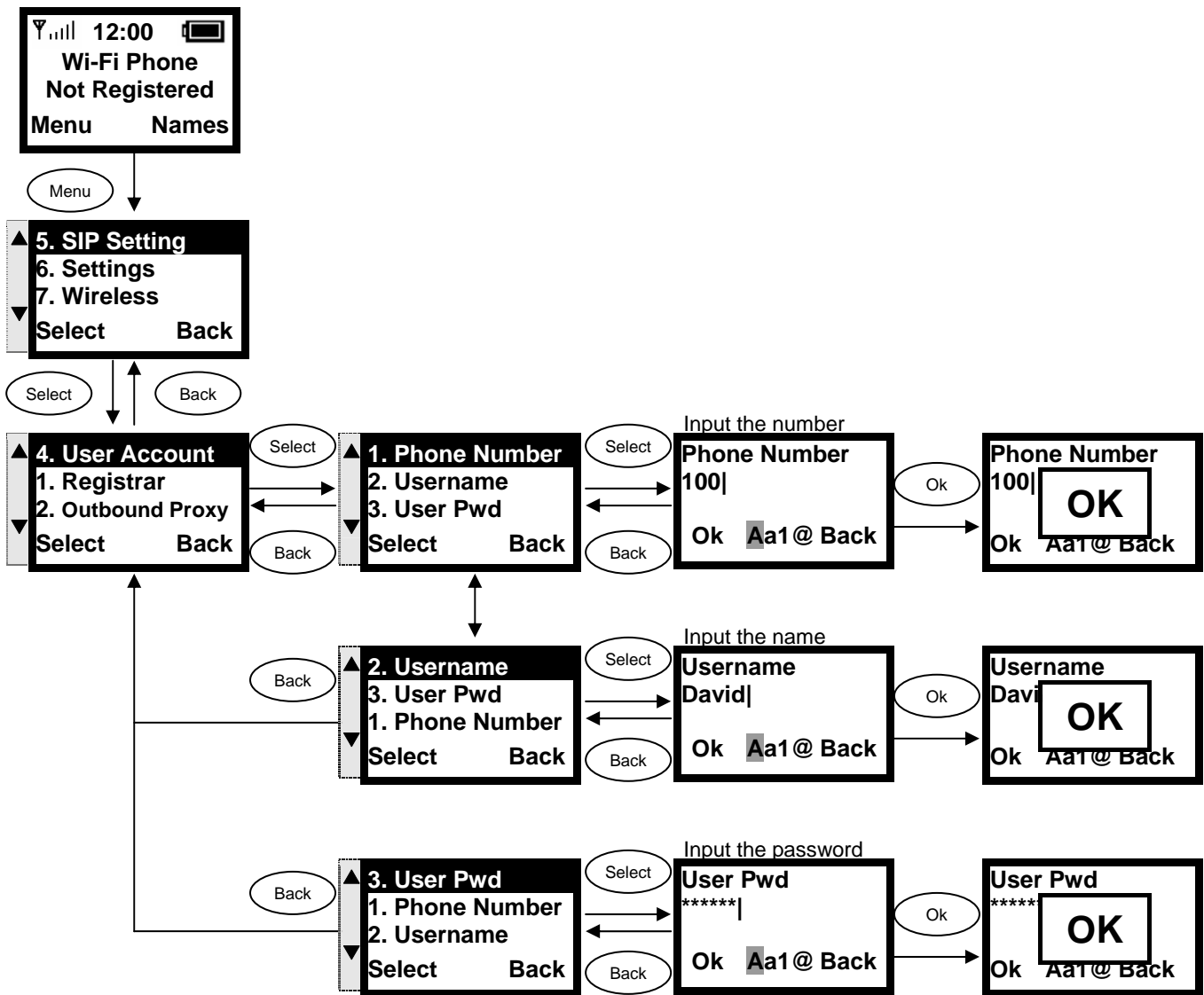


### 3.3.3. SIP Proxy Server Settings



### 3.3.4. Setting up the User Account

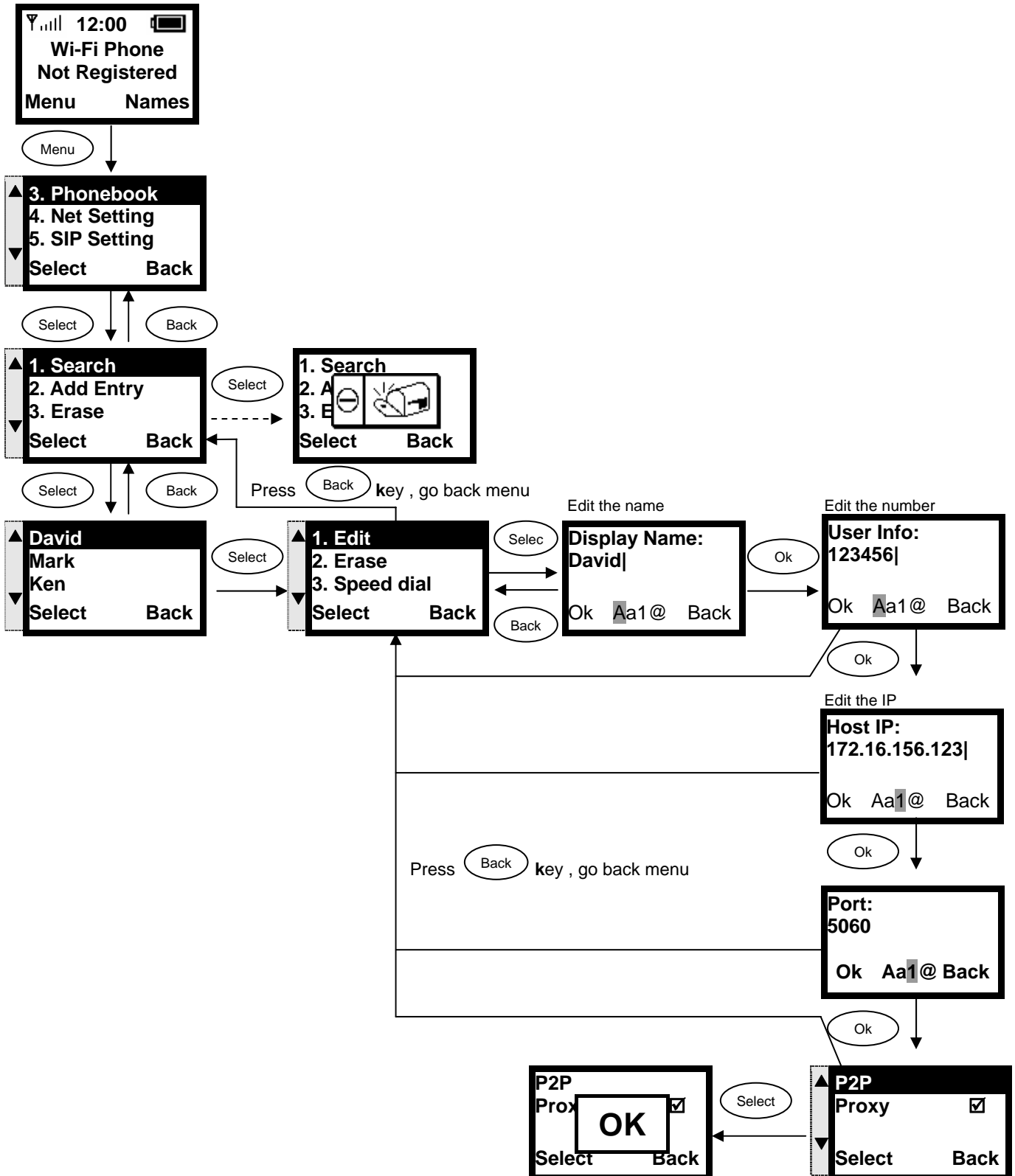
This section explains how to set up your phone number, username and password you will be using to connect to the SIP server.



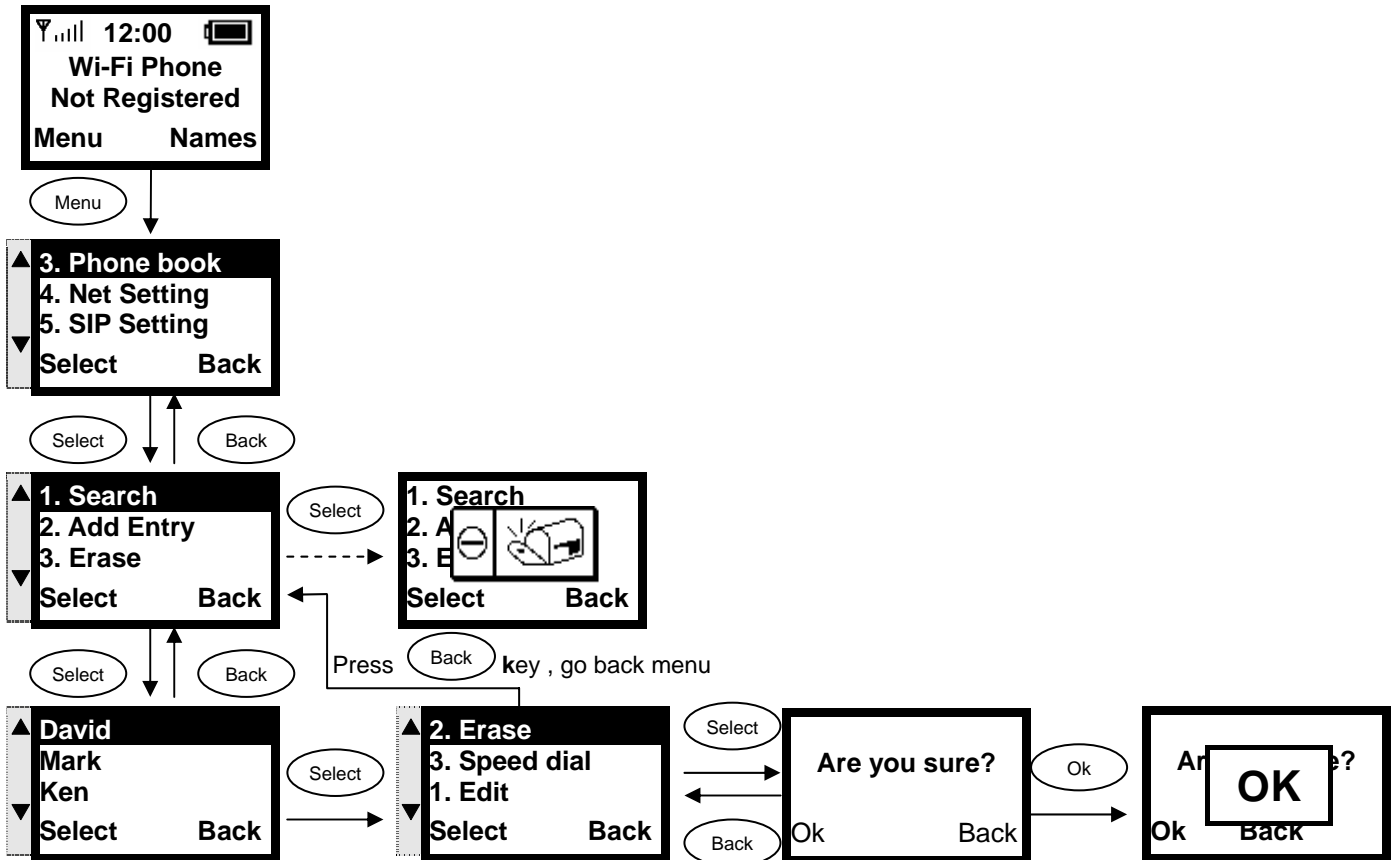
## 3.4. Using the Phonebook

This section provides information about accessing the phonebook and using its features.

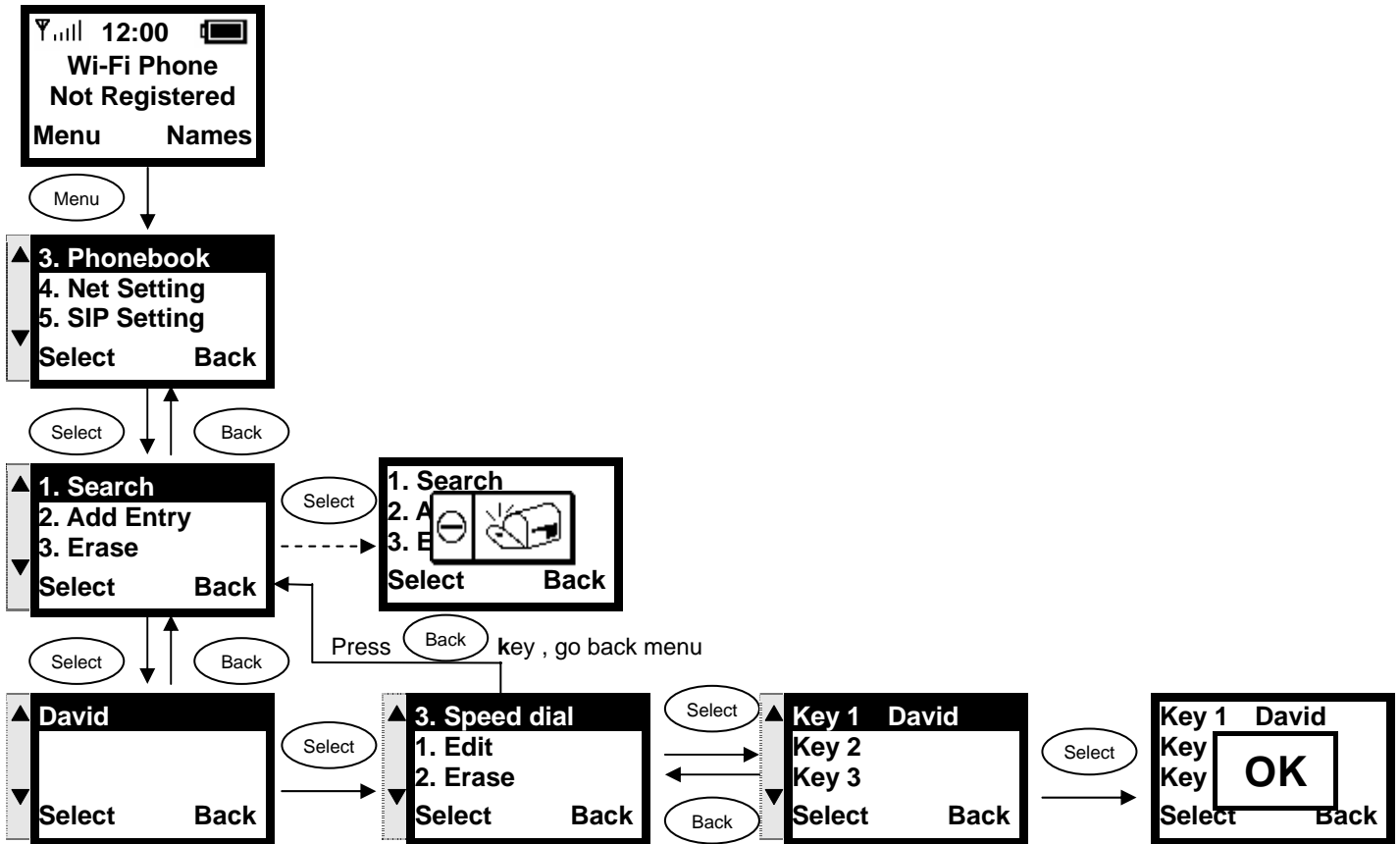
### 3.4.1. Searching Phonebook Entries - Edit Entry



### 3.4.2. Searching Phonebook Entries - Erase Entry

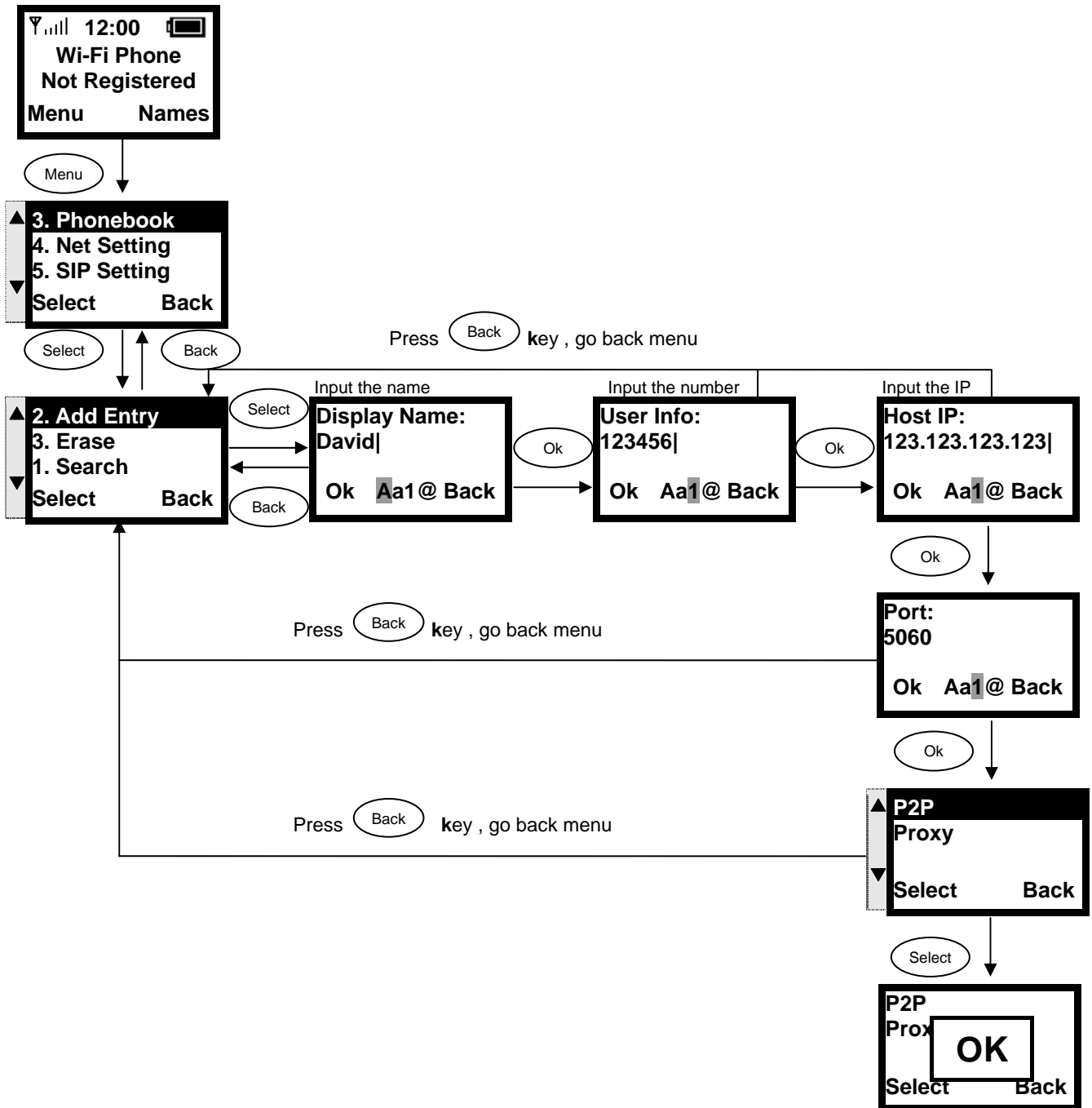


### 3.4.3. Searching Phonebook Entries – Speed dial Entry



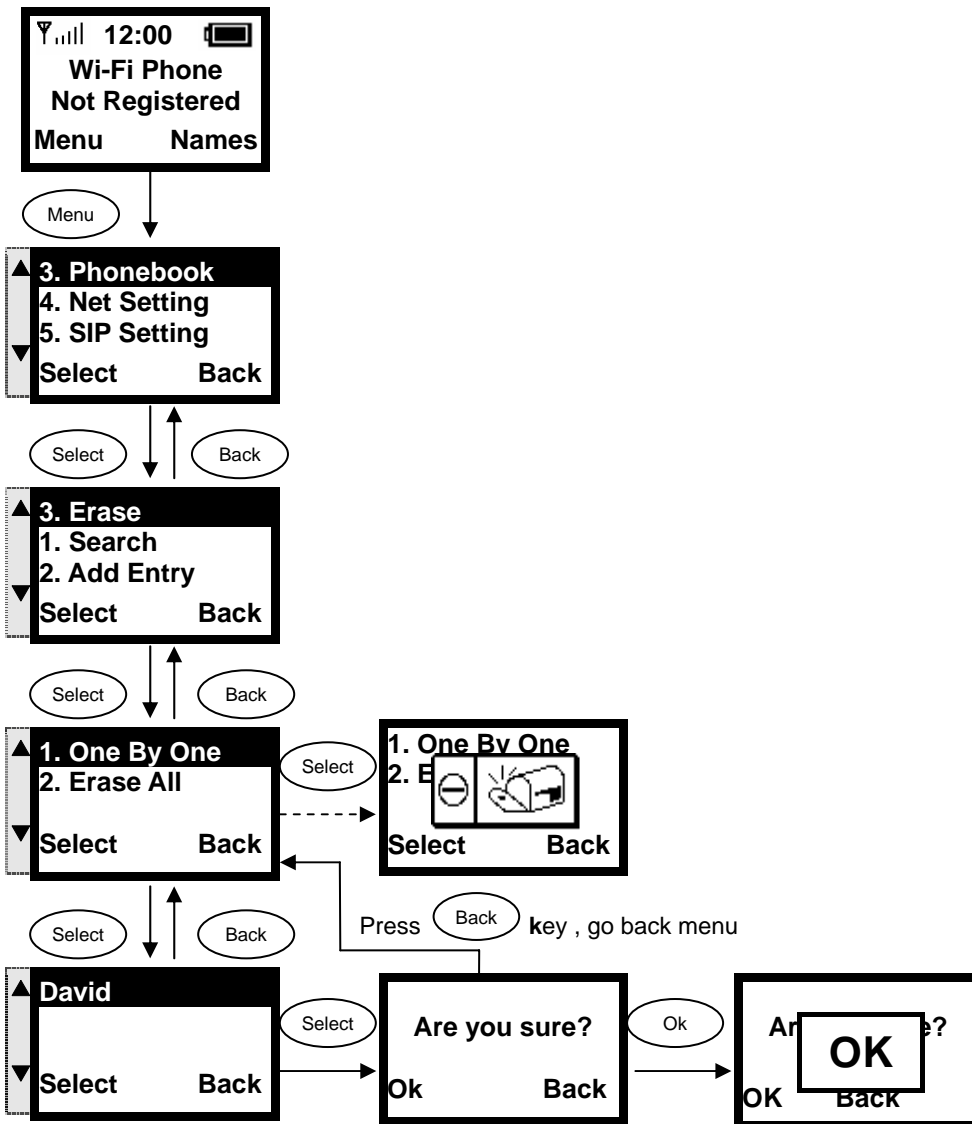
### 3.4.4. Adding a Phonebook Entry

This section provides information on adding a new entry in your Phonebook.



### 3.4.5. Erasing Phonebook Entries - One By One

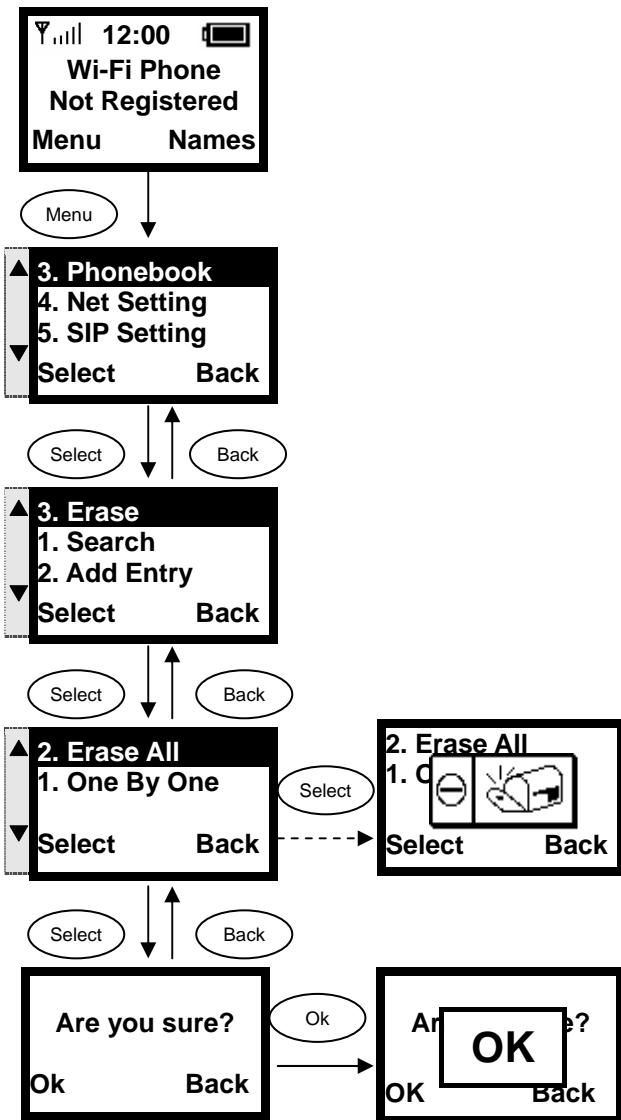
This section explains how to erase an existing entry from your Phonebook.





### 3.4.6. Erasing Phonebook Entries - All

This section explains how to erase all entries from your Phonebook.

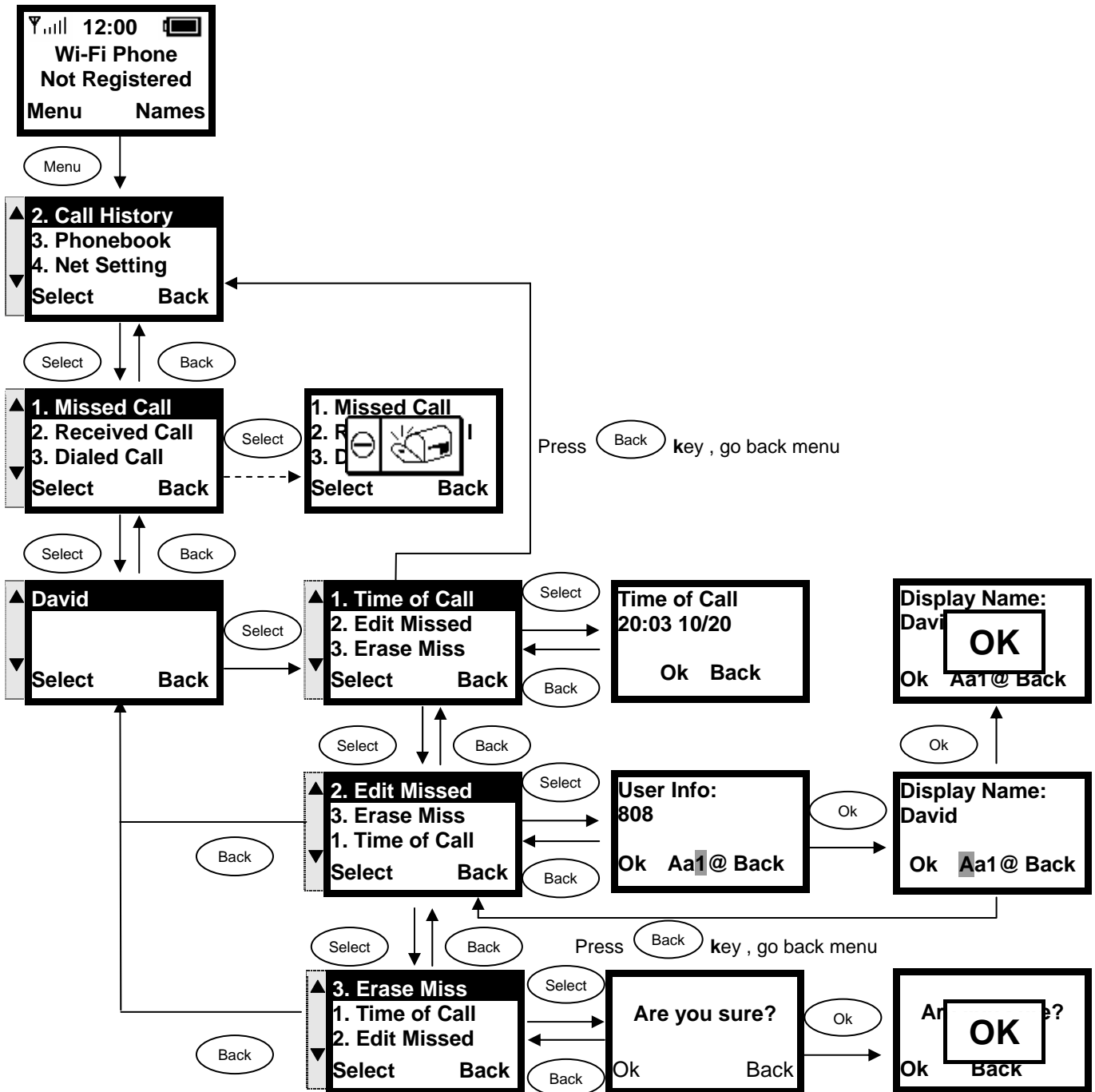


# 3.5. Call History

Call History is a useful feature for checking missed calls, received calls, and dialed calls.

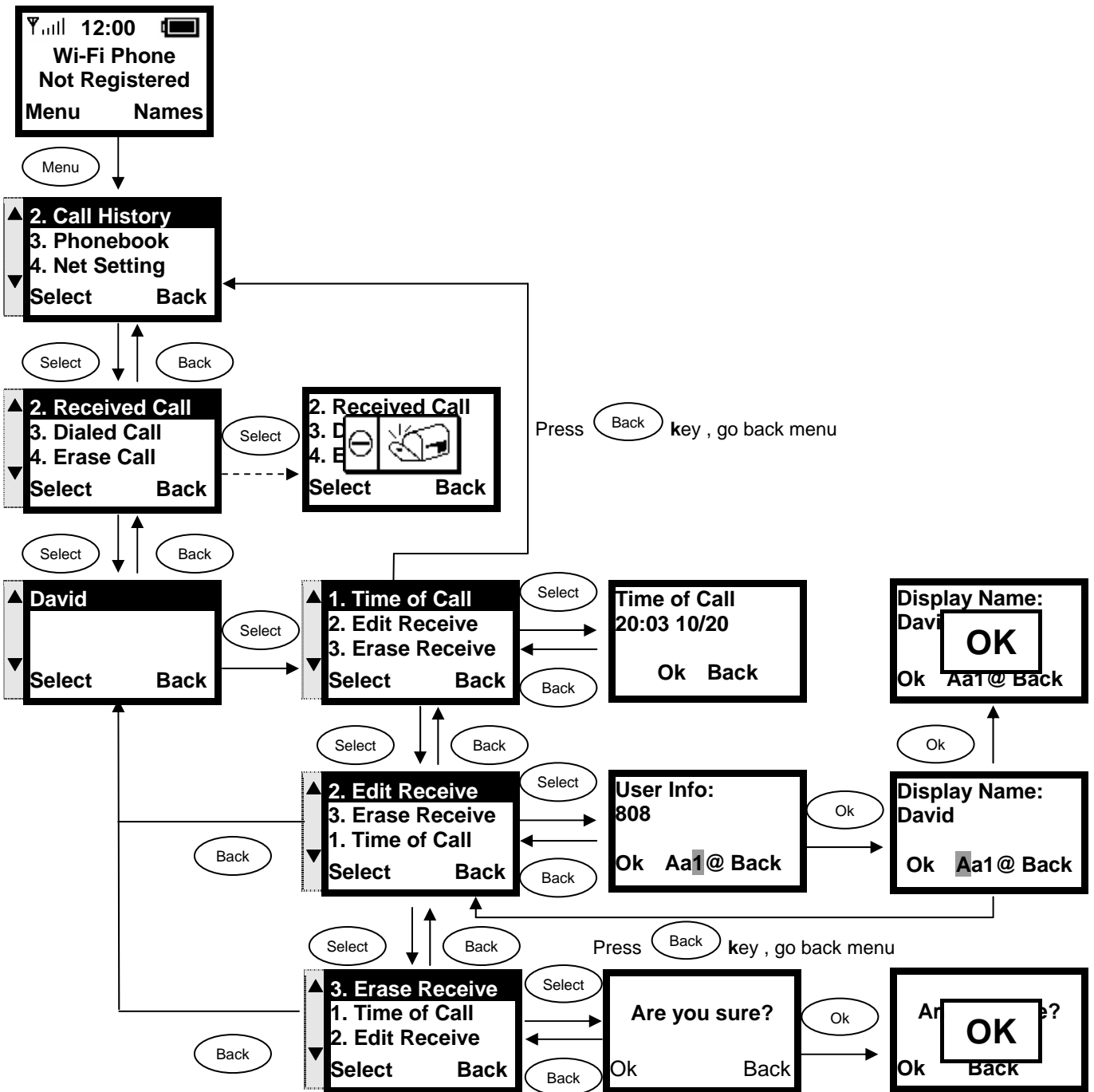
## 3.5.1. Missed Call

This option allows you to check for missed calls, then edit, save and dial the selected phone number.



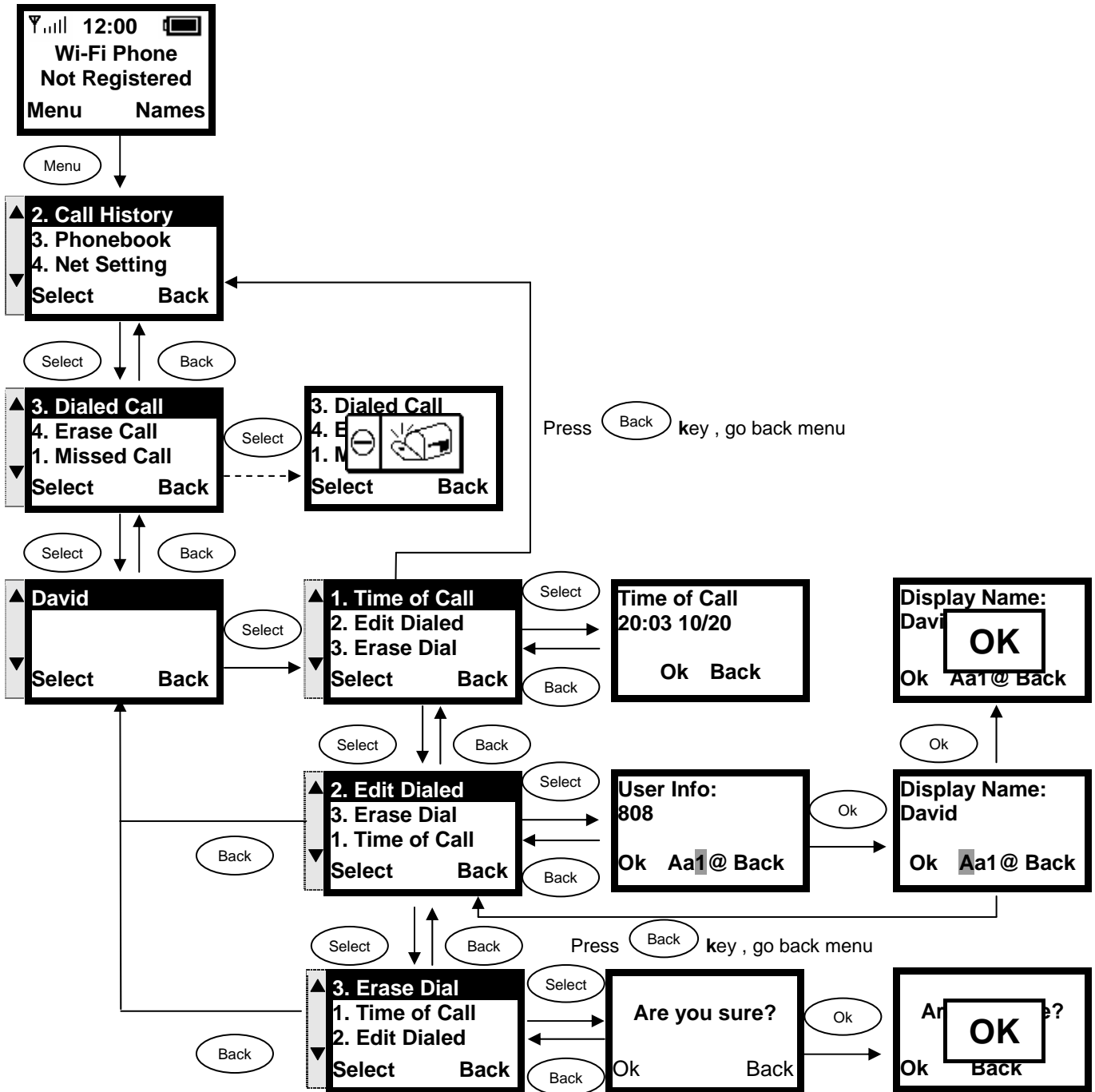
### 3.5.2. Received Call

This option allows you to check for received calls, then edit, save and dial the selected phone number.

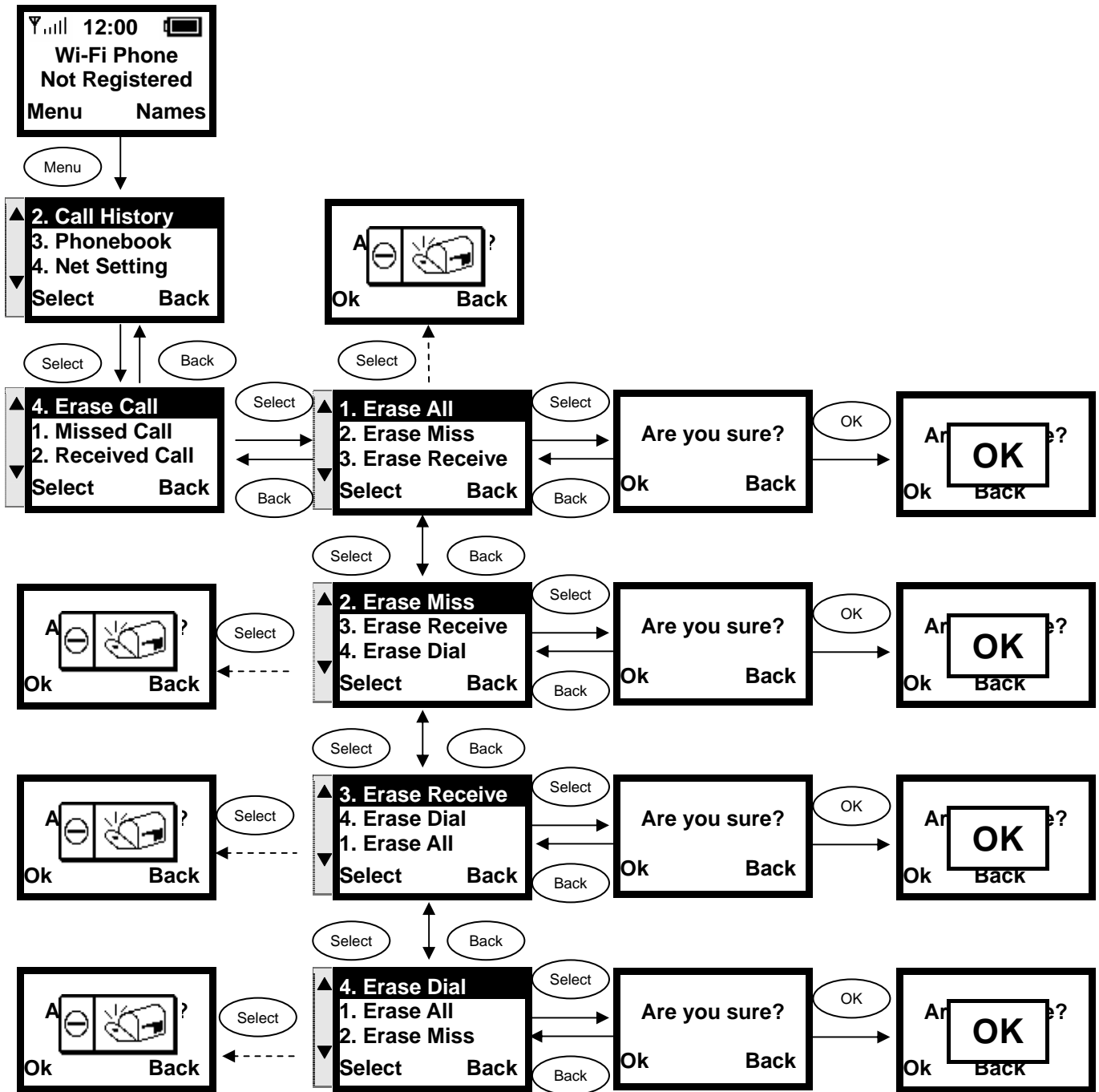


### 3.5.3. Dialed Call

This option allows you to check for dialed calls, then edit, save and dial the selected phone number.



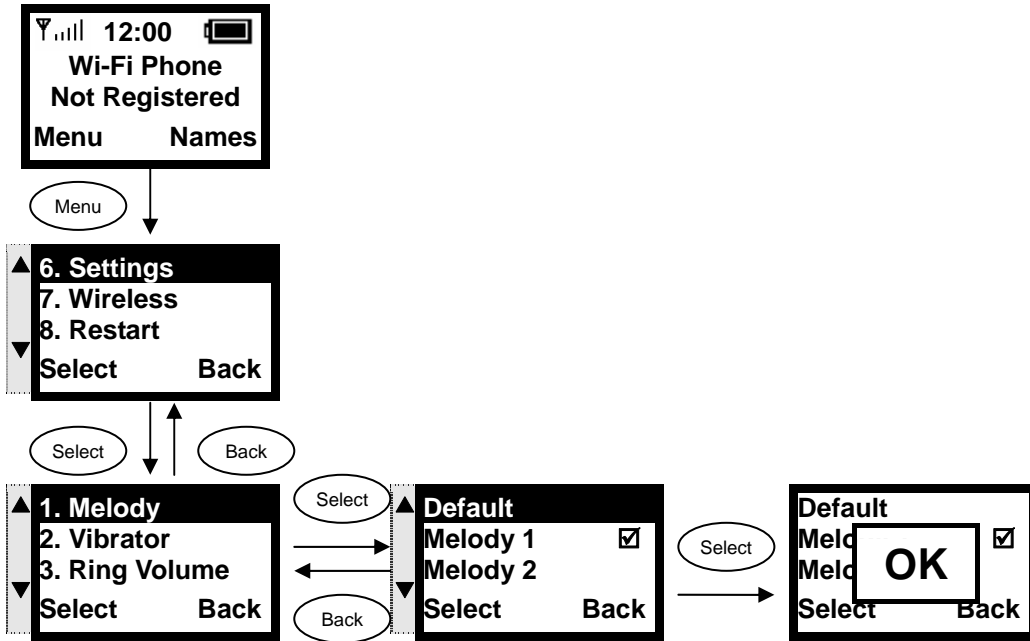
### 3.5.4. Erasing Call



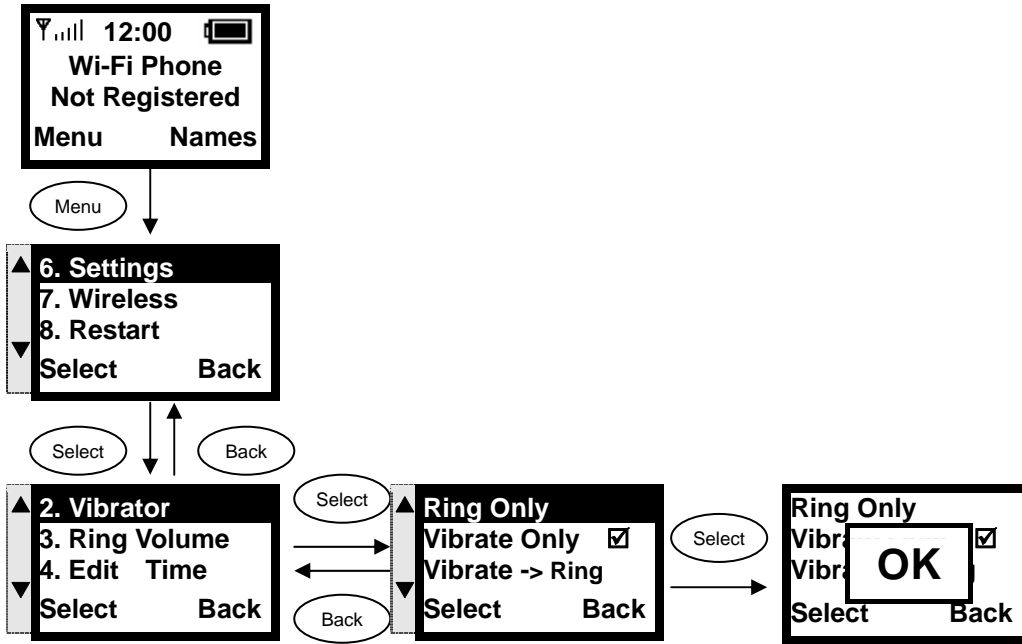
## 3.6. Settings

This section describes how to modify melody, ring volume, time, banner, etc.

### 3.6.1. Setting the Ring Melody

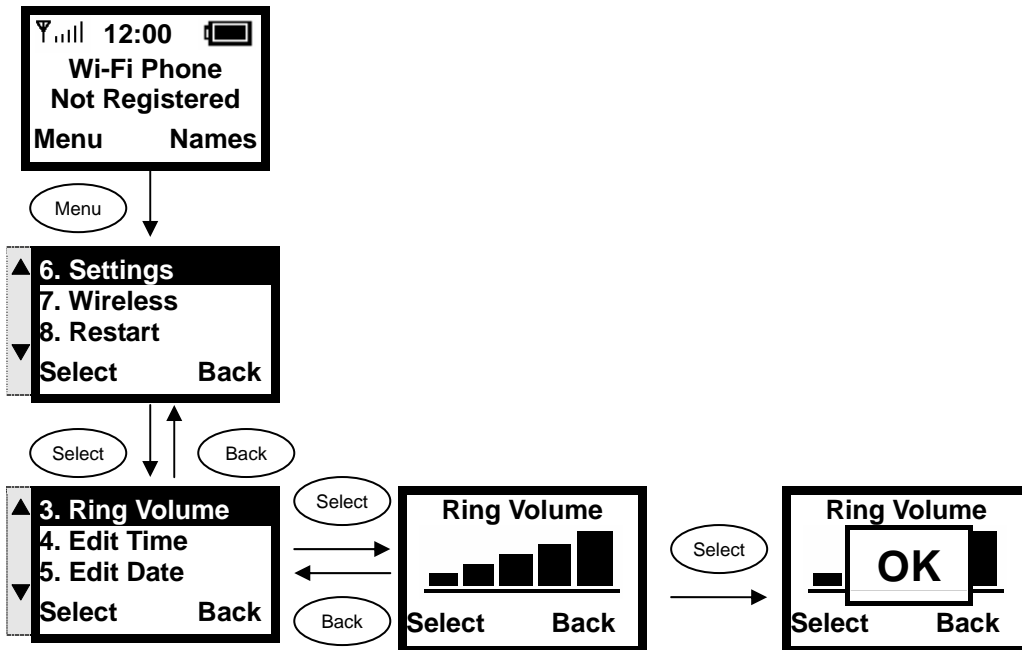


### 3.6.2. Setting the Vibration Mode

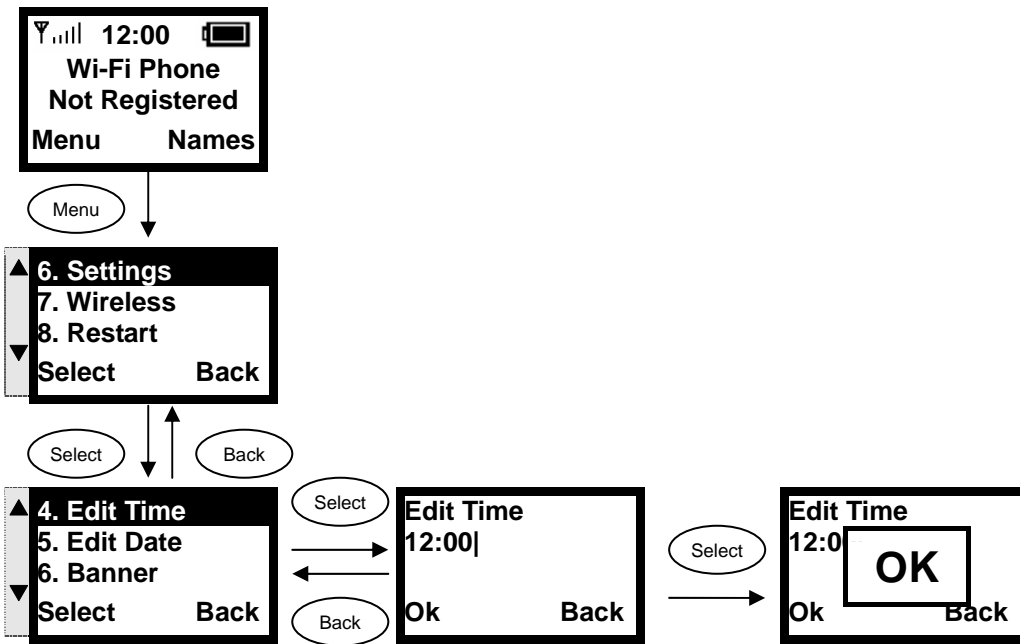


### 3.6.3. Adjusting the Ring Volume

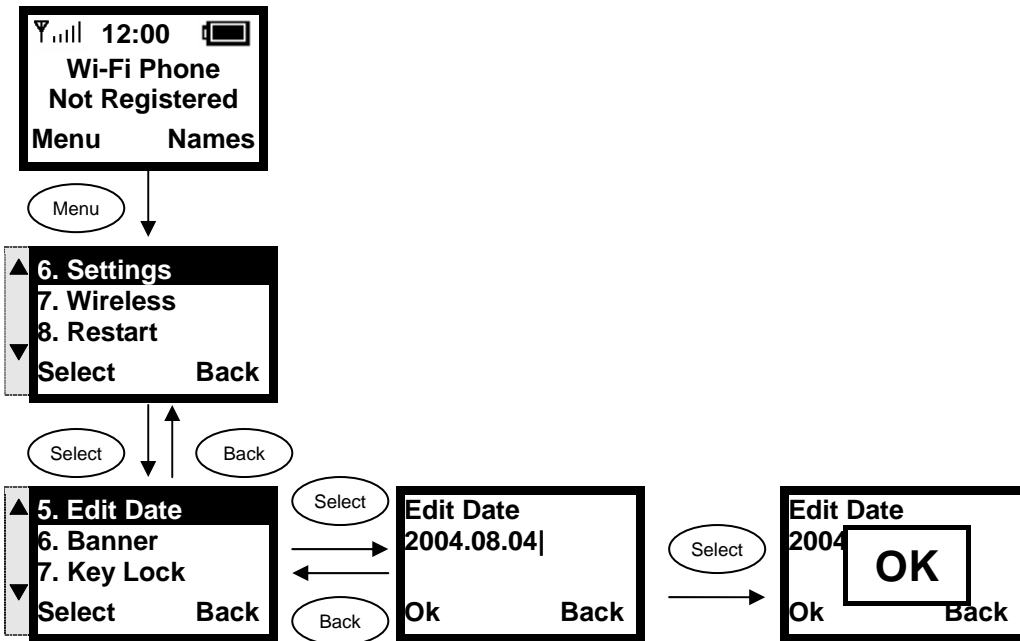
Use the left / right arrow keys (◀ / ▶) to decrease / increase the ring volume.



### 3.6.4. Setting the Time

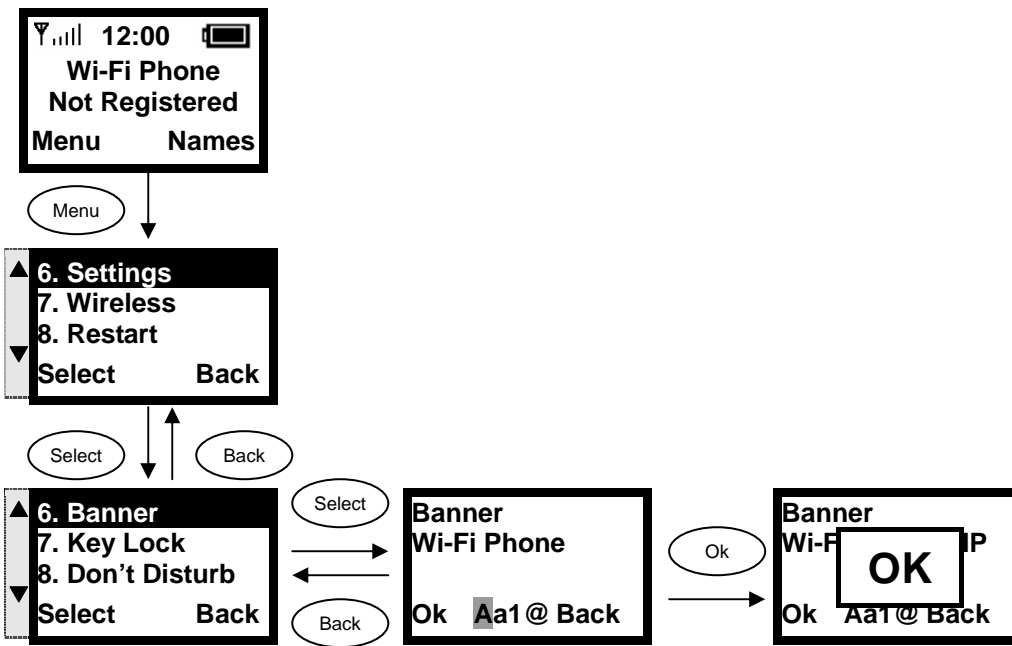


### 3.6.5. Setting the Date

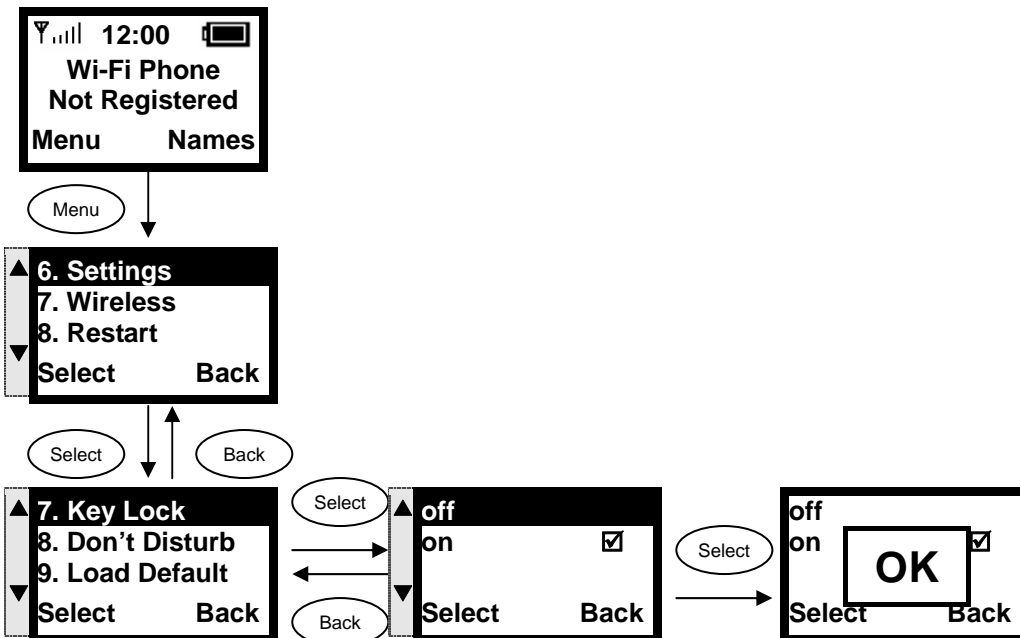




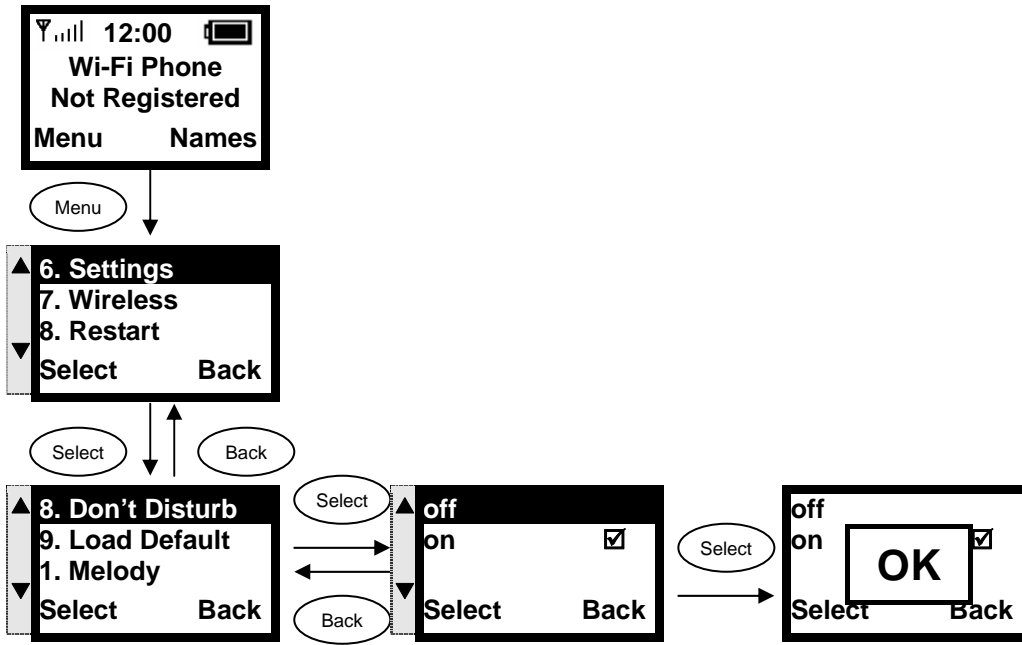
### 3.6.6. Setting the Banner



### 3.6.7. Setting the Key Lock



### 3.6.8. Don't Disturb



## 4. Web Configuration

This chapter explains how to use the Wi-Fi Phone web interface to configure your wireless IP phone.

### 4.1. Login Password

Use your browser to access the Wi-Fi Phone web page – in the Address field, type: <http://<ipaddress>>, then click the Go button.

Wi-Fi Phone offers two default accounts:

1. the user's account,

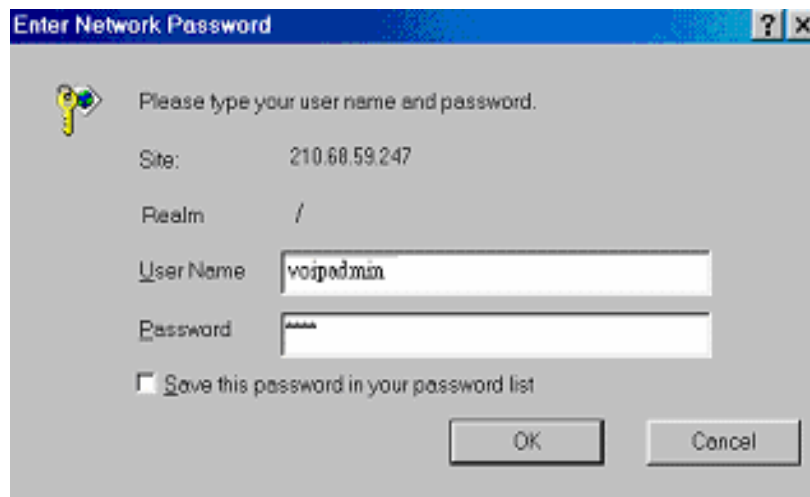
User Name: **user**

Password: **1111**

2. and the administrative account

User Name: **voipadmin**



Password: **admin**





The main web page is divided into several frames, each related to a VoIP module. It includes information, network settings, SIP proxy server settings, registrar server settings, phone book settings, voice codec settings, voice quality settings, system settings, and update settings.

## 5. Basic Phone Tasks

### 5.1. Dialing a Phone Number

1. In idle state, enter a phone number by using the numerical keys.
2. If you have entered an incorrect number, press the  key to delete it.
3. Press the  key to connect your call.

### 5.2. Redialing a Phone Number

1. In idle state, press the  key.  
The list of placed calls is displayed.
2. Scroll through the list by using the ▲ or ▼ key.  
Press the  key to make the call.

### 5.3. Answering a Call

To answer a call, press the  key.

To reject a call, press the  key.

# 6. Display Messages

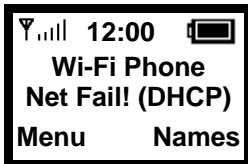
## 6.1. Error Messages

Error messages are displayed to let you know that an error has occurred. These error messages may prevent you from connecting to the network or from using the phone. You may need to contact the system administrator to resolve the problem.



**Error 1: No AP found (Wi-Fi blinking)**

The ESSID set on the phone does not match any of the Service Set Identifiers (SSIDs) of the AP in the network.



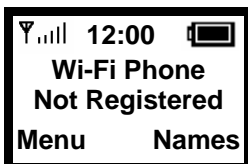
**Error 2: Net Fail! (DHCP)**

The phone failed to obtain the IP address from the DHCP server, or failed to authenticate due to a Wep Key error.



**Error 3: Net Fail! (PPPoE)**

The phone failed to obtain the IP address from your ISP service.



**Error 4: Registering to SIP proxy failed**

The phone failed to register with the SIP Proxy. It could be due to the WEP key or SIP proxy setting error. Please contact your service provider, or check your SIP Settings.

## 6.2. Warning Messages

Warning messages are displayed when the phone detects a condition that may disrupt your phone service.

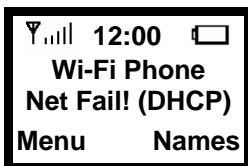


**Warning 1:** No display when the phone is seated in the charger.

- **Situation 1:** The phone is seated in the charger but there is no LCD display and back light, even if it has been powered on.
- **Situation 2:** The phone is seated in the charger but there is no LCD display; the back light is on.

**Corrective Action:**

Place the phone in the charger and turn off the power. Keep the phone in the charger for approximately 30 seconds. Then remove it from the charger briefly, for approximately 2 seconds. Place the phone back in the charger and it will automatically turn on.



**Warning 2:** Battery Low (🔋blinking)

The battery energy level is low.

**Corrective Action:** Recharge the battery.



**Warning 3:** Weak signal detected (📶blinking)

The signal quality is low.

**Corrective Action:**

Connect to another AP. Move your phone closer to the AP. There may be too much radio interference (for example a microwave or another AP using the same channel) around your wireless network. Relocate or reduce the radio interference.