

ITEM # \_\_\_\_\_

MODEL # \_\_\_\_\_

PROJECT NAME # \_\_\_\_\_

SIS # \_\_\_\_\_

AIA # \_\_\_\_\_



### Heavy Duty 14" Food Slicer DSLHD Series

601579 (DSLHD14) 14" Heavy Duty Food Slicer  
120 V/1p/60Hz

### Short Form Specification

Item No. \_\_\_\_\_

Unit to be Electrolux Dito 14" Heavy Duty Food Slicer. Electrical characteristics to be 120 V SINGLE-phase operation with Adjustable speeds at 300 rpm. Especially designed to slice easily sausages, hams, cooked meats, cheese, fish, tough meats, etc. Large-sized hoppers mounted on noiseless sliding carriages that run on self-lubricating bushes and ball bearings. Polished hygienic rustproof casting of special anodized aluminum alloy. Poly V belt drive. Powerful, noiseless single-phase motor. Special chromium-plated steel blades are ground and hardened for long service life. Built-in sharpening device with adjustable emery grindstones. Cam control knob with various settings adjusts cut thickness from 0 to 14 mm. Carriage and blade cover can be removed simply by unscrewing a hand wheel.



5-15P

Approval: \_\_\_\_\_

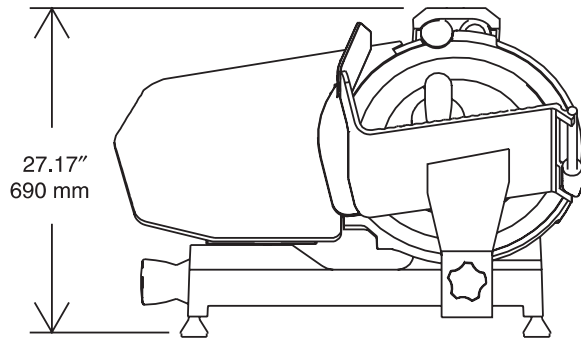
### Main features

- Adjustable speed control knob.
- Cut thickness-adjusting knob (millimeter adjustment).
- Power: 1/2 HP – single phase.
- Motor speed: 300 rpm.
- 373 watts.
- Compact design.
- Highest degree of safety in functioning, cleaning and maintenance.
- Belt drive mechanics.
- Made of an aluminum alloy treated by anodic oxidation. This procedure guarantees high hygienic standards of the parts interested by the cut and resistance to acids, salts and oxidation processes.
- The blade is made of chromium plated steel 100Cr6; it is grinded and hardened to guarantee an accurate and sharp cut of products also after it has been re-sharpened.
- The other components of the slicer are made of ABS, LEXAN, PLEXIGLAS and stainless steel AISI 430 or 304.
- Dimensions: (HxLxW): 27.25" x 29.75" x 28".
- Approximate shipping weight—101 lbs.
- UL electrical and NSF sanitation listed.
- NEMA # : 5-15P.
- 2 year parts warranty, 1 year labor.

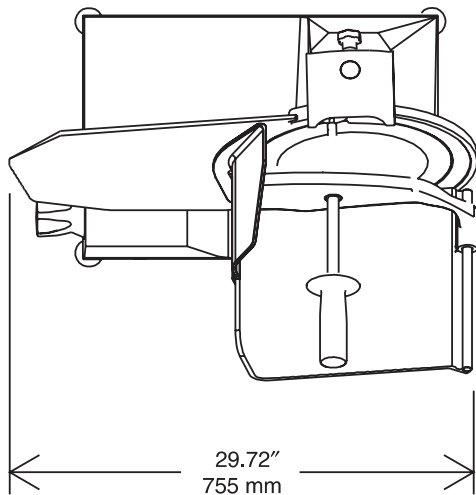
### Optional Accessories

- Blade 14" for Food Slicer (PNC 653648)
- Blade (Teflon Coated) 14" for Food Slicer (PNC 653652)
- Vegetable Cutter Adapter for 14" Slicer (PNC 653655)

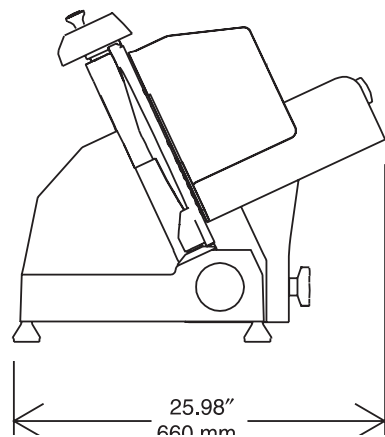
**Front View**



**Top View**



**Side View**



**Electric**

Supply voltage:

601579 (DSLHD14)

120 V/1p/60Hz – 3.1A

**Key Information**

The **MECHANICAL SAFETY** system includes:

- Blade guard
- Cover
- Meat pusher
- Hand cover on meat hopper
- Meat hopper + finger protection

The **ELECTRICAL SAFETY** system includes:

The slicer is equipped with: a micro-switch which stops the slicer in case the tie rod for blade guard is removed; the micro-switch prevents from restarting the slicer if the guard has not been set in the switch-off position.

**Heavy Duty 14" Food Slicer  
DSLHD Series**

The company reserves the right to make modifications to the products without prior notice. All information correct at time of printing.

6-30-09