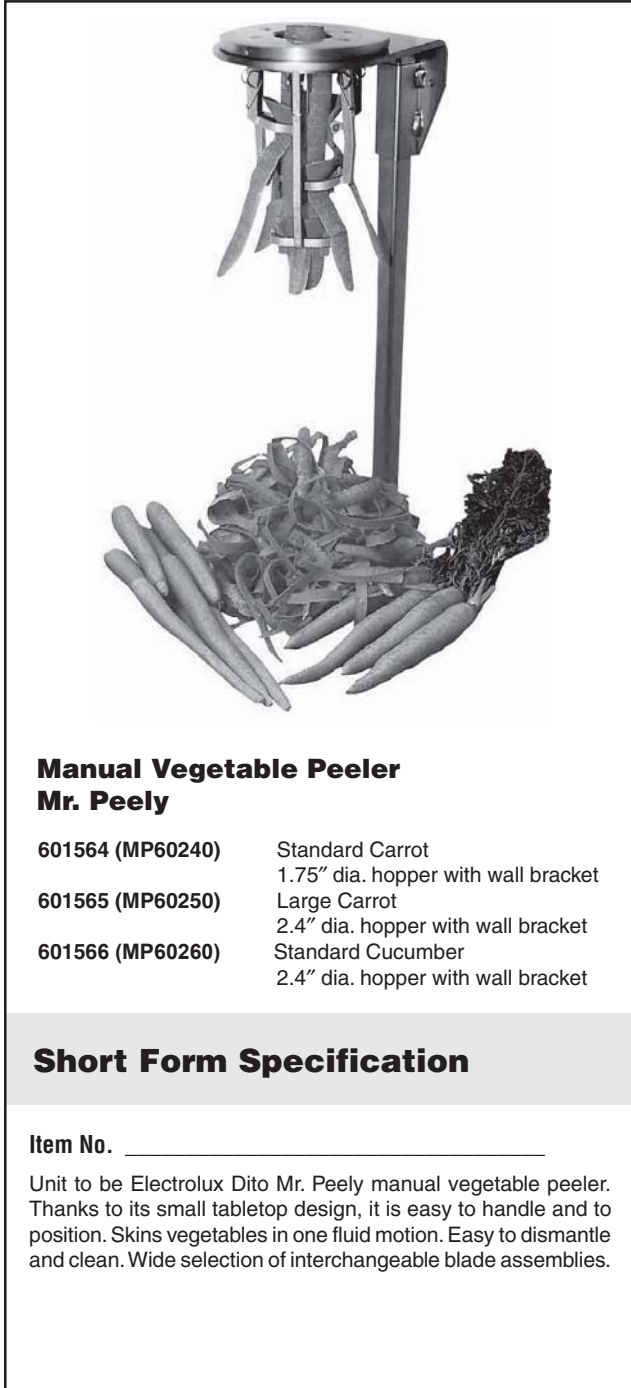




DITO
Manual Vegetable Peeler
Mr. Peely

ITEM # _____
 MODEL # _____
 PROJECT NAME # _____
 SIS # _____
 AIA # _____

DITO
Electrolux



Manual Vegetable Peeler
Mr. Peely

- 601564 (MP60240) Standard Carrot
1.75" dia. hopper with wall bracket
- 601565 (MP60250) Large Carrot
2.4" dia. hopper with wall bracket
- 601566 (MP60260) Standard Cucumber
2.4" dia. hopper with wall bracket

Short Form Specification

Item No. _____

Unit to be Electrolux Dito Mr. Peely manual vegetable peeler. Thanks to its small tabletop design, it is easy to handle and to position. Skins vegetables in one fluid motion. Easy to dismantle and clean. Wide selection of interchangeable blade assemblies.



Approval: _____

Main features

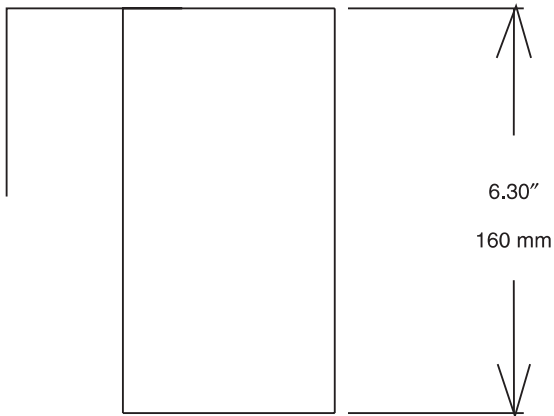
- Remove the skin evenly and cleanly.
- Thin peeling.
- 6 stainless steel precision blades articulated on 6 arms that take on the exact shape of the carrot.
- With clamp fixation.
- Easy dismantling without any tool.
- Easy cleaning.
- Dishwasher safe.
- Dimensions: (HxLxW): 5.5" x 5" x 5".
- Approximate shipping weight—3 lbs.
- 2 year parts warranty, 1 year labor.

Optional Accessories

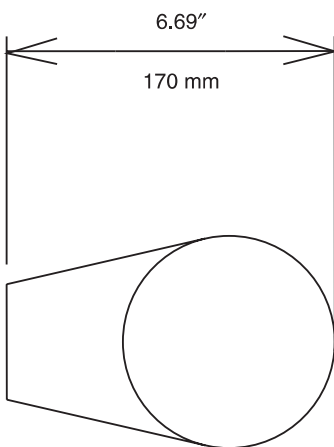
- Blade Assembly for Cucumber Scorer (PNC 653661)
- Blade Assembly for Cucumber (PNC 653660)
- Blade Assembly for Large Carrot (PNC 653659)
- Blade Assembly for Standard Carrot (PNC 653635)
- Counter Stand for Mr. Peely (PNC 653640)
- Replacement Knife Set for Cucumber (PNC 653638)
- Replacement Knife Set for Large Carrot (PNC 653637)
- Replacement Knife Set for Standard Carrot (PNC 653636)
- Pusher (Standard Carrot) for Mr. Peely (PNC 653643)
- Springs (Set of 6) for Mr. Peely (PNC 653642)
- Swing Arms (Set of 6) for Mr. Peely (PNC 653641)
- Wall Bracket for Mr. Peely (PNC 653639)

Manual Vegetable Peeler
Mr. Peely

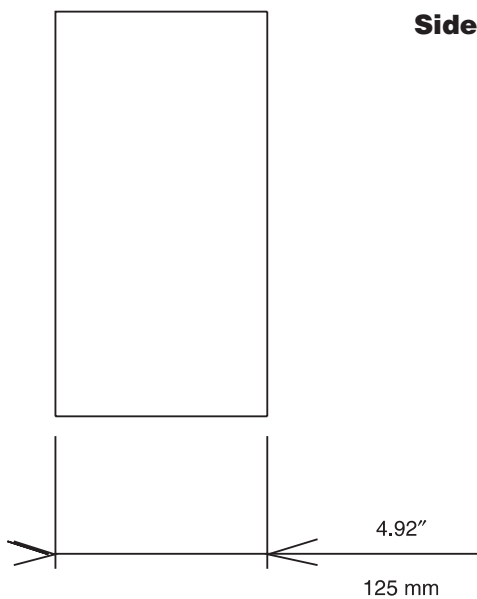
Front View



Top View



Side View



Electric

None

Key Information

None