

Item
Model
ProjectName



T8E

T8-E are new generation peelers for the modern professional catering kitchens. Main feature: Removable peeling chamber and peeling plate. The peeling chamber fits easily onto the base, with the drive shaft fitting into the centre of the plate.

User advantages:

- possibility of loading the tank away from the peeling area
- easily cleanable

FEATURES

- Vegetables can be loaded directly into the peeling chamber, away from the machine.
- Unloading of the machine simply by removing the peeling chamber with its content of cleaned vegetables.
- Maximum cleaning assured: the parts in contact with the vegetables are easily reachable while the cells are removable and suitable for hand and machine cleaning.

- This peeler stands out of all traditional models thanks to these advantages. T8E meets all the requirements for ergonomics and hygiene in modern professional catering kitchens.

Peelers



Specifications

MODEL	T8E 601491	T8EFB 601492
External dimensions - mm		
width	422	422
depth	396	396
height	676	676
RPM	305	305
Peeling capacity - kg/h		
potatoes	160	160
Power - kW		
installed-electric	0.37	0.37
Net weight - kg.	23.5	23.5
Supply voltage	220...240 V, 1N, 50	220...240 V, 1N, 50

Included accessories

CODE	DESCRIPTION	T8E 601491	T8EFB 601492
653316	ABRASIVE PLATE FOR 5KG VEGETABLE PEELER	1	1
653514	FILTER BASKET-8KG PEELER+SHELL PEELERS		1

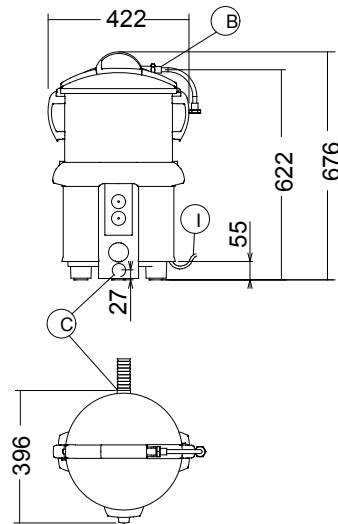
Optional accessories

CODE	DESCRIPTION	T8E 601491	T8EFB 601492
653316	ABRASIVE PLATE FOR 5KG VEGETABLE PEELER	✓	✓
653495	DRYING BASKET FOR 8KG VEGETABLE PEELER	✓	✓
653514	FILTER BASKET-8KG PEELER+SHELL PEELERS	✓	✓
653496	S/S TABLE FOR 5/8KG VEGETABLE PEELERS	✓	✓



DITO**Electrolux**

Installation drawings

601491, 601492

MODEL	T8E 601491	T8EFB 601492
B - Cold water inlet	3/4"	3/4"
C - Water drain	1"1/4	1"1/4
I - Electrical connection	220...240 V, 1N, 50	220...240 V, 1N, 50



Peelers

The manufacturer reserves the right to modify and make improvements to the products without giving prior warning. Dimensions, illustrations, technical data, weights, etc. are given as an indication only.



www.dito-electrolux.com



AFA B020