



SHP-IR

*Wireless Infrared Headphone System
(Two Headphones and Transmitter)*

SHP

*Wireless Headphones
(for use with Sound Storm SHP-IR and
Sound Storm Monitors with Infrared
Audio Transmission)*

**Congratulations on your purchase
of a Sound Storm Laboratories
wireless infrared headphone
system.**

It has been designed, engineered and
manufactured to bring you the highest
level of performance and quality, and
will afford you years of listening
pleasure.

Thank you for making Sound Storm
Laboratories your choice in car audio
and video entertainment!

USER'S MANUAL

<i>page</i>	CONTENTS
2	General precautions
2	Safety precautions
2	Installation precautions
2	What is included?
3	Headphone controls and features
4	SHP-IR features
5	System wiring: SHP-IR transmitter
6	Headphone battery replacement
7	Using SHP with a monitor with built-in IR audio transmitter
8	Troubleshooting
8	Specifications

General precautions

Please read this manual completely and carefully prior to attempting to install your new Sound Storm mobile audio/video equipment. Installed correctly, your Sound Storm equipment will provide you with years of enjoyable and safe usage.

Installation of this equipment in any portion of a vehicle which impairs or distracts the driver is improper and dangerous. Sound Storm assumes no liability whatsoever for failure to follow the proper installation of this product.

Please keep this manual in a safe place for future reference.

Safety precautions

- Do not operate this equipment while driving – safe driving should always be your highest priority.
- Do not open or attempt to repair this unit yourself. Dangerous high voltages may be present which may result in electric shock. Refer any repairs to a qualified service technician.
- Do not attempt to repair a damaged, broken or faulty power cord. Replace it with a new one immediately.
- If there is smoke or any peculiar odor present during use or if there is damage to any of the component enclosures, immediately unplug the power cord and send the monitor to your local dealer or service center as soon as possible.

Installation precautions

Do not install components in areas which are susceptible to rain, moisture, direct sunlight, extreme heat or cold, excessive dust, dirt or humidity.

Use only the installation parts and hardware provided with the unit to ensure proper installation. Using other parts can cause malfunction and possible damage to your Sound Storm headphone system.

Use only a power source with 12 Volts DC (negative ground).

Before final installation, temporarily connect the wiring according to the diagram near the end of this manual, check it to ensure that it has been connected properly, and test the unit to make sure it is working correctly.

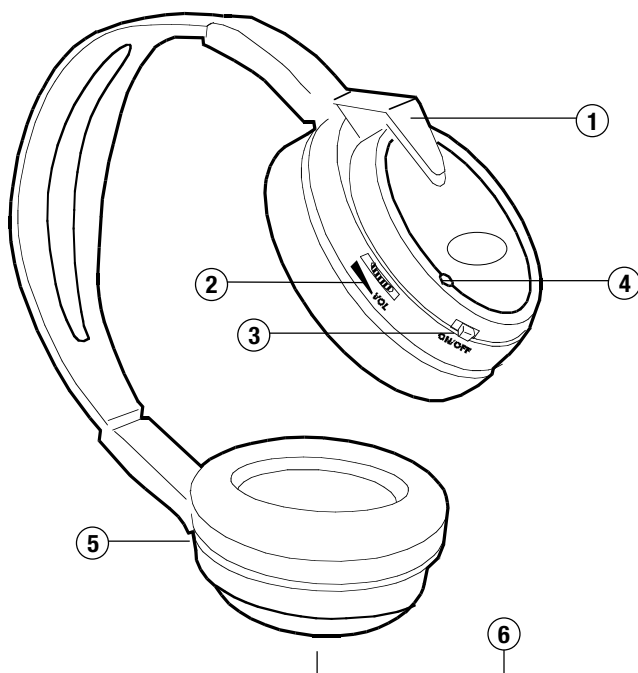
What is included?

The SHP-IR wireless infrared audio system includes:

- **Wireless audio transmitter**
- **(2) wireless headphones**

The SHP is an **additional set of wireless headphones** for use with the SHP-IR system or Sound Storm monitors with wireless infrared audio transmission capability.

SHP-IR and SHP Headphone Controls and Features



① ⑤ IR SENSORS

② VOLUME CONTROL KNOB

③ POWER ON/OFF SWITCH

This button turns the headphone on and off.

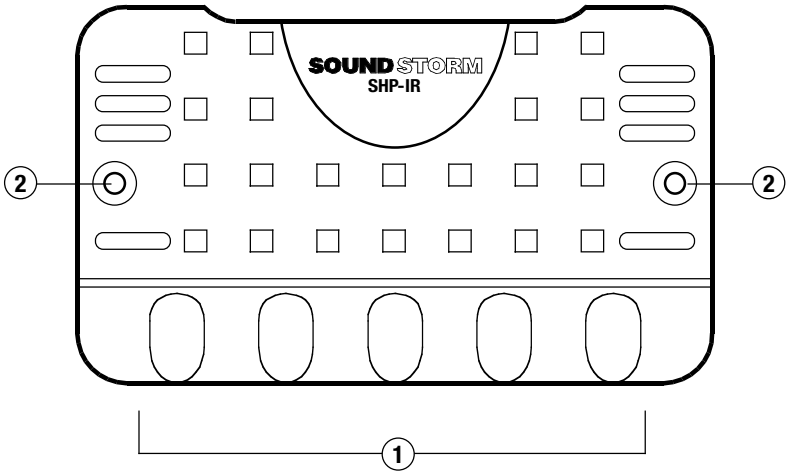
In addition, if headphones do not receive any infrared audio signal after a short period of time, they will shut off automatically to conserve battery life.

④ POWER LED

⑥ BATTERY COVER

See the section of this manual about battery replacement for more details.

SHP-IR Transmitter Features



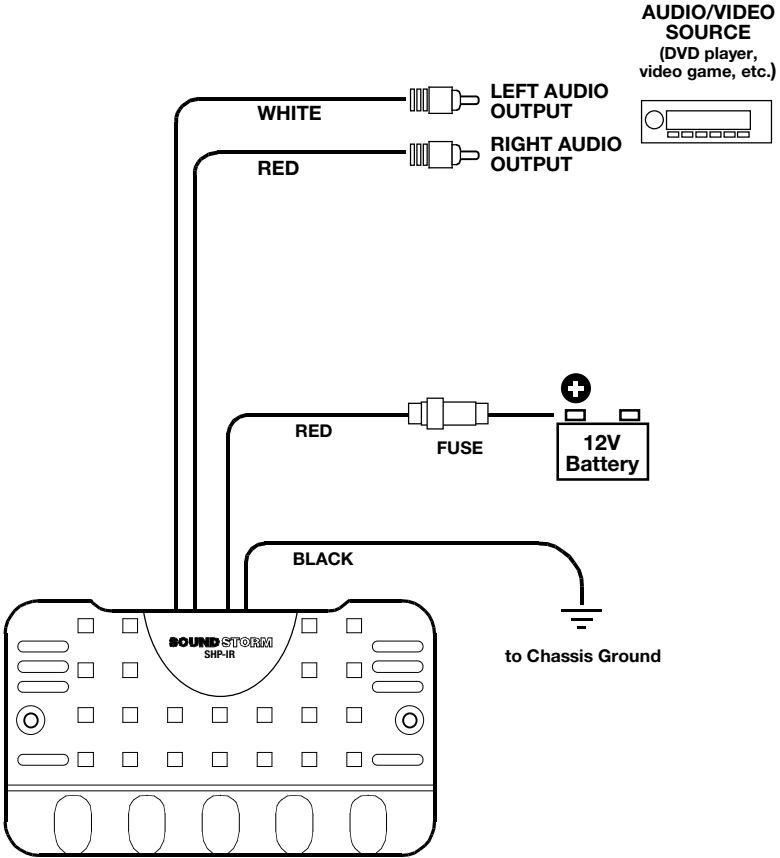
① IR EMITTERS (AUDIO TRANSMITTERS)

② MOUNTING HOLE

System wiring: SHP-IR Transmitter

Using the wires provided, complete the audio, and power connections in your vehicle as shown in the diagram below.

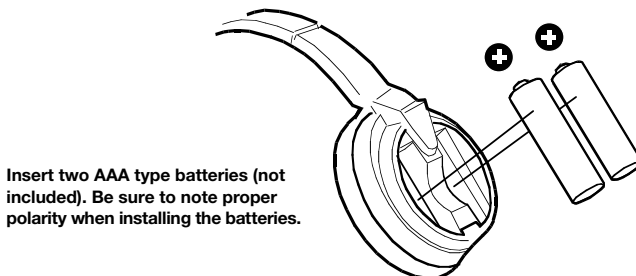
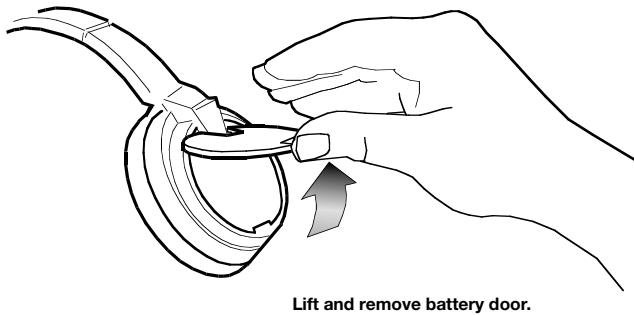
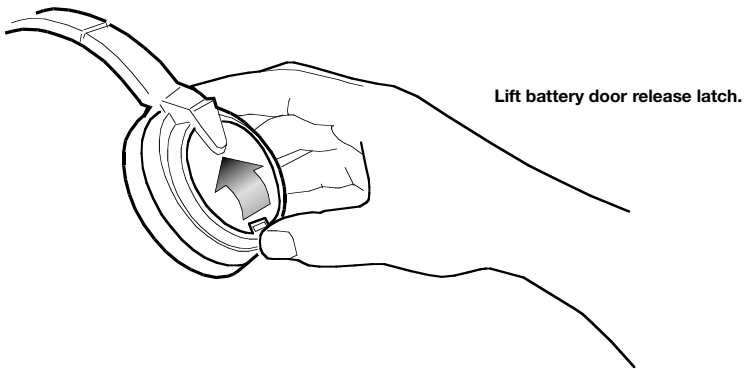
Be sure to locate the transmitter in a location and position within direct line-of-sight of the location in the vehicle you plan to have passengers wearing headphones.



Installing or replacing headphone batteries

The wireless headphones use (2) AAA batteries (not included), which are located in one of the earphone housings.

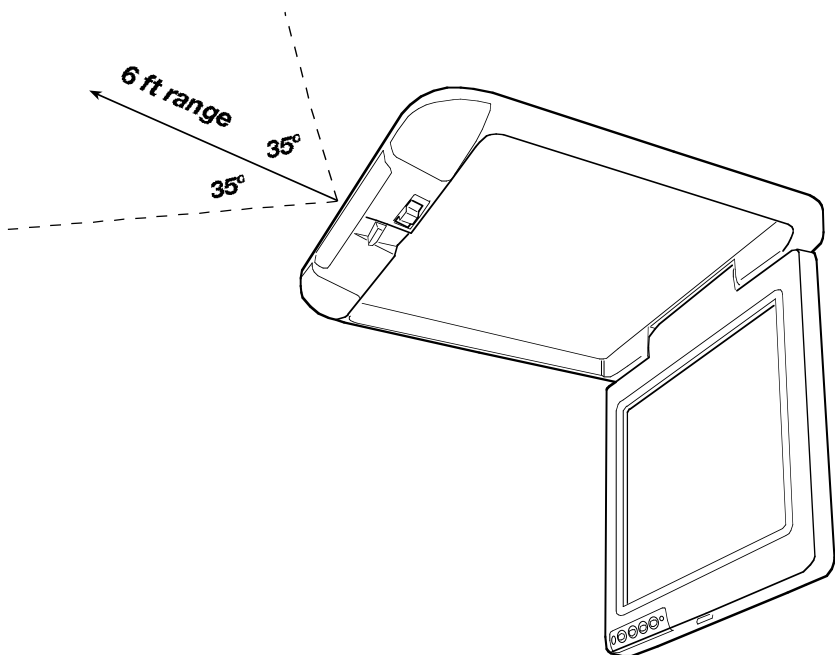
To replace the batteries, follow the diagrams below. To conserve battery life, please be sure to turn off the headphones whenever they are not in use, even though they will turn off after a short period of interrupted IR reception. If you expect the headphones to be unused for several days, remove and store the batteries.



Using the SHP headphones with a Sound Storm Monitor

Several Sound Storm video monitors include a wireless infrared transmitter. The transmitter sends a high-quality stereo signal which can be received by the SHP wireless infrared headphones.

The infrared signal is emitted from the large dark lens on the front of the monitor console. Best sound will be obtained if you sit directly in front of the monitor within about six feet. If you choose to sit to one side of the monitor, you can expect good reception within 35° to the right or left of the monitor.



Troubleshooting

If you experience operation or performance problems with this product, compare your installation with the electrical wiring diagram on the previous page. If problems persist, read the following troubleshooting tips which may help eliminate the problems.

SYMPTOM	CAUSE	REMEDY
No audio present in headphones.	Power cord is not properly connected.	<i>Check that power connections are properly made and all fuses are in functioning condition.</i>
	Audio input cables not properly connected.	<i>Check all cables.</i>
	Audio input source is not operating properly.	<i>Replace or repair A/V source (DVD player, video game, etc.)</i>
	Batteries are dead.	<i>Replace headphone batteries.</i>
Sound is of poor quality or has interruptions and dropouts.	Headphone is not being used in direct line-of-sight with the player or remote IR sensor. Transmission is best within 6 feet/35° angle of IR sensor on the monitor.	<i>Move to a better location. If this is not possible, consider a more suitable location for the transmitter.</i>

Specifications



MODEL

SHP *Wireless Headphones*

SHP-IR *Wireless Headphones with IR Audio Transmitter*

Transmission system	Infrared light
Carrier frequency	2.3 MHz (left channel), 2.8MHz (right channel)
Modulation	FM
Mode	Stereo
S/N ratio	greater than 60 dB
Channel separation	greater than 40 dB
Distortion	les than 1%
Frequency response	30Hz - 20kHz
Power source, headphones	(2) x AAA batteries
Current consumption, headphones	25 mA max (during play) / 15mA (muted)

All specifications subject to change without notice.