

Item
Model
Project Name



CT5/6/10

The CT series of tomato slicers gives a better quality of cut with less effort, this professional tomato slicer allows the tomato to maintain its original shape even after slicing. The tomato slicer is ideal for preparing salads, starters or hamburger garnishes in a safety way.

FEATURES

- The tomato is placed on the holder.
- The lever is lowered cleanly and quickly without hesitation.
- The tomato returns with the trolley.
- The sliced tomato can be picked up, still in its original shape.
- Unscrew to remove the holder which slides out of the frame for cleaning under running water along with the rest of the slicer.
- Stainless steel removable holder and cutter block
- Stainless steel blades are easily tensioned.
- Powerful suction cups ensure perfect stability on the work top.



DITO**Electrolux**

Specifications

MODEL	CT6 601157
External dimensions - mm	
width	145
depth	427
height	240
Net weight - kg.	3

Included accessories

CODE	DESCRIPTION	
653100	CUTTING BLOCK FOR 6MM TOMATO SLICER	1
653099	TOMATO GUIDE FOR 6MM SLICER	1

Optional accessories

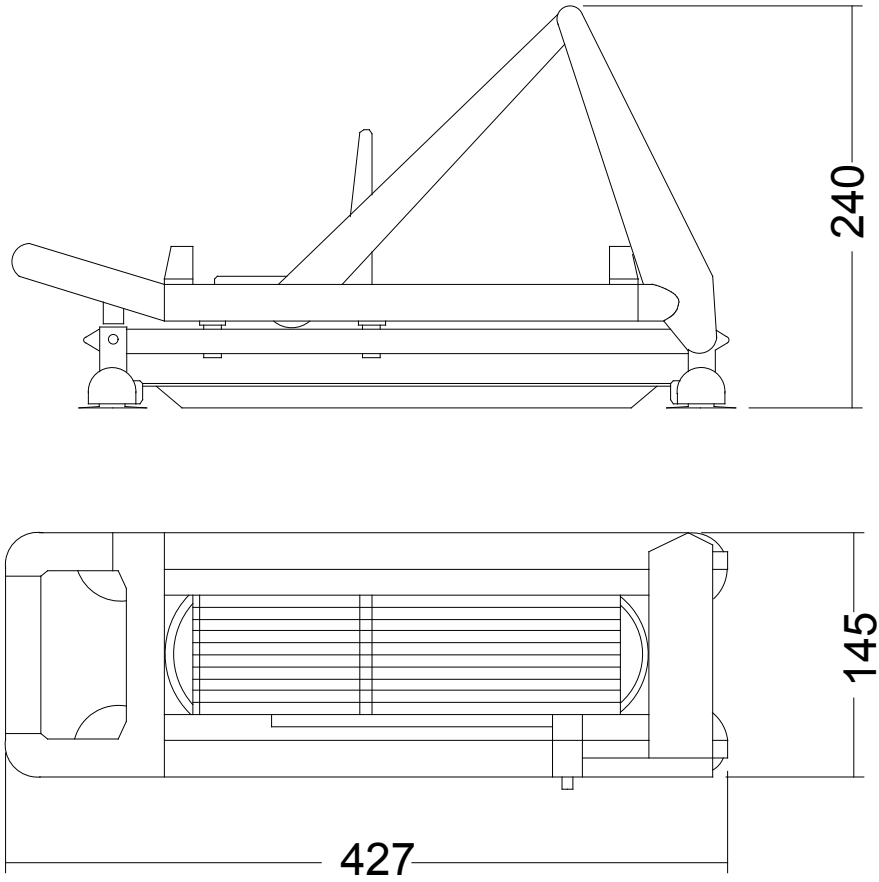
CODE	DESCRIPTION	
653100	CUTTING BLOCK FOR 6MM TOMATO SLICER	✓
653282	TIPPER SUPPORT FOR TOMATO SLICER	✓
653099	TOMATO GUIDE FOR 6MM SLICER	✓



DITO

Electrolux

601157



The manufacturer reserves the right to modify and make improvements to the products without giving prior warning. Dimensions, illustrations, technical data, weights, etc. are given as an indication only.



www.dito-electrolux.com

Manual equipment

AADA010

