

Item
Model
ProjectName



603322

TRK45

The TRK45 is a versatile machine capable of changing from vegetable slicer to food processor in a matter of seconds. With the fast and easy to change attachments, you can be ready to prepare a menu ranging in anything from hors d'oeuvres to dessert. When using the vegetable slicer attachment, it is possible to quickly and easily make over 70 different types of cuts for stylish and imaginative presentations of salads, garnishings, macedonies, chips and many other combinations. When using the food processing attachment, it is possible to mince meat, create elaborate: mousses, stuffings, creams, pastries, etc. The capacities of the TRK45 make it a perfect complement for kitchens of any size.

FEATURES

- Vegetable slicer attachment for shredding, grating, dicing and mincing your favorite recipes.
- Cutter-mixer attachment to mix, blend, chop and puree meats, vegetables and even desserts. Designed for easy cleaning thanks to the rounded shapes and stainless steel top.
- User friendly touch button control panel to select required speed and pulse function.
- Efficient scraper eliminates the need to manually remove food from the sides of the bowl in addition to keeping the lid clean for optimal visibility.
- The extensive range of slicing discs and cutting blades makes even difficult preparations possible.
- Specially designed smooth or microtoothed blades in 420 AISI stainless steel guarantee food will not separate.
- Base adjustable from flat to inclined with the simple movement of a lever, making vegetable preparations even easier.

Vegetable slicers



DITO**Electrolux**

- Designed for easy cleaning thanks to the rounded shapes and stainless steel top.
- User friendly touch button control panel to select required speed and pulse function.
- Efficient scraper eliminates the need to manually remove food from the sides of the bowl in addition to keeping the lid clean for optimal visibility.

- Specially designed smooth or microtoothed blades in 420 AISI stainless steel guarantee food will not separate.
- Thanks to its wide versatility, the machine always allows to select the correct slicing/processing speed, according to the accessory being used.

Specifications

MODEL	TRK45V 603322
External dimensions - mm	
width	252
depth	485
height	505
Cutting capacity - kg/h	
carrots	250
chips	500
dicing	450
Chopping capacity - kg/cycle	
condiments	1.3
Mincing capacity - kg/cycle	
meats	1.5
Preparation mayonnaise/sauces - kg/cycle	
mayonnaise	2
Pastry preparation - kg/cycle	1.3
Power - kW	
installed-electric	1
Net weight - kg.	27.4
Supply voltage	200...240 V, 1N, 50/60



DITO**Electrolux**

Included accessories

CODE	DESCRIPTION	
653589	4.5 LITRE S/S BOWL FOR CUTTER-MIXER	1
653588	LID+BOWL SCRAPER FOR 4,5LT CUTTER-MIXER	1
653580	MICROTOOTH BLADE ROTOR-4,5L CUTTER-MIXER	1

Optional accessories

CODE	DESCRIPTION	
653589	4.5 LITRE S/S BOWL FOR CUTTER-MIXER	✓
653568	DICING GRID 10 MM FOR VEGETABLE SLICER	✓
653569	DICING GRID 12 MM FOR VEGETABLE SLICER	✓
653570	DICING GRID 20 MM FOR VEGETABLE SLICER	✓
653566	DICING GRID 5 MM FOR VEGETABLE SLICER	✓
653567	DICING GRID 8 MM FOR VEGETABLE SLICER	✓
653122	DISC WITH CORRUGATED BLADES 2 MM	✓
653123	DISC WITH CORRUGATED BLADES 3 MM	✓
653126	DISC WITH CORRUGATED BLADES 6 MM	✓
653111	DISC WITH CURVED BLADES 1 MM	✓
653511	DISC WITH CURVED BLADES 10 MM	✓
653112	DISC WITH CURVED BLADES 2 MM	✓
653113	DISC WITH CURVED BLADES 3 MM	✓
653115	DISC WITH CURVED BLADES 5 MM	✓
653162	GRATING DISC 2 MM	✓
653163	GRATING DISC 3 MM	✓
653164	GRATING DISC 4 MM	✓
653167	GRATING DISC 7 MM	✓
653498	GRATING DISC 9 MM	✓
653008	GRATING DISC FOR KNODELN AND BREAD	✓
653170	GRATING DISC FOR PARMESAN AND BREAD	✓
653573	GRID FOR CHIPS 10MM FOR VEGETABLE SLICER	✓
653571	GRID FOR CHIPS 6MM FOR VEGETABLE SLICER	✓
653572	GRID FOR CHIPS 8MM FOR VEGETABLE SLICER	✓
653594	KIT VEG .SLICER FOR VAR.SP.CUTTER-MIXERS	✓
653588	LID+BOWL SCRAPER FOR 4,5LT CUTTER-MIXER	✓
653580	MICROTOOTH BLADE ROTOR-4,5L CUTTER-MIXER	✓
653283	S/S WORK TABLE+FOLDING SHELVES+DISK RACK	✓
653214	SHREDDING DISC 2X2 MM	✓
653153	SHREDDING DISC 3X3 MM	✓
653154	SHREDDING DISC 4X4 MM	✓
653289	SLICING BLADES VARIABLE DEPTH 1MM-7MM	✓
653565	SLICING DISC FOR MOZZARELLA 10 MM	✓
653101	SLICING DISC WITH STRAIGHT BLADES 1 MM	✓
653110	SLICING DISC WITH STRAIGHT BLADES 10 MM	✓
653185	SLICING DISC WITH STRAIGHT BLADES 14 MM	✓
653102	SLICING DISC WITH STRAIGHT BLADES 2 MM	✓
653103	SLICING DISC WITH STRAIGHT BLADES 3 MM	✓
653106	SLICING DISC WITH STRAIGHT BLADES 6 MM	✓
653108	SLICING DISC WITH STRAIGHT BLADES 8 MM	✓
653579	SMOOTH BLADE ROTOR-4,5L CUTTER-MIXER	✓
653180	TABLE+SHELF+GN 1/1 POLYCARBONATE TRAY	✓

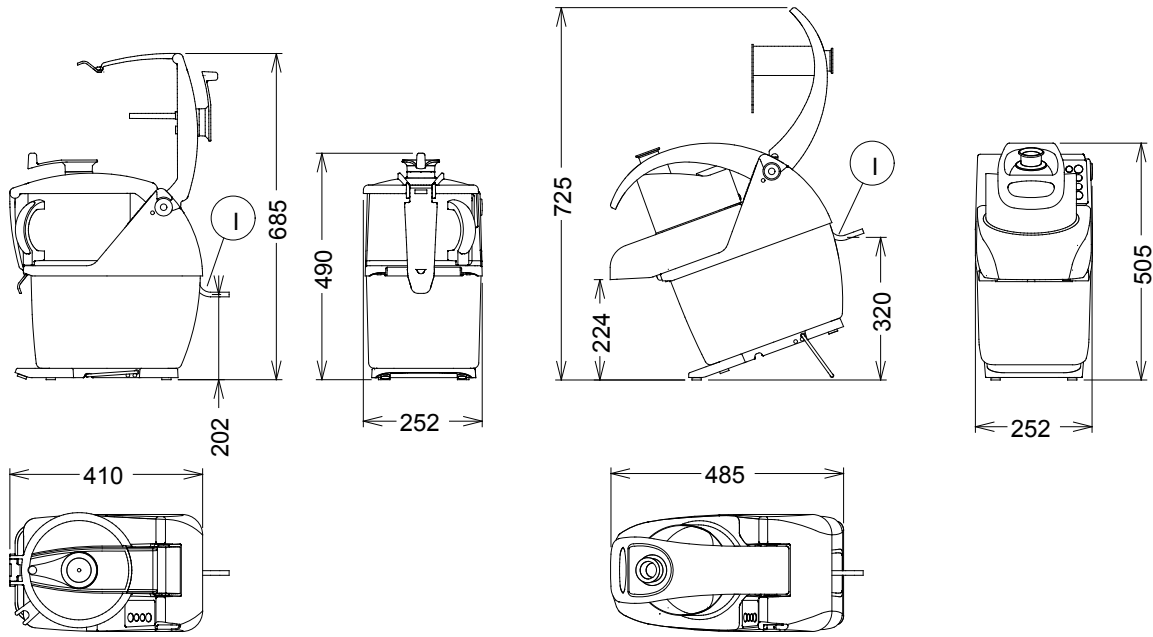


DITO

Electrolux

Installation drawings

603322



MODEL

I - Electrical connection

**TRK45VV
603322**

200...240 V, 1N, 50/60

The manufacturer reserves the right to modify and make improvements to the products without giving prior warning. Dimensions, illustrations, technical data, weights, etc. are given as an indication only.



www.dito-electrolux.com

Vegetable slicers

AABB010

