



Digital Door Lock

- Single Point

User Manua





Thank you for choosing Yale Doorman

This user manual in combination with Installation Guide assures you use the product in a safe and correct way as well as utilize it's full potential.

For price and opening hours see local yale website, yale.se
yaledoorman.no yalelock.dk

Content

| | |
|---|----|
| Read this carefully before using Yale Doorman | 62 |
| Important safety instructions | 63 |
| Technical data | 63 |
| Environment | 63 |
| Emergency opening from outside with back up battery | 64 |
| Emergency opening from inside with thumb turn | 64 |
| Indications, alarm and signals | 65 |
| Easy Mode and Advanced Mode | 66 |
| Settings | 67 |
| Settings in Easy Mode | 68 |
| Registration of electronic keys in Easy Mode | 69 |
| Settings in Advanced Mode | 70 |
| Registration of electronic keys in Advanced Mode | 71 |
| Troubleshooting | 72 |
| Secure mode | 73 |
| Yale Doorman – Dimensions | 74 |
| Form for electronic keys in Advanced Mode | 75 |

Read this carefully before using Yale Doorman

This product is design and manufactured for safe usage. Improper use can cause loss of proper, personal injury or product malfunction.

Service must be done only by trained personnel. This is necessary for example when product is damaged or software upgrade.

Disassembly or installation with other systems other than described in the product manuals is not allowed.

Brands, brand name, design, copyright, patent and other proprietary right on or within this product and manuals is the property of the manufacturer and shall not be used without written approval.

Changes to the manuals can be done without prior notice.



RoHS

Important safety instructions

Read these safety instruction to avoid accident, damage and inconvenience

- Never disassemble the product parts. This can cause electronic shock and product damage.
- Do not use water or solvent such as gasoline or benzene since this can damage electronics and surface of product.
- This product uses 4 1,5V alkaline batteries.
- Exchange all 4 batteries at low battery indication. Never drain the batteries since this can damage the product.
- **Battery warning:**
 - Always check that + and – poles are turned the right direction when exchanging batteries.
 - Use only alkaline batteries.

Risk of explosion if battery is replaced by an incorrect type.
Dispose of used batteries according to the national code or recycling program.

Technical data

Maximum number of key tags are 10 on one lock.

Each key tag can be registered on maximum 6 locks.

Maximum number of user codes are 10 on one lock.

Maximum number of remote controls are 5 on one lock.

Surface finish: Silver spray with UV coating.

Suitable for outdoor use, IP55 approved.

Fire rated to EI30 (EN-1191).

Temperature range: Inside 0 to +50 degrees and outside -25 to +70 degrees Celsius.

Environment

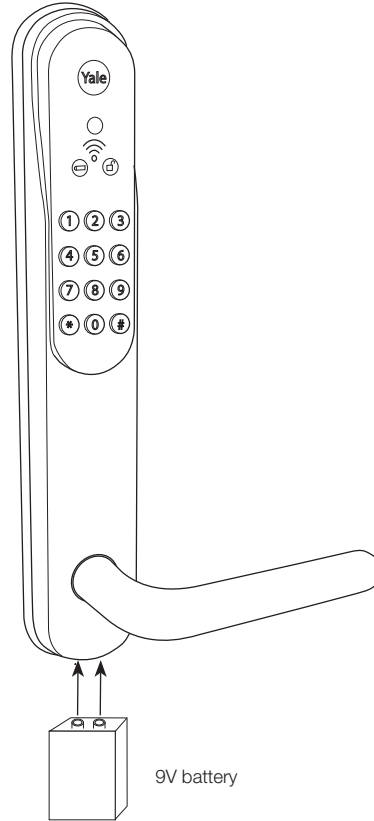
Environmental declaration can be obtained from supplier.



Do not use any strong cleaning products such as bleach etc. to clean the Yale Doorman. It can damage the surface and electronics of the product.

Emergency opening from outside with back up battery

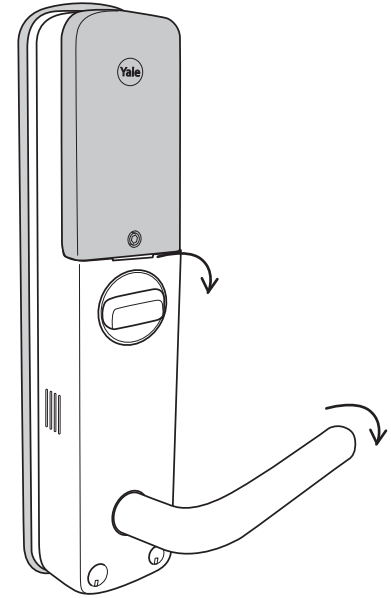
If the batteries in spite of the warning signals should be drained one can attach a 9V battery to the outside in order to power the product and then open using the proper electronic key. Hold the battery to the poles at the bottom of the outside and identify yourself with an electronic key.



Emergency opening from inside with thumb turn

Yale Doorman can be opened from inside without electronic power from inside by turning the thumb turn to 90 degrees in the opening direction. Opening is done by holding the thumb turn in horizontal direction and at the same time pulling down the handle to open the door.

NOTE: This feature is disabled in secure Mode and the voice guide informs the user about this when locking in Secure Mode.



Indications, alarm and signals

Yale Doorman has an built in voice guide in English, Swedish, Norwegian and Danish. This facilitates usage during registration of electronic keys, settings and special operations such as locking in secure Mode.

Light and sound indications on code pad when operating the product on outside

When locking the light rolls from top row and downwards combined with a "sad" tone.

When unlocking the light rolls from bottom row and upwards combined with a "happy" tone.


Errors are indicated by irregular flashing light during a short period combined with an "error" sound.


Intruder alarm is indicated with 80 dB alarm sound combined with slow flashing light.

When entering the wrong code the numbers flash in cross pattern combined with an "error" sound.

When entering the wrong code 5 times all numbers flashes slowly without sound for 3 minutes until new attempt is allowed.

Light symbols on outside

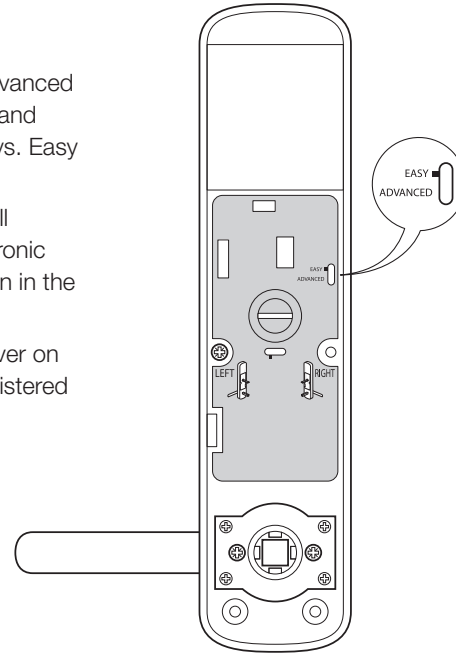
 **"Symbol" Low battery:** This symbol lights up red when battery level is low and battery change should be made.

 **"Symbol" Lock open:** This symbol lights up green when unlocking and flashes for a period afterwards to indicate lock is in unlocked Mode.

Easy Mode and Advanced Mode

Yale Doorman is delivered with Easy Mode pre set. One can also change this to Advanced Mode by a hardware switch on the backside of the inside escutcheon. Easy Mode and Advanced Mode handles registration and removal of electronic keys in different ways. Easy Mode is very easy to use where as Advanced Mode allows some Mode functions.

- 1 In Easy Mode all electronic keys are registered at one occasion and at this time all previously registered electronic keys are removed. In Advanced Mode each electronic key is handled separately. Each electronic key is registered on one unique position in the lock enabling adding or removing one electronic key at a time.
- 2 In Easy Mode registration of electronic keys is initiated by opening the battery cover on the inside and pressing the **P-button**. In Advanced Mode electronic keys are registered on the outside by first entering a master code to reach programming sequence.
- 3 To change to Advanced Mode, see illustration.



Settings

Settings are made through a menu that is reached by pressing # code # on the outside. After opening the menu you have the following options:

Easy Mode:

- 1 Language settings.** Danish, Norwegian, Swedish and English.
- 2 Registration of one day code.** When registering a one daycode (4 digits) a temporary code is added and valid for one day (about 24h).
- 3 Automatic locking.** When enabling automatic locking Yale Doorman will automatically lock after about 2 seconds when closing the door. If locking for some reasons is not completed a warning signal will indicate this.
- 4 Sound settings.** You can choose high volume, low volume or sound off.

Advanced Mode:

- 1 Language settings.** Danish, Norwegian, Swedish and English.
- 2 Registration of master code.** The mastercode is used to access the settings and registration Mode.
- 3 Registration of user code (6 digits).** The user code is used to unlock the door. Maximum number of user codes are 10.

4 Registration of electronic keys. Here you register one key tag or remote control per user on different positions in the lock. Maximum 10 key tags and 5 remote controls. For additional security you can register optional 4 digit PIN code for the key tag.

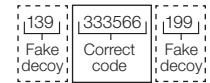
5 Registration of one day code. When registering a one day code (4 digits) a temporary code is added and valid for one day (about 24h).

6 Automatic locking. When enabling automatic locking Yale Doorman will automatically lock after about 2 seconds when closing the door. If locking for some reasons is not completed a warning signal will indicate this. If the door is unlocked and the door is not opened it will return to locked state within 5 seconds if automatic locking is enabled.

7 Sound settings. You can choose high volume, low volume or sound off.

8 Blocking of user codes. Here you can block all usage of user codes. The user codes remains in the lock and can be enabled at any time.

Fake code. To prevent your code being exposed Yale Doorman allows you to enter decoy numbers before or after the code.



Intruder alarm. 80 dB intruder alarm goes off if the door is opened without unlocking and if someone tries to manipulate the electronics.

Settings in Easy Mode

Select language

- Push # code #
- Push **1** #
- Push **1** for Danish
- Push **2** for Norwegian
- Push **3** for Swedish
- Push **4** for English
- Confirm with #

One day code

- Push # code #
- Push **2** #
- Select a code, 4 numbers
- Confirm with #
- To delete a one day code, do not enter a code but instead press only #.

Automatic locking

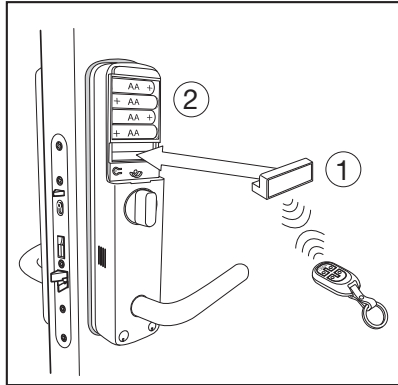
- Push # code #
- Push **3** #
- Push **1** to enable automatic locking.
- Push **3** for disable automatic locking.
- Confirm with #

Sound Settings

- Push # code #
- Push **4** #
- Push **1** for sound off
- Push **2** for low volume
- Push **3** for high volume
- Confirm with #

How to unlock and to lock the door

- Unlock from outside:
Present the electronic key and open with handle or Push * code (6 digits) * and open with the handle.
- Lock the door from outside:
Close the door and push *.
- Unlock the door from inside:
Turn the thumb turn and open with the handle.
- Lock the door from inside:
Close the door and turn the thumb turn.



When installing a remote control, assure that the receiver is inserted on the inside and that this is done before the batteries are inserted.

Note. When registering electronic keys in Easy Mode only the last registered set of electronic keys are valid. The lock stores user codes, key tags and remote controls separately. For instruction with illustrations see section Quick Guide.

Registration of electronic keys in Easy Mode

- Press the **P-button** on the inside under the battery cover.
- For code registration: Enter the code, 6 digits. Confirm with the **P-button**.
- For keytag registration: Hold the keytag you want to register on the reader on the outside, Wait for the sound signal. If you want to use a 4 digit PIN code with the key tag enter an optional PIN code and confirm with **#**. If you do not want to use a PIN code with the key tag press **#** only. To register more key tags hold the next key tag to the reader on the outside and repeat this sequence. Confirm with the **P-button** when you have registered all key tags.
- For remote control registration: Press and hold one of the upper and one of the lower buttons simultaneously on the remote control. See illustration. When the remote control is registered the lock confirms with a signal. For registration of more remote control press and hold the buttons on the next remote control. Confirm with the **P-button**.



Settings in Advanced Mode

Select language

- Push **#** mastercode **#**
- Push **1 #**
- Push **1** for Danish
- Push **2** for Norwegian
- Push **3** for Swedish
- Push **4** for English
- Confirm with **#**

One day code

- Push **#** mastercode **#**
- Push **5 #**
- Select a code, 4 numbers
- Confirm with **#**
- To delete a one day code, do not enter a code but instead press only **#**.

Valid for one day
(approx. 24 hours).

Automatic locking

- Push **#** mastercode **#**
- Push **6 #**
- Push **1** for automatic locking
- Push **3** for deactivation
- Confirm with **#**

Automatic locking means that it locks automatically when the door is closed.

Sound Settings

- Push **#** mastercode **#**
- Push **7 #**
- Push **1** for sound off
- Push **2** for low volume
- Push **3** for high volume
- Confirm with **#**

How to unlock and to lock the door

- Unlock from outside:
Present the electronic key and open with handle or Push ***** code (6 digits) ***** and open with the handle
- Lock the door from outside:
Close the door and push *****.
- Unlock the door from inside:
Turn the thumb turn and open with the handle.
- Lock the door from inside:
Close the door and turn the thumb turn.

Registration of electronic keys in Advanced Mode

Register user code

- Push **#** mastercode **#**
- Push **3 #**
- Push **1 #**
- Select position for the user code, 2 digits, 01-10.
- Set user code 6 digits Confirm with **#**.
- Push ***** to register more user controls or push **#** to complete.

Delete user code

- Push **#** mastercode **#**
- Push **3 #**
- Push **3** to delete user code Confirm with **#**.
- Select the position for the user code you want to delete, 01-10. Confirm with **#**.

Register master code

The first master code is the code that you enter when starting the product after installation. Here you can change the master code.

- Push **#** mastercode **#**
- Push **2 #**
- Enter new mastercode 6 digits
- Confirm with **#**

Register electronic keys

- Push **#** mastercode **#**
- Push **4 #**
- To register key tag push **1 #**
 - Select position for the key tag, 2 digits, 01-10. Confirm with **#**.
 - Hold the keytag you want to register on the reader on the outside, Wait for the sound signal.
 - If you want to use a 4 digit PIN code with the key tag enter an optional PIN code and confirm with **#**.
 - If you do not want to use a PIN code with the key tag press **#** only.
 - Push ***** to register more key tags or push **#** to complete.
- To register remote control push **4 #**.
 - Select position for the remote control. 2 digits, 01-05. Confirm with **#**.
 - Press and hold one of the top and one of the bottom buttons on the remote control. See illustration. When the remote control is registered the lock confirms with a sound signal.
 - Push ***** to register more remote controls or push **#** to complete.



Delete electronic keys

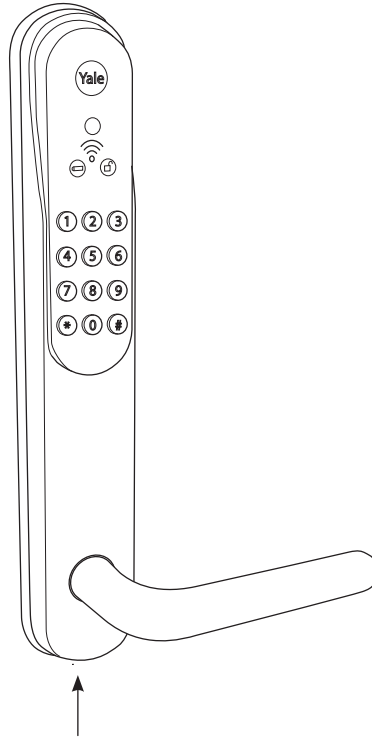
- Push **#** mastercode **#**
- Push **4 #**
- To delete a key tag push **3 #**. Select the position for the key tag that you want to delete, 2 digits 01-10. Confirm with **#**.
- To delete a remote control push **6 #**. Select the position for the remote control that you want to delete, 2 digits 01-05. Confirm with **#**.

Blocking of user codes

- Push **#** mastercode **#**
- Push **8 #**
- To activate blocking of codes push **1 #**.
- To de-activate blocking of codes push **3 #**.

Troubleshooting

If the product does not work there is a reset button between the battery back up poles on the bottom of the outside. This restarts the product but all electronic keys and settings are still valid and not lost.



Can not lock the door:

- Check the door gap, recommended 3 mm and max 5 mm.
- Check circuitboard and cables for scratches and breakage.
- Make sure the contacts aren't loose and the pins in the contacts are not damaged or fitted wrong way.

Intruder alarm goes off when door is locked:

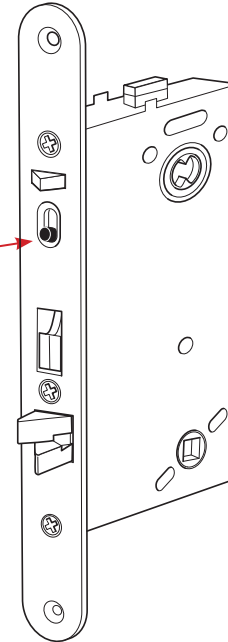
- Check the door gap, recommended 3 mm, max 5 mm. The door moves with temperatures so adjust hinges or strike to a door gap of about 3 mm.

Secure Mode

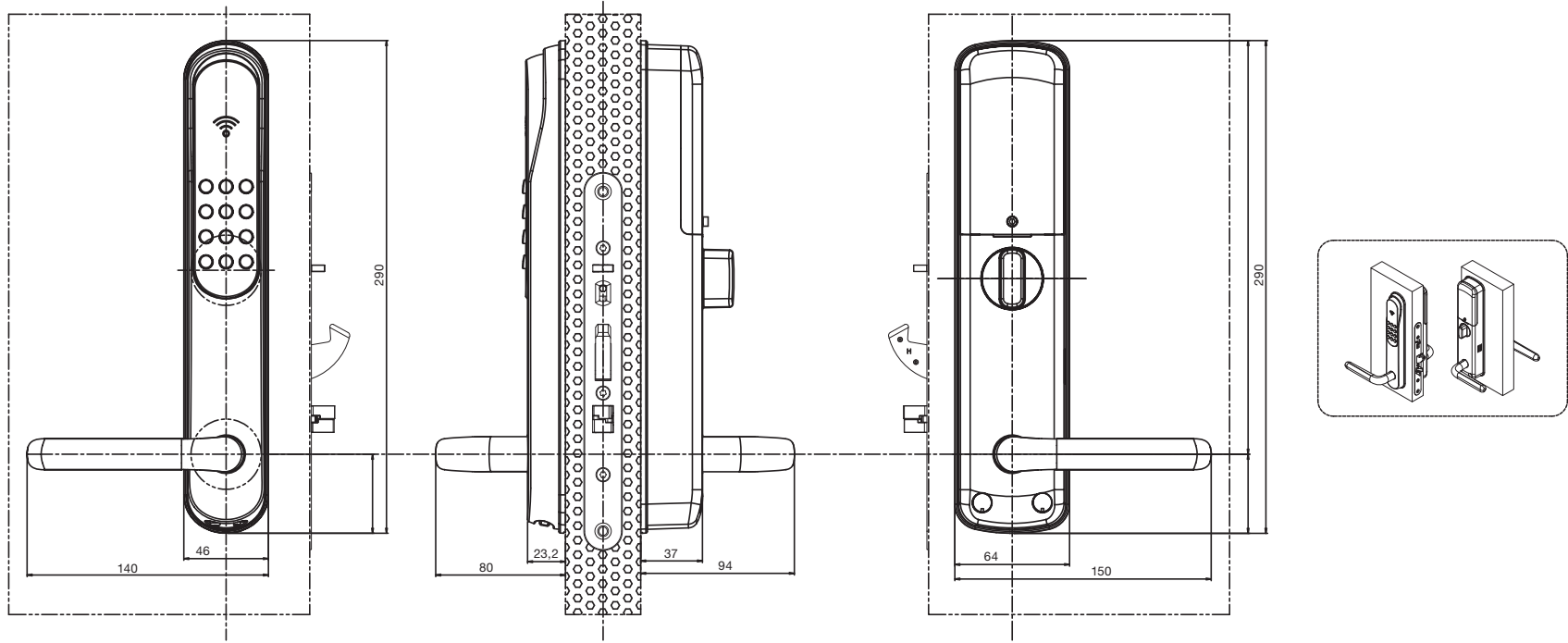
Now the door is securely locked both from inside and outside.
The lock can only be opened with registered user code or keytag from outside or with remote control from both inside and outside.
Note that if you have code blocking activated you can't unlock with any code in secure mode. When the door is opened, secure mode is deactivated.

Use the following steps to lock the door in secure mode:

- Open the door
- Push down the button on foreend of the lock
- Close the door
- Lock the door with key tag. (If the key tag was registered with PIN code you have to enter the PIN also and finish locking by pressing *).



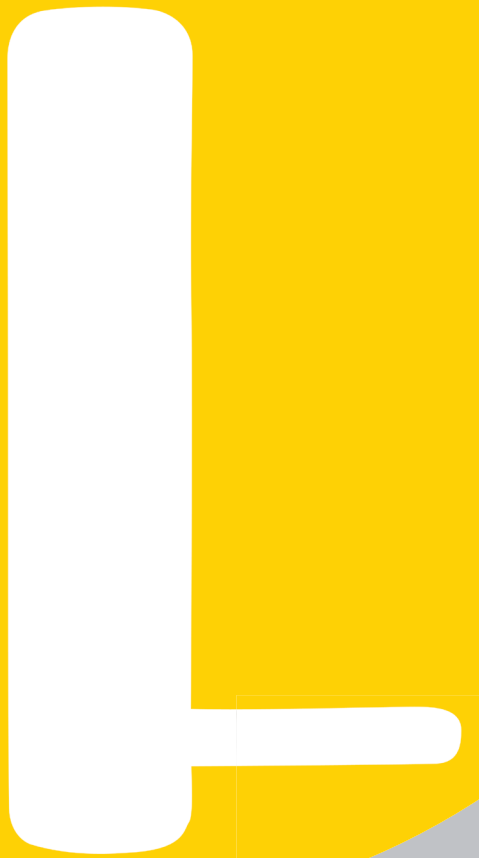
Yale Doorman – Dimensions



Form for electronic keys in Advanced Mode

Please use this form to keep track of your electronic keys in Advanced Mode.

| Position the lock | Electronic keys | Person |
|-------------------|-------------------|--------|
| 01 | Key tag 01 | |
| 02 | Key tag 02 | |
| 03 | Key tag 03 | |
| 04 | Key tag 04 | |
| 05 | Key tag 05 | |
| 06 | Key tag 06 | |
| 07 | Key tag 07 | |
| 08 | Key tag 08 | |
| 09 | Key tag 09 | |
| 10 | Key tag 10 | |
| Position the lock | Electronic keys | Person |
| 01 | Remote Control 01 | |
| 02 | Remote Control 02 | |
| 03 | Remote Control 03 | |
| 04 | Remote Control 04 | |
| 05 | Remote Control 05 | |
| Position the lock | Electronic keys | Person |
| 01 | User code 01 | |
| 02 | User code 02 | |
| 03 | User code 03 | |
| 04 | User code 04 | |
| 05 | User code 05 | |
| 06 | User code 06 | |
| 07 | User code 07 | |
| 08 | User code 08 | |
| 09 | User code 09 | |
| 10 | User code 10 | |



YALE, with its unique global reach and range of products, is the world's favorite lock – the preferred solution for securing your home, family and personal belongings.

ASSA ABLOY is the global leader in door opening solutions, dedicated to satisfying end-user needs for security, safety and convenience.

For more information on product, resellers and registration of product please visit www.yale.se or www.yalelock.dk or www.yaledoorman.no

