



Mercola.com
Take Control of Your Health

For Mercola.com Customer Service
Call 877-985-2695 or visit support.mercola.com

**18 LAMP MERCOLA BED
LIGHT SYSTEM**

USER MANUAL

Warranty

Tanning systems are warranted to be free from defects in workmanship as follows:

- (5) Years on all metal structural components**
- (1) Year on gas shocks and electrical components**
- (90) Days on acrylics, plastics and lamps**

Dealer's obligation under this warranty is limited to the repair and/or replacement of any defective part without charge for that part, at the manufacturer's discretion, with the following limitations:

- This warranty is extended only to the original purchaser appearing on the sales receipt and is non-transferable.
- This product is designed for use by one person at a time.
- Only original parts may be used.
- All major repairs must be completed by an authorized service representative.
- This warranty does not cover transportation charges on the parts.
- Labor costs are not reimbursable for repair or replacement of items.

Dealer disclaims any responsibility for transportation. Dealer further disclaims any responsibility for injury resulting from the failure of equipment or parts due to incorrect installation or operation.

Dealer shall not be liable for loss or damages caused either directly or indirectly from the use of its products. This limited warranty does not extend to any products which have been damaged as a result of accident, misuse, abuse, or as a result of service or modification by anyone other than an authorized service representative.

This warranty does not apply to any failure of parts or products due to alterations, modifications, misuse, abuse, accidents, improper maintenance, or failure to follow the specified electrical requirements. Such occurrences immediately VOID this warranty. THIS WARRANTY IS EXPRESSLY IN LIEU OF ALL OTHER WARRANTIES, EXPRESSED OR IMPLIED, INCLUDING THE WARRANTIES OF MERCHANTABILITY. No person, firm, or corporation is authorized to assume for us any other liability in connection with the sale of these goods

USE OF THIS PRODUCT IN A COMMERCIAL TANNING FACILITY OR FOR PROFESSIONAL AND MEDICAL SERVICES AUTOMATICALLY RESULTS IN THE VOIDING OF ANY AND ALL MANUFACTURER'S WARRANTIES!

THIS PRODUCT IS IN CONFORMITY WITH PERFORMANCE STANDARDS FOR SUN LAMP PRODUCTS UNDER U.S. FDA SECTION 21 CFR PART 1040.20.

Congratulations

Thank you for choosing our laydown tanning system for your tanning pleasure. This tanning system is designed to give you many years of dependable, trouble-free enjoyment in the comfort of your own home.

Table of Contents

Warranty _____	2
Safety Information _____	4
Specifications/Info _____	4
Electrical Requirements _____	5
Set Up and Assembly Instructions _____	7-11
Pre-Tanning Guidelines _____	12
Recommended Exposure Times _____	12
Using The Tanning Bed _____	13
Timer Instructions _____	13
Caring For and Maintaining Your Tanning Bed _____	13
Preventive Maintenance Matrix _____	14
Cleaning and Acrylic Maintenance _____	14
Acrylic Removal and Re-installation _____	15
Lamp Removal _____	15
Lamp Cleaning and Replacement _____	16
How to Obtain Service _____	16
Helpful Service Hints _____	17
Lamp Configuration _____	17
Frequently Asked Questions _____	18
Photosensitivity _____	19
Pregnancy _____	20
Record Your Warranty Information _____	22
General Specifications/Size Chart _____	23
Warning Label Information _____	24

**Please read entire manual before attempting
to operate this tanning unit!**

Safety Information

Label Notice: The United States FDA (Food & Drug Administration) requires that a warning label is provided to inform the user of possible dangers as stated in 21 CFR (Code of Federal Regulation), part 1040.20. Review the information on this label located on the front of your tanning bed.

Tan smart and avoid overexposure. If you do not tan in the sun, you will not tan from this product. As with natural sunlight, overexposure can cause eye and skin injury and allergic reactions. Allow 48 hours between sessions. To ensure optimum smart tanning, please refer to the recommended exposure time chart. (Refer to Table of Contents.)

Use of certain medications or cosmetics may increase your sensitivity to the ultraviolet radiation. Consult your physician before using any tanning bed if you are using medications or have a history of skin problems or believe you are sensitive to sunlight. See “Photosensitivity” (Refer to Table of Contents.)

Recommended eyewear: One pair of protective eyewear, approved by the FDA, is furnished with this equipment. Protective eyewear should be worn by all persons in the room when lamps are on. Failure to wear protective eyewear during each tanning session may result in severe burns or long-term injury to the eyes.

Only the following lamps may be used in this tanning system. Use of any other lamps will void your warranty.

- Solara Classic (PN 533000)
- Solara Classic ReNew (PN 532008)
- Solara Classic Infra Red (PN 532007)
- Solara Classic ReFresh (PN 532010)




Disconnect power cord before attempting to clean, re-lamp, or engage in the maintenance of this product. This equipment must be earth grounded.



DO NOT operate the tanning bed while wet or near water.

Tanning Bed Specifications/Info

Size HxWxL”	Weight (lbs.)	Voltage (Volts)	Amps (Rated)	Dedicated Breaker Amps	NEMA Receptacle	Fans	Timer*
28x32x76	170	120	13	15	5-15R 	3	Mechanical

This tanning system comes equipped with an internal backup timer. Refer to Table of Contents for more information on timers.

Pre-Installation Planning - Before you begin to assemble your tanning bed, please read the following.

Electrical Requirements

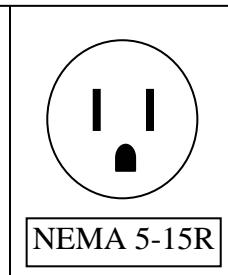
A qualified electrician may be needed to assist in fulfilling these requirements.

VERY IMPORTANT! MUST READ!

EVERY Tanning System REQUIRES a DEDICATED Circuit Breaker.

This means that your tanning system is the ONLY electrical device operating on that circuit breaker.

This tanning system requires a NEMA 5-15R Receptacle and a DEDICATED 15 Amp Circuit Breaker.



Proper voltage is **ONLY** between 100 and 130 Volts.

ALL IMPROPER VOLTAGES MUST BE RECTIFIED WITH THE CORRECT BUCK BOOSTER TRANSFORMER!

Buck Boosters are available through your Tanning Bed Dealer.

Additionally a very easy way of protecting your tanning bed from potential electrical damage due to power surges or spikes is to **UNPLUG** the unit when **NOT** in use.

See power cord label to determine voltage and receptacle requirements

Failure to comply with these electrical requirements will VOID ALL WARRANTIES and will damage electrical components!

WARNING: HIGH LEAKAGE CURRENT – ENSURE PROPER GROUNDING.

WARNING: GROUNDING CIRCUIT CONTINUITY IS VITAL FOR SAFE OPERATION OF EQUIPMENT. NEVER OPERATE WITH GROUNDING CONDUCTOR DISCONNECTED.

FOR ADDITIONAL ASSISTANCE:

**PLEASE REVIEW THE HELPFUL
SERVICE AND MAINTENANCE HINTS IN
THIS USERS MANUAL... IF YOU
HAVE ADDITIONAL QUESTIONS...
REQUIRE TECHNICAL SUPPORT...
INTERESTED IN PURCHASING TANNING
ACCESSORIES...OR FUTURE
UPGRADES FOR NEW LAMPS... DO
NOT HESITATE TO CONTACT THE
AUTHORIZED DEALER WHERE YOU
PURCHASED YOUR TANNING BED.**

Location Requirements

Make sure the room size is at least 8' x 8' x 8' and is well ventilated. Air from the room is used to cool your tanning bed, which helps to ensure years of trouble free performance. Poor ventilation may cause the unit to overheat and cause discomfort to the user as well. If any of the cooling fans malfunction, turn off the tanning bed immediately, and do not use it again until it has been serviced. Place your tanning bed no closer than one foot from any wall. Be sure that curtains, drapes, and other room furniture is not obstructing the airflow into the end caps of the bed or out of the fan openings.

Unpacking Instructions

Your tanning bed comes in two cardboard cartons, one for the bench, and one for the canopy. Remove the bench and canopy from the plastic bags. The canopy box contains: the canopy unit and pedestal. The bench box contains: bench unit, users manual, pillow, and a hardware kit box containing legs, arms, safety goggles and assembly hardware. Inspect the items, including canopy and bench, for any visible damage. Report any such damage to your Authorized Dealer immediately.

Assembly Instructions

(Proper assembly of your tanning bed requires two people.)

Tools required – Assembling the tanning bed requires a ½ inch wrench

Parts List

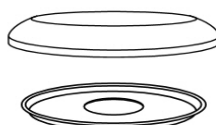
Item	Description	Quantity
A	Left Arm	1
B	Right Arm	1
C	Bench Leg	2
D	Gas Shocks	2
E	5/16 x 1 ½ Allen Bolt	2
F	5/16 x 1 ½ Hex Bolt	2
G	Nylon Cap	2
H	Steel Ring/Washer	2
I	Allen Wrench	1
K	Pedestal	3

Included Hardware

E. Allen Bolt



G. Nylon Cap

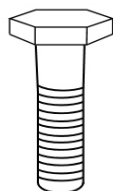


I. Allen Wrench

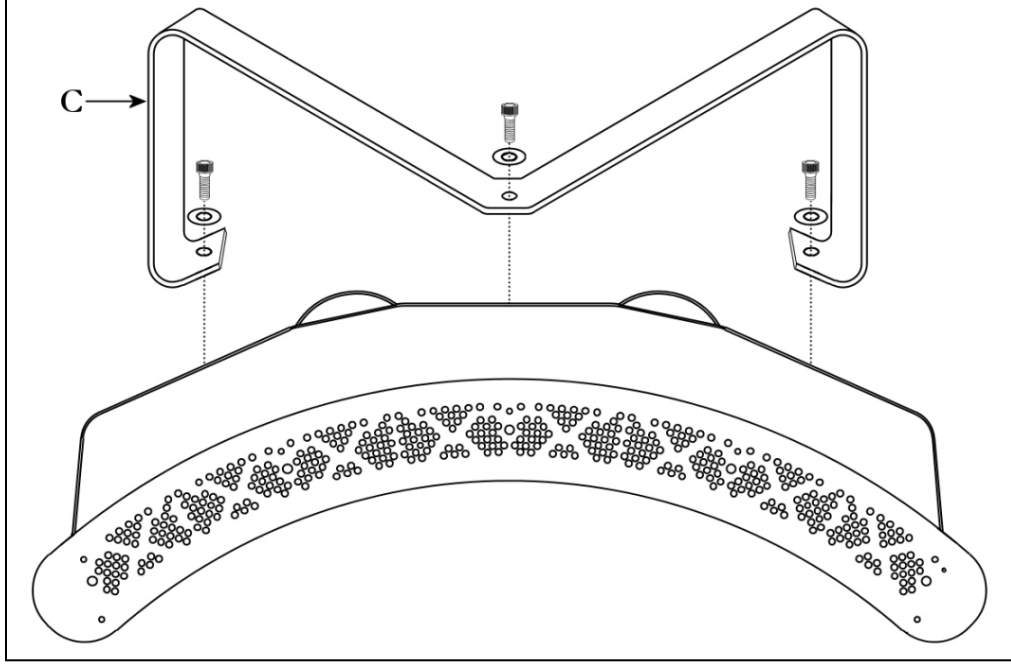


H. Steel Ring/Washer

F. Hex Bolt



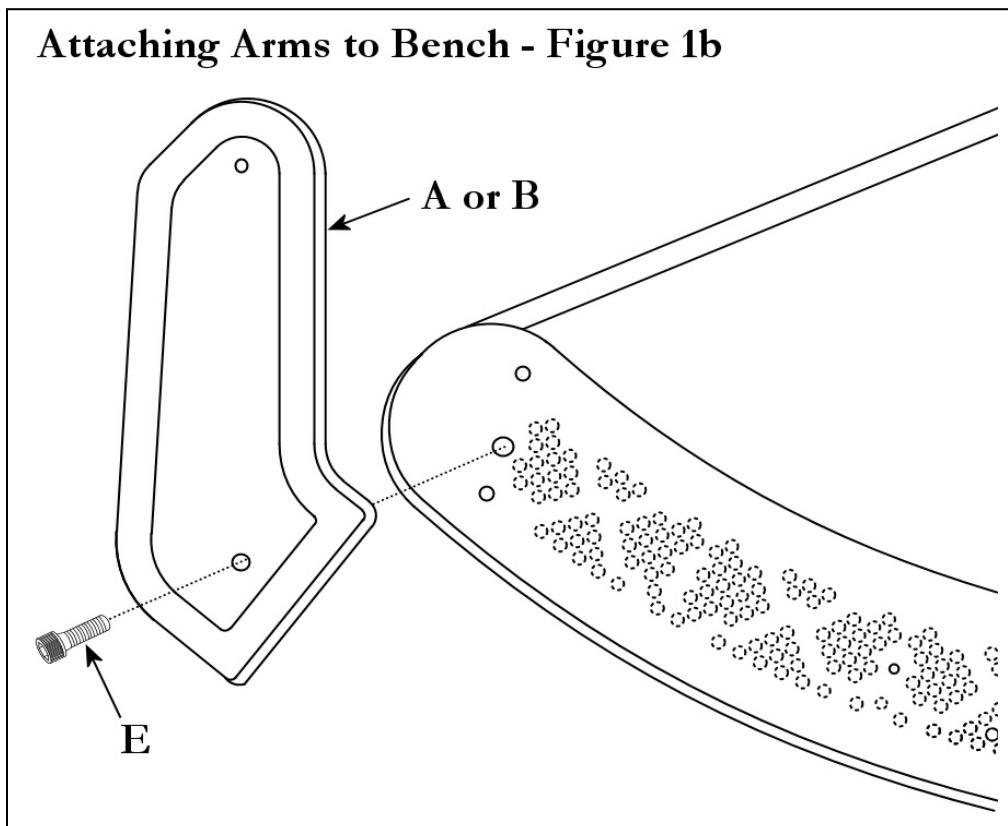
Attaching Legs to Bench - Figure 1a



Attaching Legs to Bench – Figure 1a

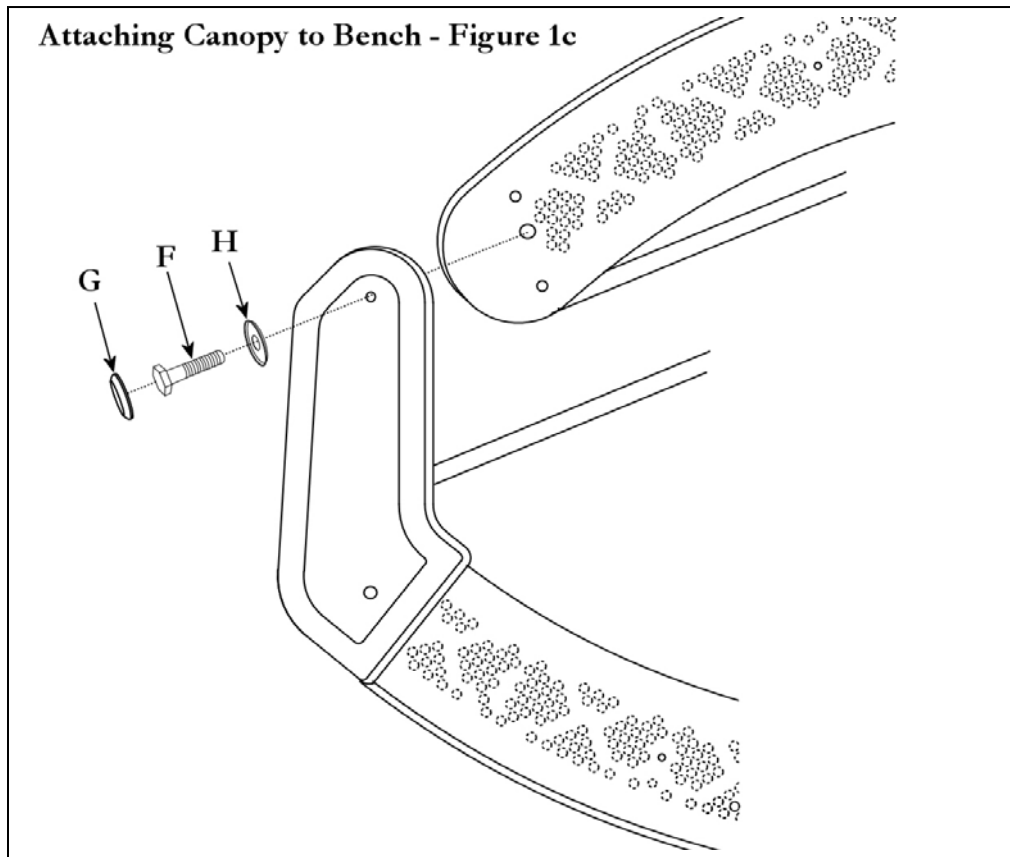
- Step 1. Lay the bench upside down on a soft material (i.e. carpet) (Figure 1a). Attach the legs using the washers and the allen bolts which are already in the bottom of the tanning bed. Use the allen wrench (I) to tighten.
- Step 2. Turn bench right side up on floor. Place so that the power cord connection is facing your wall outlet.

Attaching Arms to Bench - Figure 1b



Attaching Arms to Bench – Figure 1b

Attach the left arm (A) and the right arm (B) with the two allen bolts (E) to the bench (Figure 1b). Use the allen wrench (I) to tighten. Do not over tighten, doing so may cause damage.

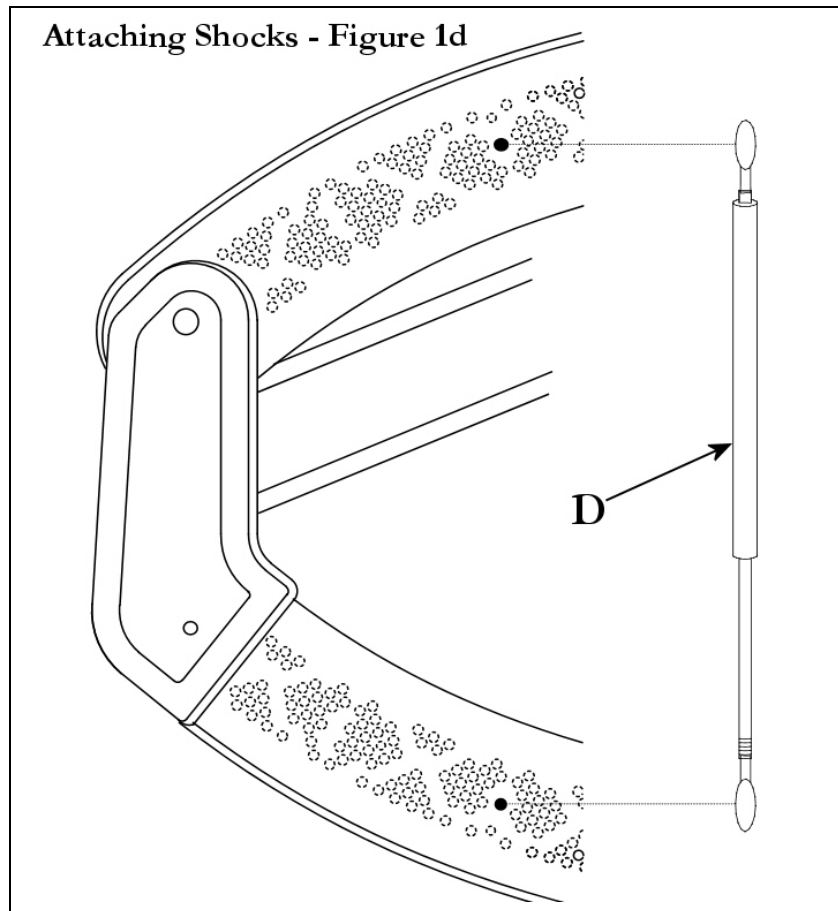


Attaching the Canopy to Bench – Figure 1c

Note: To make attaching the canopy to the bench easier, you may want to place some of the packing foam from the carton across the bench rails to protect the acrylic and support the weight of the canopy when attaching it.

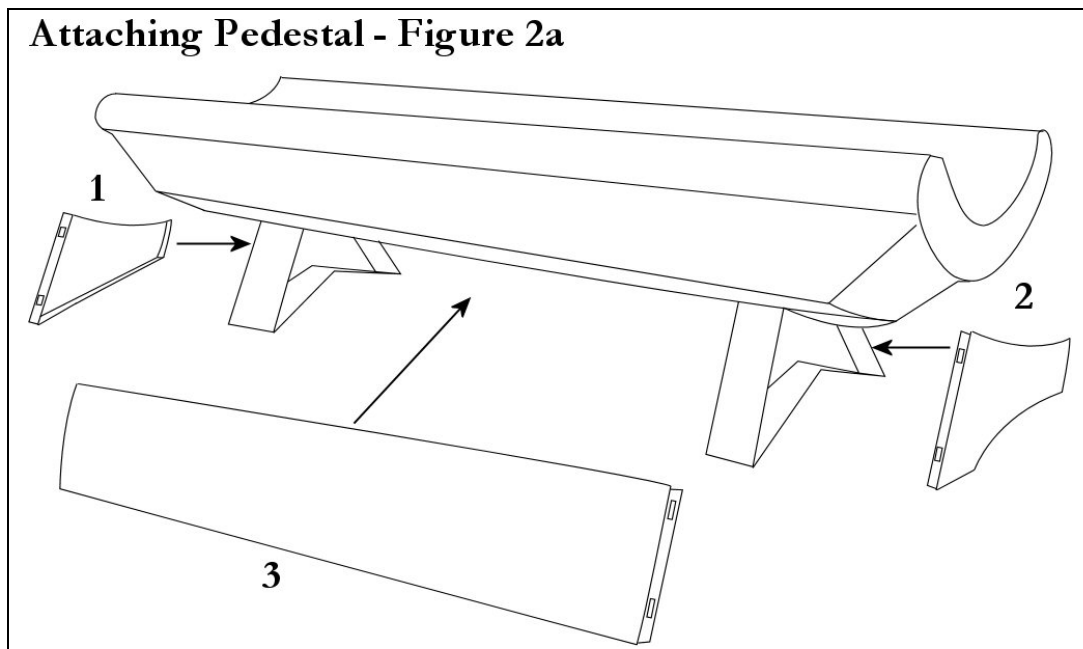
- Step 1. Two people are required for this step. Before lifting the canopy over the bench for placement, it is much easier to place the steel ring/washer (H), with the lip facing out, through the hex bolt (F) and have it ready in hand.
- Step 2. With one person at each end of the canopy unit, lift up the canopy above the bench and align the hex bolt holes from the canopy and the arms. Slip hex bolt (F) and steel ring/washer (H) through the aligned holes. Tighten hex bolt with a ½ inch wrench. To avoid damaging the threaded inserts, do not over tighten.
- Step 3. Cover the two hex bolts with the nylon caps (G).

Do NOT lower canopy until both gas shocks have been installed



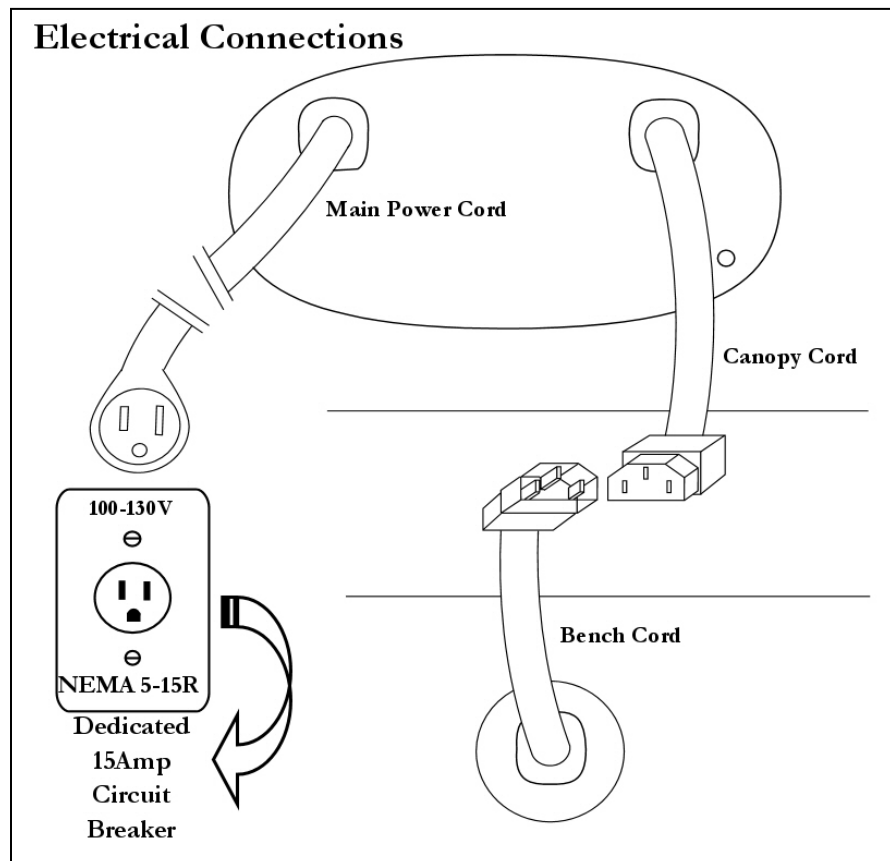
Gas Shock Directions – Figure 1d

- Step 1. While holding the gas shock, barrel end up, snap the ball end socket onto the top ball end of the canopy by pushing into place.
- Step 2. Lift the canopy to the maximum open position and snap the ball end socket onto the bottom ball end of the bench by pushing into place. Repeat for the second gas shock.



Assembling Pedestal

The pedestal is designed to cover the underside area and legs of the tanning bed. The pedestal comes in three pieces (2 sides, 1 front), with Velcro affixed to the sides. Begin by placing the smaller sections (sides) of the pedestal next to the legs with the Velcro towards the front. Remove the Velcro film. Place the front pedestal over the fronts of the pedestal sides and affix to the Velcro.



Making the Electrical Connections – see electrical requirements.
(Refer to table of contents.)

***WARNING!** Be sure electrical power is disconnected before connecting the canopy to bench cables.*

- Step 1. Connect the canopy to the bench power cord located on the back of the unit.
- Step 2. Plug the three-prong 120VAC power cord into a 15 Amp dedicated outlet.

NOTE: IT IS BEST TO UNPLUG THE TANNING BED WHILE NOT IN USE.



DO NOT CONVERT THE POWER CORD TO A TWO PRONG CORD OR USE ANY EXTENSION CORD.



AS RECOMMENDED FOR ALL ELECTRICAL APPLIANCES, THIS TANNING BED SHOULD NEVER BE OPERATED NEAR WATER OR WHILE YOU ARE WET.

Pre-Tanning Guidelines

This tanning bed is designed for use by one person at a time, not weighing more than 300 lbs.

Your Skin

Before tanning, be sure your skin is free of any tanning oils or lotions (except those approved for indoor tanning use), body lotions or cosmetics. Cosmetics or medications applied to your skin may increase your sensitivity to ultraviolet light. If you are taking any medication, or if you are especially sensitive to sunlight, we recommend that you consult a physician before using this or any tanning equipment. It is also recommended that you not bathe immediately before using this tanning bed as it removes natural body oils which protect your skin.

Your Eyes

FDA approved eye goggles are provided with this tanning bed and must be worn whenever the tanning bed is operating. **Regular sunglasses do not adequately protect your eyes from ultraviolet light.**

FDA approved eye shields should be worn while tanning and by everyone in the room while the tanning bed is in operation.

Your Hair

Your hair should be free of any gels, mousses, sprays, or other hair products prior to tanning. These products can cause damage to the tanning bed acrylic. We suggest you wear either a shower cap or place a towel or pillow under your head.

Exposure Schedule

Determine the correct exposure time according to your skin type.

Recommended Exposure Times – Shown in Minutes				
Skin Type:	Week 1	Week 2	Week 3	Week 4
I. Sensitive skin: burns easily and severely, does not tan	Not recommended for tanning!			
II. Light: burns easily and severely, tans minimally	4	6	8	10
III. Normal: burns moderately, tans average	6	8	11	15
IV. Dark: burns minimally, tans easily and above average	8	11	15	20
MAXIMUM EXPOSURE TIME IS 20 MINUTES				

ALLOW 48 HOURS BETWEEN ALL TANNING SESSIONS!

Using the Tanning Bed

- Step 1. Determine your exposure time as outlined in the preceding section.
- Step 2. If using indoor tanning lotion, apply before getting into the bed. Your Authorized Dealer can assist you with the proper tanning lotion for your skin type.
- Step 3. Put on goggles.
- Step 4. Activate the timer according to the instructions to follow.
- Step 5. Lift canopy. Lie down on the bench (face up). For best results, position the canopy as close to you as unit allows. When the timer reaches 0, the lamps will automatically shut off. To end the session before your pre-set time, simply raise the canopy and step out of the tanning bed.
- Step 6. Return the canopy to the upright position before attempting to sit up.

Timer Instructions

This model is equipped with a 20 minute mechanical timer.

- Step 1. Turn the timer dial clockwise to the desired session time. Timer will not allow more than 20 minutes. The lamps will illuminate, and the timer will begin counting down.
- Step 2. Once your time session has ended the lamps will automatically turn off at the end of the pre-set time.
- Step 3. If you want to turn the lamps off before the session has ended, simply get out and unplug the bed from the electrical outlet.



**Do not turn a mechanical timer dial backwards.
*This will damage the timer.***

Automatic Shut-off Timer

Your tanning bed is equipped with an internal backup shut-off timer which will automatically turn off your tanning system after 20 minutes. This important safety feature prevents the user from resetting the timer before the end of the pre-set maximum time interval.

Caring For and Maintaining Your Tanning Bed

THE TANNING BED SHOULD BE COMPLETELY SHUT DOWN AND UNPLUGGED FROM POWER SOURCE AT LEAST TWO (2) FULL HOURS BEFORE ANY CLEANING OR MAINTENANCE TO ALLOW THE TANNING BED TO ADEQUATELY COOL DOWN!!!!

Preventive Maintenance for Your Tanning Bed					
Recommended Care	After Each Session	Weekly	Monthly	6 Months	Every 1000 hours
Clean acrylic surface	x				
Clean pillow	x				
Clean goggles	x				
Inspect/clean vents		x			
Clean exterior of bed			x		
Inspect/clean reflectors				x	
Inspect/clean lamps				x	
Inspect/clean underside of acrylics				x	
Replace acrylics					x
Replace lamps					x

Cleaning and Acrylic Maintenance

IT IS NECESSARY TO THOROUGHLY CLEAN AND SANITIZE YOUR ACRYLIC AFTER EVERY USE TO ENSURE CAREFREE OPERATION AND TO MAXIMIZE ITS TANNING EFFICIENCY. THE ACRYLIC SHOULD BE CLEANED WITH A NON-ABRASIVE DISINFECTANT THAT DOES NOT CONTAIN AMMONIA AND/OR ALCOHOL. DO NOT USE COMMERCIAL CLEANERS SUCH AS WINDEX® OR 409®.

USE OF AMMONIA AND/OR ALCOHOL ON YOUR ACRYLICS WILL VOID THE WARRANTY!

Only use tanning bed cleaner, available at your authorized dealer. Spray the acrylic lightly, and wipe with a soft cloth.

Take the following steps to maintain your acrylic:

- When cleaning the tanning bed, use a cotton towel which is much less abrasive than a paper towel. Never wipe with a dry cloth, as this will generate a slight static, which attracts dust.
- Do not use oils of any kind or lotions when tanning, except those approved specifically for indoor tanning use, such as Electric Beach™, available at your authorized dealer. Products not approved for indoor use will break down the acrylic.
- In order to keep the acrylic from being scratched, jewelry should not be worn while tanning.

Acrylic Removal

Canopy and Bench Acrylic Removal



Warning! *Disconnect bed from electrical power before servicing!*

- Step 1. Stand in front of bed. Using a small, flathead screwdriver, insert the flat head into either end of the black acrylic trim strip. Pry up slowly to grasp edge of strip and continue to pull away from unit until it is completely removed. Repeat procedure for second strip of acrylic trim.
- Step 2. It may be necessary to slightly *loosen* the end cap screws to help remove the acrylic. **NEVER REMOVE END CAP SCREWS!**
- Step 3. With the flathead screwdriver, pry the acrylic up and over the lip in the bed rail. It is recommended you have two people to remove acrylics. Begin by grasping the long edges of the acrylic which are now exposed.
- Step 4. Standing in front of the bed, grasp the long exposed edge of the acrylic and carefully slide it toward you until it is removed. BE CAREFUL – the edges of the acrylic may be sharp.

Acrylic Re-installation

- Step 1. Place acrylic back on bed. Tighten end cap screws.
- Step 2. Take one end of the black acrylic trim and press firmly onto the aluminum frame pushing into the opening. The longer flat edge of the trim must be against the top of the acrylic.
- Step 3. Place the palm of your hand on the trim, and apply pressure along the edge until the trim is firmly in place.

Lamp Removal & Re-installation

The tanning lamps are rated up to 1000 hours of use. You may elect to change lamps sooner.

- Step 1. After removing acrylics, grasp a lamp at one end and at middle. Turn the lamp a quarter turn. The lamp may then be gently removed from its holder.
- Step 2. Hold lamp with brand name label facing toward the acrylic and to the left side of the bed. To install the lamp, insert the pins located on the ends of the lamp into the slots on top of the lamp holder and turn the lamp a quarter turn to hold in place.

For lamp replacement, refer to “Lamp Cleaning” section to follow. Lamps used longer than 1000 hours have lost their tanning power even though they will continue to light.

The following lamp types have been certified by the United States FDA for use in your tanning system:

- Solara Classic (PN 533000)
- Solara Classic ReNew (PN 532008)
- Solara Classic Infra Red (PN 532007)
- Solara Classic ReFresh (PN 532010)

You may purchase tanning lamps from your authorized dealer.

Do not use lamps other than those specified. To do so will void your warranty and FDA certification.

Lamp Cleaning & Replacement

Depending on the amount of usage, it is recommended that you clean your lamps every six months. To remove the acrylic, see Table of Contents. After all the lamps have been removed, use a soft cloth and a non-abrasive cleaner to wipe down the aluminum reflectors. Take care not to scratch them because scratched or damaged reflectors will reduce the tanning capability of the tanning unit. Gently wipe the entire length of the lamp with a damp cloth to remove any film buildup. Vacuum reflector area using a soft brush attachment.

How to Obtain Service

1. Review the “Helpful Service Hints” to follow.
2. If you require additional assistance, contact the Customer Service Department at the Authorized Dealer where the bed was purchased. If it becomes necessary to replace a warranty part, proof of purchase is required to obtain warranty service. ***It is important to keep your store receipt.***
3. For non-warranty parts replacement or for routine maintenance, contact your Authorized Dealer.

Helpful Service Hints	
Lamps will not light	<ul style="list-style-type: none"> ● Is the tanning bed on using the timer system? ● Is the tanning bed plugged into the electrical receptacle? ● Are the power cords securely connected from the canopy to bench? ● Is your bed on a 15 Amp dedicated circuit breaker? ● Check the power supply. You may have to reset the circuit breaker. This is due to not having a 15 Amp dedicated breaker or having too many devices on the proper breaker pulling too much amperage while tanning. ● Verify that the voltage coming out of the wall is safe for this product. Your voltage should not exceed 130 Volts. ● The lamp may not be locked into place. You may need to hand twist back into locking position ● The lamp may be burnt out. Removal of the acrylic may be needed. Refer to Acrylic Removal section of this manual. Remove a lamp that lights and place it in the spot where the lamp was out. If this new lamp doesn't light in this position the ballast may need to be replaced. If it does light, the first lamp may need to be replaced.
Two or three lamps located next to each other are not lit	Possibly a ballast problem due to a power surge in your household electrical system. Contact your Authorized Dealer for replacement assistance.
Canopy fails to stay in the upright position	Double check assembly instructions. Gas shocks may have been put on upside down. See page 10.

Lamp Configuration - Mercola 18 Vitality Bed

Solara Lamp	Classic	ReNew *	Infra Red	Total
Canopy	6	4	0	10
Bench	6	0	2	8
				18

Lamp Configuration - Mercola 18 ReFresh Bed

Solara Lamp	Classic	ReNew	ReFresh **	Infra Red	Total
Canopy	6	2	2	0	10
Bench	6	0	0	2	8
					18

*Solara Classic ReNew lamps are centered in the canopy. **Refresh Lamps are centered in the canopy with ReNew lamps on either side. Solara Classic Infra Red lamps are centered in the bench. Contact your authorized dealer regarding future lamp replacement/options.

Frequently Asked Indoor Tanning Questions?

Is there a safety reset switch?

No. If the bed will not turn on, verify the outlet has power. If the timer will not respond, the bed needs to be serviced. Unplug it and call the dealer the bed was purchased from.

Do tanning lotions really make you tan faster?

Yes. Depending on your skin type, when you use the appropriate accelerator, you will achieve a darker tan in less time than if using no accelerator.

How many times do I have to use the bed before I get a tan?

That depends on your skin type and how fast you tan. It will probably take you approximately 16 sessions to achieve the results you want. (See recommended exposure time chart.)

Do I have to take my contact lenses out before I tan?

No, if you wear protective FDA approved eyewear.

Do I really have to wear Goggles?

Yes. If you use a tanning bed without eye protection, your eyes may be damaged by the UV rays. FDA approved goggles that you wear are very important. Your eyelids alone offer almost no protection against ultraviolet light, which may cause damage to the eye. Not using proper eye protection may also result in short term effects such as tired, itchy eyes, headaches and loss of night vision.

Nude Tanning

Parts of the body that have never been exposed to the sun before will turn pink or even red. They might even break out with a rash. This is caused by an over-exposure to the ultraviolet rays. It takes these parts longer to start the tanning process.

Rashes

Heat rashes, or “tanner’s itch” indicate that the light and heat generated by tanning bulbs or the sun have dried your skin. Itching can also result from a reduced rate of melanin production in a particular area of your body. Melanin is the protective skin pigment found in varying amounts in everyone’s skin. If you begin tanning in the nude, you may find that previously unexposed areas develop an itch. This is natural so don’t be alarmed; just discontinue tanning for a few days, and then slowly build up time allowing melanin production to increase. Heat rashes may also have a slight redness and itching, which occurs from getting too many UV rays. It’s dryness to the skin or reactions to cosmetics, medications or foods that may contribute to this. If a medication, irritation, cosmetic or food is causing the rash, you should stop tanning until the rash disappears.

Photosensitivity

A photosensitivity reaction does not depend on the presence or absence of a suntan or sunburn, although it often accompanies them. Photosensitivity reactions are immunological or toxicity reactions and result from the presence of photosensitizing agents and UV light. Photosensitivity reactions are characterized by reddish skin with elevated poison ivy-like bumps and can occur in areas that were not exposed to the sun. They frequently produce little or no discomfort. On the other hand, phototoxic reactions, another type of photosensitivity reaction, are usually accompanied by symptoms similar to that of sunburn. Once a person gets a photosensitivity reaction, they are more likely to have a recurrence under the same conditions in the future. (Mayo Clinic 1993)

Symptoms of Photosensitivity

Usually severe burning

Often occurs in patches and in small areas of the body.

Blotch formation

This could be a result of heat as well as light.

Rash (Photodermis)

Redness induced by light. May be the cause of itching and may appear all over the body.

Uneven pigmentation

Could be the result of light exposure combined with medication, or it might be the result of non-light related factors such as genetic factors, pressure points or a fungus

Common diseases which react unfavorably with UV light (are exacerbated by UV):

- Herpes Simplex
- Lupus Erythematosoyus (swelling of the nerve endings)
- Porphyrria-severe (extreme sensitivity to any source of light)
- Vitiligo (irregularly shaped patches of skin with no pigmentation and dark borders)
- Skin cancers (Basal, Squamous, and Melanoma)

Photosensitivity reactions may be triggered by medicines included in, but not limited to the following general list. (This means you might turn red or burn when taking them with exposure to the sun or a tanning bed):

If you are taking any medication, you should consult with your doctor before tanning.

Antibiotics in the Tetracycline Family

Anticancer Drugs
Anticonvulsants
Antidepressants
Antidiabetics
Antihistamines
Antihypertensive Medications
Antiseptic Creams
Birth Control Pills
Retin-A
Sulfonamides (often for urinary tract infections)
Tranquilizers
Water Pills

Medications to avoid when tanning

Acne medications
Antibacterial Drugs
Antibiotics
Anticancer Drugs
Antidepressants
Antihistamines
Anti-inflammatory Drugs
Antiparasitic Drugs
Birth Control Pills
Diabetes Drugs
Diuretics
Psoralen Drugs (topical or oral)
Tranquilizers/Antipsychotic Drugs

For more information on photosensitivity, please see the following websites:

<http://www.fda.gov>

<http://www.emedicine.com>

<http://www.intelihealth.com>

<http://www.lupus.org>

<http://www.photosensitivity.org>

Pregnancy

You should consult with your doctor before tanning while pregnant.

FOR ADDITIONAL ASSISTANCE:

**PLEASE REVIEW THE HELPFUL
SERVICE AND MAINTENANCE HINTS IN
THIS USERS MANUAL... IF YOU
HAVE ADDITIONAL QUESTIONS...
REQUIRE TECHNICAL SUPPORT...
INTERESTED IN PURCHASING TANNING
ACCESSORIES...OR FUTURE
UPGRADES FOR NEW LAMPS... DO
NOT HESITATE TO CONTACT THE
AUTHORIZED DEALER WHERE YOU
PURCHASED YOUR TANNING BED.**

Warranty Information

Use of this product in a commercial tanning application automatically results in the voiding of any and all manufacturer's warranties!

Record and retain this information for ease of service:

Authorized Dealer Name _____

Store Address _____

City _____ State _____

Zip Code _____ Phone _____

Salesperson _____

Date of Purchase _____

Bench Serial Number _____

Canopy Serial Number _____

Attach your receipt to this manual.

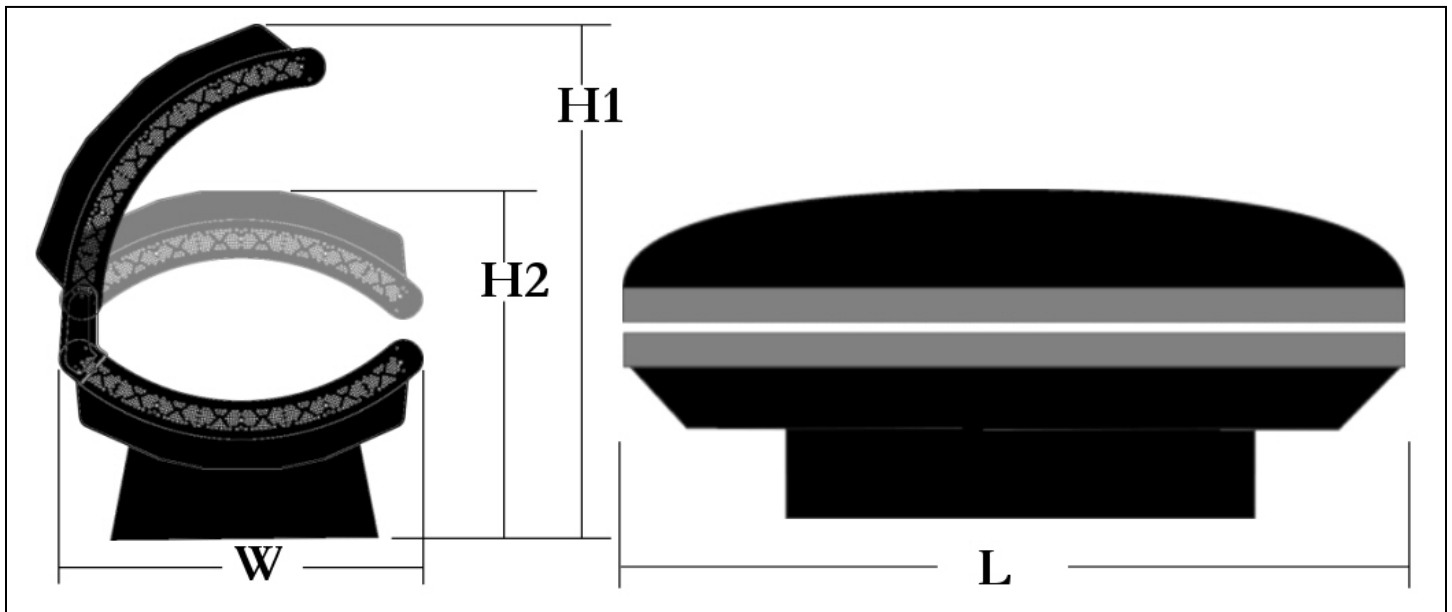
Tanning Bed General Specifications

Required Receptacle*	NEMA 5-15R
Receptacle Voltage*	120V 60Hz
Minimum Room Size	8' x 8' x 8'
Maximum Ambient Room Temperature	80°F
Lamp Hours	1000

*Refer to Electrical Requirements. (See Table of Contents.)

Size Chart

Height Open “H1”	Height Closed “H2”	Width “W”	Length “L”
46	28	32	76



Warning Label Information

DANGER! Ultraviolet radiation! Follow instructions. Avoid overexposure. As with natural sunlight, overexposure can cause eye and skin injury and allergic reactions. Repeated exposure may cause premature aging of the skin and skin cancer. **FAILURE TO WEAR PROTECTIVE EYEWEAR MAY RESULT IN SEVERE BURNS OR LONG-TERM INJURY TO THE EYES.**

WARNING: Read the instruction booklet before using this sunlamp product. All persons in the room should wear protective eyewear when lamps are on. Recommended eyewear: Provided eye shields or equivalent eyewear as defined under 21CFR 1040.20. Other types of eyewear may not provide adequate protection. If discomfort develops, discontinue use and consult a physician.

Medications or cosmetics may increase your sensitivity to the ultraviolet radiation. Consult physician before using sunlamp if you are using medications or have a history of skin problems or think you are especially sensitive to sunlight. If you do not tan in the sun, you are unlikely to tan from the use of this product. Children, the elderly, or fair skinned people who always burn easily and either never tan or tan minimally, should not use this equipment.

To use, lie down on bench and pull canopy down as far as adjustment will allow maintaining at least 2 inches (5.1 centimeters) between your body and canopy, to avoid overexposure.

This product is in conformity with performance standards for sun lamp products under 21 CFR Part 1040.20 and ANSI/UL Standard 482.

Never tan more than once a day and allow 48 hours between tanning sessions. Tanning normally appears after the first few sessions and maximizes after approximately four weeks. Tan once or twice per week thereafter to maintain desired appearance.

ONLY THE FOLLOWING LAMPS HAVE BEEN CERTIFIED FOR USE IN THIS EQUIPMENT:

Solara Classic (PN 533000)
Solara Classic ReNew (PN 532008)
Solara Classic Infra Red (PN 532007)
Solara Classic ReFresh (PN 532010)

RECOMMENDED EXPOSURE TIMES – IN MINUTES MAXIMUM EXPOSURE TIME IS 20 MINUTES

SKIN TYPE	WEEK:	1	2	3	4
1 Sensitive Skin (Burns easily and severely and does not tan)		NOT RECOMMENDED FOR TANNING			
2 Light (Burns easily and severely and tans minimally.)		4	6	8	10
3 Normal (Burns Moderately and tans average.)		6	8	11	15
4 Dark (Burns minimally, tans easily and above average.)		8	11	15	20

Disconnect power cord before attempting to clean, re-lamp, or engage in the maintenance of this product.