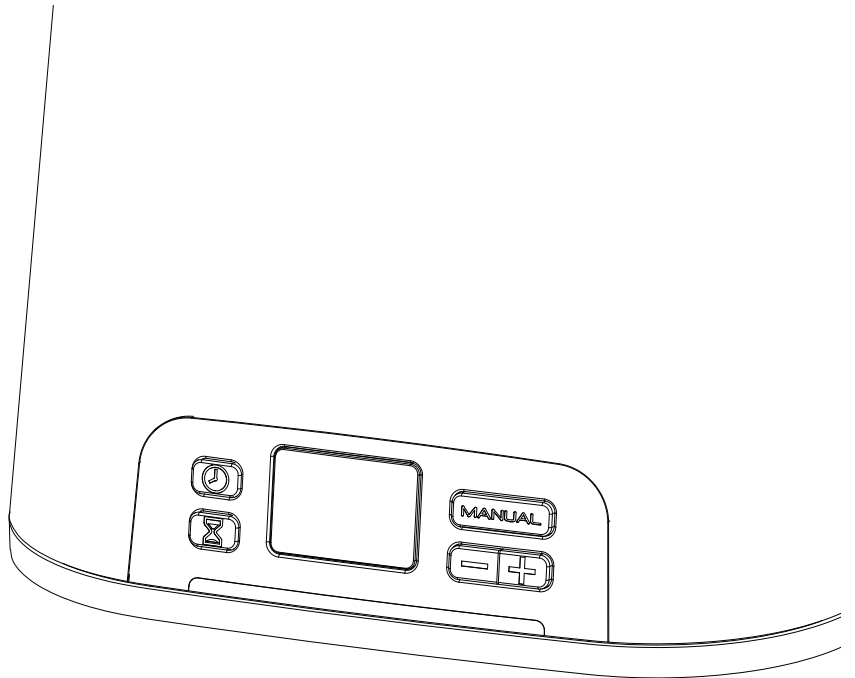


SoClean.2[®]

CPAP Sanitizer User Guide



Thank You!

Thank you for your purchase of the SoClean 2 CPAP sanitizing system. At Better Rest Solutions we are committed to providing innovative and safe methods that can improve the health and well being of our customers. We hope that the SoClean will do just that for you. Please familiarize yourself with this manual, and the operation of the unit. After a few easy steps, you'll find that daily sanitizing of your CPAP equipment has never been easier. This unique process eliminates bacteria, mold, viruses, and other pathogens. It does all this by using gaseous activated oxygen alone—no need for liquid sanitizers or messy preparations. Please feel free to contact us with any questions or concerns you might have.

BetterRest®

Contents

1. Safety and Technical Specifications	4
2. Included with your SoClean	5
3. Important Supplies	6
4. Getting Started	7
5. Your SoClean Timer & Display	11
6. Using your SoClean	15
7. Maintaining your SoClean	17
8. FAQ	18

Safety and Technical Specs



DANGER: Keep away from water sources including rain, bathtubs, sinks and pools.



DANGER: Keep away from children. It is not a toy!



DANGER: Do not use in explosive air environments, near gas vapors, or other flammables, etc.



DANGER: Do not place any items on top of SoClean Unit, particularly flammables or ignitable items.



DANGER: Never place any living thing (including pets) inside.



WARNING: Do not dismantle the SoClean unit.



WARNING: Do not run the SoClean for more than 30 minutes consecutively.



WARNING: Please be aware that there are sensitive electronics inside the SoClean. If you need to clean your SoClean, wipe with a damp cloth. Do not submerge your SoClean or use any chemical cleaners to clean out the inside of the SoClean chamber.

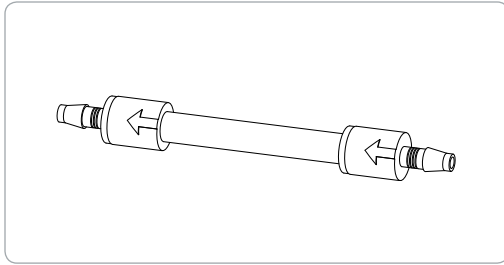
Weight: 5.6 lbs | **Dimension:** 7.5"l x 6.5"w x 8.5"h | **Cord Length:** 4' 8"

Electrical: 12 VDC | **Power consumption:** 5 Watts | **Warranty:** 1 year warranty

Included with your SoClean

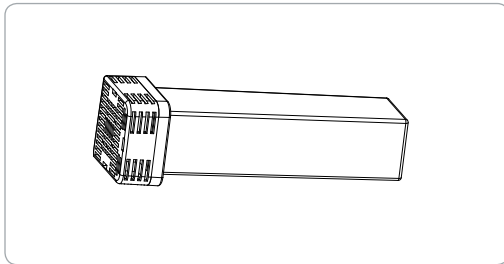


Important supplies



Check Valve Assembly (installed)

Prevents water in your humidifier reservoir from backing up into your SoClean machine. If you can see water in the clear tube, replace the check valve assembly immediately. **Replace every 6 months.**



Filter Cartridge (installed)

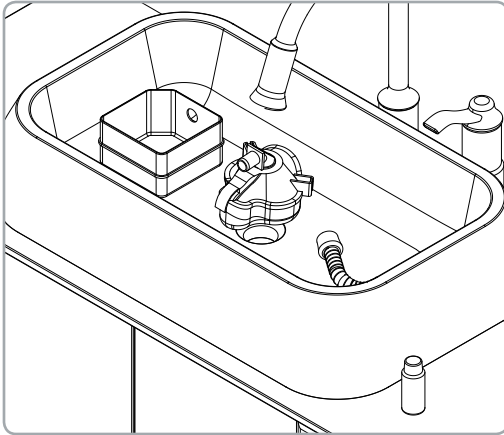
This filter converts activated oxygen back into normal oxygen. **Replace every 6 months.**



Neutralizing Pre-Wash

Fragrance-free hypoallergenic cleaning solution. The pre-wash neutralizes any pre-existing odors from detergents, and removes any residue from the manufacturing process that could react with activated oxygen. Use the pre-wash whenever you hand wash your CPAP equipment.

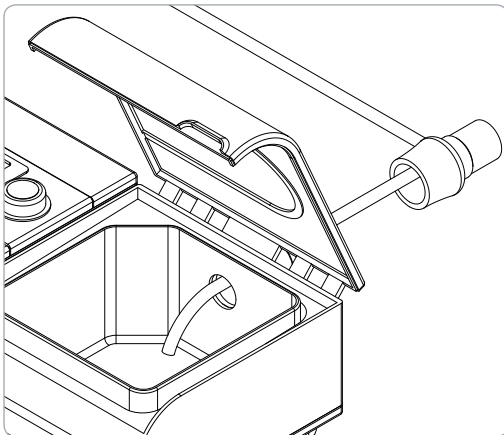
Getting Started



1. Pre-washing your Equipment

Use $\frac{1}{4}$ of the included pre-wash with a gallon of water to wash your CPAP equipment (mask, hose, and reservoir), then rinse thoroughly with clean water.

Note: The SoClean uses no fluids in its operation. The pre-wash is supplied for hand washing your CPAP equipment only.

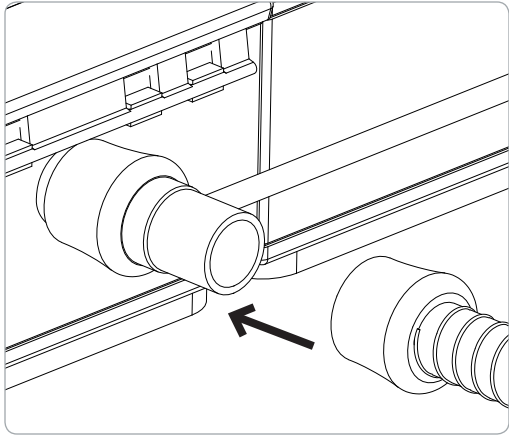


2. Installing the Injection Fitting

With humidifier: Disconnect your CPAP hose from your CPAP machine. Position the injection fitting onto the port of your reservoir, allowing the smaller hose to enter into and rest on or near the bottom of the reservoir. If necessary, trim the injection hose if to fit in the reservoir.

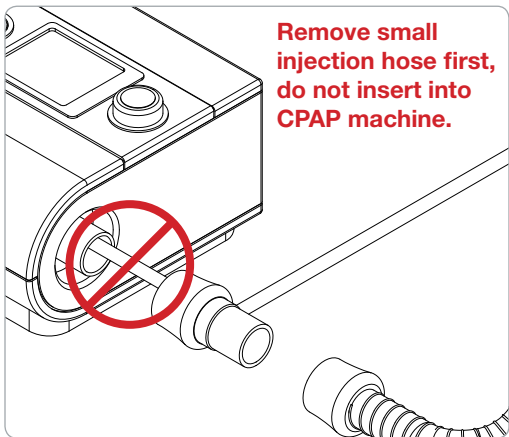
Note: If you keep water in the reservoir, it is recommended to keep the end of the injection hose below the water level.

Getting Started *continued*



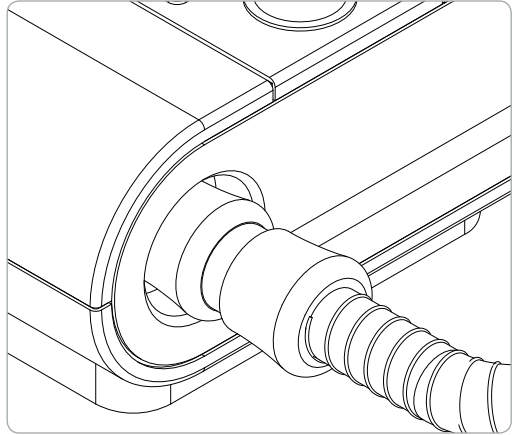
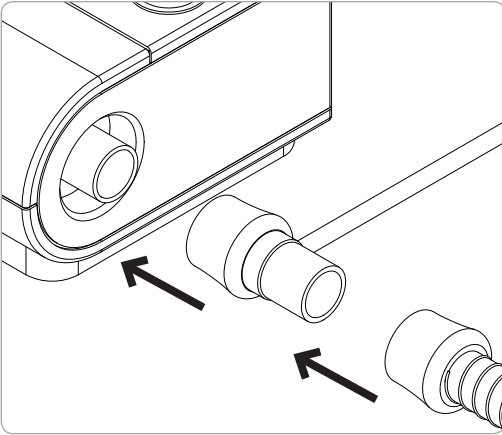
Now connect your CPAP hose to the end of the injection fitting.

Note: Different reservoirs may require different approaches to hose insertion. If you have difficulty, visit www.BetterRestSolutions.com for information on various humidifier models, or contact Better Rest Solutions directly at 1-866-501-3705.

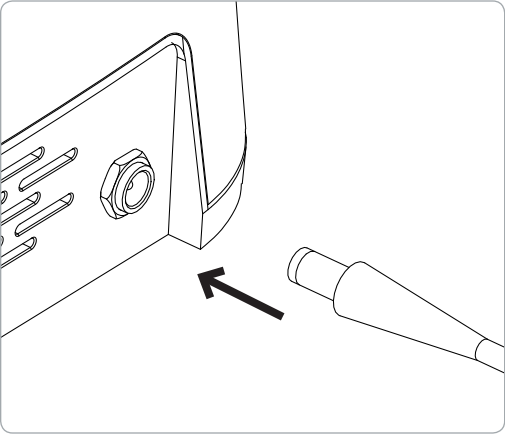
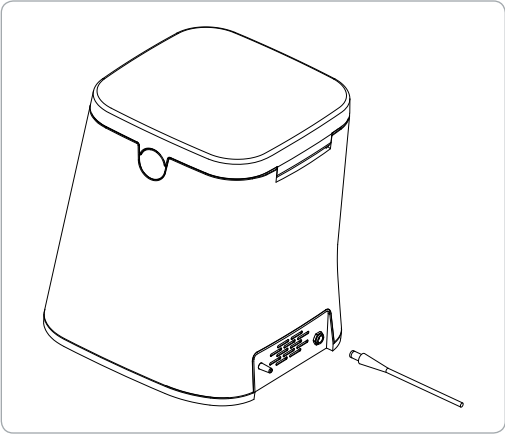


Without humidifier: If you are currently not using a humidifier, remove the short length of black hose from the inside of the injection fitting by pulling it straight off, and then attach the fitting directly to your CPAP machine. Reconnect your CPAP hose to end of the injection fitting.

Getting Started *continued*



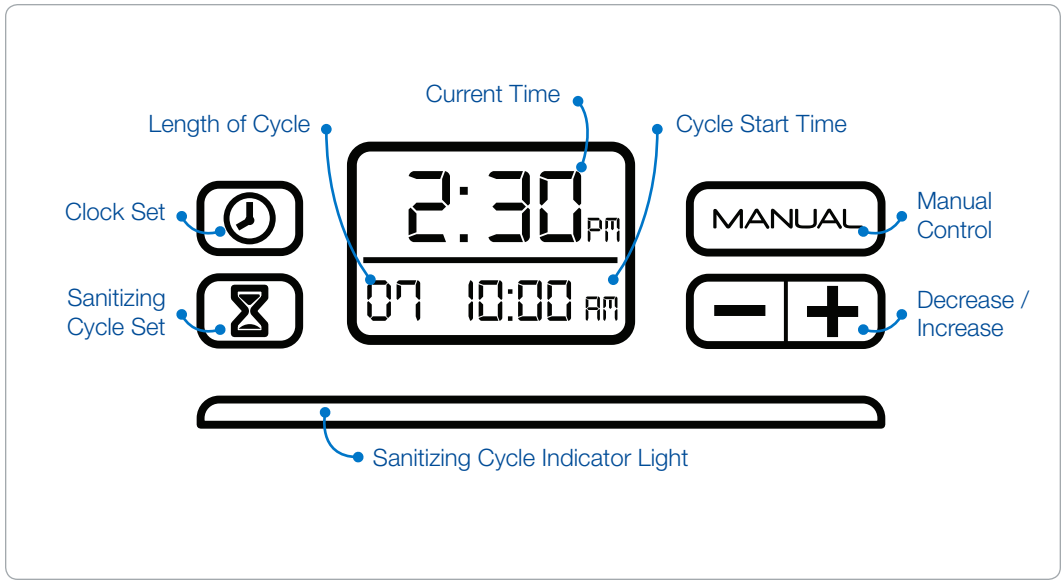
Getting Started *continued*



3. Power Up

Plug your AC adapter into the back of the SoClean and then into a wall outlet. Proceed to set your timer.

Your SoClean Timer & Display



Your SoClean timer will allow you to completely automate your daily cleaning. The SoClean comes preset to start a 7 minute cleaning cycle at 10:00 am. First set the clock to match your current time. You can easily change these settings by following the steps on the next page.

If you unplug the SoClean or experience a power loss, you will need to reset the current time only. The sanitizing settings will remain saved.




Your SoClean Timer & Display *continued*

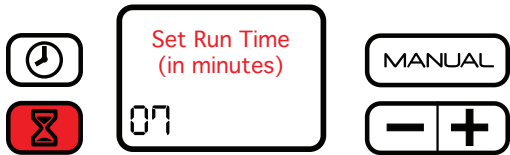


Setting the Clock

Press the  button.

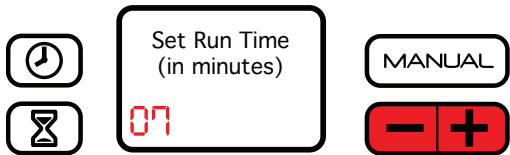




Change the time by pushing either the  or  button until your current time is reached. By holding down the button the time moves faster. Press the  button once more to store your time and return to the home screen.



Setting the Run Time and Duration


Press the  button.





Press the  or  button to decrease or increase the number of minutes of your run time.

Note: A run time of 5 to 10 minutes should be enough to completely sanitize your equipment.




Press the  button again and you will be prompted to set the time of day you would like to run your SoClean.



Use the  or  button to reach the desired time. Press the  button once more to store your settings and return to the home screen.




Manual Mode



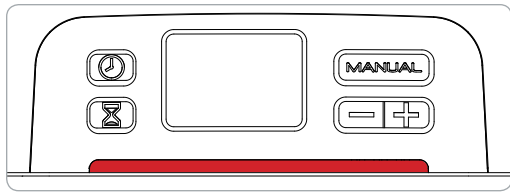
For those times when you wish to sanitize your equipment other than during your scheduled cycle, simply place your mask inside the SoClean like you normally would and press the  button. The SoClean will then operate according to your preset run time. Your timer settings will not be affected. As with your normal sanitizing procedure, wait for the green light before removing your mask.

24-Hour Clock



If you prefer your clock to display in the 24-hour format (military time), press the  and  buttons. You will then be prompted to choose either the 12 or 24-hour format. Press the  button to save your setting.

Your SoClean Timer & Display *continued*



Cycle Indicator Light

The lighted bar below the clock display indicates which stage of the sanitizing cycle the SoClean is in.

RED when the SoClean is operating and generating activated oxygen.

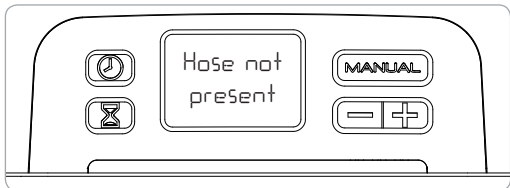


YELLOW when the SoClean is in its 2-hour sanitizing cycle.



GREEN when sanitizing has been successfully completed.

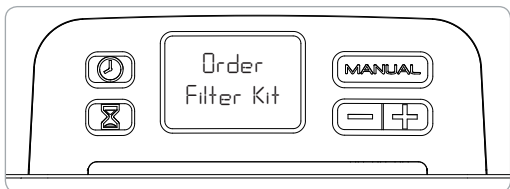
The lighted display will turn off once the lid is lifted.



Display Messages

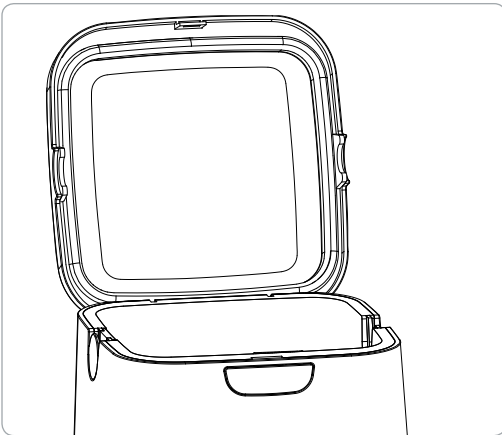
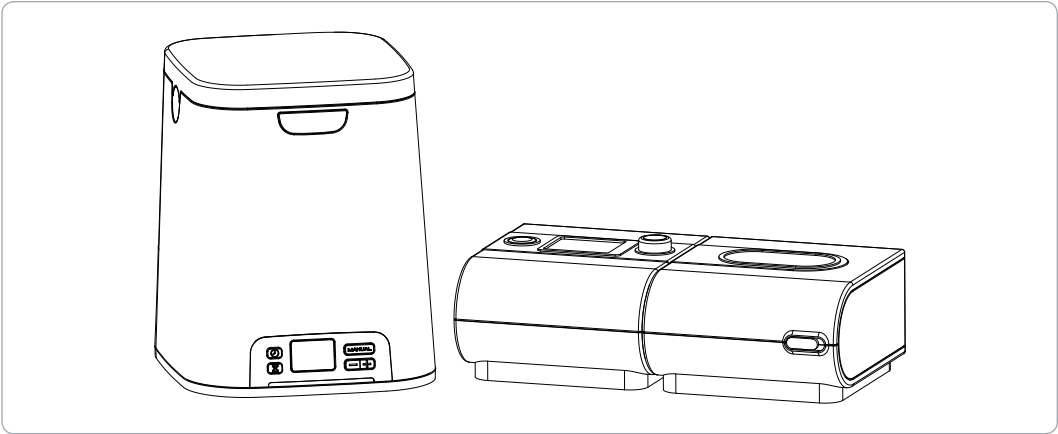
Hose not present. Cycle will not run:

This message displays during the manual mode when there is no mask/hose in the SoClean, the lid is not properly closed, or the hose slot plug is missing or improperly seated.



Order filter kit: This message displays after approximately 6 months of use as a reminder to order a replacement filter and check valve kit.

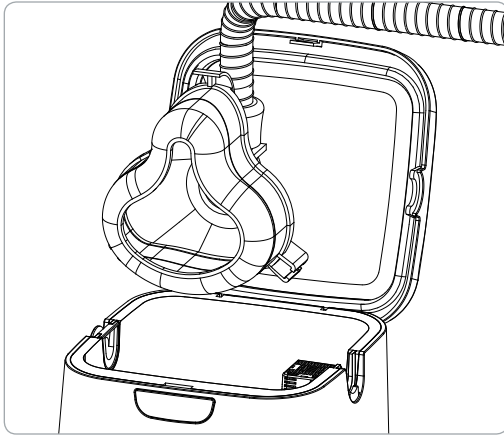
Using Your SoClean



After the initial setup, using your SoClean unit is extremely easy. You will not need to disassemble any components to sanitize your equipment daily.

1. Open the lid.

Using Your SoClean *continued*

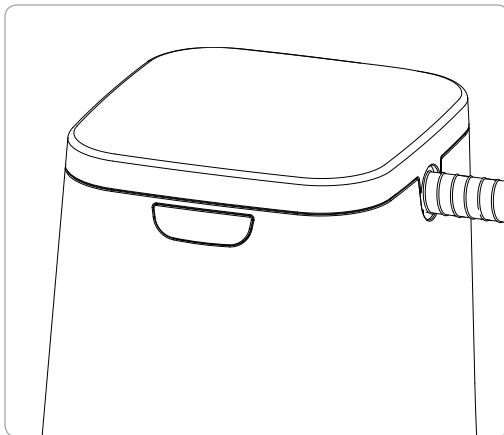


2. Insert your mask into the chamber allowing its attached hose to rest in the open hose slot.

Note: The SoClean gives you the option of inserting your mask and hose from either side of the machine. To change sides, remove the hose slot plug from its position by lifting it straight out, and insert it into the slot on the opposite side.

3. Close the lid.

The SoClean will now automatically operate according to its preset time and duration.



Note: The SoClean will never operate without the mask and hose present in the securely closed chamber. Additionally, the SoClean will not operate if the hose slot plug is missing or improperly seated.

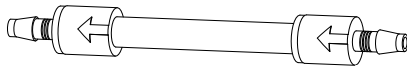
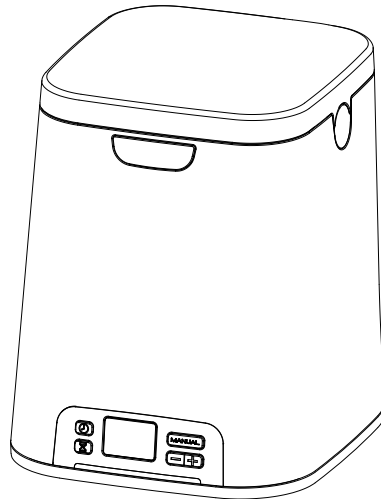
Important: Even though the actual run time of the SoClean may only be 5 to 10 minutes, it is necessary to let the mask remain in the closed chamber for at least 2 more hours. After that period, the cycle indicator light will shine green as a sign that all sanitizing is complete and the mask is ready to be removed from the chamber.

Maintaining Your SoClean

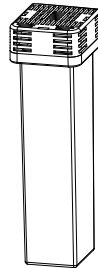
To remove dust, you may wipe down the SoClean with a damp cloth.

The SoClean check valve assembly and filter cartridge should be replaced every 6 months. A reminder message on the display will appear after approximately 6 months, depending upon usage.

Visit www.BetterRestSolutions.com or an authorized distributor to purchase a Cartridge Filter Kit.



Check Valve Assembly
REPLACE EVERY 6 MONTHS



Cartridge Filter
REPLACE EVERY 6 MONTHS

FAQ

1. Will my CPAP equipment be wet from the SoClean? No. The SoClean sanitizes with activated oxygen. No fluids or water are used in this process.

2. Is the SoClean harmful to me or the environment? No. The activated oxygen generator is always kept at a safe level and never reaches the outside environment.

3. How do I know that my SoClean is truly sanitizing? After the sanitizing process has been successfully completed, the cycle indicator light will shine green. Your CPAP equipment will have a light, clean scent.

4. What if the scent the SoClean leaves is too strong for me? If you have already treated your equipment with the Neutralizing Pre-Wash, and still feel that the scent is too strong, there are a number of things you can do: (1) Before wearing your mask at bedtime, run your CPAP for

20 seconds to allow any residual scent to be blown out. (2) Set the timer so that treatments take place earlier in the day, allowing any residual scent to dissipate by nighttime. (3) Reduce the treatment duration time. You can cut back to as little as 5 minutes and still receive effective sanitizing. (4) Sanitize your equipment every other day instead of daily.

5. What if my indicator light is shining red or yellow? This means that the sanitizing process is not yet complete. Please wait until the light shines green to remove your CPAP equipment from the SoClean chamber. (see page 14)

6. What if my indicator light is not shining after a scheduled cleaning time? This would indicate that the SoClean did not carry out its scheduled sanitizing. Common reasons for this are that the lid was not securely closed, there was no mask in the chamber at cleaning time or the open hose slot plug is missing or not properly seated.

7. What if I missed my scheduled sanitizing time, but still wish to sanitize my equipment? In these instances you can use the Manual feature. See your User Guide on how to do this. (see page 13)

8. Why does my display say Order Filter Kit? This message appears approximately every 6 months, depending upon usage, as a reminder to regularly replace the filter and check valve assembly.

9. Are there materials that I should avoid putting into the SoClean? Nylon and natural rubber break down when exposed to activated oxygen. Most manufacturers typically do not use these materials in their reservoirs, hoses, masks or headgear. If you have questions in this regard, contact your CPAP manufacturer, supplier or Better Rest Solutions.

10. Will I ever need to wash my CPAP equipment again? The SoClean is intended to supplement, not replace, the manufacturer's recommendations for cleaning their equipment.

For further questions or concerns, please feel free to search our website www.betterrestsolutions.com, or contact us at 866-501-3705.

USER GUIDE

**For more information about
SoClean 2
or our other innovative products, please visit
www.betterrestsolutions.com**

Copyright © 2011-2013 www.betterrestsolutions.com
is a division of Inceptus, Inc.
SoClean™ is a trademark of Inceptus, Inc.
Uxbridge, MA 01569-2001

Edition 10/01/13