

CUPANEL

Hardware Manual

(CPB070A / CPW070A / CPB102A / CPW102A)

[Version 1.0]



COMFILE
TECHNOLOGY

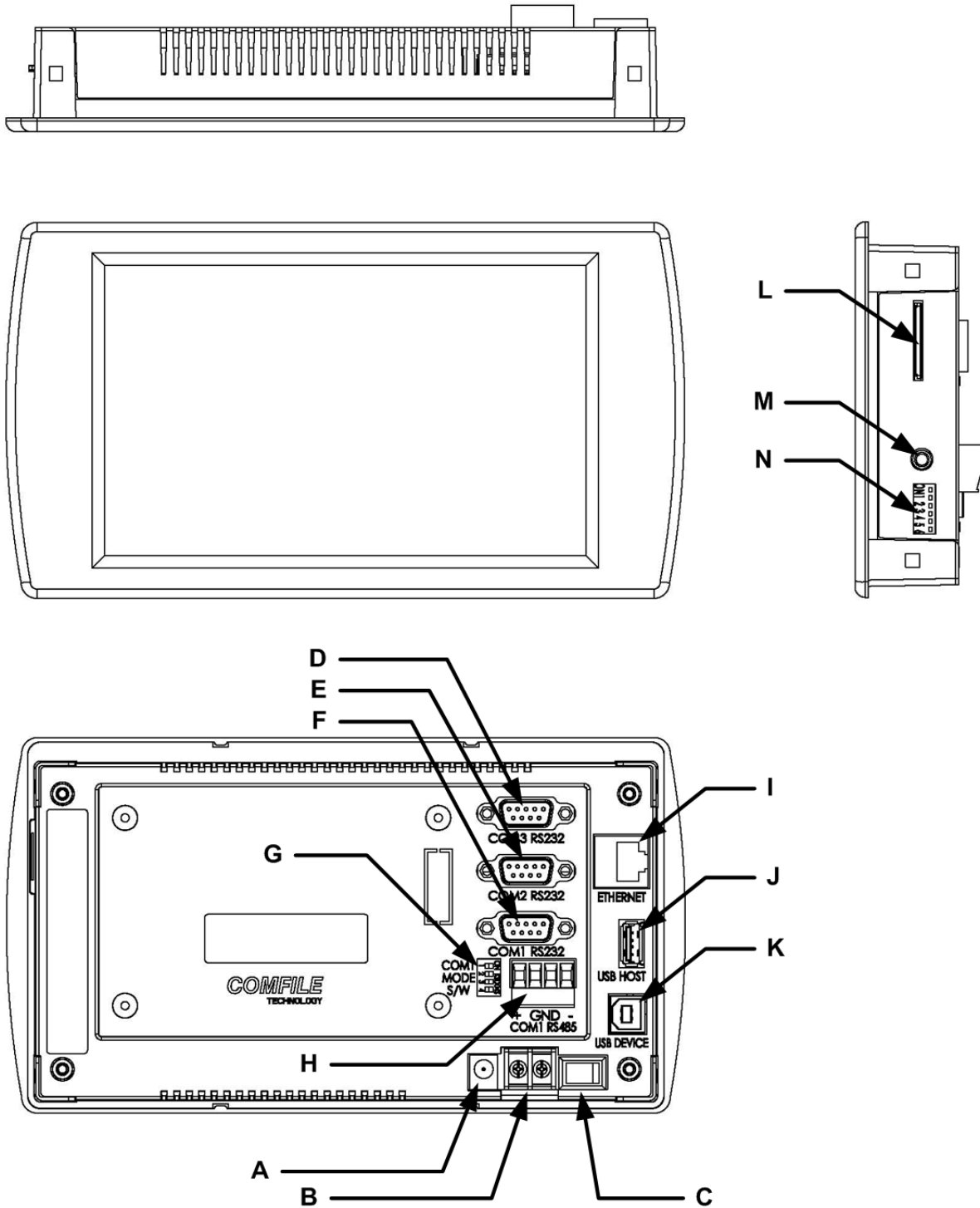
1. Hardware Specification

	Model			
	CPB070A	CPW070A	CPB102A	CPW102A
MCU	32Bit RISC CPU(ARM920T Core) – 266MHz			
Memory	SDRAM : 64MB NAND Flash : 64MB NOR Flash : 1MB (BootLoader)			
LCD	TFT LCD(26 만 Color) 7 Inch (800 x 480) 300cd/m ²		TFT LCD(26 만 Color) 10.2 Inch (800 x 480) 350cd/m ²	
Backlight	LED Backlight			
Ethernet	10Base-T (1Port) ⁽²⁾			
Touch Screen	4-Wire Resistive Touch Screen			
RTC	MCU Built-in RTC ⁽¹⁾ (Battery Replaceable)			
Audio	<0.8W Built-in mic and stereo speaker output (φ3.5 Audio Jack)			
USB	Host 1Port (USB Storage/USB Keyboard/USB Mouse) Device 1Port			
Serial	COM1 (RS232C / RS485) COM2 (RS232C) COM3 (RS232C)			
SDCARD	External SD CARD Support (Up to 4GB)			
Input Power	DC12V~DC24V			
Power Consumption	<6W (0.5A@12V)		<10W (0.8A@12V)	
MAX. Current	500mA		800mA	
Dimension (mm) [H x V x D]	216 x 120 x 41	222 x 152 x 56	284 x 163 x 56	289 x 200 x 56
Weight	450g	650g	1040g	1500g
Operating Temperature	0℃~70℃			

(1) Accuracy and Precision of RTC may fluctuate based on operating environment.

(2) CUPANEL software currently cannot take advantage of the Ethernet hardware.

2. External Features

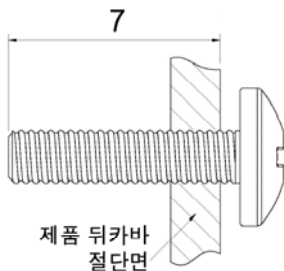
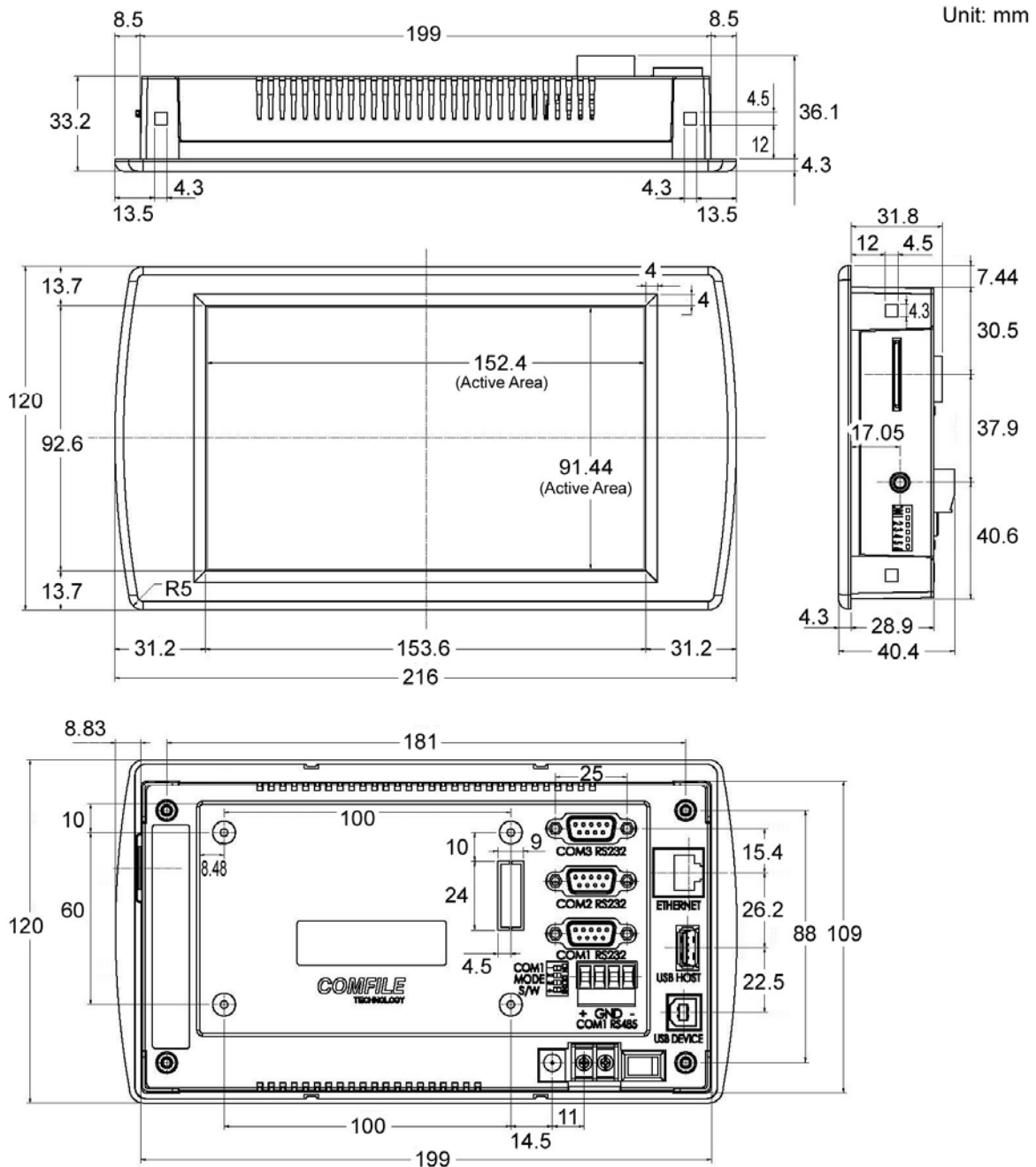


	Name	Description
A	Power DC-Jack	φ2.5 DC Jack - Primary Power Adapter Input
B	Power Terminal	Alternate power supply terminals
C	Power Switch	Power On/Off
D	COM3	COM3 Port (RS232C / Female Type D-SUB 9PIN)
E	COM2	COM2 Port (RS232C / Female Type D-SUB 9PIN)
F	COM1_RS232C	COM1_RS232C Port (RS232C / Female D-SUB 9PIN)
G	COM1 Mode Switch	Sets Operating Mode for COM1
H	COM1_RS485	COM1_RS485 Port (RS485)
I	Ethernet	10Base-T Ethernet ㄨㄷ (RJ-45) ⁽¹⁾
J	USB_HOST	USB Host Port (USB A Type Connector)
K	USB_DEVICE	USB Device Port (USB B Type Connector)
L	SD Card Slot	Accepts SD Cards
M	Audio Out	Stereo Speaker Output (φ3.5)
N	Operating Mode Switch	Reserved

⁽¹⁾ CUPANEL software currently cannot take advantage of the Ethernet hardware.

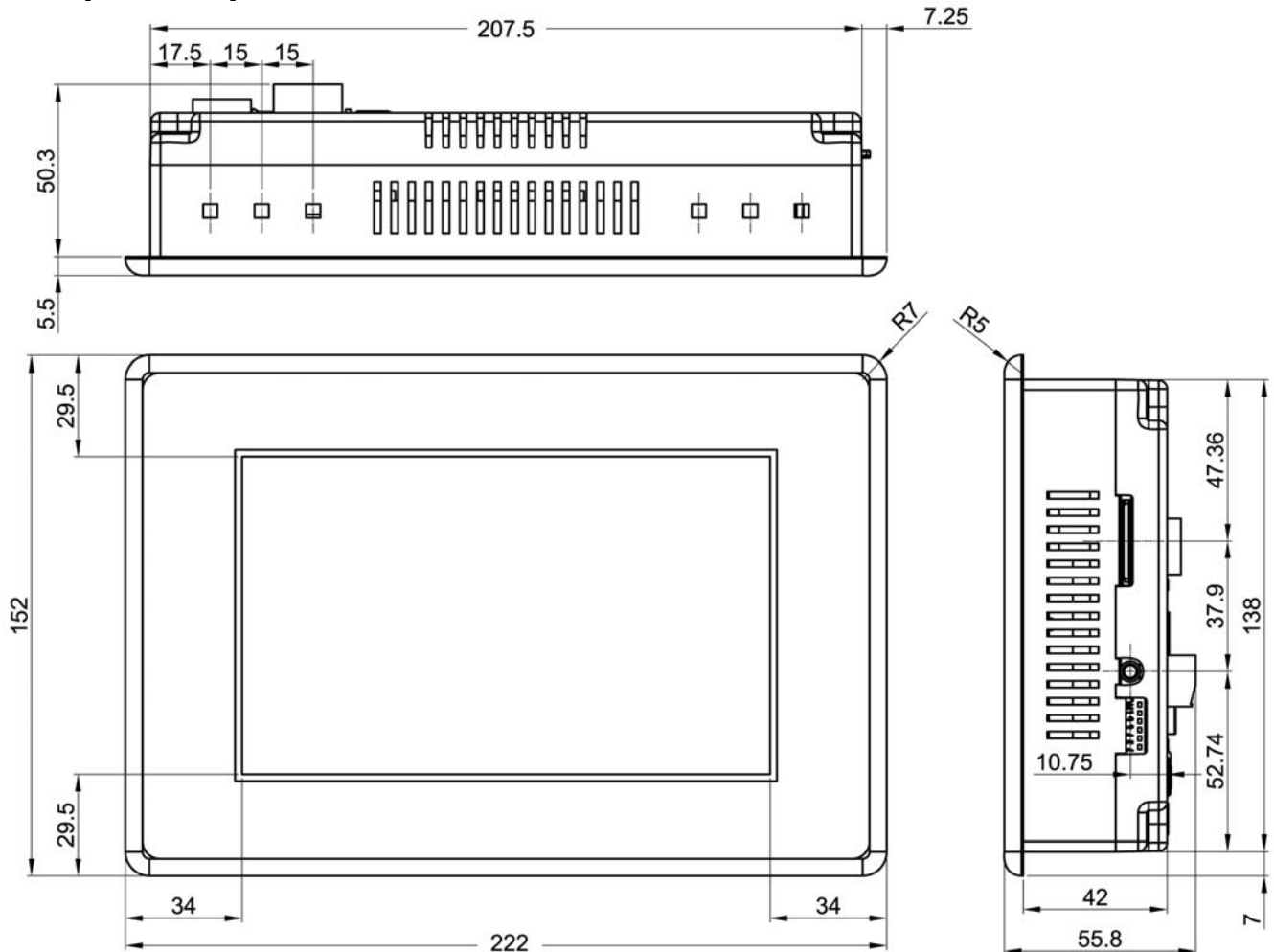
3. Dimensions

[CPB070A]

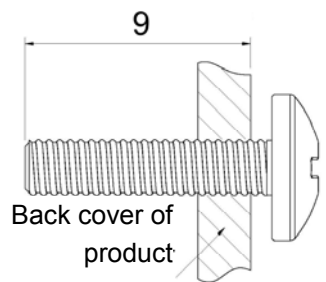
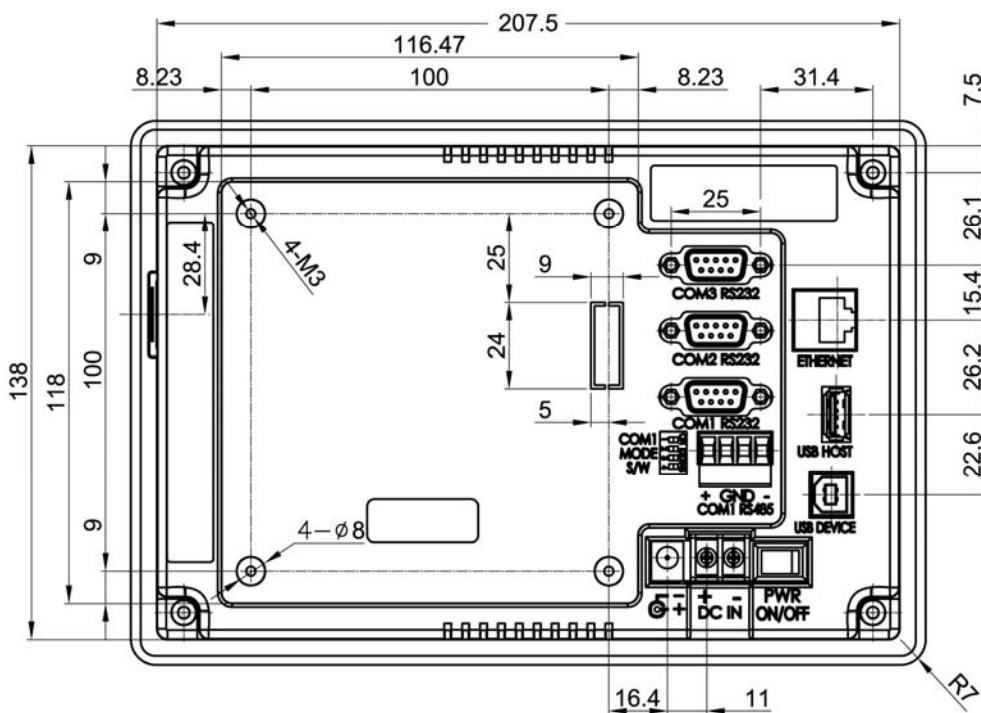


Avoid using long bolts when assembling VESA mounts or add-on board. The inner maximum length is about 7mm.

[CPW070A]



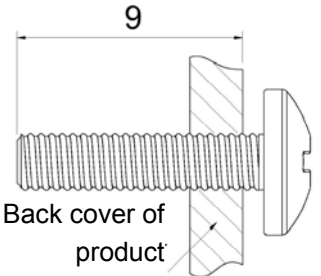
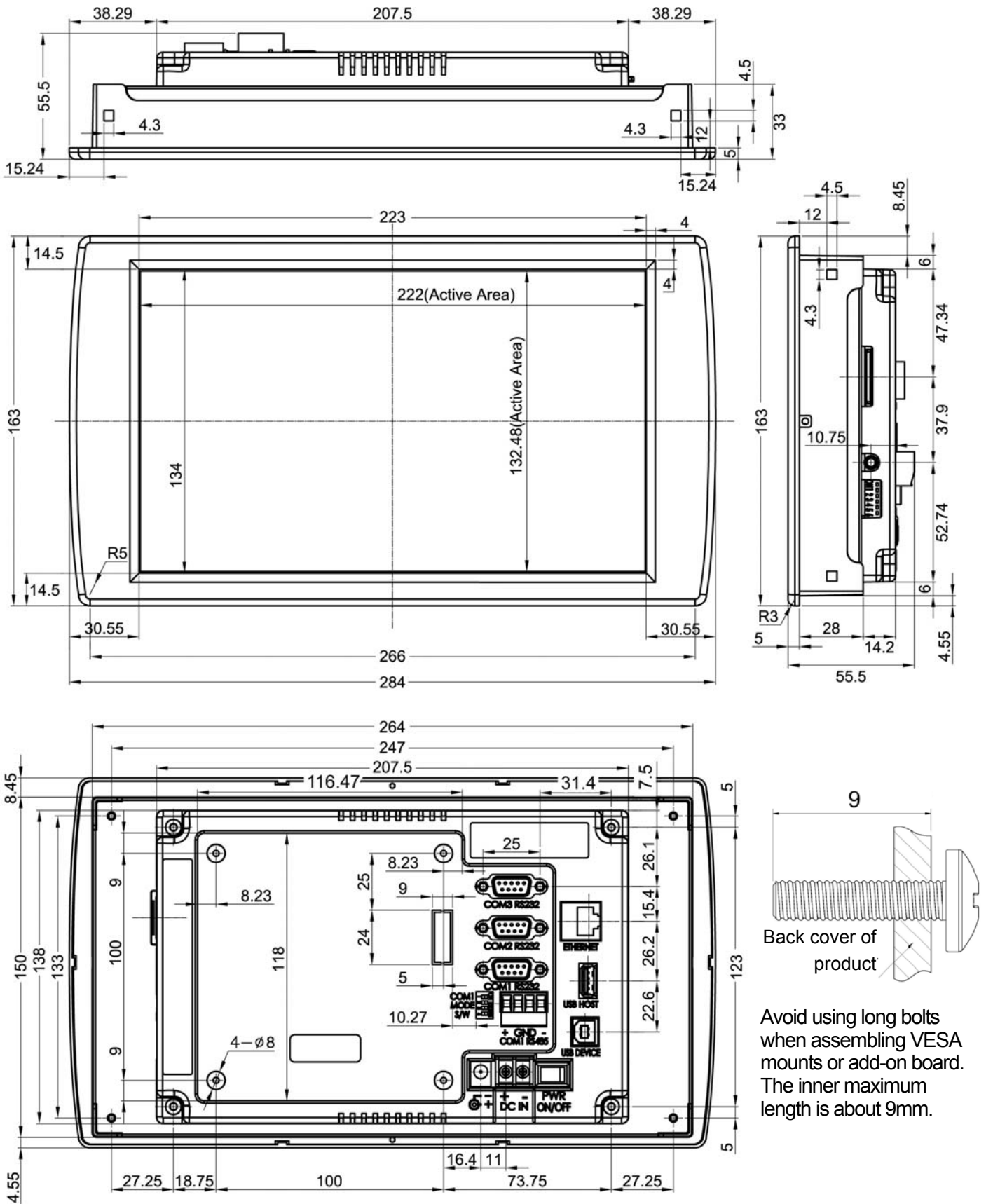
Unit: mm



Back cover of product

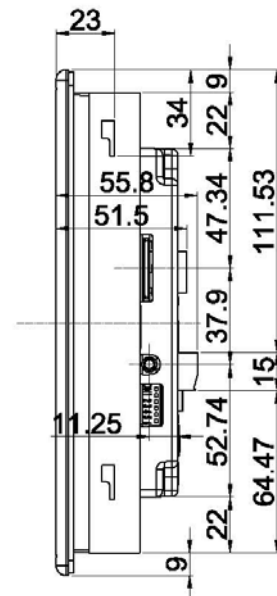
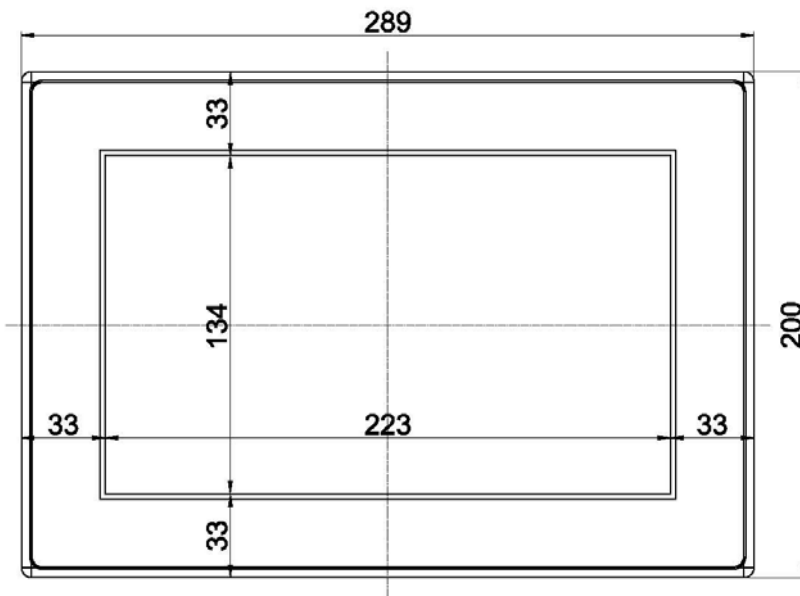
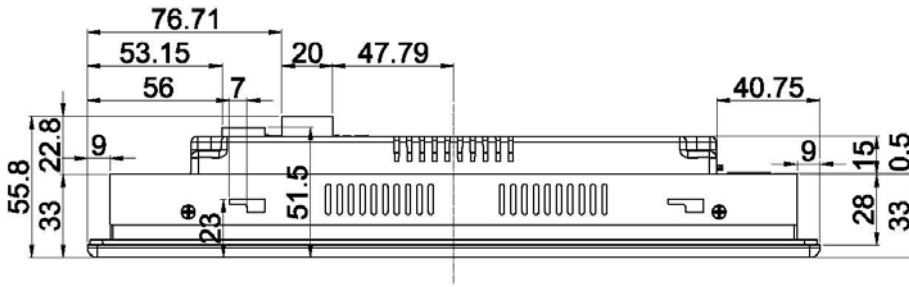
Avoid using long bolts when assembling VESA mounts or add-on board. The inner maximum length is about 9mm.

[CPB102A]

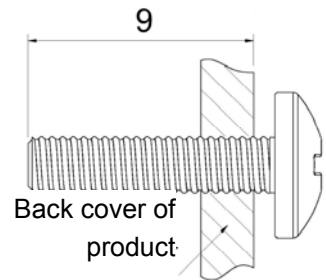
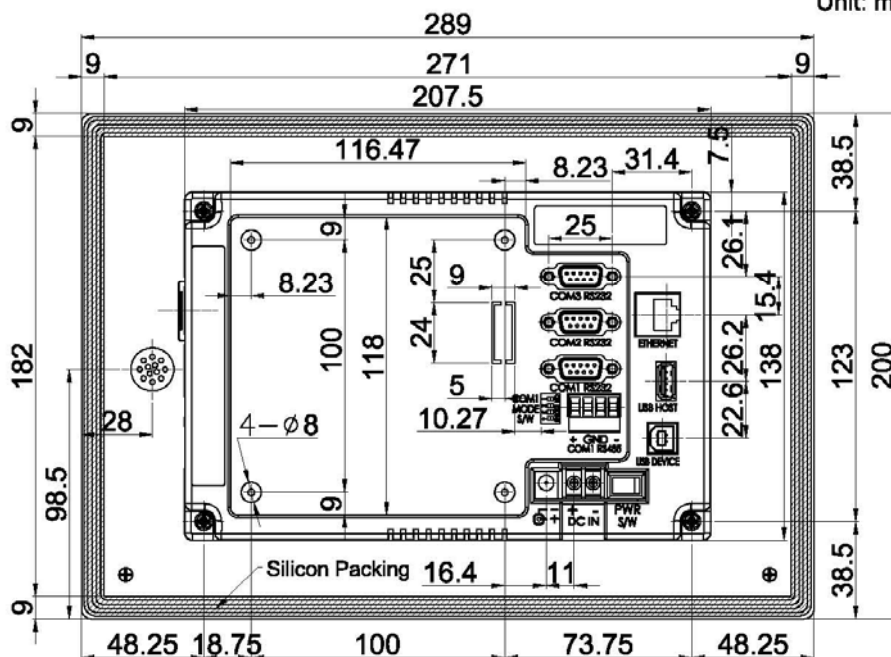


Avoid using long bolts when assembling VESA mounts or add-on board. The inner maximum length is about 9mm.

[CPW102A]



Unit: mm



Avoid using long bolts when assembling VESA mounts or add-on board. The inner maximum length is about 9mm.

4. Panel Installation Instructions

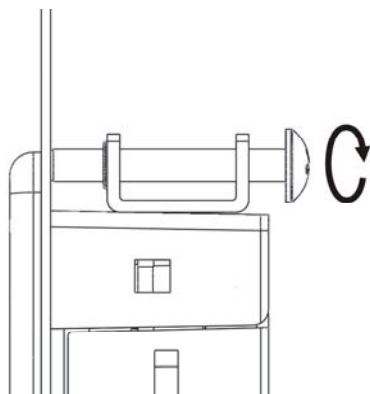
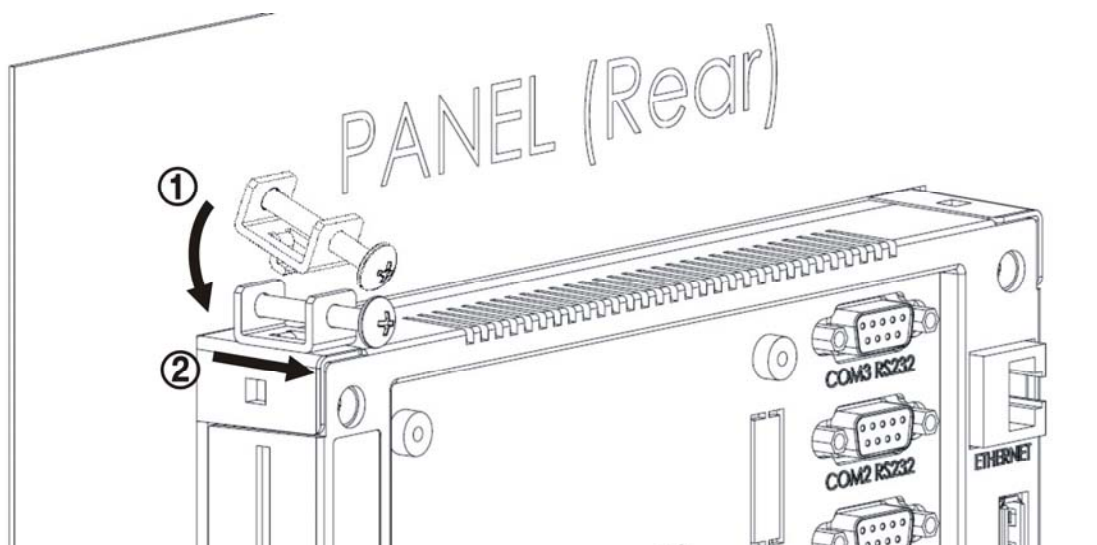
CPB070A, CPW070A, CPB102A

Mounting brackets and bolts are provided.

1. Insert a bolt into each mounting bracket as shown in the diagram below.



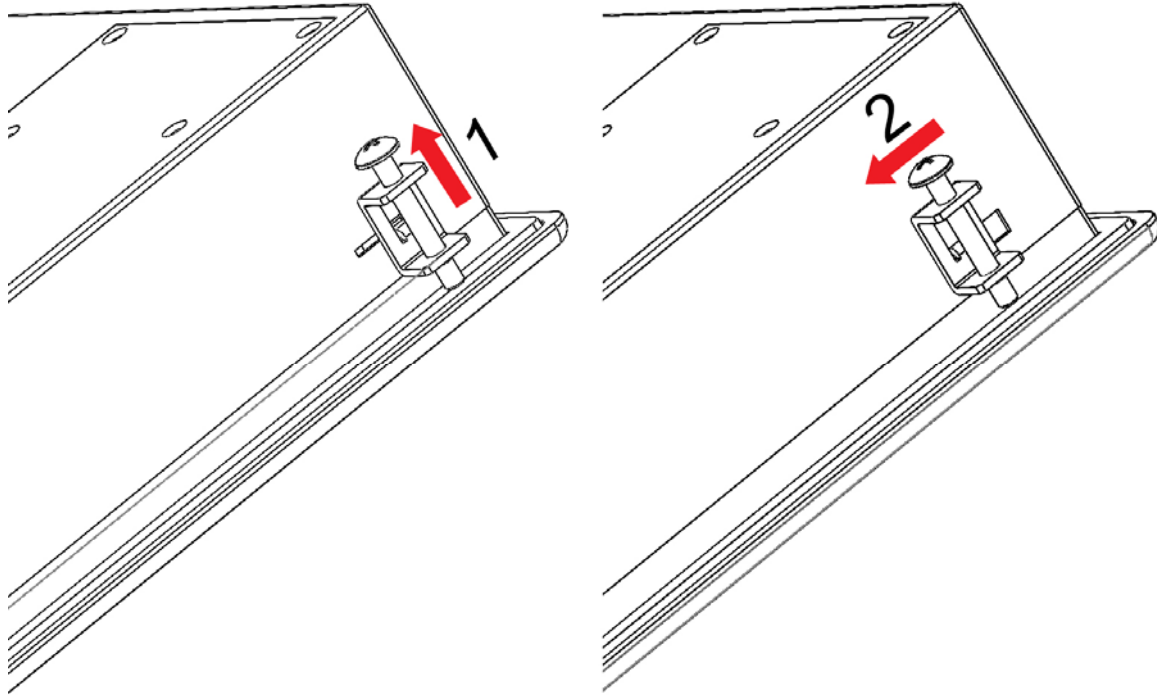
2. Make a hole in the panel according to the CUPANEL's cutout diagram, and insert the CUPANEL into place.
3. Hook a bracket into one of the CUPANEL's bracket mounting holes, and pull gently to hold it firmly in place.
4. Tighten the bolt against the panel to secure the CUPANEL to the panel. (Be careful not to tighten the bolts too tightly, or the CUPANEL could be damaged.)
5. Repeat steps 3 and 4 for each mounting bracket.



CPW102A

When you purchase the CUPANEL, 8 front panel brackets are provided (2 for each side)

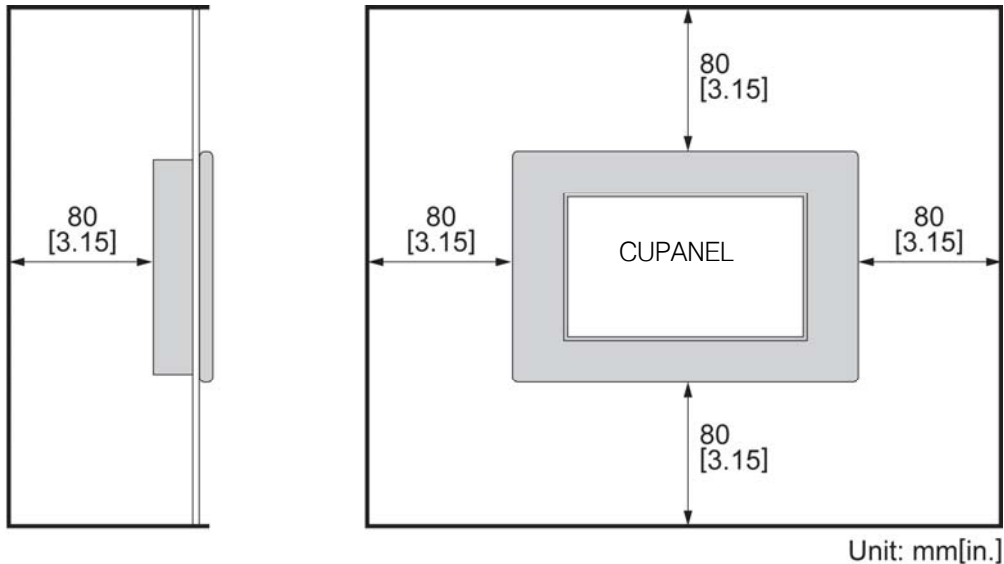
- 1) Attach the brackets to the CUPANEL as shown below.



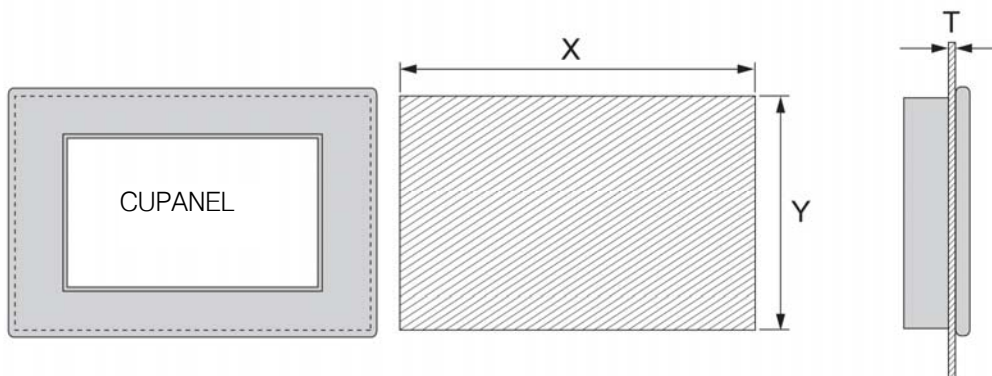
- 2) Fasten the CUPANEL to the panel by tightening the bolts.

5. PANEL CUTOUT

Installation Requirements



Installation

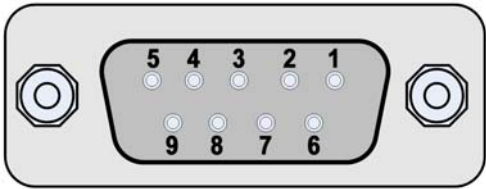


X: Panel Cutout Width, **Y:** Panel Cutout Height, **T:** Panel Thickness
Unit: mm[in.]

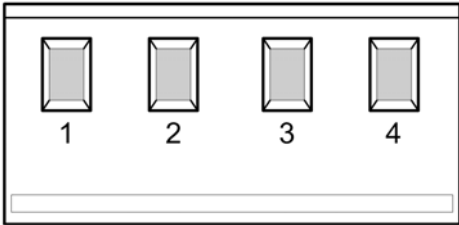
CUPANEL	X	Y	T
CPB070A	200 [7.88]	110 [4.34]	1.6 to 6.0 [0.06 to 0.24]
CPW070A	208 [8.19]	139 [5.48]	1.6 to 4.5 [0.06 to 0.18]
CPB102A	265 [10.44]	151 [5.95]	1.6 to 5.0 [0.06 to 0.20]
CPW102A	272 [10.70]	183 [7.20]	1.6 to 6.0 [0.06 to 0.24]

6. Input/Output Connectors

RS232C Input/Output Connector (COM1_RS232C, COM2, COM3)

Connection Diagram		Pin No.	Pin Name	Pin No.	Pin Name
 <p>*D-SUB 9Pin Female</p>		1	-	6	-
		2	TXD	7	-
		3	RXD	8	-
		4	-	9	-
		5	GND	-	-

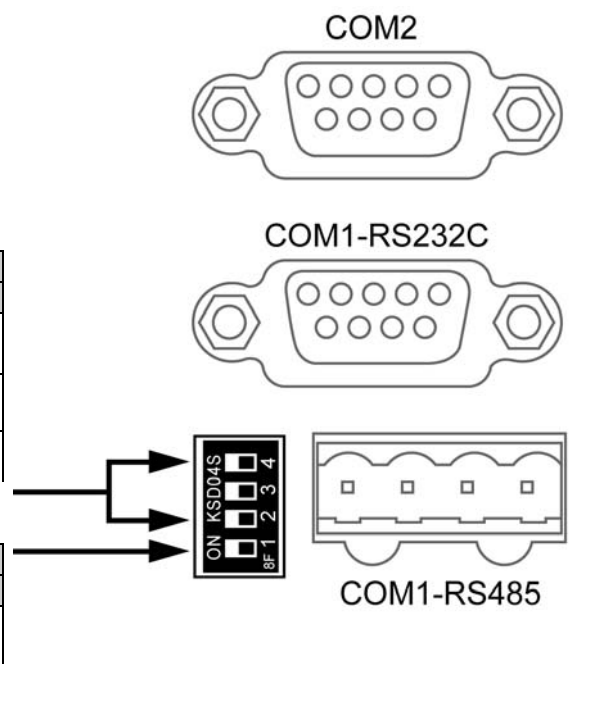
RS485 Input/Output Connector (COM1_RS485)

Connection Diagram		Pin No.	Pin Name
		1	D+
		2	GND
		3	GND
		4	D-

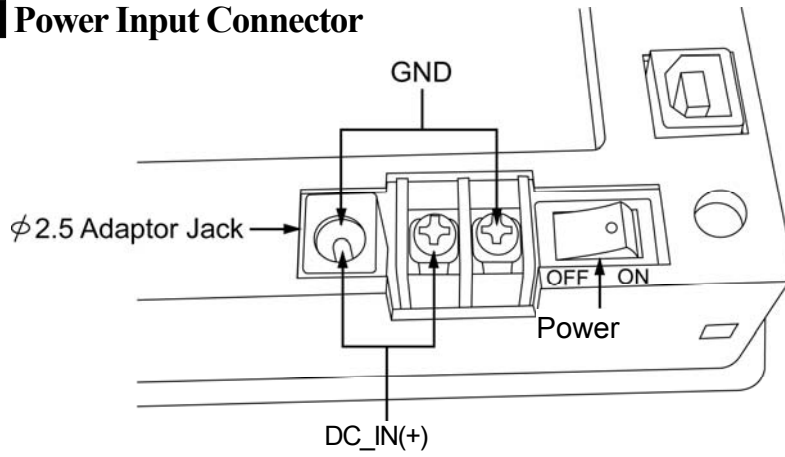
COM1 Mode Switch

RS485 Mode Sel.		
S/W No.	ON	OFF
4	Term Res.	N.C.
3	-Bias	N.C.
2	+Bias	N.C.

COM1 Mode Sel.		
S/W No.	ON	OFF
1	RS232C	RS485



Power Input Connector



7. EMI/EMC Certifications

▶ CPB070A: CE/FCC/KCC Class A



▶ CPW070A: CE/FCC/KCC Class A



▶ CPB102A: CE/FCC/KCC Class A



8. Warranty Policy

Warranty Period

The products are warranted to be free of defects in materials and workmanship for 1 year from the date of purchase.

Warranty Exclusions

The warranty does not cover abrasion and is considered void if the product is opened by an unauthorized person, damaged by abnormal use, heat or humidity, or not used as described in the user's manual.

Request of Warranty Repair

If the products have defect(s) during the warranty period, the customer should inquire at the manufacturer or dispatch the products with the description to the address the manufacturer provides. If the request is appropriate, the manufacturers repairs and dispatch it to the customer.

Limitation of Liability

The manufacturer and distributor are not responsible for damages or breakdowns caused by direct or indirect reasons, and the maximum duty of manufacturer and distributor are limited to the total amount paid by the customer. The limitations or exclusions of warranty have priority over any other warranty expressed explicitly, implicatively, in writing, or orally.

Contact Information

Should you need any additional information or assistance about CUPANEL, please feel free to contact us.

Comfile Technology Inc.

1175 Chess Dr., Suite F, FOSTER CITY, CA 94404, U.S.A

Telephone

Toll-Free : (888) 9CUBLOC, (888) 928 2562

Office : (650) 638 1350

Fax : (650) 638 1360

Office Hours: Monday-Friday 8am-5pm PST

E-mail

Sales: sales@comfiletech.com

Technical Support: support@comfiletech.com