

*Sunbeam*

# FoodSaver®

Home Vacuum Packaging System

Instruction Booklet

VAC780 - VS7800

Please read these instructions carefully  
and retain for future reference.





# Contents

<b>Important Safeguards</b>	<b>4</b>
<b>Important Tips</b>	<b>5</b>
<b>Features of your FoodSaver® VAC780</b>	<b>6</b>
<b>Using your FoodSaver® VAC780</b>	<b>10</b>
<b>How to Vacuum Package using FoodSaver® Canisters and Bottle Stoppers</b>	<b>13</b>
<b>Storage and Cleaning Instructions</b>	<b>14</b>
<b>Vacuum Packaging Non-Food Items</b>	<b>15</b>
<b>Food Preparation and Storage Guide</b>	<b>16</b>
<b>Guidelines for Vacuum Packaging</b>	<b>17</b>
<b>Preservation Guidelines</b>	<b>19</b>
<b>Troubleshooting</b>	<b>21</b>

## Important instructions – retain for future use.

تأكد من تفهم احتياطات السلامة المذكورة اعلاه

請務必理解上述的安全預防措施。

Assurez-vous que les précautions ci-dessus relatives à la sécurité sont bien comprises

Versichern Sie sich, dass die obenstehenden Sicherheitsmaßnahmen verstanden werden

Βεβαιώνετε πως οι παραπάνω προφυλάξεις ασφαλείας γίνονται κατανοητές

Pastikan bahwa tindakan-tindakan keselamatan seperti di atas dimengerti anda

Accertatevi che le suddette norme di sicurezza siano comprese a dovere

上記の注意事項をよくお読みになり、安全を御確認ください

Уверете се дека погоре споменатите мерки на претпазливост се добро разбрани

Asegúrese de que las precauciones de seguridad precedentes sean bien comprendidas

کاری بکنید کہ احتیاطهای بالا حتماً درک بشوند

ต้องแน่ใจว่า ข้อควรระวังเรื่องความปลอดภัยข้างต้น เป็นที่เข้าใจกันดี

Yukarda belirtilen güvenlik önlemlerinin anlaşılığundan emin olunuz

Xin kiểm chắc rằng những biện pháp làm an toàn kể trên được hiểu rõ

# Important Safeguards

Read the Instructions Carefully.

For your own safety, always follow these basic precautions when using the FoodSaver® appliance:

---

**Sunbeam is very safety conscious when designing and manufacturing consumer products, but it is essential that the product user also exercise care when using an electrical appliance. Listed below are precautions which are essential for the safe use of an electrical appliance:**

- Read carefully and save all the instructions provided with an appliance.
- Always turn the power off at the power outlet before you insert or remove a plug. Remove by grasping the plug - do not pull on the cord.
- Turn the power off and remove the plug when the appliance is not in use and before cleaning.
- Do not use your appliance with an extension cord unless this cord has been checked and tested by a qualified technician or service person.
- Always use your appliance from a power outlet of the voltage (A.C. only) marked on the appliance.
- This appliance is not intended for use by persons (including children) with reduced physical, sensory or mental capabilities, or lack of experience and knowledge, unless they have been given supervision or instruction concerning use of the appliance by a person responsible for their safety.
- Children should be supervised to ensure that they do not play with the appliance.
- The temperature of accessible surfaces may be high when the appliance is operating.
- Never leave an appliance unattended while in use.
- Do not use an appliance for any purpose other than its intended use.
- Do not place an appliance on or near a hot gas flame, electric element or on a heated oven.
- Do not place on top of any other appliance.
- Do not let the power cord of an appliance hang over the edge of a table or bench top or touch any hot surface.
- Do not operate any electrical appliance with a damaged cord or after the appliance has been damaged in any manner. If damage is suspected, return the appliance to the nearest Sunbeam Appointed Service Centre for examination, repair or adjustment.
- For additional protection, Sunbeam recommend the use of a residual current device (RCD) with a tripping current not exceeding 30mA in the electrical circuit supplying power to your appliances.
- Do not immerse the appliance in water or any other liquid unless recommended.
- Appliances are not intended to be operated by means of an external timer or separate remote control system.
- This appliance is intended to be used in household and similar applications such as: staff kitchen areas in shops, offices and other working environments; farm houses; by clients in hotels, motels and other residential type environments; bed and breakfast type environments.

If you have any concerns regarding the performance and use of your appliance, please visit [www.sunbeam.com.au](http://www.sunbeam.com.au) or contact the Sunbeam Consumer Service Line.

Ensure the above safety precautions are understood.

# Important Tips

## When Vacuum Packaging:

1. Vacuum packaging is NOT a substitute for refrigeration.
2. Use ONLY bags, rolls and canisters manufactured by Sunbeam Products Inc.
3. Do not allow the Vacuum Channel to fill up with liquids. This will render the machine unusable. **To prevent it, avoid overfilling the bags and freeze liquids first.**
4. You can prevent liquids from being drawn into the appliance by placing a folded paper towel at the top of the bag, but below the seal area, before vacuum packaging.
5. Do not attempt to create your own side seals for a FoodSaver® Bag. These bags are manufactured with special side seams which are sealed all the way to the outer edge. Creating your own side seams can actually leave air channels exposed which will cause leakage and prevent a vacuum from being formed.
6. Always make sure you leave at least 2.5cm of extra bag material for each time you plan to reuse the bag. To avoid possible illness, **do not reuse bags after storing meats, fish or greasy foods.**
7. If you are not sure whether you have achieved a complete seal, simply seal the bag again about 1cm above the first seal.
8. Bulky items sometimes make it difficult to achieve a smooth sealing surface. Gently stretch the bag flat along the Sealing Strip before closing the lid.
9. When packaging products with sharp edges (dry spaghetti, silverware, etc.), protect the bag from punctures by wrapping the products in a cushioning material, such as paper towels, styrofoam, tissue, etc. Products can also be vacuum packaged in canisters to avoid any possibility of puncturing a bag.
10. Avoid drawing powdery or fine-grained products such as, flour, sugar and coffee grinds into the appliance. This will inhibit the vacuuming and sealing process and may clog the unit, preventing it from drawing a good vacuum. To prevent this from occurring, avoid overfilling the bags.
11. If using the FoodSaver® appliance to re-seal packets, ensure that these have been previously commercially heat sealed. Do not use the sealing strip to re-seal conventional plastic wrap, sandwich bags and plastic bags as they may melt over the sealing strip.

# VAC780 28cm vacuum packaging system with multi-function control panel and roll storage

## Accessory Port

Attach accessory hose here and use to vacuum package with FoodSaver® Canisters and bottle stoppers.

## Speed Setting

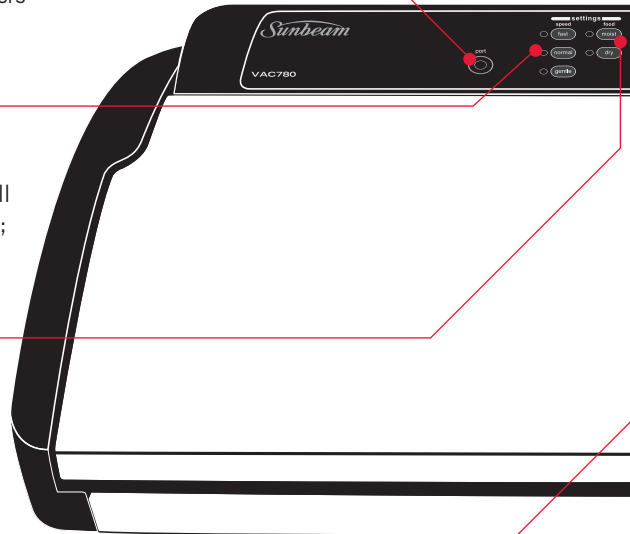
Select speed to optimise the vacuum. 'Gentle' for delicate foods; 'Normal' for all average-sized bags, canisters and bottles; 'Fast' for larger-sized bags & canisters.

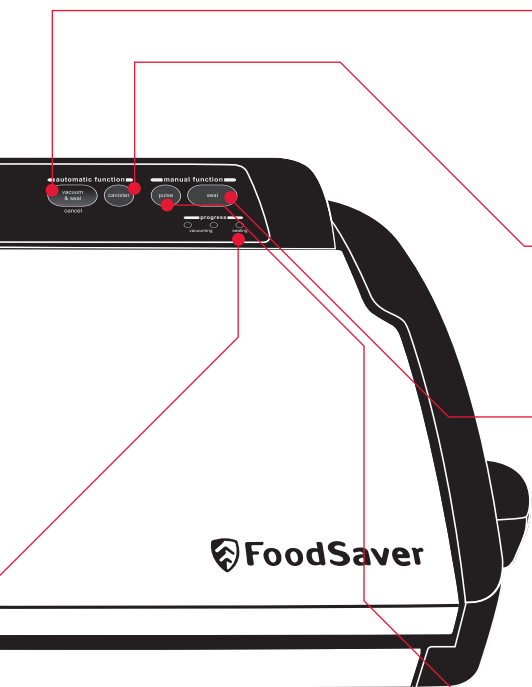
## Adjustable Food Setting

Select food type to optimise the seal. 'Dry' (normal seal time) for food without liquid; 'Moist' (longer seal time) for juicy foods.

## Progress Indicator Lights

Signal progression of the vacuum and sealing process. All three lights shut off when the full process is complete.





### **Vacuum & Seal Button**

This button has two uses:

1. Press to vacuum package and seal with a single touch. Shuts off automatically.
2. Press to cancel process at any time.

### **Canister Vacuum Button**

Press to achieve best vacuum results for canisters and bottle stoppers.

### **Seal Button**

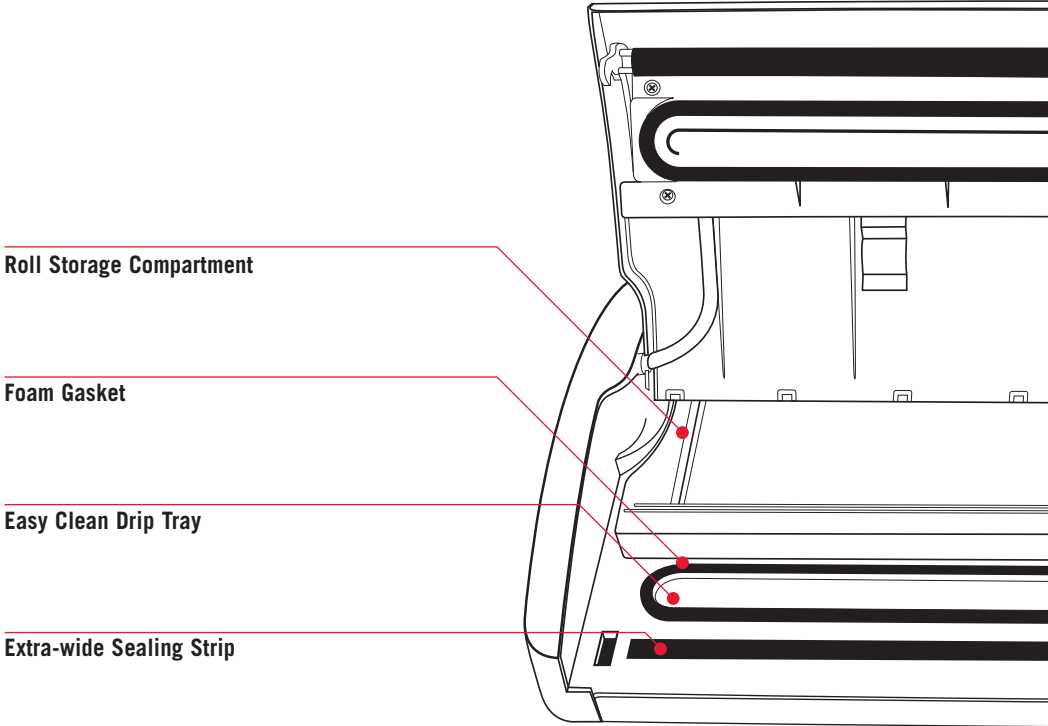
This button has four uses:

1. Press to immediately stop the vacuum process and begin sealing the bag.
2. Press to create a seal when making bags from a FoodSaver® Roll.
3. Press to create a seal on foil-based chip and cereal packets.
4. Press during Pulse mode to seal bag.

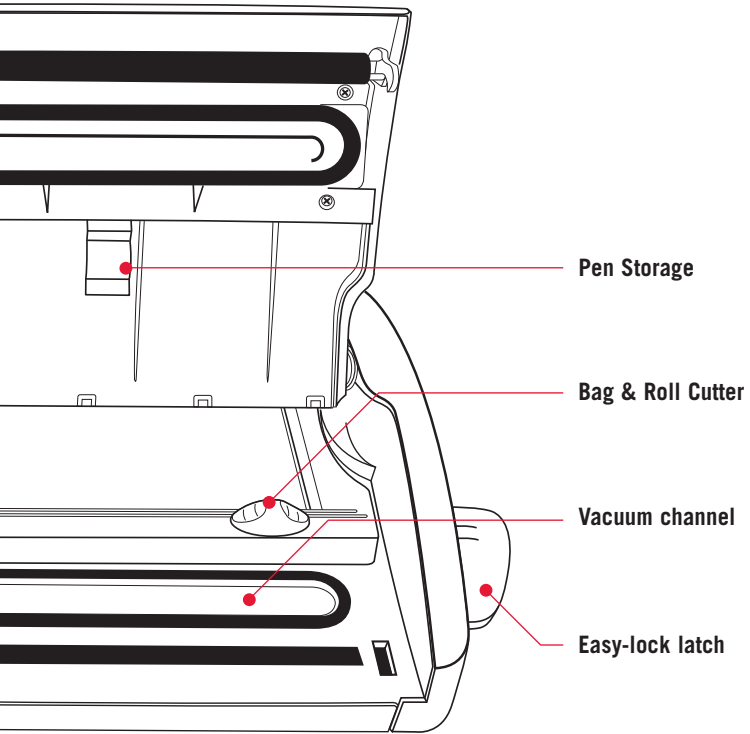
### **Pulse Button**

Press to remove air-as much or as little as required - then press seal to complete.

# VAC780 28cm vacuum packaging system with multi-function control panel and roll storage







**Pen Storage**

**Bag & Roll Cutter**

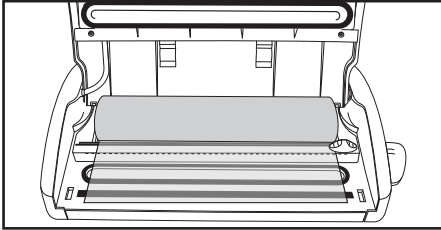
**Vacuum channel**

**Easy-lock latch**

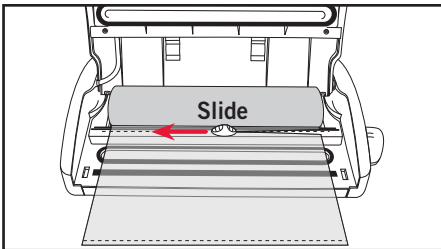
# Using your FoodSaver® VAC780

## How to make a Bag from a FoodSaver® Roll

1. Place appliance on a flat, dry surface and plug the supply cord into a standard electrical outlet.
2. Unlock side latch, open lid and position open bag over the sealing strip.

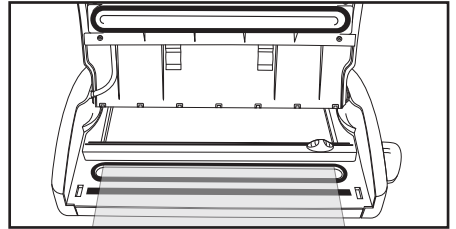


3. Close lid and lock side latch into 'operate' position. (Do not place edge of bag into vacuum channel when sealing bags).
4. Press 'Seal' button to begin automatic sealing process.
5. When seal indicator light turns off, unlock latch, lift lid and pull out desired bag length for vacuum packaging.
6. Using the inbuilt bag cutter, slide across to cut a straight edge. It is now ready for vacuum packaging.

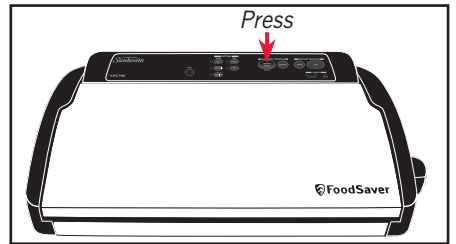


## How to Vacuum Package with FoodSaver® Bags

1. Place appliance on a flat, dry surface and plug the supply cord into a standard electrical outlet.
2. Place item(s) in bag, allowing at least 7.5cm of space between bag contents and top of bag.
3. Open FoodSaver® lid and place open end of bag into the Vacuum Channel.



4. Close and lock lid by locking side lock into the 'operate' position.
5. Select appropriate 'Food Setting' button. Choose 'Moist' for juicy foods or 'Dry' for foods without liquid. Appliance will default to the 'Dry' setting.
6. Select appropriate Speed setting button. Choose 'Normal' for average-sized bags and canisters; 'Fast' for larger sized bags and canisters or 'Gentle' for delicate foods. Appliance will default to 'Normal'.



7. Press 'Vacuum & Seal' Button to begin automatic vacuum and seal process.

**Wait 20 seconds before vacuuming and / or sealing again.**

## Using your FoodSaver® VAC780 continued

### Tips on using the Pulse feature

Use the pulse feature to manually control the vacuum process and avoid crushing delicate items.

1. Place items in bag allowing 7.5cm of space between bag contents and top of bag.
  2. Open appliance lid and place open end of bag into the vacuum channel. Close lid and lock into 'operate' position.
  3. Select and press appropriate food setting  
- Moist or Dry.
  4. Select and press appropriate speed setting  
- Fast, Normal or Gentle.
  5. Push and hold the Pulse Button. The vacuum pump will run when the Pulse Button is held down. Release 'Pulse' button to stop the vacuum process. Repeat pushing the 'Pulse' button until desired amount of air has been removed.
- Note:** If the vacuum pump stops engaging after several pushes of the Pulse Button, it means the maximum vacuum has been reached. **DO NOT** continue to push the Pulse Button.
6. Press the Seal Button to seal the bag and end the pulse mode.
  7. When the progress Lights turn off, unlock the latch, lift lid and remove bag.

### Tips on Sealing a Bag

#### **Make sure you've locked the appliance lid.**

When making a bag from a roll, place bag material on Sealing Strip, close lid and ensure latch is locked in the 'operate' position.

#### **Prevent moisture or liquid from being pulled into the Vacuum Channel or trapped in the seal.**

Either pre-freeze moist food such as raw meat for 1-2 hours before vacuum packaging, or place a folded paper towel between food and end of bag to absorb excess liquids. Just be sure to leave at least 7.5cm between food and end of bag so that bag seals properly with paper towel inside.

#### **Make sure you give appliance time to cool**

**down.** Wait at least 20 seconds between seals. Under very heavy usage, appliance will not operate to prevent overheating. If it does, unplug appliance, wait 20 minutes to allow appliance to cool off.

## Using your FoodSaver® VAC780 continued

### **Tips on Removing Air from a Bag**

#### **Make sure you've locked the appliance**

**lid.** When vacuuming and sealing a bag or canister, ensure latch is locked in the 'operate' position.

#### **Check for wrinkles in the bag along the Sealing**

**Strip.** Wrinkles in seal may cause leakage and allow air to come back into bag. Check for wrinkles in bag along Sealing Strip before closing lid and vacuum packaging. If you find wrinkles after sealing bag, simply cut bag open and vacuum package again.

#### **If motor runs for more than 30 seconds without**

**stopping,** consider the following: You may need to adjust bag and try again. If you are making the initial seal on a piece of bag material with two open ends, make sure bag is placed on Sealing Strip. If you are vacuum packaging with a bag, make sure open end is placed over the Vacuum Channel and make sure Accessory Hose is not attached.

# How to Vacuum Package using FoodSaver® Canisters and Bottle Stoppers

1. Place the appliance on a flat, dry surface and plug the supply cord into a standard electrical outlet.
2. **Canisters:** place the item(s) to be vacuum packaged inside the canister. Place the lid on top of the canister\*. See figure 1.
3. Insert one end of the Accessory Hose into the Accessory Port on the appliance. Insert the other end of the hose into the lid of canister or bottle stopper.
4. Lock the latch on the side to the 'operate' position before vacuuming.
5. Press 'Canister' Button to begin vacuum process for either canisters or bottles, motor will run until vacuum process is complete.
6. When light indicator turns off, gently twist and remove Accessory Hose from appliance and canister or bottle stopper.

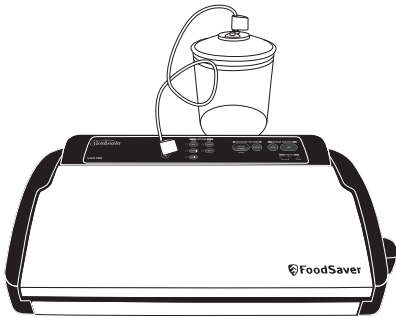


Figure 1

**Bottle Stoppers:** insert the Bottle Stopper into the neck of the bottle.

Leave at least 2.5cm between the contents and the rim. See figure 2.

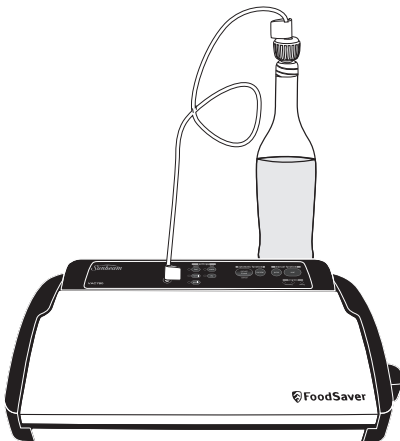


Figure 2

## How to Open the FoodSaver® Canister

To open, press and hold down the grey rubber button in the center of the lid. This will release the vacuum – a hissing sound can be heard as the air rushes in.

\* FoodSaver® Canisters sold separately.

## How to Remove the FoodSaver® Bottle Stopper

To remove, simply twist and pull up on the Bottle Stopper to release the vacuum.

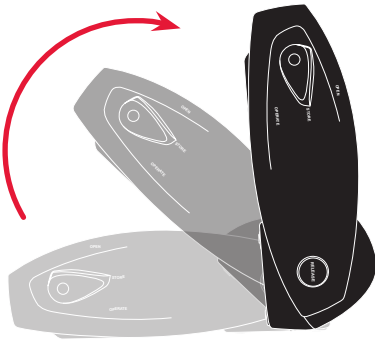
**IMPORTANT: Remember to remove the Accessory Hose from the Accessory Port on the appliance before you vacuum package in FoodSaver® Bags. DO NOT STORE CANISTER IN THE FREEZER.**

# Storage and Cleaning Instructions

## FoodSaver® Storage

To utilise the unique vertical storage:

1. Close the lid.
2. Turn the latch halfway to secure for storage (the halfway position locks the appliance lid for storage without compressing the foam gasket and creating unnecessary wear and tear).
3. Push and hold 'Push' Button on the right side of appliance.
4. Lift the front of the appliance until its in the upright position and it clicks.
5. Let go of 'Push' Button
6. When ready to use again, press 'Push' button and lower front of appliance.



## The FoodSaver® Appliance

1. Always unplug the appliance before cleaning.
2. Clean using a mild dishwashing soap and a warm, damp cloth. Do not immerse the appliance in water. Dry thoroughly before using.
3. Do not use abrasive products or materials to clean any of the appliance components.

## Drip Tray

Wipe out with clean cloth to clean tray.

## FoodSaver® Bags

**IMPORTANT: Do not reuse bags after storing meats, fish or greasy foods.**

1. Wash bags in warm water using a mild dishwashing soap.
2. Bags can be washed in the dishwasher by carefully turning the bags inside out and spreading them over the top rack of the dishwasher so that all surfaces are exposed to the washing water.
3. Allow bags to dry thoroughly before reusing. To avoid possible illness, do not reuse bags after storing raw meats, fish or greasy foods. **Do not reuse bags that have been microwaved or simmered.**

## FoodSaver® Accessories

1. All FoodSaver® accessories should be washed in warm water using a mild dishwashing soap. Dry thoroughly before using.
2. All FoodSaver® Canister bases (but not the lids) may be washed in the dishwasher. FoodSaver® Canister lids (white) are NOT dishwasher safe.\*
3. The FoodSaver® Canister base (clear) can be cleaned in the dishwasher but only in the top shelf. Items washed in bottom shelves can distort due to the heat from the dishwasher element.\*

**IMPORTANT:** All plastic components deteriorate through the prolonged use of a dishwasher for cleaning. Hand washing of plastic components in warm soapy water is always recommended.

\* FoodSaver® Canisters sold separately.

# Vacuum Packaging Non-Food Items

Your FoodSaver® appliance also protects non-food items from oxidation, corrosion and moisture.

Just follow the directions for vacuum packaging using the FoodSaver® Bags, Canisters and Accessories.

- Camping and hiking gear stays dry and compact. Vacuum packaging your clothes and equipment will help save space in your bag. Vacuum package matches, maps and anything you want to stay dry.
- For picnics, fill a FoodSaver® Bag with ice and seal. When it melts, you'll have fresh water for drinking or you can put it back in the freezer as a reusable ice pack.
- For painting, vacuum package your wet paint brush between coats rather than washing out. Particularly useful for oil based paints that require mineral turpentine to clean up.
- Vacuum package your food and equipment for a boating or sailing outing. Food will stay dry in the cooler/esky. Batteries and film won't get damaged by water, and you'll appreciate having a dry change of clothes.
- Vacuum package first aid kits and emergency kits for your house, your boat and your car. Items will all be in one package and will stay dry and without dirt and mold. Include flares, batteries, flashlight, candles and matches.
- To vacuum package silver, wrap fork prongs in soft cushioning material, such as a paper towel, to avoid puncturing bag.

# Food Preparation and Storage Guide

## Guidelines for Vacuum Packaging Food

Vacuum packaging is not a substitute for canning nor can it reverse deteriorating quality; it can only slow down changes in quality. It is impossible to predict how long a specific food will have top-quality flavour, appearance and texture, because it depends on the age and condition of the food on the day it was vacuum packaged. Foods that are extremely fresh will last longer than foods that are already deteriorating.

Vacuum packaging extends the life of foods by removing nearly all the air in a sealed container, thereby reducing oxidation which affects nutritional value, flavour and overall quality. However, most foods contain enough water to support micro-organisms which can grow with or without air. While micro-organisms are present everywhere, only certain ones cause problems, and only under certain conditions:

- **Mould:** Easy to identify because of its characteristic fuzz. Moulds are virtually eliminated by vacuum packaging because they cannot grow in a low oxygen environment.
- **Yeast:** Results in fermentation, which can frequently be identified by smell or taste. Yeast requires water, sugar and a moderate temperature to grow, and can grow with or without air. Refrigeration slows the growth of yeast, and freezing stops it completely.

- **Bacteria:** Frequently results in discoloration, soft or slimy texture, and/or an unpleasant odor. 'Clostridium botulinum' (the organism that causes Botulism) can grow without air under the right conditions, cannot be detected by smell or taste, and although extremely rare, can be very dangerous.

## The combination of vacuum packaging and freezing will extend food freshness and reduce the growth of bacteria in perishable foods.

Maintaining low temperatures is a critical factor in preserving foods safely. Growth of micro-organisms is significantly reduced at temperatures of 4°C or below. Freezing at -17°C does not kill micro-organisms, but it stops them from growing. For long term storage, always freeze “perishable” foods that have been vacuum packaged.

## Thawing and Heating Vacuum Packaged Foods

Always thaw foods in either the Refrigerator or microwave – do not leave “perishable” foods at room temperature to thaw.

To microwave in a FoodSaver® Bag, cut a corner of the bag and place on a microwave-safe dish. You can always reheat foods in FoodSaver® Bags by placing them in water at a low simmer below 75°C.

**NOTE: Vacuum packaging is NOT a substitute for refrigeration or freezing. Any “perishable” foods that require refrigeration prior to vacuum packaging still must be refrigerated or frozen after vacuum packaging.**



# Guidelines for Vacuum Packaging

## Preparation Guidelines for Meat and Fish

For best results, pre-freeze meat and fish for 1-2 hours before vacuum packaging in a FoodSaver® Bag. This helps retain the juice and shape and guarantees a better seal.

If it's not possible to pre-freeze, place a folded paper towel between meat or fish and top of bag but below seal area. Leave paper towel in bag to absorb excess moisture and juices during vacuum packaging process.

**Note:** Beef may appear darker after vacuum packaging due to the removal of oxygen. This is not an indication of spoilage.

## Preparation Guidelines for Hard Cheeses

To keep cheese fresh, vacuum package it after each use. Make your FoodSaver® Bag extra long, allowing 2.5cm of bag material for each time you plan to open and reseal in addition to the 7.5cm room you normally leave between contents and seal. Simply cut sealed edge and remove cheese. When you're ready to repack the cheese, just drop it in bag and reseal.

## Preparation Guidelines for Vegetables

Vegetables need to be blanched before vacuum packaging. This process stops the enzyme action that could lead to loss of flavour, colour and texture.

To blanch vegetables, place them in boiling water for 1 to 2 minutes. After blanching, immerse vegetables in iced cold water to stop the cooking process. Finally, dry vegetables on a towel before vacuum packaging.

When freezing vegetables, it is best to pre-freeze them for 1-2 hours or until solidly frozen. To freeze vegetables in individual

servings, first place on a baking sheet and spread them out so they are not touching. This prevents them from freezing together in a block. Once they are frozen, remove from baking sheet and vacuum package vegetables in a FoodSaver® Bag. After they have been vacuum packaged, return them to the freezer.

**Note:** Cruciferous vegetables (broccoli, Brussels sprouts, cabbage, cauliflower, kale, turnips) naturally emit gases during storage. Therefore, after blanching, they must be stored in freezer only.

**Important:** Mushrooms and garlic should never be vacuum packaged.

## Preparation Guidelines for Leafy Vegetables

For best results, use a canister to store leafy vegetables. First wash the vegetables and then dry with a towel or salad spinner. After they are dried, put them in a canister and vacuum package. Store in refrigerator.

## Preparation Guidelines for Fruits

When freezing soft fruits or berries, it is best to pre-freeze them for 1-2 hours or until solidly frozen. To freeze fruit in individual servings, first place on a baking sheet and spread them out so they are not touching. This prevents them from freezing together in a block. Once they are frozen, remove from baking sheet and vacuum package fruit in a FoodSaver® Bag. After they have been vacuum packaged, return them to the freezer.

You can vacuum package portions for baking, or in your favourite combinations for easy fruit salad all year round. If storing in the refrigerator, we recommend using a FoodSaver® Canister.

# Guidelines for Vacuum Packaging continued

## Preparation Guidelines for Baked Goods

To vacuum package soft or airy baked goods, we recommend using a FoodSaver® Canister so they will hold their shape. If using a bag, pre-freeze for 1-2 hours or until solidly frozen. To save time, make cookie dough, pie shells, whole pies, or mix dry ingredients in advance and vacuum package for later use.

## Preparation Guidelines for Coffee and Powdery foods

To prevent food particles from being drawn into vacuum pump, place a coffee filter or paper towel at top of bag or canister before vacuum packaging. You can also place the food in its original bag inside a FoodSaver® Bag.

## Preparation Guidelines for Liquids

Before you vacuum package liquids such as soup stock, pre-freeze in a casserole dish, loaf pan or ice cube tray until solid. Remove frozen liquid from pan and vacuum package in a FoodSaver® Bag. You can stack these "frozen bricks" in your freezer. When you're ready to use, just cut corner of bag and place in a dish in microwave or drop into water at a low simmer below 75°C.

To vacuum package non-carbonated bottled liquids, you can use a FoodSaver® Bottle Stopper with the original container. Remember to leave at least 2.5cm of room between contents and bottom of Bottle Stopper. You can re-seal bottles after each use.

## Preparation Guidelines for Snack Foods

Your snack foods will maintain their freshness longer when you vacuum package them. For best results, use a FoodSaver® Canister for crushable items like crackers.

## Preparation Guidelines for Marinating

Vacuum sealing opens the pores in foods such as meats, poultry and seafood absorbing marinades much faster than traditional marinating methods. Marinating can occur in either FoodSaver® Bags or Canisters.

Do not overfill bags with marinating liquid. This ensures that liquid does not enter the vacuum channel.

**Note:** Marinating times will vary depending on the type of marinade being used. Do not marinate for more than 5-10 minutes if the marinade contains acidic ingredients, such as lemon juice and vinegar.

## Re-sealing Chip packets, etc

Whilst we recommend only using FoodSaver® Bags and Rolls to vacuum package items, you can also utilise the sealing strip to re-seal pockets that have already undergone a commercial quality seal.

The heat sealing strip allows half consumed packets of chips, crackers and cereals to be resealed by placing on heating sealing strip.

Ensure that the bag does not reach into the vacuum channel, as it will crush delicate items. Only re-seal packets.

**NOTE:** Do not use the sealing strip to seal conventional plastic wrap, sandwich bags and plastic bags as the bags may melt over the sealing strip.

# Preservation Guidelines

Foods	Where to Store	Recommended FoodSaver® Products	Storage Life with FoodSaver® Products	Normal Storage Life
<b>Meat</b>				
Beef, Pork, Lamb	Freezer	FoodSaver® Bag	2-3 years	6 months
Ground Meat	Freezer	FoodSaver® Bag	1 year	4 months
Poultry	Freezer	FoodSaver® Bag	2-3 years	6 months
Fish	Freezer	FoodSaver® Bag	2 years	6 months
<b>Hard Cheeses</b>				
Cheddar, Swiss	Refrigerator	FoodSaver® Bag, Canister	4-8 months	1-2 weeks
Parmesan	Refrigerator	FoodSaver® Bag, Canister	4-8 months	1-2 weeks
<b>Vegetables</b> (Vegetables, excluding leafy types, must be blanched before vacuum sealing.)				
Asparagus	Freezer	FoodSaver® Bag	2-3 years	8 months
Broccoli, Cauliflower	Freezer	FoodSaver® Bag	2-3 years	8 months
Cabbage, Brussels Sprouts	Freezer	FoodSaver® Bag	2-3 years	8 months
Corn (cob or kernel)	Freezer	FoodSaver® Bag	2-3 years	8 months
Green Beans	Freezer	FoodSaver® Bag	2-3 years	8 months
Lettuce, Spinach	Refrigerator	FoodSaver® Canister	2 weeks	3-6 days
Snow Peas, Snap Peas	Freezer	FoodSaver® Bag	2-3 years	8 months
<b>Fruits</b>				
Apricots, Plums	Freezer	FoodSaver® Bag	1-3 years	6-12 months
Peaches, Nectarines	Freezer	FoodSaver® Bag	1-3 years	6-12 months
<b>Softer Berries</b>				
Raspberries, Blackberries	Refrigerator	FoodSaver® Canister	1 week	1-3 days
Strawberries	Refrigerator	FoodSaver® Canister	1 week	1-3 days
<b>Harder Berries</b>				
Blueberries	Refrigerator	FoodSaver® Canister	2 weeks	3-6 days
Cranberries	Refrigerator	FoodSaver® Canister	2 weeks	3-6 days

## Preservation Guidelines continued

<b>Foods</b>	<b>Where to Store</b>	<b>Recommended FoodSaver® Products</b>	<b>Storage Life with FoodSaver®</b>	<b>Normal Storage Life</b>
<b>Baked Goods</b>				
Bagels, Bread, Pastries	Freezer	FoodSaver® Bag	1-3 years	6-12 months
<b>Nuts</b>				
Almonds, Peanuts	Pantry	FoodSaver® Bag, Canister	2 years	6 months
Sunflower Seeds	Pantry	FoodSaver® Bag, Canister	2 years	6 months
<b>Coffee</b>				
Coffee Beans	Freezer	FoodSaver® Bag	2-3 years	6 months
Coffee Beans	Pantry	FoodSaver® Bag, Canister	1 year	3 months
Ground Coffee	Freezer	FoodSaver® Bag	2 years	6 months
Ground Coffee	Pantry	FoodSaver® Bag, Canister	5-6 months	
<b>Prepared Liquids</b>				
Sauces, Soups, Stews	Freezer	FoodSaver® Bag	1-2 years	3-6 months
<b>Bottled Liquids</b>				
Wine	Refrigerator	FoodSaver® Bottle Stopper	2-4 months	1-3 weeks
Oils	Pantry	FoodSaver® Bottle Stopper	1-1½ years	5-6 months
<b>Dry Foods</b>				
Beans, Grains	Pantry	FoodSaver® Bag, Canister	1-2 years	6 months
Pasta, Rice	Pantry	FoodSaver® Bag, Canister	1-2 years	6 months
<b>Powdery Foods</b>				
Dry Milk	Pantry	FoodSaver® Bag, Canister	1-2 years	6 months
Dried Coconut	Pantry	FoodSaver® Bag, Canister	1-2 years	6 months
Flour	Pantry	FoodSaver® Bag, Canister	1-2 years	6 months
Sugar, Brown Sugar	Pantry	FoodSaver® Bag, Canister	1-2 years	6 months
<b>Snack Foods</b>				
Chips	Pantry	FoodSaver® Canister	3-6 weeks	1-2 weeks
Cookies, Crackers	Pantry	FoodSaver® Canister	3-6 weeks	1-2 weeks

# Troubleshooting

## **Nothing happens when the on button is pressed:**

- Check to see that the appliance is plugged in. Test electrical outlet by plugging in another appliance.
- The appliance will shut off automatically if overheated. Allow to cool down for 20 minutes and try again.
- Check supply cord and plug for damage. If damaged, do not use the appliance.

## **Air is not removed from the bag:**

- To seal properly, open end of bag should be resting entirely inside Vacuum Channel area.
- Check sealing strip and gasket beneath the lid for debris. Wipe off and then smooth back into place.
- Bag may have a leak. To test, seal the bag with some air in it, submerge in water, and apply pressure. Bubbles indicate a leak. Reseal or use another bag.
- Open bag and dry/wipe at top end of bag. Ensure no food particles are in/around top of bag.

## **Air was removed from the bag, but has come back into the bag:**

- Leaks along the seal can be caused by wrinkles, crumbs, grease or liquids. Reopen bag, wipe the top inside of the bag and smooth it out along the sealing strip before resealing.
- The release of natural gases or fermentation from foods, (such as fresh fruits and vegetables) may have occurred. Most vegetables require blanching prior to vacuum packing. See page 17 for more details. Open bag, if you think food has begun to spoil, discard food. Lack of refrigeration or fluctuating temperatures in the Refrigerator can cause food to spoil.

- Check the bag for a puncture or hole, which may have released the vacuum. Cushion sharp edges in the contents of the bag with paper towels.

## **The Bag Melts:**

- Should sealing strip overheat and melt the bag, it may be necessary to lift the lid and allow sealing strip to cool for a few minutes.
- Built-in safety shut-off may shut the appliance off if it becomes overheated. Allow the unit to cool down for 20 minutes and try again.

## **The FoodSaver® Storage Life with FoodSaver® Canister will not vacuum:**

- Make sure the rubber gasket on the canister lid is free from food materials, crumbs, coffee grinds, etc.
- Make sure the rim of the canister does not have any cracks or scratches. Any gaps can prevent a vacuum from forming.
- Make sure you aren't filling the canister too full prior to vacuum packaging. Always leave at least 7.5cm between the contents and the lid.

## **The FoodSaver® Storage Life with FoodSaver® Bottle Stopper will not vacuum:**

- Make sure the Bottle Stopper is fitting snugly inside the bottle. If it is loose, air may leak in and prevent a vacuum from forming.
- Make sure the neck of the bottle and tip of the Accessory Hose are free from food materials, crumbs, etc. Any gaps created by food etc, will prevent a vacuum from forming:

**Note:** For all accessories, make sure the Accessory Hose is completely inserted into appliance and lid of accessory. Twist grey tab on Accessory Hose while inserting to ensure a tight fit.

# Notes

# 12 Month Replacement Guarantee

In the unlikely event that this appliance develops any malfunction within 12 months of purchase (3 months commercial use) due to faulty materials or manufacture, we will replace it for you free of charge.

Should you experience any difficulties with your appliance, please phone our customer service line for advice on 1300 881 861 in Australia, or 0800 786 232 in New Zealand. Alternatively, you can send a written claim to Sunbeam at the address listed below. On receipt of your claim, Sunbeam will seek to resolve your difficulties or, if the appliance is defective, advise you on how to obtain a replacement or refund.

Your Sunbeam 12 Month Replacement Guarantee naturally does not cover misuse or negligent handling and normal wear and tear.

Similarly your 12 Month Replacement Guarantee does not cover freight or any other costs incurred in making a claim. Please retain your receipt as proof of purchase.

The benefits given to you by this guarantee are in addition to your other rights and remedies under any laws which relate to the appliance.

Our goods come with guarantees that cannot be excluded under the Australian Consumer Law and under the New Zealand Consumer Guarantees Act.

In Australia you are entitled to a replacement or refund for a major failure and for compensation for any other reasonably foreseeable loss or damage. You are also entitled to have the goods repaired or replaced if the goods fail to be of acceptable quality and the failure does not amount to a major failure.

Should your appliance require repair or service after the guarantee period, contact your nearest Sunbeam service centre.

For a complete list of Sunbeam's authorised service centres visit our website or call:

## **Australia**

[www.sunbeam.com.au](http://www.sunbeam.com.au)

**1300 881 861**

Units 5 & 6, 13 Lord Street  
Botany NSW 2019 Australia

## **New Zealand**

[www.sunbeam.co.nz](http://www.sunbeam.co.nz)

**0800 786 232**

26 Vestey Drive, Mt Wellington  
Auckland, New Zealand

## Need help with your appliance?

Contact our customer service team or visit our website for information and tips on getting the most from your appliance.

### In Australia

Visit [www.sunbeam.com.au](http://www.sunbeam.com.au)

Or call 1300 881 861

### In New Zealand

Visit [www.sunbeam.co.nz](http://www.sunbeam.co.nz)

Or call 0800 786 232

### Distributed by:

Sunbeam Corporation Limited

ABN 45 000 006 771

Sunbeam Corporation is a division of GUD Holdings Ltd.

 is a registered trademark.

[www.sunbeam.com.au](http://www.sunbeam.com.au)

Units 5 & 6, 13 Lord St Botany

NSW 2019 Australia

Unit 3, Building D, 26 Vestey Drive

Mt Wellington, Auckland New Zealand

© 2011 Sunbeam Products Inc. doing business as Jarden Consumer Solutions. All rights reserved.

Foodsaver® is a registered trademark of Sunbeam Products, Inc. Some images and text are copywrited.

Made in China.

Due to minor changes in design or otherwise, the product may differ from the one shown in this leaflet.