

**EPSON Advanced Printer Driver for TM series**  
**TM Printer Driver**  
**User's Manual**

**Revision L**

**Seiko Epson Corporation**

**Notes**

- (1) Reproduction of this documentation by any means in part or in whole is prohibited.
- (2) Contents of this documentation are subject to change without notice.
- (3) Epson will not be responsible for any consequences resulting from the use of any information in this documentation.
- (4) Comments and notification of any mistakes in this documentation are gratefully accepted.

**Trademarks**

Microsoft, Windows 95, Windows 98, Windows NT, Windows 2000, Windows XP, Visual Basic and Visual C++ are trademarks and registered trademarks of Microsoft Corporation, USA.

Epson and ESC/POS are registered trademarks of Seiko Epson Corporation.

All other company names and trademarks mentioned in this documentation are the property of their respective owners.

# Contents

<b>1.</b>	<b>INTRODUCTION .....</b>	<b>1</b>
1.1.	Modification from the old version.....	1
<b>2.</b>	<b>OPERATING ENVIRONMENT .....</b>	<b>3</b>
2.1.	Operating Systems.....	3
2.2.	Computer.....	3
2.3.	Printer.....	4
2.3.1.	Printer.....	4
2.3.2.	Printer Port.....	6
<b>3.</b>	<b>PRINTER SETTINGS .....</b>	<b>8</b>
3.1.	Paper Size.....	8
3.2.	Resolution.....	9
3.3.	Paper Source.....	10
3.4.	Print Quality .....	10
<b>4.</b>	<b>PRINTER FONTS.....</b>	<b>11</b>
4.1.	Example of Printer Font Printing.....	11
<b>5.</b>	<b>PRINTING BAR CODES .....</b>	<b>12</b>
5.1.	List of Bar Codes.....	12
5.2.	Cautions on Printing Bar Code.....	12
5.3.	Example of Bar Code Printing.....	13
<b>6.</b>	<b>PRINTING TWO-DIMENSIONAL CODES.....</b>	<b>14</b>
6.1.	List of Two-dimensional Codes .....	14
6.2.	Cautions on Two-dimensional Codes.....	14
6.3.	Example of Two-dimensional Code Printing .....	14
<b>7.</b>	<b>SPECIAL FUNCTIONS .....</b>	<b>15</b>
7.1.	List of Special Functions .....	15
7.2.	Special Function for DM-D10x, 20x Printer Driver.....	16
7.3.	Special Function for DM-D50x Printer Driver.....	16
7.4.	Cautions on Use of Special Functions.....	17
7.5.	Example of Use of Special Functions.....	17
<b>8.</b>	<b>EXTENDED SPECIAL FUNCTIONS .....</b>	<b>19</b>
<b>9.</b>	<b>NOTE.....</b>	<b>20</b>
<b>10.</b>	<b>APPENDIX A: PRINTER DRIVER SPECIFICATION .....</b>	<b>23</b>
10.1.	TM-T88II/TM-T88IIR/TM-T88III Printer Driver.....	23
10.1.1.	Receipt .....	23

10.1.2.	<i>Reduce35</i> .....	25
10.2.	TM-T90 Printer Driver .....	26
10.2.1.	<i>Receipt</i> .....	26
10.2.2.	<i>Reduce35</i> .....	28
10.2.3.	<i>Reverse</i> .....	29
10.3.	TM-L90 Printer Driver .....	30
10.3.1.	<i>Receipt</i> .....	30
10.3.2.	<i>Reduce35</i> .....	32
10.3.3.	<i>Reverse</i> .....	33
10.3.4.	<i>Label</i> .....	34
10.3.5.	<i>Reverse</i> .....	36
10.4.	TM-L60II Printer Driver .....	37
10.4.1.	<i>Receipt</i> .....	37
10.4.2.	<i>Label</i> .....	39
TM-H5000II Printer Driver.....		41
10.4.3.	<i>Receipt</i> .....	41
10.4.4.	<i>Reduce35</i> .....	43
10.4.5.	<i>Slip</i> .....	44
10.5.	TM-U590 Printer Driver.....	45
10.5.1.	<i>Slip</i> .....	45
10.6.	TM-H6000 Printer Driver.....	46
10.6.1.	<i>Receipt</i> .....	46
10.6.2.	<i>Reduce35</i> .....	48
10.6.3.	<i>Slip</i> .....	49
10.6.4.	<i>Endorse</i> .....	50
10.7.	TM-H6000II Printer Driver.....	51
10.7.1.	<i>Receipt</i> .....	51
10.7.2.	<i>Reduce35</i> .....	53
10.7.3.	<i>Slip</i> .....	54
10.7.4.	<i>Endorse</i> .....	55
10.8.	TM-U675 Printer Driver.....	56
10.8.1.	<i>Receipt</i> .....	56
10.8.2.	<i>Slip</i> .....	57
10.8.3.	<i>Validation</i> .....	58
10.9.	TM-U950 Printer Driver.....	59
10.9.1.	<i>Receipt</i> .....	59
10.9.2.	<i>Slip</i> .....	61
10.10.	TM-U295 Printer Driver.....	62
10.10.1.	<i>Slip</i> .....	62
10.11.	TM-U325 Printer Driver.....	63
10.11.1.	<i>Receipt</i> .....	63

10.11.2. Validation.....	64
10.12. TM-U230 Printer Driver.....	65
10.12.1. Receipt .....	65
10.13. TM-U210A(R), TM-U210B, TM-U210D Printer Driver.....	66
10.13.1. Receipt .....	66
10.14. TM-J8000 Printer Driver.....	67
10.14.1. Receipt .....	67
10.14.2. Reduce35.....	69
10.14.3. Slip.....	70
10.15. TM-J2000/2100 Printer Driver.....	71
10.15.1. Receipt .....	71
10.15.2. Reduce35.....	73
10.15.3. Reverse.....	74
10.16. TM-J7000/7100 Printer Driver.....	75
10.16.1. Receipt .....	75
10.16.2. Reduce35.....	78
10.16.3. Slip.....	79
10.16.4. Endorse.....	81
10.17. TM-H3000R Printer Driver.....	83
10.17.1. Receipt .....	83
10.17.2. Reduce35.....	85
10.17.3. Slip.....	86
10.18. RP-U420 Printer Driver.....	87
10.18.1. Receipt/Journal.....	87
10.18.2. Validation.....	88
10.19. DM-D10x/20x, DM-D110/210 Printer Driver .....	89
10.20. DM-D50x Printer Driver.....	90
10.20.1. DM-D500Graphic Driver.....	90
10.20.2. DM-D500 42x8 Driver.....	90
10.20.3. DM-D500 32x4 Driver.....	91
10.20.4. DM-D500 32x3 Driver.....	91
10.20.5. DM-D500 32x2 Driver.....	91
10.20.6. DM-D500 20x2 Driver.....	92
<b>11. APPENDIX B: POINT SIZE OF THE PRINTER FONT .....</b>	<b>93</b>
11.1. Printer driver for TM.....	93
11.2. Printer driver for DM-D .....	94
<b>12. APPENDIX C: THE NUMBER OF PRINTABLE BARCODE DATA CHARACTERS IN ONE LINE .....</b>	<b>95</b>
12.1. Printer driver for TM.....	95
<b>13. APPENDIX D: SUPPORT FUNCTIONS LIST BY CONTROL FONTS.....</b>	<b>1</b>

# 1. Introduction

This driver is a Windows Printer Drivers for the EPSON TM printer. Through the use of this driver, it is possible to print from a Windows application.

This manual explains the items necessary when handling this driver. Please be sure to read this manual before using this driver in order to utilize the functions of this driver fully and use it correctly.

The following sample programs and source code for them are also provided for application developers. Please use them as references for developing applications.

- Visual Basic 5.0 with Office Service Pack 3, 32-bit Sample Program
- Visual C++ 4.0 Sample Program

## 1.1. Modification from the old version

### Ver2.07

- Supported for the TM-U950, TM-U295, TM-L60II.
- Upside-down printing function is added to the drivers for the TM-L90 and the TM-T90.
- Problem that installation cannot be done in Windows while the Terminal Service is operating is corrected.

### Ver2.06

- Supported for the TM-J7000/J7100.
- Correction of the problem of different print lengths depending on resolution
- When a user except an administrator uses a printer with a USB connection, printing will perform correctly when the printer is turned on after starting the OS.
- In Windows2000/XP, improvement of the time-out process with a parallel port.
- Correct a failure of an installation on a specific PC.

### Ver2.05

- Supported of the TM-U325.
- Supports WindowsXP.
- Supports printing with a spooler in Windows2000.
- With Windows2000, when using a parallel port, printing quality is improved by increasing data transmission speed.
- Graphic printing quality for the TM-T90 and TM-L90 is improved.
- A spool writing error dialog display is prevented when data from a PC is sent while the printer power is off with a USB connection.
- Problem that some printing overlapped if a slip printer driver's internal font is printed is corrected.

### Ver2.04

- Supported of the TM-U590.

<b>EPSON</b>	TITLE EPSON Advanced Printer Driver for TM series TM Printer Driver User's Manual	Revision  L	No	
			NEXT 2	SHEET 1

- In the receipt driver's paper feed selection, the selection "Report [No feed]," has been added, in which the paper is not cut and the paper is not fed after printing is completed.
- A paper cut function in which the paper is cut without paper feed has been added to the special functions (control Font).
- Use of expanded special functions (controlA Font) has been enabled in all drivers.

Ver2.03d

- Supported of the TM-L90.
- Fixed problem that following drivers cannot be multi-installed.  
EPSON RP-U420 Validation, EPSON TM-H3000(R) Receipt, EPSON TM-H3000(R) Reduce35, EPSON TM-H5000II Receipt, EPSON TM-H5000II Reduce35, EPSON TM-H6000II Receipt, EPSON TM-H6000II Reduce35, EPSON TM-H6000II Endorse, EPSON TM-J2000/2100 Receipt, EPSON TM-J2000/2100 Reverse, EPSON TM-J2000/2100 Reduce35, EPSON TM-T88II(R) Receipt, EPSON TM-T88II(R) Reduce35, EPSON TM-U210A(R) Receipt, EPSON TM-U675 Validation
- Fixed problem that EPSON TM-T90 Receipt driver cannot print plural 2-dimension code normally.

Ver2.03c

- Supported of the TM-H6000II and TM-J2000/2100.

Ver2.03b

- The TM-T90 printer driver has improved print speed and improved quality in color graphics printing.
- Fixed problem that prevents TM-T88II(R) Reduce35 driver from being installed.

Ver2.03

- Supported of the TM-T90 and TM-U210A(R)
- Supported of the DM-D110, DM-D210
- Modified to be selectable BOF sensor on the TM-J8000 (Slip) driver and TM-H3000R (Slip) driver.
- Fixed the problem that multi-installed drivers cannot print normally on the TM-U230 Receipt driver, TM-J8000 Receipt driver and RP-U420 Receipt driver under Win95/98.

Ver2.02

- Supported of the TM-U230
- Supported of the RP-U420
- Supported of the reduce Driver

Ver2.01

- Supported of the TM-H3000R
- Supported of the USB, Ethernet interface board
- Supported of Windows2000

Ver2.00

New Release

<b>EPSON</b>	TITLE EPSON Advanced Printer Driver for TM series TM Printer Driver User's Manual	Revision  L	No	
			NEXT 3	SHEET 2

## 2. Operating Environment

### 2.1. Operating Systems

This software supports the following operating systems.

- Microsoft Windows 95(OSR2 or later)
- Microsoft Windows 98
- Microsoft Windows NT 4.0
- Microsoft Windows 2000
- Microsoft Windows XP

In this driver's English version, it is possible to print the Euro symbol using the printer fonts. Persons who desire to print the Euro symbol and persons who use an OS other than Windows 98 should use the following update files, offered by Microsoft Corporation and update their OS.

- Microsoft Windows 95 : Euro Update Patch [w95euro.exe]
- Microsoft Windows NT 4.0 : Euro Update Patch [nt4\_euro.exe] / Service Pack 4

### 2.2. Computer

This software supports the following computer on which the above operating systems are run.

- AT Compatible Machines

<b>EPSON</b>	TITLE EPSON Advanced Printer Driver for TM series TM Printer Driver User's Manual	Revision  L	No	
			NEXT 4	SHEET 3



## 2.3. Printer

### 2.3.1. Printer

This software is compatible with the printer shown in the table below.

Please install the printer driver that is appropriate for your use.

Also, for details of the paper sizes and names of printer fonts, etc. Supported by each driver, see Appendix A.

Printer	Printing paper	Driver name
TM-T88II TM-T88IIR	Receipt	EPSON TM-T88II(R) Receipt EPSON TM-T88II(R) Reduce35
TM-T88III	Receipt	EPSON TM-T88III Receipt EPSON TM-T88III Reduce35
TM-T90	Receipt	EPSON TM-T90 Receipt (*2) EPSON TM-T90 Reduce35 (*2)
TM-L90	Receipt	EPSON TM-L90 Receipt (*2) EPSON TM-L90 Reduce35 (*2)
	Label	EPSON TM-L90 Label (*2)
TM-L60II	Receipt	EPSON TM-L60II Receipt
	Label	EPSON TM-L60II Label
TM-H5000II	Receipt	EPSON TM-H5000II Receipt EPSON TM-H5000II Reduce35
	Slip	EPSON TM-H5000II Slip
TM-U590	Slip	EPSON TM-U590 Slip
TM-U675	Receipt	EPSON TM-U675 Receipt
	Slip	EPSON TM-U675 Slip
	Validation	EPSON TM-U675 Validation
TM-U325	Receipt	EPSON TM-U325 Receipt
	Validation	EPSON TM-U325 Validation
TM-U230	Receipt	EPSON TM-U230 Receipt (*2)
TM-U210A TM-U210AR	Receipt	EPSON TM-U210A(R) Receipt (*2)
TM-U210B	Receipt	EPSON TM-U210B Receipt (*2)
TM-U210D	Receipt	EPSON TM-U210D Receipt (*2)
TM-U950	Receipt	EPSON TM-U950 Receipt
	Slip	EPSON TM-U950 Slip
TM-U295	Receipt	EPSON TM-U295 Slip
TM-H6000	Receipt	EPSON TM-H6000 Receipt EPSON TM-H6000 Reduce35
	Slip (Surface)	EPSON TM-H6000 Slip
	Slip (Endorse)	EPSON TM-H6000 Endorse
TM-H6000II	Receipt	EPSON TM-H6000II Receipt (*2) EPSON TM-H6000II Reduce35 (*2)
	Slip (Surface)	EPSON TM-H6000II Slip
	Slip (Endorse)	EPSON TM-H6000II Endorse
TM-J8000	Receipt	EPSON TM-J8000 Receipt EPSON TM-J8000 Reduce35
	Slip	EPSON TM-J8000 Slip
TM-J2000/2100	Receipt	EPSON TM-J2000/2100 Receipt (*2) EPSON TM-J2000/2100 Reduce35 (*2) EPSON TM-J2000/2100 Reverse (*2)
TM-J7000/7100	Receipt	EPSON TM-J7000/7100 Receipt (*2) EPSON TM-J7000/7100 Reduce35 (*2)
	Slip (Surface)	EPSON TM-J7000/7100 Slip (*2)

<b>EPSON</b>	TITLE	Revision	No	
	EPSON Advanced Printer Driver for TM series TM Printer Driver User's Manual	L	NEXT	SHEET
			5	4

	Slip (Endorse)	EPSON TM-J7000/7100 Endorse (*2)
TM-H3000R	Receipt	EPSON TM-H3000(R) Receipt EPSON TM-H3000(R) Reduce35
	Slip	EPSON TM-H3000(R) Slip
RP-U420	Receipt	EPSON RP-U420 Receipt
	Validation	EPSON RP-U420 Validation
DM-D10X/20X(*1)	Customer Display	EPSON DM-D10X/20X
DM-D110/210	Customer Display	EPSON DM-D110/210
DM-D50X	Customer Display(Graphic mode)	EPSON DM-D50X Graphics
	Customer Display(Text mode)	EPSON DM-D50X 42x8 EPSON DM-D50X 32x4 EPSON DM-D50X 32x3 EPSON DM-D50X 32x2 EPSON DM-D50X 20x2

(\*1) DM-D202 is not supported.

(\*2) Two-color Printing Driver

**[Caution]**

- Concerning the printer driver for the DM-D50x, please install and use the respective drivers that meet your specific needs, such as graphic status display, the size of display characters required, etc.
- The Two-color Printing Driver normally prints in two colors. For monochrome printing, specify Gray Scale printing. In the case of Windows95/98, click the “Color” button in the printer’s “Properties” dialog, and specify “Print in black and white only” for the Color control. In the case of Windows NT4.0, specify the Color Appearance as “Gray Scale” in the “Page Setup” tag of the printer’s “Document Default” properties dialog. In the case of Windows 2000/XP, specify the Color as “Gray Scale” in the “Paper/Quality” tag of the printer’s “Printing Preference” properties dialog.

<b>EPSON</b>	TITLE EPSON Advanced Printer Driver for TM series TM Printer Driver User’s Manual	Revision  L	No	
			NEXT 6	SHEET 5

### 2.3.2. Printer Port

The printer can be connected using the following interfaces.

- Parallel Interface
- Serial Interface
- USB Interface (Windows98 Second Edition, Windows 2000 or Windows XP only)
- Ethernet Interface

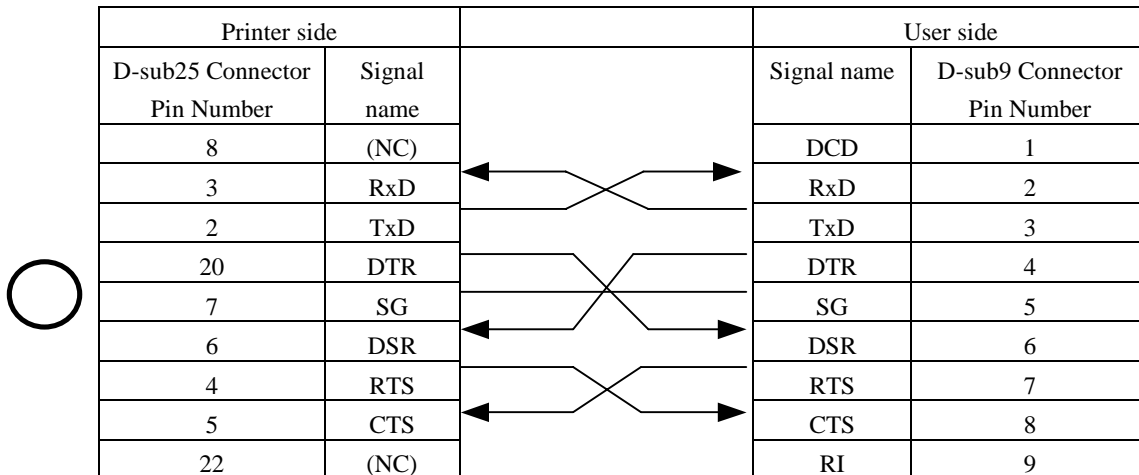
It is recommended that connection to the parallel interface be made when printing at high speed.

Also, if you desire to print at higher speeds, set the operating mode for your parallel port on the ECP mode in your computer's BIOS settings.

When using a parallel interface with Windows2000, XP, use the ESD\_LPTx port. If ESD\_LPTx is not displayed, select LPTx.

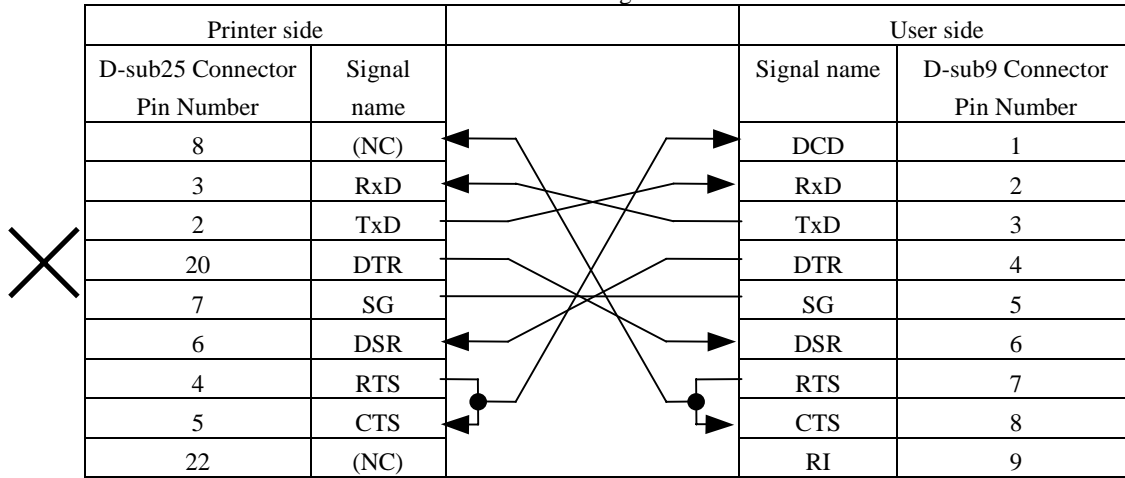
#### [Caution]

- With some computers, if the ECP mode is set for the parallel port-operating mode, it may become impossible to print normally or to use Status Monitor API. In this case, clear the ECP Mode setting.
- When connecting a serial, use the cable of the following wiring.



Furthermore, there is one more wiring structure of the cable which cannot be used.

Cable wiring which cannot be used



**EPSON**

TITLE  
EPSON Advanced Printer Driver for TM series  
TM Printer Driver  
User's Manual

Revision  
L

No  
NEXT  
8

SHEET  
7

## 3. Printer Settings

Here, paper size, resolution and print quality settings are explained. For other items, see the Windows Help menu.

### 3.1. Paper Size

This specifies the paper size used when printing. Also, for the paper sizes that can be specified in each driver, see Appendix A.

In Windows 95/98, this can be set from the paper screen in the printer's "Properties" dialog. In Windows NT 4.0, it can be set in the advanced screen of the printer's "Document Default" dialog. In Windows 2000/XP, it can be set in the advanced screen of the printer's "Printing Preferences" dialog.

#### [Caution]

- There are several paper widths. Specify the paper size with a width that matches the specifications of the printer you are using.
- If you are printing in Microsoft Word, etc., if you set the left and right margins at 0 mm, you can print over the printer's full printable range.
- A user defined size can be used in Windows 95/98. Specify the following values for printing width for each printer and each paper size. Furthermore, the left and right margins should be specified in some drivers.

Driver	Paper width	User Defined Value Specified	Left margins	Right margins
TM-H5000II Receipt TM-H6000 Receipt	80mm	80mm	3.7mm	3.7mm
TM-T88II(R) Receipt TM-T88III Receipt	58mm	58mm	3.7mm	3.5mm
TM-T90 Receipt	80mm	72mm	0mm	0mm
	60mm	54.5mm		
	58mm	52.5mm		
TM-L90 Receipt	80mm	72mm	0mm	0mm
	60mm	54.5mm		
	38mm	32.2mm		
TM-J2000/2100 Receipt TM-J2000/2100 Reverse TM-J7000/7100 Receipt	82.5mm	72.2mm	0mm	0mm
	76mm	67.7mm		
	70mm	60mm		
	58mm	50.8mm		
TM-U210 Receipt TM-U325 Receipt	76mm	63.5mm	0mm	0mm

<b>EPSON</b>	TITLE	Revision	No	
	EPSON Advanced Printer Driver for TM series TM Printer Driver User's Manual	L	NEXT	SHEET
			9	8

TM-U675 Receipt	82.5mm	82.5mm	4.6mm	6.6mm
	76mm	76mm	6.1mm	6.6mm
TM-L90 Label	80mm	70.1mm	0mm	0mm
	60mm	50.3mm		
	38mm	28.3mm		
TM-H5000II Reduce35 TM-H6000 Reduce35 TM-T88II(R) Reduce35 TM-T88III Reduce35	80mm	210mm	0mm	0mm
TM-T90 Reduce35	80mm	210mm	0mm	0mm
	60mm	157.5mm		
	58mm	152.4mm		
TM-L90 Reduce35	80mm	210mm	0mm	0mm
	60mm	157.5mm		
	38mm	93.6mm		
TM-J2000/2100 Reduce35 TM-J7000/7100 Reduce35	82.5mm	232mm	0mm	0mm
	76mm	217.7mm		
	70mm	195.9mm		
	58mm	163mm		
TM-H5000II Slip		135.5mm	0mm	0mm
TM-H6000 Slip				
TM-U675 Slip		85.7mm	0mm	0mm
TM-U675 Validation		85.7mm	0mm	0mm

### 3.2. Resolution

This specifies the graphics printing resolution. Also, for the print resolutions that can be specified in each driver, see Appendix A.

In Windows 95/98, it can be set in the graphics screen of the printer's "Properties" dialog.

In Windows NT 4.0, it can be set in the advanced screen of the printer's "Document Default" dialog.

In Windows 2000/XP, it can be set in the advanced screen of the printer's "Printing Preferences" dialog.

#### [Caution]

If a high resolution is specified, printing results will be prettier, but printing time will become longer.

<b>EPSON</b>	TITLE EPSON Advanced Printer Driver for TM series TM Printer Driver User's Manual	Revision  L	No	
			NEXT 10	SHEET 9

### 3.3. Paper Source

This selects the paper cutting method in accordance with the paper feed selection. For the paper cutting methods that can be specified with each driver, see Appendix A.

In Windows 95/98, it can be set in the graphics screen of the printer's "Properties" dialog.

In Windows NT 4.0, it can be set in the advanced screen of the printer's "Document Default" dialog.

In Windows 2000/XP, it can be set in the advanced screen of the printer's "Printing Preferences" dialog.

#### [Caution]

The paper cutting method us for each respective paper feed method is as shown below.

- In the case of a Report, paper feeding is not executed between pages, but after all the pages are printed, paper feeding and paper cutting are executed.
- In the case of a form, paper feeding is carried out between pages, with paper being feed and cut in page units.
- If a Report [No Cut] or Form [No. Cut] is specified, only paper feeding is executed and paper cutting is not performed.
- In the "Report [No Feed] setting, the paper is not fed and the paper is not cut between pages or after all the printing is completed.
- If Slip is specified, sheets are delivered one page at a time.

### 3.4. Print Quality

This specifies the print quality. For the print qualities that can be specified by each driver, see Appendix A.

In Windows 95/98, it can be set in the graphics screen of the printer's "Properties" dialog.

In Windows NT 4.0, it can be set in the advanced screen of the printer's "Document Default" dialog.

In Windows 2000/XP, it can be set in the advanced screen of the printer's "Printing Preferences" dialog.

<b>EPSON</b>	TITLE EPSON Advanced Printer Driver for TM series TM Printer Driver User's Manual	Revision  L	No	
			NEXT 11	SHEET 10

## 4. Printer Fonts

In this driver, it is possible to print using printer fonts other than True Type fonts. In cases where you desire to print at high speed, please use printer fonts. For the printer fonts that can be specified by each driver, see Appendix A. Also, for the point sizes that can be specified for each printer font, see Appendix B.

### [Caution]

- Fonts with an “[Ext.]” included in the font name are supported in the English version driver only, and use the arrangement of the IBM expanded character set.
- Fonts with an “[254]” “[255]” included in the font name use page 254,255(Space page) of the TM printer.

### 4.1. Example of Printer Font Printing

Using the “WordPad” program which accompanies Windows 95 as an example, here we will show the printer font print procedure. However, the printer fonts are not available in WordPad bundled with WindowsNT4.0. Please use the other applications.



- 1 Select the printer font to be used from the font list.
- 2 Select the size from the font sizes.
- 3 Input a character string.
- 4 Execute printing.

<b>EPSON</b>	TITLE EPSON Advanced Printer Driver for TM series TM Printer Driver User's Manual	Revision  L	No	
			NEXT <b>12</b>	SHEET 11



## 5. Printing Bar Codes

In this driver, a printer font for printing bar codes is also provided. For the bar code fonts that can be specified by each driver, see Appendix A. Select the printer font corresponding to the bar code type to be printed, then simply enter the code to print bar code. However, no bar code image is displayed in the application's editing screen. Input codes are displayed in text format. Printing of bar codes with HRI characters included can also be done. Please refer to the chapter on special functions concerning this method.

### 5.1. List of Bar Codes

Printer Font Name	Size
Codabar	20/40/60/80
Code39	20/40/60/80
JAN13[EAN]	20/40/60/80
JAN8[EAN]	20/40/60/80
ITF	20/40/60/80
UPC-A	20/40/60/80
UPC-E	20/40/60/80
Code93	20/40/60/80
Code128	20/40/60/80

### 5.2. Cautions on Printing Bar Code

1. When choosing printer font Code128, the code set selection character (which is "{A", "{B", "{C") must be always specified at the head of the text.

For example, specify "{B1234", when printing letter "1234".

2. When choosing printer fonts Code93, Code128 from the program of VC and VB, and printing them, char 00h-1Fh cannot be printed, used A0h-BFh instead.

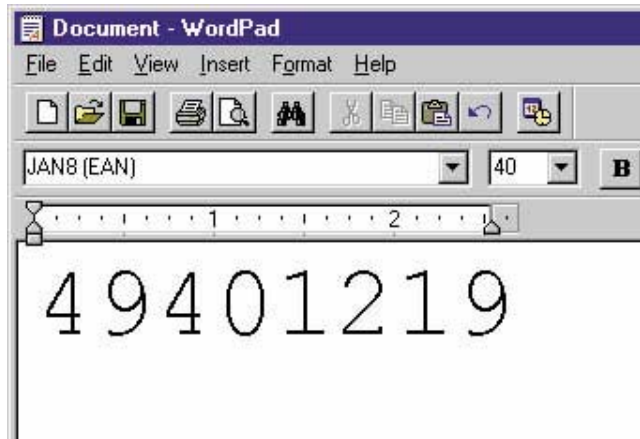
For example, when printing control character 'CR' (code 0Dh) in Code93, the output code is as follows.

(1D 6B 48 01 AD)

<b>EPSON</b>	TITLE EPSON Advanced Printer Driver for TM series TM Printer Driver User's Manual	Revision  L	No	
			NEXT <b>13</b>	SHEET 12

### 5.3. Example of Bar Code Printing

The bar code printing procedure is shown here using the “WordPad” editor that accompanies Windows 95. However, the printer fonts are not available in WordPad bundled with WindowsNT4.0. Please use the other applications.



- 1 Select the printer font for the bar code you desire to use from the font list.
- 2 Select the size from among the available font sizes.
- 3 Input the code data.
- 4 Execute printing.

The input data will be printed out as a bar code.

<b>EPSON</b>	TITLE EPSON Advanced Printer Driver for TM series TM Printer Driver User's Manual	Revision  L	No	
			NEXT <b>14</b>	SHEET 13

## 6. Printing Two-dimensional Codes

This driver also provides fonts for printing two-dimensional codes. For the two-dimensional code fonts that can be specified by each driver, see Appendix A. Select the printer font corresponding to the bar code type to be printed, then simply enter the code to print two-dimensional bar code.

### 6.1. List of Two-dimensional Codes

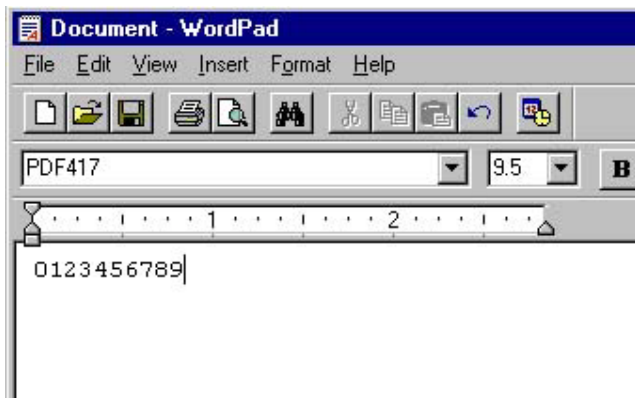
Font Name
PDF417
QR Code
Maxi Code

### 6.2. Cautions on Two-dimensional Codes

1. Use the two-dimensional code parameter setting tool (2D Code Tool), for specifying the various parameters necessary for two-dimensional code printing, such as the symbol size and error correction level. For how to use the tool, see to “11.1. 2D Code Tool”.
2. When using applications such as Word or Wordpad to create code data, the contents displayed by the applications will differ from the actual printed results. The applications only display character strings; they do not show the actual two-dimensional codes.
3. When choosing printer fonts for two-dimensional codes from the program of VC++ and VB, and printing them, char 00h-1Fh cannot be printed.
4. The mode2 and mode3 on the Maxi Code is not supported.

### 6.3. Example of Two-dimensional Code Printing

The Two-dimensional Code printing procedure is shown here using the “WordPad” editor that accompanies Windows 95. However, the printer fonts are not available in WordPad bundled with WindowsNT4.0. Please use the other applications.



- 1 Select the printer font for the Two-dimensional code you desire to use from the font list.
- 2 Select the size from among the available font sizes.
- 3 Input the code data.
- 4 Execute printing.

The input data will be printed out as a Two-dimensional code.

<b>EPSON</b>	TITLE	Revision	No	
	EPSON Advanced Printer Driver for TM series TM Printer Driver User's Manual		L	NEXT
			15	14

## 7. Special Functions

Using this driver, the inherent functions of the TM printer, such as printing of NV bit images, can be executed.

In order to actually use these functions, an exclusive printer font called “control” is provided. If the “control” font is specified and the characters in the following table are input, then printing performed, the corresponding function is executed.

### 7.1. List of Special Functions

Character	Special Function
1	Print to journal.
2	Print to receipt.
3	Print to receipt and journal.
5	HT is output.
6	LF is output.
7	CR is output.
a	Open Drawer 2 (50ms drive pulse width)
b	Open Drawer 2 (100ms drive pulse width)
c	Open Drawer 2 (150ms drive pulse width)
d	Open Drawer 2 (200ms drive pulse width)
e	Open Drawer 2 (250ms drive pulse width)
f	Cut Receipt (full cut) without paper feeding.
g	Cut Receipt (partial cut) without paper feeding.
p	HRI characters are not added to the bar code.
q	HRI characters are added at the top of the bar code using Font A.
r	HRI characters are added at the bottom of the bar code using Font A.
s	HRI characters are added at the top of the bar code using Font B.
t	HRI characters are added at the bottom of the bar code using Font B.
u	Smoothing enabled
v	Smoothing disabled
w	Text is aligned left.
x	Text is centered.
y	Text is aligned right.
z	Cut Receipt with black mark..
A	Open Drawer 1 (50ms drive pulse width)
B	Open Drawer 1 (100ms drive pulse width)
C	Open Drawer 1 (150ms drive pulse width)
D	Open Drawer 1 (200ms drive pulse width)
E	Open Drawer 1 (250ms drive pulse width)
F	Cut Receipt (full cut)
G	NV bit image No. 1 is printed in the Normal mode.
H	NV bit image No. 2 is printed in the Normal mode.

<b>EPSON</b>	TITLE	Revision	No	
	EPSON Advanced Printer Driver for TM series TM Printer Driver User's Manual	L	NEXT	SHEET
			16	15

I	NV bit image No. 3 is printed in the Normal mode.
J	NV bit image No. 4 is printed in the Normal mode.
K	NV bit image No. 5 is printed in the Normal mode.
P	Cut Receipt (partial cut)
[	NV bit image No. 1 is printed in the Double Height Double Width mode.
]	NV bit image No. 2 is printed in the Double Height Double Width mode.
^	NV bit image No. 3 is printed in the Double Height Double Width mode.
_	NV bit image No. 4 is printed in the Double Height Double Width mode.
`	NV bit image No. 5 is printed in the Double Height Double Width mode.
!	Print stamp.

## 7.2. Special Function for DM-D10x, 20x Printer Driver

Character	Special Function
a	Clear screen (CLR)
b	Clear 1st line (CAN for 1st Line)
c	Clear 2nd line (CAN for 2nd Line)
d	Screen is always lighting
e	Screen is blinking at 10x50msec intervals
f	Screen is blinking at 20x50msec intervals.
G	Screen is blinking at 40x50msec intervals
h	Screen is blinking at 60x50msec intervals.
I	Put out light with saving displayed contents.
J	Set and display a counter time. (US T h m)
k	Display a counter. (US U)
l	Enable reversed character (US r n)
m	Disable reversed character (US r n)
n	Define macro process (US :)
o	Do macro process (US ^ n m, n=5 m=60)

## 7.3. Special Function for DM-D50x Printer Driver

Character	Special Function
a	Clear screen (CLR)
d	Screen is always lighting
e	Screen is blinking at 10x50msec intervals
f	Screen is blinking at 20x50msec intervals.
g	Screen is blinking at 40x50msec intervals
h	Screen is blinking at 60x50msec intervals.
i	Put out light with saving displayed contents.
j	Set and display a counter time. (US T h m)
k	Display a counter. (US U)

<b>EPSON</b>	TITLE	Revision	No	
	EPSON Advanced Printer Driver for TM series TM Printer Driver User's Manual	L	NEXT	SHEET
			17	16

l	Enable reversed character (US r n)
m	Disable reversed character (US r n)
n	Define macro process (US :)
o	Do macro process (US ^ n m, n=5 m=60)
p	Clear 1st line (CAN for 1st Line)
q	Clear 2nd line (CAN for 2nd Line)
r	Clear 3rd line (CAN for 3rd Line)
s	Clear 4th line (CAN for 4th Line)
t	Clear 5th line (CAN for 5th Line)
u	Clear 6th line (CAN for 6th Line)
v	Clear 7th line (CAN for 7th Line)
w	Clear 8th line (CAN for 8th Line)
G	NV bit image No. 1 is printed in the Normal mode.
H	NV bit image No. 2 is printed in the Normal mode.
I	NV bit image No. 3 is printed in the Normal mode.
J	NV bit image No. 4 is printed in the Normal mode.
K	NV bit image No. 5 is printed in the Normal mode.
[	NV bit image No. 1 is printed in the Double Height Double Width mode.
]	NV bit image No. 2 is printed in the Double Height Double Width mode.
^	NV bit image No. 3 is printed in the Double Height Double Width mode.
_	NV bit image No. 4 is printed in the Double Height Double Width mode.
`	NV bit image No. 5 is printed in the Double Height Double Width mode.

Caution: “j” and “k” are supported with only EPSON DM-D50x 20x2.

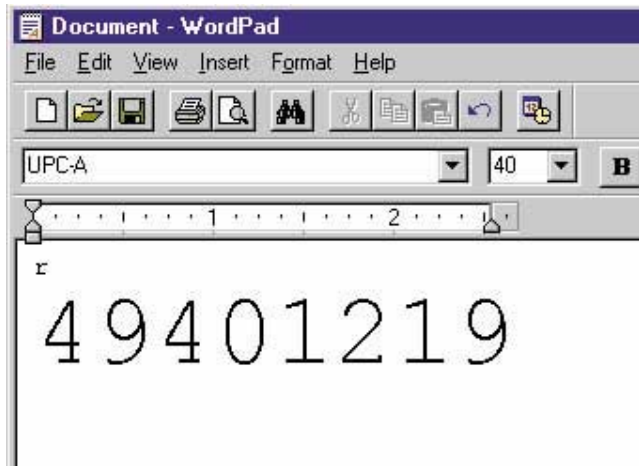
## 7.4. Cautions on Use of Special Functions

- Depending on the printer, there are some functions that are not supported. For the special functions that can be specified by each driver, see Appendix A.
- Printing of characters in the “control” font is not executed. However, if characters which a function does not set are specified, those characters are either printed or displayed.

## 7.5. Example of Use of Special Functions

The bar code printing procedure with HRI characters added is shown here using the “WordPad” editor that accompanies Windows 95. However, the printer fonts are not available in WordPad bundled with WindowsNT4.0. Please use the other applications.

<b>EPSON</b>	TITLE EPSON Advanced Printer Driver for TM series TM Printer Driver User’s Manual	Revision  L	No	
			NEXT <b>18</b>	SHEET 17



- 1 Select the “control” printer font from the font list.
- 2 Select the size from among the available font sizes.
- 3 Input the character “r.”
- 4 Select the printer font for the bar code you would like to use from the font list.
- 5 Select the size form among the available font sizes.
- 6 Input the code data.
- 7 Execute printing.

The input data will be printed out as a bar code with HRI characters added.

<b>EPSON</b>	TITLE EPSON Advanced Printer Driver for TM series TM Printer Driver User's Manual	Revision  L	No	
			NEXT <b>19</b>	SHEET 18

## 8.Extended Special Functions

“controlA” font is provided as an inherent special function. By using with a command defined file (TmCtrlA.ini), you can designate a desired command string as the “controlA” font arbitrary character (a character code with a range between 20 to 7F). Details on how to use this are as follows: (Do not use the “Read-only” file attribute.)

1. controlA command defined files:

[File Name] TmCtrlA.ini

[Installation destination] The printer processor folder for each OS:

Windows 95/98. . . The OS System folder

Windows NT/2K/XP. . . The OS System32\Spool\Prtrprocs\W32x86 folder

2. Description method:

Write descriptions similar to normal INI file format.

[Section Name]

Key\_1=Data\_1

Key\_2=Data\_2

Key\_3=Data\_3

2) Specify the printer name as the section name.

Eg. [TM-U230]

3) Specify each key in a hexadecimal character code corresponding to controlA font.

Eg. When “A” is specified for controlA font, write the key as 41=.

\* The range that can be specified for each key is 20 to 7F.

4) Specify each data as a hexadecimal command corresponding to the character code specified in controlA font.

Eg. When you want to send the initialization command (ESC @), write the data as 1B40.

5) Sample description of an INI file:

[TM-U210]

61=1B6100

62=1B6101

63=1B6102

[TM-T90]

61=1D284C0600304530300101

62=1D284C0600304530310101

63=1D284C0600304530320101

64=1D284C0600304530330101

65=1D284C0600304530340101

<b>EPSON</b>	TITLE EPSON Advanced Printer Driver for TM series TM Printer Driver User's Manual	Revision  L	No	
			NEXT 20	SHEET 19



## 9. Note

- 1) If this driver is used with serial connections in Windows 95, it may be impossible to print normally with some combinations of personal computer and printer. In this case, it will be possible to print normally by lowering the setting value for the FIFO transmit buffer in the Windows 95 COM port settings.
- 2) If this driver is used with serial connections in Windows NT 4.0 or Windows2000/XP, it may be impossible to print normally with some combinations of personal computer and printer. In this case, it will be possible to print normally by disabling FIFO in the Windows NT 4.0, Windows2000, WindowsXP COM port detailed settings.
- 3) When printing on receipt paper blank space is taken at the top of the paper which is greater than the top margin setting value. This is due to the interval which is provided between the paper's cut position and the print position.
- 4) Even if strike through, italics and other attributes are specified for characters printed using printer fonts, they are disregarded. If you want to use these attributes, use Windows fonts.
- 5) If the print direction is set on horizontal, printing cannot be done using printer fonts. Please use Windows fonts.
- 6) If a printer font and graphics data (Windows font or ruled line, etc.) are defined on the same line, the printing results could deviate.
- 7) If printer font double height characters (large size characters specified) and characters from other fonts are defined on the same line, the printing results could deviate.
- 8) If you are using the printer with serial connections, the expected print speed cannot be obtained. In order to print at higher speeds, it is recommended that the printer be used with the exception of serial connections.
- 9) If you are using the printer with parallel connections, if the power is turned on with the paper at the near end position, a no paper error will occur and it will be impossible to print. After adding new paper, turn off the power, then turn it on again.
- 10) In Windows 95/98, if you set the printer driver's print spool on "Disable bi-directional support," and a program is run which uses the Status Monitor API, it will become impossible to print from another application. If you are running a program which uses the Status Monitor API, be sure to set "Enable bi-directional support."
- 11) With some computers, if the ECP mode is set for the parallel port operating mode, it may become impossible to print normally or to use Status Monitor API. In this case, clear the ECP Mode setting.
- 12) In Windows NT4.0, Windows2000 or WindowsXP, bold printing of printer fonts is not possible. Except DBCS Character.
- 13) Driver EPSON DM-D10X/20X doesn't support DM-D202. Also, If TM printer doesn't work if it is connected with DM-D202.
- 14) If any of Customer display DM-D101, 105 or 205 is used independently without connecting to TM Printer, it may not displayed correctly. If so, please connect the connect terminal of Customer Display's Printer with the loop-back connector which is shorted between TxD-RxD and DTR-DSR and RTS-CTS.

<b>EPSON</b>	TITLE EPSON Advanced Printer Driver for TM series TM Printer Driver User's Manual	Revision  L	No	
			NEXT <b>21</b>	SHEET 20

15) When using the printer driver for EPSON Terminal Printers (Page printer, ink-jet printer and others ) and TM printer driver at the same time, the installation and uninstallation goes by the following order:

[Installation]

1. EPSON Terminal Printer driver
2. TM printer driver

[Uninstallation]

1. TM printer driver
2. EPSON Terminal Printer driver

Furthermore, after installation pay attention to the following:

-When installing the EPSON Terminal Printer driver after the TM printer driver is installed, uninstall first the TM printer driver.

-When EPSON Printer Port is unwanted, make BIOS LPT setting other than ECP mode.

-When uninstalling the EPSON Printer Port after the TM printer driver is installed, uninstall first the TM printer driver.

16) Setting the port of TM-T88IIR, the flow control supports only Xon/Xoff.

17) For printer TM-J8000, using font FontA11[OCR] only “SP+,-0123456789<>”.

18) For printer TM-T88II/T88IIR/T88III/H5000II /J8000, using font FontA\*\*/FontB\*\*, FEH [ ] is printed for printing character code 81H, 82H, 84H ~ 9FH.

19) After the Plug&Play request screen ends under Windows2000/XP, “EPSON TM-P2.01” is added to the “Other device” of the device manager. Don't execute “Uninstall” and “Update driver...” of this device.

20) Though sometimes the paper size displayed in property is not contained in the paper sizes that are listed in Appendix A of this manual, please use a paper size that is described in User's manual.

22) TM printers other than the following printer must be set to "Receive buffer full" for the BUSY condition with the DIP switch.

However, the following printer can be set automatically with BiOpenMonPrinter:

TM-T90, TM-L90, TM-J2000/2100, TM-J7000/7100

23) When printing graphic data with TM-T90 (firmware version 1.03 or before) or TM-L90 (firmware version 1.00), white lines might occur in printing due to a printing stop. In this case, it is possible to reduce the frequency of this problem with the following corrections.

In the [RASTER\_LINE\_MAX] section of the file Tmctr1.ini,

Change TM-T90=246 to TM-T90=738

Change TM-L90=246 to TM-L90=738

For Windows95/98, Tmctr1.ini is in the OS system folder and for WindowsNT4.0/2000/XP,

it is in System32\Spool\Prtpprocs\W32x86 in the system folder.

When this change is executed, the printer might stop for a few seconds when starting printing and during printing. This is due to waiting for data transmission.

24) Graphics printing with the special function cannot be aligned at the center or right.

25) Separator page in the printer's “Properties” dialog is not supported.

26) When using the TM-T90 with the serial interface, select hardware control as the flow control.

<b>EPSON</b>	TITLE EPSON Advanced Printer Driver for TM series TM Printer Driver User's Manual	Revision  L	No	
			NEXT	SHEET
			<b>22</b>	21

27) Printing under the following conditions may cause improper printing. To prevent this, set the "Timeout settings: Transmission retry:" in the property of the driver to 3 seconds.

OS: Windows 95/98

Interface: Parallel with ECP mode

Printer: Low speed printer such as slip

28) Although TM-U210 and TM-U230 provide red printer fonts, it is never possible to print both red characters and black characters on the same line.

29) The DM-D driver cannot display underlines.

30) With Windows2000/ XP, "Set detailed printing function enabled" that can be specified in a driver property cannot be used.

31) When using a parallel interface with Windows2000/XP, use the ESD\_LPTx port.

32) With Windows XP, if multiple users log in on one PC, printing will not perform correctly.

33)All the functions, including the extended functions, do not operate correctly with a PC with a USB host controller manufactured by NEC or an extended board with a USB host controller manufactured by NEC; therefore, EPSON does not guarantee the operation with a PC or extended board with a USB host controller manufactured by NEC. With other PCs or extended boards with a USB host controller, the functions should operate correctly; however, EPSON cannot guarantee the operation with all PCs or all extended boards with a USB host controller.

34) When using a parallel interface with Windows 2000/XP, use the ESD\_LPTx port. When installing, if the ESD\_LPTx is not displayed, select LPTx.

35) With Windows 95/98, if printer spool is set to "Print directly to the printer (P)", printing will not be done correctly. Instead, select "Spool printing jobs so program finishes printing faster (S)".

<b>EPSON</b>	TITLE EPSON Advanced Printer Driver for TM series TM Printer Driver User's Manual	Revision  L	No	
			NEXT <b>23</b>	SHEET 22

# 10. Appendix A: Printer Driver Specification

## 10.1. TM-T88II/TM-T88IIR/TM-T88III Printer Driver

### 10.1.1. Receipt

	Specification	Remarks
Driver name	EPSON TM-T88II(R) Receipt EPSON TM-T88III Receipt	Version2.03
Supported Printer font name	FontA11 FontA12 FontA21 FontA22 FontA24 FontA42 FontA44 FontA48 FontA84 FontA88 FontB11 FontB12 FontB21 FontB22 FontB24 FontB42 FontB44 FontB48 FontB84 FontB88	TM Page:2(ANSI character set) TM font name, Character size(dot) FontA(12x24) FontA(12x48) FontA(24x24) FontA(24x48) FontA(24x96) FontA(48x48) FontA(48x96) FontA(48x192) FontA(96x96) FontA(96x192) FontB(9x17) FontB(9x34) FontB(18x17) FontB(18x34) FontB(18x68) FontB(36x34) FontB(36x68) FontB(36x136) FontB(72x68) FontB(72x136)
	FontA11[255] FontA12[255] FontA21[255] FontA22[255] FontA24[255] FontA42[255] FontA44[255] FontA48[255] FontA84[255] FontA88[255] FontB11[255] FontB12[255] FontB21[255] FontB22[255] FontB24[255] FontB42[255] FontB44[255] FontB48[255] FontB84[255] FontB88[255]	TM Page:255(Space page) TM font name, Character size(dot) FontA(12x24) FontA(12x48) FontA(24x24) FontA(24x48) FontA(24x96) FontA(48x48) FontA(48x96) FontA(48x192) FontA(96x96) FontA(96x192) FontB(9x17) FontB(9x34) FontB(18x17) FontB(18x34) FontB(18x68) FontB(36x34) FontB(36x68) FontB(36x136) FontB(72x68) FontB(72x136)
	FontA11[Ext.] FontA12[Ext.] FontA21[Ext.] FontA22[Ext.] FontA24[Ext.] FontA42[Ext.] FontA44[Ext.] FontA48[Ext.] FontA84[Ext.] FontA88[Ext.] FontB11[Ext.] FontB12[Ext.] FontB21[Ext.] FontB22[Ext.] FontB24[Ext.] FontB42[Ext.] FontB44[Ext.] FontB48[Ext.] FontB84[Ext.] FontB88[Ext.]	TM Page:0(IBM Extended character set) TM font name, Character size(dot) FontA(12x24) FontA(12x48) FontA(24x24) FontA(24x48) FontA(24x96) FontA(48x48) FontA(48x96) FontA(48x192) FontA(96x96) FontA(96x192) FontB(9x17) FontB(9x34) FontB(18x17) FontB(18x34) FontB(18x68) FontB(36x34) FontB(36x68) FontB(36x136) FontB(72x68) FontB(72x136)
Supported printer font name for bar code	Codaber Code39 ITF JAN13(EAN) JAN8(EAN) UPC-A UPC-E Code93 -Code128	
Supported printer font name for special function	control	Refer to 13. Appendix D: Support functions list by control fonts
Supported printer font name for Extended special function	controlA	

<b>EPSON</b>	TITLE	Revision	No	
	EPSON Advanced Printer Driver for TM series TM Printer Driver User's Manual	L	NEXT 24	SHEET 23

Supported resolution	180 x 180 *Default 180 x 90 90 x 180 90 x 90	
Supported paper size	80 x 297mm WinNT/2000/XP only 80 x 3275mm Win95/98 only User-defined (72.2x25.4 to 80x3276 mm)	
Supported paper source	Report[No cut] Report[Partial cut] Report[No Feed] Form[No cut] Form[Partial cut]	
Supported print Quality	Smoothing mode on Smoothing mode off	

<b>EPSON</b>	TITLE EPSON Advanced Printer Driver for TM series TM Printer Driver User's Manual	Revision  L	No	
			NEXT <b>25</b>	SHEET 24

### 10.1.2. Reduce35

	Specification	Remarks
Driver name	EPSON TM-T88II(R) Reduce35 EPSON TM-T88III Reduce35	Version2.00
Supported Printer font name	Not Supported	
Supported printer font name for bar Code	Not Supported	
Supported printer font name for Special function	Not Supported	
Supported printer font name for Extended special function	Not Supported	
Supported resolution	62 x 62	
Supported paper size	Target 80mm WinNT/2000/XP only 210 x 3276mm Win95/98only User-Defined (210x25.4 to 210x3276 mm)	
Supported paper source	Report[No cut] Report[Partial cut] Report[No Feed] Form[No cut] Form[Partial cut]	
Supported print Quality	None	

<b>EPSON</b>	TITLE EPSON Advanced Printer Driver for TM series TM Printer Driver User's Manual	Revision  L	No	
			NEXT 26	SHEET 25

## 10.2. TM-T90 Printer Driver

### 10.2.1. Receipt

	Specification	Remarks
Driver name	EPSON TM-T90 Receipt	Version3.02
Supported Printer font name	FontA11 FontA12 FontA21 FontA22 FontA24 FontA42 FontA44 FontA48 FontA84 FontA88 FontB11 FontB12 FontB21 FontB22 FontB24 FontB42 FontB44 FontB48 FontB84 FontB88	TM Page:16(WPC1252) TM font name, Character size(dot) FontA(12x24) FontA(12x48) FontA(24x24) FontA(24x48) FontA(24x96) FontA(48x48) FontA(48x96) FontA(48x192) FontA(96x96) FontA(96x192) FontB(9x17) FontB(9x34) FontB(18x17) FontB(18x34) FontB(18x68) FontB(36x34) FontB(36x68) FontB(36x136) FontB(72x68) FontB(72x136)
	FontA11[255] FontA12[255] FontA21[255] FontA22[255] FontA24[255] FontA42[255] FontA44[255] FontA48[255] FontA84[255] FontA88[255] FontB11[255] FontB12[255] FontB21[255] FontB22[255] FontB24[255] FontB42[255] FontB44[255] FontB48[255] FontB84[255] FontB88[255]	TM Page:255(Space page) TM font name, Character size(dot) FontA(12x24) FontA(12x48) FontA(24x24) FontA(24x48) FontA(24x96) FontA(48x48) FontA(48x96) FontA(48x192) FontA(96x96) FontA(96x192) FontB(9x17) FontB(9x34) FontB(18x17) FontB(18x34) FontB(18x68) FontB(36x34) FontB(36x68) FontB(36x136) FontB(72x68) FontB(72x136)
	FontA11[Ext.] FontA12[Ext.] FontA21[Ext.] FontA22[Ext.] FontA24[Ext.] FontA42[Ext.] FontA44[Ext.] FontA48[Ext.] FontA84[Ext.] FontA88[Ext.] FontB11[Ext.] FontB12[Ext.] FontB21[Ext.] FontB22[Ext.] FontB24[Ext.] FontB42[Ext.] FontB44[Ext.] FontB48[Ext.] FontB84[Ext.] FontB88[Ext.]	TM Page:0(IBM Extended character set) TM font name, Character size(dot) FontA(12x24) FontA(12x48) FontA(24x24) FontA(24x48) FontA(24x96) FontA(48x48) FontA(48x96) FontA(48x192) FontA(96x96) FontA(96x192) FontB(9x17) FontB(9x34) FontB(18x17) FontB(18x34) FontB(18x68) FontB(36x34) FontB(36x68) FontB(36x136) FontB(72x68) FontB(72x136)
Supported printer font name for bar code	Codaber Code39 ITF JAN13(EAN) JAN8(EAN) UPC-A UPC-E Code93 Code128	
Supported printer font name for Two-dimensional code	PDF417	The maximum number of columns that can be input depends on the paper width below: 80mm:512 60mm:384 58mm:360
Supported printer font name for Special function	control	Refer to 13. Appendix D: Support functions list by control fonts

<b>EPSON</b>	TITLE	Revision	No	
	EPSON Advanced Printer Driver for TM series TM Printer Driver User's Manual	L	NEXT	SHEET
			27	26

Supported printer font name for Extended Special function	controlA	
Supported resolution	180 x 180 *Default	
Supported paper size	58 x 297mm 60 x 297mm 80 x 297mm WinNT/2000/XP only 58 x 3275mm 60 x 3275mm 80 x 3275mm Win95/98 only User-defined (50.8x25.4 to 72.2x3276 mm)	
Supported paper source	Report[No cut] Report[cut] Report[No Feed] Form[No cut] Form[cut]	
Supported print Quality	Smoothing mode on Smoothing mode off	



### 10.2.2.Reduce35

	Specification	Remarks
Driver name	EPSON TM-T90 Reduce35	Version3.01
Supported Printer font name	Not Supported	
Supported printer font name for bar Code	Not Supported	
Supported printer font name for Special function	Not Supported	
Supported printer font name for Extended special function	Not Supported	
Supported resolution	62 x 62	
Supported paper size	Target 58mm Target 60mm Target 80mm WinNT/2000/XP only 210 x 3276mm Win95/98only User-Defined (147x25.4 to 210x3276 mm)	
Supported paper source	Report[No cut] Report[cut] Report[No Feed] Form[No cut] Form[cut]	
Supported print Quality	None	

### 10.2.3.Reverse

	Specification	Remarks
Driver name	EPSON TM-T90 Reverse	Version3.03
Supported Printer font name	Not Supported	
Supported printer font name for bar Code	Not Supported	
Supported printer font name for Special function	Not Supported	
Supported printer font name for Extended special function	Not Supported	
Supported resolution	203 x 203	
Supported paper size	80 x 297mm(203) 60 x 297mm 58 x 297mm(203) XX x YY (T90 Reverse) Win95/98only User-Defined (52.6x25.4 to 72.1x297 mm)	
Supported paper source	Form[No cut] Form[Cut] Form[No feed]	
Supported print Quality	None	

#### Notes on upside-down printing

- The driver enables to rotating the printing result 180 degrees to perform upside-down printing on each page. The maximum length of the page is 297mm.
- If XX x YY (T90 Reverse) is selected for paper size, specify the number of dots for the printing area of the upside-down printing in the section of TMCTRL.INI below. Then the area for the upside-down printing can be set freely.  
(Default is the printing area for 80 mm width paper.)  
[TM-T90 Reverse]  
Width=576
- When the paper size XX x YY (T90 Reverse) is selected and if there is no definition described in 1., use the value of the printer that has been already defined (the paper size selected from the printer property sheet) as the printing area to process the upside-down printing.
- Be sure that the paper size selected from the printer property sheet and the paper size selected by an application are the same. If they are different, horizontal and vertical lengths of printing paper might not be obtained correctly and the upside-down printing might not be done correctly.

<b>EPSON</b>	TITLE EPSON Advanced Printer Driver for TM series TM Printer Driver User's Manual	Revision  L	No	
			NEXT 30	SHEET 29

## 10.3.TM-L90 Printer Driver

When using receipt paper without black mark, please select EPSON TM-L90 Receipt driver or EPSON TM-L90 Reduce35. When using receipt paper with black mark or label paper with black mark, please select EPSON TM-L90 Receipt driver. When using label (face stock) paper, please select EPSON TM-L90 label driver.

### 10.3.1. Receipt

	Specification	Remarks
Driver name	EPSON TM-L90 Receipt	Version3.01
Supported Printer font name	FontA11 FontA12 FontA21 FontA22 FontA24 FontA42 FontA44 FontA48 FontA84 FontA88 FontB11 FontB12 FontB21 FontB22 FontB24 FontB42 FontB44 FontB48 FontB84 FontB88	TM Page:2 TM font name, Character size(dot) FontA(12x24) FontA(12x48) FontA(24x24) FontA(24x48) FontA(24x96) FontA(48x48) FontA(48x96) FontA(48x192) FontA(96x96) FontA(96x192) FontB(9x17) FontB(9x34) FontB(18x17) FontB(18x34) FontB(18x68) FontB(36x34) FontB(36x68) FontB(36x136) FontB(72x68) FontB(72x136)
	FontA11[255] FontA12[255] FontA21[255] FontA22[255] FontA24[255] FontA42[255] FontA44[255] FontA48[255] FontA84[255] FontA88[255] FontB11[255] FontB12[255] FontB21[255] FontB22[255] FontB24[255] FontB42[255] FontB44[255] FontB48[255] FontB84[255] FontB88[255]	TM Page:255(Space page) TM font name, Character size(dot) FontA(12x24) FontA(12x48) FontA(24x24) FontA(24x48) FontA(24x96) FontA(48x48) FontA(48x96) FontA(48x192) FontA(96x96) FontA(96x192) FontB(9x17) FontB(9x34) FontB(18x17) FontB(18x34) FontB(18x68) FontB(36x34) FontB(36x68) FontB(36x136) FontB(72x68) FontB(72x136)
	FontA11[Ext.] FontA12[Ext.] FontA21[Ext.] FontA22[Ext.] FontA24[Ext.] FontA42[Ext.] FontA44[Ext.] FontA48[Ext.] FontA84[Ext.] FontA88[Ext.] FontB11[Ext.] FontB12[Ext.] FontB21[Ext.] FontB22[Ext.] FontB24[Ext.] FontB42[Ext.] FontB44[Ext.] FontB48[Ext.] FontB84[Ext.] FontB88[Ext.]	TM Page:0(IBM Extended character set) TM font name, Character size(dot) FontA(12x24) FontA(12x48) FontA(24x24) FontA(24x48) FontA(24x96) FontA(48x48) FontA(48x96) FontA(48x192) FontA(96x96) FontA(96x192) FontB(9x17) FontB(9x34) FontB(18x17) FontB(18x34) FontB(18x68) FontB(36x34) FontB(36x68) FontB(36x136) FontB(72x68) FontB(72x136)
Supported printer font name for bar code	Codabar Code39 ITF JAN13(EAN) JAN8(EAN) UPC-A UPC-E Code93 Code128	
Supported printer font name for Two-dimensional code	PDF417 QR Code Maxi Code	The maximum number of columns that can be input depends on the paper width below: 80mm:576 60mm:436 38mm:258

<b>EPSON</b>	TITLE	Revision	No	
	EPSON Advanced Printer Driver for TM series TM Printer Driver User's Manual	L	NEXT 31	SHEET 30

Supported printer font name for special function	control	Refer to 13. Appendix D: Support functions list by control fonts
Supported printer font name for Extended Special function	controlA	
Supported resolution	203 x 203 *Default	
Supported paper size	60 x 297mm 38 x 297mm WinNT/2000/XP only 80 x 297mm(203) 80 x 3276mm(203) 60 x 3276mm 38 x 3276mm Win95/98 only 80 x 297mm User-defined (32.3x25.4 to 72.2x3276 mm)	
Supported paper source	Report[No cut] Report[cut] Report[No Feed] Form[No cut] Form[cut]	For receipt paper without black mark.
	BM Single[Cut] BM Plural[Cut] BM Plural[No Cut]	For receipt paper with black mark.
Supported print Quality	Smoothing mode on Smoothing mode off	

If a BM Single[Cut] is specified, Paper feeding and paper cutting are executed per each Black mark. If a BM Plural[Cut] is specified, after all the pages are printed, paper feeding and paper cutting are executed at final Black mark. If a BM Plural[No Cut] is specified, paper feeding and paper cutting are not executed at all.

<b>EPSON</b>	TITLE EPSON Advanced Printer Driver for TM series TM Printer Driver User's Manual	Revision  L	No	
			NEXT 32	SHEET 31

### 10.3.2. Reduce35

	Specification	Remarks
Driver name	EPSON TM-L90 Reduce35	Version3.01
Supported Printer font name	Not Supported	
Supported printer font name for bar Code	Not Supported	
Supported printer font name for Special function	Not Supported	
Supported printer font name for Extended special function	Not Supported	
Supported resolution	62 x 62	
Supported paper size	Target 60mm Target 58mm WinNT/2000/XP only Target 80mm(70) 210 x 3276mm(70) Win95/98only Target 80mm User-Defined (93.6x25.4 to 210x3276 mm)	
Supported paper source	Report[No cut] Report[cut] Report[No Feed] Form[No cut] Form[cut]	
Supported print Quality	None	

<b>EPSON</b>	TITLE EPSON Advanced Printer Driver for TM series TM Printer Driver User's Manual	Revision  L	No	
			NEXT <b>33</b>	SHEET 32

### 10.3.3.Reverse

	Specification	Remarks
Driver name	EPSON TM-L90 Reverse	Version3.03
Supported Printer font name	Not Supported	
Supported printer font name for bar Code	Not Supported	
Supported printer font name for Special function	Not Supported	
Supported printer font name for Extended special function	Not Supported	
Supported resolution	203 x 203	
Supported paper size	80 x 297mm(203) 60 x 297mm 38 x 297mm(203) XX x YY (L90 Receipt Reverse) Win95/98only User-Defined (52.6x25.4 to 72.1x297 mm)	
Supported paper source	Form[No cut] Form[Cut] Form[No feed] BMPlural[No cut] BMPlural[Cut] BMSingle[Cut]	
Supported print Quality	None	

#### Notes on upside-down printing

- The driver enables to rotating the printing result 180 degrees to perform upside-down printing on each page. The maximum length of the page is 297mm.
- If XX x YY (TM-L90 Receipt Reverse) is selected for paper size, specify the number of dots for the printing area of the upside-down printing in the section of TMCTRL.INI below. Then the area for the upside-down printing can be set freely.  
  
(Default is the printing area for 80 mm width paper.)  
[TM-L90 Receipt Reverse]  
Width=576
- When the paper size XX x YY (TM-L90 Receipt Reverse) is selected and if there is no definition described in 1., use the value of the printer that has been already defined (the paper size selected from the printer property sheet) as the printing area to process the upside-down printing.
- Be sure that the paper size selected from the printer property sheet and the paper size selected by an application are the same. If they are different, horizontal and vertical lengths of printing paper might not be obtained correctly and the upside-down printing might not be done correctly.

<b>EPSON</b>	TITLE	Revision	No	
	EPSON Advanced Printer Driver for TM series TM Printer Driver User's Manual		L	NEXT
			<b>34</b>	33

### 10.3.4. Label

	Specification	Remarks
Driver name	EPSON TM-L90 Label	Version3.01
Supported Printer font name	FontA11 FontA12 FontA21 FontA22 FontA24 FontA42 FontA44 FontA48 FontA84 FontA88 FontB11 FontB12 FontB21 FontB22 FontB24 FontB42 FontB44 FontB48 FontB84 FontB88	TM Page:2 TM font name, Character size(dot) FontA(12x24) FontA(12x48) FontA(24x24) FontA(24x48) FontA(24x96) FontA(48x48) FontA(48x96) FontA(48x192) FontA(96x96) FontA(96x192) FontB(9x17) FontB(9x34) FontB(18x17) FontB(18x34) FontB(18x68) FontB(36x34) FontB(36x68) FontB(36x136) FontB(72x68) FontB(72x136)
	FontA11[255] FontA12[255] FontA21[255] FontA22[255] FontA24[255] FontA42[255] FontA44[255] FontA48[255] FontA84[255] FontA88[255] FontB11[255] FontB12[255] FontB21[255] FontB22[255] FontB24[255] FontB42[255] FontB44[255] FontB48[255] FontB84[255] FontB88[255]	TM Page:255(Space page) TM font name, Character size(dot) FontA(12x24) FontA(12x48) FontA(24x24) FontA(24x48) FontA(24x96) FontA(48x48) FontA(48x96) FontA(48x192) FontA(96x96) FontA(96x192) FontB(9x17) FontB(9x34) FontB(18x17) FontB(18x34) FontB(18x68) FontB(36x34) FontB(36x68) FontB(36x136) FontB(72x68) FontB(72x136)
	FontA11[Ext.] FontA12[Ext.] FontA21[Ext.] FontA22[Ext.] FontA24[Ext.] FontA42[Ext.] FontA44[Ext.] FontA48[Ext.] FontA84[Ext.] FontA88[Ext.] FontB11[Ext.] FontB12[Ext.] FontB21[Ext.] FontB22[Ext.] FontB24[Ext.] FontB42[Ext.] FontB44[Ext.] FontB48[Ext.] FontB84[Ext.] FontB88[Ext.]	TM Page:0(IBM Extended character set) TM font name, Character size(dot) FontA(12x24) FontA(12x48) FontA(24x24) FontA(24x48) FontA(24x96) FontA(48x48) FontA(48x96) FontA(48x192) FontA(96x96) FontA(96x192) FontB(9x17) FontB(9x34) FontB(18x17) FontB(18x34) FontB(18x68) FontB(36x34) FontB(36x68) FontB(36x136) FontB(72x68) FontB(72x136)
Supported printer font name for bar code	Codaber Code39 ITF JAN13(EAN) JAN8(EAN) UPC-A UPC-E Code93 -Code128	
Supported printer font name for Two-dimensional code	PDF417 QR Code Maxi Code	The maximum number of columns that can be input depends on the paper width below: 80mm:560 60mm:402 38mm:226
Supported printer font name for special function	control	Refer to 13. Appendix D: Support functions list by control fonts
Supported printer font name for Extended Special function	controlA	

Supported resolution	203 x 203 *Default	
Supported paper size	80 x 25.4mm 60 x 25.4mm 38 x 25.4mm 80 x 50.8mm 60 x 50.8mm 80 x 76.2mm 60 x 76.2mm 80 x 101.6mm 60 x 101.6mm Win95/98 only User-defined (28.3×25.4 to 70.1×101.6mm)	
Supported paper source	Plural [No cut] Plural [Cut] Single [cut]	
Supported print Quality	Smoothing mode on Smoothing mode off	

If a Single[Cut] is specified, Paper feeding and paper cutting are executed per each label. If a Plural[Cut] is specified, after all the pages are printed, paper feeding and paper cutting are executed at final label. If a Plural[No Cut] is specified, paper feeding and paper cutting are not executed at all.

<b>EPSON</b>	TITLE EPSON Advanced Printer Driver for TM series TM Printer Driver User's Manual	Revision  L	No	
			NEXT <b>36</b>	SHEET 35



### 10.3.5.Reverse

	Specification	Remarks
Driver name	EPSON TM-L90 Reverse	Version3.03
Supported Printer font name	Not Supported	
Supported printer font name for bar Code	Not Supported	
Supported printer font name for Special function	Not Supported	
Supported printer font name for Extended special function	Not Supported	
Supported resolution	203 x 203	
Supported paper size	80 x 25.4mm 80 x 50.8mm 80 x 76.2mm 80 x 101.6mm 60 x 25.4mm 60 x 50.8mm 60 x 76.2mm 60 x 101.6mm 38 x 25.4mm XX x YY (L90 Label Reverse)  Win95/98only User-Defined (28.3×22.4 to 70.1×98.6mmm)	
Supported paper source	Plural [Cut] Plural [No Cut] Single [Cut]	
Supported print Quality	None	

#### Notes on upside-down printing

- The driver enables to rotating the printing result 180 degrees to perform upside-down printing on each page. The maximum length of the page is 297mm.
- If XX x YY (TM-L90 Label Reverse) is selected for paper size, specify the number of dots for the printing area of the upside-down printing in the section of TMCTRL.INI below. Then the area for the upside-down printing can be set freely.

(Default is the printing area for 80 mm width paper.)

[TM-L90 Label Reverse]

Width=576

Height=788

- When the paper size XX x YY (TM-L90 Label Reverse) is selected and if there is no definition described in 1., use the value of the printer that has been already defined (the paper size selected from the printer property sheet) as the printing area to process the upside-down printing.
- Be sure that the paper size selected from the printer property sheet and the paper size selected by an application are the same. If they are different, horizontal and vertical lengths of printing paper might not be obtained correctly and the upside-down printing might not be done correctly.

<b>EPSON</b>	TITLE EPSON Advanced Printer Driver for TM series TM Printer Driver User's Manual	Revision  L	No	
			NEXT 37	SHEET 36

## 10.4. TM-L60II Printer Driver

### 10.4.1. Receipt

	Specification	Remarks
Driver name	EPSON TM-L60II Receipt	Version2.05
Supported Printer font name	FontA11 FontA12 FontA21 FontA22 FontA24 FontA42 FontA44 FontA48 FontA84 FontA88 FontB11 FontB12 FontB21 FontB22 FontB24 FontB42 FontB44 FontB48 FontB84 FontB88 ----- FontA11[255] FontA12[255] FontA21[255] FontA22[255] FontA24[255] FontA42[255] FontA44[255] FontA48[255] FontA84[255] FontA88[255] FontB11[255] FontB12[255] FontB21[255] FontB22[255] FontB24[255] FontB42[255] FontB44[255] FontB48[255] FontB84[255] FontB88[255] ----- FontA11[Ext.] FontA12[Ext.] FontA21[Ext.] FontA22[Ext.] FontA24[Ext.] FontA42[Ext.] FontA44[Ext.] FontA48[Ext.] FontA84[Ext.] FontA88[Ext.] FontB11[Ext.] FontB12[Ext.] FontB21[Ext.] FontB22[Ext.] FontB24[Ext.] FontB42[Ext.] FontB44[Ext.] FontB48[Ext.] FontB84[Ext.] FontB88[Ext.]	TM Page:2(ANSI character set) TM font name, Character size(dot) FontA(12x24) FontA(12x48) FontA(24x24) FontA(24x48) FontA(24x96) FontA(48x48) FontA(48x96) FontA(48x192) FontA(96x96) FontA(96x192) FontB(9x17) FontB(9x34) FontB(18x17) FontB(18x34) FontB(18x68) FontB(36x34) FontB(36x68) FontB(36x136) FontB(72x68) FontB(72x136) ----- TM Page:255(Space page) TM font name, Character size(dot) FontA(12x24) FontA(12x48) FontA(24x24) FontA(24x48) FontA(24x96) FontA(48x48) FontA(48x96) FontA(48x192) FontA(96x96) FontA(96x192) FontB(9x17) FontB(9x34) FontB(18x17) FontB(18x34) FontB(18x68) FontB(36x34) FontB(36x68) FontB(36x136) FontB(72x68) FontB(72x136) ----- TM Page:0(IBM Extended character set) TM font name, Character size(dot) FontA(12x24) FontA(12x48) FontA(24x24) FontA(24x48) FontA(24x96) FontA(48x48) FontA(48x96) FontA(48x192) FontA(96x96) FontA(96x192) FontB(9x17) FontB(9x34) FontB(18x17) FontB(18x34) FontB(18x68) FontB(36x34) FontB(36x68) FontB(36x136) FontB(72x68) FontB(72x136)
Supported printer font name for bar code	Codaber Code39 ITF JAN13(EAN) JAN8(EAN) UPC-A UPC-E Code93 Code128	
Supported printer font name for special function	control	Refer to 13. Appendix D: Support functions list by control fonts
Supported printer font name for Extended Special function	controlA	
Supported resolution	180 x 180 90 x 180 180 x 60 90 x 60	

<b>EPSON</b>	TITLE	Revision	No	
	EPSON Advanced Printer Driver for TM series TM Printer Driver User's Manual	L	NEXT	SHEET
			38	37

Supported paper size	60(54.1) x 297mm WinNT/2000/XP only 60(54.1) x Win95/98 only User-defined (54.2x25.4 to 54.2x3276 mm)	
Supported paper source	Report[No cut] Report[No feed] Form[No cut]	
Supported print Quality	Smoothing mode on Smoothing mode off	

<b>EPSON</b>	TITLE EPSON Advanced Printer Driver for TM series TM Printer Driver User's Manual	Revision  L	No	
			NEXT <b>39</b>	SHEET 38

### 10.4.2.Label

	Specification	Remarks
Driver name	EPSON TM-L60II Label	Version2.05
Supported Printer font name	FontA11 FontA12 FontA21 FontA22 FontA24 FontA42 FontA44 FontA48 FontA84 FontA88 FontB11 FontB12 FontB21 FontB22 FontB24 FontB42 FontB44 FontB48 FontB84 FontB88	TM Page:2(ANSI character set) TM font name, Character size(dot) FontA(12x24) FontA(12x48) FontA(24x24) FontA(24x48) FontA(24x96) FontA(48x48) FontA(48x96) FontA(48x192) FontA(96x96) FontA(96x192) FontB(9x17) FontB(9x34) FontB(18x17) FontB(18x34) FontB(18x68) FontB(36x34) FontB(36x68) FontB(36x136) FontB(72x68) FontB(72x136)
	FontA11[255] FontA12[255] FontA21[255] FontA22[255] FontA24[255] FontA42[255] FontA44[255] FontA48[255] FontA84[255] FontA88[255] FontB11[255] FontB12[255] FontB21[255] FontB22[255] FontB24[255] FontB42[255] FontB44[255] FontB48[255] FontB84[255] FontB88[255]	TM Page:255(Space page) TM font name, Character size(dot) FontA(12x24) FontA(12x48) FontA(24x24) FontA(24x48) FontA(24x96) FontA(48x48) FontA(48x96) FontA(48x192) FontA(96x96) FontA(96x192) FontB(9x17) FontB(9x34) FontB(18x17) FontB(18x34) FontB(18x68) FontB(36x34) FontB(36x68) FontB(36x136) FontB(72x68) FontB(72x136)
	FontA11[Ext.] FontA12[Ext.] FontA21[Ext.] FontA22[Ext.] FontA24[Ext.] FontA42[Ext.] FontA44[Ext.] FontA48[Ext.] FontA84[Ext.] FontA88[Ext.] FontB11[Ext.] FontB12[Ext.] FontB21[Ext.] FontB22[Ext.] FontB24[Ext.] FontB42[Ext.] FontB44[Ext.] FontB48[Ext.] FontB84[Ext.] FontB88[Ext.]	TM Page:0(IBM Extended character set) TM font name, Character size(dot) FontA(12x24) FontA(12x48) FontA(24x24) FontA(24x48) FontA(24x96) FontA(48x48) FontA(48x96) FontA(48x192) FontA(96x96) FontA(96x192) FontB(9x17) FontB(9x34) FontB(18x17) FontB(18x34) FontB(18x68) FontB(36x34) FontB(36x68) FontB(36x136) FontB(72x68) FontB(72x136)
Supported printer font name for bar code	Codaber Code39 ITF JAN13(EAN) JAN8(EAN) UPC-A UPC-E Code93 Code128	
Supported printer font name for special function	control	Refer to 13. Appendix D: Support functions list by control fonts
Supported printer font name for Extended Special function	controlA	
Supported resolution	180 x 180 90 x 180 180 x 60 90 x 60	

<b>EPSON</b>	TITLE	Revision	No	
	EPSON Advanced Printer Driver for TM series TM Printer Driver User's Manual	L	NEXT	SHEET
			40	39

Supported paper size	60(51.9) x 25.4mm 60(51.9) x 50.8mm 60(51.9) x 76.2mm 60(51.9) x 101.6mm Win95/98 only User-defined (51.9x22.4 to 51.9x98.6 mm)	
Supported paper source	Plural[No Cut] Single[No Cut]	
Supported print Quality	Smoothing mode on Smoothing mode off	

(\*1) When printing is done for more than one page, the operations depend on whether Plural [No cut] or Single [No cut] is chosen. For Plural [No cut] the following three steps are performed once after all the pages have been printed. For Single [No cut] the following three steps are performed after each page is printed.

- 1) The label on which printing has been finished is fed to the position where the label can be peeled off by hand.
- 2) The PAPER LED blinks and the printer waits for the FEED button to be pressed.
- 3) When the FEED button is pressed, the label is fed to the next printing position.

<b>EPSON</b>	TITLE EPSON Advanced Printer Driver for TM series TM Printer Driver User's Manual	Revision  L	No	
			NEXT 41	SHEET 40

# TM-H5000II Printer Driver

## 10.4.3. Receipt

	Specification	Remarks
Driver name	EPSON TM-H5000II Receipt	Version2.03
Supported Printer font name	FontA11-FontA12 FontA21-FontA22 FontA24-FontA42 FontA44-FontA48 FontA84-FontA88 FontB11-FontB12 FontB21-FontB22 FontB24-FontB42 FontB44-FontB48 FontB84-FontB88	TM Page:2(ANSI character set) TM font name, Character size(dot) FontA(12x24) FontA(12x48) FontA(24x24) FontA(24x48) FontA(24x96) FontA(48x48) FontA(48x96) FontA(48x192) FontA(96x96) FontA(96x192) FontB(9x17) FontB(9x34) FontB(18x17) FontB(18x34) FontB(18x68) FontB(36x34) FontB(36x68) FontB(36x136) FontB(72x68) FontB(72x136)
	FontA11[255] -FontA12[255] FontA21[255] -FontA22[255] FontA24[255] -FontA42[255] FontA44[255] -FontA48[255] FontA84[255] -FontA88[255] FontB11[255] -FontB12[255] FontB21[255] -FontB22[255] FontB24[255] -FontB42[255] FontB44[255] -FontB48[255] FontB84[255] -FontB88[255]	TM Page:255(Space page) TM font name, Character size(dot) FontA(12x24) FontA(12x48) FontA(24x24) FontA(24x48) FontA(24x96) FontA(48x48) FontA(48x96) FontA(48x192) FontA(96x96) FontA(96x192) FontB(9x17) FontB(9x34) FontB(18x17) FontB(18x34) FontB(18x68) FontB(36x34) FontB(36x68) FontB(36x136) FontB(72x68) FontB(72x136)
	FontA11[Ext.] -FontA12[Ext.] FontA21[Ext.] -FontA22[Ext.] FontA24[Ext.] -FontA42[Ext.] FontA44[Ext.] -FontA48[Ext.] FontA84[Ext.] -FontA88[Ext.] FontB11[Ext.] -FontB12[Ext.] FontB21[Ext.] -FontB22[Ext.] FontB24[Ext.] -FontB42[Ext.] FontB44[Ext.] -FontB48[Ext.] FontB84[Ext.] -FontB88[Ext.]	TM Page:0(IBM Extended character set) TM font name, Character size(dot) FontA(12x24) FontA(12x48) FontA(24x24) FontA(24x48) FontA(24x96) FontA(48x48) FontA(48x96) FontA(48x192) FontA(96x96) FontA(96x192) FontB(9x17) FontB(9x34) FontB(18x17) FontB(18x34) FontB(18x68) FontB(36x34) FontB(36x68) FontB(36x136) FontB(72x68) FontB(72x136)
Supported printer font name for bar code	Codaber -Code39 ITF -JAN13(EAN) JAN8(EAN) -UPC-A UPC-E -Code93 Code128	
Supported printer font name for Special function	control	Refer to 13. Appendix D: Support functions list by control fonts
Supported printer font name for Extended special function	controlA	

Supported resolution	180 x 180*Default 180 x 90 90 x 180 90 x 90	
Supported paper size	80 x 297mm WinNT/2000/XP only 80 x 3275mm Win95/98 only User-Defined (72.2x25.4 to 80x3276 mm)	
Supported paper source	Report[No cut] Report[Partial cut] Report[No Feed] Form[No cut] Form[Partial cut]	
Supported print Quality	Smoothing mode on Smoothing mode off	

<b>EPSON</b>	TITLE EPSON Advanced Printer Driver for TM series TM Printer Driver User's Manual	Revision  L	No	
			NEXT 43	SHEET 42

#### 10.4.4. Reduce35

	Specification	Remarks
Driver name	EPSON TM-H5000II Reduce35	Version2.01
Supported Printer font name	Not Supported	
Supported printer font name for bar code	Not Supported	
Supported printer font name for Special function	Not Supported	
Supported printer font name for Extended special function	Not Supported	
Supported resolution	62 x 62	
Supported paper size	Target 80mm WinNT/2000/XP Only 210 x 3276mm Win95/98 Only User-Defined (210x25.4 to 210x3276 mm)	
Supported paper source	Report[No cut] Report[Partial cut] Report[No Feed] Form[No cut] Form[Partial cut]	
Supported print Quality	None	

<b>EPSON</b>	TITLE EPSON Advanced Printer Driver for TM series TM Printer Driver User's Manual	Revision  L	No	
			NEXT 44	SHEET 43



### 10.4.5. Slip

	Specification	Remarks
Driver name	EPSON TM-H5000II Slip	Version2.03
Supported Printer font name	FontA11-FontA12 FontA21-FontA22 FontB11-FontB12 FontB21-FontB22	TM Page:2(ANSI character set) TM font name, Character size(dot) FontA(9x9) FontA(9x18) FontA(18x9) FontA(18x18) FontB(7x9) FontB(7x18) FontB(14x9) FontB(14x18)
	FontA11[255] -FontA12[255] FontA21[255] -FontA22[255] FontB11[255] -FontB12[255] FontB21[255] -FontB22[255]	TM Page:255(Space page) TM font name, Character size(dot) FontA(9x9) FontA(9x18) FontA(18x9) FontA(18x18) FontB(7x9) FontB(7x18) FontB(14x9) FontB(14x18)
	FontA11[Ext.] -FontA12[Ext.] FontA21[Ext.] -FontA22[Ext.] FontB11[Ext.] -FontB12[Ext.] FontB21[Ext.] -FontB22[Ext.]	TM Page:0(IBM Extended character set) TM font name, Character size(dot) FontA(9x9) FontA(9x18) FontA(18x9) FontA(18x18) FontB(7x9) FontB(7x18) FontB(14x9) FontB(14x18)
Supported printer font name for bar code	None	
Supported printer font name for Special function	control	Refer to 13. Appendix D: Support functions list by control fonts
Supported printer font name for Extended Special function	controlA	
Supported resolution	150 x 72 *Default 75 x 72	
Supported paper size	135.6 x 257mm Win95/98 Only User-Defined (135.5 x 30 to 135.5 x 257.2mm)	
Supported paper source	Slip	
Supported print Quality	None	

## 10.5.TM-U590 Printer Driver

### 10.5.1.Slip

	Specification	Remarks
Driver name	EPSON TM-U590 Slip	Version2.03
Supported Printer font name	FontA11-FontA12 FontA21-FontA22 FontB11-FontB12 FontB21-FontB22	TM Page:2(ANSI character set) TM font name, Character size(dot) FontA(9x9) FontA(9x18) FontA(18x9) FontA(18x18) FontB(7x9) FontB(7x18) FontB(14x9) FontB(14x18)
	FontA11[255] -FontA12[255] FontA21[255] -FontA22[255] FontB11[255] -FontB12[255] FontB21[255] -FontB22[255]	TM Page:255(Space page) TM font name, Character size(dot) FontA(9x9) FontA(9x18) FontA(18x9) FontA(18x18) FontB(7x9) FontB(7x18) FontB(14x9) FontB(14x18)
	FontA11[Ext.] -FontA12[Ext.] FontA21[Ext.] -FontA22[Ext.] FontB11[Ext.] -FontB12[Ext.] FontB21[Ext.] -FontB22[Ext.]	TM Page:0(IBM Extended character set) TM font name, Character size(dot) FontA(9x9) FontA(9x18) FontA(18x9) FontA(18x18) FontB(7x9) FontB(7x18) FontB(14x9) FontB(14x18)
Supported printer font name for bar code	None	
Supported printer font name for Special function	control	Refer to 13. Appendix D: Support functions list by control fonts
Supported printer font name for Extended Special function	controlA	
Supported resolution	150 x 72 *Default 75 x 72	
Supported paper size	135.6 x 257mm Win95/98 Only User-Defined (135.5 x 30 to 135.5 x 257.2mm)	
Supported paper source	Slip	
Supported print Quality	None	

<b>EPSON</b>	TITLE	Revision	No	
	EPSON Advanced Printer Driver for TM series TM Printer Driver User's Manual	L	NEXT	SHEET
			46	45

## 10.6.TM-H6000 Printer Driver

### 10.6.1. Receipt

	Specification	Remarks
Driver name	EPSON TM-H6000 Receipt	Version2.03
Supported Printer font name	FontA11-FontA12 FontA21-FontA22 FontA24-FontA42 FontA44-FontA48 FontA84-FontA88 FontB11-FontB12 FontB21-FontB22 FontB24-FontB42 FontB44-FontB48 FontB84-FontB88	TM Page:16(WPC1252) TM font name, Character size(dot) FontA(12x24) FontA(12x48) FontA(24x24) FontA(24x48) FontA(24x96) FontA(48x48) FontA(48x96) FontA(48x192) FontA(96x96) FontA(96x192) FontB(9x17) FontB(9x34) FontB(18x17) FontB(18x34) FontB(18x68) FontB(36x34) FontB(36x68) FontB(36x136) FontB(72x68) FontB(72x136)
	FontA11[255] -FontA12[255] FontA21[255] -FontA22[255] FontA24[255] -FontA42[255] FontA44[255] -FontA48[255] FontA84[255] -FontA88[255] FontB11[255] -FontB12[255] FontB21[255] -FontB22[255] FontB24[255] -FontB42[255] FontB44[255] -FontB48[255] FontB84[255] -FontB88[255]	TM Page:255(Space page) TM font name, Character size(dot) FontA(12x24) FontA(12x48) FontA(24x24) FontA(24x48) FontA(24x96) FontA(48x48) FontA(48x96) FontA(48x192) FontA(96x96) FontA(96x192) FontB(9x17) FontB(9x34) FontB(18x17) FontB(18x34) FontB(18x68) FontB(36x34) FontB(36x68) FontB(36x136) FontB(72x68) FontB(72x136)
	FontA11[Ext.] -FontA12[Ext.] FontA21[Ext.] -FontA22[Ext.] FontA24[Ext.] -FontA42[Ext.] FontA44[Ext.] -FontA48[Ext.] FontA84[Ext.] -FontA88[Ext.] FontB11[Ext.] -FontB12[Ext.] FontB21[Ext.] -FontB22[Ext.] FontB24[Ext.] -FontB42[Ext.] FontB44[Ext.] -FontB48[Ext.] FontB84[Ext.] -FontB88[Ext.]	TM Page:0(IBM Extended character set) TM font name, Character size(dot) FontA(12x24) FontA(12x48) FontA(24x24) FontA(24x48) FontA(24x96) FontA(48x48) FontA(48x96) FontA(48x192) FontA(96x96) FontA(96x192) FontB(9x17) FontB(9x34) FontB(18x17) FontB(18x34) FontB(18x68) FontB(36x34) FontB(36x68) FontB(36x136) FontB(72x68) FontB(72x136)
Supported printer font name for bar code	Codaber -Code39 ITF -JAN13(EAN) JAN8(EAN) -UPC-A UPC-E -Code93 -Code128	
Supported printer font name for Special function	control	Refer to 13. Appendix D: Support functions list by control fonts
Supported printer font name for Extended Special function	controlA	

<b>EPSON</b>	TITLE	Revision	No	
	EPSON Advanced Printer Driver for TM series TM Printer Driver User's Manual	L	NEXT	SHEET
			47	46

Supported resolution	180x180 *Default 180x90 90x180 90x90	
Supported paper size	80 x 297mm 58 x 297mm WinNT/2000/XP Only 80 x 3275mm 58 x 3275mm Win95/98 Only User-Defined (50.8x25.4 to 80x3276 mm)	
Supported paper source	Report[No cut] Report[Partial cut] Report[No Feed] Form[No cut] Form[Partial cut]	
Supported print Quality	Smoothing mode on Smoothing mode off	

<b>EPSON</b>	TITLE EPSON Advanced Printer Driver for TM series TM Printer Driver User's Manual	Revision  L	No	
			NEXT 48	SHEET 47

### 10.6.2. Reduce35

	Specification	Remarks
Driver name	EPSON TM-H6000 Reduce35	Version2.01
Supported Printer font name	Not Supported	
Supported printer font name for barcode	Not Supported	
Supported printer font name for Special function	Not Supported	
Supported printer font name for Extended Special function	Not Supported	
Supported resolution	62 x 62	
Supported paper size	Target 80mm Target 58mm WinNT/2000/XP Only 210x3276mm Win95/98 Only User-Defined (147x25.4 to 210x3276 mm)	
Supported paper source	Report[No cut] Report[Partial cut] Report[No Feed] Form[No cut] Form[Partial cut]	
Supported print Quality	None	

<b>EPSON</b>	TITLE EPSON Advanced Printer Driver for TM series TM Printer Driver User's Manual	Revision  L	No	
			NEXT 49	SHEET 48

### 10.6.3. Slip

	Specification	Remarks
Driver name	EPSON TM-H6000 Slip	Version2.03
Supported Printer font name	FontA11-FontA12 FontA21-FontA22 FontB11-FontB12 FontB21-FontB22	TM Page:16(WPC1252) TM font name, Character size(dot) FontA(9x9) FontA(9x18) FontA(18x9) FontA(18x18) FontB(7x9) FontB(7x18) FontB(14x9) FontB(14x18)
	FontA11[254] -FontA12[254] FontA21[254] -FontA22[254] FontB11[254] -FontB12[254] FontB21[254] -FontB22[254]	TM Page:254(Space page) TM font name, Character size(dot) FontA(9x9) FontA(9x18) FontA(18x9) FontA(18x18) FontB(7x9) FontB(7x18) FontB(14x9) FontB(14x18)
	FontA11[255] -FontA12[255] FontA21[255] -FontA22[255] FontB11[255] -FontB12[255] FontB21[255] -FontB22[255]	TM Page:255(Space page) TM font name, Character size(dot) FontA(9x9) FontA(9x18) FontA(18x9) FontA(18x18) FontB(7x9) FontB(7x18) FontB(14x9) FontB(14x18)
	FontA11[Ext.] -FontA12[Ext.] FontA21[Ext.] -FontA22[Ext.] FontB11[Ext.] -FontB12[Ext.] FontB21[Ext.] -FontB22[Ext.]	TM Page:0(IBM Extended character set) TM font name, Character size(dot) FontA(9x9) FontA(9x18) FontA(18x9) FontA(18x18) FontB(7x9) FontB(7x18) FontB(14x9) FontB(14x18)
Supported printer font name for bar code	None	
Supported printer font name for Special function	control	Refer to 13. Appendix D: Support functions list by control fonts
Supported printer font name for Extended special function	controlA	
Supported resolution	160 x 72 *Default 80 x 72	
Supported paper size	85.7 x 274mm Win95/98 Only User-Defined (85.7x127 to 85.7x274 mm)	
Supported paper source	Slip	
Supported print Quality	None	

#### 10.6.4. Endorse

	Specification	Remarks
Driver name	EPSON TM-H6000 Endorse	Version2.03
Supported Printer font name	FontA11	TM Page:16(WPC1252) TM font name, Character size(dot) FontA(5x7)
	FontA11[255]	TM Page:255(Space page) TM font name, Character size(dot) FontA(5x7)
	FontA11[Ext.]	TM Page:0(IBM Extended character set) TM font name, Character size(dot) FontA(5x7)
Supported printer font name for bar code	None	
Supported printer font name for Special function	control	Refer to 13. Appendix D: Support functions list by control fonts
Supported printer font name for Extended Special function	controlA	
Supported resolution	127 x 72 *Default	
Supported paper size	48 x 274mm Win95/98 only User-Defined (48x126.6 to 48x274 mm)	
Supported paper source	Endorse	
Supported print Quality	None	

## 10.7.TM-H6000II Printer Driver

### 10.7.1. Receipt

	Specification	Remarks
Driver name	EPSON TM-H6000II Receipt	Version3.02
Supported Printer font name	FontA11-FontA12 FontA21-FontA22 FontA24-FontA42 FontA44-FontA48 FontA84-FontA88 FontB11-FontB12 FontB21-FontB22 FontB24-FontB42 FontB44-FontB48 FontB84-FontB88	TM Page:16(WPC1252) TM font name, Character size(dot) FontA(12x24) FontA(12x48) FontA(24x24) FontA(24x48) FontA(24x96) FontA(48x48) FontA(48x96) FontA(48x192) FontA(96x96) FontA(96x192) FontB(9x17) FontB(9x34) FontB(18x17) FontB(18x34) FontB(18x68) FontB(36x34) FontB(36x68) FontB(36x136) FontB(72x68) FontB(72x136)
	FontA11[255] -FontA12[255] FontA21[255] -FontA22[255] FontA24[255] -FontA42[255] FontA44[255] -FontA48[255] FontA84[255] -FontA88[255] FontB11[255] -FontB12[255] FontB21[255] -FontB22[255] FontB24[255] -FontB42[255] FontB44[255] -FontB48[255] FontB84[255] -FontB88[255]	TM Page:255(Space page) TM font name, Character size(dot) FontA(12x24) FontA(12x48) FontA(24x24) FontA(24x48) FontA(24x96) FontA(48x48) FontA(48x96) FontA(48x192) FontA(96x96) FontA(96x192) FontB(9x17) FontB(9x34) FontB(18x17) FontB(18x34) FontB(18x68) FontB(36x34) FontB(36x68) FontB(36x136) FontB(72x68) FontB(72x136)
	FontA11[Ext.] -FontA12[Ext.] FontA21[Ext.] -FontA22[Ext.] FontA24[Ext.] -FontA42[Ext.] FontA44[Ext.] -FontA48[Ext.] FontA84[Ext.] -FontA88[Ext.] FontB11[Ext.] -FontB12[Ext.] FontB21[Ext.] -FontB22[Ext.] FontB24[Ext.] -FontB42[Ext.] FontB44[Ext.] -FontB48[Ext.] FontB84[Ext.] -FontB88[Ext.]	TM Page:0(IBM Extended character set) TM font name, Character size(dot) FontA(12x24) FontA(12x48) FontA(24x24) FontA(24x48) FontA(24x96) FontA(48x48) FontA(48x96) FontA(48x192) FontA(96x96) FontA(96x192) FontB(9x17) FontB(9x34) FontB(18x17) FontB(18x34) FontB(18x68) FontB(36x34) FontB(36x68) FontB(36x136) FontB(72x68) FontB(72x136)
Supported printer font name for bar code	Codaber -Code39 ITF -JAN13(EAN) JAN8(EAN) -UPC-A UPC-E -Code93 -Code128	
Supported printer font name for Two-dimensional code	PDF417	
Supported printer font name for Special function	control	Refer to 13. Appendix D: Support functions list by control fonts

<b>EPSON</b>	TITLE	Revision	No	
	EPSON Advanced Printer Driver for TM series TM Printer Driver User's Manual	L	NEXT	SHEET
			52	51



Supported printer font name for Extended Special function	controlA	
Supported resolution	180x180 *Default	
Supported paper size	80 x 297mm 58 x 297mm WinNT/2000/XP Only 80 x 3275mm 58 x 3275mm Win95/98 Only User-Defined (50.8x25.4 to 72.2x3276 mm)	
Supported paper source	Report[No cut] Report[Partial cut] Report[No Feed] Form[No cut] Form[Partial cut]	
Supported print Quality	Smoothing mode on Smoothing mode off	

<b>EPSON</b>	TITLE EPSON Advanced Printer Driver for TM series TM Printer Driver User's Manual	Revision  L	No	
			NEXT <b>53</b>	SHEET 52

### 10.7.2. Reduce35

	Specification	Remarks
Driver name	EPSON TM-H6000II Reduce35	Version3.02
Supported Printer font name	Not Supported	
Supported printer font name for bar code	Not Supported	
Supported printer font name for Special function	Not Supported	
Supported printer font name for Extended Special function	Not Supported	
Supported resolution	62 x 62	
Supported paper size	Target 80mm Target 58mm WinNT/2000/XP Only 210x3276mm 147x3276mm Win95/98 Only User-Defined (147x25.4 to 210x3276 mm)	
Supported paper source	Report[No cut] Report[Partial cut] Report[No Feed] Form[No cut] Form[Partial cut]	
Supported print Quality	None	

<b>EPSON</b>	TITLE EPSON Advanced Printer Driver for TM series TM Printer Driver User's Manual	Revision  L	No	
			NEXT <b>54</b>	SHEET 53

### 10.7.3. Slip

	Specification	Remarks
Driver name	EPSON TM-H6000II Slip	Version2.03
Supported Printer font name	FontA11-FontA12 FontA21-FontA22 FontB11-FontB12 FontB21-FontB22	TM Page:16(WPC1252) TM font name, Character size(dot) FontA(9x9) FontA(9x18) FontA(18x9) FontA(18x18) FontB(7x9) FontB(7x18) FontB(14x9) FontB(14x18)
	FontA11[254] -FontA12[254] FontA21[254] -FontA22[254] FontB11[254] -FontB12[254] FontB21[254] -FontB22[254]	TM Page:254(Space page) TM font name, Character size(dot) FontA(9x9) FontA(9x18) FontA(18x9) FontA(18x18) FontB(7x9) FontB(7x18) FontB(14x9) FontB(14x18)
	FontA11[255] -FontA12[255] FontA21[255] -FontA22[255] FontB11[255] -FontB12[255] FontB21[255] -FontB22[255]	TM Page:255(Space page) TM font name, Character size(dot) FontA(9x9) FontA(9x18) FontA(18x9) FontA(18x18) FontB(7x9) FontB(7x18) FontB(14x9) FontB(14x18)
	FontA11[Ext.] -FontA12[Ext.] FontA21[Ext.] -FontA22[Ext.] FontB11[Ext.] -FontB12[Ext.] FontB21[Ext.] -FontB22[Ext.]	TM Page:0(IBM Extended character set) TM font name, Character size(dot) FontA(9x9) FontA(9x18) FontA(18x9) FontA(18x18) FontB(7x9) FontB(7x18) FontB(14x9) FontB(14x18)
Supported printer font name for bar code	None	
Supported printer font name for Special function	control	Refer to 13. Appendix D: Support functions list by control fonts
Supported printer font name for Extended Special function	controlA	
Supported resolution	160 x 72 *Default 80 x 72	
Supported paper size	85.7 x 274mm Win95/98 Only User-Defined (85.7x127 to 85.7x274 mm)	
Supported paper source	Slip Slip[No feed]	
Supported print Quality	None	

#### 10.7.4. Endorse

	Specification	Remarks
Driver name	EPSON TM-H6000II Endorse	Version2.03
Supported Printer font name	FontA11	TM Page:16(WPC1252) TM font name, Character size(dot) FontA(5x7)
	FontA11[255]	TM Page:255(Space page) TM font name, Character size(dot) FontA(5x7)
	FontA11[Ext.]	TM Page:0(IBM Extended character set) TM font name, Character size(dot) FontA(5x7)
Supported printer font name for bar code	None	
Supported printer font name for Special function	control	Refer to 13. Appendix D: Support functions list by control fonts
Supported printer font name for Extended Special function	controlA	
Supported resolution	127 x 72 *Default	
Supported paper size	48 x 274mm Win95/98 only User-Defined (48x126.6 to 48x274 mm)	
Supported paper source	Endorse	
Supported print Quality	None	

## 10.8. TM-U675 Printer Driver

### 10.8.1. Receipt

	Specification	Remarks
Driver name	EPSON TM-U675 Receipt	Version2.03
Supported Printer font name	FontA11-FontA12 FontA21-FontA22 FontB11-FontB12 FontB21-FontB22	TM Page:16(WPC1252) TM font name, Character size(dot) FontA(9x9) FontA(9x18) FontA(18x9) FontA(18x18) FontB(7x9) FontB(7x18) FontB(14x9) FontB(14x18)
	FontA11[254] -FontA12[254] FontA21[254] -FontA22[254] FontB11[254] -FontB12[254] FontB21[254] -FontB22[254]	TM Page:254(Space page) TM font name, Character size(dot) FontA(9x9) FontA(9x18) FontA(18x9) FontA(18x18) FontB(7x9) FontB(7x18) FontB(14x9) FontB(14x18)
	FontA11[255] -FontA12[255] FontA21[255] -FontA22[255] FontB11[255] -FontB12[255] FontB21[255] -FontB22[255]	TM Page:255(Space page) TM font name, Character size(dot) FontA(9x9) FontA(9x18) FontA(18x9) FontA(18x18) FontB(7x9) FontB(7x18) FontB(14x9) FontB(14x18)
	FontA11[Ext.] -FontA12[Ext.] FontA21[Ext.] -FontA22[Ext.] FontB11[Ext.] -FontB12[Ext.] FontB21[Ext.] -FontB22[Ext.]	TM Page:0(IBM Extended character set) TM font name, Character size(dot) FontA(9x9) FontA(9x18) FontA(18x9) FontA(18x18) FontB(7x9) FontB(7x18) FontB(14x9) FontB(14x18)
Supported printer font name for bar code	None	
Supported printer font name for Special function	control	Refer to 13. Appendix D: Support functions list by control fonts
Supported printer font name for Extended special function	controlA	
Supported resolution	160 x 72 *Default 80 x 72	
Supported paper size	76 x 297mm 82.5 x 297mm WinNT/2000/XP Only 76 x 3275mm 82.5 x 3275mm Win95/98 Only User-Defined (63.5x25.4 to 82.5x3276 mm)	
Supported paper source	Report[No cut] Report[Partial cut] Report[No Feed] Form[No cut] Form[Partial cut]	
Supported print Quality	None	

<b>EPSON</b>	TITLE	Revision	No	
	EPSON Advanced Printer Driver for TM series TM Printer Driver User's Manual	L	NEXT	SHEET
			57	56

### 10.8.2. Slip

	Specification	Remarks
Driver name	EPSON TM-U675 Slip	Version2.02
Supported Printer font name	FontA11-FontA12 FontA21-FontA22 FontB11-FontB12 FontB21-FontB22	TM Page:16(WPC1252) TM font name, Character size(dot) FontA(9x9) FontA(9x18) FontA(18x9) FontA(18x18) FontB(7x9) FontB(7x18) FontB(14x9) FontB(14x18)
	FontA11[254] -FontA12[254] FontA21[254] -FontA22[254] FontB11[254] -FontB12[254] FontB21[254] -FontB22[254]	TM Page:254(Space page) TM font name, Character size(dot) FontA(9x9) FontA(9x18) FontA(18x9) FontA(18x18) FontB(7x9) FontB(7x18) FontB(14x9) FontB(14x18)
	FontA11[255] -FontA12[255] FontA21[255] -FontA22[255] FontB11[255] -FontB12[255] FontB21[255] -FontB22[255]	TM Page:255(Space page) TM font name, Character size(dot) FontA(9x9) FontA(9x18) FontA(18x9) FontA(18x18) FontB(7x9) FontB(7x18) FontB(14x9) FontB(14x18)
	FontA11[Ext.] -FontA12[Ext.] FontA21[Ext.] -FontA22[Ext.] FontB11[Ext.] -FontB12[Ext.] FontB21[Ext.] -FontB22[Ext.]	TM Page:0(IBM Extended character set) TM font name, Character size(dot) FontA(9x9) FontA(9x18) FontA(18x9) FontA(18x18) FontB(7x9) FontB(7x18) FontB(14x9) FontB(14x18)
Supported printer font name for bar code	None	
Supported printer font name for Special function	control	Refer to 13. Appendix D: Support functions list by control fonts
Supported printer font name for Extended Special function	controlA	
Supported resolution	160 x 72 *Default 80 x 72	
Supported paper size	85.7 x 274mm Win95/98 Only User-Defined (85.7x127 to 85.7x274 mm)	
Supported paper source	Slip	
Supported print Quality	None	

### 10.8.3. Validation

	Specification	Remarks
Driver name	EPSON TM-U675 Validation	Version2.02
Supported Printer font name	FontA11-FontA12 FontA21-FontA22 FontB11-FontB12 FontB21-FontB22	TM Page:16(WPC1252) TM font name, Character size(dot) FontA(9x9) FontA(9x18) FontA(18x9) FontA(18x18) FontB(7x9) FontB(7x18) FontB(14x9) FontB(14x18)
	FontA11[254] -FontA12[254] FontA21[254] -FontA22[254] FontB11[254] -FontB12[254] FontB21[254] -FontB22[254]	TM Page:254(Space page) TM font name, Character size(dot) FontA(9x9) FontA(9x18) FontA(18x9) FontA(18x18) FontB(7x9) FontB(7x18) FontB(14x9) FontB(14x18)
	FontA11[255] -FontA12[255] FontA21[255] -FontA22[255] FontB11[255] -FontB12[255] FontB21[255] -FontB22[255]	TM Page:255(Space page) TM font name, Character size(dot) FontA(9x9) FontA(9x18) FontA(18x9) FontA(18x18) FontB(7x9) FontB(7x18) FontB(14x9) FontB(14x18)
	FontA11[Ext.] -FontA12[Ext.] FontA21[Ext.] -FontA22[Ext.] FontB11[Ext.] -FontB12[Ext.] FontB21[Ext.] -FontB22[Ext.]	TM Page:0(IBM Extended character set) TM font name, Character size(dot) FontA(9x9) FontA(9x18) FontA(18x9) FontA(18x18) FontB(7x9) FontB(7x18) FontB(14x9) FontB(14x18)
Supported printer font name for bar code	None	
Supported printer font name for Special function	control	Refer to 13. Appendix D: Support functions list by control fonts
Supported printer font name for Extended Special function	controlA	
Supported resolution	160 x 72 *Default 80 x 72	
Supported paper size	85.7 x 28.2mm Win95/98 Only User-Defined (85.7x28.2 to 85.7x28.2 mm)	
Supported paper source	Validation	
Supported print Quality	None	

## 10.9.TM-U950 Printer Driver

### 10.9.1. Receipt

	Specification	Remarks
Driver name	EPSON TM-U950 Receipt	Version2.04
Supported Printer font name	FontA11-FontA12 FontA21-FontA22 FontB11-FontB12 FontB21-FontB22	TM Page:2(ANSI character set) TM font name, Character size(dot) FontA(9x9) FontA(9x18) FontA(18x9) FontA(18x18) FontB(7x9) FontB(7x18) FontB(14x9) FontB(14x18)
	FontA11[254] -FontA12[254] FontA21[254] -FontA22[254] FontB11[254] -FontB12[254] FontB21[254] -FontB22[254]	TM Page:254(Space page) TM font name, Character size(dot) FontA(9x9) FontA(9x18) FontA(18x9) FontA(18x18) FontB(7x9) FontB(7x18) FontB(14x9) FontB(14x18)
	FontA11[255] -FontA12[255] FontA21[255] -FontA22[255] FontB11[255] -FontB12[255] FontB21[255] -FontB22[255]	TM Page:255(Space page) TM font name, Character size(dot) FontA(9x9) FontA(9x18) FontA(18x9) FontA(18x18) FontB(7x9) FontB(7x18) FontB(14x9) FontB(14x18)
	FontA11[Ext.] -FontA12[Ext.] FontA21[Ext.] -FontA22[Ext.] FontB11[Ext.] -FontB12[Ext.] FontB21[Ext.] -FontB22[Ext.]	TM Page:0(IBM Extended character set) TM font name, Character size(dot) FontA(9x9) FontA(9x18) FontA(18x9) FontA(18x18) FontB(7x9) FontB(7x18) FontB(14x9) FontB(14x18)
Supported printer font name for bar code	None	
Supported printer font name for Special function	control	Refer to 13. Appendix D: Support functions list by control fonts
Supported printer font name for Extended special function	controlA	
Supported resolution	150 x 72 *Default 75 x 72	
Supported paper size	70(60.9) x 297mm WinNT/2000/XP Only 70(60.9) x 3275mm Win95/98 Only User-Defined (61x25.4 to 62x3276 mm)	
Supported Paper/output	Receipt Journal Receipt/Journal	

<b>EPSON</b>	TITLE	Revision	No	
	EPSON Advanced Printer Driver for TM series TM Printer Driver User's Manual	L	NEXT	SHEET
			60	59



Supported paper source	Report[No cut] Report[Partial cut] Report[Full cut] Report[No Feed] Form[No cut] Form[Partial cut] Form[Full cut]	
Supported print Quality	None	

<b>EPSON</b>	TITLE EPSON Advanced Printer Driver for TM series TM Printer Driver User's Manual	Revision  L	No	
			NEXT <b>61</b>	SHEET 60

### 10.9.2. Slip

	Specification	Remarks
Driver name	EPSON TM-U950 Slip	Version2.04
Supported Printer font name	FontA11-FontA12 FontA21-FontA22 FontB11-FontB12 FontB21-FontB22	TM Page:2(ANSI character set) TM font name, Character size(dot) FontA(9x9) FontA(9x18) FontA(18x9) FontA(18x18) FontB(7x9) FontB(7x18) FontB(14x9) FontB(14x18)
	FontA11[254] -FontA12[254] FontA21[254] -FontA22[254] FontB11[254] -FontB12[254] FontB21[254] -FontB22[254]	TM Page:254(Space page) TM font name, Character size(dot) FontA(9x9) FontA(9x18) FontA(18x9) FontA(18x18) FontB(7x9) FontB(7x18) FontB(14x9) FontB(14x18)
	FontA11[255] -FontA12[255] FontA21[255] -FontA22[255] FontB11[255] -FontB12[255] FontB21[255] -FontB22[255]	TM Page:255(Space page) TM font name, Character size(dot) FontA(9x9) FontA(9x18) FontA(18x9) FontA(18x18) FontB(7x9) FontB(7x18) FontB(14x9) FontB(14x18)
	FontA11[Ext.] -FontA12[Ext.] FontA21[Ext.] -FontA22[Ext.] FontB11[Ext.] -FontB12[Ext.] FontB21[Ext.] -FontB22[Ext.]	TM Page:0(IBM Extended character set) TM font name, Character size(dot) FontA(9x9) FontA(9x18) FontA(18x9) FontA(18x18) FontB(7x9) FontB(7x18) FontB(14x9) FontB(14x18)
Supported printer font name for bar code	None	
Supported printer font name for Special function	control	Refer to 13. Appendix D: Support functions list by control fonts
Supported printer font name for Extended Special function	controlA	
Supported resolution	150 x 72 *Default 75 x 72	
Supported paper size	135.5 x 257mm Win95/98 Only User-Defined (135.5x30 to 135x257 mm)	
Supported paper source	Slip	
Supported print Quality	None	

## 10.10.TM-U295 Printer Driver

### 10.10.1. Slip

	Specification	Remarks
Driver name	EPSON TM-U295 Slip	Version2.00
Supported Printer font name	FontA11-FontA12 FontA21-FontA22 FontB11-FontB12 FontB21-FontB22	TM Page:2(ANSI character set) TM font name, Character size(dot) FontA(9x9) FontA(9x18) FontA(18x9) FontA(18x18) FontB(7x9) FontB(7x18) FontB(14x9) FontB(14x18)
	FontA11[Ext.] -FontA12[Ext.] FontA21[Ext.] -FontA22[Ext.] FontB11[Ext.] -FontB12[Ext.] FontB21[Ext.] -FontB22[Ext.]	TM Page:0(IBM Extended character set) TM font name, Character size(dot) FontA(9x9) FontA(9x18) FontA(18x9) FontA(18x18) FontB(7x9) FontB(7x18) FontB(14x9) FontB(14x18)
Supported printer font name for bar code	None	
Supported printer font name for Special function	control	Refer to 13. Appendix D: Support functions list by control fonts
Supported printer font name for Extended special function	controlA	
Supported resolution	160 x 60 *Default 80 x 60	
Supported paper size	66.8 x 203mm Win95/98 Only User-Defined (66.8x14.4 to 66.8x203.2 mm)	
Supported paper source	Slip*Default Slip(BOF)	
Supported print Quality	None	

<b>EPSON</b>	TITLE EPSON Advanced Printer Driver for TM series TM Printer Driver User's Manual	Revision  L	No	
			NEXT <b>63</b>	SHEET 62

# 10.11.TM-U325 Printer Driver

## 10.11.1. Receipt

	Specification	Remarks
Driver name	EPSON TM-U325 Receipt	Version2.04
Supported Printer font name	FontA11 - FontA12 FontA21 - FontA22 FontB11 - FontB12 FontB21 - FontB22	TM Page:16(WPC1252) TM font name, Character size(dot) FontA(9x9) FontA(9x18) FontA(18x9) FontA(18x18) FontB(7x9) FontB(7x18) FontB(14x9) FontB(14x18)
	FontA11[254] -FontA12[254] FontA21[254] -FontA22[254] FontB11[254] -FontB12[254] FontB21[254] -FontB22[254]	TM Page:254(Space page) TM font name, Character size(dot) FontA(9x9) FontA(9x18) FontA(18x9) FontA(18x18) FontB(7x9) FontB(7x18) FontB(14x9) FontB(14x18)
	FontA11[255] -FontA12[255] FontA21[255] -FontA22[255] FontB11[255] -FontB12[255] FontB21[255] -FontB22[255]	TM Page:255(Space page) TM font name, Character size(dot) FontA(9x9) FontA(9x18) FontA(18x9) FontA(18x18) FontB(7x9) FontB(7x18) FontB(14x9) FontB(14x18)
	FontA11[Ext.] -FontA12[Ext.] FontA21[Ext.] -FontA22[Ext.] FontB11[Ext.] -FontB12[Ext.] FontB21[Ext.] -FontB22[Ext.]	TM Page:0(IBM Extended character set) TM font name, Character size(dot) FontA(9x9) FontA(9x18) FontA(18x9) FontA(18x18) FontB(7x9) FontB(7x18) FontB(14x9) FontB(14x18)
Supported printer font name for bar code	None	
Supported printer font name for Special function	control	Refer to 13. Appendix D: Support functions list by control fonts
Supported printer font name for Extended special function	controlA	
Supported resolution	160 x 72 *Default 80 x 72	
Supported paper size	76 x 297mm WinNT/2000/XP Only 76 x 3275mm Win95/98 Only User-Defined (63.5x25.4 to 62.5x3276 mm)	
Supported paper source	Report[No cut] Report[No Feed] Form[No cut]	
Supported print Quality	None	

<b>EPSON</b>	TITLE	Revision	No	
	EPSON Advanced Printer Driver for TM series TM Printer Driver User's Manual	L	NEXT	SHEET
			64	63

### 10.11.2. Validation

	Specification	Remarks
Driver name	EPSON TM-U325 Validation	Version2.04
Supported Printer font name	FontA11-FontA12 FontA21-FontA22 FontB11-FontB12 FontB21-FontB22	TM Page:16(WPC1252) TM font name, Character size(dot) FontA(9x9) FontA(9x18) FontA(18x9) FontA(18x18) FontB(7x9) FontB(7x18) FontB(14x9) FontB(14x18)
	FontA11[254] -FontA12[254] FontA21[254] -FontA22[254] FontB11[254] -FontB12[254] FontB21[254] -FontB22[254]	TM Page:254(Space page) TM font name, Character size(dot) FontA(9x9) FontA(9x18) FontA(18x9) FontA(18x18) FontB(7x9) FontB(7x18) FontB(14x9) FontB(14x18)
	FontA11[255] -FontA12[255] FontA21[255] -FontA22[255] FontB11[255] -FontB12[255] FontB21[255] -FontB22[255]	TM Page:255(Space page) TM font name, Character size(dot) FontA(9x9) FontA(9x18) FontA(18x9) FontA(18x18) FontB(7x9) FontB(7x18) FontB(14x9) FontB(14x18)
	FontA11[Ext.] -FontA12[Ext.] FontA21[Ext.] -FontA22[Ext.] FontB11[Ext.] -FontB12[Ext.] FontB21[Ext.] -FontB22[Ext.]	TM Page:0(IBM Extended character set) TM font name, Character size(dot) FontA(9x9) FontA(9x18) FontA(18x9) FontA(18x18) FontB(7x9) FontB(7x18) FontB(14x9) FontB(14x18)
Supported printer font name for bar code	None	
Supported printer font name for Special function	control	Refer to 13. Appendix D: Support functions list by control fonts
Supported printer font name for Extended Special function	controlA	
Supported resolution	160 x 72 *Default 80 x 72	
Supported paper size	63.5 x 36.7mm Win95/98 Only User-Defined (63.5x36.7 to 63.5x36.7 mm)	
Supported paper source	Validation	
Supported print Quality	None	

## 10.12. TM-U230 Printer Driver

### 10.12.1. Receipt

	Specification	Remarks
Driver name	EPSON TM-U230 Receipt	Version3.01
Supported Printer font name	FontA11-FontA12 FontA21-FontA22 FontB11-FontB12 FontB21-FontB22	TM Page:2(ANSI character set) TM font name, Character size(dot) FontA(9x9) FontA(9x18) FontA(18x9) FontA(18x18) FontB(7x9) FontB(7x18) FontB(14x9) FontB(14x18)
	FontA11[254] -FontA12[254] FontA21[254] -FontA22[254] FontB11[254] -FontB12[254] FontB21[254] -FontB22[254]	TM Page:254(Space page) TM font name, Character size(dot) FontA(9x9) FontA(9x18) FontA(18x9) FontA(18x18) FontB(7x9) FontB(7x18) FontB(14x9) FontB(14x18)
	FontA11[255] -FontA12[255] FontA21[255] -FontA22[255] FontB11[255] -FontB12[255] FontB21[255] -FontB22[255]	TM Page:255(Space page) TM font name, Character size(dot) FontA(9x9) FontA(9x18) FontA(18x9) FontA(18x18) FontB(7x9) FontB(7x18) FontB(14x9) FontB(14x18)
	FontA11[Ext.] -FontA12[Ext.] FontA21[Ext.] -FontA22[Ext.] FontB11[Ext.] -FontB12[Ext.] FontB21[Ext.] -FontB22[Ext.]	TM Page:0(IBM Extended character set) TM font name, Character size(dot) FontA(9x9) FontA(9x18) FontA(18x9) FontA(18x18) FontB(7x9) FontB(7x18) FontB(14x9) FontB(14x18)
Supported printer font name for bar code	None	
Supported printer font name for Special function	control	Refer to 13. Appendix D: Support functions list by control fonts
Supported printer font name for Extended Special function	controlA	
Supported resolution	160 x 72 *Default 80 x 72	
Supported paper size	76 x 297mm WinNT/2000/XP Only 76 x 3276mm Win95/98 Only User-Defined (63.5x25.4 to 63.5x3276 mm)	
Supported paper source	Report[No cut] Report[Partial cut] Report[No Feed] Form[No cut] Form[Partial cut]	
Supported print Quality	None	

<b>EPSON</b>	TITLE	Revision	No	
	EPSON Advanced Printer Driver for TM series TM Printer Driver User's Manual	L	NEXT	SHEET
			66	65

## 10.13. TM-U210A(R), TM-U210B, TM-U210D Printer Driver

### 10.13.1. Receipt

	Specification	Remarks
Driver name	EPSON TM-U210A(R) Receipt EPSON TM-U210B Receipt EPSON TM-U210D Receipt	Version3.01
Supported Printer font name	FontA11-FontA12 FontA21-FontA22 FontB11-FontB12 FontB21-FontB22	TM Page:2(ANSI character set) TM font name, Character size(dot) FontA(9x9) FontA(9x18) FontA(18x9) FontA(18x18) FontB(7x9) FontB(7x18) FontB(14x9) FontB(14x18)
	FontA11[254] -FontA12[254] FontA21[254] -FontA22[254] FontB11[254] -FontB12[254] FontB21[254] -FontB22[254]	TM Page:254(Space page) TM font name, Character size(dot) FontA(9x9) FontA(9x18) FontA(18x9) FontA(18x18) FontB(7x9) FontB(7x18) FontB(14x9) FontB(14x18)
	FontA11[255] -FontA12[255] FontA21[255] -FontA22[255] FontB11[255] -FontB12[255] FontB21[255] -FontB22[255]	TM Page:255(Space page) TM font name, Character size(dot) FontA(9x9) FontA(9x18) FontA(18x9) FontA(18x18) FontB(7x9) FontB(7x18) FontB(14x9) FontB(14x18)
	FontA11[Ext.] -FontA12[Ext.] FontA21[Ext.] -FontA22[Ext.] FontB11[Ext.] -FontB12[Ext.] FontB21[Ext.] -FontB22[Ext.]	TM Page:0(IBM Extended character set) TM font name, Character size(dot) FontA(9x9) FontA(9x18) FontA(18x9) FontA(18x18) FontB(7x9) FontB(7x18) FontB(14x9) FontB(14x18)
Supported printer font name for Barcode	None	
Supported printer font name for Special function	control	Refer to 13. Appendix D: Support functions list by control fonts
Supported printer font name for Extended Special function	controlA	
Supported resolution	160 x 72 *Default 80 x 72	
Supported paper size	76 x 297mm WinNT/2000/XP Only 76 x 3276mm Win95/98 Only User-Defined (63.5x25.4 to 63.5x3276 mm)	
Supported paper source	Report[No cut] Report[Partial cut] Report[No Feed] Form[No cut] Form[Partial cut]	
Supported print Quality	None	

<b>EPSON</b>	TITLE	Revision	No	
	EPSON Advanced Printer Driver for TM series TM Printer Driver User's Manual	L	NEXT	SHEET
			67	66

## 10.14. TM-J8000 Printer Driver

### 10.14.1. Receipt

	Specification	Remarks
Driver name	EPSON TM-J8000 Receipt	Version2.03
Supported Printer font name	FontA11-FontA12 FontA21-FontA22 FontB11-FontB12 FontB21-FontB22	TM Page:2(ANSI character set) TM font name, Character size(dot) FontA(22x48) FontA(22x96) FontA(44x48) FontA(44x96) FontB(18x36) FontB(18x72) FontB(36x36) FontB(36x72)
	FontA11[254]-FontA12[254] FontA21[254]-FontA22[254] FontB11[254]-FontB12[254] FontB21[254]-FontB22[254]	TM Page:254(Space page) TM font name, Character size(dot) FontA(22x48) FontA(22x96) FontA(44x48) FontA(44x96) FontB(18x36) FontB(18x72) FontB(36x36) FontB(36x72)
	FontA11[255]-FontA12[255] FontA21[255]-FontA22[255] FontB11[255]-FontB12[255] FontB21[255]-FontB22[255]	TM Page:255(Space page) TM font name, Character size(dot) FontA(22x48) FontA(22x96) FontA(44x48) FontA(44x96) FontB(18x36) FontB(18x72) FontB(36x36) FontB(36x72)
	FontA11[Ext.]-FontA12[Ext.] FontA21[Ext.]-FontA22[Ext.] FontB11[Ext.]-FontB12[Ext.] FontB21[Ext.]-FontB22[Ext.]	TM Page:0(IBM Extended character set) TM font name, Character size(dot) FontA(22x48) FontA(22x96) FontA(44x48) FontA(44x96) FontB(18x36) FontB(18x72) FontB(36x36) FontB(36x72)
	FontA11[OCR]	TM font name, Character size(dot) Extended FontA(36x48)
Supported printer font name for bar code	Codaber -Code39 ITF -JAN13(EAN) JAN8(EAN) -UPC-A UPC-E -Code93 Code128	
Supported printer font name for Special function	control	Refer to 13. Appendix D: Support functions list by control fonts
Supported printer font name for Extended Special function	controlA	
Supported resolution	360 x 360 *Default 180 x 180	
Supported paper size	76 x 297mm(360)* WinNT/2000/XP Only 76 x 2311.8mm Win95/98 Only User-Defined (65.2x25.4 to 76x2311.8 mm)	

<b>EPSON</b>	TITLE	Revision	No	
	EPSON Advanced Printer Driver for TM series TM Printer Driver User's Manual	L	NEXT	SHEET
			68	67



Supported paper source	Report[No cut] Report[Full cut] Report[No Feed] Form[No cut] Form[Full cut]	
Supported print Quality	Economy + Bi-directional *Default Economy + Unidirectional Fine + Bi-directional Fine + Unidirectional	

<b>EPSON</b>	TITLE EPSON Advanced Printer Driver for TM series TM Printer Driver User's Manual	Revision  L	No	
			NEXT <b>69</b>	SHEET 68

### 10.14.2. Reduce35

	Specification	Remarks
Driver name	EPSON TM- J8000 Reduce35	Version2.01
Supported Printer font name	Not Supported	
Supported printer font name for bar code	Not Supported	
Supported printer font name for Special function	Not Supported	
Supported printer font name for Extended Special function	Not Supported	
Supported resolution	112×112	
Supported paper size	Target 76mm WinNT/2000/XP Only 210×3276mm(112) Win95/98 Only User-Defined (210×25.4 to 210×3276 mm)	
Supported paper source	Report[No cut] Report[Full cut] Form[No cut] Form[Full cut]	
Supported print Quality	Economy + Bi-directional Economy + Unidirectional Fine + Bi-directional Fine + Unidirectional	

<b>EPSON</b>	TITLE EPSON Advanced Printer Driver for TM series TM Printer Driver User's Manual	Revision  L	No	
			NEXT <b>70</b>	SHEET 69

### 10.14.3. Slip

	Specification	Remarks
Driver name	EPSON TM-J8000 Slip	Version2.02
Supported Printer font name	FontA11 -FontA12 FontA21 -FontA22 FontB11 -FontB12 FontB21 -FontB22	TM Page:2(ANSI character set) TM font name, Character size(dot) FontA(22x48) FontA(22x96) FontA(44x48) FontA(44x96) FontB(18x36) FontB(18x72) FontB(36x36) FontB(36x72)
	FontA11[254] -FontA12[254] FontA21[254] -FontA22[254] FontB11[254] -FontB12[254] FontB21[254] -FontB22[254]	TM Page:254(Space page) TM font name, Character size(dot) FontA(22x48) FontA(22x96) FontA(44x48) FontA(44x96) FontB(18x36) FontB(18x72) FontB(36x36) FontB(36x72)
	FontA11[255] -FontA12[255] FontA21[255] -FontA22[255] FontB11[255] -FontB12[255] FontB21[255] -FontB22[255]	TM Page:255(Space page) TM font name, Character size(dot) FontA(22x48) FontA(22x96) FontA(44x48) FontA(44x96) FontB(18x36) FontB(18x72) FontB(36x36) FontB(36x72)
	FontA11[Ext.] -FontA12[Ext.] FontA21[Ext.] -FontA22[Ext.] FontB11[Ext.] -FontB12[Ext.] FontB21[Ext.] -FontB22[Ext.]	TM Page:0(IBM Extended character set) TM font name, Character size(dot) FontA(22x48) FontA(22x96) FontA(44x48) FontA(44x96) FontB(18x36) FontB(18x72) FontB(36x36) FontB(36x72)
	FontA11[OCR]	TM font name, Character size(dot) Extended FontA(36x48)
Supported printer font name for bar code	Codaber -Code39 ITF -JAN13(EAN) JAN8(EAN) -UPC-A UPC-E -Code93 Code128	
Supported printer font name for Special function	control	Refer to 13. Appendix D: Support functions list by control fonts
Supported printer font name for Extended Special function	controlA	
Supported resolution	360 x 360 *Default 180 x 180	
Supported paper size	201.8 x 278mm Win95/98 Only User-Defined (201.8 x 49 to 201.8 x 278 mm)	
Supported paper source	Slip Slip (BOF)	BOF sensor disabled BOF sensor enabled
Supported print Quality	Economy + Bi-directional *Default Economy + Unidirectional Fine + Bi-directional Fine + Unidirectional	

<b>EPSON</b>	TITLE	Revision	No	
	EPSON Advanced Printer Driver for TM series TM Printer Driver User's Manual	L	NEXT	SHEET
			71	70

# 10.15.TM-J2000/2100 Printer Driver

## 10.15.1.Receipt

	Specification	Remarks
Driver name	EPSON TM-J2000/2100 Receipt	Version3.01
Supported Printer font name	FontA11-FontA12 FontA21-FontA22 FontA24-FontA42 FontA44-FontA48 FontA84-FontA88 FontB11-FontB12 FontB21-FontB22 FontB24-FontB42 FontB44-FontB48 FontB84-FontB88	TM Page:16(WPC1252) TM font name, Character size(dot) FontA(12x24) FontA(12x48) FontA(24x24) FontA(24x48) FontA(24x96) FontA(48x48) FontA(48x96) FontA(48x192) FontA(96x96) FontA(96x192) FontB(9x17) FontB(9x34) FontB(18x17) FontB(18x34) FontB(18x68) FontB(36x34) FontB(36x68) FontB(36x136) FontB(72x68) FontB(72x136)
	FontA11[255]-FontA12[255] FontA21[255]-FontA22[255] FontA24[255]-FontA42[255] FontA44[255]-FontA48[255] FontA84[255]-FontA88[255] FontB11[255]-FontB12[255] FontB21[255]-FontB22[255] FontB24[255]-FontB42[255] FontB44[255]-FontB48[255] FontB84[255]-FontB88[255]	TM Page:255(Space page) TM font name, Character size(dot) FontA(12x24) FontA(12x48) FontA(24x24) FontA(24x48) FontA(24x96) FontA(48x48) FontA(48x96) FontA(48x192) FontA(96x96) FontA(96x192) FontB(9x17) FontB(9x34) FontB(18x17) FontB(18x34) FontB(18x68) FontB(36x34) FontB(36x68) FontB(36x136) FontB(72x68) FontB(72x136)
	FontA11[Ext.]-FontA12[Ext.] FontA21[Ext.]-FontA22[Ext.] FontA24[Ext.]-FontA42[Ext.] FontA44[Ext.]-FontA48[Ext.] FontA84[Ext.]-FontA88[Ext.] FontB11[Ext.]-FontB12[Ext.] FontB21[Ext.]-FontB22[Ext.] FontB24[Ext.]-FontB42[Ext.] FontB44[Ext.]-FontB48[Ext.] FontB84[Ext.]-FontB88[Ext.]	TM Page:0(IBM Extended character set) TM font name, Character size(dot) FontA(12x24) FontA(12x48) FontA(24x24) FontA(24x48) FontA(24x96) FontA(48x48) FontA(48x96) FontA(48x192) FontA(96x96) FontA(96x192) FontB(9x17) FontB(9x34) FontB(18x17) FontB(18x34) FontB(18x68) FontB(36x34) FontB(36x68) FontB(36x136) FontB(72x68) FontB(72x136)
Supported printer font name For bar code	Codaber -Code39 ITF -JAN13(EAN) JAN8(EAN) -UPC-A UPC-E -Code93 Code128	
Supported printer font name for special function	control	Refer to 13. Appendix D: Support functions list by control fonts
Supported printer font name for Extended Special function	controlA	
Supported resolution	360 x 360 180 x 180 *Default	
Supported paper size	58 x 297mm[180] 70 x 297mm	

<b>EPSON</b>	TITLE	Revision	No
	EPSON Advanced Printer Driver for TM series TM Printer Driver User's Manual	L	NEXT 72
			SHEET 71

	76 x 297mm[180] 82.5 x 297mm[180]  WinNT/2000/XP Only 58 x 2311.8mm 70 x 2311.8mm 76 x 2311.8mm 82.5 x 2311.8mm  Win95/98 Only User-Defined (50.8x25.4 to 72.2x2311.8 mm)	
Supported paper source	Report[No cut] Report[cut] Report[No Feed] Form[No cut] Form[cut]	
Supported print Quality	Unidirectional + Normal Unidirectional + High Speed *Default Unidirectional + Economy Bi-directional + Normal Bi-directional + High Speed Bi-directional + Economy	

<b>EPSON</b>	TITLE EPSON Advanced Printer Driver for TM series TM Printer Driver User's Manual	Revision  L	No	
			NEXT <b>73</b>	SHEET 72

### 10.15.2. Reduce35

	Specification	Remarks
Driver name	EPSON TM-J2000/2100 Reduce35	Version3.01
Supported Printer font name	Not Supported	
Supported printer font name for bar code	Not Supported	
Supported printer font name for Special function	Not Supported	
Supported printer font name for Extended Special function	Not Supported	
Supported resolution	112×112	
Supported paper size	Target 82mm Target 76mm Target 70mm Target 58mm[112] WinNT/2000/XP Only 232x3276mm Win95/98 Only User-Defined (163×25.4 to 232×3276 mm)	
Supported paper source	Report[No cut] Report[cut] Report[No Feed] Form[No cut] Form[cut]	
Supported print Quality	Unidirectional Bi-directional	

<b>EPSON</b>	TITLE EPSON Advanced Printer Driver for TM series TM Printer Driver User's Manual	Revision  L	No	
			NEXT 74	SHEET 73

### 10.15.3. Reverse

	Specification	Remarks
Driver name	EPSON TM-J2000/2100 Reverse	Version3.01
Supported Printer font name	Not Supported	
Supported printer font name for bar code	Not Supported	
Supported printer font name for Special function	Not Supported	
Supported printer font name for Extended special function	Not Supported	
Supported resolution	360×360 180×180 *Default	
Supported paper size	58 x 297mm[180] 70 x 297mm 76 x 297mm[180] 82.5 x 297mm[180] Win95/98 Only User-Defined (50.8x25.4 to 72.2x297 mm)	
Supported paper source	Form[No cut] Form[Full cut] Form[No Feed]	
Supported print Quality	Unidirectional + Normal Unidirectional + High Speed *Default Unidirectional + Economy Bi-directional + Normal Bi-directional + High Speed Bi-directional + Economy	

Note:

- This driver rotates printing 180 degrees when printing in the graphics mode.
- It rotates and prints one page at a time.
- The maximum length of one page is 297 mm.

<b>EPSON</b>	TITLE EPSON Advanced Printer Driver for TM series TM Printer Driver User's Manual	Revision  L	No	
			NEXT 75	SHEET 74

# 10.16.TM-J7000/7100 Printer Driver

## 10.16.1.Receipt

	Specification	Remarks
Driver name	EPSON TM-J7000/7100 Receipt	Version3.02
Supported Printer font name	FontA11-FontA12 FontA21-FontA22 FontA24-FontA42 FontA44-FontA48 FontA84-FontA88 FontB11-FontB12 FontB21-FontB22 FontB24-FontB42 FontB44-FontB48 FontB84-FontB88  FontA11s FontA12s FontA21s FontA22s FontA24s FontA42s FontA44s FontA48s FontA84s FontA88s FontB11s FontB12s FontB21s FontB22s FontB24s FontB42s FontB44s FontB48s FontB84s FontB88s	TM Page:16(WPC1252) TM font name, Character size(dot) FontA(12x24) FontA(12x48) FontA(24x24) FontA(24x48) FontA(24x96) FontA(48x48) FontA(48x96) FontA(48x192) FontA(96x96) FontA(96x192) FontB(9x17) FontB(9x34) FontB(18x17) FontB(18x34) FontB(18x68) FontB(36x34) FontB(36x68) FontB(36x136) FontB(72x68) FontB(72x136)  When a column up is selected by a memory switch, be sure to use only the following fonts. FontA(11x24) FontA(11x48) FontA(21x24) FontA(22x48) FontA(22x96) FontA(44x48) FontA(44x96) FontA(44x192) FontA(88x96) FontA(88x192) FontB(8x17) FontB(8x34) FontB(16x17) FontB(16x34) FontB(16x68) FontB(32x34) FontB(32x68) FontB(32x136) FontB(64x68) FontB(64x136)
	FontA11[255]-FontA12[255] FontA21[255]-FontA22[255] FontA24[255]-FontA42[255] FontA44[255]-FontA48[255] FontA84[255]-FontA88[255] FontB11[255]-FontB12[255] FontB21[255]-FontB22[255] FontB24[255]-FontB42[255] FontB44[255]-FontB48[255] FontB84[255]-FontB88[255]  FontA11s[255]-FontA12s[255] FontA21s[255]-FontA22s[255] FontA24s[255]-FontA42s[255] FontA44s[255]-FontA48s[255] FontA84s[255]-FontA88s[255] FontB11s[255]-FontB12s[255] FontB21s[255]-FontB22s[255] FontB24s[255]-FontB42s[255] FontB44s[255]-FontB48s[255] FontB84s[255]-FontB88s[255]	TM Page:255(Space page) TM font name, Character size(dot) FontA(12x24) FontA(12x48) FontA(24x24) FontA(24x48) FontA(24x96) FontA(48x48) FontA(48x96) FontA(48x192) FontA(96x96) FontA(96x192) FontB(9x17) FontB(9x34) FontB(18x17) FontB(18x34) FontB(18x68) FontB(36x34) FontB(36x68) FontB(36x136) FontB(72x68) FontB(72x136)  When a column up is selected by a memory switch, be sure to use only the following fonts. FontA(11x24) FontA(11x48) FontA(21x24) FontA(22x48) FontA(22x96) FontA(44x48) FontA(44x96) FontA(44x192) FontA(88x96) FontA(88x192) FontB(8x17) FontB(8x34) FontB(16x17) FontB(16x34) FontB(16x68) FontB(32x34) FontB(32x68) FontB(32x136)

<b>EPSON</b>	TITLE	Revision	No
	EPSON Advanced Printer Driver for TM series TM Printer Driver User's Manual	L	NEXT 76
			SHEET 75



	<p>FontA11[Ext.]-FontA12[Ext.]  FontA21[Ext.]-FontA22[Ext.]  FontA24[Ext.]-FontA42[Ext.]  FontA44[Ext.]-FontA48[Ext.]  FontA84[Ext.]-FontA88[Ext.]  FontB11[Ext.]-FontB12[Ext.]  FontB21[Ext.]-FontB22[Ext.]  FontB24[Ext.]-FontB42[Ext.]  FontB44[Ext.]-FontB48[Ext.]  FontB84[Ext.]-FontB88[Ext.]</p> <p>FontA11s[Ext.]-FontA12s[Ext.]  FontA21s[Ext.]-FontA22s[Ext.]  FontA24s[Ext.]-FontA42s[Ext.]  FontA44s[Ext.]-FontA48s[Ext.]  FontA84s[Ext.]-FontA88s[Ext.]  FontB11s[Ext.]-FontB12s[Ext.]  FontB21s[Ext.]-FontB22s[Ext.]  FontB24s[Ext.]-FontB42s[Ext.]  FontB44s[Ext.]-FontB48s[Ext.]  FontB84s[Ext.]-FontB88s[Ext.]</p>	<p>FontB(64x68) FontB(64x136)  TM Page:0(IBM Extended character set)  TM font name, Character size(dot)</p> <p>FontA(12x24) FontA(12x48)  FontA(24x24) FontA(24x48)  FontA(24x96) FontA(48x48)  FontA(48x96) FontA(48x192)  FontA(96x96) FontA(96x192)  FontB(9x17) FontB(9x34)  FontB(18x17) FontB(18x34)  FontB(18x68) FontB(36x34)  FontB(36x68) FontB(36x136)  FontB(72x68) FontB(72x136)</p> <p>When a column up is selected by a memory switch, be sure to use only the following fonts.</p> <p>FontA(11x24) FontA(11x48)  FontA(21x24) FontA(22x48)  FontA(22x96) FontA(44x48)  FontA(44x96) FontA(44x192)  FontA(88x96) FontA(88x192)  FontB(8x17) FontB(8x34)  FontB(16x17) FontB(16x34)  FontB(16x68) FontB(32x34)  FontB(32x68) FontB(32x136)  FontB(64x68) FontB(64x136)</p>
Supported printer font name For bar code	<p>Codaber -Code39  ITF -JAN13(EAN)  JAN8(EAN) -UPC-A  UPC-E -Code93 Code128</p>	
Supported printer font name for Two-dimensional code	PDF417	
Supported printer font name for special function	control	Refer to 13. Appendix D: Support functions list by control fonts
Supported printer font name for Extended Special function	controlA	
Supported resolution	180 x 180 *Default	
Supported paper size	<p>82.5(512) x 297mm  76(480) x 297mm  70(432) x 297mm  58(360) x 297mm</p> <ul style="list-style-type: none"> <li>• WinNT/Win2000/XP Only <p>82.5(512) x 3276mm  76(480) x 3276mm  70(432) x 3276mm  58(360) x 3276mm</p> </li> <li>• Win95/98 Only <p>User-Defined</p> </li> </ul>	

<b>EPSON</b>	TITLE	Revision	No	
	EPSON Advanced Printer Driver for TM series TM Printer Driver User's Manual	L	NEXT	SHEET
			77	76

	(50.8x25.4 to 72.2x3276 mm)	
Supported paper source	Report[No cut] Report[cut] Report[No Feed] Form[No cut] Form[cut]	
Supported print Quality	Unidirectional + Normal Unidirectional + High Speed *Default Unidirectional + Economy Bi-directional + Normal Bi-directional + High Speed Bi-directional + Economy	

<b>EPSON</b>	TITLE EPSON Advanced Printer Driver for TM series TM Printer Driver User's Manual	Revision  L	No	
			NEXT <b>78</b>	SHEET 77

**10.16.2. Reduce35**

	Specification	Remarks
Driver name	EPSON TM-J7000/7100 Reduce35	Version3.02
Supported Printer font name	Not Supported	
Supported printer font name for bar code	Not Supported	
Supported printer font name for Special function	Not Supported	
Supported printer font name for Extended Special function	Not Supported	
Supported resolution	62×62	
Supported paper size	Target 82(512)mm Target 76(480)mm Target 70(432)mm Target 58(360)mm WinNT/2000/XP Only 210(512) x 3276 mm Win95/98 Only User-Defined (147.5x25.4 to 209.8x3276mm)	
Supported paper source	Report[No cut] Report[cut] Report[No Feed] Form[No cut] Form[cut]	
Supported print Quality	Unidirectional + Normal Unidirectional + High Speed *Default Unidirectional + Economy Bi-directional + Normal Bi-directional + High Speed Bi-directional + Economy	

<b>EPSON</b>	TITLE EPSON Advanced Printer Driver for TM series TM Printer Driver User's Manual	Revision  L	No	
			NEXT <b>79</b>	SHEET 78

10.16.3.Slip

	Specification	Remarks
Driver name	EPSON TM-J7000/7100 Slip	Version3.02
Supported Printer font name	<p>FontA11-FontA12 FontA21-FontA22 FontA24-FontA42 FontA44-FontA48 FontA84-FontA88 FontB11-FontB12 FontB21-FontB22 FontB24-FontB42 FontB44-FontB48 FontB84-FontB88</p> <p>FontA11s FontA12s FontA21s FontA22s FontA24s FontA42s FontA44s FontA48s FontA84s FontA88s FontB11s FontB12s FontB21s FontB22s FontB24s FontB42s FontB44s FontB48s FontB84s FontB88s</p>	<p>TM Page:16(WPC1252) TM font name, Character size(dot)</p> <p>FontA(12x24) FontA(12x48) FontA(24x24) FontA(24x48) FontA(24x96) FontA(48x48) FontA(48x96) FontA(48x192) FontA(96x96) FontA(96x192) FontB(9x17) FontB(9x34) FontB(18x17) FontB(18x34) FontB(18x68) FontB(36x34) FontB(36x68) FontB(36x136) FontB(72x68) FontB(72x136)</p> <p>When a column up is selected by a memory switch, be sure to use only the following fonts.</p> <p>FontA(11x24) FontA(11x48) FontA(21x24) FontA(22x48) FontA(22x96) FontA(44x48) FontA(44x96) FontA(44x192) FontA(88x96) FontA(88x192) FontB(8x17) FontB(8x34) FontB(16x17) FontB(16x34) FontB(16x68) FontB(32x34) FontB(32x68) FontB(32x136) FontB(64x68) FontB(64x136)</p>
	<p>FontA11[255]-FontA12[255] FontA21[255]-FontA22[255] FontA24[255]-FontA42[255] FontA44[255]-FontA48[255] FontA84[255]-FontA88[255] FontB11[255]-FontB12[255] FontB21[255]-FontB22[255] FontB24[255]-FontB42[255] FontB44[255]-FontB48[255] FontB84[255]-FontB88[255]</p> <p>FontA11s[255]-FontA12s[255] FontA21s[255]-FontA22s[255] FontA24s[255]-FontA42s[255] FontA44s[255]-FontA48s[255] FontA84s[255]-FontA88s[255] FontB11s[255]-FontB12s[255] FontB21s[255]-FontB22s[255] FontB24s[255]-FontB42s[255] FontB44s[255]-FontB48s[255] FontB84s[255]-FontB88s[255]</p>	<p>TM Page:255(Space page) TM font name, Character size(dot)</p> <p>FontA(12x24) FontA(12x48) FontA(24x24) FontA(24x48) FontA(24x96) FontA(48x48) FontA(48x96) FontA(48x192) FontA(96x96) FontA(96x192) FontB(9x17) FontB(9x34) FontB(18x17) FontB(18x34) FontB(18x68) FontB(36x34) FontB(36x68) FontB(36x136) FontB(72x68) FontB(72x136)</p> <p>When a column up is selected by a memory switch, be sure to use only the following fonts.</p> <p>FontA(11x24) FontA(11x48) FontA(21x24) FontA(22x48) FontA(22x96) FontA(44x48) FontA(44x96) FontA(44x192) FontA(88x96) FontA(88x192) FontB(8x17) FontB(8x34) FontB(16x17) FontB(16x34) FontB(16x68) FontB(32x34) FontB(32x68) FontB(32x136) FontB(64x68) FontB(64x136)</p>
		<p>TM Page:0(IBM Extended character set) TM font name, Character size(dot)</p>

<b>EPSON</b>	TITLE	Revision	No	
	EPSON Advanced Printer Driver for TM series TM Printer Driver User's Manual	L	NEXT	SHEET
			80	79

	<p>FontA11[Ext.]-FontA12[Ext.]  FontA21[Ext.]-FontA22[Ext.]  FontA24[Ext.]-FontA42[Ext.]  FontA44[Ext.]-FontA48[Ext.]  FontA84[Ext.]-FontA88[Ext.]  FontB11[Ext.]-FontB12[Ext.]  FontB21[Ext.]-FontB22[Ext.]  FontB24[Ext.]-FontB42[Ext.]  FontB44[Ext.]-FontB48[Ext.]  FontB84[Ext.]-FontB88[Ext.]</p> <p>FontA11s[Ext.]-FontA12s[Ext.]  FontA21s[Ext.]-FontA22s[Ext.]  FontA24s[Ext.]-FontA42s[Ext.]  FontA44s[Ext.]-FontA48s[Ext.]  FontA84s[Ext.]-FontA88s[Ext.]  FontB11s[Ext.]-FontB12s[Ext.]  FontB21s[Ext.]-FontB22s[Ext.]  FontB24s[Ext.]-FontB42s[Ext.]  FontB44s[Ext.]-FontB48s[Ext.]  FontB84s[Ext.]-FontB88s[Ext.]</p>	<p>FontA(12x24) FontA(12x48)  FontA(24x24) FontA(24x48)  FontA(24x96) FontA(48x48)  FontA(48x96) FontA(48x192)  FontA(96x96) FontA(96x192)  FontB(9x17) FontB(9x34)  FontB(18x17) FontB(18x34)  FontB(18x68) FontB(36x34)  FontB(36x68) FontB(36x136)  FontB(72x68) FontB(72x136)</p> <p>When a column up is selected by a memory switch, be sure to use only the following fonts.</p> <p>FontA(11x24) FontA(11x48)  FontA(21x24) FontA(22x48)  FontA(22x96) FontA(44x48)  FontA(44x96) FontA(44x192)  FontA(88x96) FontA(88x192)  FontB(8x17) FontB(8x34)  FontB(16x17) FontB(16x34)  FontB(16x68) FontB(32x34)  FontB(32x68) FontB(32x136)  FontB(64x68) FontB(64x136)</p>
Supported printer font name For bar code	<p>Codaber -Code39  ITF -JAN13(EAN)  JAN8(EAN) -UPC-A  UPC-E -Code93 Code128</p>	
Supported printer font name for two dimensional code	PDF417	
Supported printer font name for special function	control	Refer to 13. Appendix D: Support functions list by control fonts
Supported printer font name for Extended Special function	controlA	
Supported resolution	180 x 180 *Default	
Supported paper size	<p>81(576) x 66.4 mm  Win95/98 Only  User-Defined  (81.3x 66.5to 81.3x 66.5mm)</p>	
Supported paper source	Slip	
Supported print Quality	<p>Unidirectional + Normal  Unidirectional + High Speed *Default  Unidirectional + Economy  Bi-directional + Normal  Bi-directional + High Speed  Bi-directional + Economy</p>	

<b>EPSON</b>	TITLE	Revision	No	
	EPSON Advanced Printer Driver for TM series TM Printer Driver User's Manual		L	NEXT <b>81</b>

10.16.4.Endorse

	Specification	Remarks
Driver name	EPSON TM-J7000/7100 Endorse	Version3.02
Supported Printer font name	<p>FontA11-FontA12 FontA21-FontA22 FontA24-FontA42 FontA44-FontA48 FontA84-FontA88 FontB11-FontB12 FontB21-FontB22 FontB24-FontB42 FontB44-FontB48 FontB84-FontB88</p> <p>FontA11s FontA12s FontA21s FontA22s FontA24s FontA42s FontA44s FontA48s FontA84s FontA88s FontB11s FontB12s FontB21s FontB22s FontB24s FontB42s FontB44s FontB48s FontB84s FontB88s</p>	<p>TM Page:16(WPC1252) TM font name, Character size(dot) FontA(12x24) FontA(12x48) FontA(24x24) FontA(24x48) FontA(24x96) FontA(48x48) FontA(48x96) FontA(48x192) FontA(96x96) FontA(96x192) FontB(9x17) FontB(9x34) FontB(18x17) FontB(18x34) FontB(18x68) FontB(36x34) FontB(36x68) FontB(36x136) FontB(72x68) FontB(72x136)</p> <p>When a column up is selected by a memory switch, be sure to use only the following fonts. FontA(11x24) FontA(11x48) FontA(21x24) FontA(22x48) FontA(22x96) FontA(44x48) FontA(44x96) FontA(44x192) FontA(88x96) FontA(88x192) FontB(8x17) FontB(8x34) FontB(16x17) FontB(16x34) FontB(16x68) FontB(32x34) FontB(32x68) FontB(32x136) FontB(64x68) FontB(64x136)</p>
	<p>FontA11[255]-FontA12[255] FontA21[255]-FontA22[255] FontA24[255]-FontA42[255] FontA44[255]-FontA48[255] FontA84[255]-FontA88[255] FontB11[255]-FontB12[255] FontB21[255]-FontB22[255] FontB24[255]-FontB42[255] FontB44[255]-FontB48[255] FontB84[255]-FontB88[255]</p> <p>FontA11s[255]-FontA12s[255] FontA21s[255]-FontA22s[255] FontA24s[255]-FontA42s[255] FontA44s[255]-FontA48s[255] FontA84s[255]-FontA88s[255] FontB11s[255]-FontB12s[255] FontB21s[255]-FontB22s[255] FontB24s[255]-FontB42s[255] FontB44s[255]-FontB48s[255] FontB84s[255]-FontB88s[255]</p>	<p>TM Page:255(Space page) TM font name, Character size(dot) FontA(12x24) FontA(12x48) FontA(24x24) FontA(24x48) FontA(24x96) FontA(48x48) FontA(48x96) FontA(48x192) FontA(96x96) FontA(96x192) FontB(9x17) FontB(9x34) FontB(18x17) FontB(18x34) FontB(18x68) FontB(36x34) FontB(36x68) FontB(36x136) FontB(72x68) FontB(72x136)</p> <p>When a column up is selected by a memory switch, be sure to use only the following fonts. FontA(11x24) FontA(11x48) FontA(21x24) FontA(22x48) FontA(22x96) FontA(44x48) FontA(44x96) FontA(44x192) FontA(88x96) FontA(88x192) FontB(8x17) FontB(8x34) FontB(16x17) FontB(16x34) FontB(16x68) FontB(32x34) FontB(32x68) FontB(32x136) FontB(64x68) FontB(64x136)</p>
		<p>TM Page:0(IBM Extended character set) TM font name, Character size(dot)</p>

<b>EPSON</b>	TITLE	Revision	No	
	EPSON Advanced Printer Driver for TM series TM Printer Driver User's Manual	L	NEXT	SHEET
			82	81

	<p>FontA11[Ext.]-FontA12[Ext.]  FontA21[Ext.]-FontA22[Ext.]  FontA24[Ext.]-FontA42[Ext.]  FontA44[Ext.]-FontA48[Ext.]  FontA84[Ext.]-FontA88[Ext.]  FontB11[Ext.]-FontB12[Ext.]  FontB21[Ext.]-FontB22[Ext.]  FontB24[Ext.]-FontB42[Ext.]  FontB44[Ext.]-FontB48[Ext.]  FontB84[Ext.]-FontB88[Ext.]</p> <p>FontA11s[Ext.]-FontA12s[Ext.]  FontA21s[Ext.]-FontA22s[Ext.]  FontA24s[Ext.]-FontA42s[Ext.]  FontA44s[Ext.]-FontA48s[Ext.]  FontA84s[Ext.]-FontA88s[Ext.]  FontB11s[Ext.]-FontB12s[Ext.]  FontB21s[Ext.]-FontB22s[Ext.]  FontB24s[Ext.]-FontB42s[Ext.]  FontB44s[Ext.]-FontB48s[Ext.]  FontB84s[Ext.]-FontB88s[Ext.]</p>	<p>FontA(12x24) FontA(12x48)  FontA(24x24) FontA(24x48)  FontA(24x96) FontA(48x48)  FontA(48x96) FontA(48x192)  FontA(96x96) FontA(96x192)  FontB(9x17) FontB(9x34)  FontB(18x17) FontB(18x34)  FontB(18x68) FontB(36x34)  FontB(36x68) FontB(36x136)  FontB(72x68) FontB(72x136)</p> <p>When a column up is selected by a memory switch, be sure to use only the following fonts.</p> <p>FontA(11x24) FontA(11x48)  FontA(21x24) FontA(22x48)  FontA(22x96) FontA(44x48)  FontA(44x96) FontA(44x192)  FontA(88x96) FontA(88x192)  FontB(8x17) FontB(8x34)  FontB(16x17) FontB(16x34)  FontB(16x68) FontB(32x34)  FontB(32x68) FontB(32x136)  FontB(64x68) FontB(64x136)</p>
Supported printer font name For bar code	<p>Codaber -Code39  ITF -JAN13(EAN)  JAN8(EAN) -UPC-A  UPC-E -Code93 Code128</p>	
Supported printer font name for two dimensional code	PDF417	
Supported printer font name for special function	control	Refer to 13. Appendix D: Support functions list by control fonts
Supported printer font name for Extended Special function	controlA	
Supported resolution	180 x 180 *Default	
Supported paper size	<p>78(552) x 29.6mm  Win95/98 Only  User-Defined  (77.9x29.6 to 77.9x29.6 mm)</p>	
Supported paper source	Endorse	
Supported print Quality	<p>Unidirectional + Normal  Unidirectional + High Speed *Default  Unidirectional + Economy  Bi-directional + Normal  Bi-directional + High Speed  Bi-directional + Economy</p>	

<b>EPSON</b>	TITLE	Revision	No	
	EPSON Advanced Printer Driver for TM series TM Printer Driver User's Manual		L	NEXT 83

## 10.17. TM-H3000R Printer Driver

### 10.17.1. Receipt

	Specification	Remarks
Driver name	EPSON TM-H3000(R) Receipt	Version2.03
Supported Printer font name	FontA11-FontA12 FontA21-FontA22 FontA24-FontA42 FontA44-FontA48 FontA84-FontA88 FontB11-FontB12 FontB21-FontB22 FontB24-FontB42 FontB44-FontB48 FontB84-FontB88	TM Page:16(WPC1252) TM font name, Character size(dot) FontA(12x24) FontA(12x48) FontA(24x24) FontA(24x48) FontA(24x96) FontA(48x48) FontA(48x96) FontA(48x192) FontA(96x96) FontA(96x192) FontB(9x17) FontB(9x34) FontB(18x17) FontB(18x34) FontB(18x68) FontB(36x34) FontB(36x68) FontB(36x136) FontB(72x68) FontB(72x136)
	FontA11[255] -FontA12[255] FontA21[255] -FontA22[255] FontA24[255] -FontA42[255] FontA44[255] -FontA48[255] FontA84[255] -FontA88[255] FontB11[255] -FontB12[255] FontB21[255] -FontB22[255] FontB24[255] -FontB42[255] FontB44[255] -FontB48[255] FontB84[255] -FontB88[255]	TM Page:255(Space page) TM font name, Character size(dot) FontA(12x24) FontA(12x48) FontA(24x24) FontA(24x48) FontA(24x96) FontA(48x48) FontA(48x96) FontA(48x192) FontA(96x96) FontA(96x192) FontB(9x17) FontB(9x34) FontB(18x17) FontB(18x34) FontB(18x68) FontB(36x34) FontB(36x68) FontB(36x136) FontB(72x68) FontB(72x136)
	FontA11[Ext.] -FontA12[Ext.] FontA21[Ext.] -FontA22[Ext.] FontA24[Ext.] -FontA42[Ext.] FontA44[Ext.] -FontA48[Ext.] FontA84[Ext.] -FontA88[Ext.] FontB11[Ext.] -FontB12[Ext.] FontB21[Ext.] -FontB22[Ext.] FontB24[Ext.] -FontB42[Ext.] FontB44[Ext.] -FontB48[Ext.] FontB84[Ext.] -FontB88[Ext.]	TM Page:0(IBM Extended character set) TM font name, Character size(dot) FontA(12x24) FontA(12x48) FontA(24x24) FontA(24x48) FontA(24x96) FontA(48x48) FontA(48x96) FontA(48x192) FontA(96x96) FontA(96x192) FontB(9x17) FontB(9x34) FontB(18x17) FontB(18x34) FontB(18x68) FontB(36x34) FontB(36x68) FontB(36x136) FontB(72x68) FontB(72x136)
Supported printer font name for bar Code	Codaber -Code39 ITF -JAN13(EAN) JAN8(EAN) -UPC-A UPC-E -Code93 Code128	
Supported printer font name for special function	control	Refer to 13. Appendix D: Support functions list by control fonts
Supported printer font name for Extended special function	controlA	

<b>EPSON</b>	TITLE	Revision	No	
	EPSON Advanced Printer Driver for TM series TM Printer Driver User's Manual	L	NEXT	SHEET
			84	83



Supported resolution	180 x 180*Default 180 x 90 90 x 180 90 x 90	
Supported paper size	80 x 297mm WinNT/2000/XP only 80 x 3275mm Win95/98 only User-Defined (72.2x25.4 to 80x3276 mm)	
Supported paper source	Report[No cut] Report[Partial cut] Report[No Feed] Form[No cut] Form[Partial cut]	
Supported print Quality	Smoothing mode on Smoothing mode off	

<b>EPSON</b>	TITLE EPSON Advanced Printer Driver for TM series TM Printer Driver User's Manual	Revision  L	No	
			NEXT <b>85</b>	SHEET 84

### 10.17.2. Reduce35

	Specification	Remarks
Driver name	EPSON TM- H3000(R) Reduce35	Version2.01
Supported Printer font name	Not Supported	
Supported printer font name for bar Code	Not Supported	
Supported printer font name for special function	Not Supported	
Supported printer font name for Extended special function	Not Supported	
Supported resolution	62×62	
Supported paper size	Target 80mm WinNT/2000/XP Only 210×3276mm Win95/98 Only User-Defined (210x25.4 to 210x3276 mm)	
Supported paper source	Report[No cut] Report[Partial cut] Report[No Feed] Form[No cut] Form[Partial cut]	
Supported print Quality	None	

<b>EPSON</b>	TITLE EPSON Advanced Printer Driver for TM series TM Printer Driver User's Manual	Revision  L	No	
			NEXT <b>86</b>	SHEET 85

### 10.17.3. Slip

	Specification	Remarks
Driver name	EPSON TM-H3000(R) Slip	Version2.03
Supported Printer font Name	FontA11-FontA12 FontA21-FontA22 FontB11-FontB12 FontB21-FontB22	TM Page:16(WPC1252) TM font name, Character size(dot) FontA(7x7) FontA(7x14) FontA(14x7) FontA(14x14) FontB(5x7) FontB(5x14) FontB(10x7) FontB(10x14)
	FontA11[255] -FontA12[255] FontA21[255] -FontA22[255] FontB11[255] -FontB12[255] FontB21[255] -FontB22[255]	TM Page:255(Space page) TM font name, Character size(dot) FontA(7x7) FontA(7x14) FontA(14x7) FontA(14x14) FontB(5x7) FontB(5x14) FontB(10x7) FontB(10x14)
	FontA11[Ext.] -FontA12[Ext.] FontA21[Ext.] -FontA22[Ext.] FontB11[Ext.] -FontB12[Ext.] FontB21[Ext.] -FontB22[Ext.]	TM Page:0(IBM Extended character set) TM font name, Character size(dot) FontA(7x7) FontA(7x14) FontA(14x7) FontA(14x14) FontB(5x7) FontB(5x14) FontB(10x7) FontB(10x14)
Supported printer font name for bar Code	None	
Supported printer font name for special function	control	Refer to 13. Appendix D: Support functions list by control fonts
Supported printer font name for Extended special function	controlA	
Supported resolution	160 x 60 *Default 80 x 60	
Supported paper size	66.8 x 243mm Win95/98 Only User-Defined 66.8x14.4 to 66.8x243mm)	
Supported paper source	Slip Slip (BOF)	BOF sensor disabled BOF sensor enabled
Supported print Quality	None	

## 10.18. RP-U420 Printer Driver

### 10.18.1. Receipt/Journal

	Specification	Remarks
Driver name	EPSON RP-U420 Receipt	Version2.03
Supported Printer font Name	FontB11 -FontB21	TM Page:16(WPC1252) TM font name, Character size(dot) FontB(7x9) FontB(7x18)
	FontB11[255] -FontB21[255]	TM Page:255(Space page) TM font name, Character size(dot) FontB(7x9) FontB(7x18)
	FontB11[Ext.] -FontB21[Ext.]	TM Page:0(IBM Extended character set) TM font name, Character size(dot) FontB(7x9) FontB(7x18)
Supported printer font name for bar Code	None	
Supported printer font name for Special function	control	Refer to 13. Appendix D: Support functions list by control fonts
Supported printer font name for Extended Special function	controlA	
Supported resolution	150 x 72*Default	Not supported to graphic printing.
Supported paper size	44.5 x 297mm WinNT/2000/XP Only 44.5 x 3276mm Win95/98 Only User-Defined (36.6x25.4 to 44.5x3276 mm)	
Supported paper source	Report[No cut] Report[Partial cut] Report[Full cut] Report[No Feed] Form[No cut] Form[Partial cut] Form[Full cut]	
Supported Paper/output	Receipt Journal Receipt/Journal	

<b>EPSON</b>	TITLE EPSON Advanced Printer Driver for TM series TM Printer Driver User's Manual	Revision  L	No	
			NEXT <b>88</b>	SHEET 87

### 10.18.2. Validation

	Specification	Remarks
Driver name	EPSON RP-U420 Validation	Version2.03
Supported Printer font name	FontB11 -FontB21	TM Page:16(WPC1252) TM font name, Character size(dot) FontB(7x9) FontB(7x18)
	FontB11[255] -FontB21[255]	TM Page: 255 (Space page) TM font name, Character size (dot) FontB (7x9) FontB (7x18)
	FontB11[Ext.] -FontB21[Ext.]	TM Page:0(IBM Extended character set) TM font name, Character size(dot) FontB(7x9) FontB(7x18)
Supported printer font name for bar Code	None	
Supported printer font name for special function	control	Refer to 13. Appendix D: Support functions list by control fonts
Supported printer font name for Extended special function	controlA	
Supported resolution	150×72 *Default	Not support of graphic printing.
Supported paper size	WinNT/2000/XP Only 84.5 x 12.7mm Win95/98 Only 84.5 x 4.2mm User-Defined (84.5x4.2 to 84.5 x 4.2 mm)	Margins on the WindowsNT4.0 or Windows2000/XP is following: Top:0mm Bottom:8.5mm Left:0mm Right:0mm
Supported paper source	Validation	
Supported print Quality	None	

## 10.19. DM-D10x/20x, DM-D110/210 Printer Driver

	Specification	Remarks
Driver name	EPSON DM-D10X/20X EPSON DM-D110/210	Version1.03
Supported Printer font name	DM-D 1st Line DM-D 2nd Line	DM Page:16(WPC1252)
Supported printer font name for special function	control	Refer to 13. Appendix D: Support functions list by control fonts
Supported resolution	72 x 72	Graphic data is not displayed.
Supported paper size	DM-D display size 35.2 x 16mm (100 x 45dot)	
Supported paper source	DM-D 2line mode	
Supported print Quality	Brightness 20% Brightness 40% Brightness 60% Brightness 100% (default)	

<b>EPSON</b>	TITLE EPSON Advanced Printer Driver for TM series TM Printer Driver User's Manual	Revision  L	No	
			NEXT <b>90</b>	SHEET 89

## 10.20. DM-D50x Printer Driver

### 10.20.1. DM-D500Graphic Driver

	Specification	Remarks
Driver name	EPSON DM-D50X Graphics	Version1.02
Supported Printer font name	DM-D FontA DM-D FontB	DM Page:16(WPC1252)
Supported printer font name for special function	control	Refer to 13. Appendix D: Support functions list by control fonts
Supported resolution	72 x 72	
Supported paper size	DM-D50x display 90.3 x 22.5mm (256 x 64dot)	
Supported paper source	DM-D Graphics mode	
Supported print Quality	Brightness 20% Brightness 40% Brightness 60% Brightness 100% (default)	

### 10.20.2. DM-D500 42x8 Driver

	Specification	Remarks
Driver name	EPSON DM-D50X 42x8	Version1.03
Supported Printer font name	DM-D 1st Line DM-D 2nd Line DM-D 3rd Line DM-D 4th Line DM-D 5th Line DM-D 6th Line DM-D 7th Line DM-D 8th Line	DM Page:16(WPC1252)
Supported printer font name for special function	control	Refer to 13. Appendix D: Support functions list by control fonts
Supported resolution	72 x 72	Graphic data is not displayed.
Supported paper size	DM-D50x display 90.3 x 22.5mm (256 x 64dot)	
Supported paper source	DM-D 42x8 mode	
Supported print Quality	Brightness 20% Brightness 40% Brightness 60% Brightness 100% (default)	

<b>EPSON</b>	TITLE	Revision	No	
	EPSON Advanced Printer Driver for TM series TM Printer Driver User's Manual		L	NEXT
			91	90

### 10.20.3. DM-D500 32x4 Driver

	Specification	Remarks
Driver name	EPSON DM-D50X 32x4	Version1.03
Supported Printer font name	DM-D 1st Line DM-D 2nd Line DM-D 3rd Line DM-D 4th Line	DM Page:16(WPC1252)
Supported printer font name for special function	control	Refer to 13. Appendix D: Support functions list by control fonts
Supported resolution	72 x 72	Graphic data is not displayed.
Supported paper size	DM-D50x display 90.3 x 22.5mm (256 x 64dot)	
Supported paper source	DM-D 32x4 mode	
Supported print Quality	Brightness 20% Brightness 40% Brightness 60% Brightness 100% (default)	

### 10.20.4. DM-D500 32x3 Driver

	Specification	Remarks
Driver name	EPSON DM-D50X 32x3	Version1.03
Supported Printer font name	DM-D 1st Line DM-D 2nd Line DM-D 3rd Line	DM Page:16(WPC1252)
Supported printer font name for special function	control	Refer to 13. Appendix D: Support functions list by control fonts
Supported resolution	72 x 72	Graphic data is not displayed.
Supported paper size	DM-D50x 2Lines display 56.4 x 22.5mm (160 x 64dot)	
Supported paper source	DM-D 32x3 mode	
Supported print Quality	Brightness 20% Brightness 40% Brightness 60% Brightness 100% (default)	

### 10.20.5. DM-D500 32x2 Driver

	Specification	Remarks
Driver name	EPSON DM-D50X 32x2	Version1.03
Supported Printer font name	DM-D 1st Line DM-D 2nd Line	DM Page:16(WPC1252)
Supported printer font name for special function	control	Refer to 13. Appendix D: Support functions list by control fonts
Supported resolution	72 x 72	Graphic data is not displayed.
Supported paper size	DM-D display size 90.3 x 22.5mm (256 x 64dot)	

<b>EPSON</b>	TITLE	Revision	No	
	EPSON Advanced Printer Driver for TM series TM Printer Driver User's Manual		L	NEXT
			92	91



Supported paper source	DM-D 32x2 mode	
Supported print Quality	Brightness 20% Brightness 40% Brightness 60% Brightness 100% (default)	

#### 10.20.6. DM-D500 20x2 Driver

	Specification	Remarks
Driver name	EPSON DM-D50X 20x2	Version1.03
Supported Printer font name	DM-D 1st Line DM-D 2nd Line	DM Page:16(WPC1252)
Supported printer font name for special function	control	Refer to 13. Appendix D: Support functions list by control fonts
Supported resolution	72 x 72	Graphic data is not displayed.
Supported paper size	DM-D display size 90.3 x 22.5mm (256 x 64dot)	
Supported paper source	DM-D 20 x 2 mode	
Supported print Quality	Brightness 20% Brightness 40% Brightness 60% Brightness 100% (default)	

<b>EPSON</b>	TITLE EPSON Advanced Printer Driver for TM series TM Printer Driver User's Manual	Revision  L	No	
			NEXT <b>93</b>	SHEET 92

# 11. Appendix B: Point size of the printer font

## 11.1. Printer driver for TM

Driver	H5000IIRceipt H6000Receipt H6000IIRceipt T88II(R)Receipt T88IIIReceipt H3000(R)Receipt T90 Receipt L90 Receipt L90 Label J2100 Receipt	H5000II Slip U590 Slip U675 Receipt U675 Slip U675Validation H6000 Slip H6000II Slip U220 Receipt U210A(R) Receipt	H6000 Endorse H6000II Endorse	J8000 Receipt J8000 Slip	H3000(R) Slip	RP-U420 Receipt RP-U420 Validation
control	9.5Point	9 Point	9 Point	9.5Point	8.5 Point	
FontA11	9.5Point	9 Point	9 Point	9.5Point	8.5 Point	
FontA12	19 Point	18 Point		19 Point	17 Point	
FontA21	9.5Point	9 Point		9.5Point	8.5 Point	
FontA22	19 Point	18 Point		19 Point	17 Point	
FontA24	38.5 Point					
FontA42	19 Point					
FontA44	38.5Point					
FontA48	77 Point					
FontA84	38.5Point					
FontA88	77Point					
FontB11	7Point	9 Point		7Point	8.5 Point	8.5 Point
FontB12	13.5Point	18Point		14.5Point	17 Point	
FontB21	7Point	9 Point		7Point	8.5 Point	8.5 Point
FontB22	13.5Point	18Point		14.5Point	17 Point	
FontB24	27 Point					
FontB42	13.5Point					
FontB44	27 Point					
FontB48	54.5Point					
FontB84	27Point					
FontB88	54.5 Point					

**[Caution]**

- For FontAxx [Ext.] / FontAxx [254] / FontAxx [255] / FontBxx [Ext.] / FontBxx [254] / FontBxx [255], the point size of fonts with names which do not contain [ ] is the same.

<b>EPSON</b>	TITLE EPSON Advanced Printer Driver for TM series TM Printer Driver User's Manual	Revision  L	No	
			NEXT <b>94</b>	SHEET 93

## 11.2. Printer driver for DM-D

Driver	D10X/20X D110/210	DD50X Graphics	D50X Text				
			32x4mode	42x8mode	32x3mode	32x2mode	20x2mode
control	7 Point	14 Point	13 Point	5 Point	13 Point	13 Point	13 Point
DM-D 1st Line	7 Point		13 Point	5 Point	13 Point	13 Point	13 Point
DM-D 2nd Line	7 Point		13 Point	5 Point	13 Point	13 Point	13 Point
DM-D 3rd Line			13 Point	5 Point	13 Point		
DM-D 4th Line			13 Point	5 Point			
DM-D 5th Line				5 Point			
DM-D 6th Line				5 Point			
DM-D 7th Line				5 Point			
DM-D 8th Line				5 Point			
DM-D FontA		13 Point					
DM-D FontB		5 Point					

<b>EPSON</b>	TITLE EPSON Advanced Printer Driver for TM series TM Printer Driver User's Manual	Revision  L	No	
			NEXT <b>95</b>	SHEET 94

## 12. Appendix C: The number of printable barcode data characters in one line

### 12.1. Printer driver for TM

Driver  Font	TM-H5000II Receipt TM-H6000 Receipt TM-H6000II Receipt TM-T88II(R) Receipt TM-T88III Receipt TM-H3000(R) Receipt	TM-H6000Receipt TM-T88II(R)Receipt TM-T88IIIReceipt	TM-J8000 Receipt	TM-J8000 Slip
	80mm	58mm	76mm	201.8mm
Codabar				
20	23 <sup>*1</sup> , 20 <sup>*2</sup>	17 <sup>*1</sup> , 15 <sup>*2</sup>	21 <sup>*1</sup> , 18 <sup>*2</sup>	65 <sup>*1</sup> , 57 <sup>*2</sup>
40	23 <sup>*1</sup> , 20 <sup>*2</sup>	17 <sup>*1</sup> , 15 <sup>*2</sup>	20 <sup>*1</sup> , 18 <sup>*2</sup>	65 <sup>*1</sup> , 57 <sup>*2</sup>
60	15 <sup>*1</sup> , 13 <sup>*2</sup>	11 <sup>*1</sup> , 9 <sup>*2</sup>	13 <sup>*1</sup> , 11 <sup>*2</sup>	42 <sup>*1</sup> , 36 <sup>*2</sup>
80	11 <sup>*1</sup> , 10 <sup>*2</sup>	8 <sup>*1</sup> , 7 <sup>*2</sup>	11 <sup>*1</sup> , 9 <sup>*2</sup>	31 <sup>*1</sup> , 27 <sup>*2</sup>
Code39				
20	17	13	15	49
40	17	13	15	49
60	9	8	9	31
80	8	6	7	24
ITF				
20	25	18	25	88
40	25	18	25	88
60	16	12	16	56
80	11	8	11	42
Code93				
20	24	17	21	75
40	24	17	21	75
60	14	10	13	48
80	10	6	8	35
Code128				
20	22	16	19	64
40	22	16	19	64
60	14	10	12	43
80	10	7	9	32

\*1 0123456789-\$

\*2 ./ABCD

<b>EPSON</b>	TITLE EPSON Advanced Printer Driver for TM series TM Printer Driver User's Manual	Revision  L	No	
			NEXT <b>96</b>	SHEET 95

Driver	TM-T90 Receipt	TM-T90 Receipt	TM-T90 Receipt	TM-L90 Receipt	TM-J2000/2100 Receipt			
	TM-L90 Receipt	TM-L90 Receipt		TM-L90 Receipt				
Font	TM-L90 Label	TM-L90 Label		TM-L90 Label				
	80mm	60mm	58mm	38mm	82.5mm	76mm	70mm	58mm
Codabar								
20	23 <sup>*1</sup> , 20 <sup>*2</sup>	16 <sup>*1</sup> , 14 <sup>*2</sup>	16 <sup>*1</sup> , 14 <sup>*2</sup>	10 <sup>*1</sup> , 9 <sup>*2</sup>	23 <sup>*1</sup> , 20 <sup>*2</sup>	21 <sup>*1</sup> , 19 <sup>*2</sup>	19 <sup>*1</sup> , 17 <sup>*2</sup>	16 <sup>*1</sup> , 14 <sup>*2</sup>
40	23 <sup>*1</sup> , 20 <sup>*2</sup>	16 <sup>*1</sup> , 14 <sup>*2</sup>	16 <sup>*1</sup> , 14 <sup>*2</sup>	10 <sup>*1</sup> , 9 <sup>*2</sup>	23 <sup>*1</sup> , 20 <sup>*2</sup>	21 <sup>*1</sup> , 19 <sup>*2</sup>	19 <sup>*1</sup> , 17 <sup>*2</sup>	16 <sup>*1</sup> , 14 <sup>*2</sup>
60	14 <sup>*1</sup> , 13 <sup>*2</sup>	10 <sup>*1</sup> , 9 <sup>*2</sup>	10 <sup>*1</sup> , 9 <sup>*2</sup>	10 <sup>*1</sup> , 9 <sup>*2</sup>	15 <sup>*1</sup> , 13 <sup>*2</sup>	14 <sup>*1</sup> , 12 <sup>*2</sup>	12 <sup>*1</sup> , 11 <sup>*2</sup>	10 <sup>*1</sup> , 9 <sup>*2</sup>
80	11 <sup>*1</sup> , 10 <sup>*2</sup>	8 <sup>*1</sup> , 7 <sup>*2</sup>	8 <sup>*1</sup> , 7 <sup>*2</sup>		11 <sup>*1</sup> , 10 <sup>*2</sup>	10 <sup>*1</sup> , 9 <sup>*2</sup>	9 <sup>*1</sup> , 8 <sup>*2</sup>	8 <sup>*1</sup> , 7 <sup>*2</sup>
Code39								
20	17	12	12	5	17	16	14	12
40	17	12	12	5	17	16	14	12
60	9	8	8		11	10	9	8
80	7	6	6		8	8	7	6
ITF								
20	25	18	18	13	30	28	24	20
40	25	18	18	13	30	28	24	20
60	17	12	12		18	18	16	12
80	12	8	8		14	12	12	8
Code93								
20	24	16	15	8	24	22	18	15
40	24	16	15	8	24	22	18	15
60	14	9	9		14	13	10	9
80	10	5	5		10	9	6	5
Code128								
20	22	15	15	9	22	20	18	15
40	22	15	15	9	22	20	18	15
60	14	9	9		14	13	11	9
80	10	7	7		10	9	8	6

**[Caution]**

\* The lengths of the following barcode fonts are fixed for each paper and each point size.

JAN13(EAN):13 characters, JAN8(EAN):8 characters, UPC-A/EPC-E:12 characters

<b>EPSON</b>	TITLE EPSON Advanced Printer Driver for TM series TM Printer Driver User's Manual	Revision  L	No	
			NEXT <b>97</b>	SHEET 96

# 13. Appendix D: Support functions list by control fonts

Character	Receipt									Label		Slip							Endorse			Validation		Receipt	Validation		
	L60II	L90	J7000/7100	J8000	U210A/B/D U230	U325	U675	U950	L60II	L90	H3000(R)	U295	J8000	J7000/7100	H5000II U590	H6000 U675	H6000II	U950	H6000	H6000II	J7000/7100	U325	U675	U420	U420		
!	-	-	-	-	-	-	-	-	Yes	-	-	-	-	-	-	-	-	-	-	-	-	-	-	-	-	yes	-
1	-	-	-	-	-	-	-	-	Yes	-	-	-	-	-	-	-	-	-	-	-	-	-	-	-	-	yes	-
2	-	-	-	-	-	-	-	-	Yes	-	-	-	-	-	-	-	-	-	-	-	-	-	-	-	-	yes	-
3	-	-	-	-	-	-	-	-	Yes	-	-	-	-	-	-	-	-	-	-	-	-	-	-	-	-	yes	-
4	-	-	-	-	-	-	-	-	Yes	Yes	-	-	-	-	-	-	-	yes	-	-	yes	-	yes	-	-	-	-
5	yes	yes	yes	yes	yes	yes	yes	yes	-	Yes	Yes	yes	yes	yes	yes	yes	yes	yes	-	yes	yes	yes	yes	yes	yes	-	-
6	yes	yes	yes	yes	yes	yes	yes	yes	Yes	Yes	Yes	yes	yes	yes	yes	yes	yes	yes	yes	yes	yes	yes	yes	yes	yes	yes	yes
7	yes	yes	yes	yes	yes	yes	yes	yes	Yes	Yes	Yes	yes	yes	yes	yes	yes	yes	yes	yes	yes	yes	yes	yes	yes	yes	yes	yes
a	yes	yes	yes	yes	yes	yes	yes	yes	Yes	Yes	Yes	yes	yes	yes	yes	yes	yes	yes	yes	yes	yes	yes	yes	yes	yes	yes	yes
b	yes	yes	yes	yes	yes	yes	yes	yes	Yes	Yes	Yes	yes	yes	yes	yes	yes	yes	yes	yes	yes	yes	yes	yes	yes	yes	yes	yes
c	yes	yes	yes	yes	yes	yes	yes	yes	Yes	Yes	Yes	yes	yes	yes	yes	yes	yes	yes	yes	yes	yes	yes	yes	yes	yes	yes	yes
d	yes	yes	yes	yes	yes	yes	yes	yes	Yes	Yes	Yes	yes	yes	yes	yes	yes	yes	yes	yes	yes	yes	yes	yes	yes	yes	yes	yes
e	yes	yes	yes	yes	yes	yes	yes	yes	Yes	Yes	Yes	yes	yes	yes	yes	yes	yes	yes	yes	yes	yes	yes	yes	yes	yes	yes	yes
f	-	-	-	-	yes	-	-	-	Yes	-	-	-	-	-	-	-	-	-	-	-	-	-	-	-	-	Yes	-

<b>EPSON</b>	TITLE	Revision	No	
	EPSON Advanced Printer Driver for TM series TM Printer Driver User's Manual	L	NEXT	SHEET
			2	1

g	yes	-	yes	yes	-	yes	-	yes	Yes *3	-	yes	-	-	-	-	-	-	-	-	-	-	-	-	-	-	Yes	-
h	-	-	-	yes	-	-	-	-	-	-	-	-	-	-	yes	-	-	-	-	-	-	yes	-	-	-	-	-
i	-	-	-	yes	-	-	-	-	-	-	-	-	-	-	yes	-	-	-	-	-	-	yes	-	-	-	-	-
j	-	-	-	yes	-	-	-	-	-	-	-	yes	-	-	yes	-	-	-	-	-	-	yes	-	-	-	-	-
k	-	-	-	yes	-	-	-	-	-	-	-	yes	-	-	yes	-	-	-	-	-	-	yes	-	-	-	-	-
l	-	-	-	yes	-	-	-	-	-	-	-	yes	-	-	yes	-	-	-	-	-	-	yes	-	-	-	-	-
p	yes	yes	yes	yes	yes	-	-	yes	-	yes	yes	yes	-	yes	yes	yes	yes	yes	-	-	-	-	-	-	yes	-	-
q	yes	yes	yes	yes	yes	-	-	yes	-	yes	yes	yes	-	yes	yes	yes	yes	yes	-	-	-	-	-	-	yes	-	-
r	yes	yes	yes	yes	yes	-	-	yes	-	yes	yes	yes	-	yes	yes	yes	yes	yes	-	-	-	-	-	-	yes	-	-
s	yes	yes	yes	yes	yes	-	-	yes	-	yes	yes	yes	-	yes	yes	yes	yes	yes	-	-	-	-	-	-	yes	-	-
t	yes	yes	yes	yes	yes	-	-	yes	-	yes	yes	yes	-	yes	yes	yes	yes	yes	-	-	-	-	-	-	yes	-	-
u	yes	yes	yes	-	yes	-	-	yes	-	yes	yes	-	-	yes	-	-	-	-	-	-	-	-	-	-	-	-	-
v	yes	yes	yes	-	yes	-	-	yes	-	yes	yes	-	-	yes	-	-	-	-	-	-	-	-	-	-	-	-	-
w	yes	yes	yes	yes	yes	yes	yes	yes	yes	yes	yes	yes	-	yes	yes	yes	yes	yes	yes	-	-	yes	yes	yes	-	-	
x	yes	yes	yes	yes	yes	yes	yes	yes	yes	yes	yes	yes	-	yes	yes	yes	yes	yes	yes	-	-	yes	yes	yes	-	-	
y	yes	yes	yes	yes	yes	yes	yes	yes	yes	yes	yes	yes	-	yes	yes	yes	yes	yes	yes	-	-	yes	yes	yes	-	-	
z	-	-	yes	-	-	-	-	-	-	-	yes	-	-	-	-	-	-	-	-	-	-	-	-	-	-	-	-
A	yes	yes	yes	yes	yes	yes	yes	yes	yes	yes	yes	yes	yes	yes	yes	yes	yes	yes	yes	yes	yes	yes	yes	yes	yes	yes	yes
B	yes	yes	yes	yes	yes	yes	yes	yes	yes	yes	yes	yes	yes	yes	yes	yes	yes	yes	yes	yes	yes	yes	yes	yes	yes	yes	yes
C	yes	yes	yes	yes	yes	yes	yes	yes	yes	yes	yes	yes	yes	yes	yes	yes	yes	yes	yes	yes	yes	yes	yes	yes	yes	yes	yes
D	yes	yes	yes	yes	yes	yes	yes	yes	yes	yes	yes	yes	yes	yes	yes	yes	yes	yes	yes	yes	yes	yes	yes	yes	yes	yes	yes
E	yes	yes	yes	yes	yes	yes	yes	yes	yes	yes	yes	yes	yes	yes	yes	yes	yes	yes	yes	yes	yes	yes	yes	yes	yes	yes	yes
F	-	-	-	-	yes	-	Yes	-	-	-	-	-	-	-	-	-	-	-	-	-	-	-	-	-	-	yes	-

<b>EPSON</b>	TITLE EPSON Advanced Printer Driver for TM series TM Printer Driver User's Manual	Revision  L	No	
			NEXT 3	SHEET 2

P	yes	-	yes	yes	-	yes	Yes	yes	-	-	yes	-	-	-	-	-	-	-	-	-	-	-	-	-	yes	-	
G	yes	-	yes	-	yes	-	-	yes	-	-	yes	-	-	yes	-	-	yes	yes	-	-	-	-	-	-	yes	-	-
H	yes	-	yes	-	yes	-	-	yes	-	-	yes	-	-	yes	-	-	yes	yes	-	-	-	-	-	-	yes	-	-
I	yes	-	yes	-	yes	-	-	yes	-	-	yes	-	-	yes	-	-	yes	yes	-	-	-	-	-	-	yes	-	-
J	yes	-	yes	-	yes	-	-	yes	-	-	yes	-	-	yes	-	-	yes	yes	-	-	-	-	-	-	yes	-	-
K	yes	-	yes	-	yes	-	-	yes	-	-	yes	-	-	yes	-	-	yes	yes	-	-	-	-	-	-	yes	-	-
[	yes	-	yes	-	yes	-	-	-	-	-	yes	-	-	yes	-	-	-	-	-	-	-	-	-	-	-	-	-
]	yes	-	yes	-	yes	-	-	-	-	-	yes	-	-	yes	-	-	-	-	-	-	-	-	-	-	-	-	-
^	yes	-	yes	-	yes	-	-	-	-	-	yes	-	-	yes	-	-	-	-	-	-	-	-	-	-	-	-	-
_	yes	-	yes	-	yes	-	-	-	-	-	yes	-	-	yes	-	-	-	-	-	-	-	-	-	-	-	-	-
`	yes	-	yes	-	yes	-	-	-	-	-	yes	-	-	yes	-	-	-	-	-	-	-	-	-	-	-	-	-

\*1 H3000(R), H5000II, H6000, H6000II, T88II(R), T88III, T90, J2000/2100

\*2 TM-U950 uses a partial cut one point left uncut.

\*3 TM-U950 uses a partial cut three points left uncut.

<b>EPSON</b>	TITLE EPSON Advanced Printer Driver for TM series TM Printer Driver User's Manual	Revision  L	No	
			NEXT 4	SHEET 3



	DM-D10X/20X DM-D110/210	DM-D50X Graphic	DM-D50X Text 32x4	DM-D50X Text 42x8	DM-D50X Text 32x3	DM-D50X Text 32x2	DM-D50x Text 20x2
a	yes	yes	yes	yes	yes	yes	yes
b	yes	-	-	-	-	-	-
c	yes	-	-	-	-	-	-
d	yes	yes	yes	yes	yes	yes	yes
e	yes	yes	yes	yes	yes	yes	yes
f	yes	yes	yes	yes	yes	yes	yes
g	yes	yes	yes	yes	yes	yes	yes
h	yes	yes	yes	yes	yes	yes	yes
i	yes	yes	yes	yes	yes	yes	yes
j	yes	-	-	-	-	-	yes
k	yes	-	-	-	-	-	yes
l	yes	yes	yes	yes	yes	yes	yes
m	yes	yes	yes	yes	yes	yes	yes
n	yes	yes	yes	yes	yes	yes	yes
o	yes	yes	yes	yes	yes	yes	yes
p	-	-	yes	yes	yes	yes	yes
q	-	-	yes	yes	yes	yes	yes
r	-	-	yes	yes	yes	-	-
s	-	-	yes	yes	-	-	-
t	-	-	-	yes	-	-	-
u	-	-	-	yes	-	-	-
v	-	-	-	yes	-	-	-
w	-	-	-	yes	-	-	-
G	-	yes	-	-	-	-	-
H	-	yes	-	-	-	-	-
I	-	yes	-	-	-	-	-
J	-	yes	-	-	-	-	-
K	-	yes	-	-	-	-	-
[	-	yes	-	-	-	-	-
]	-	yes	-	-	-	-	-
^	-	yes	-	-	-	-	-
-	-	yes	-	-	-	-	-
`	-	yes	-	-	-	-	-