

DriveShaft Manual

Guidelines/Restrictions:

- This adapter is for 15mm & 20mm thru axles only, for use on fork mounted bike carriers.
- Bicycle weight limit is 35lbs with this carrier.
- Do not use on tandem bicycles.
- Do not exceed the load capacity of your vehicle's roof rack or bike carrier.

Test Fit: Rotation Interference:

After installing the adapter on your rack, mount the bicycle and rotate the adapter both forward and back until it stops. If any of the following conditions exist, the warranty is void and use is at your own risk:

- Adapter must not rotate more than 180 degrees, see **(Figure A)**
- Adapter, fork legs, suspension adapters, or disc brakes must not contact the vehicle or glass in any position.
- There are no objects, interference or protrusions can push the handle open in any position.
- Fork legs, suspension adjusters, or disc brakes do not contact the adapter in any position.

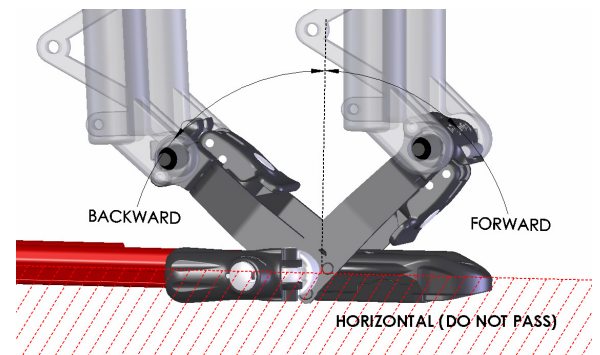


Figure A

Axle Selection: For 20mm axles, use the product without the plastic shims. For 15mm axles, you will need to install the shims. The shims are a tight fit, use your 15mm axle as a guide to install them. Align one shim in the upper half and one in the lower half **(Figure B)**, place your axle in between, rotate the t-bolt into place **(Figure C)**, and close the handle to secure shims in place **(Figure D)**. Remove the sleeves to carry a 20mm axle.

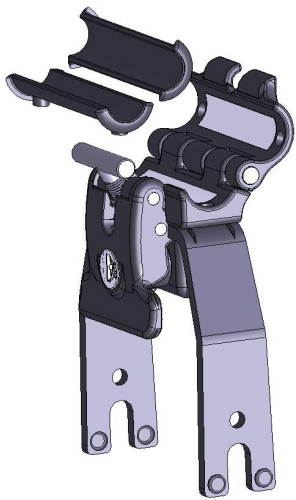


Figure B

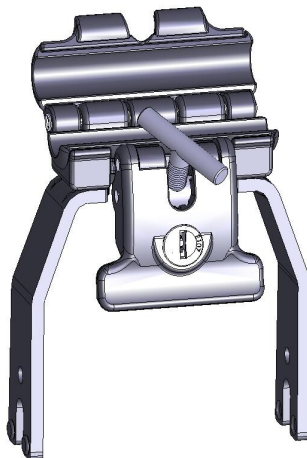


Figure C



Figure D

Installation/Use

- 1) Install adapter, handle facing forward (**Figure E**) and secure adapter with the quick release.
- 2) Remove front wheel from bicycle, and firmly re-install the axle without the front wheel.
- 3) Open the handle, pull back the t-bolt and open the top cap. Lift your bicycle onto the adapter and insert your axle in the opening (**Figure F**). Close the cap, pivot the t-bolt into place, and close the handle (**Figure G**). There should be a firm, positive feel when closed. If too loose, open the handle, tighten the T-bolt, and re-close. Repeat until secure.
- 4) Grab the fork legs and shake the bike back and forth. Both the quick release and handle on the adapter should be firm and not move. Perform this safety check with each use.
- 5) Optional: Insert key to lock the handle.
- 6) Remove when not in use.

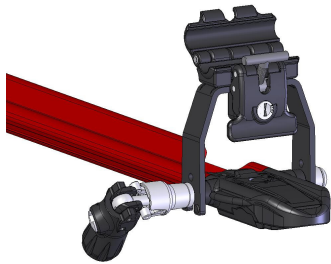


Figure E



Figure F

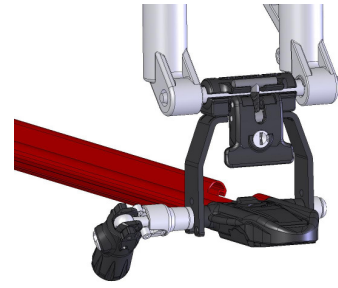


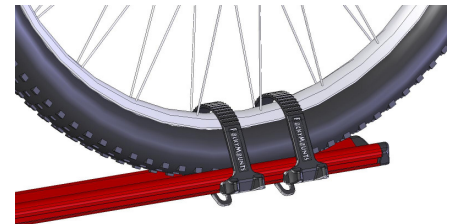
Figure G

Maintenance: Lubricate threads on T-bolt, replace if worn or rusted.

Warnings:

- Thru-axle adapters can rotate while driving. Use of a second rear wheel strap (**Figure H**), approximately 4-5" apart will solve this. Additional wheel strap not included.
- Remove baby seats, panniers, u-locks (items which could detach from the bicycle).
- Do not use bicycle covers, bicycle bras, or bikes equipped with disc wheels.
- Do not take the vehicle off road.
- Locks are deterrents. RockyMounts cannot be held liable for stolen bicycles.
- Check all fastenings (nuts, bolts, straps and quick releases) before each use.
- Periodically inspect and replace if damaged or rusting.

Figure H



One Year Limited Warranty

Rocky Mounts Inc. warrants to the original purchaser that the product will be free from defects in material and/or workmanship for one (1) year from the date of original retail purchase. Subject to the limitations stated below, Rocky Mounts will at its own expense during the one year warranty period repair or replace the defective component(s). The purchaser will be responsible for freight charges to Rocky Mounts. This warranty is only applicable if the instructions are correctly followed and the components are properly used. This warranty is not applicable if the defect is caused by normal wear and tear or exposure; the component(s) is damaged from misuse, abuse, theft, fire, accident, alteration, mixing third party components with the system and/or unlawful operation of the vehicle. Rocky Mounts Inc. cannot and does not assume responsibility for any damages to any property arising out of the improper attachment to a vehicle or a bicycle to the system or use of its products. This limited warranty applies to Rocky Mounts products and not to the products used in conjunction with Rocky Mounts products.

This warranty is in lieu of all other warranties, expressed or implied, and does not cover consequential damages of any kind arising from the use or misuse of Rocky Mounts products.

ROCKY MOUNTS DOES NOT AUTHORIZE ANY PERSON TO ASSUME, ON ITS BE- HALF, ANY OTHER OBLIGATION OR LIABILITY.