

Item
Model
ProjectName



LVA100

This Dito washing and drying machine presents all those characteristics of efficiency, functionality and hygiene which makes it an essential component on the modern kitchens. This appliance is designed for the efficient and safe treatment of vegetables in the commercial kitchen. It has been constructed on the basis of rigorous technical principles to guarantee functionality, long term reliability and efficient running costs.

660072

FEATURES

- Bearing frame, external panelling, lid and extractable basket all in 304 AISI stainless steel and mounted on height adjustable feet.
- Basket support in corrosion resistant aluminium.
- Lid microswitch to prevent the starting of the machine when the lid is open.
- Electromagnetic device immediately stops the machine when the lid is opened during use.
- Very efficient and easy to clean filtering system.
- Pressed well with rounded corners.
- 1 self cleaning cycle of the well.
- This model is endowed with a cleansing container with detergent liquid display and include sanitizing doser kit.

Veg-washer/Spin dryer



DITO**Electrolux**

- Drainage solenoid valve for rapid opening and closing to guarantee easy and efficient well drainage.
- Water inlet solenoid valve for rapid fill of the well.
- Manual and 3 automatic washing cycles available.
- Cycle time can be set by the operator in the model 660071.

- Possibility to regulate the washing water power according to the type of product to be treated and reducing damaging in delicate vegetable during washing / drying operations.
- IPX5 water protection.

Specifications

MODEL	LVA100B 660072	LVA100D 660071
Well capacity - lt.	30	30
External dimensions - mm		
width	700	700
depth	700	700
height	1000	1000
Loading capacity - kg.		
light vegetables	2-3	2-3
heavy vegetables	6	6
Rotation speed - rpm	300	300
Power - kW		
installed-electric	0.9	0.9
Net weight - kg.	82	82
Supply voltage	230 V, 1N, 50	230 V, 1N, 50
Programmable cycle times		✓

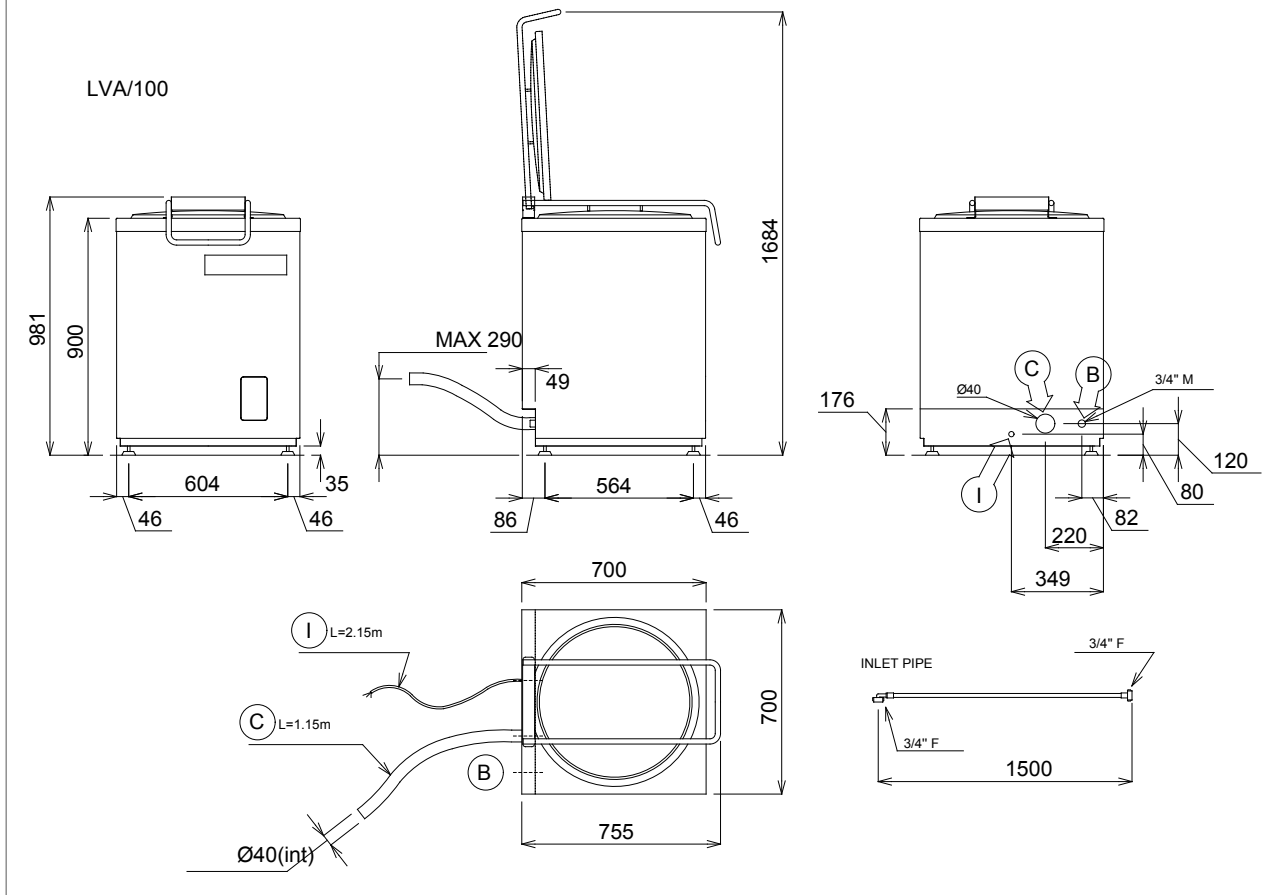
Optional accessories

CODE	DESCRIPTION	LVA100B 660072	LVA100D 660071
921014	BASKET W/SMALL HOLES F.VEGETABLE WASHER	✓	✓



DITO**Electrolux**

Installation drawings

660072, 660071**MODEL****LVA100B
660072****LVA100D
660071**

B - Cold water inlet

3/4"

3/4"

C - Water drain

40mm

40mm

I - Electrical connection

230 V, 1N, 50

230 V, 1N, 50



Veg-washer/Spin dryer

AGCA010

The manufacturer reserves the right to modify and make improvements to the products without giving prior warning. Dimensions, illustrations, technical data, weights, etc. are given as an indication only.



www.dito-electrolux.com

