

Item
Model
ProjectName



ELX 65

The ELX65 is designed for spin drying salads and all leafy vegetables in large kitchens or small vegetable preparation food processing units. The high output, ergonomics and ease of maintenance of this salad dryer makes it an essential tool in all vegetable preparation areas. The main reason for drying leafy vegetables properly is to preserve the flavour of the products until served.

601979

FEATURES

- Ideal to dry lettuce, spinach, leek, parsley, swiss chard and cabbage.
- Body and panels are made in stainless steel.
- 18/10 stainless steel or resin basket depending on model.
- Spin drying automatic cycle.
- Very short drying time (1 to 2 minutes).
- The rotation speed has been designed to dry fragile leaves without crushing them.
- Two cycles: "automatic" which alternates rotation with several sudden stops (for all vegetables); "manual" thanks to the adjustable timer up to 59 minutes (for delicate vegetables).

Spin Dryers



DITO**Electrolux**

- Residual water is eliminated by means of an outlet pipe (height 175 mm, internal diameter 80 mm).
- Flat control panel allows the dryer to be cleaned even with a jet of water.
- V-ribbed belt drive, basket rotation speed is approximately 330 rpm.
- Endowed with motor brake: the dryer stops immediately after the drying cycle.
- Basket capacity: 65 litres.
- Load capacity: 12 kg.

Specifications

MODEL	ELX65F5 601979	ELX65F25 601987	ELX65XF5 601980
Well capacity - lt.	65	65	65
External dimensions - mm			
width	578	578	578
depth	639	639	639
height	1005	1005	1005
Usable well capacity - lt	65	65	65
Load per cycle - unit			
light vegetables (ex lettuce)	13/15 UNITS	13/15 UNITS LETTUCE	13/15 UNITS LETTUCE
Load per cycle - kg.			
heavy vegetables	12 KG VEGETABLES	12 KG VEGETABLES	12 KG VEGETABLES
Electrical power - kW	0.75	0.75	0.75
Net weight - kg.	53	53	57
Supply voltage	230/400 V, 3, 50	230...240 V, 1N, 50	230/400 V, 3, 50

Included accessories

CODE	DESCRIPTION	ELX65F5 601979	ELX65F25 601987	ELX65XF5 601980
653304	PLASTIC BASKET FOR 12KG VEGETABLE DRYER	1	1	
653303	S/S BASKET FOR 12KG VEGETABLE DRYER			1

Optional accessories

CODE	DESCRIPTION	ELX65F5 601979	ELX65F25 601987	ELX65XF5 601980
653304	PLASTIC BASKET FOR 12KG VEGETABLE DRYER	✓	✓	✓
653303	S/S BASKET FOR 12KG VEGETABLE DRYER	✓	✓	✓

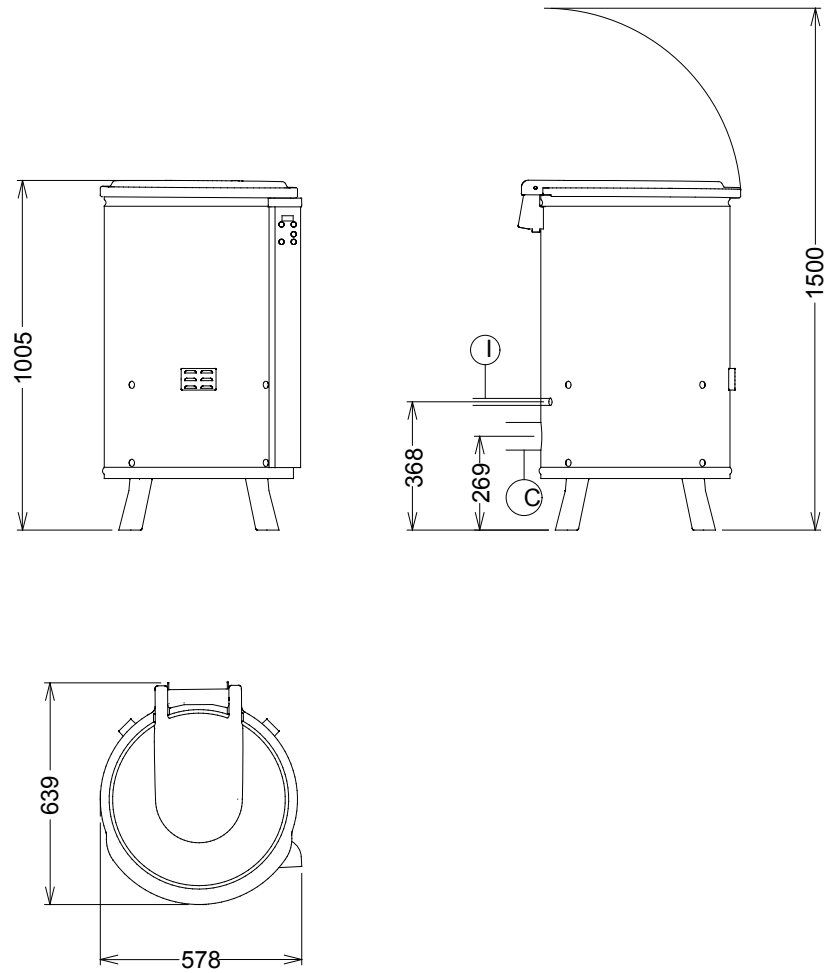


DITO

Electrolux

Installation drawings

601979, 601980, 601987



MODEL	ELX65F5 601979	ELX65F25 601987	ELX65XF5 601980
C - Water drain	80mm	80mm	80mm
I - Electrical connection	230/400 V, 3, 50	230...240 V, 1N, 50	230/400 V, 3, 50



Spin Dryers

The manufacturer reserves the right to modify and make improvements to the products without giving prior warning. Dimensions, illustrations, technical data, weights, etc. are given as an indication only.



www.dito-electrolux.com

