



DITO

**VSD-10 – 10 Gal. Vegetable Dryer
Greens Machine Series**

ITEM # _____

MODEL # _____

PROJECT NAME # _____

SIS # _____

AIA # _____

DITO
Electrolux



**VSD-10 – 10 gal. Vegetable Dryer
Greens Machine Series**

601563 (VSD-10) VSD-10 10 Gal. Polyethylene Dryer
115 V/1p/60Hz

Short Form Specification

Item No. _____

Unit to be Electrolux Dito VSD-10 – 10 gal. Vegetable Dryer. Electrical characteristics to be 115 V SINGLE-phase operation with Single speed at 406 rpm. Heavy duty polyethylene body with an ergonomic design for easy use and cleanability. Countertop or Wall Mounted capabilities.

Main features

- Easy to reach control knob with adjustable ON/OFF 5 minute timer.
- Easy cleaning.
- Easy to load polyethylene inner basket with handle grips.
- Sturdy polyethylene shell totally sealed.
- Dimensions:
 - Height: 33.5"
 - Diameter: 21"
- Shipping weight: 49 lbs.
- Gravity drain: 1.5" wide.
- Inner liner capacity: 10 gal./10 lbs.
 - Height: 14"
 - Diameter: 13"
- ETL electrical and sanitation listed.
- NEMA # : 5-15P on 1+6' cord.
- 2 year parts warranty, 1 year labor.

Optional Accessories

- Wall mounting kit (PNC 653634)
- Inner liner (PNC 653633)



NEMA #: 5-15P

Approval: _____

**VSD-10 – 10 Gal. Vegetable Dryer
Greens Machine Series**

Electrolux Professional, Inc.

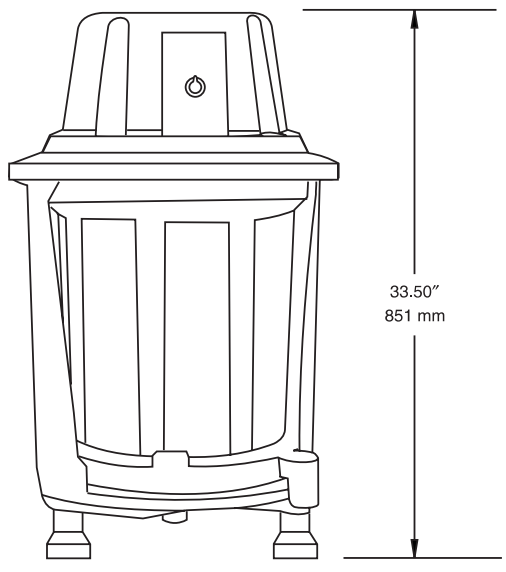
www.electroluxusa.com/professional

3225 SW 42nd Street, Fort Lauderdale, Florida, 33312 • Telephone Number: 866-449-4200 • Fax Number: 954-327-6789

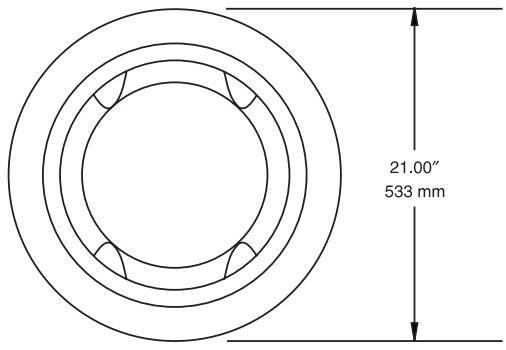
Electric

Supply voltage:
601563 (VSD-10) 115 V/1p/60Hz - 1.3A

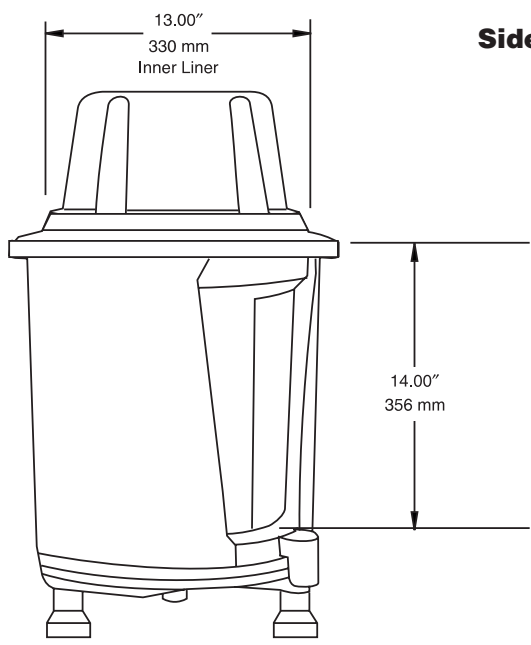
Front View



Top View



Side View



**VSD-10 – 10 gal. Vegetable Dryer
Greens Machine Series**

The company reserves the right to make modifications to the products without prior notice. All information correct at time of printing.
7-3-09