



# Illustrated Parts List

## Model Series

# 12D100

TYPE NUMBERS  
0003 through 0940.

### TABLE OF CONTENTS

<b>Blower Housing/Shrouds</b> .....	7
<b>Camshaft</b> .....	2
<b>Carburetor</b> .....	5
<b>Controls</b> .....	6
<b>Crankcase Cover</b> .....	3
<b>Crankshaft</b> .....	2
<b>Cylinder</b> .....	2
<b>Cylinder Head</b> .....	4
<b>Electric Starter</b> .....	8
<b>Exhaust System</b> .....	7
<b>Flywheel</b> .....	7
<b>Fuel Supply</b> .....	5
<b>Governor Spring</b> .....	6
<b>Ignition</b> .....	8
<b>Kits/Gaskets - Carburetor</b> .....	5
<b>Kits/Gaskets - Engine</b> .....	2
<b>Kits/Gaskets - Valves</b> .....	4
<b>Lubrication</b> .....	3
<b>Piston Group</b> .....	2
<b>Rewind Starter</b> .....	6

Not for reproduction



PRINTED IN U.S.A.

COPYRIGHT by BRIGGS & STRATTON CORPORATION  
All rights reserved. No part of this material may be reproduced or transmitted, in any form or by any means, electronic or mechanical, including photocopying, recording or by any information storage and retrieval system, without permission in writing from Briggs & Stratton Corporation.

# 12D100

**1319 WARNING LABEL**

**REQUIRED** when replacing parts with warning labels affixed.

**1319A WARNING LABEL**

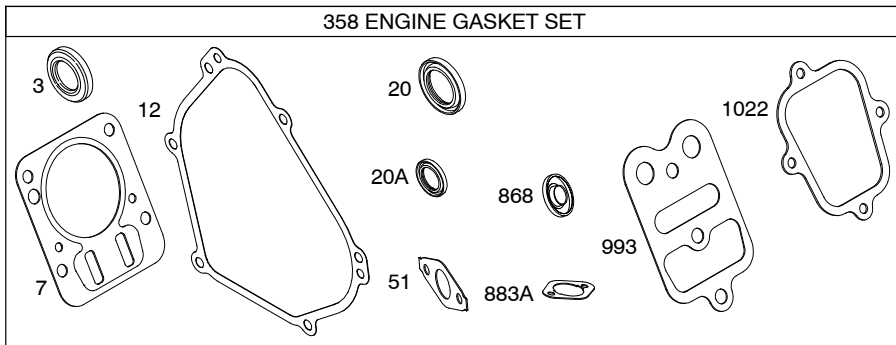
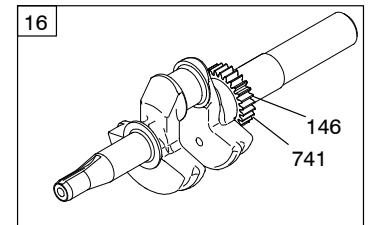
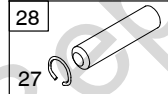
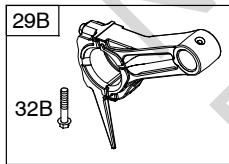
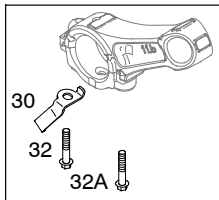
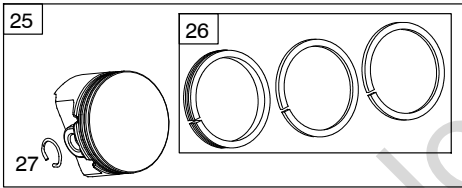
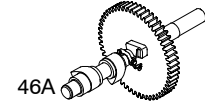
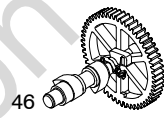
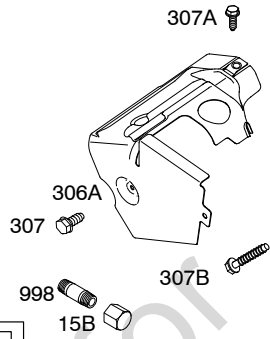
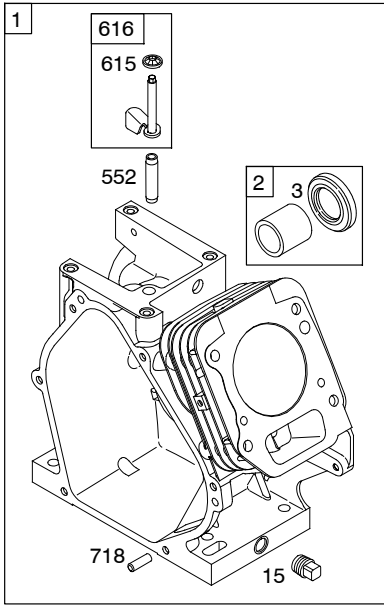
**REQUIRED** when replacing parts with warning labels affixed.

**1330 REPAIR MANUAL**

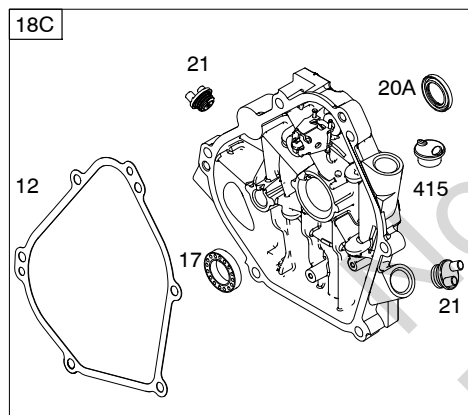
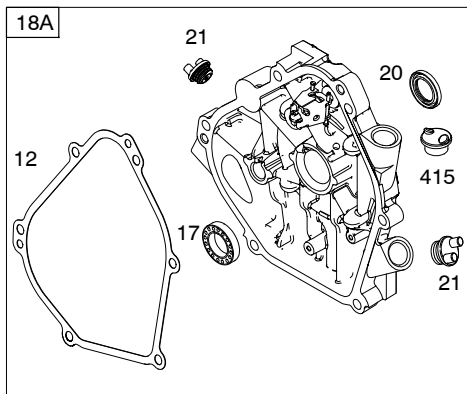
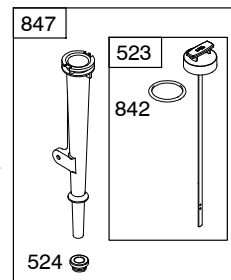
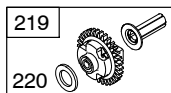
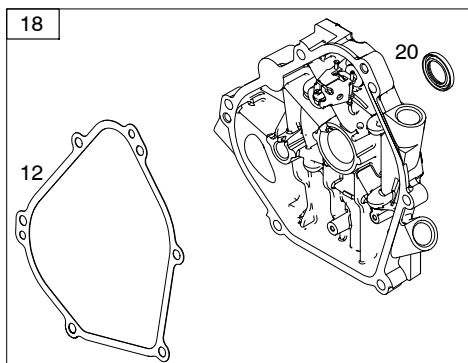
**1058 OPERATOR'S MANUAL**

**1036 EMISSIONS LABEL**

**1019 LABEL KIT**

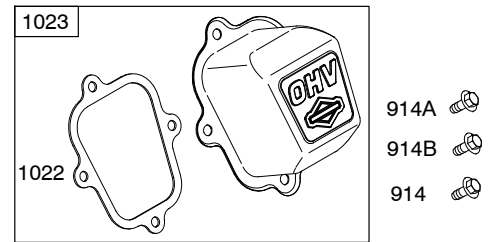
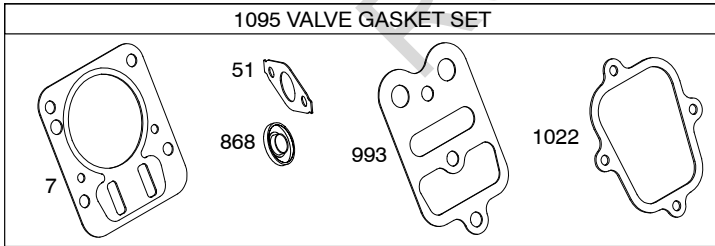
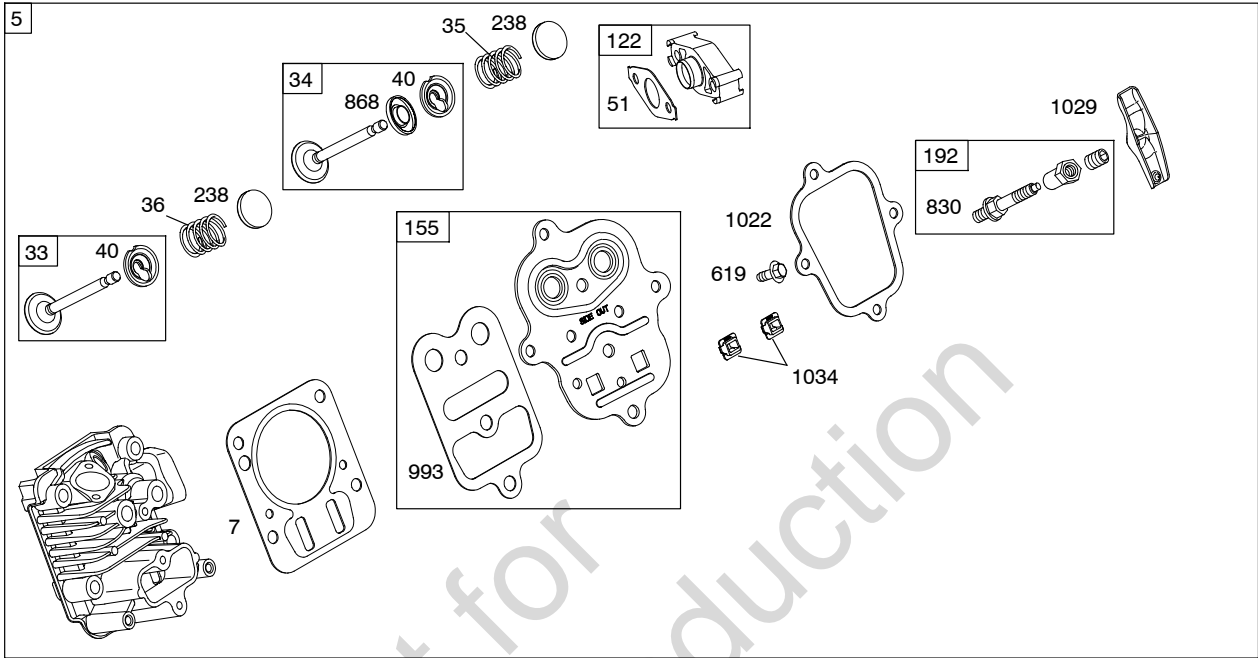


**3399-2** Illustrations cover a range of engines. Parts shown without corresponding text may not be used on your specific engine. Assemblies include all parts shown in frames. 10/03/2012

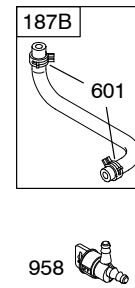
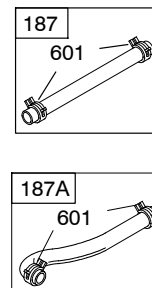
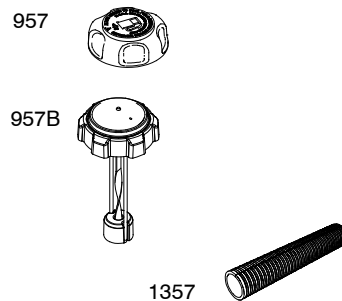
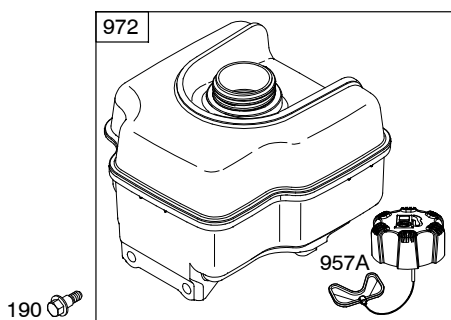
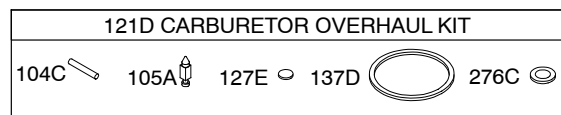
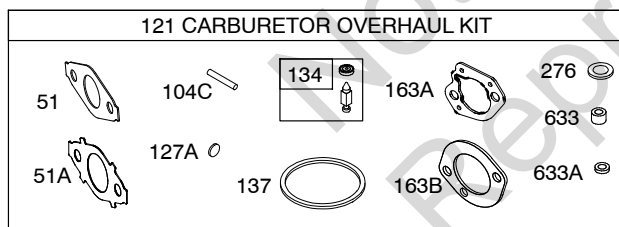
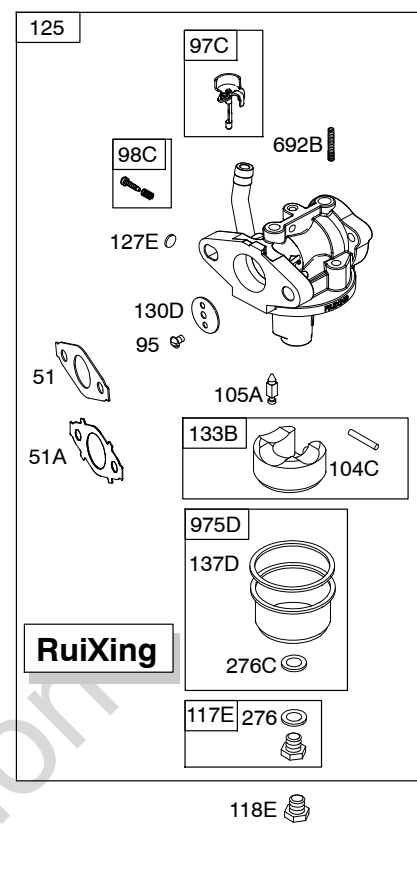
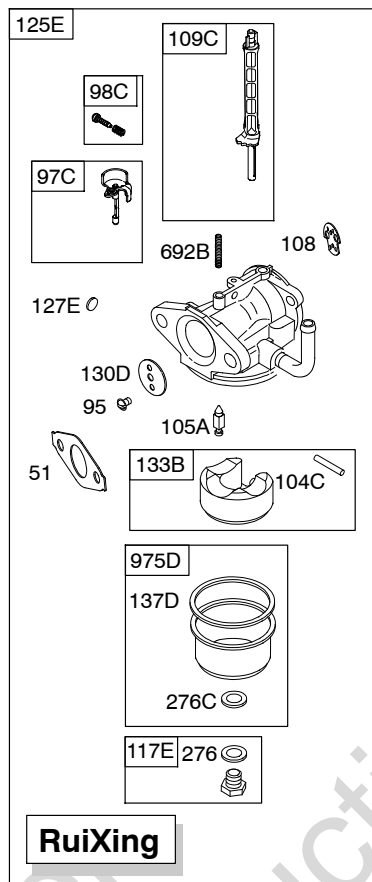
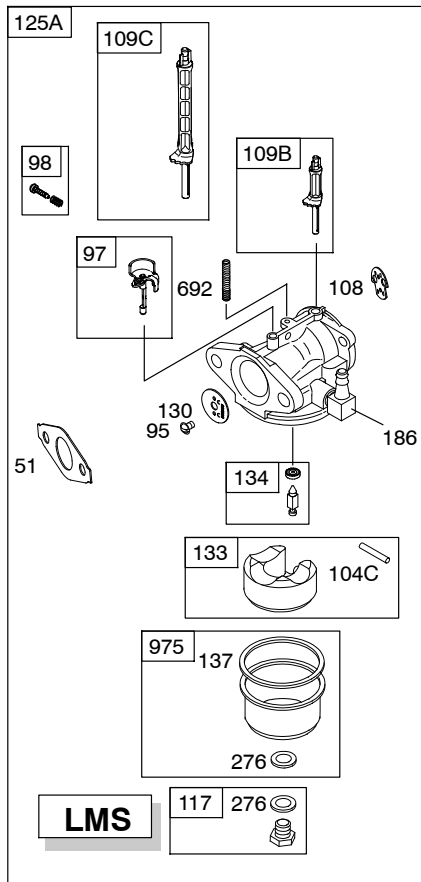


Not for  
Reproduction

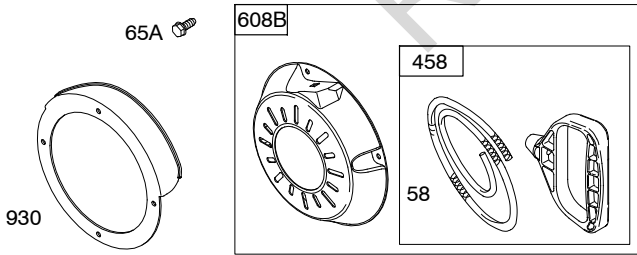
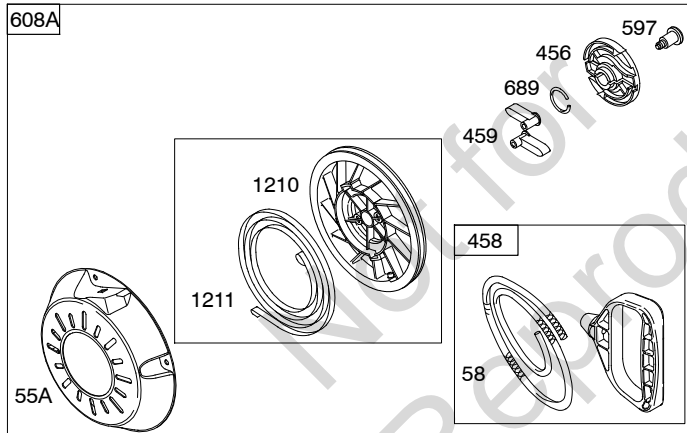
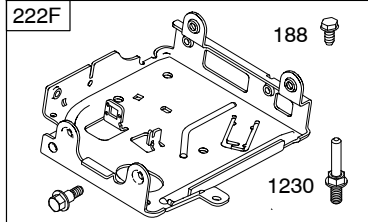
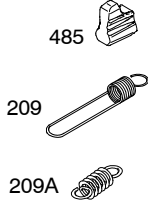
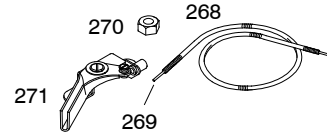
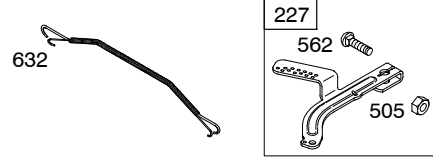
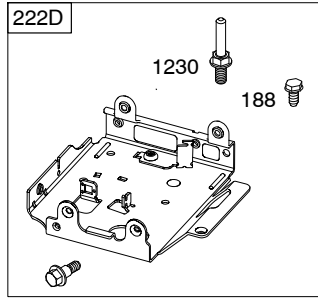
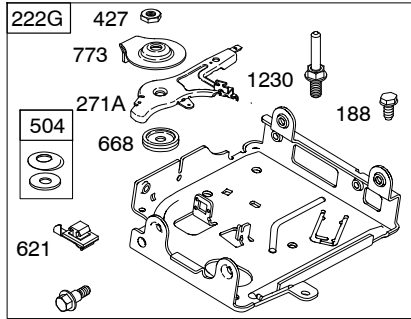
# 12D100



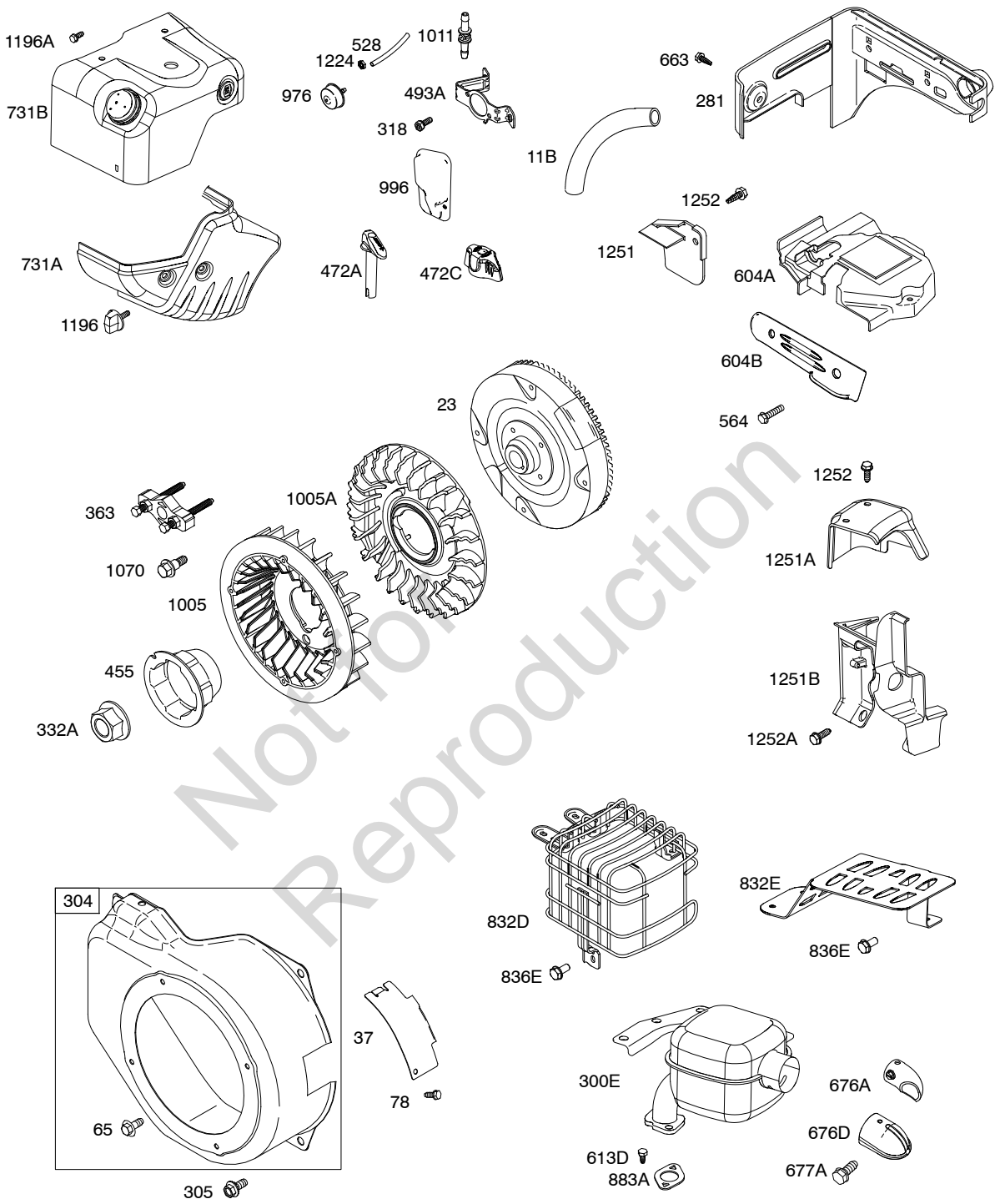
Illustrations cover a range of engines. Parts shown without corresponding text may not be used on your specific engine.  
 3399-4 Assemblies include all parts shown in frames. 10/03/2012



# 12D100

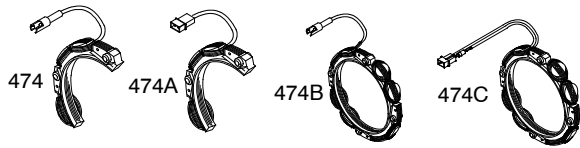
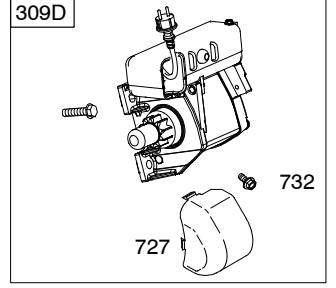
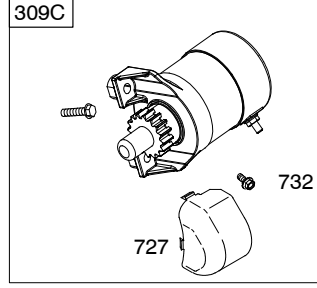
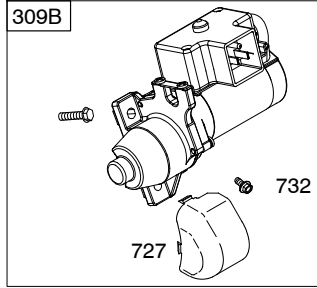
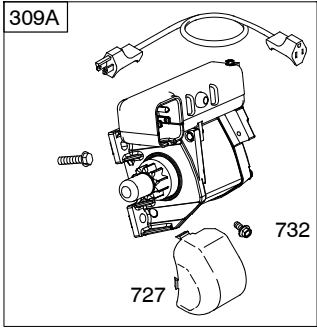


Illustrations cover a range of engines. Parts shown without corresponding text may not be used on your specific engine.  
3399-6 Assemblies include all parts shown in frames. 10/03/2012



Not for reproduction

# 12D100



1119



1054



526



813



503



442



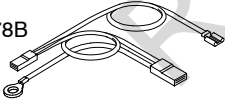
356L



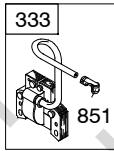
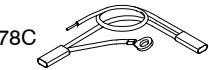
578A



578B



578C



334

Illustrations cover a range of engines. Parts shown without corresponding text may not be used on your specific engine.  
 3399-8 Assemblies include all parts shown in frames. 10/03/2012



# 12D100

REF. NO.	PART NO.	DESCRIPTION	REF. NO.	PART NO.	DESCRIPTION	REF. NO.	PART NO.	DESCRIPTION
1	699510	Cylinder Assembly	18A	699672	Cover-Crankcase	23	699516	Flywheel
2	796961	Kit-Bushing/Seal (Magneto Side)			Used on Type No(s). 0036, 0132, 0133, 0134, 0138, 0157, 0160, 0161, 0170.			----- <b>Note</b> ----- <b>798882</b> Flywheel
3	299819s	Seal-Oil (Magneto Side)						Used on Type No(s). 0003, 0149, 0151, 0153, 0154, 0159, 0161, 0162, 0163, 0168, 0172.
5	797439	Head-Cylinder (Metric)			----- <b>Note</b> ----- <b>699696</b> Cover-Crankcase			<b>798882</b> Flywheel (Used After Code Date 10043000). Used on Type No(s). 0008, 0009, 0017, 0018, 0019, 0036, 0100, 0117, 0118, 0124, 0126, 0130, 0131, 0132, 0133, 0134, 0135, 0138, 0141, 0142, 0143, 0146.
7	698210	Gasket-Cylinder Head			Used on Type No(s). 0003, 0131, 0135, 0136, 0139, 0140, 0152, 0153, 0154, 0162, 0171, 0172, 0174.			<b>699516</b> Flywheel (Used Before Code Date 10050100). Used on Type No(s). 0008, 0009, 0017, 0018, 0019, 0036, 0100, 0117, 0118, 0124, 0126, 0130, 0131, 0132, 0133, 0134, 0135, 0138, 0141, 0142, 0143, 0146.
11B	695745	Tube-Breather						
12	699485	Gasket-Crankcase						
13	699482	Screw (Cylinder Head)						
15	691686	Plug-Oil Drain						
15B	695757	Plug-Oil Drain						
16	797070	Crankshaft	18C	699677	Cover-Crankcase			
		----- <b>Note</b> ----- <b>797074</b> Crankshaft Used on Type No(s). 0111. <b>797072</b> Crankshaft Used on Type No(s). 0036, 0133, 0134, 0157, 0160, 0170. <b>797077</b> Crankshaft Used on Type No(s). 0008, 0139, 0140, 0152, 0153, 0154, 0171, 0172, 0174, 0940. <b>799047</b> Crankshaft Used on Type No(s). 0003, 0135, 0136, 0162. <b>797075</b> Crankshaft Used on Type No(s). 0009, 0019.			Used on Type No(s). 0018, 0110, 0111, 0114, 0115, 0116, 0117.			
			20	692550	Seal-Oil (PTO Side)			
			20A	691952	Seal-Oil (PTO Side) (Auxiliary Drive)			
			21	281658s	Cap-Oil Fill			
			22	799318	Screw (Crankcase Cover/Sump)			
17	798538	Bearing-Ball				24	796335	Key-Flywheel
18	699804	Cover-Crankcase Used on Type No(s). 0005, 0007, 0008, 0009, 0017, 0019, 0100, 0112, 0113, 0118, 0119, 0120, 0121, 0122, 0124, 0125, 0126, 0127, 0128, 0130, 0137, 0141, 0142, 0143, 0145, 0146, 0147, 0148, 0149, 0150, 0151, 0155, 0158, 0159, 0163, 0164, 0166, 0167, 0168, 0173, 0177, 0940.				25	795429	Piston Assembly (Standard) ----- <b>Note</b> ----- <b>799064</b> Piston Assembly (.020" Oversize)

Illustrations cover a range of engines. Parts shown without corresponding text may not be used on your specific engine.  
3399-9 Assemblies include all parts shown in frames. 10/03/2012

# 12D100

REF. NO.	PART NO.	DESCRIPTION	REF. NO.	PART NO.	DESCRIPTION	REF. NO.	PART NO.	DESCRIPTION
26	791969	Ring Set (Standard) (Used After Code Date 05060600).	95	691636	Screw (Throttle Valve)	125A	794587	Carburetor (Used Before Code Date 10050100).
		----- Note -----	97	690024	Shaft-Throttle			----- Note -----
	499631	Ring Set (Standard) (Used Before Code Date 05060700).	97C	797628	Shaft-Throttle			794587 Carburetor (Used After Code Date 09110900 and Before Code Date 10050100). Used on Type No(s). 0133.
	791324	Ring Set (.020" Oversize) (Used After Code Date 05060600).	98	398185	Kit-Idle Speed			794587 Carburetor (Used After Code Date 09081900 and Before Code Date 09082400). Used on Type No(s). 0133.
	692786	Ring Set (.020" Oversize) (Used Before Code Date 05060700).	98C	797156	Kit-Idle Speed			794587 Carburetor (Used After Code Date 09081200 and Before Code Date 09081400). Used on Type No(s). 0133.
27	691866	Lock-Piston Pin	104C	797622	Pin-Float Hinge			794587 Carburetor (Used After Code Date 09080200 and Before Code Date 09080500). Used on Type No(s). 0133.
28	499423	Pin-Piston	105A	797139	Valve-Float Needle			794587 Carburetor (Used After Code Date 09082300 and Before Code Date 09111000). ----- Note -----
29B	798813	Rod-Connecting	108	796993	Valve-Choke			798917 Carburetor (Used After Code Date 09082300 and Before Code Date 09111000). Used on Type No(s). 0133.
30	791584	Dipper-Connecting Rod	109C	791954	Shaft-Choke			798917 Carburetor (Used After Code Date 09081300 and Before Code Date 09082000). Used on Type No(s). 0133.
32	691664	Screw (Connecting Rod)	109B	695729	Shaft-Choke			798917 Carburetor (Used After Code Date 09081300 and Before Code Date 09082000). Used on Type No(s). 0133.
32A	695759	Screw (Connecting Rod)	117	690048	Jet-Main (Standard)			798917 Carburetor (Used After Code Date 09082300 and Before Code Date 09111000). ----- Note -----
32B	791784	Screw (Connecting Rod)	117E	798930	Jet-Main (Standard)			798917 Carburetor (Used After Code Date 09082300 and Before Code Date 09111000). Used on Type No(s). 0133.
33	499642	Valve-Exhaust	118	498977	Jet-Main (High Altitude)			798917 Carburetor (Used After Code Date 09082300 and Before Code Date 09111000). Used on Type No(s). 0133.
34	795443	Valve-Intake	118E	798661	Jet-Main (High Altitude)			798917 Carburetor (Used After Code Date 09082300 and Before Code Date 09111000). Used on Type No(s). 0133.
35	691304	Spring-Valve (Intake)	121	792006	Kit-Carburetor Overhaul (High Altitude)			798917 Carburetor (Used After Code Date 09082300 and Before Code Date 09111000). Used on Type No(s). 0133.
36	691304	Spring-Valve (Exhaust)	121D	797634	Kit-Carburetor Overhaul			798917 Carburetor (Used After Code Date 09082300 and Before Code Date 09111000). Used on Type No(s). 0133.
37	699661	Guard-Flywheel	122	795643	Spacer-Carburetor (Black)			798917 Carburetor (Used After Code Date 09082300 and Before Code Date 09111000). Used on Type No(s). 0133.
40	692194	Retainer-Valve	125	593357	Carburetor (Used After Code Date 10043000).	125E	798917	Carburetor (Used After Code Date 09082300 and Before Code Date 09111000). ----- Note -----
45	690977	Tappet-Valve						798917 Carburetor (Used After Code Date 09082300 and Before Code Date 09111000). Used on Type No(s). 0133.
46	693404	Camshaft						798917 Carburetor (Used After Code Date 09082300 and Before Code Date 09111000). Used on Type No(s). 0133.
46A	695285	Camshaft						798917 Carburetor (Used After Code Date 09082300 and Before Code Date 09111000). Used on Type No(s). 0133.
		----- Note -----						798917 Carburetor (Used After Code Date 09082300 and Before Code Date 09111000). Used on Type No(s). 0133.
	694831	Crankshaft Used on Type No(s). 0018.						798917 Carburetor (Used After Code Date 09082300 and Before Code Date 09111000). Used on Type No(s). 0133.
51	692555	Gasket-Intake						798917 Carburetor (Used After Code Date 09082300 and Before Code Date 09111000). Used on Type No(s). 0133.
51A	791718	Gasket-Intake						798917 Carburetor (Used After Code Date 09082300 and Before Code Date 09111000). Used on Type No(s). 0133.
55A	696710	Housing-Rewind Starter						798917 Carburetor (Used After Code Date 09082300 and Before Code Date 09111000). Used on Type No(s). 0133.
58	693389	Rope-Starter (Cut To Required Length)						798917 Carburetor (Used After Code Date 09082300 and Before Code Date 09111000). Used on Type No(s). 0133.
65	699228	Screw (Rewind Starter)						798917 Carburetor (Used After Code Date 09082300 and Before Code Date 09111000). Used on Type No(s). 0133.
65A	699851	Screw (Rewind Starter)						798917 Carburetor (Used After Code Date 09082300 and Before Code Date 09111000). Used on Type No(s). 0133.
78	699205	Screw (Flywheel Guard)						798917 Carburetor (Used After Code Date 09082300 and Before Code Date 09111000). Used on Type No(s). 0133.

Illustrations cover a range of engines. Parts shown without corresponding text may not be used on your specific engine.  
3399-10 Assemblies include all parts shown in frames. 10/03/2012



# 12D100

REF. NO.	PART NO.	DESCRIPTION	REF. NO.	PART NO.	DESCRIPTION	REF. NO.	PART NO.	DESCRIPTION
<b>209</b>	<b>692571</b>	Spring-Governor ----- <b>Note</b> ----- <b>693206</b> Spring-Governor Used on Type No(s). 0003, 0005, 0007, 0145, 0147, 0149, 0150, 0151, 0155, 0158, 0159, 0162, 0163, 0164, 0166, 0167, 0168, 0173, 0177. <b>693206</b> Spring-Governor (Used After Code Date 10043000). Used on Type No(s). 0100, 0116, 0117, 0118, 0122, 0124, 0125, 0126, 0127, 0128, 0130, 0137, 0141, 0142, 0143. <b>692571</b> Spring-Governor (Used Before Code Date 10050100). Used on Type No(s). 0100, 0116, 0117, 0118, 0122, 0124, 0125, 0126, 0127, 0128, 0130, 0137, 0141, 0142, 0143. <b>693206</b> Spring-Governor (Used After Code Date 10042200). Used on Type No(s). 0135, 0136. <b>692571</b> Spring-Governor (Used Before Code Date 10042300). Used on Type No(s). 0135, 0136.	<b>222G</b>	<b>793109</b>	Bracket-Control	<b>309A</b>	<b>796238</b>	Motor-Starter ----- <b>Note</b> ----- <b>796238</b> Motor-Starter (Used Before Code Date 10050100). Used on Type No(s). 0017, 0018, 0019, 0100, 0117, 0118, 0126, 0130, 0131, 0133, 0138, 0142, 0146. <b>796328</b> Motor-Starter Used on Type No(s). 0136.
			<b>227</b>	<b>794367</b>	Lever-Governor Control			
			<b>238</b>	<b>691300</b>	Cap-Valve	<b>309B</b>	<b>798884</b>	Motor-Starter Used on Type No(s). 0149, 0151, 0153, 0154, 0159, 0161, 0163, 0164, 0172. ----- <b>Note</b> ----- <b>798884</b> Motor-Starter (Used After Code Date 10043000). Used on Type No(s). 0017, 0018, 0019, 0100, 0117, 0118, 0126, 0130, 0131, 0133, 0138, 0142, 0146. <b>799038</b> Motor-Starter Used on Type No(s). 0003, 0135, 0136, 0162. <b>799525</b> Muffler Used on Type No(s). 0007, 0008, 0009, 0017, 0018, 0019, 0036, 0139, 0140, 0146, 0148, 0152, 0153, 0154, 0171, 0172, 0174.
			<b>268</b>	<b>691025</b>	Control Wire Casing (Cut to Required Length)			
			<b>269</b>	<b>691026</b>	Control Wire (Cut to Required Length)	<b>309C</b>	<b>799330</b>	Motor-Starter Used on Type No(s). 0147.
			<b>270</b>	<b>691027</b>	Nut (Control Wire Casing)	<b>309D</b>	<b>699786</b>	Motor-Starter Used on Type No(s). 0005, 0113, 0114, 0116, 0119, 0125, 0128, 0143, 0145, 0148, 0150, 0152, 0157, 0158, 0166, 0167, 0170, 0171, 0173, 0174, 0177.
			<b>271</b>	<b>691028</b>	Lever-Control			
			<b>271A</b>	<b>698038</b>	Lever-Control			
			<b>276</b>	<b>271716</b>	Washer-Sealing			
			<b>276C</b>	<b>797632</b>	Washer-Sealing			
			<b>281</b>	<b>793122</b>	Panel-Control			
			<b>287</b>	<b>699234</b>	Screw (Dipstick Tube)			
			<b>300E</b>	<b>798173</b>	Muffler (Used After Code Date 05101800). ----- <b>Note</b> ----- <b>790548</b> Muffler (Used Before Code Date 05101900). <b>799048</b> Muffler Used on Type No(s). 0003, 0135, 0136, 0162. <b>799525</b> Muffler Used on Type No(s). 0007, 0008, 0009, 0017, 0018, 0019, 0036, 0139, 0140, 0146, 0148, 0152, 0153, 0154, 0171, 0172, 0174.			
			<b>304</b>	<b>699598</b>	Housing-Blower			
			<b>305</b>	<b>699481</b>	Screw (Blower Housing)			
			<b>306A</b>	<b>695710</b>	Shield-Cylinder			
			<b>307</b>	<b>699483</b>	Screw (Cylinder Shield)			
			<b>307A</b>	<b>699234</b>	Screw (Cylinder Shield)			
			<b>307B</b>	<b>790557</b>	Screw (Cylinder Shield)			
<b>209A</b>	<b>691278</b>	Spring-Governor						
<b>219</b>	<b>693578</b>	Gear-Governor						
<b>220</b>	<b>691724</b>	Washer (Governor Gear)						
<b>222D</b>	<b>790549</b>	Bracket-Control (Used Before Code Date 06051500).						
<b>222F</b>	<b>793100</b>	Bracket-Control (Used After Code Date 06051400).						

Illustrations cover a range of engines. Parts shown without corresponding text may not be used on your specific engine.  
3399-12 Assemblies include all parts shown in frames. 10/03/2012

REF. NO.	PART NO.	DESCRIPTION	REF. NO.	PART NO.	DESCRIPTION	REF. NO.	PART NO.	DESCRIPTION
318	798649	Screw (Mounting Bracket) (Metric) ----- Note ----- 690370 Screw (Mounting Bracket) (SAE)	455	591302	Cup-Flywheel ----- Note ----- 797431 Cup-Flywheel Used on Type No(s). 0003, 0005, 0007, 0008, 0009, 0017, 0018, 0019, 0036, 0100, 0116, 0117, 0127, 0128, 0130, 0131, 0132, 0135, 0136, 0137, 0138, 0139, 0140, 0141, 0142, 0143, 0145, 0147, 0148, 0149, 0150, 0151, 0152, 0153, 0154, 0155, 0157, 0158, 0159, 0160, 0161, 0162, 0163, 0164, 0166, 0167, 0168, 0170, 0171, 0172, 0173, 0174, 0177. 797431 Cup-Flywheel (Used After Code Date 09050500). Used on Type No(s). 0118, 0119, 0120, 0122, 0124, 0125, 0126, 0130, 0133, 0134.	474	793640	Alternator
332A	591988	Nut (Flywheel)				474A	797090	Alternator Used on Type No(s). 0003, 0127, 0130, 0135, 0136, 0138, 0141, 0142, 0149, 0150, 0155, 0158, 0160, 0161, 0162, 0164, 0166, 0168, 0170, 0177.
333	796964	Armature-Magneto				474B	698314	Alternator Used on Type No(s). 0159, 0163, 0167.
334	699477	Screw (Magneto Armature)				474C	696742	Alternator Used on Type No(s). 0005.
337	491055s	Plug-Spark (Resistor) ----- Note ----- 691043 Plug-Spark (EMS) 793541 Plug-Spark (EMS Platinum)				485	695755	Knob-Control
347	795333	Switch-Rocker				493A	695744	Bracket-Mounting
356C	695630	Wire-Stop				493B	691177	Bracket-Mounting
356L	790552	Wire-Stop				501	698315	Regulator
358	791797	Set-Engine Gasket				503	796239	Strap-Starter
363	19203	Puller-Flywheel				504	695383	Washer Set-Friction
365	699484	Screw (Carburetor)				505	691251	Nut (Governor Control Lever)
383	19576s	Wrench-Spark Plug (Oil Fill Bracket)						
415	693463	Plug						
427	798458	Nut (Control Bracket) (Metric) ----- Note ----- 694255 Nut (Control Bracket) (SAE)						
442	790282	Screw (Starter Strap)						
			456	692299	Plate-Pawl Friction			
			458	699334	Kit Handle/Rope			
			459	281505	Pawl-Ratchet			
			472A	790553	Knob-Choke Shaft			
			472C	791948	Knob-Choke Shaft			

# 12D100

REF. NO.	PART NO.	DESCRIPTION	REF. NO.	PART NO.	DESCRIPTION	REF. NO.	PART NO.	DESCRIPTION
523	693618	Dipstick ----- Note ----- 798469 Dipstick Used on Type No(s). 0005, 0127, 0137, 0138, 0141, 0142, 0143, 0145, 0147, 0148, 0149, 0150, 0151, 0155, 0157, 0158, 0159, 0160, 0161, 0163, 0164, 0166, 0167, 0168, 0170, 0173, 0170. 798469 Dipstick (Used After Code Date 10022100). Used on Type No(s). 0100, 0116, 0117, 0118, 0119, 0120, 0121, 0122, 0124, 0125, 0126, 0128, 0130, 0131, 0132, 0133, 0134, 0940. Dipstick (Used Before Code Date 10022200). (Not Serviced Separate. Service With Dipstick/Tube Assembly Reference #847). Used on Type No(s). 0100, 0116, 0117, 0118, 0119, 0120, 0121, 0122, 0124, 0125, 0126, 0128, 0130, 0131, 0132, 0133, 0134, 0940.	578A	790481	Wire Assembly	613D	791972	Screw (Muffler)
			578B	791956	Wire Assembly	615	692576	Retainer-Governor Shaft
			578C	794819	Wire-Stop	616	692547	Crank-Governor
			597	691696	Screw (Pawl Friction Plate)	619	699481	Screw (Cylinder Head Plate)
			598	220624	Shim-End Play	621	692310	Switch-Stop
			601	791850	Clamp-Hose	632	692653	Spring/Link- Mechanical Governor
			604A	793134	Cover-Control	633	693867	Seal-Choke/Throttle Shaft
			604B	790473	Cover-Control	633A	691321	Seal-Choke/Throttle Shaft
			608A	699335	Starter-Rewind ----- Note ----- 699335 Starter- Rewind (Used Before Code Date 09050600). Used on Type No(s). 0118, 0119, 0120, 0122, 0124, 0125, 0126, 0130, 0133, 0134.	635	692076	Boot-Spark Plug
						635A	798619	Boot-Spark Plug
			608B	797430	Starter-Rewind Used on Type No(s). 0005, 0007, 0008, 0009, 0017, 0018, 0019, 0036, 0100, 0116, 0117, 0127, 0128, 0130, 0131, 0132, 0135, 0136, 0137, 0138, 0139, 0140, 0141, 0142, 0143, 0145, 0146, 0147, 0148, 0149, 0150, 0151, 0152, 0153, 0154, 0155, 0157, 0158, 0159, 0160, 0161, 0164, 0166, 0167, 0168, 0173.	663	699854	Screw (Control Panel)
						668	694257	Spacer
						676A	697816	Deflector-Muffler
						676D	794213	Deflector-Muffler
						677A	699776	Screw (Muffler Deflector)
						689	691855	Spring-Friction
						692	690572	Spring-Detent
						692B	797624	Spring-Detent
						718	690959	Pin-Locating
						727	698039	Cover-Starter Drive
						731A	794589	Hood-Snow
						731B	798456	Hood-Snow
						732	699200	Screw (Starter Drive Cover)
						741	695087	Gear-Timing
						742	692564	Retainer-E Ring
						746	790278	Gear-Idler
						773	694258	Retainer
						813	690635	Clamp
						830	797441	Stud-Rocker Arm (Metric) (Used After Code Date 09061700). ----- Note ----- 694544 Stud-Rocker Arm (SAE) (Used Before Code Date 09061800).
524	281370	Seal-Dipstick Tube						
526	690297	Screw (Regulator)						
528	793006	Hose-Primer						
552	692346	Bushing-Governor Crank						
562	691119	Bolt (Governor Control Lever)						
564	699854	Screw (Control Cover)						

Illustrations cover a range of engines. Parts shown without corresponding text may not be used on your specific engine.

REF. NO.	PART NO.	DESCRIPTION	REF. NO.	PART NO.	DESCRIPTION	REF. NO.	PART NO.	DESCRIPTION
832D	793193	Guard-Muffler ----- Note ----- 799028 Guard-Muffler Used on Type No(s). 0136.	930	696709	Guard-Rewind	1034	691343	Guide-Push Rod
832E	797003	Guard-Muffler	957	792647	Cap-Fuel Tank (Fresh Start) ----- Note ----- 795027 Cap-Fuel Tank (Text Free)	1036		Label-Emissions (Available From An Authorized Briggs & Stratton Service Dealer)
836E	699854	Screw (Muffler Guard)	957A	799719	Cap-Fuel Tank (Carbon In Cap)	1054	280275	Tie-Cable
842	691031	Seal-O Ring (Dipstick Tube)	957B	698109	Cap-Fuel Tank	1058	279128	Operator's Manual
847	693617	Dipstick/Tube Assembly ----- Note ----- 798468 Dipstick/Tube Assembly Used on Type No(s). 0005, 0100, 0116, 0117, 0118, 0119, 0120, 0121, 0122, 0124, 0125, 0126, 0127, 0128, 0130, 0131, 0132, 0133, 0134, 0137, 0138, 0141, 0142, 0143, 0145, 0147, 0148, 0149, 0150, 0151, 0155, 0157, 0158, 0159, 0160, 0161, 0163, 0164, 0166, 0167, 0168, 0170, 0173, 0177, 0940.	958	698180	Valve-Fuel Shut Off	1070	699201	Screw (Flywheel Fan)
851	493880	Terminal-Spark Plug	972	799863	Tank-Fuel	1095	791798	Gasket Set-Valve
868	795440	Seal-Valve	975	796611	Bowl-Float	1119	699772	Screw (Alternator)
883A	691893	Gasket-Exhaust	975D	798931	Bowl-Float	1196	798785	Screw (Snow Hood)
892	791944	Switch-Key	976	793382	Primer-Carburetor (Used After Code Date 06110500). ----- Note ----- 790221 Primer- Carburetor (Used Before Code Date 06110600).	1196A	699854	Screw (Snow Hood)
892A	798182	Switch-Key	990	794696	Key-Set	1210	498144	Pulley/Spring Assembly (Pulley)
914	699481	Screw (Rocker Cover) (Bottom)	990A	798177	Key-Set	1211	498144	Pulley/Spring Assembly (Spring)
914A	797444	Screw (Rocker Cover) (Quantity 1 Top Or Center) (Metric) (Used After Code Date 09061700). ----- Note ----- 692557 Screw (Top)(SAE) (Used Before Code Date 09061800).	993	694088	Gasket-Cylinder Head Plate	1224	696824	Nut (Carburetor Primer)
914B	697551	Screw (Rocker Cover) (Center) (SAE) (Used Before Code Date 09061800).	996	794614	Shield-Carburetor	1230	699847	Stud (Control Bracket)
			998	696683	Pipe-Oil (4" Long) ----- Note ----- 792928 Pipe-Oil (2 1/2" Long) 794701 Pipe-Oil (5" Long)	1251	696699	Shield-Snow
			1005	692592	Fan-Flywheel	1251A	796421	Shield-Snow
			1005A	794273	Fan-Flywheel	1251B	790556	Shield-Snow
			1011	794544	Tube-Vent	1252	699234	Screw (Snow Shield)
			1019	792211	Kit-Label	1252A	699491	Screw (Snow Shield)
			1022	691890	Gasket-Rocker Cover	1319	794467	Label-Warning
			1023	499924	Cover-Rocker Arm	1319A	797669	Label-Warning
			1026	790287	Rod-Push	1330	272147	Repair Manual
			1029	797443	Arm-Rocker (Metric) (Used After Code Date 09061700). ----- Note ----- 691230 Arm-Rocker (SAE) (Used Before Code Date 09061800).	1357	794700	Sleeve-Fuel Line

Not for  
Reproduction

