

## User Manual for Skim Mini Portable

### Technical Features (Band width 30 mm)

Power Supply:	12 V DC 1200 mA built in battery (recharger included)
Capacity:	Max. 3,0 litres/oil pr. hour
Max temp.:	50°C / 122°F (bath temperature)
Dimensions & weight:	180 x 130 x 120 mm · 1,10 kg.
Reservoir capacity:	0,6 litres
Band lengths (mm.):	400 – 2000 mm (100 mm interval). Special requests for bands can of course be made.

Thank you for purchasing this oil skimmer. Skim Mini Portable is a quality product made in electro polished stainless steel.

Unpack the oil skimmer and check the parts according to the following list:

- 1 Oil Skimmer
- 1 Battery charger
- 1 Heavy weight roll
- 1 band (length as ordered)

### Before use charge the battery for at least 16 hours.

To get the best life out of the battery pack check the following guidelines:

- Only recharge the battery when the Oil Skimmer has decreased speed to almost stopping.
- Do not let the Oil Skimmer run until the battery is completely exhausted or allow the battery to discharge fully when not in use.
- Always fully recharge the battery i.e. for approximately 16 hours.

Failure to observe this procedure will shorten the life of the battery. Observe these simple steps and your battery-pack will last for many years (approximately 1000 recharge cycles).

### Using the Oil Skimmer.

When the battery is fully charged, place the band around the pulling roller with the weight in the bottom of the band and ensure that the Oil Skimmer runs in a *clockwise* Direction with the join in the band running gently over the oil scraper without catching.

(Like the drawing on the right)

Put the unit in a convenient position on the sump to allow the skimming band to break the surface of the fluid. Press the on/off switch on the top of the unit and the oil removing process will begin. The tramp oil removed from the sump will funnel into the Oil Skimmer reservoir in the base of the unit, which should be emptied regularly.

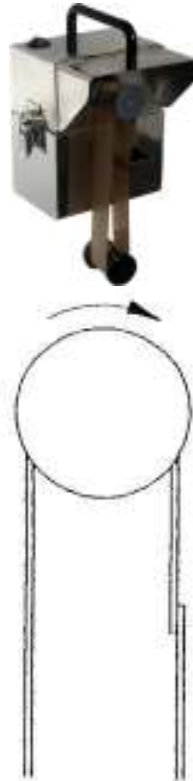
Simply unclip the two snap locks on the side of the reservoir and remove the motor box (the top). Empty into a suitable receptacle, replace on to the Skimmer and you are ready to continue.

### Maintenance

Check the band every 6 months and replace if there are any holes or if it worn out. See the spare parts list for the correct part number.

Apart from changing the band, the Oil Skimmer will not need additional maintenance and will give many years trouble free operation.

Spare parts can be obtained from your supplier.

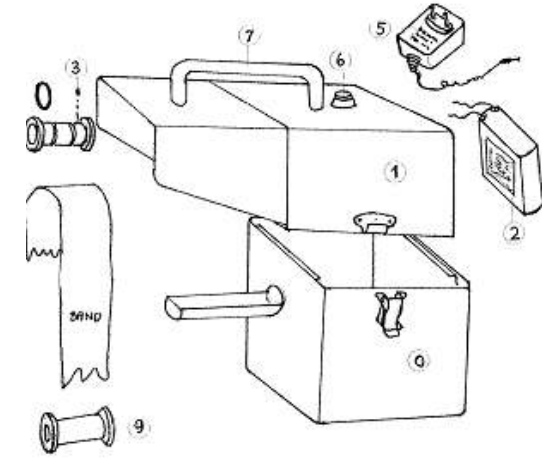


### Band (total length)

400 mm  
500 mm  
600 mm  
700 mm  
800 mm  
900 mm  
1000 mm  
1100 mm  
1200 mm  
1300 mm  
1400 mm  
1500 mm  
1600 mm  
1700 mm  
1800 mm  
1900 mm  
2000 mm

### Item no.

30M 400  
30M 500  
30M 600  
30M 700  
30M 800  
30M 900  
30M 1000  
30M 1100  
30M 1200  
30M 1300  
30M 1400  
30M 1500  
30M 1600  
30M 1700  
30M 1800  
30M 1900  
30M 2000



For other band lengths, please contact your distributor or the factory

### Spare part

Spare part	Item no.
Oil reservoir (0)	4100
Motor/gearbox (1)	4101
Battery (2)	4102
Lock screw (3)	n/a
Pulling roll* (4)	4104
Battery recharger (5)	4105
On/off switch (6)	4106
Handle (7)	4107
Rubber ring (8)	4108
Heavy weight roll (9)	4109

\* Can only be replaced at the factory.

Declaration of conformity / CE Declaration.

We, **SSR-TRADE**, Sundparken 7, DK-3600 Frederikssund, declare under our sole responsibility that this products:

### Oil Skimmer Skim Mini Portable

to which this declaration relates is in conformity with the following standards:

**EN 292-1:91, EN 292-2:91 & EN 60742:88**

following the provisions of **89/392/EEC & 73/23/EEC** directives.

This oil skimmer is CE certified

### Warning!

Never use the Oil Skimmer in explosive environments