

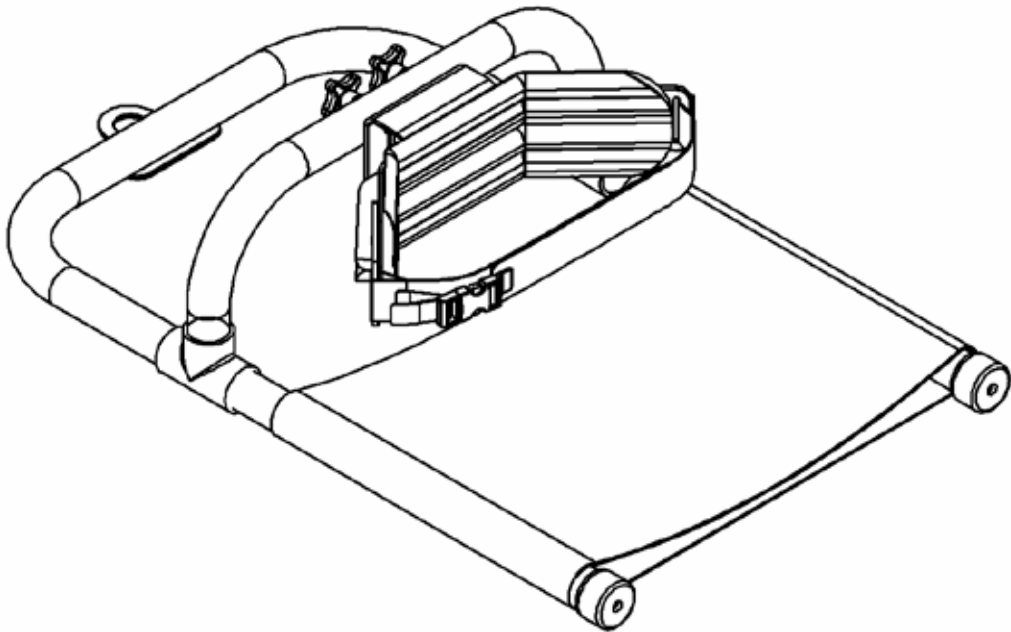
R82[®] 

Minnow TM **Bath Support**

English user manual

GB CONTENTS

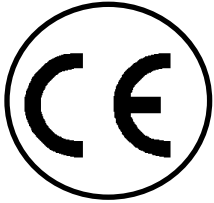
Bronco	3
Safety	4
Guarantee.....	4
Tools	4
Washing.....	4
Maintenance	4
Ready for use	5
Height adjustment of seat and body support.....	6
Angle adjustment of the body support.....	6
Brake	7
Directional stabilizer	7
Abdominal pad.....	8
Rear support.....	8
Head support.....	9
Handbrake	10
Armrest.....	10
Side supports.....	11
Helper's handle	11
Vertical hand grips, mounted at the ends	12
Vertical hand grips, mounted in the middle.....	13
Product identification	14
Measurements.....	15
Technical data.....	16
Producer	16
Distributor	16



GB MINNOW

Thank you for purchasing the Minnow Bath Support from Snug Seat. When used properly the Minnow should provide years of convenient bathing assistance.


It is very important to read all instructions before using this product. Keep these instructions for future reference, as they contain vital safety and use information.





GB SAFETY


The Minnow has earned the CE-mark. This certifies that it meets all relevant European safety requirements.


The durability of this product is 7 years when it is used on a daily basis. Hereafter we recommend that the product should be renovated (by R82 personnel) to extend the lifetime.

 Remove the CE-mark, when re-building the product or when using other than original R82 spare parts and fittings.

 To prevent burns, set your hot water heater to 120 degrees Fahrenheit or lower. Always check the water temperature before placing your child in the tub. Swirl the tub water around with your hand to eliminate any hot spots.

 Never leave your child unattended in this product. Ensure permanent supervision by an adult. Incorrect use of the Minnow, may cause serious injury on the user. Take care that all the fixations and adjustments are placed and fitted correctly and check it on a regular basis.


 Children have DROWNED while using infant bathing devices. Since children can drown in as little as 1 inch (2.5 cm) of water, ALWAYS bathe child using as little water as necessary.


 • ALWAYS keep child within adult's reach.
• DO NOT allow other children to substitute for an adult.
• DO NOT carry child in this product.
• ALWAYS test water temperature before placing child in this product.
• DO NOT use this product if any parts are missing or broken.


GB GUARANTEE

Notification of defects will be received at R82 A/S within two years. The Minnow is guaranteed for 12 months. The guarantee is only valid when using original R82 spare parts and fittings. All special adjustments must be made by R82. R82 will not be held responsible for damage or injury caused by use of non-original parts or repairs made by a non-authorized R82 person.

GB MAINTENANCE

 Clean the frame on a regular basis. Do not use any cleaning materials containing chlorine or methylated spirit.

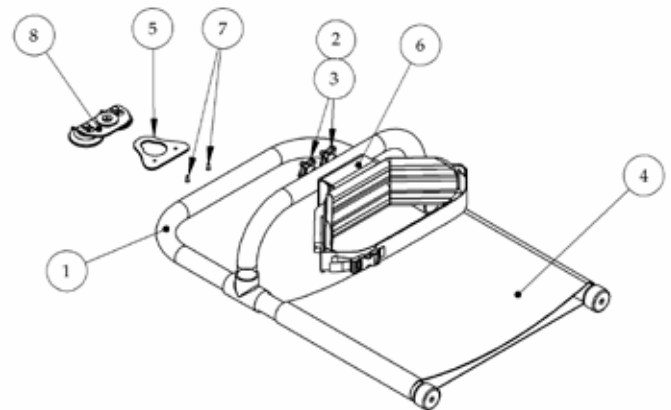
 Adjustments which are not described in this manual, must only be made by authorized R82 personnel.

 Machine wash warm and tumble dry the removable mesh seat pad. Use non-chlorine bleach as needed. Bleach will yellow the cloth and accelerate deterioration especially if soaked. Use a mild detergent to clean the PVC frame and trunk pad.

GB PARTS INVENTORY

! Before each use please inspect this product for damaged hardware, loose parts, missing pieces, or sharp edges. Do not use this product if any parts are missing or broken.

Item Number	Quantity Provided	Description
1	1	Bath Support PVC Frame
2	2	¼-20 x 2.5" SS Carriage Bolt
3	2	Four-Arm Knob, blue
4	1	Bath Support Pad Wrap
5	1	Frame Hanger plate
6	1	Back Support assembly Complete
7	2	#8 x ½" SS Sheet Metal Screw
8	1	Bath Support Hanger Wall plate assembly



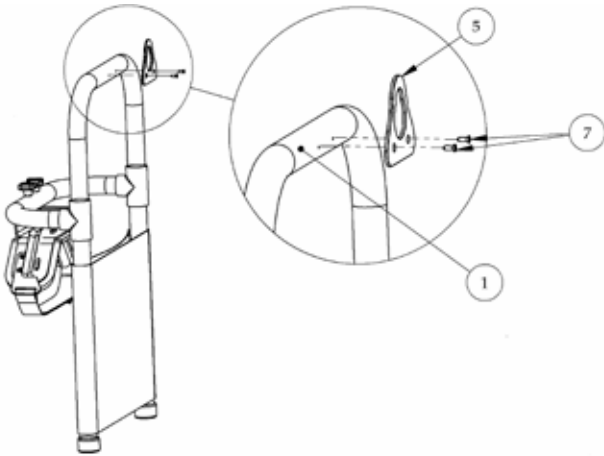
GB BATH SUPPORT HANGER

Assembly

The Minnow Bath Support comes with a hanger assembly for easy drying of the unit and convenient storage when not in use.

Before using the Minnow, you must assemble the frame hanger plate (5) to the pre-drilled PVC frame (1) using the stainless steel screws (7).

This assembly requires the use of a Phillips head screwdriver.



Use of Hanger

The Minnow Bath Support hanger wall plate assembly is provided with two large suction cups that adhere to many bathroom surfaces. Hanging the Minnow is a convenient way to speed drying of the unit and to store it when not in use.

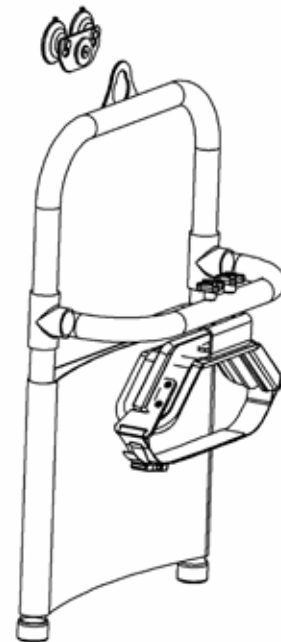


Pooled water can cause slippery surface conditions and increase the chances of falling in the bathroom. Never hang the Minnow in an area where water can accumulate and pool beneath it.

GB BACK SUPPORT ASSEMBLY

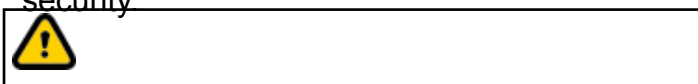
Adjustment

The Minnow Back Support assembly can be height adjusted for optimal fit. Simply loosen the blue plastic knobs (3), adjust the back support as needed, and tighten the blue knobs.

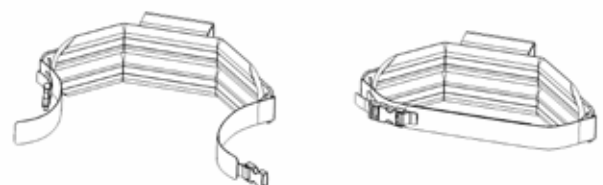
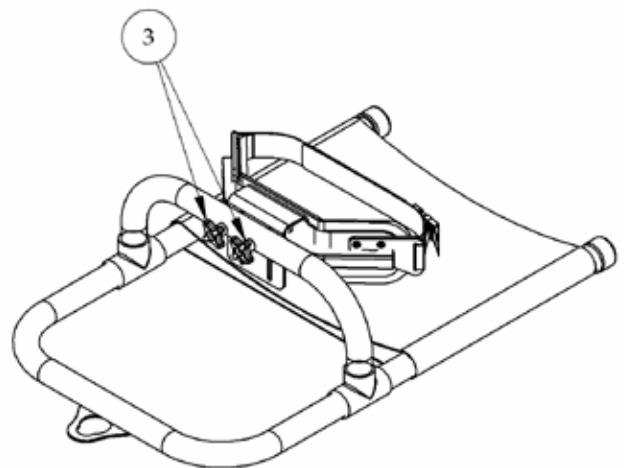


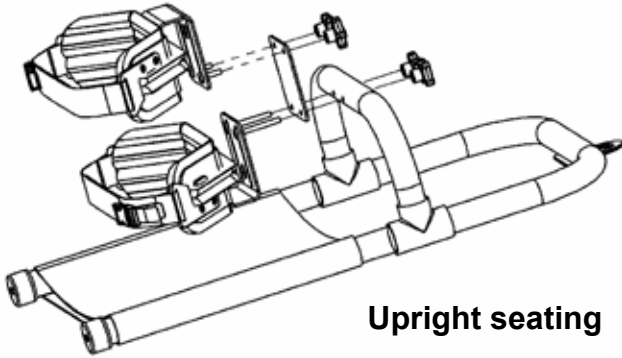
GB SAFETY TRUNK STRAP

The Safety Trunk Strap is provided to secure the user's trunk in the Minnow. The Safety Trunk Strap uses a hook and loop fastener for quick and easy closing and a safety buckle for added security.

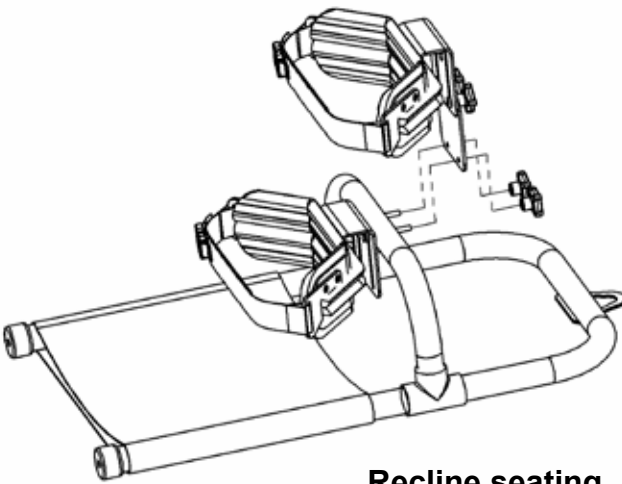


Always secure the safety buckle!





Upright seating



Recline seating

GB ADDITIONAL BACK SUPPORT

A second Back Support can be easily added to the Minnow to accommodate taller users.

Assembly

The Back Support is independently height adjustable and can be attached to the Minnow in-line with the standard back support (upright seating), or slightly behind the standard back (recline seating).

GB PRODUCT IDENTIFICATION

A) Serial number

The label is placed just next to the left rear wheel.

B) Manufacturer

The label is placed just next to the left rear wheel.

A



B



GB MEASUREMENTS

	Single back support	Dual back support
Seat width	35½ cm (14")	35½ cm (14")
Back support, inside width*	30½ cm (12")	30½ cm (12")
Back support, height range	19-26½ cm (7½-10½")	19-35 cm (7½-13¾")
Frame width	43 cm (17")	43 cm (17")
Frame depth	70 cm (27½")	70 cm (27½")
Product weight	2 kg (4,5 lb)	2,5 kg (5,4 lb)
* The back support is made of aluminium and can be mildly bent to adjust to different torso widths.		

GB TECHNICAL DATA

Frame: Chrome or powder lacquered steel

Upholstery: PUR (Polyurethane foam)

GB PRODUCER

R82 A/S
Parallevej 3
8751 Gedved
Denmark

GB DISTRIBUTOR

Please find your distributor on www.r82.com