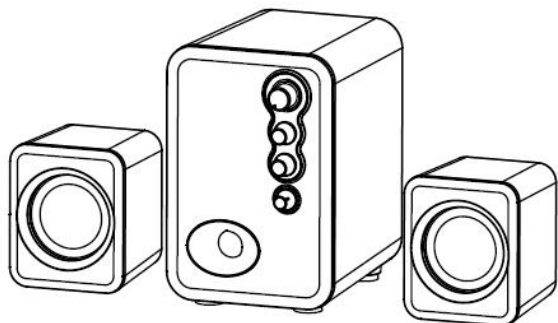


Q8 Multimedia Active Speaker System



Power supply

- power supply of this system is directly provided by USB / DC 5V.

Package Content

- Multimedia speakers 1 set
- User Manual 1pcs

Technical specification

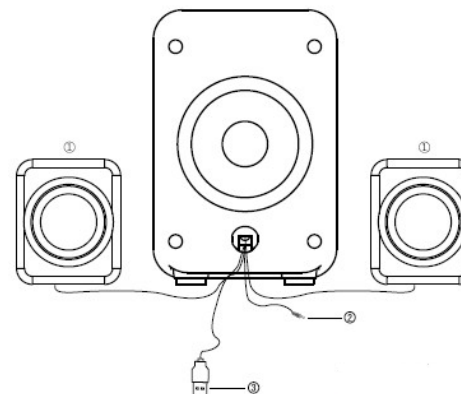
- Output: 9W(5W+2W*2)(RMS)
- Impedance: Subwoofer: 2 OHM Satellite: 4 OHM
- Fre. Response: Subwoofer: 30HZ – 200HZ Satellite: 180 HZ – 20KHZ
- Distortion: 0.3% <1W/1KHZ>
- S/N Ratio: ≥ 60 dB
- Separation: ≥ 45 dB
- Power supply: USB/DC 5V

Notice

- To extend the service life, avoid distortion and protect your hearing, do not turn the volume too loud.

- Do not expose the speakers to extreme heat, cold or humidity.
- Do not disassemble and remodel the speakers. Please send it to the professionals when repair needed.
- If the speakers system get wet, unplug the power supply immediately, and dry it out or have it inspected before further use.
- Turn off the speaker system and unplug the USB cable when you don't use it.

Illustration



OPERATION INSTRUCTION

1. Plug the audio cable into the 3.5mm jack on your computer.
2. Plug the USB cable into the USB port on your computer.
3. Press the power switch to turn on(off) the speakers system.
4. Adjust the volume: Raise or lower the volume by adjusting the audio regulator.

Manufactory: YaLanShi International(HongKong) Limited

Factory: Dongguan MeiZhiZun Electronics Technology CO.,LTD

Add: 33.Hehe Road, Xiangxi Precinct, Liaobu Town, Dongguan DIST, Guandong City

Consumer Service Hotline: 4001689995

<http://www.earise.cn>

E-mail:market@alans.hk

- One of the first enterprises whose products have passed 3C(China Compulsory Certificate)
- ISO9001 certified company
- Execution Criteria: GB 8898-2011 Factory NO.:A066918