



Instruction manual

Model:KCW-006

Enjoy kclean water, enjoy your life

Shenzhen Kclean Water Treatment Equipment Co.,Ltd

Address: Xiangyu'er Industrial Park, Hi-Tech Zone, Longsheng Rd., Longgang
St., Longgang District, Shenzhen, Guangdong, China

Web: www.kcleanwater.com Email: sales@kcleanwater.com

Shenzhen Kclean Water Treatment Equipment Co.,Ltd

Contents

Dear Customer, before Enjoy the advantages of Kclean 4 stages non-electric alkaline and antioxidant water purifier , please read this user manual carefully.

| | |
|--|----|
| (1) Product introduction | 01 |
| 1.Features | 01 |
| 2.Product breakdown Structure | 02 |
| 3.working principle of product | 02 |
| (2) Installation instruction | 03 |
| 1.preparation before installation | 03 |
| 2.tools for installation | 03 |
| 3.Way of installation..... | 03 |
| 4.Parts lists | 04 |
| 5. Installation steps | 04 |
| 6.How to get purified water | 05 |
| 7.specification | 06 |
| 8. how to replace the filter | 06 |
| (3) User manual | 07 |
| 1.How to replace filters | 07 |
| 2.trouble shooting..... | 07 |
| (4) Notice | 08 |
| 1.Notice for filters before using | 08 |
| 2. Additional considerations | 08 |
| 3. Clearance of main parts and pressure water tank | 08 |
| (5) After sales service | 08 |



CAUTION:

This product must be installed by professionals

1. In order to better use of this product, please use the original accessories

2. Please do not adjust the pressure limiting valve without authorization, please contact the professionals or dealers for help.

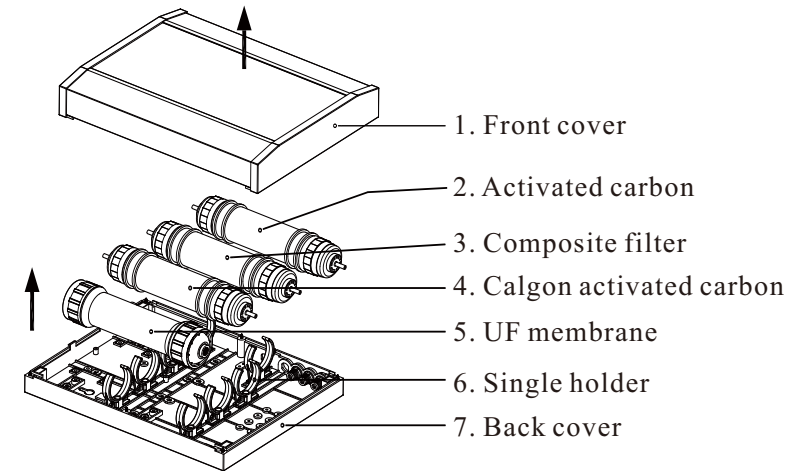
1. Product introduction

Kclean 4 stages non-electric alkaline & antioxidant water purifier is a functional water purifier which can convert normal tap water into alkaline and antioxidant water

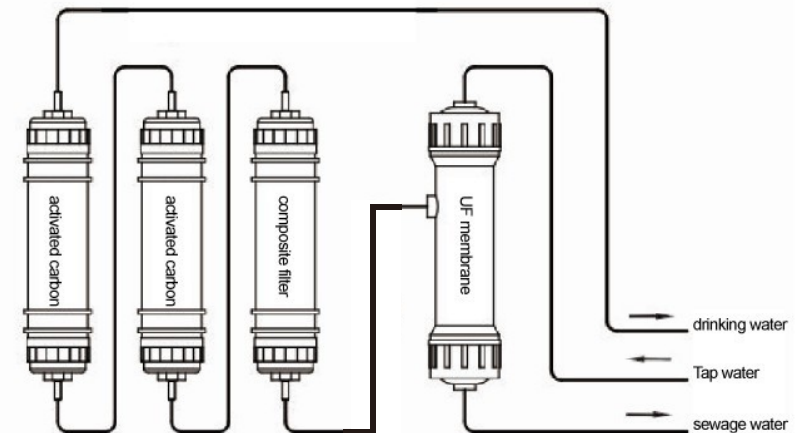
1. Features

- Purify the tap water, remove the bacteria, eliminate the chlorine, heavy metal and other harmful substances. The refreshing water could help to clean the fruit, vegetables and used for cooking.
- Creates the refreshing, great-tasting drinking water, which makes your coffee and tea more Aromatic.
- Low negative ORP (ORP: -200mv ~ -500mv), giving it strong and measurable antioxidant potential, which could anti-aging, make you younger.
- Weak alkaline water (PH: 8.5~9.8), improve your systemic acid/alkaline balance, enhance immunity and creates better health.
- Small water molecules create very absorbable water and eliminate the redundant greases in your body, which could remove fat to keep fit and prevent the high blood pressure, high cholesterol and other diseases if drink for a long time.
- Provide an abundance of negative ions and natural far infrared ionization, make the body to be more energetic, more dynamic, more spirit and not easily tired.

2. Product breakdown Structure



3. Working principle of product



2. Installation instruction

1. Preparation before installation

- Confirm the installation position
- Make sure all accessories are fully equipped
- Make sure tap water is turned off before installation

2. tools for installation

| | | |
|---|--|------|
| 1 | Monkey wrench | 1 pc |
| 2 | Screwdriver | 1 pc |
| 3 | Screwdriver | 1 pc |
| 4 | electric impact drill (with drill Of $\phi 6\text{mm}$ $\phi 22\text{mm}$) | 1 pc |

3. Way of installation

Attention:

- 1) Use PE material pipe as the connecting pipe
- 2) following installation diagram is for your reference

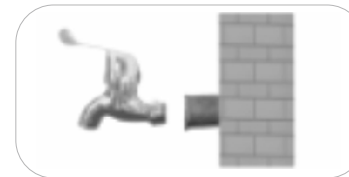


4. Parts lists

| NO. | Name | Quantity |
|-----|-------------------------|----------|
| 1 | KCW-006 | 1pc |
| 2 | PE pipe | 5 meters |
| 3 | instruction manual | 1pc |
| 4 | gooseneck faucet | 1pc |
| 5 | three-way valve | 1pc |
| 6 | Expandable rubber plug | 5pcs |
| 7 | 4×25 self-tapping screw | 5pcs |
| 8 | ball valve (1/4) | 1pc |
| 9 | gooseneck faucet hanger | 1pc |
| 10 | nylon ribbon | 2pcs |
| 11 | body hanger | 1pc |

5. steps of installation

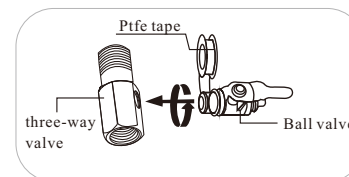
1. Turn off the tap water pipe and screw out the existing faucet



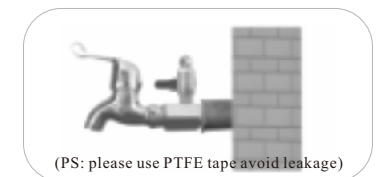
2. Connecting three-way valve with the existing faucet



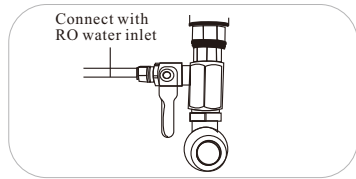
3. Connecting the three-way valve with ball valve



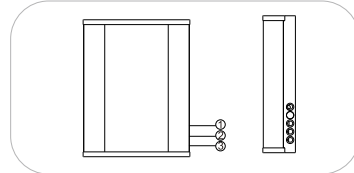
4. Connecting three-way valve with the tap water pipe



5. connecting PE pipe with the ball valve, and connect inlet of KCW-006 with the PE pipe

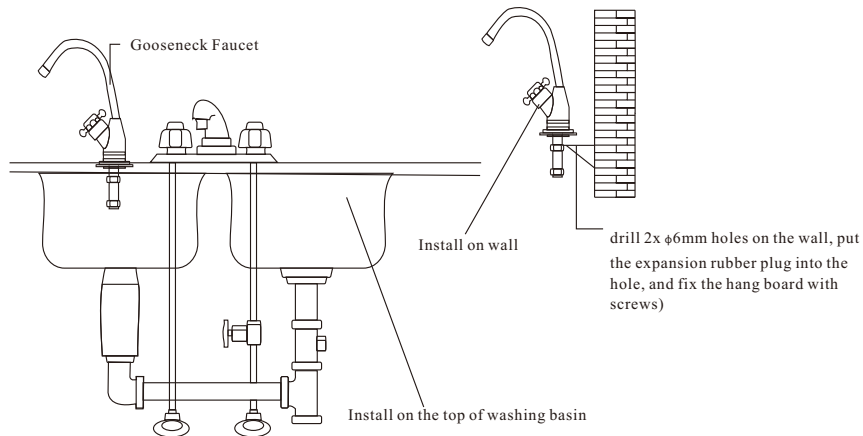


6. use PE pipe to connect all sockets of the KCW-006



- No.1 socket connect with gooseneck faucet (purified water)
- No.2 socket connect with source tap water inlet (Tap water)
- No.3 socket connect with outlet sewage water (sewage water)

7.steps of installation



6.How to get purified water

- 1) Turn on the source water, make the water come through KCW-006
- 2) Turn on the tap water faucet ,output the water for 5~8 minutes then close it. Turn on the pure water faucet, 10 minutes later we can drink the water directly.
- 3) It is normal when seeing the water from the pure water outlet is black or with many air bubbles at the very beginning.

Warm tips:

Purified water is safe and reliable to drink directly.

7.Specification

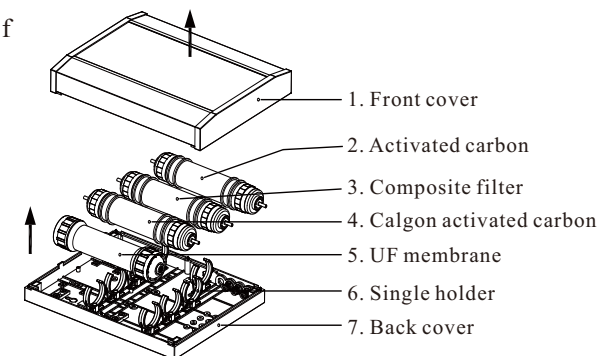
| | |
|-----------------------|---------------------|
| Model No. | KCW-006 |
| Water flow | 2L/min |
| Total filter capacity | 5000L |
| Working pressure | 0.15-0.3MPa |
| Source water | Municipal tap water |
| Working Temp | 5-38 centigrade |
| Filter precision | 0.01um |
| Product size | 330x100x428mm |
| Flushing mode | automatic |

Notes:

1. The output water flow depends on your local water quality and your way of usage.
2. The life of the UF membrane also depends on your local water quality and water consumption.
3. Please use it under the users' manual

8.how to replace the filter

1. take down the front cover according to the direction of the arrow
2. Take out of the filter according to the direction of the arrow.(take down the quick connector and the connecting pipe before taking out of the filter)
3. Install the new filter, and make sure all connector are perfectly connected.



3. User manual

Note:

In order to prolong the life of the filter, please use it under standard municipal tap water. Please add a pre-filter if the local source water is not good.

1. Usage Period of filters

| Name | Life |
|-----------------------------|--------------|
| UF membrane | 24-30 months |
| Composite filter | 12-18 months |
| Pre-filter activated carbon | 8-12 months |
| Post activated carbon | 8-12 months |

2 trouble shooting

Kindly note the trouble shooting table in case of faults

| Failure | Reasons | Solution |
|---|--|--|
| No water output | The source water pressure is low | Increase the source water pressure |
| | The inlet ball valve is not open | Open the inlet ball valve |
| | The UF membrane was blocked | Flushing the UF membrane/ replace the UF membrane |
| Alarm | The life of filter is ended | Replace the filter and reset the indicator |
| Small water output | The source water pressure is low | Increase the source water pressure |
| | The UF filter is blocked | Flushing the UF membrane/ replace the UF membrane |
| | The water pipe was cockled | straighten the water pipe |
| The taste of the purified water is not good | The pre-filter activated carbon used too long | Replace the pre-filter activated carbon |
| | The post activated carbon used too long | Replace the post activated carbon |
| The connecting place is leaking | Not connecting well (filter ,pipe , quick connector , valve) | Check all the connecting place, and connect it well |
| | The seal ring of the connector was burn-in | Replace the seal ring |

4. Notice

1. Notice:

- 1) Please open the water inlet ball valve and the water faucet when you use the machine at the first time every day. Eliminate about 500ml water which is regimetal water in the pipe and filter. Then you can get the purified water to drink.
- 2) Please don't adjust the water inlet reducing valve in casual.
- 3) Please close the water inlet valve when you go out and don't use the machine for a long time.

2. Notice for filters before using

After installing the carbon filter, it need washed at first, and install next filters after the water become clear.

Ways of replace filters

- 1) shut down the ball valve
- 2) remove the used filters
- 3) install the new filters, and turn on the ball valve, wait the water become clear.
- 4) repeat 1-3 steps, and install the next filters one by one.

3. Additional considerations

- 1) Please don't dismantle the parts of the machine in casual.
- 2) Please close the water inlet valve when you go out and don't use the machine for a long time.
- 3) Please turn off the water valve after the last time you use the machine in the day time in order to protect the filters.
- 4) Please use the machine under the users' manual

4. Clearance of main parts

Only using water or wet rags clear the main parts and pressure water tank, PLEASE DO NOT using the Brush, alcohol, detergent and diluent, in order not to cause damages, discolor to the machine.

Brush

Alcohol

Abstergent

Diluent

5. After sales service

1. Please contact with our after-sale service center or contact with our sales directly if the products can't work or have other quality problems.
2. Please don't dismantle the machine casually if it doesn't work. Please under the users' manual and professionals
3. One year warranty