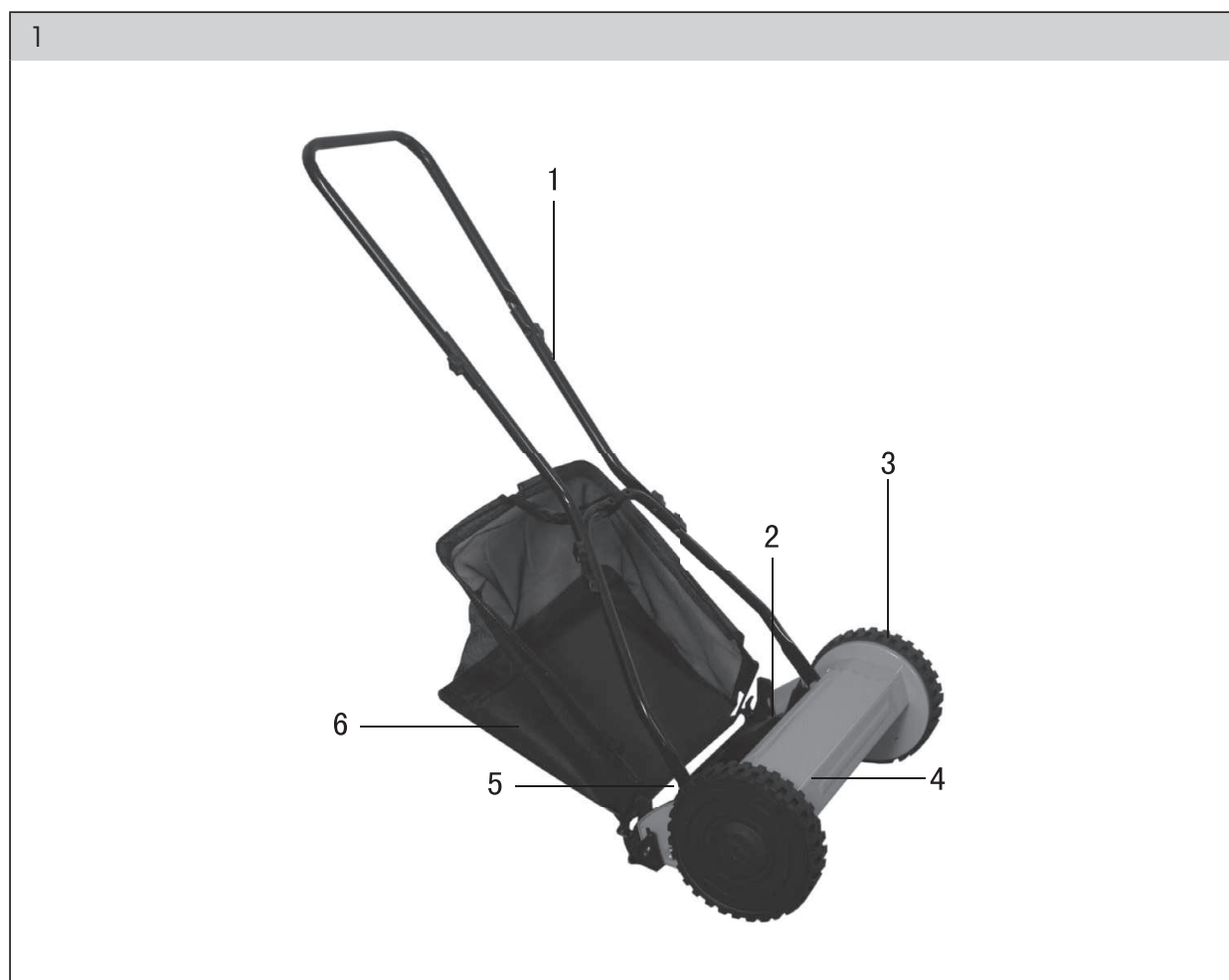


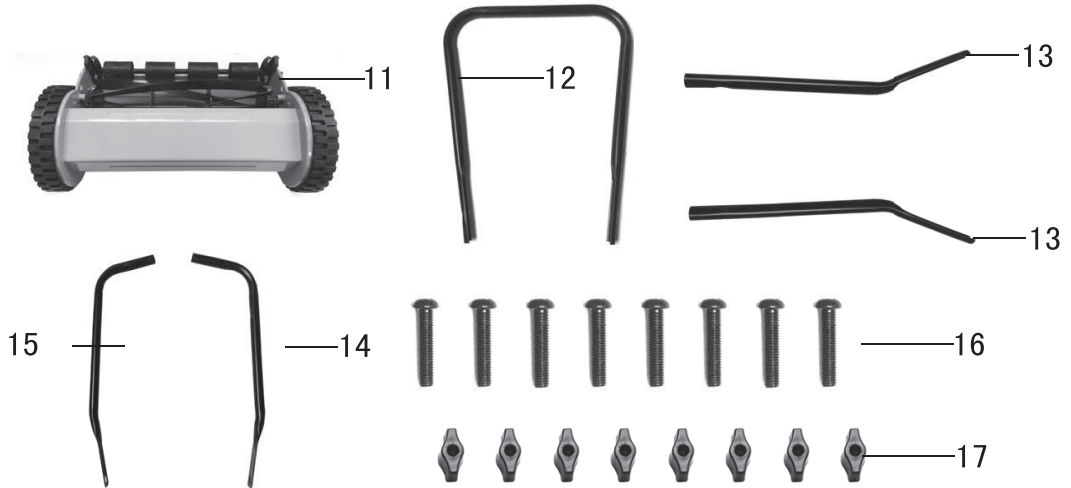


FZR 1010

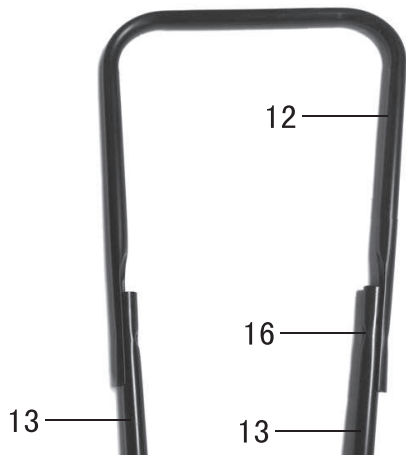
English.....	5-10
Čeština.....	11-16
Slovenčina.....	17-22
Magyarul.....	23-28
Polski.....	29-34



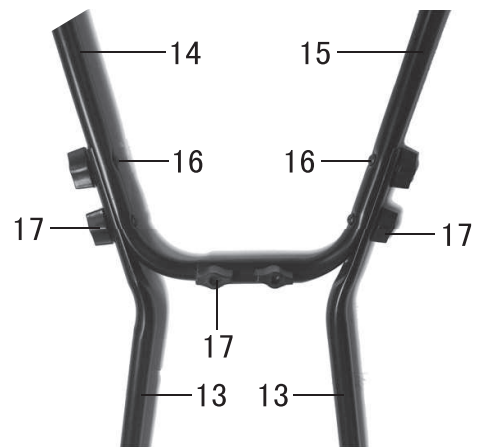
2



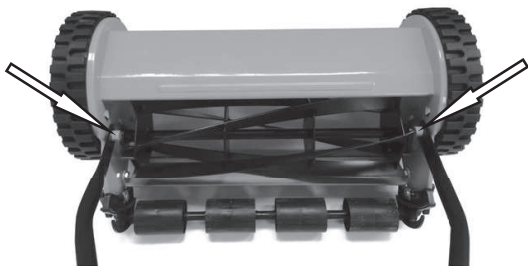
3



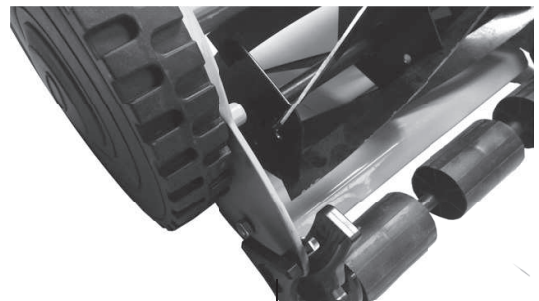
4



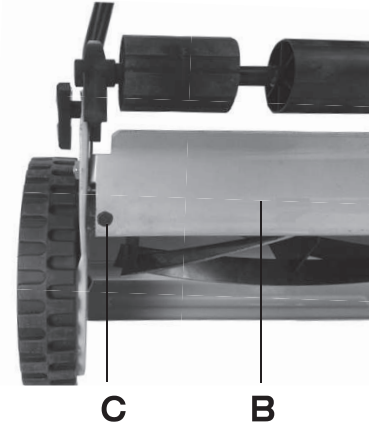
5



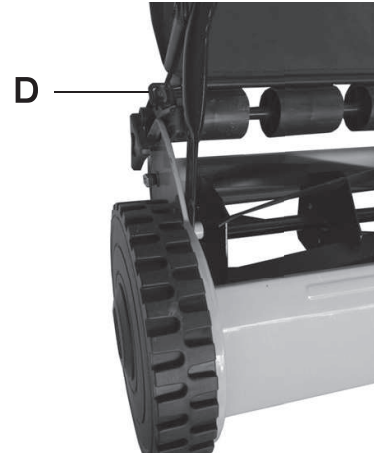
6



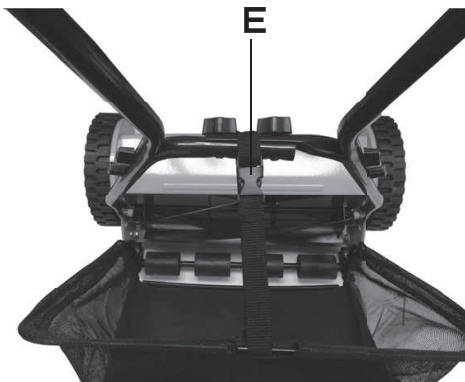
7



8



9



Push Reel Mower

USER'S MANUAL

Thank you for purchasing this push reel mower. Before you start using it, please, carefully read this user's manual and save it for possible future use.

TABLE OF CONTENTS

ILLUSTRATED ATTACHMENT.....	2
1. GENERAL SAFETY INSTRUCTIONS.....	6
Important safety information.....	6
User's Manual.....	6
2. EXPLANATION OF INSTRUCTION LABELS ON THE MACHINE.....	7
3. DESCRIPTION.....	7
4. SUPPLIED PARTS.....	7
5. PURPOSE OF USE.....	8
6. ASSEMBLY.....	8
ASSEMBLING THE MOWER.....	8
7. SETTING THE MOWING HEIGHT.....	8
8. OPERATION.....	9
9. MAINTENANCE AND STORAGE.....	9
10. PACKAGING.....	9
11. ATTACHING THE GRASS CATCHER.....	9
12. DISPOSAL.....	10

1. GENERAL SAFETY INSTRUCTIONS

IMPORTANT SAFETY NOTICE

- ✿ Certain safety measures must be adhered to when operating this mower to prevent injuries or damage to the mower from occurring.
- ✿ Please carefully read all operating instructions and safety directives.
- ✿ Store this user's manual in a safe location so that it is always available for reference.
- ✿ If you hand this mower over to somebody else, include this user's manual together with the safety directives.
- ✿ We take no responsibility for damages and accidents that are caused as a result of not following these instructions and safety directives.

USER'S MANUAL

1. Before using this push reel mower, please read all the following safety directives as well as the instructions for its use.
2. Never permit children or other persons that are not informed about these operating instructions to work with this mower. Contact the local authorities for information about the minimum age of the users of this mower.
3. Never mow lawn if there are persons in the direct vicinity - particularly children or animals.
4. Always keep in mind that the operator or user of this mower is responsible for the accidents or injury of persons or damage to their property.
5. When mowing a lawn, always wear solid and non-slip footwear and long pants. You must never be barefoot or only in sandals.
6. Check the terrain on which the mower will be used and remove all objects that could become stuck inside the mower or deflected by it.
7. Before operating this mower, perform a visual inspection to ensure that the mowing blades, the fastening bolts and the entire mechanism of the mower is in good condition (checking for wear and damage).
8. Only mow lawn in daylight hours or with good quality artificial lighting.
9. Always maintain a firm posture when mowing on slopes.
10. When operating this mower only move at walking pace.
11. Always mow across the direction of slope (along its contour), never mow straight up or straight down.
12. Always be very careful when turning the mower or when pulling it towards yourself.
13. Do not mow lawn on an excessively steep slope.
14. Thoroughly acquaint yourself with all the control elements and the correct operation of the mower.
15. Incorrect operation of this push reel mower may result in serious injuries.
16. Keep in mind that the mowing part is rotating at a high speed with high centrifugal forces acting on it, which may cause serious injuries in the event of direct contact. Always ensure that a safe distance is maintained (determined by the length of the long handles) between the user and the working unit of the mower.
17. Never point your hands or feet in the direction of the rotating part or under this part.
18. This mower is not designed to be used by persons (including children) with physical or mental impairments or by persons with insufficient experience and knowledge, unless they are under supervision or have been instructed about the operation of the product by the person responsible for their safety. Children must be supervised to ensure that they do not play with this mower.

⚠ Caution! Read all the safety directives and all instructions.

If you do not adhere to the provided safety directives and instructions an accident or serious injury may result.

Store all safety directives and instructions for future reference.

2. EXPLANATION OF INSTRUCTION LABELS ON THE MACHINE



Before putting into operation, please carefully read the user's manual.



Attention, rotating blades! Protect yourself against the danger of injury to limbs.



Always maintain a distance from moving parts.



Use hearing protection.
Use eye protection.

3. DESCRIPTION (FIG. 1)

1. Push handle
2. Mowing reel
3. Wheel
4. Reel cover
5. Guiding cylinder
6. Grass catcher

4. SUPPLIED ITEMS (FIG. 2)

11. Push reel mower (ready to be assembled)
12. Top part of the push handle
13. Push handle extension poles (2 pieces)
14. Bottom part A of the push handle
15. Bottom part B of the push handle
16. Bolts M6 x 30 (8 pieces)
17. Hexagonal nut M6 (8 pieces)

5. PURPOSE OF USE

This push reel mower is designed for mowing grass.

It is intended for private use, that is for use around the home and in gardens. Private use constitutes the maintenance of lawns on a small scale around residential buildings and does not include public areas, sports stadiums or use in agriculture or forestry.

⚠ Important: Due to the high risk of injury to the user, this push reel mower must not be used for mowing mixed vegetation and roofs or balconies with planted vegetation.

This mower may only be used for the purposes for which it is intended. Any other use will be considered to be incorrect use. In the event that damage or injury results from incorrect use, the responsibility will always be borne by the user and not the manufacturer.

Please keep in mind that the product was not designed for use in commercial, business or industrial sectors. If this mower is used in the commercial, business or industrial sectors or equivalent applications, the validity of our warranty will become void.

6. ASSEMBLY

Assembling the lawnmower

Fig. 3: Screw the top part of the push handle (12) to the two push handle extension poles (13). For this purpose, use two bolts M6 x 30 (16) and two hexagonal nuts M6 (17).

Fig. 4: Screw the bottom part A (14), bottom part B (15) and both push handle extension poles (13) together. For this purpose, use six bolts M6 x 30 (16) and six hexagonal nuts M6 (17).

Fig. 5: First connect one of the bottom parts of the push handle to the mower, then push both bottom parts of the handle together and connect the second side of the handle as well.

7. SETTING THE MOWING HEIGHT (FIG. 6)

This mower permits four mowing height settings ranging from 15 mm to 45 mm. When performing this task, pull out the mowing height adjustment brackets (A) and then slide them into the required height.

8. OPERATION

This push reel mower may mow grass that is up to 10 cm in height. If you want to have a perfectly neat lawn, you must, however, continuously and regularly care for it to ensure that it does not grow too tall. At the start of the mowing season (and when mowing a newly established lawn) it is appropriate to set the mowing height relatively high and then to reduce this height gradually. If you wish to achieve a neat looking lawn, set the mowing height to approximately 2.5 cm.

You will achieve optimal results when you mow the lawn every week. Grass blades thicken up and grow faster and are more hardy, grass stalks are kept permanently short (of course unless you live in very arid conditions and the lawn is insufficiently watered). Always mow the lawn when it is rather dry. If you wish to have a neat and quality appearance of your lawn after you have finished mowing, mow in a straight direction at walking pace. Individual rows should always overlap by a few centimetres to prevent unsightly grass strips from appearing.

9. MAINTENANCE AND STORAGE

- ✿ Clean the mower after every use using a brush or rag.
- ✿ Store the mower in a dry location to which children will not have access.
- ✿ Check that all fastening elements (bolts, nuts, etc.) are firmly tightened so that the mower can always be operated safely.
- ✿ Immediately replace damaged or excessively worn out parts.
- ✿ All parts with threads as well as wheels and shafts must be regularly cleaned and lubricated to ensure many years of service from your mower.
- ✿ Maintaining your mower in good operating condition will not only ensure its long operational lifetime and high performance, but will also enable you to mow your lawn with minimal effort.
- ✿ The blades on the reel are subject a much higher degree of wear than other parts of the mower. Inspect the blades on the reel regularly making sure that they are properly attached.
- ✿ **Note:** The counter-blade (B) is adjusted if the blades on the reel are worn out. Loosen the adjustment nut (C) (10 mm) on both sides of the mower and set the counter-blade to the required position. The counter-blade (B) will be set correctly, if a piece of paper is cut when placed between the blades on the reel and the counter-blade when you rotate one of the wheels on the mower forwards.

10. PACKAGING

This mower is supplied in packaging to prevent its damage during transport. The packaging materials may be reused or recycled.

11. ATTACHING THE GRASS CATCHER (FIG. 8)

Seat the assembled grass catcher on to the hooks. The grass catcher must also be fastened to the push handle using the supplied strap (see fig. 9).

12. DISPOSAL

INSTRUCTIONS AND INFORMATION REGARDING THE DISPOSAL OF USED PACKAGING MATERIALS

Dispose of used packaging material at a site designated for waste in your municipality.



The machine and its accessories are manufactured from various materials, e.g. metal and plastic.

Take damaged parts to a recycling centre. Inquire at the relevant government department.

Changes in the text, design and technical specifications may be made without prior notice and we reserve the right to make these changes.

User s manual in the original language.