

Form 20610  
(1152)  
Printed in U.S.A.

# LIST OF PARTS



MACHINES  
Nos. 247-6 and 247-7

---

\*\* A TRADE MARK OF  
THE SINGER MANUFACTURING COMPANY

## INSTRUCTIONS FOR OILING

To ensure easy running and prevent unnecessary wear of the parts which are in movable contact, the machine requires oiling and when in continuous use, "TYPE B" or "TYPE D" OIL, sold only by Singer Sewing Machine Company, should be applied at least twice each day to all oil holes marked "OIL," as instructed in Form 20429.

"TYPE D" OIL is stainless.

### SPECIAL NOTICE

The letter "O," marked on oil pipe couplings must always be at the top. This is to insure that the oil spoon, attached to the inner end of each coupling, is open side up.

Copyright, U. S. A., 1948 and 1952 by  
The Singer Manufacturing Company  
All Rights Reserved for All Countries

## INDEX

	Page
Accessories .....	30
Belt Guard .....	30
Bench Stand .....	30
Chip Chute .....	30
Cord Holder .....	29
Fittings for 247-6 Machine .....	25
Fittings for 247-7 Machine .....	26
Foot Lifter Parts .....	31
Knee Lifter Parts .....	31
Machine Base .....	31
Machine Base with Oil Drain Jar .....	32
Machine No. 247-6 .....	7
Machine No. 247-7 .....	17
Numerical List of Parts .....	33
Tape Holder .....	29
Thread Unwinder .....	32
Welting Attachment .....	28
Welting Attachment with Welt Guide .....	29
Welt Holder .....	30

## INSTRUCTIONS FOR ORDERING

In ordering from this list, use ONLY the part NUMBER in the FIRST column.

The number stamped on a Sewing Machine Part is in every case the number of the single part only.

Every combination of parts sent out as such has its specific number, which, although not stamped on the parts, must be used when ordering the combination.

Each number alone indicates the SAME PART in whatever list it appears, or for whatever machine.

The letters after some of the numbers indicate the style of finish only, as follows:

- A—Hardened, Polished, Nickel Plated and Buffed
- A.A—Buffed and Chromium Plated
- A.B—Hardened, Polished, Buffed and Chromium Plated
- A.C—Brown Baking Enamel Finish
- A.D—Gray Baking Enamel Finish
- A.E—Hardened, Bright Rumbled and Nickel Plated
- A.F—Hardened, Bright Rumbled, Nickel Plated, Bright Rumbled and Chromium Plated
- A.G—Alumilite, Plain
- A.H—Alumilite, Dyed
- A.J—Polished, Nickel Plated and Chromium Plated
- A.K—Hardened, Polished, Nickel Plated and Chromium Plated
- A.L—Heat Treated for Toughness
  - B—Polished, Nickel Plated and Buffed
  - C—Hardened Only
- C.R—Hardened and Merlized
- D—Polished Only
  - E—Soft, Not Polished
  - F—Hardened and Polished
- F.J—Hardened, Polished and Nickel Plated
  - G—Bright Rumbled and Nickel Plated
- H—Blued
- J—Nickel Plated Only
- K—Hardened and Nickel Plated
- L—Brass Plated
- M—Oxidized
- N—Japanned, Dull
- P—Japanned, Bright
- P.P—Wrinkle Finish
- R—Merlized
- S—Cadmium Plated
- T—Copper Plated
- T.A—Hardened, Polished, Copper and Nickel Plated and Buffed
- T.B—Copper and Nickel Plated and Polished
- T.J—Copper and Nickel Plated Only
- T.K—Hardened, Copper and Nickel Plated
- T.L—Copper and Brass Plated
- T.M—Copper Plated and Oxidized

## INSTRUCTIONS FOR ORDERING—Continued

- U—Zinc Plated
- V—Silver Plated
- W—Polished and Nickel Plated
- X—Black Oxide, for Iron and Steel
- X.C—Hardened and Black Oxide, for Iron or Steel
- Y—Black Nickel Plated Only
- Z—Chromium Plated
- Z.A—Hardened, Polished, Nickel Plated, Buffed and Chromium Plated
- Z.B—Polished, Nickel Plated, Buffed and Chromium Plated
- Z.C—Hardened and Chromium Plated
- Z.D—Polished and Chromium Plated
- Z.G—Bright Rumbled, Nickel Plated, Bright Rumbled and Chromium Plated
- Z.J—Nickel and Chromium Plated
- Z.T—Copper and Chromium Plated

These letters MUST BE USED when they appear in the list; and AFTER the number as in the list.

In this series:

1 to 1500, 50001 to 51500 and 140001 to 142000 are Screw Numbers

1501 to 1800 and 51501 to 51800 are Nut Numbers

1801 to 2000 and 51801 to 52000 are Roller Numbers

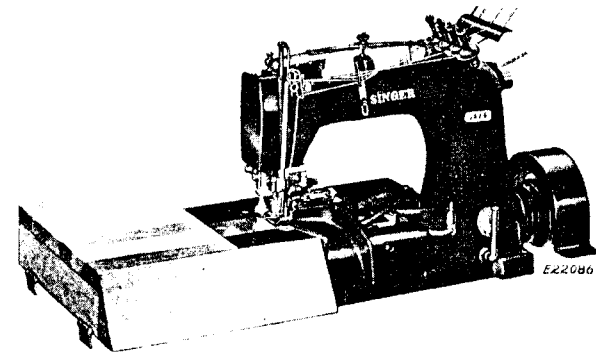
2001 to 50000 and 52001 to 140000 and 142001 to 190000 are Sewing Machine Parts, 190001 and upward are numbers of Electrical Parts.

The figures in the second column refer only to the plates, illustrating the parts, and are NOT TO BE USED in ordering.

Parts marked with an asterisk (\*) are furnished only when repairs are made at factory.

When ordering parts which differ as to Gauge (the distance between seams), the Gauge, as well as the Number, must be given on order.

LIST OF PARTS COMPLETE  
FOR



**MACHINE No. 247-6**

FOR SEAMING CHILDREN'S WEAR, DRESSES, TROUSERS, BED SPREADS WITH INSERTED WELT AND SIMILAR WORK. THREE NEEDLES, TWO LOOPERS. REINFORCED STITCH. VERTICAL TRIMMER. INDEPENDENT UPPER AND UNDER FEED WITH DIFFERENTIAL FEED FOR GATHERING. NEEDLE BAR STROKE 1-7/32". CLEARANCE UNDER PRESSER FOOT 5/32". GAUGES BETWEEN LEFT AND CENTER NEEDLES FROM 1/16" TO 1/4", IN STEPS OF 1/16" AND BETWEEN CENTER AND RIGHT NEEDLES FROM 1/8" TO 1/4", IN STEPS OF 1/16". MAXIMUM DISTANCE BETWEEN OUTSIDE NEEDLES IS 3/8". SPEED 2400 DEPENDING UPON MATERIAL USED AND OPERATIONS PERFORMED.

**SINGER** Needles should be used  
in **SINGER** Machines  
These Needles and their Containers  
are marked with the  
Company's Trade Mark "SIMANCO.\*" 1

Needles in Containers marked  
"FOR SINGER MACHINES"  
are NOT **SINGER** made needles. 2

No.	Plate	Name
*168066	.....	Arm, upper and lower (solid) with 948J, 68483 and four 131022.....
68428	25551	Arm Bottom Cover.....
68429	25551	Arm Bottom Cover Gasket (cork).....
1057AL	25551	Arm Bottom Cover Screw (4).....
50608R	25551	Arm Hole Plug Screw, for access to Crank Connecting Rod (upper bearing).....
139017	25551	Arm Hole Plug Screw Washer.....
68350	25575	Arm Oil Cup, for oiling Arm Rock Shaft Front Bearing.....
131864	25577	Arm Oil Cup for 131866.....
131865	25577	Arm Oil Cup Oil Gauge.....
131866	25577	Arm Oil Cup with Oil Gauge complete, for filling oil reservoir, Nos. 131864 and 131865.....
131319	25575	Arm Oil Cup Oil Pad (braided cotton) for 68350.....
168111	25575	Arm Rock Shaft and Front Crank with 853AL, 1235F, 50505C and 131819.....
1309C	25575	Arm Rock Shaft Adjusting Screw.....
131056	25575	Arm Rock Shaft Adjusting Screw Washer.....

No.	Plate	Name
68433	25575	Arm Rock Shaft Bushing (back)
68435	25575	Arm Rock Shaft Bushing (back) Cap
131095	25575	Arm Rock Shaft Bushing (back) Cap Washer (fiber)
446AL	25575	Arm Rock Shaft Bushing (back) Set Screw
68436	25575	Arm Rock Shaft Bushing (intermediate)
423AL	25575	Arm Rock Shaft Bushing (intermediate) Set Screw
131072	25577	Arm Rock Shaft Crank, back (ball bearing, solid) with two 50083AL
50083AL	25577	Arm Rock Shaft Crank (back) Set Screw (2)
131456	25575	Arm Rock Shaft Flanged Bushing (front)
453AL	25575	Arm Rock Shaft Flanged Bushing (front) Set Screw
42365	25575	Arm Rock Shaft Oil Pad (braided cotton) for oiling Back Bearing
54969	25575	Arm Rock Shaft Oil Pad (braided cotton) for oiling Intermediate Bearing
1235F	25575	Arm Rock Shaft Oil Plug Screw
168002	25577	Arm Rotary Shaft with 168215
168003	.....	Arm Rotary Shaft 168002 with 131930 and 168010
131366	25577	Arm Rotary Shaft Ball Bearing (back) (2)
131478	25577	Arm Rotary Shaft Ball Bearing (back) Case
131479	.....	Arm Rotary Shaft Ball Bearing (back) Case 131478 with 131369 and three 205C
131526	.....	Arm Rotary Shaft Ball Bearing (back) Case with Ball Bearings complete, Nos. 131479, 131480 and two 131366
131369	25577	Arm Rotary Shaft Ball Bearing (back) Case Cap
205C	25577	Arm Rotary Shaft Ball Bearing (back) Case Cap Screw (3)
131370	25577	Arm Rotary Shaft Ball Bearing (back) Case Position Stud (3)
429C	25577	Arm Rotary Shaft Ball Bearing (back) Case Set Screw
131480	25577	Arm Rotary Shaft Ball Bearing (back) Spacing Collar
131366	25577	Arm Rotary Shaft Ball Bearing (intermediate)
131481	25577	Arm Rotary Shaft Ball Bearing (intermediate) Case
1304C	25577	Arm Rotary Shaft Ball Bearing (intermediate) Case Set Screw
131482	25577	Arm Rotary Shaft Ball Bearing (intermediate) Collar with two 457AL
457AL	25577	Arm Rotary Shaft Ball Bearing (intermediate) Collar Set Screw (2)
131959	25577	Arm Rotary Shaft Bushing (front)
68497	25577	Arm Rotary Shaft Bushing (front) Bearing Oil Pad (wick)
*68483	.....	Arm Rotary Shaft Bushing (front) Bracket with 761E
948J	25577	Arm Rotary Shaft Bushing (front) Bracket Screw
131028	25577	Arm Rotary Shaft Bushing (front) Oil Plug
761E	25577	Arm Rotary Shaft Bushing (front) Position Screw
131457	25577	Arm Rotary Shaft Bushing (intermediate)
761E	25577	Arm Rotary Shaft Bushing (intermediate) Position Screw
42367	25577	Arm Rotary Shaft Bushing (intermediate) Oil Pad lower (braided cotton)
54218	25577	Arm Rotary Shaft Bushing (intermediate) Oil Pad upper (braided cotton)
168215	25577	Arm Rotary Shaft Oil Wick
144D	25577	Arm Rotary Shaft Screw
131276	25551	Arm Side Cover (oil vent)
131909	25551	Arm Side Cover Cap
131280	25551	Arm Side Cover Cap Position Pin
1289X	25551	Arm Side Cover Cap Screw
131910	25551	Arm Side Cover Cap Spring
131911	25551	Arm Side Cover (oil vent) complete, Nos. 1289X, 131276, 131280, 131909 and 131910
68448	25551	Arm Side Cover Gasket
1057AL	25551	Arm Side Cover Screw (4)
168067	25555	Chip Chute
168068	25555	Chip Chute Arm

No.	Plate	Name
74C	25555	Chip Chute Arm Hinge Screw
6465	25555	Chip Chute Arm Hinge Screw Friction Washer
671W	25555	Chip Chute Arm Lock Thumb Screw
164E	25555	Chip Chute Screw (2)
168300	25555	Cloth Plate (sectional) with two 1011F
1011F	25555	Cloth Plate Connecting Block Screw (2)
168071	25555	Cloth Plate Slide
38419	25555	Cloth Plate Slide Spring
665J	25555	Cloth Plate Slide Spring Screw (2)
168072	25555	Cloth Plate Slide complete, Nos. 38419, 168071 and two 665J
168301	25555	Cloth Plate (sectional) complete, Nos. 168072 and 168300
1011F	25555	Cloth Plate Screw (left) (2)
742F	25555	Cloth Plate Screw (right)
*131926	25577	Crank Connecting Rod with two each 1057AL, 51715AL, 131927 and 131928
NOTE: When No. 131926 is required for repairs, Connecting Rod and Arm Rock Shaft Crank (back) fitted together will be furnished. All Agency orders for the part must state the Machine No. for which it is required, in order to obtain correct Needle Bar Stroke.		
131930	.....	Crank Connecting Rod 131926 with 131072
131927	25577	Crank Connecting Rod Cap (lower) Screw Stud (2)
51715AL	25577	Crank Connecting Rod Cap (lower) Screw Stud Nut (2)
131928	25577	Crank Connecting Rod Cap (lower) Screw Stud Nut Lock Washer (2)
1057AL	25577	Crank Connecting Rod Cap (upper) Screw (2)
168112	25579	Face Plate
142J	25579	Face Plate Screw (3)
168074	25581	Feed (back) Bar with 620AL, 1147AL and 50429AL
131766	25581	Feed (back) Bar Hinge Pin
168076	25581	Feed (back) Bar Slide Block (two pieces)
.....	.....	Feed (back) Dog (See Fittings Page Nos. 25 and 26)
157J	25586	Feed (back) Dog Screw
50429AL	25581	Feed (back) Dog Stop Screw
147568	25581	Feed (front) Bar
147570	.....	Feed (front) Bar complete, Nos. 51408AL, 147568 and 147569
147571	.....	Feed (front) Bar 147570 with 131769 and 131770
147569	25581	Feed (front) Bar Feed Dog (adjustable) Seat
51408AL	25581	Feed (front) Bar Feed Dog Seat Screw
131769	25581	Feed (front) Bar Guide
704E	25581	Feed (front) Bar Guide Screw
131770	25581	Feed (front) Bar Slide Bar
1147AL	25581	Feed (front) Bar Slide Bar Set Screw
.....	.....	Feed (front) Dog (See Fittings Page Nos. 25 and 26)
190J	25586	Feed (front) Dog Screw
131500	25577	Feed (lower) Connecting Rod with 1057AL, 68497, 134260 and two 896AL
168010	.....	Feed (lower) Connecting Rod 131500 with 168011
896AL	25577	Feed (lower) Connecting Rod Cap Screw (2)
1057AL	25577	Feed (lower) Connecting Rod Clamping Screw
131772	25581	Feed (lower) Connecting Rod Hinge Pin (eccentric)
59343	25581	Feed (lower) Connecting Rod Hinge Pin Collar with 735AL
735AL	25581	Feed (lower) Connecting Rod Hinge Pin Collar Set Screw
68497	25577	Feed (lower) Connecting Rod Oil Pad (wick)
134260	25577	Feed (lower) Connecting Rod Oil Pad Retainer
51061AL	25577	Feed (lower) Eccentric Body Set Screw (3)
7071	25577	Feed (lower) Eccentric Clamping Washer (2)
217J	25577	Feed (lower) Eccentric Clamping Washer Screw (2)
138306	.....	Feed (lower) Eccentric Lubricating Pad (wood)
168011	.....	Feed (lower) Eccentric (adjustable) complete, Nos. 1103C, 138306, two each 217J, 7071 and three 51061AL

No.	Plate	Name
168012	25577	Feed (lower) Lifting Eccentric with three 624AL
624AL	25577	Feed (lower) Lifting Eccentric Set Screw (3)
1103C	25577	Feed (lower) Regulating Screw
168188	25581	Feed (lower) Rocking Frame with 51657J, 140428AL and two each 1597J and 140427AL
168305		Feed (lower) Rocking Frame 168188 with 61C, 704E, 1655E, 51700C, 59343, 131766, 131772, 131775, 131779, 131780, 131781, 132583, 140311C, 147571 and 168074
131775	25581	Feed (lower) Rocking Frame Hinge Pin
57235	25581	Feed (lower) Rocking Frame Hinge Pin Bushing (2)
453AL	25581	Feed (lower) Rocking Frame Hinge Pin Bushing Set Screw (2)
168114	25583	Feed (upper) Bar
168308		Feed (upper) Bar 168114 with 199J, 54143, 131647, 131690, 168307 and two 1423W
54143	25583	Feed (upper) Bar Connecting Link (lower)
1423W	25583	Feed (upper) Bar Connecting Link (lower) Cap Screw (right)
50416C	25583	Feed (upper) Bar Connecting Link (lower) Hinge Screw (left)
1700C	25583	Feed (upper) Bar Connecting Link (lower) Hinge Screw (left) Nut
59455	25583	Feed (upper) Bar Connecting Link (lower) Hinge Screw (left) Washer
131647	25583	Feed (upper) Bar Connecting Link (upper)
199J	25583	Feed (upper) Bar Connecting Link (upper) Cap Screw (large)
1423W	25583	Feed (upper) Bar Connecting Link (upper) Cap Screw (small)
131648	25583	Feed (upper) Bar Connecting Link (upper) Cushion (Textolite)
131649	25579	Feed (upper) Bar Lifting Bracket with 1250AL
1250AL	25579	Feed (upper) Bar Lifting Bracket Position Screw
192274	25583	Feed (upper) Bar Spring
140173C	25583	Feed (upper) Bar Spring Cap Screw
131650	25583	Feed (upper) Bar Spring Thimble
131651	25583	Feed (upper) Bell Crank
131690		Feed (upper) Bell Crank 131651 with 131648, 131650, 140173C and 192274
131621	25583	Feed (upper) Bell Crank Connection with 140268AL
140268AL	25583	Feed (upper) Bell Crank Connection Clamping Screw
168190	25583	Feed (upper) Bell Crank Connection Sleeve
168117	25583	Feed (upper) Bell Crank Hinge Bracket
168118	25583	Feed (upper) Bell Crank Hinge Bracket Screw Stud
1662C	25583	Feed (upper) Bell Crank Hinge Bracket Screw Stud Nut (2)
20437	25583	Feed (upper) Bell Crank Hinge Bracket Screw Stud Nut Washer (2)
140415C	25583	Feed (upper) Bell Crank Hinge Bracket Screw
168191	25575	Feed (upper) Driving Crank
51191E	25575	Feed (upper) Driving Crank Screw
168119	25583	Feed (upper) Regulator with 140123C
168192	25583	Feed (upper) Regulator Connection
168122	25583	Feed (upper) Regulator Connection Hinge Bracket
168193	25583	Feed (upper) Regulator Connection Hinge Bracket Plate
140427AL	25581	Feed (upper) Regulator Connection Hinge Bracket Plate Screw (lower) (2)
1597J	25581	Feed (upper) Regulator Connection Hinge Bracket Plate Screw (lower) Nut (2)
140428AL	25581	Feed (upper) Regulator Connection Hinge Bracket Plate Screw (upper)
51657J	25581	Feed (upper) Regulator Connection Hinge Bracket Plate Screw (upper) Nut
51407AL	25583	Feed (upper) Regulator Connection Hinge Bracket Screw (2)
14017	25583	Feed (upper) Regulator Connection Hinge Bracket Screw Washer (2)

No.	Plate	Name
41C	25583	Feed (upper) Regulator Connection Hinge Screw
1650C	25583	Feed (upper) Regulator Connection Hinge Screw Nut
50950C	25583	Feed (upper) Regulator Connection Hinge Screw Stud
51552C	25583	Feed (upper) Regulator Connection Hinge Screw Stud Nut
42523	25583	Feed (upper) Regulator Connection Hinge Screw Stud Nut Washer
140123C	25583	Feed (upper) Regulator Set Screw
168120	25583	Feed (upper) Regulator Shaft
168306	25583	Feed (upper) Regulator Shaft Crank with 1057AL
168307		Feed (upper) Regulator Shaft Crank 168306 with 1700C, 50416C and 59455
1057AL	25583	Feed (upper) Regulator Shaft Crank Clamping Screw
168288	25586	Feeding Foot
203J	25586	Feeding Foot Screw
131776	25581	Gathering Feed Actuating Lever
131777	25581	Gathering Feed Actuating Lever Bracket with 175C, 910AL and two 1735C
131867	25581	Gathering Feed Actuating Lever Bracket 131777 with 359C, 1226C, 1520J, 9525, 50183F, 131776 and two 1654C
172J	25581	Gathering Feed Actuating Lever Bracket Screw (2)
50183F	25581	Gathering Feed Actuating Lever Hinge Screw
1520J	25581	Gathering Feed Actuating Lever Hinge Screw Nut
359C	25581	Gathering Feed Actuating Lever Locking Screw
1654C	25581	Gathering Feed Actuating Lever Locking Screw Lock Nut
1654C	25581	Gathering Feed Actuating Lever Locking Screw Nut
9525	25581	Gathering Feed Actuating Lever Locking Screw Washer
131778	25581	Gathering Feed Actuating Lever Spring
170C	25581	Gathering Feed Actuating Lever Spring Screw Stud (lower)
1226C	25581	Gathering Feed Actuating Lever Spring Screw Stud (upper)
910AL	25581	Gathering Feed Actuating Lever Stop Screw (lower)
1735C	25581	Gathering Feed Actuating Lever Stop Screw (lower) Nut
175C	25581	Gathering Feed Actuating Lever Stop Screw (upper)
1735C	25581	Gathering Feed Actuating Lever Stop Screw (upper) Nut
131779	25581	Gathering Feed Regulator with two 1057AL
1057AL	25581	Gathering Feed Regulator Clamping Screw (2)
131780	25581	Gathering Feed Regulator Connection
140311C	25581	Gathering Feed Regulator Connection Hinge Screw (back)
51700C	25581	Gathering Feed Regulator Connection Hinge Screw (back) Nut
131781	25581	Gathering Feed Regulator Connection Hinge Screw (back) Nut Washer
61C	25581	Gathering Feed Regulator Connection Hinge Screw (front)
1655E	25581	Gathering Feed Regulator Connection Hinge Screw (front) Nut
168080	25560	Knife (movable)
1000C	25560	Knife (movable) Clamping Screw
168081	25560	Knife (movable) Holder with 1000C
42038	25560	Knife (movable) Holder Guide with 336F
42039	25560	Knife (movable) Holder Guide Plate
621E	25560	Knife (movable) Holder Guide Plate Screw (2)
336F	25560	Knife (movable) Holder Guide Screw
42041	25560	Knife (movable) Holder Spring
168082	25560	Knife (movable) Lever with 1178C and 20437
168187		Knife (movable) Lever 168082 with 1722J, 14017, 132583 and 168086
168083	25560	Knife (movable) Lever Bearing Arm
168084	25560	Knife (movable) Lever Bearing Arm Bracket
172E	25560	Knife (movable) Lever Bearing Arm Bracket Screw (2)
54369	25560	Knife (movable) Lever Bearing Arm Collar with two 465AL
465AL	25560	Knife (movable) Lever Bearing Arm Collar Set Screw (2)

No.	Plate	Name
1178C	25560	Knife (movable) Lever Clamping Screw
20437	25560	Knife (movable) Lever Clamping Screw Washer
168085	25560	Knife (movable) Lever Connecting Link
132583	25560	Knife (movable) Lever Connecting Link Hinge Pin with 132584 (2)
132584	25560	Knife (movable) Lever Connecting Link Hinge Pin Oil Pad (wick) (2)
620AL	25560	Knife (movable) Lever Connecting Link Hinge Pin Set Screw (2)
168086	25560	Knife (movable) Lever Connection with 620AL
1722J	25560	Knife (movable) Lever Connection Nut
14017	25560	Knife (movable) Lever Connection Nut Washer
168087	25560	Knife (movable) Lever Hinge Screw Stud
1756J	25560	Knife (movable) Lever Hinge Screw Stud Nut
168088	25560	Knife (stationary)
168089	25560	Knife (stationary) Clamping Plate
168090	25560	Knife (stationary) Holder
448AL	25560	Knife (stationary) Holder Set Screw
1253AL	25560	Knife (stationary) Set Screw
168195	25561	Looper (back)
168196	25561	Looper (front)
208AL	25561	Looper (front) Screw (2)
168197	25561	Loopers complete, Nos. 168195, 168196 and two 208AL
168016	25561	Looper Carrier
168208		Looper Carrier 168016 with 132583, 168019, 168020, 168021 and 168023
168238		Looper Carrier 168208 with 168017 and 168205
168017	25561	Looper Carrier Shaft with 1231E
168018	25561	Looper Carrier Shaft Crank with two 1057AL
1057AL	25561	Looper Carrier Shaft Crank Clamping Screw (2)
68497	25577	Looper Carrier Shaft Oil Pad (wick)
1231E	25561	Looper Carrier Shaft Plug Screw
1497C	25561	Looper Carrier Shaft Set Screw
168012	25577	Looper (avoiding motion) Eccentric with three 624AL
168019	25561	Looper (avoiding motion) Eccentric Connection with 223C
132583	25561	Looper (avoiding motion) Eccentric Connection Hinge Pin with 132584
132584	25561	Looper (avoiding motion) Eccentric Connection Hinge Pin Oil Wick
223C	25561	Looper (avoiding motion) Eccentric Connection Hinge Pin Set Screw
168020	25561	Looper (avoiding motion) Eccentric Connection Holder
168021	25561	Looper (avoiding motion) Eccentric Connection Holder Screw Bushing
168022	25561	Looper (avoiding motion) Eccentric Connection Holder Screw Bushing Bearing
448AL	25561	Looper (avoiding motion) Eccentric Connection Holder Screw Bushing Set Screw (2)
168023	25561	Looper (avoiding motion) Eccentric Connection Holder Thrust Bearing
624AL	25577	Looper (avoiding motion) Eccentric Set Screw (3)
168024	25561	Looper (driving) Eccentric with three 1036AL
168025	25561	Looper (driving) Eccentric Connection with two each 175C and 140159AL
168205		Looper (driving) Eccentric Connection 168025 with 50138E, 168018, 168024 and 168026
175C	25561	Looper (driving) Eccentric Connection Cap (lower) Screw (2)
140159AL	25561	Looper (driving) Eccentric Connection Cap (upper) Screw (2)
168026	25561	Looper (driving) Eccentric Connection Position Plate
50138E	25561	Looper (driving) Eccentric Connection Position Plate Screw
1036AL	25561	Looper (driving) Eccentric Set Screw (3)
131504	25561	Looper Holder with 1120AL

No.	Plate	Name
51119J	25561	Looper Holder Screw
1120AL	25561	Looper Set Screw
131914	25577	Machine Driving Pulley, "V" belt groove (outside diam. of belt groove 2.9 in.) with two 51283AL, for 3/8 in. "V" belt
51283AL	25577	Machine Driving Pulley Set Screw (2)
131497	25579	Needle Bar (hollow)
		Needle Bar complete (See Fittings Page Nos. 25 and 26)
131291	25579	Needle Bar Bushing (lower)
1133E	25579	Needle Bar Bushing (lower) Set Screw
64320	25579	Needle Bar Bushing (upper)
1133E	25579	Needle Bar Bushing (upper) Set Screw
168030	25579	Needle Bar Connecting Link
168031		Needle Bar Connecting Link 168030 with 68489 and 131492
68489	25579	Needle Bar Connecting Link Hinge Stud (hollow)
1520J	25579	Needle Bar Connecting Link Hinge Stud Nut
131270	25579	Needle Bar Connecting Link Hinge Stud Oil Pad (wick)
861C	25579	Needle Bar Connecting Link Hinge Stud Oil Plug Screw
853AL	25575	Needle Bar Connecting Link Hinge Stud Set Screw
131492	25579	Needle Bar Connecting Stud with 1492E
1492E	25579	Needle Bar Connecting Stud Clamping Screw
		Needle Clamp (See Fittings Page Nos. 25 and 26)
168035	25586	Needle Guard (movable) Holder
51369E	25586	Needle Guard (movable) Holder Screw
51047C	25586	Needle Guard (movable) Screw
7071	25586	Needle Guard (movable) Screw Washer
904AL	25579	Needle Set Screw (back) (2)
906AL	25579	Needle Set Screw (front)
68492	25562	Oil Pipe (back of arm) with 68497, for oiling Feed Rocking Frame Hinge Pin Front Bearing
68493	25562	Oil Pipe (back of arm) Clamp
176E	25562	Oil Pipe (back of arm) Clamp Screw
68494	25562	Oil Pipe (back of arm) Connection with 68495 and two 198E, for oiling Feed Rocking Frame Hinge Pin Back Bearing
198E	25562	Oil Pipe (back of arm) Connection Cap Screw (2)
68495	25562	Oil Pipe (back of arm) Connection Oil Pad (wick)
68496	25562	Oil Pipe (back of arm) Coupling
1733	25562	Oil Pipe (back of arm) Coupling Nut (brass)
68497	25562	Oil Pipe (back of arm) Oil Pad (wick)
168036	25562	Oil Pipe (front of arm, long) with two 733
168037		Oil Pipe (front of arm, long) complete, Nos. 168036, 168038 and 168039
131004	25562	Oil Pipe (front of arm, long) Coupling (left)
131798	25562	Oil Pipe (front of arm, long) Coupling (right)
1733	25562	Oil Pipe (front of arm, long) Coupling Nut (brass) (2)
168038	25562	Oil Pipe (front of arm, long) Oil Lead with 1733 and 131003, for oiling Arm Rotary Shaft Front Bearing
168039	25562	Oil Pipe (front of arm, long) Oil Lead with 68497 and 131003, for oiling Feed Connecting Rod
131003	25562	Oil Pipe (front of arm, long) Oil Lead Connection with two 198E, for 168038 and 168039 (2)
198E	25562	Oil Pipe (front of arm, long) Oil Lead Connection Cap Screw (4)
131004	25562	Oil Pipe (front of arm, long) Oil Lead Coupling
1733	25562	Oil Pipe (front of arm, long) Oil Lead Coupling Nut (brass)
68497	25562	Oil Pipe (front of arm, long) Oil Lead Oil Pad (wick)
168040	25562	Oil Pipe (front of arm, short) with 131089 and two 1733
131004	25562	Oil Pipe (front of arm, short) Coupling (2)
1733	25562	Oil Pipe (front of arm, short) Coupling Nut (brass) (2)
131089		Oil Pipe (front of arm, short) Oil Pad (wick)
168097	25555	Oil Splash Guard

No.	Plate	Name
330J	25555	Oil Splash Guard Screw (2)
168042	25555	Oil Splash Guard (side of arm)
54038	25555	Oil Splash Guard (side of arm) Holder
190J	25555	Oil Splash Guard (side of arm) Holder Screw
217J	25555	Oil Splash Guard (side of arm) Screw
168125	25579	Presser Bar
38456	25579	Presser Bar Bushing (upper)
1133E	25579	Presser Bar Bushing (upper) Set Screw
168126	25579	Presser Bar Lifting Bracket with 1441AL
168127	25579	Presser Bar Lifting Bracket Guide
453AL	25579	Presser Bar Lifting Bracket Guide Set Screw
1441AL	25579	Presser Bar Lifting Bracket Set Screw
168128	25585	Presser Bar Lifting Lever
168043	25585	Presser Bar Lifting Lever Extension (back)
161J	25585	Presser Bar Lifting Lever Extension (back) Screw (2)
168129	25585	Presser Bar Lifting Lever Extension (front)
172J	25585	Presser Bar Lifting Lever Extension (front) Screw (2)
802X	25585	Presser Bar Lifting Lever Hinge Screw
131749	25551	Presser Bar Spring
131750	25551	Presser Bar Spring (auxiliary)
38468	25551	Presser Bar Spring Stud
168044	25551	Presser Bar Spring complete, Nos. 269W, 1637J, 131749, 131750 and 131752
		Presser Foot (hinged) complete (See Fittings Page Nos. 25 and 26)
176J	25586	Presser Foot Screw
269W	25551	Pressure Regulating Thumb Screw
1637J	25551	Pressure Regulating Thumb Screw Lock Nut
131752	25551	Pressure Regulating Thumb Screw Washer
168046	25579	Tension (thread covering) Controller Eyelet
208AL	25579	Tension (thread covering) Controller Eyelet Screw
2102	25585	Tension (thread covering) Disc (2)
51570C	25585	Tension (thread covering) Regulating Thumb Nut
32572	25585	Tension (thread covering) Releasing Disc
54988	25585	Tension (thread covering) Releasing Pin
50326C	25585	Tension (thread covering) Screw Stud
59539	25585	Tension (thread covering) Screw Stud 50326C with 51570C
131740	25585	Tension (thread covering) Spring
59537	25585	Tension (thread covering) Spring Bushing (large)
59538	25585	Tension (thread covering) Spring Bushing (small)
54279	25585	Tension (thread covering) Thread Guide (double)
168047	25579	Tension (thread covering) Thread Guide
335J	25579	Tension (thread covering) Thread Guide Screw
2102	25585	Tension (under thread) Disc (4)
51570C	25585	Tension (under thread) Regulating Thumb Nut (2)
140113C	25585	Tension (under thread) Screw Stud (2)
131809	25585	Tension (under thread) Screw Stud 140113C with 51570C (2)
131740	25585	Tension (under thread) Spring (2)
59537	25585	Tension (under thread) Spring Bushing (large) (2)
59538	25585	Tension (under thread) Spring Bushing (small) (2)
131696	25585	Tension (under thread) Thread Guide (2)
54245	25585	Tension (upper thread) Bracket
376J	25585	Tension (upper thread) Bracket Screw
2102	25585	Tension (upper thread) Disc (6)
51570C	25585	Tension (upper thread) Regulating Thumb Nut (3)
32572	25585	Tension (upper thread) Releasing Disc (3)
54988	25585	Tension (upper thread) Releasing Pin (3)
54246	25585	Tension (upper thread) Releasing Shaft
54047	25585	Tension (upper thread) Releasing Shaft Crank with 624AL
54048	25585	Tension (upper thread) Releasing Shaft Crank Link
624AL	25585	Tension (upper thread) Releasing Shaft Crank Set Screw
68261	25585	Tension (upper thread) Releasing Shaft Spring
316C	25585	Tension (upper thread) Releasing Shaft Stop Screw

No.	Plate	Name
1547J	25585	Tension (upper thread) Releasing Shaft Stop Screw Nut
50326C	25585	Tension (upper thread) Screw Stud (3)
59539	25585	Tension (upper thread) Screw Stud 50326C with 51570C (3)
131741	25585	Tension (upper thread) Spring (3)
59537	25585	Tension (upper thread) Spring Bushing (large) (3)
59538	25585	Tension (upper thread) Spring Bushing (small) (3)
54279	25585	Tension (upper thread) Thread Guide (double) (3)
168144	25585	Tension (upper thread) Thread Separator
168209	25579	Thread Carrying Finger
50624E	25579	Thread Carrying Finger Clamping Screw
131811	25579	Thread Carrying Finger Holder (segment) with 50624E
131812	25579	Thread Carrying Finger Holder Bracket
131868	25579	Thread Carrying Finger Holder Bracket 131812 with 212J, 226C, 131811, 131813 and 131814
1057AL	25579	Thread Carrying Finger Holder Bracket Screw (2)
212J	25579	Thread Carrying Finger Holder Cap Screw
131813	25579	Thread Carrying Finger Holder Slide Block
226C	25579	Thread Carrying Finger Holder Slide Block Cap Screw
131814	25579	Thread Carrying Finger Holder Slide Block Crank with 171AL
171AL	25579	Thread Carrying Finger Holder Slide Block Crank Clamping Screw
131815	25579	Thread Carrying Finger Oscillating Arm (forked) and Presser Bar Bushing (lower)
131816	25579	Thread Carrying Finger Oscillating Arm Slide Block
147518	25579	Thread Carrying Finger Oscillating Arm Slide Block 131816 with 131817 and 140645F
140645F	25579	Thread Carrying Finger Oscillating Arm Slide Block Cap Screw
131817	25579	Thread Carrying Finger Oscillating Arm Slide Block Holder with 462AL
131818	25579	Thread Carrying Finger Oscillating Arm Slide Block Holder Driving Stud
131819	25575	Thread Carrying Finger Oscillating Arm Slide Block Holder Driving Stud Bushing
50505C	25575	Thread Carrying Finger Oscillating Arm Slide Block Holder Driving Stud Bushing Set Screw
462AL	25579	Thread Carrying Finger Oscillating Arm Slide Block Holder Set Screw
131820	25579	Thread Carrying Finger Oscillating Arm Slide Block Holder Shaft
131821	25579	Thread Laying Finger
168048	25579	Thread Laying Finger Holder with 1057AL and two 50370AL
1057AL	25579	Thread Laying Finger Holder Clamping Screw
50370AL	25579	Thread Laying Finger Set Screw (2)
53225	25585	Thread (under) Eyelet (back)
190J	25585	Thread (under) Eyelet (back) Screw
168101	25564	Thread (under) Eyelet (front)
140180J	25564	Thread (under) Eyelet (front) Screw
7071	25564	Thread (under) Eyelet (front) Screw Washer
168051	25577	Thread (under) Take-up with three 50150AL
50150AL	25577	Thread (under) Take-up Set Screw (3)
168052	25564	Thread (under) Take-up Stripper
168053	25564	Thread (under) Take-up Stripper Bracket
176J	25564	Thread (under) Take-up Stripper Bracket Screw (2)
168102	25564	Thread (under) Take-up Stripper Plate
168103	25564	Thread (under) Take-up Stripper Plate Bracket
168104	25564	Thread (under) Take-up Stripper Plate Bracket 168103 with 17022, 51323J, 168052, 168053, 168101, 168102, 168105, 168106 and three each 176J, 7071 and 140180J
140407C	25564	Thread (under) Take-up Stripper Plate Bracket Screw



No.	Plate	Name
176J	25564	Thread (under) Take-up Stripper Plate Screw
51323J	25564	Thread (under) Take-up Stripper Screw
17022	25564	Thread (under) Take-up Stripper Screw Washer
168105	25564	Thread (under) Take-up Stripper Thread Guide
140180J	25564	Thread (under) Take-up Stripper Thread Guide Screw
7071	25564	Thread (under) Take-up Stripper Thread Guide Screw Washer
168106	25564	Thread (under) Take-up Stripper Thread Separator
140180J	25564	Thread (under) Take-up Stripper Thread Separator Screw
7071	25564	Thread (under) Take-up Stripper Thread Separator Screw Washer
168061	25585	Thread (upper) Eyelet
190J	25585	Thread (upper) Eyelet Screw
7071	25585	Thread (upper) Eyelet Screw Washer
168130	25579	Thread (upper) Take-up with 223J
223J	25579	Thread (upper) Take-up Clamping Screw
168045	25585	Thread (upper) Take-up (auxiliary)
131496	25585	Thread (upper) Take-up (auxiliary) Clamp
997J	25585	Thread (upper) Take-up (auxiliary) Clamp Screw
		Throat Plate (See Fittings Page Nos. 25 and 26)
742F	25586	Throat Plate Screw (2)

**SINGER** Needles should be used  
in **SINGER** Machines  
These Needles and their Containers  
are marked with the  
Company's Trade Mark "SIMANCO." 1

Needles in Containers marked  
"FOR SINGER MACHINES"  
are NOT **SINGER** made needles. 2

## LIST OF PARTS COMPLETE

FOR

**MACHINE No. 247-7**

FOR SEAMING AND WELTING AUTO SEAT COVERS, UP-HOLSTERY, CUSHIONS, TROUSERS, COATS AND SIMILAR WORK. THREE NEEDLES, TWO LOOPERS. REINFORCED STITCH. VERTICAL TRIMMER. INDEPENDENT UPPER AND UNDER FEED. NEEDLE BAR STROKE 1-3/8". CLEARANCE UNDER PRESSER FOOT 3/16". GAUGES BETWEEN LEFT AND CENTER NEEDLES 1/16" TO 1/4", IN STEPS OF 1/16", AND BETWEEN CENTER AND RIGHT NEEDLES 1/8" TO 1/4", IN STEPS OF 1/16". MAXIMUM DISTANCE BETWEEN OUTSIDE NEEDLES 3/8". SPEED 2400, DEPENDING ON MATERIAL USED AND OPERATION PERFORMED.

No.	Plate	Name
*168066		Arm, upper and lower (solid) with 948J, 68483 and four 131022
68428	25551	Arm Bottom Cover
68429	25551	Arm Bottom Cover Gasket (cork)
1057AL	25551	Arm Bottom Cover Screw (4)
50608R	25551	Arm Hole Plug Screw, for access to Crank Connecting Rod (upper bearing)
139017	25551	Arm Hole Plug Screw Washer
68350	25576	Arm Oil Cup, for oiling Arm Rock Shaft Front Bearing
131864	25578	Arm Oil Cup, for 131866
131865	25578	Arm Oil Cup Oil Gauge
131866	25578	Arm Oil Cup with Oil Gauge complete, for filling oil reservoir, Nos. 131864 and 131865
131319	25576	Arm Oil Cup Oil Pad (braided cotton) for 68350
168111	25576	Arm Rock Shaft and Front Crank with 803AL, 1235F, 50505C and 131819
1309C	25576	Arm Rock Shaft Adjusting Screw
131056	25576	Arm Rock Shaft Adjusting Screw Washer
68433	25576	Arm Rock Shaft Bushing (back)
68435	25576	Arm Rock Shaft Bushing (back) Cap
131095	25576	Arm Rock Shaft Bushing (back) Cap Washer (fiber)
446AL	25576	Arm Rock Shaft Bushing (back) Set Screw
68436	25576	Arm Rock Shaft Bushing (intermediate)
423AL	25576	Arm Rock Shaft Bushing (intermediate) Set Screw
131072	25578	Arm Rock Shaft Crank, back (ball bearing, solid) with two 50083AL
50083AL	25578	Arm Rock Shaft Crank (back) Set Screw (2)
131456	25576	Arm Rock Shaft Flanged Bushing (front)
453AL	25576	Arm Rock Shaft Flanged Bushing (front) Set Screw
42365	25576	Arm Rock Shaft Oil Pad (braided cotton) for oiling Back Bearing
54969	25576	Arm Rock Shaft Oil Pad (braided cotton) for oiling Intermediate Bearing
1235F	25576	Arm Rock Shaft Oil Plug Screw
168146	25578	Arm Rotary Shaft with 168215
168147		Arm Rotary Shaft 168146 with 131930 and 168010

No.	Plate	Name
131366	25578	Arm Rotary Shaft Ball Bearing (back) (2)
131478	25578	Arm Rotary Shaft Ball Bearing (back) Case
131479		Arm Rotary Shaft Ball Bearing (back) Case 131478 with 131369 and three 205C
131526		Arm Rotary Shaft Ball Bearing (back) Case with Ball Bearings complete, Nos. 131479, 131480 and two 131366
131369	25578	Arm Rotary Shaft Ball Bearing (back) Case Cap
205C	25578	Arm Rotary Shaft Ball Bearing (back) Case Cap Screw (3)
131370	25578	Arm Rotary Shaft Ball Bearing (back) Case Position Stud (3)
429C	25578	Arm Rotary Shaft Ball Bearing (back) Case Set Screw
131480	25578	Arm Rotary Shaft Ball Bearing (back) Spacing Collar
131366	25578	Arm Rotary Shaft Ball Bearing (intermediate)
131481	25578	Arm Rotary Shaft Ball Bearing (intermediate) Case
1304C	25578	Arm Rotary Shaft Ball Bearing (intermediate) Case Set Screw
131482	25578	Arm Rotary Shaft Ball Bearing (intermediate) Collar with two 457AL
457AL	25578	Arm Rotary Shaft Ball Bearing (intermediate) Collar Set Screw (2)
131959	25578	Arm Rotary Shaft Bushing (front)
68497	25578	Arm Rotary Shaft Bushing (front) Bearing Oil Pad (wick)
*68483		Arm Rotary Shaft Bushing (front) Bracket with 761E
948J	25578	Arm Rotary Shaft Bushing (front) Bracket Screw
131028	25578	Arm Rotary Shaft Bushing (front) Oil Plug
761E	25578	Arm Rotary Shaft Bushing (front) Position Screw
131457	25578	Arm Rotary Shaft Bushing (intermediate)
761E	25578	Arm Rotary Shaft Bushing (intermediate) Position Screw
42367	25578	Arm Rotary Shaft Bushing (intermediate) Oil Pad, lower (braided cotton)
54218	25578	Arm Rotary Shaft Bushing (intermediate) Oil Pad, upper (braided cotton)
168215	25578	Arm Rotary Shaft Oil Wick
144D	25578	Arm Rotary Shaft Screw
131276	25551	Arm Side Cover (oil vent)
131909	25551	Arm Side Cover Cap
131280	25551	Arm Side Cover Cap Position Pin
1289X	25551	Arm Side Cover Cap Screw
131910	25551	Arm Side Cover Cap Spring
131911	25551	Arm Side Cover (oil vent) complete, Nos. 1289X, 131276, 131280, 131909 and 131910
68448	25551	Arm Side Cover Gasket
1057AL	25551	Arm Side Cover Screw (4)
168067	25555	Chip Chute
168068	25555	Chip Chute Arm
74C	25555	Chip Chute Arm Hinge Screw
6465	25555	Chip Chute Arm Hinge Screw Friction Washer
671W	25555	Chip Chute Arm Lock Thumb Screw
164E	25555	Chip Chute Screw (2)
169300	25555	Cloth Plate (sectional) with two 1011F
1011F	25555	Cloth Plate Connecting Block Screw (2)
168071	25555	Cloth Plate Slide
38419	25555	Cloth Plate Slide Spring
665J	25555	Cloth Plate Slide Spring Screw (2)
168072	25555	Cloth Plate Slide complete, Nos. 38419, 168071 and two 665J
168301	25555	Cloth Plate (sectional) complete, Nos. 168072 and 168300
1011F	25555	Cloth Plate Screw (left) (2)
742F	25555	Cloth Plate Screw (right)
*131926	25578	Crank Connecting Rod with two each 1057AL, 51715AL, 131927 and 131928

NOTE: When No. 131926 is required for repairs, Connecting Rod and Arm Rock Shaft Crank (back) fitted together will be furnished. All Agency orders for the part must state the Machine No. for which it is required, in order to obtain correct Needle Bar Stroke.

No.	Plate	Name
131930		Crank Connecting Rod 131926 with 131072
131927	25578	Crank Connecting Rod Cap (lower) Screw Stud (2)
51715AL	25578	Crank Connecting Rod Cap (lower) Screw Stud Nut (2)
131928	25578	Crank Connecting Rod Cap (lower) Screw Stud Nut Lock Washer (2)
1057AL	25578	Crank Connecting Rod Cap (upper) Screw (2)
168112	25580	Face Plate
142J	25580	Face Plate Screw (3)
140275J	25589	Feed Dog (See Fittings Page Nos. 26, 27 and 28)
460AL	25582	Feed Dog Screw, for use with Movable Needle Guard
168148	25582	Feed Dog Stop Screw
131730	25582	Feed (lower) Bar with 620AL
190J	25582	Feed (lower) Bar Feed Dog Seat (adjustable) with 460AL
22436	25582	Feed (lower) Bar Feed Dog Seat Screw
168149		Feed (lower) Bar Feed Dog Seat Screw Washer
		Feed (lower) Bar and Feed Dog Leveling Device complete, Nos. 190J, 22436, 131730 and 168148
131197	25582	Feed (lower) Bar Hinge Pin (eccentric)
59343	25582	Feed (lower) Bar Hinge Pin Collar with 735AL
735AL	25582	Feed (lower) Bar Hinge Pin Collar Set Screw
168076	25582	Feed (lower) Bar Slide Block (two pieces)
131500	25578	Feed (lower) Connecting Rod with 1057AL, 68497, 134260 and two 896AL
168010		Feed (lower) Connecting Rod 131500 with 168011
896AL	25578	Feed (lower) Connecting Rod Cap Screw (2)
1057AL	25578	Feed (lower) Connecting Rod Clamping Screw
68497	25578	Feed (lower) Connecting Rod Oil Pad (wick)
134260	25578	Feed (lower) Connecting Rod Oil Pad Retainer
51061AL	25578	Feed (lower) Eccentric Body Set Screw (3)
7071	25578	Feed (lower) Eccentric Clamping Washer (2)
217J	25578	Feed (lower) Eccentric Clamping Washer Screw (2)
138306		Feed (lower) Eccentric Lubricating Pad (wood)
168011		Feed (lower) Eccentric (adjustable) complete, Nos. 1103C, 138306, two each 217J, 7071 and three 51061AL
168151	25578	Feed (lower) Lifting Eccentric with three 624AL
624AL	25578	Feed (lower) Lifting Eccentric Set Screw (3)
1103C	25578	Feed (lower) Regulating Screw
168244	25582	Feed (lower) Rocking Frame with two 453AL
168245		Feed (lower) Rocking Frame 168244 with 20437, 50581R and 168247
168246		Feed (lower) Rocking Frame 168245 with 59343, 131197, 132583 and 168149
57234	25582	Feed (lower) Rocking Frame Hinge Pin
57235	25582	Feed (lower) Rocking Frame Hinge Pin Bushing (2)
453AL	25582	Feed (lower) Rocking Frame Hinge Pin Bushing Set Screw (2)
453AL	25582	Feed (lower) Rocking Frame Hinge Pin Set Screw (2)
168114	25584	Feed (upper) Bar
168115		Feed (upper) Bar 168114 with 199J, 52595, 54143, 131647, 131690 and three 1423W
54143	25584	Feed (upper) Bar Connecting Link (lower)
1423W	25584	Feed (upper) Bar Connecting Link (lower) Cap Screw (2)
131647	25584	Feed (upper) Bar Connecting Link (upper)
199J	25584	Feed (upper) Bar Connecting Link (upper) Cap Screw (large)
1423W	25584	Feed (upper) Bar Connecting Link (upper) Cap Screw (small)
131648	25584	Feed (upper) Bar Connecting Link (upper) Cushion (Textolite)
131649	25580	Feed (upper) Bar Lifting Bracket with 1250AL
1250AL	25580	Feed (upper) Bar Lifting Bracket Position Screw
192274	25584	Feed (upper) Bar Spring
140173C	25584	Feed (upper) Bar Spring Cap Screw

No.	Plate	Name
131650	25584	Feed (upper) Bar Spring Thimble
131651	25584	Feed (upper) Bell Crank
131690		Feed (upper) Bell Crank 131651 with 131648, 131650, 140173C and 192274
131621	25584	Feed (upper) Bell Crank Connection with 140268AL
140268AL	25584	Feed (upper) Bell Crank Connection Clamping Screw
54147	25584	Feed (upper) Bell Crank Connection Sleeve
168117	25584	Feed (upper) Bell Crank Hinge Bracket
168118	25584	Feed (upper) Bell Crank Hinge Bracket Screw Stud
1662C	25584	Feed (upper) Bell Crank Hinge Bracket Screw Stud Nut (2)
20437	25584	Feed (upper) Bell Crank Hinge Bracket Screw Stud Nut Washer (2)
140415C	25584	Feed (upper) Bell Crank Hinge Bracket Screw
168116	25576	Feed (upper) Driving Crank
51191E	25576	Feed (upper) Driving Crank Screw
168119	25584	Feed (upper) Regulator with 140123C
168121	25584	Feed (upper) Regulator Connection
168247	25584	Feed (upper) Regulator Connection Hinge Bracket
50581R	25584	Feed (upper) Regulator Connection Hinge Bracket Screw
20437	25584	Feed (upper) Regulator Connection Hinge Bracket Screw Washer
41C	25584	Feed (upper) Regulator Connection Hinge Screw
1650C	25584	Feed (upper) Regulator Connection Hinge Screw Nut
50950C	25584	Feed (upper) Regulator Connection Hinge Screw Stud
51552C	25584	Feed (upper) Regulator Connection Hinge Screw Stud Nut
42523	25584	Feed (upper) Regulator Connection Hinge Screw Stud Nut Washer
140123C	25584	Feed (upper) Regulator Set Screw
168120	25584	Feed (upper) Regulator Shaft
52595	25584	Feed (upper) Regulator Shaft Crank with 1057AL
1057AL	25584	Feed (upper) Regulator Shaft Crank Clamping Screw
168288	25589	Feeding Foot
203J	25586	Feeding Foot Screw
168080	25560	Knife (movable)
1000C	25560	Knife (movable) Clamping Screw
168081	25560	Knife (movable) Holder with 1000C
42038	25560	Knife (movable) Holder Guide with 336F
42039	25560	Knife (movable) Holder Guide Plate
621E	25560	Knife (movable) Holder Guide Plate Screw (2)
336F	25560	Knife (movable) Holder Guide Screw
42041	25560	Knife (movable) Holder Spring
168082	25560	Knife (movable) Lever with 1178C and 20437
168187		Knife (movable) Lever 168082 with 1722J, 14017, 132583 and 168086
168083	25560	Knife (movable) Lever Bearing Arm
168084	25560	Knife (movable) Lever Bearing Arm Bracket
172E	25560	Knife (movable) Lever Bearing Arm Bracket Screw (2)
54369	25560	Knife (movable) Lever Bearing Arm Collar with two 465AL
465AL	25560	Knife (movable) Lever Bearing Arm Collar Set Screw (2)
1178C	25560	Knife (movable) Lever Clamping Screw
20437	25560	Knife (movable) Lever Clamping Screw Washer
168085	25560	Knife (movable) Lever Connecting Link
132583	25560	Knife (movable) Lever Connecting Link Hinge Pin with 132584 (2)
132584	25560	Knife (movable) Lever Connecting Link Hinge Pin Oil Pad (wick) (2)
620AL	25560	Knife (movable) Lever Connecting Link Hinge Pin Set Screw (2)
168086	25560	Knife (movable) Lever Connection with 620AL
1722J	25560	Knife (movable) Lever Connection Nut
14017	25560	Knife (movable) Lever Connection Nut Washer
168087	25560	Knife (movable) Lever Hinge Screw Stud
1756J	25560	Knife (movable) Lever Hinge Screw Stud Nut

No.	Plate	Name
168088	25560	Knife (stationary)
168089	25560	Knife (stationary) Clamping Plate
168090	25560	Knife (stationary) Holder
448AL	25560	Knife (stationary) Holder Set Screw
1253AL	25560	Knife (stationary) Set Screw
168195	25561	Looper (back)
168196	25561	Looper (front)
208AL	25561	Looper (front) Screw (2)
168197	25561	Loopers complete, Nos. 168195, 168196 and two 208AL
168016	25561	Looper Carrier
168208		Looper Carrier 168016 with 132583, 168019, 168020, 168021 and 168023
168238		Looper Carrier 168208 with 168017 and 168205
168017	25561	Looper Carrier Shaft with 1231E
168018	25561	Looper Carrier Shaft Crank with two 1057AL
1057AL	25561	Looper Carrier Shaft Crank Clamping Screw (2)
68497	25578	Looper Carrier Shaft Oil Pad (wick)
1231E	25561	Looper Carrier Shaft Plug Screw
1497C	25561	Looper Carrier Shaft Set Screw
168151	25578	Looper (avoiding motion) Eccentric with three 624AL
168019	25561	Looper (avoiding motion) Eccentric Connection with 223C
132583	25561	Looper (avoiding motion) Eccentric Connection Hinge Pin with 132584
132584	25561	Looper (avoiding motion) Eccentric Connection Hinge Pin Oil Wick
223C	25561	Looper (avoiding motion) Eccentric Connection Hinge Pin Set Screw
168020	25561	Looper (avoiding motion) Eccentric Connection Holder
168021	25561	Looper (avoiding motion) Eccentric Connection Holder Screw Bushing
168022	25561	Looper (avoiding motion) Eccentric Connection Holder Screw Bushing Bearing
448AL	25561	Looper (avoiding motion) Eccentric Connection Holder Screw Bushing Set Screw (2)
168023	25561	Looper (avoiding motion) Eccentric Connection Holder Thrust Bearing
624AL	25578	Looper (avoiding motion) Eccentric Set Screw (3)
168024	25561	Looper (driving) Eccentric with three 1036AL
168025	25561	Looper (driving) Eccentric Connection with two each 175C and 140159AL
168205		Looper (driving) Eccentric Connection 168025 with 50138E, 168018, 168024 and 168026
175C	25561	Looper (driving) Eccentric Connection Cap (lower) Screw (2)
140159AL	25561	Looper (driving) Eccentric Connection Cap (upper) Screw (2)
168026	25561	Looper (driving) Eccentric Connection Position Plate
50138E	25561	Looper (driving) Eccentric Connection Position Plate Screw
1036AL	25561	Looper (driving) Eccentric Set Screw (3)
131504	25561	Looper Holder with 1120AL
51119J	25561	Looper Holder Screw
1120AL	25561	Looper Set Screw
131914	25578	Machine Driving Pulley, "V" belt groove (outside diam. of belt groove 2.9 in.) with two 51283AL, for 3/8 in. "V" belt
51283AL	25578	Machine Driving Pulley Set Screw (2)
131497	25580	Needle Bar (hollow)
		Needle Bar complete (See Fittings Page Nos. 26, 27 and 28)
168210	25580	Needle Bar Bushing (lower)
1133E	25580	Needle Bar Bushing (lower) Set Screw
64320	25580	Needle Bar Bushing (upper)
1133E	25580	Needle Bar Bushing (upper) Set Screw
168030	25580	Needle Bar Connecting Link
168031		Needle Bar Connecting Link 168030 with 68489 and 131492
68489	25580	Needle Bar Connecting Link Hinge Stud (hollow)

No.	Plate	Name
1520J	25580	Needle Bar Connecting Link Hinge Stud Nut
131270	25580	Needle Bar Connecting Link Hinge Stud Oil Pad (wick)
861C	25580	Needle Bar Connecting Link Hinge Stud Oil Plug Screw
853AL	25576	Needle Bar Connecting Link Hinge Stud Set Screw
131492	25580	Needle Bar Connecting Stud with 1492E
1492E	25580	Needle Bar Connecting Stud Clamping Screw
		Needle Clamp (See Fittings Page Nos. 26, 27 and 28)
68123	25589	Needle Guard (movable) Clamp
904AL	25580	Needle Set Screw (back) (2)
906AL	25580	Needle Set Screw (front)
68492	25562	Oil Pipe (back of arm) with 68497 for oiling Feed Rocking Frame Hinge Pin Front Bearing
68493	25562	Oil Pipe (back of arm) Clamp
176E	25562	Oil Pipe (back of arm) Clamp Screw
68494	25562	Oil Pipe (back of arm) Connection with 68495 and two 198E, for oiling Feed Rocking Frame Hinge Pin Back Bearing
198E	25562	Oil Pipe (back of arm) Connection Cap Screw (2)
68495	25562	Oil Pipe (back of arm) Connection Oil Pad (wick)
68496	25562	Oil Pipe (back of arm) Coupling
1733	25562	Oil Pipe (back of arm) Coupling Nut (brass)
68497	25562	Oil Pipe (back of arm) Oil Pad (wick)
168036	25562	Oil Pipe (front of arm, long) with two 1733
168037		Oil Pipe (front of arm, long) complete, Nos. 168036, 168038 and 168039
131004	25562	Oil Pipe (front of arm, long) Coupling (left)
131798	25562	Oil Pipe (front of arm, long) Coupling (right)
1733	25562	Oil Pipe (front of arm, long) Coupling Nut (brass) (2)
168038	25562	Oil Pipe (front of arm, long) Oil Lead with 1733 and 131003, for oiling Arm Rotary Shaft Front Bearing
168039	25562	Oil Pipe (front of arm, long) Oil Lead with 68497 and 131003, for oiling Feed Connecting Rod
131003	25562	Oil Pipe (front of arm, long) Oil Lead Connection with two 198E, for 168038 and 168039 (2)
198E	25562	Oil Pipe (front of arm, long) Oil Lead Connection Cap Screw (4)
131004	25562	Oil Pipe (front of arm, long) Oil Lead Coupling
1733	25562	Oil Pipe (front of arm, long) Oil Lead Coupling Nut (brass)
68497	25562	Oil Pipe (front of arm, long) Oil Lead Oil Pad (wick)
168040	25562	Oil Pipe (front of arm, short) with 131089 and two 1733
131004	25562	Oil Pipe (front of arm, short) Coupling (2)
1733	25562	Oil Pipe (front of arm, short) Coupling Nut (brass) (2)
131089		Oil Pipe (front of arm, short) Oil Pad (wick)
168097	25555	Oil Splash Guard
330J	25555	Oil Splash Guard Screw (2)
168042	25555	Oil Splash Guard (side of arm)
5403E	25555	Oil Splash Guard (side of arm) Holder
190J	25555	Oil Splash Guard (side of arm) Holder Screw
217J	25555	Oil Splash Guard (side of arm) Screw
168125	25580	Presser Bar
38456	25580	Presser Bar Bushing (upper)
1133E	25580	Presser Bar Bushing (upper) Set Screw
168126	25580	Presser Bar Lifting Bracket with 1441AL
168127	25580	Presser Bar Lifting Bracket Guide
453AL	25580	Presser Bar Lifting Bracket Guide Set Screw
1441AL	25580	Presser Bar Lifting Bracket Set Screw
168128	25585	Presser Bar Lifting Lever
168043	25585	Presser Bar Lifting Lever Extension (back)
161J	25585	Presser Bar Lifting Lever Extension (back) Screw (2)
168129	25585	Presser Bar Lifting Lever Extension (front)
172J	25585	Presser Bar Lifting Lever Extension (front) Screw (2)
802X	25585	Presser Bar Lifting Lever Hinge Screw
131749	25551	Presser Bar Spring
131750	25551	Presser Bar Spring (auxiliary)

No.	Plate	Name
38468	25551	Presser Bar Spring Stud
168044	25551	Presser Bar Spring complete, Nos. 269W, 1637J, 131749, 131750 and 131752
		Presser Foot (hinged) complete (See Fittings Page Nos. 26, 27 and 28)
	176J	Presser Foot Screw
	269W	Pressure Regulating Thumb Screw
	1637J	Pressure Regulating Thumb Screw Lock Nut
131752	25551	Pressure Regulating Thumb Screw Washer
168046	25580	Tension (thread covering) Controller Eyelet
	208AL	Tension (thread covering) Controller Eyelet Screw
	2102	Tension (thread covering) Disc (2)
	51570C	Tension (thread covering) Regulating Thumb Nut
	32572	Tension (thread covering) Releasing Disc
	54988	Tension (thread covering) Releasing Pin
	50326C	Tension (thread covering) Screw Stud
	59539	Tension (thread covering) Screw Stud 50326C with 51570C
131740	25585	Tension (thread covering) Spring
59537	25585	Tension (thread covering) Spring Bushing (large)
59538	25585	Tension (thread covering) Spring Bushing (small)
54279	25585	Tension (thread covering) Thread Guide (double)
168047	25580	Tension (thread covering) Thread Guide
	335J	Tension (thread covering) Thread Guide Screw
	2102	Tension (under thread) Disc (4)
	51570C	Tension (under thread) Regulating Thumb Nut (2)
140113C	25585	Tension (under thread) Screw Stud (2)
131809	25585	Tension (under thread) Screw Stud 140113C with 51570C (2)
131740	25585	Tension (under thread) Spring (2)
59537	25585	Tension (under thread) Spring Bushing (large) (2)
59538	25585	Tension (under thread) Spring Bushing (small) (2)
131696	25585	Tension (under thread) Thread Guide (2)
54245	25585	Tension (upper thread) Bracket
	376J	Tension (upper thread) Bracket Screw
	2102	Tension (upper thread) Disc (6)
	51570C	Tension (upper thread) Regulating Thumb Nut (3)
32572	25585	Tension (upper thread) Releasing Disc (3)
54988	25585	Tension (upper thread) Releasing Pin (3)
54246	25585	Tension (upper thread) Releasing Shaft
54047	25585	Tension (upper thread) Releasing Shaft Crank with 624AL
54048	25585	Tension (upper thread) Releasing Shaft Crank Link
	624AL	Tension (upper thread) Releasing Shaft Crank Set Screw
68261	25585	Tension (upper thread) Releasing Shaft Spring
	316C	Tension (upper thread) Releasing Shaft Stop Screw
	1547J	Tension (upper thread) Releasing Shaft Stop Screw Nut
	50326C	Tension (upper thread) Screw Stud (3)
	59539	Tension (upper thread) Screw Stud 50326C with 51570C (3)
131741	25585	Tension (upper thread) Spring (3)
59537	25585	Tension (upper thread) Spring Bushing (large) (3)
59538	25585	Tension (upper thread) Spring Bushing (small) (3)
54279	25585	Tension (upper thread) Thread Guide (double) (3)
168144	25585	Tension (upper thread) Thread Separator
168209	25580	Thread Carrying Finger
50624E	25580	Thread Carrying Finger Clamping Screw
131811	25580	Thread Carrying Finger Holder (segment) with 50624E
131812	25580	Thread Carrying Finger Holder Bracket
131868		Thread Carrying Finger Holder Bracket 131812 with 212J, 226C, 131811, 131813 and 131814
	1057AL	Thread Carrying Finger Holder Bracket Screw (2)
	212J	Thread Carrying Finger Holder Cap Screw
131813	25580	Thread Carrying Finger Holder Slide Block
	226C	Thread Carrying Finger Holder Slide Block Cap Screw
131814	25580	Thread Carrying Finger Holder Slide Block Crank with 171AL

No.	Plate	Name
171AL	25580	Thread Carrying Finger Holder Slide Block Crank Clamping Screw.....
131815	25580	Thread Carrying Finger Oscillating Arm (forked) and Presser Bar Bushing (lower).....
131816	25580	Thread Carrying Finger Oscillating Arm Slide Block.....
147518		Thread Carrying Finger Oscillating Arm Slide Block 131816 with 131817 and 140645F.....
140645F	25580	Thread Carrying Finger Oscillating Arm Slide Block Cap Screw.....
131817	25580	Thread Carrying Finger Oscillating Arm Slide Block Holder with 462AL.....
131818	25580	Thread Carrying Finger Oscillating Arm Slide Block Holder Driving Stud.....
131819	25576	Thread Carrying Finger Oscillating Arm Slide Block Holder Driving Stud Bushing.....
50505C	25576	Thread Carrying Finger Oscillating Arm Slide Block Holder Driving Stud Bushing Set Screw.....
462AL	25580	Thread Carrying Finger Oscillating Arm Slide Block Holder Set Screw.....
131820	25580	Thread Carrying Finger Oscillating Arm Slide Block Holder Shaft.....
131821	25580	Thread Laying Finger.....
168048	25580	Thread Laying Finger Holder with 1057AL and two 50370AL.....
1057AL	25580	Thread Laying Finger Holder Clamping Screw.....
50370AL	25580	Thread Laying Finger Set Screw (2).....
53225	25585	Thread (under) Eyelet (back).....
190J	25585	Thread (under) Eyelet (back) Screw.....
168101	25564	Thread (under) Eyelet (front).....
140180J	25564	Thread (under) Eyelet (front) Screw.....
7071	25564	Thread (under) Eyelet (front) Screw Washer.....
168051	25578	Thread (under) Take-up with three 50150AL.....
50150AL	25578	Thread (under) Take-up Set Screw (3).....
168052	25564	Thread (under) Take-up Stripper.....
168053	25564	Thread (under) Take-up Stripper Bracket.....
176J	25564	Thread (under) Take-up Stripper Bracket Screw (2).....
168102	25564	Thread (under) Take-up Stripper Plate.....
168103	25564	Thread (under) Take-up Stripper Plate Bracket.....
168104	25564	Thread (under) Take-up Stripper Plate Bracket 168103 with 17022, 51323J, 168052, 168053, 168101, 168102, 168105, 168106 and three each 176J, 7071 and 140180J.....
140407C	25564	Thread (under) Take-up Stripper Plate Bracket Screw.....
176J	25564	Thread (under) Take-up Stripper Plate Screw.....
51323J	25564	Thread (under) Take-up Stripper Screw.....
17022	25564	Thread (under) Take-up Stripper Screw Washer.....
168105	25564	Thread (under) Take-up Stripper Thread Guide.....
140180J	25564	Thread (under) Take-up Stripper Thread Guide Screw.....
7071	25564	Thread (under) Take-up Stripper Thread Guide Screw Washer.....
168106	25564	Thread (under) Take-up Stripper Thread Separator.....
140180J	25564	Thread (under) Take-up Stripper Thread Separator Screw.....
7071	25564	Thread (under) Take-up Stripper Thread Separator Screw Washer.....
168061	25585	Thread (upper) Eyelet.....
190J	25585	Thread (upper) Eyelet Screw.....
7071	25585	Thread (upper) Eyelet Screw Washer.....
168130	25580	Thread (upper) Take-up with 223J.....
223J	25580	Thread (upper) Take-up Clamping Screw.....
168045	25585	Thread (upper) Take-up (auxiliary).....
131496	25585	Thread (upper) Take-up (auxiliary) Clamp.....
997J	25585	Thread (upper) Take-up (auxiliary) Clamp Screw.....
		Throat Plate (See Fittings Page Nos. 26, 27 and 28).....
742F	25586	Throat Plate Screw (2).....

## FITTINGS FOR 247-6 MACHINE

FOR 1/8 IN.—1/16 IN., 1/8 IN.—1/8 IN.

AND 3/16 IN.—1/16 GAUGES

No.	Plate	Name
168235	25586	Feed (back) Dog, 12 teeth (16 teeth to the inch).....
168236	25586	Feed (front) Dog, 12 teeth (16 teeth to the inch).....
168288	25586	Feeding Foot (no gauge required).....
131497	25586	Needle Bar (hollow).....
168094	25586	Needle Bar complete, Nos. 131497 and 168095.....
168095	25586	Needle Clamp with 906AL and two 904AL.....
168239	25586	Needle Guard (movable) for 1/8 in.—1/16 in. and 1/8 in.—1/8 in. gauges.....
168293	25586	Needle Guard (movable) for 3/16 in.—1/16 in. gauge.....
904AL	25586	Needle Set Screw (back) (2).....
906AL	25586	Needle Set Screw (front).....
168248	25586	Presser Foot Guard.....
228J	25586	Presser Foot Guard Screw.....
7298	25586	Presser Foot Hinge Pin.....
168280	25586	Presser Foot Plate.....
168099	25586	Presser Foot Shank.....
168281	25586	Presser Foot (hinged) complete, Nos. 228J, 7298, 168099, 168248 and 168280.....
168233	25586	Throat Plate.....
168234	25586	Throat Plate 168233 with 168109 and two 706W.....
168109	25586	Throat Plate Thread Retainer.....
706W	25586	Throat Plate Thread Retainer Screw (2).....

## FITTINGS FOR 247-6 MACHINE

FOR 1/8 IN.—3/16 IN., 1/8 IN.—1/4 IN., 3/16 IN.—

1/8 IN. AND 3/16 IN.—3/16 IN. GAUGES

168077	25587	Feed (back) Dog, 10 teeth (16 teeth to the inch).....
168078	25587	Feed (front) Dog, 12 teeth (16 teeth to the inch).....
168288	25587	Feeding Foot (no gauge required).....
131497	25587	Needle Bar (hollow).....
168094	25587	Needle Bar complete, Nos. 131497 and 168095.....
168095	25587	Needle Clamp with 906AL and two 904AL.....
168294	25587	Needle Guard (movable) for 1/8 in.—3/16 in. and 1/8 in.—1/4 in. gauges.....
168293	25587	Needle Guard (movable) for 3/16 in.—1/8 in. gauge.....
168096	25587	Needle Guard (movable) for 3/16 in.—3/16 in. gauge.....
904AL	25587	Needle Set Screw (back) (2).....
906AL	25587	Needle Set Screw (front).....
168248	25587	Presser Foot Guard.....
228J	25587	Presser Foot Guard Screw.....
7298	25587	Presser Foot Hinge Pin.....
168280	25587	Presser Foot Plate.....
168099	25587	Presser Foot Shank.....
168281	25587	Presser Foot (hinged) complete, Nos. 228J, 7298, 168099, 168248 and 168280.....
168107	25587	Throat Plate.....
168108	25587	Throat Plate 168107 with 168109 and two 706W.....
168109	25587	Throat Plate Thread Retainer.....
706W	25587	Throat Plate Thread Retainer Screw (2).....

**FITTINGS FOR 247-6 MACHINE**

FOR 1/4 IN.—1/16 IN. AND 1/4 IN.—1/8 IN. GAUGES

No.	Plate	Name
168132	25588	Feed (back) Dog, 12 teeth (16 teeth to the inch)
168133	25588	Feed (front) Dog, 12 teeth (16 teeth to the inch)
168288	25588	Feeding Foot (no gauge required)
131497	25588	Needle Bar (hollow)
168094	25588	Needle Bar complete, Nos. 131497 and 168095
168095	25588	Needle Clamp with 906AL and two 904AL
168295	25588	Needle Guard (movable) for 1/4 in.—1/16 in. gauge
168096	25588	Needle Guard (movable) for 1/4 in.—1/8 in. gauge
904AL	25588	Needle Set Screw (back) (2)
906AL	25588	Needle Set Screw (front)
168248	25588	Presser Foot Guard
228J	25588	Presser Foot Guard Screw
7298	25588	Presser Foot Hinge Pin
168280	25588	Presser Foot Plate
168099	25588	Presser Foot Shank
168281	25588	Presser Foot (hinged) complete, Nos. 228J, 7298, 168099, 168248 and 168280
168134	25588	Throat Plate
168135	25588	Throat Plate 168134 with 168109 and two 706W
168109	25588	Throat Plate Thread Retainer
706W	25588	Throat Plate Thread Retainer Screw (2)

**FITTINGS FOR 247-7 MACHINE**FOR 1/8 IN.—1/16 IN., 1/8 IN.—1/8 IN.  
AND 3/16 IN.—1/16 IN. GAUGES

168252	25589	Feed Dog, 25 teeth (16 teeth to the inch)
168288	25589	Feeding Foot (no gauge required)
131497	25589	Needle Bar (hollow)
168094	25589	Needle Bar complete, Nos. 131497 and 168095
168095	25589	Needle Clamp with 906AL and two 904AL
168200	25589	Needle Guard (movable) for 1/8 in.—1/16 in. and 1/8 in.—1/8 in. gauges
168199	25589	Needle Guard (movable) for 3/16 in.—1/16 in. gauge
904AL	25589	Needle Set Screw (back) (2)
906AL	25589	Needle Set Screw (front)
168248	25589	Presser Foot Guard
228J	25589	Presser Foot Guard Screw
7298	25589	Presser Foot Hinge Pin
168280	25589	Presser Foot Plate
168099	25589	Presser Foot Shank
168281	25589	Presser Foot (hinged) complete, Nos. 228J, 7298, 168099, 168248 and 168280
168233	25589	Throat Plate
168234	25589	Throat Plate 168233 with 168109 and two 706W
168109	25589	Throat Plate Thread Retainer
706W	25589	Throat Plate Thread Retainer Screw (2)

**FITTINGS FOR 247-7 MACHINE**FOR 1/8 IN.—3/16 IN., 1/8 IN.—1/4 IN., 3/16 IN.—1/8 IN.  
AND 3/16 IN.—3/16 IN. GAUGES

No.	Plate	Name
168162	25590	Feed Dog, 25 teeth (16 teeth to the inch)
168150	25590	Feed Dog, 16 teeth (10 teeth to the inch)
168288	25590	Feeding Foot (no gauge required)
131497	25590	Needle Bar (hollow)
168094	25590	Needle Bar complete, Nos. 131497 and 168095
168095	25590	Needle Clamp with 906AL and two 904AL
168153	25590	Needle Guard (movable)
904AL	25590	Needle Set Screw (back) (2)
906AL	25590	Needle Set Screw (front)
168248	25590	Presser Foot Guard
228J	25590	Presser Foot Guard Screw
7298	25590	Presser Foot Hinge Pin
168280	25590	Presser Foot Plate
168099	25590	Presser Foot Shank
168281	25590	Presser Foot (hinged) complete, Nos. 228J, 7298, 168099, 168248 and 168280
168107	25590	Throat Plate
168108	25590	Throat Plate 168107 with 168109 and two 706W
168109	25590	Throat Plate Thread Retainer
706W	25590	Throat Plate Thread Retainer Screw (2)

**FITTINGS FOR 247-7 MACHINE**

FOR 1/4 IN.—1/16 IN. AND 1/4 IN.—1/8 IN. GAUGES

168253	25591	Feed Dog, 26 teeth (16 teeth to the inch)
168288	25591	Feeding Foot (no gauge required)
131497	25591	Needle Bar (hollow)
168094	25591	Needle Bar complete, Nos. 131497 and 168095
168095	25591	Needle Clamp with 906AL and two 904AL
168153	25591	Needle Guard (movable)
904AL	25591	Needle Set Screw (back) (2)
906AL	25591	Needle Set Screw (front)
168248	25591	Presser Foot Guard
228J	25591	Presser Foot Guard Screw
7298	25591	Presser Foot Hinge Pin
168280	25591	Presser Foot Plate
168099	25591	Presser Foot Shank
168281	25591	Presser Foot (hinged) complete, Nos. 228J, 7298, 168099, 168248 and 168280
168134	25591	Throat Plate
168135	25591	Throat Plate 168134 with 168109 and two 706W
168109	25591	Throat Plate Thread Retainer
706W	25591	Throat Plate Thread Retainer Screw (2)

**FITTINGS FOR 247-7 MACHINE**

**FOR MAKING AND JOINING THE WELT IN ONE OPERATION  
FOR AUTO SEAT COVERS, FOR 3/16 IN.—3/16 IN. GAUGE**

No.	Plate	Name
168150	25592	Feed Dog, 16 teeth (10 teeth to the inch)
168289	25592	Feeding Foot (no gauge required)
131497	25592	Needle Bar (hollow)
168094	25592	Needle Bar complete, Nos. 131497 and 168095
168095	25592	Needle Clamp with 906AL and two 904AL
168153	25592	Needle Guard (movable)
904AL	25592	Needle Set Screw (back) (2)
906AL	25592	Needle Set Screw (front)
168248	25592	Presser Foot Guard
228J	25592	Presser Foot Guard Screw
7298	25592	Presser Foot Hinge Pin
168291	25592	Presser Foot Plate
168099	25592	Presser Foot Shank
168292	25592	Presser Foot (hinged) complete, Nos. 228J, 7298, 168099, 168248 and 168291
168160	25592	Throat Plate

**FITTINGS FOR 247-7 MACHINE**

**FOR 3/16 IN.—3/16 IN. GAUGE, FOR MOULDED PLASTIC WELTING,  
FOR AUTO SEAT COVERS**

168150	25596	Feed Dog, 16 teeth (10 teeth to the inch)
168289	25596	Feeding Foot (no gauge required)
131497	25596	Needle Bar (hollow)
168094	25596	Needle Bar complete, Nos. 131497 and 168095
168095	25596	Needle Clamp with 906AL and two 904AL
168153	25596	Needle Guard (movable)
904AL	25596	Needle Set Screw (back) (2)
906AL	25596	Needle Set Screw (front)
168248	25596	Presser Foot Guard
228J	25596	Presser Foot Guard Screw
7298	25596	Presser Foot Hinge Pin
168291	25596	Presser Foot Plate
168099	25596	Presser Foot Shank
168292	25596	Presser Foot (hinged) complete, Nos. 228J, 7298, 168099, 168248 and 168291
168160	25596	Throat Plate

**WELTING ATTACHMENT**

160766	25592	Welting Attachment for 5/8 in. Welting
160771	25593	Welting Attachment for 7/8 in. Welting
NOTE: When ordering Nos. 160766 or 160771, sample of cord must be submitted.		
160767	25592	Welting Attachment Throw-out Arm
160768	25592	Welting Attachment Throw-out Arm Bracket
946D	25592	Welting Attachment Throw-out Arm Hinge Screw
36006	25592	Welting Attachment Throw-out Arm Hinge Screw Friction Washer
51322C	25592	Welting Attachment Throw-out Arm Position Screw
51407AL	25592	Welting Attachment Screw
20437	25592	Welting Attachment Screw Washer

No.	Plate	Name
160769	.....	Welting Attachment Throw-out Arm and Bracket complete, Nos. 946D, 36006, 51322C, 160767 and 160768
160770	25592	Welting Attachment on Throw-out Arm and Bracket complete, for 5/8 in. Welting, Nos. 20437, 51407AL, 160766 and 160769
160772	25593	Welting Attachment on Throw-out Arm and Bracket complete, for 7/8 in. Welting, Nos. 20437, 51407AL, 160769 and 160771

NOTE: When ordering Nos. 160770 or 160772, sample of cord must be submitted.

**CORD HOLDER**

**FOR 160770 AND 160772**

160596	25594	Cord Holder Base with 200383C
160782	25594	Cord Holder Rod
200383C	25594	Cord Holder Rod Set Screw
41833	25594	Cord Holder Spindle
41834	25594	Cord Holder Spindle Bracket with 446AL and 448AL
446AL	25594	Cord Holder Spindle Bracket Set Screw
41875	25594	Cord Holder Spindle Cone (inside) with 249J
249J	25594	Cord Holder Spindle Cone (inside) Set Screw
13211	25594	Cord Holder Spindle Cone (inside) Spring
41876	25594	Cord Holder Spindle Cone (outside) with 793J
793J	25594	Cord Holder Spindle Cone (outside) Thumb Screw
448AL	25594	Cord Holder Spindle Set Screw
160783	25594	Cord Holder complete, Nos. 13211, 41833, 41834, 41875, 41876, 160596, 160782 and three wood screws 3/4 in. No. 12 F.H.

**TAPE HOLDER**

**FOR 160770 AND 160772**

120675	25595	Tape Disc
120677	25595	Tape Disc Screw Stud
160784	25595	Tape Disc Screw Stud Holder
259658	25595	Tape Disc Screw Stud Holder Base with 200383C
200383C	25595	Tape Disc Screw Stud Holder Set Screw
160785	25595	Tape Holder complete, Nos. 120675, 120677, 160784, 259658 and three wood screws 3/4 in. No. 12 F.H.

**WELTING ATTACHMENT WITH WELT GUIDE**

160774	25596	Welting Attachment
160775	25596	Welting Attachment Throw-out Arm
160776	25596	Welting Attachment Throw-out Arm Bracket
946D	25596	Welting Attachment Throw-out Arm Hinge Screw
36006	25596	Welting Attachment Throw-out Arm Hinge Screw Friction Washer
51322C	25596	Welting Attachment Throw-out Arm Position Screw
50388J	25596	Welting Attachment Screw
160777	25596	Welt Guide

No.	Plate	Name
54242	25596	Welt Guide Clamp.....
203J	25596	Welt Guide Screw.....
160778		Welting Attachment Throw-out Arm and Bracket with Welt Guide complete, Nos. 203J, 946D, 36006, 51322C, 54242, 160775, 160776 and 160777.....
160779	25596	Welting Attachment on Throw-out Arm and Bracket complete with Welt Guide, Nos. 50388J, 160774 and 160778.....

**WELT HOLDER**

160596	25594	Welt Holder Base with 200383C.....
160782	25594	Welt Holder Rod.....
200383C	25594	Welt Holder Rod Set Screw.....
41833	25594	Welt Holder Spindle.....
41834	25594	Welt Holder Spindle Bracket with 446AL and 448AL.....
446AL	25594	Welt Holder Spindle Bracket Set Screw.....
41875	25594	Welt Holder Spindle Cone (inside) with 249J.....
249J	25594	Welt Holder Spindle Cone (inside) Set Screw.....
13211	25594	Welt Holder Spindle Cone (inside) Spring.....
41876	25594	Welt Holder Spindle Cone (outside) with 793J.....
793J	25594	Welt Holder Spindle Cone (outside) Thumb Screw.....
448AL	25594	Welt Holder Spindle Set Screw.....
160783	25594	Welt Holder complete, Nos. 13211, 41833, 41834, 41875, 41876, 160596, 160782 and three wood screws 3/4 in. No. 12 F.H.....

**ACCESSORIES**

120344	25571	Oiler (copper plated) with 120345.....
120345	25571	Oiler Spout, 4 1/2 in. long.....
120440	25571	Screw Driver (large).....
121108	25571	Screw Driver (small).....
120341	25571	Tweezers (curved).....
17905	25571	Wrench.....
8908	25571	Wrench.....
42089	25571	Wrench.....
23535	25571	Wrench.....

**CHIP CHUTE**

168198	25572	Chip Chute (under table) with four wood screws 3/8 in. No. 6 R.H.B., for semi-submerged mounting.....
168211	25572	Chip Chute with two 330R, for fully-submerged mounting.....
330R	25572	Chip Chute Screw (2).....

**BELT GUARD**

168063	25573	Belt Guard with two wood screws 3/4 in. No. 12 R.H.....
--------	-------	---

**BENCH STAND**

135320		Bench Stand with 27998, two 126849 and ten wood screws 2 in. No. 10.....
126849	25571	Flap Hinge with four wood screws 3/4 in. No. 7 (2).....
27998	25571	Flap Hook and Eye (brass) with wood screw 1/2 in. No. 5.....

**FOOT LIFTER PARTS**

FOR GATHERING FEED MACHINES (247-6) TWO EACH  
OF THE FOLLOWING PARTS ARE REQUIRED

No.	Plate	Name
6439		Chain, 36 in. to 45 in., with 56864 and 56865.....
		NOTE: When ordering No. 6439, state length required.
4879	25573	Chain Connecting Link.....
56864	25571	Chain Hook (large).....
56865	25571	Chain Hook (small).....
126249	25573	Treadle.....
4882	25573	Treadle Shaft.....
126250	25573	Treadle Spring.....
150451	25573	Treadle Stand.....
150452	25573	Treadle complete, Nos. 4879, 4882, 126249, 126250, 150451 and two wood screws 1 in. No. 16 F.H.....

**KNEE LIFTER PARTS**

		Chain, length 15 in., with 56864 and 56865.....
56864	25571	Chain Hook (large).....
56865	25571	Chain Hook (small).....
2763	25573	Rock Shaft.....
12242	25573	Rock Shaft Hanger with two wood screws 1 in. No. 10 (2).....
6335	25573	Rock Shaft Knee Arm.....
6336		Rock Shaft Knee Arm complete, Nos. 2766, 2767 and 6335.....
2766	25573	Rock Shaft Knee Arm Hub with 356C.....
356C	25573	Rock Shaft Knee Arm Hub Set Screw.....
2767	25573	Rock Shaft Knee Plate with 356C.....
356C	25573	Rock Shaft Knee Plate Set Screw.....
6337	25573	Rock Shaft Lifting Bracket with two 356C.....
7125	25573	Rock Shaft Lifting Bracket Hook.....
356C	25573	Rock Shaft Lifting Bracket Hook Set Screw.....
356C	25573	Rock Shaft Lifting Bracket Set Screw.....
2770	25573	Rock Shaft Stop Dog with 140219C.....
140219C	25573	Rock Shaft Stop Dog Set Screw.....
23767	25573	Rock Shaft complete, Nos. 2763, 2770, 6336, 6337, 7125 and two 12242.....

**MACHINE BASE**

131263	24409	Machine Base.....
54477	24409	Machine Base Screw Stud, to fasten base to table (3).....
131205	24409	Machine Base Screw Stud, to position machine on base (4).....
51576E	24409	Machine Base Screw Stud Nut (3).....
9842	24409	Machine Base Screw Stud Nut Washer (3).....
131022	24409	Machine Base Screw Stud Bushing (rubber) (4).....
131279	24409	Machine Cushion (felt) (4).....
131264	24409	Machine Base complete, Nos. 131263, three each 9842, 51576E, 54477 and four each 131205 and 131279.....
131328	24409	Machine Base and Oil Drain Jar (swinging type) complete, Nos. 131264 and 131268.....



## MACHINE BASE OIL DRAIN JAR (SWINGING TYPE)

No.	Plate	Name
131961	24409	Jar (glass) 2 1/8 in. diam. at mouth
131962	24409	Jar Cap (diam. of recess for jar 2 7/16 in.)
131188	24409	Jar Clamp
131217		Jar Clamp 131188 with 131189
131189	24409	Jar Clamp Lever
1247C	24409	Jar Clamp Lever Hinge Screw (2)
131265	24409	Nipple (long) (2)
131266	24409	Nipple (short)
131267	24409	Nipple Elbow (2)
131268	24409	Machine Base Oil Drain Jar (swinging type) complete, Nos. 131217, 131266, 131961, 131962 and two each 1247C, 131265 and 131267

## THREAD UNWINDER

## FOR SIX SPOOLS

151032	25574	Base with 138R and three wood screws 1 in. No. 12 F.H.
225257	25574	Spool Rest with 201018C and two each 201528X, 228692 and 228693 (3)
228692	25574	Spool Pin (6)
201528X		Spool Pin Nut (6)
228693		Spool Pin Washer (6)
151039	25574	Spool Rest Bracket
151034	25574	Spool Rest Bracket Rod
138R	25574	Spool Rest Bracket Rod Set Screw
150203	25574	Spool Rest Cushion (felt) (6)
1395R	25574	Spool Rest Screw (for center spool rest)
201018C		Spool Rest Set Screw (3)
151035	25574	Thread Guide (6)
1521R		Thread Guide Nut (12)
9525		Thread Guide Nut Washer (12)
151038	25574	Thread Unwinder complete, Nos. 1395R, 151032, 151034, 151039, three 225257, six each 150203, 151035 and twelve each 1521R and 9525

## NUMERICAL LIST OF PARTS

No.	Plate	Name
41C	25583	Feed (upper) Regulator Connection Hinge Screw
61C	25581	Gathering Feed Regulator Connection Hinge Screw (front) for 168305
74C	25555	Chip Chute Arm Hinge Screw
138R	25574	Thread Unwinder Spool Rest Bracket Rod Set Screw for 151032
142J	25579	Face Plate Screw (3)
144D	25577	Arm Rotary Shaft Screw
157J	25586	Feed (back) Dog Screw for 247-6 Machine
161J	25585	Presser Bar Lifting Lever Extension (back) Screw (2)
164E	25555	Chip Chute Screw (2)
170C	25581	Gathering Feed Actuating Lever Spring Screw Stud (lower) for 247-6 Machine
171AL	25579	Thread Carrying Finger Holder Slide Block Crank Clamping Screw for 131814
172J	25581	Gathering Feed Actuating Lever Bracket Screw for 247-6 Machine (2)
172E	25560	Knife (movable) Lever Bearing Arm Bracket Screw (2)
172J	25585	Presser Bar Lifting Lever Extension (front) Screw (2)
175C	25581	Gathering Feed Actuating Lever Stop Screw (upper) for 131777
175C	25561	Looper (driving) Eccentric Connection Cap (lower) Screw for 168025 (2)
176E	25562	Oil Pipe (back of arm) Clamp Screw
176J	25586	Presser Foot Screw
176J	25564	Thread (under) Take-up Stripper Bracket Screw for 168104 (2)
176J	25564	Thread (under) Take-up Stripper Plate Screw for 168104
190J	25586	Feed (front) Dog Screw for 247-6 Machine
190J	25582	Feed (lower) Bar Feed Dog Seat Screw for 168149
190J	25555	Oil Splash Guard (side of arm) Holder Screw
190J	25585	Thread (under) Eyelet (back) Screw
190J	25585	Thread (upper) Eyelet Screw
198E	25562	Oil Pipe (back of arm) Connection Cap Screw for 68494 (2)
198E	25562	Oil Pipe (front of arm, long) Oil Lead Connection Cap Screw for 131003 (4)
199J	25583	Feed (upper) Bar Connecting Link (upper) Cap Screw (large) for 168115 and 168308
203J	25586	Feeding Foot Screw
203J	25596	Welt Attachment Welt Guide Screw for 160778
205C	25577	Arm Rotary Shaft Ball Bearing (back) Case Cap Screw for 131479 (3)
208AL	25561	Looper (front) Screw for 168197 (2)
208AL	25579	Tension (thread covering) Controller Eyelet Screw
212J	25579	Thread Carrying Finger Holder Cap Screw for 131868
217J	25577	Feed (lower) Eccentric Clamping Washer Screw for 168011 (2)
217J	25555	Oil Splash Guard (side of arm) Screw
223C	25561	Looper (avoiding motion) Eccentric Connection Hinge Pin Set Screw for 168019
223J	25579	Thread (upper) Take-up Clamping Screw for 168130
226C	25579	Thread Carrying Finger Holder Slide Block Cap Screw for 131868
228J	25586	Presser Foot Guard Screw for 168281 and 168292
249J	25594	Cord Holder Spindle Cone (inside) Set Screw for 41875
249J	25594	Welt Holder Spindle Cone (inside) Set Screw for 41875
269W	25551	Pressure Regulating Thumb Screw for 168044
316C	25585	Tension (upper thread) Releasing Shaft Stop Screw
330R	25572	Chip Chute Screw for 168211 (2)
330J	25555	Oil Splash Guard Screw (2)
335J	25579	Tension (thread covering) Thread Guide Screw

No.	Plate	Name
336F	25560	Knife (movable) Holder Guide Screw for 42038.....
356C	25573	Knee Lifter Rock Shaft Knee Arm Hub Set Screw for 2766.....
356C	25573	Knee Lifter Rock Shaft Knee Plate Set Screw for 2767.....
356C	25573	Knee Lifter Rock Shaft Lifting Bracket Hook Set Screw for 6337.....
356C	25573	Knee Lifter Rock Shaft Lifting Bracket Set Screw for 6337.....
359C	25581	Gathering Feed Actuating Lever Locking Screw for 131867.....
376J	25585	Tension (upper thread) Bracket Screw.....
423AL	25575	Arm Rock Shaft Bushing (intermediate) Set Screw.....
429C	25577	Arm Rotary Shaft Ball Bearing (back) Case Set Screw.....
446AL	25575	Arm Rock Shaft Bushing (back) Set Screw.....
446AL	25594	Cord Holder Spindle Bracket Set Screw for 41834.....
446AL	25594	Welt Holder Spindle Bracket Set Screw for 41834.....
448AL	25594	Cord Holder Spindle Set Screw for 41834.....
448AL	25560	Knife (stationary) Holder Set Screw.....
448AL	25561	Looper (avoiding motion) Eccentric Connection Holder Screw Bushing Set Screw (2).....
448AL	25594	Welt Holder Spindle Set Screw for 41834.....
453AL	25575	Arm Rock Shaft Flanged Bushing (front) Set Screw.....
453AL	25581	Feed (lower) Rocking Frame Hinge Pin Bushing Set Screw (2).....
453AL	25582	Feed (lower) Rocking Frame Hinge Pin Set Screw for 168244 (2).....
453AL	25579	Presser Bar Lifting Bracket Guide Set Screw.....
457AL	25577	Arm Rotary Shaft Ball Bearing (intermediate) Collar Set Screw for 131482 (2).....
460AL	25582	Feed Dog Stop Screw for 131730.....
462AL	25579	Thread Carrying Finger Oscillating Arm Slide Block Holder Set Screw for 131817.....
465AL	25560	Knife (movable) Lever Bearing Arm Collar Set Screw for 54369 (2).....
620AL	25560	Knife (movable) Lever Connecting Link Hinge Pin Set Screw for 168074, 168086 and 168148 (2).....
621E	25560	Knife (movable) Holder Guide Plate Screw (2).....
624AL	25577	Feed (lower) Lifting Eccentric Set Screw for 168012 and 168151 (3).....
624AL	25577	Looper (avoiding motion) Eccentric Set Screw for 168012 and 168151 (3).....
624AL	25585	Tension (upper thread) Releasing Shaft Crank Set Screw for 54047.....
665J	25555	Cloth Plate Slide Spring Screw for 168072 (2).....
671W	25555	Chip Chute Arm Lock Thumb Screw.....
704E	25581	Feed (front) Bar Guide Screw for 168305.....
706W	25586	Throat Plate Thread Retainer Screw for 168108, 168135 and 168234 (2).....
735AL	25582	Feed (lower) Bar Hinge Pin Collar Set Screw for 59343.....
735AL	25581	Feed (lower) Connecting Rod Hinge Pin Collar Set Screw for 59343.....
742F	25555	Cloth Plate Screw (right).....
742F	25586	Throat Plate Screw (2).....
761E	25577	Arm Rotary Shaft Bushing (front) Position Screw for 68483.....
761E	25577	Arm Rotary Shaft Bushing (intermediate) Position Screw.....
793J	25594	Cord Holder Spindle Cone (outside) Thumb Screw for 41876.....
793J	25594	Welt Holder Spindle Cone (outside) Thumb Screw for 41876.....
802X	25585	Presser Bar Lifting Lever Hinge Screw.....
853AL	25575	Needle Bar Connecting Link Hinge Stud Set Screw for 168111.....
861C	25579	Needle Bar Connecting Link Hinge Stud Oil Plug Screw.....
896AL	25577	Feed (lower) Connecting Rod Cap Screw for 131500 (2).....

No.	Plate	Name
904AL	25579	Needle Set Screw (back) for 168095 (2).....
906AL	25579	Needle Set Screw (front) for 168095.....
910AL	25581	Gathering Feed Actuating Lever Stop Screw (lower) for 131777.....
946D	25592	Welting Attachment Throw-out Arm Hinge Screw for 160769 and 160778.....
948J	25577	Arm Rotary Shaft Bushing (front) Bracket Screw for 168066.....
997J	25585	Thread (upper) Take-up (auxiliary) Clamp Screw.....
1000C	25560	Knife (movable) Clamping Screw for 168081.....
1011F	25555	Cloth Plate Connecting Block Screw for 168300 (2).....
1011F	25555	Cloth Plate Screw (left) (2).....
1036AL	25561	Looper (driving) Eccentric Set Screw for 168024 (3).....
1057AL	25551	Arm Bottom Cover Screw (4).....
1057AL	25551	Arm Side Cover Screw (4).....
1057AL	25577	Crank Connecting Rod Cap (upper) Screw for 131926 (2).....
1057AL	25577	Feed (lower) Connecting Rod Clamping Screw for 131500.....
1057AL	25583	Feed (upper) Regulator Shaft Crank Clamping Screw for 52595 and 168306.....
1057AL	25581	Gathering Feed Regulator Clamping Screw for 131779 (2).....
1057AL	25561	Looper Carrier Shaft Crank Clamping Screw for 168018 (2).....
1057AL	25579	Thread Carrying Finger Holder Bracket Screw (2).....
1057AL	25579	Thread Laying Finger Holder Clamping Screw for 168048.....
1103C	25577	Feed (lower) Regulating Screw for 168011.....
1120AL	25561	Looper Set Screw for 131504.....
1133E	25579	Needle Bar Bushing (lower) Set Screw.....
1133E	25579	Needle Bar Bushing (upper) Set Screw.....
1133E	25579	Presser Bar Bushing (upper) Set Screw.....
1147AL	25581	Feed (front) Bar Slide Bar Set Screw for 168074.....
1178C	25560	Knife (movable) Lever Clamping Screw for 168082.....
1226C	25581	Gathering Feed Actuating Lever Spring Screw Stud (upper) for 131867.....
1231E	25561	Looper Carrier Shaft Plug Screw for 168017.....
1235F	25575	Arm Rock Shaft Oil Plug Screw for 168111.....
1247C	24409	Machine Base Oil Drain Jar Clamp Lever Hinge Screw for 131268 (2).....
1250AL	25579	Feed (upper) Bar Lifting Bracket Position Screw for 131649.....
1253AL	25560	Knife (stationary) Set Screw.....
1289X	25551	Arm Side Cover Cap Screw for 131911.....
1304C	25577	Arm Rotary Shaft Ball Bearing (intermediate) Case Set Screw.....
1309C	25575	Arm Rock Shaft Adjusting Screw.....
1395R	25574	Thread Unwinder Spool Rest Screw (for center spool rest) for 151038.....
1423W	25584	Feed (upper) Bar Connecting Link (lower) Cap Screw for 168115 (2).....
1423W	25583	Feed (upper) Bar Connecting Link (lower) Cap Screw (right) for 168308.....
1423W	25583	Feed (upper) Bar Connecting Link (upper) Cap Screw (small) for 168115 and 168308.....
1441AL	25579	Presser Bar Lifting Bracket Set Screw for 168126.....
1492E	25579	Needle Bar Connecting Stud Clamping Screw for 131492.....
1497C	25561	Looper Carrier Shaft Set Screw.....
1520J	25581	Gathering Feed Actuating Lever Hinge Screw Nut for 131867.....
1520J	22579	Needle Bar Connecting Link Hinge Stud Nut.....
1521R		Thread Unwinder Thread Guide Nut for 151038 (12).....
1547J	25585	Tension (upper thread) Releasing Shaft Stop Screw Nut.....
1597J	25581	Feed (upper) Regulator Connection Hinge Bracket Plate Screw (lower) Nut for 168188 (2).....
1637J	25551	Pressure Regulating Thumb Screw Lock Nut for 168044.....
1650C	25583	Feed (upper) Regulator Connection Hinge Screw Nut.....

No.	Plate	Name
1654C	25581	Gathering Feed Actuating Lever Locking Screw Lock Nut for 131867
1654C	25581	Gathering Feed Actuating Lever Locking Screw Nut for 131867
1655E	25581	Gathering Feed Regulator Connection Hinge Screw (front) Nut for 168305
1662C	25583	Feed (upper) Bell Crank Hinge Bracket Screw Stud Nut (2)
1700C	25583	Feed (upper) Bar Connecting Link (lower) Hinge Screw (left) Nut for 168307
1722J	25560	Knife (movable) Lever Connection Nut for 168187
1733	25562	Oil Pipe (back of arm) Coupling Nut (brass)
1733	25562	Oil Pipe (front of arm, long) Coupling Nut (brass) for 168036 (2)
1733	25562	Oil Pipe (front of arm, long) Oil Lead Coupling Nut (brass) for 168038
1733	25562	Oil Pipe (front of arm, short) Coupling Nut (brass) for 168040 (2)
1735C	25581	Gathering Feed Actuating Lever Stop Screw (lower) Nut for 131777
1735C	25581	Gathering Feed Actuating Lever Stop Screw (upper) Nut for 131777
1756J	25560	Knife (movable) Lever Hinge Screw Stud Nut
2102	25585	Tension (thread covering) Disc (2)
2102	25585	Tension (under thread) Disc (4)
2102	25585	Tension (upper thread) Disc (6)
2763	25573	Knee Lifter Rock Shaft for 23767
2766	25573	Knee Lifter Rock Shaft Knee Arm Hub with 356C, for 6336
2767	25573	Knee Lifter Rock Shaft Knee Plate with 356C, for 6336
2770	25573	Knee Lifter Rock Shaft Stop Dog with 140219C, for 23767
4879	25573	Foot Lifter Chain Connecting Link for 150452
4882	25573	Foot Lifter Treadle Shaft for 150452
6335	25573	Knee Lifter Rock Shaft Knee Arm for 6336
6336		Knee Lifter Rock Shaft Knee Arm complete, for 23767, Nos. 2766, 2767 and 6335
6337	25573	Knee Lifter Rock Shaft Lifting Bracket with two 356C, for 23767
6439		Foot Lifter Chain, 36 in. to 45 in. with 56864 and 56865
		NOTE: When ordering No. 6439, state length required.
6465	25555	Chip Chute Arm Hinge Screw Friction Washer
7071	25577	Feed (lower) Eccentric Clamping Washer for 168011 (2)
7071	25586	Needle Guard (movable) Screw Washer for 247-6 Machine
7071	25564	Thread (under) Eyelet (front) Screw Washer for 168104
7071	25564	Thread (under) Take-up Stripper Thread Guide Screw Washer for 168104
7071	25564	Thread (under) Take-up Stripper Thread Separator Screw Washer for 168104
7071	25585	Thread (upper) Eyelet Screw Washer
7125	25573	Knee Lifter Rock Shaft Lifting Bracket Hook for 23767
7298	25586	Presser Foot Hinge Pin for 168281 and 168292
8908	25571	Wrench (Accessories)
9525	25581	Gathering Feed Actuating Lever Locking Screw Washer for 131867
9525		Thread Unwinder Thread Guide Nut Washer for 151038 (12)
9842	24409	Machine Base Screw Stud Nut Washer for 131264 (3)
12242	25573	Knee Lifter Rock Shaft Hanger with two wood screws 1 in. No. 10 for 23767 (2)
13211	25594	Cord Holder Spindle Cone (inside) Spring for 160783
13211	25594	Welt Holder Spindle Cone (inside) Spring for 160783
14017	25583	Feed (upper) Regulator Connection Hinge Bracket Screw Washer for 247-6 Machine (2)
14017	25560	Knife (movable) Lever Connection Nut Washer for 168187

No.	Plate	Name
17022	25564	Thread (under) Take-up Stripper Screw Washer for 168104
17905	25571	Wrench (Accessories)
20437	25583	Feed (upper) Bell Crank Hinge Bracket Screw Stud Nut Washer (2)
20437	25584	Feed (upper) Regulator Connection Hinge Bracket Screw Washer for 168245
20437	25560	Knife (movable) Lever Clamping Screw Washer for 168082
20437	25592	Welting Attachment Screw Washer for 160770 and 160772
22436	25582	Feed (lower) Bar Feed Dog Seat Screw Washer for 168149
23535	25571	Wrench (Accessories)
23767	25573	Knee Lifter Rock Shaft complete, Nos. 2763, 2770, 6336, 6337, 7125 and two 12242
27998	25571	Bench Stand Flap Hook and Eye (brass) with wood screw 1/2 in. No. 5, for 135320
32572	25585	Tension (thread covering) Releasing Disc
32572	25585	Tension (upper thread) Releasing Disc (3)
36006	25592	Welting Attachment Throw-out Arm Hinge Screw Friction Washer for 160769 and 160778
37563		Knee Lifter Chain, length 15 in., with 56864 and 56865
38419	25555	Cloth Plate Slide Spring for 168072
38456	25579	Presser Bar Bushing (upper)
38468	25551	Presser Bar Spring Stud
41833	25594	Cord Holder Spindle for 160783
41833	25594	Welt Holder Spindle for 160783
41834	25594	Cord Holder Spindle Bracket with 446AL and 448AL, for 160783
41834	25594	Welt Holder Spindle Bracket with 446AL and 448AL, for 160783
41875	25594	Cord Holder Spindle Cone (inside) with 249J, for 160783
41875	25594	Welt Holder Spindle Cone (inside) with 249J, for 160783
41876	25594	Cord Holder Spindle Cone (outside) with 793J, for 160783
41876	25594	Welt Holder Spindle Cone (outside) with 793J, for 160783
42038	25560	Knife (movable) Holder Guide with 336F
42039	25560	Knife (movable) Holder Guide Plate
42041	25560	Knife (movable) Holder Spring
42089	25571	Wrench (Accessories)
42365	25575	Arm Rock Shaft Oil Pad (braided cotton) for oiling Back Bearing
42367	25577	Arm Rotary Shaft Bushing (intermediate) Oil Pad, lower (braided cotton)
42523	25583	Feed (upper) Regulator Connection Hinge Screw Stud Nut Washer
50083AL	25577	Arm Rock Shaft Crank (back) Set Screw for 131072 (2)
50138E	25561	Looper (driving) Eccentric Connection Position Plate Screw for 168205
50150AL	25577	Thread (under) Take-up Set Screw for 168051 (3)
50183F	25581	Gathering Feed Actuating Lever Hinge Screw for 131867
50326C	25585	Tension (thread covering) Screw Stud for 59539
50326C	25585	Tension (upper thread) Screw Stud for 59539 (3)
50370AL	25579	Thread Laying Finger Set Screw for 168048 (2)
50388J	25596	Welting Attachment Screw for 160779
50416C	25583	Feed (upper) Bar Connecting Link (lower) Hinge Screw (left) for 168307
50429AL	25581	Feed (back) Dog Stop Screw for 168074
50505C	25575	Thread Carrying Finger Oscillating Arm Slide Block Holder Driving Stud Bushing Set Screw for 168111
50581R	25584	Feed (upper) Regulator Connection Hinge Bracket Screw for 168245

No.	Plate	Name
50608R	25551	Arm Hole Plug Screw, for access to Crank Connecting Rod (upper bearing)
50624E	25579	Thread Carrying Finger Clamping Screw for 131811
50950C	25583	Feed (upper) Regulator Connection Hinge Screw Stud
51047C	25586	Needle Guard (movable) Screw for 247-6 Machine
51061AL	25577	Feed (lower) Eccentric Body Set Screw for 168011 (3)
51119J	25561	Looper Holder Screw
51191E	25575	Feed (upper) Driving Crank Screw
51283AL	25577	Machine Driving Pulley Set Screw for 131914 (2)
51322C	25592	Welding Attachment Throw-out Arm Position Screw for 160769 and 160778
51323J	25564	Thread (under) Take-up Stripper Screw for 168104
51369E	25586	Needle Guard (movable) Holder Screw for 247-6 Machine
51407AL	25583	Feed (upper) Regulator Connection Hinge Bracket Screw for 247-6 Machine (2)
51407AL	25592	Welding Attachment Screw for 160770 and 160772
51408AL	25581	Feed (front) Bar Feed Dog Seat Screw for 147570
51552C	25583	Feed (upper) Regulator Connection Hinge Screw Stud Nut
51570C	25585	Tension (thread covering) Regulating Thumb Nut for 59539
51570C	25585	Tension (under thread) Regulating Thumb Nut for 131809 (2)
51570C	25585	Tension (upper thread) Regulating Thumb Nut for 59539 (3)
51576E	24409	Machine Base Screw Stud Nut for 131264 (3)
51657J	25581	Feed (upper) Regulator Connection Hinge Bracket Plate Screw (upper) Nut for 168188
51700C	25581	Gathering Feed Regulator Connection Hinge Screw (back) Nut for 168305
51715AL	25577	Crank Connecting Rod Cap (lower) Screw Stud Nut for 131926 (2)
52595	25584	Feed (upper) Regulator Shaft Crank with 1057AL, for 168115
53225	25585	Thread (under) Eyelet (back)
54038	25555	Oil Splash Guard (side of arm) Holder
54047	25585	Tension (upper thread) Releasing Shaft Crank with 624AL
54048	25585	Tension (upper thread) Releasing Shaft Crank Link
54143	25583	Feed (upper) Bar Connecting Link (lower) for 168115 and 168308
54147	25584	Feed (upper) Bell Crank Connection Sleeve for 247-7 Machine
54218	25577	Arm Rotary Shaft Bushing (intermediate) Oil Pad upper (braided cotton)
54242	25596	Welding Attachment Welt Guide Clamp for 160778
54245	25585	Tension (upper thread) Bracket
54246	25585	Tension (upper thread) Releasing Shaft
54279	25585	Tension (thread covering) Thread Guide (double)
54279	25585	Tension (upper thread) Thread Guide (double) (3)
54369	25560	Knife (movable) Lever Bearing Arm Collar with two 465AL
54477	24409	Machine Base Screw Stud, to fasten base to table for 131264 (3)
54969	25575	Arm Rock Shaft Oil Pad (braided cotton) for oiling Intermediate Bearing
54988	25585	Tension (thread covering) Releasing Pin
54988	25585	Tension (upper) Releasing Pin (3)
56864	25571	Foot Lifter Chain Hook (large) for 6439
56864	25571	Knee Lifter Chain Hook (large) for 37563
56865	25571	Foot Lifter Chain Hook (small) for 6439
56865	25571	Knee Lifter Chain Hook (small) for 37563
57234	25582	Feed (lower) Rocking Frame Hinge Pin for 247-7 Machine
57235	25581	Feed (lower) Rocking Frame Hinge Pin Bushing (2)
59343	25582	Feed (lower) Bar Hinge Pin Collar with 735AL, for 168246
59343	25581	Feed (lower) Connecting Rod Hinge Pin Collar with 735AL, for 168305

No.	Plate	Name
59455	25583	Feed (upper) Bar Connecting Link (lower) Hinge Screw (left) Washer for 168307
59537	25585	Tension (thread covering) Spring Bushing (large)
59537	25585	Tension (under thread) Spring Bushing (large) (2)
59537	25585	Tension (upper thread) Spring Bushing (large) (3)
59538	25585	Tension (thread covering) Spring Bushing (small)
59538	25585	Tension (under thread) Spring Bushing (small) (2)
59538	25585	Tension (upper thread) Spring Bushing (small) (3)
59539		Tension (thread covering) Screw Stud 50326C with 51570C
59539		Tension (upper thread) Screw Stud 50326C with 51570C (3)
64320	25579	Needle Bar Bushing (upper)
68123	25589	Needle Guard (movable) Clamp for 247-7 Machine
68261	25585	Tension (upper thread) Releasing Shaft Spring
68350	25575	Arm Oil Cup, for oiling Arm Rock Shaft Front Bearing
68428	25551	Arm Bottom Cover
68429	25551	Arm Bottom Cover Gasket (cork)
68433	25575	Arm Rock Shaft Bushing (back)
68435	25575	Arm Rock Shaft Bushing (back) Cap
68436	25575	Arm Rock Shaft Bushing (intermediate)
68448	25551	Arm Side Cover Gasket
*68483		Arm Rotary Shaft Bushing (front) Bracket with 761E, for 168066
68489	25579	Needle Bar Connecting Link Hinge Stud (hollow) for 168031
68492	25562	Oil Pipe (back of arm) with 68497, for oiling Feed Rocking Frame Hinge Pin Bearing
68493	25562	Oil Pipe (back of arm) Clamp
68494	25562	Oil Pipe (back of arm) Connection with 68495 and two 198E, for oiling Feed Rocking Frame Hinge Pin Back Bearing
68495	25562	Oil Pipe (back of arm) Connection Oil Pad (wick) for 68494
68496	25562	Oil Pipe (back of arm) Coupling
68497	25577	Arm Rotary Shaft Bushing (front) Bearing Oil Pad (wick)
68497	25577	Feed (lower) Connecting Rod Oil Pad (wick) for 131500
68497	25577	Looper Carrier Shaft Oil Pad (wick)
68497	25562	Oil Pipe (back of arm) Oil Pad (wick) for 68492
68497	25562	Oil Pipe (front of arm, long) Oil Lead Oil Pad (wick) for 168039
120341	25571	Tweezers (curved) Accessories
120344	25571	Oiler (copper plated) with 120345 (Accessories)
120345	25571	Oiler Spout, 4 1/2 in. long for 120344
120440	25571	Screw Driver (large) Accessories
120675	25595	Tape Holder Tape Disc for 160785
120677	25595	Tape Holder Tape Disc Screw Stud for 160785
121108	25571	Screw Driver (small) Accessories
126249	25573	Foot Lifter Treadle for 150452
126250	25573	Foot Lifter Treadle Spring for 150452
126849	25571	Bench Stand Flap Hinge with four wood screws 3/4 in. No. 7, for 135320 (2)
131003	25562	Oil Pipe (front of arm, long) Oil Lead Connection with two 198E, for 168038 and 168039 (2)
131004	25562	Oil Pipe (front of arm, long) Coupling (left)
131004	25562	Oil Pipe (front of arm, long) Oil Lead Coupling
131004	25562	Oil Pipe (front of arm, short) Coupling (2)
131022	24409	Machine Base Screw Stud Bushing (rubber) for 168066 (4)
131028	25577	Arm Rotary Shaft Bushing (front) Oil Plug
131056	25575	Arm Rock Shaft Adjusting Screw Washer
131072	25577	Arm Rock Shaft Crank, back (ball bearing, solid) with two 50083AL, for 131930
131089		Oil Pipe (front of arm, short) Oil Pad (wick) for 168040
131095	25575	Arm Rock Shaft Bushing (back) Cap Washer (fiber)

No.	Plate	Name
131188	24409	Machine Base Oil Drain Jar Clamp for 131217
131189	24409	Machine Base Oil Drain Jar Clamp Lever for 131217
131197	25582	Feed (lower) Bar Hinge Pin (eccentric) for 168246
131205	24409	Machine Base Screw Stud, to position machine on base for 131264 (4)
131217		Machine Base Oil Drain Jar Clamp 131188 with 131189, for 131268
131263	24409	Machine Base for 131264
131264	24409	Machine Base complete, for 131328, Nos. 131263, three each 9842, 51576E, 54477 and four each 131205 and 131279
131265	24409	Machine Base Oil Drain Jar Nipple (long) for 131268 (2)
131266	24409	Machine Base Oil Drain Jar Nipple (short) for 131268
131267	24409	Machine Base Oil Drain Jar Nipple Elbow for 131268 (2)
131268	24409	Machine Base Oil Drain Jar (swinging type) complete for for 131328, Nos. 131217, 131266, 131961, 131962 and two each 1247C, 131265 and 131267
131270	25579	Needle Bar Connecting Link Hinge Stud Oil Pad (wick)
131276	25551	Arm Side Cover (oil vent) for 131911
131279	24409	Machine Cushion (felt) for 131264 (4)
131280	25551	Arm Side Cover Cap Position Pin for 131911
131291	25579	Needle Bar Bushing (lower) for 247-6 Machine
131319	25575	Arm Oil Cup Oil Pad (braided cotton) for 68350
131328	24409	Machine Base and Oil Drain Jar (swinging type) complete, Nos. 131264 and 131268
131366	25577	Arm Rotary Shaft Ball Bearing (back) for 131526 (2)
131366	25577	Arm Rotary Shaft Ball Bearing (intermediate)
131369	25577	Arm Rotary Shaft Ball Bearing (back) Case Cap for 131479
131370	25577	Arm Rotary Shaft Ball Bearing (back) Case Position Stud (3)
131456	25575	Arm Rock Shaft Flanged Bushing (front)
131457	25577	Arm Rotary Shaft Bushing (intermediate)
131478	25577	Arm Rotary Shaft Ball Bearing (back) Case for 131479
131479		Arm Rotary Shaft Ball Bearing (back) Case 131478 with 131369 and three 205C, for 131526
131480	25577	Arm Rotary Shaft Ball Bearing (back) Spacing Collar for 131526
131481	25577	Arm Rotary Shaft Ball Bearing (intermediate) Case
131482	25577	Arm Rotary Shaft Ball Bearing (intermediate) Collar with two 457AL
131492	25579	Needle Bar Connecting Stud with 1492E, for 168031
131496	25585	Thread (upper) Take-up (auxiliary) Clamp
131497	25579	Needle Bar (hollow) for 168094
131500	25577	Feed (lower) Connecting Rod with 1057AL, 68497, 134260 and two 896AL, for 168010
131504	25561	Looper Holder with 1120AL
131526		Arm Rotary Shaft Ball Bearing (back) Case with Ball Bearings complete, Nos. 131479, 131480 and two 131366
131621	25583	Feed (upper) Bell Crank Connection with 140268AL
131647	25583	Feed (upper) Bar Connecting Link (upper) for 168115 and 168308
131648	25583	Feed (upper) Bar Connecting Link (upper) Cushion (Textolite) for 131690
131649	25579	Feed (upper) Bar Lifting Bracket with 1250AL
131650	25583	Feed (upper) Bar Spring Thimble for 131690
131651	25583	Feed (upper) Bell Crank for 131690
131690		Feed (upper) Bell Crank 131651 with 131648, 131650, 140173C and 192274, for 168115 and 168308
131696	25585	Tension (under thread) Thread Guide (2)
131730	25582	Feed (lower) Bar Feed Dog Seat (adjustable) with 460AL, for 168149
131740	25585	Tension (thread covering) Spring

No.	Plate	Name
131740	25585	Tension (under thread) Spring (2)
131741	25585	Tension (upper thread) Spring (3)
131749	25551	Presser Bar Spring for 168044
131750	25551	Presser Bar Spring (auxiliary) for 168044
131752	25551	Pressure Regulating Thumb Screw Washer for 168044
131766	25581	Feed (back) Bar Hinge Pin for 168305
131769	25581	Feed (front) Bar Guide for 147571
131770	25581	Feed (front) Bar Slide Bar for 147571
131772	25581	Feed (lower) Connecting Rod Hinge Pin (eccentric) for 168305
131775	25581	Feed (lower) Rocking Frame Hinge Pin for 168305
131776	25581	Gathering Feed Actuating Lever for 131867
131777	25581	Gathering Feed Actuating Lever Bracket with 175C, 910AL and two 1735C, for 131867
131778	25581	Gathering Feed Actuating Lever Spring for 247-6 Machine
131779	25581	Gathering Feed Regulator with two 1057AL, for 168305
131780	25581	Gathering Feed Regulator Connection for 168305
131781	25581	Gathering Feed Regulator Connection Hinge Screw (back) Nut Washer for 168305
131798	25562	Oil Pipe (front of arm; long) Coupling (right)
131809		Tension (under thread) Screw Stud 140113C with 51570C (2)
131811	25579	Thread Carrying Finger Holder (segment) with 50624E, for 131868
131812	25579	Thread Carrying Finger Holder Bracket for 131868
131813	25579	Thread Carrying Finger Holder Slide Block for 131868
131814	25579	Thread Carrying Finger Holder Slide Block Crank with 171AL, for 131868
131815	25579	Thread Carrying Finger Oscillating Arm (forked) and Presser Bar Bushing (lower)
131816	25579	Thread Carrying Finger Oscillating Arm Slide Block for 147518
131817	25579	Thread Carrying Finger Oscillating Arm Slide Block Holder with 462AL, for 147518
131818	25579	Thread Carrying Finger Oscillating Arm Slide Block Holder Driving Stud
131819	25575	Thread Carrying Finger Oscillating Arm Slide Block Holder Driving Stud Bushing for 168111
131820	25579	Thread Carrying Finger Oscillating Arm Slide Block Holder Shaft
131821	25579	Thread Laying Finger
131864	25577	Arm Oil Cup for 131866
131865	25577	Arm Oil Cup Oil Gauge for 131866
131866	25577	Arm Oil Cup with Oil Gauge complete, for filling oil reservoir, Nos. 131864 and 131865
131867	25581	Gathering Feed Actuating Lever Bracket 131777 with 359C, 1226C, 1520J, 9525, 50183F, 131776 and two 1654C, for 247-6 Machine
131868		Thread Carrying Finger Holder Bracket 131812 with 212J, 226C, 131811, 131813 and 131814
131909	25551	Arm Side Cover Cap for 131911
131910	25551	Arm Side Cover Cap Spring for 131911
131911	25551	Arm Side Cover (oil vent) complete, Nos. 1289X, 131276, 131280, 131909 and 131910
131914	25577	Machine Driving Pulley "V" Belt groove (outside diam. of belt groove 2.9 in.) with two 51283AL, for 3/8 in. "V" belt
*131926	25577	Crank Connecting Rod with two each 1057AL, 51715AL, 131927 and 131928, for 131930

NOTE: When No. 131926 is required for repairs, Connecting Rod and Arm Rock Shaft Crank (back) fitted together will be furnished. All Agency orders for the part must state the Machine No. for which it is required, in order to obtain correct Needle Bar Stroke.

No.	Plate	Name
131927	25577	Crank Connecting Rod Cap (lower) Screw Stud for 131926 (2)
131928	25577	Crank Connecting Rod Cap (lower) Screw Stud Nut Lock Washer for 131926 (2)
131930		Crank Connecting Rod 131926 with 131072, for 168003 and 168147
131959	25577	Arm Rotary Shaft Bushing (front)
131961	24409	Machine Base Oil Drain Jar (glass) 2 1/8 in. diam. at mouth, for 131268
131962	24409	Machine Base Oil Drain Jar Cap (diam. of recess for jar 2 7/16 in.) for 131268
132583	25560	Knife (movable) Lever Connecting Link Hinge Pin with 132584 for 168187, 168246 and 168305 (2)
132583	25561	Looper (avoiding motion) Eccentric Connection Hinge Pin with 132584, for 168208
132584	25560	Knife (movable) Lever Connecting Link Hinge Pin Oil Pad (wick) for 132583 (2)
132584	25561	Looper (avoiding motion) Eccentric Connection Hinge Pin Oil Wick for 132583
134260	25577	Feed (lower) Connecting Rod Oil Pad Retainer for 131500
135320		Bench Stand with 27998, two 126849 and ten wood screws 2 in. No. 10
138306		Feed (lower) Eccentric Lubricating Pad (wood) for 168011
139017	25551	Arm Hole Plug Screw Washer
140113C	25585	Tension (under thread) Screw Stud for 131809 (2)
140123C	25583	Feed (upper) Regulator Set Screw for 168119
140159AL	25561	Looper (driving) Eccentric Connection Cap (upper) Screw for 168025 (2)
140173C	25583	Feed (upper) Bar Spring Cap Screw for 131690
140180J	25564	Thread (under) Eyelet (front) Screw for 168104
140180J	25564	Thread (under) Take-up Stripper Thread Guide Screw for 168104
140180J	25564	Thread (under) Take-up Stripper Thread Separator Screw for 168104
140219C	25573	Knee Lifter Rock Shaft Stop Dog Set Screw for 2770
140268AL	25583	Feed (upper) Bell Crank Connection Clamping Screw for 131621
140275J	25589	Feed Dog Screw, for use with Movable Needle Guard for 247-7 Machine
140311C	25581	Gathering Feed Regulator Connection Hinge Screw (back) for 168305
140407C	25564	Thread (under) Take-up Stripper Plate Bracket Screw
140415C	25583	Feed (upper) Bell Crank Hinge Bracket Screw
140427AL	25581	Feed (upper) Regulator Connection Hinge Bracket Plate Screw (lower) for 168188 (2)
140428AL	25581	Feed (upper) Regulator Connection Hinge Bracket Plate Screw (upper) for 168188
140645F	25579	Thread Carrying Finger Oscillating Arm Slide Block Cap Screw for 147518
147518		Thread Carrying Finger Oscillating Arm Slide Block 131816 with 131817 and 140645F
147568	25581	Feed (front) Bar for 147570
147569	25581	Feed (front) Bar Feed Dog (adjustable) Seat for 147570
147570		Feed (front) Bar complete, for 147571, Nos. 51408AL, 147568 and 147569
147571		Feed (front) Bar 147570 with 131769 and 131770, for 168305
150203	25574	Thread Unwinder Spool Rest Cushion (felt) for 151038 (6)
150451	25573	Foot Lifter Treadle Stand for 150452
150452	25573	Foot Lifter Treadle complete, Nos. 4879, 4882, 126249, 126250, 150451 and two wood screws 1 in. No. 16 F.H.
151032	25574	Thread Unwinder Base with 138R and three wood screws 1 in. No. 12 F.H., for 151038
151034	25574	Thread Unwinder Spool Rest Bracket Rod for 151038
151035	25574	Thread Unwinder Thread Guide for 151038 (6)

No.	Plate	Name
151038	25574	Thread Unwinder complete, for six spools, Nos. 1395R, 151032, 151034, 151039, three 225257, six each 150203, 151035 and twelve each 1521R and 9525
151039	25574	Thread Unwinder Spool Rest Bracket for 151038
160596	25594	Cord Holder Base with 200383C, for 160783
160596	25594	Welt Holder Base with 200383C, for 160783
160766	25592	Welting Attachment for 5/8 in. Welting, for 160770
		NOTE: When ordering No. 160766, sample of cord must be submitted.
160767	25592	Welting Attachment Throw-out Arm for 160769
160768	25592	Welting Attachment Throw-out Arm Bracket for 160769
160769		Welting Attachment Throw-out Arm and Bracket complete, for 160770 and 160772, Nos. 946D, 36006, 51322C, 160767 and 160768
160770	25592	Welting Attachment on Throw-out Arm and Bracket complete, for 5/8 in. Welting, for 247-7 Machine, Nos. 20437, 51407AL, 160766 and 160769
		NOTE: When ordering No. 160770, sample of cord must be submitted.
160771	25593	Welting Attachment for 7/8 in. Welting, for 160772
		NOTE: When ordering No. 160771, sample of cord must be submitted.
160772	25593	Welting Attachment on Throw-out Arm and Bracket complete, for 7/8 in. Welting, for 247-7 Machine, Nos. 20437, 51407AL, 160769 and 160771
		NOTE: When ordering No. 160772, sample of cord must be submitted.
160774	25596	Welting Attachment for 160779
160775	25596	Welting Attachment Throw-out Arm for 160778
160776	25596	Welting Attachment Throw-out Arm Bracket for 160778
160777	25596	Welting Attachment Welt Guide for 160778
160778		Welting Attachment Throw-out Arm and Bracket with Welt Guide complete for 160779, Nos. 203J, 946D, 36006, 51322C, 54242, 160775, 160776 and 160777
160779	25596	Welting Attachment on Throw-out Arm and Bracket complete with Welt Guide for moulded Plastic Welting, for Auto Seat Covers, for 247-7 Machine, Nos. 50388J, 160774 and 160778
160782	25594	Cord Holder Rod for 160783
160782	25594	Welt Holder Rod for 160783
160783	25594	Cord Holder complete, for use with 160770 and 160772, for 247-7 Machine, Nos. 13211, 41833, 41834, 41875, 41876, 160596, 160782 and three wood screws 3/4 in. No. 12 F.H.
160783	25594	Welt Holder complete, for use with 160779, for 247-7 Machine, Nos. 13211, 41833, 41834, 41875, 41876, 160596, 160782 and three wood screws 3/4 in. No. 12 F.H.
160784	25595	Tape Holder Tape Disc Screw Stud Holder for 160785
160785	25595	Tape Holder complete, for use with 160770 and 160772, for 247-7 Machine, Nos. 120675, 120677, 160784, 259658 and three wood screws 3/4 in. No. 12 F.H.
168002	25577	Arm Rotary Shaft with 168215 for 168003
168003		Arm Rotary Shaft 168002 with 131930 and 168010, for 247-6 Machine
168010		Feed (lower) Connecting Rod 131500 with 168011, for 168003 and 168147
168011		Feed (lower) Eccentric (adjustable) complete for 168010, Nos. 1103C, 138306, two each 217J, 7071 and three 51061AL
168012	25577	Feed (lower) Lifting Eccentric with three 624AL, for 247-6 Machine
168012	25577	Looper (avoiding motion) Eccentric with three 624AL, for 247-6 Machine

No.	Plate	Name
168016	25561	Looper Carrier for 168208
168017	25561	Looper Carrier Shaft with 1231E, for 168238
168018	25561	Looper Carrier Shaft Crank with two 1057AL, for 168205
168019	25561	Looper (avoiding motion) Eccentric Connection with 223C, for 168208
168020	25561	Looper (avoiding motion) Eccentric Connection Holder for 168208
168021	25561	Looper (avoiding motion) Eccentric Connection Holder Screw Bushing for 168208
168022	25561	Looper (avoiding motion) Eccentric Connection Holder Screw Bushing Bearing
168023	25561	Looper (avoiding motion) Eccentric Connection Holder Thrust Bearing for 168208
168024	25561	Looper (driving) Eccentric with three 1036AL, for 168205
168025	25561	Looper (driving) Eccentric Connection with two each 175C and 140159AL, for 168205
168026	25561	Looper (driving) Eccentric Connection Position Plate for 168205
168030	25579	Needle Bar Connecting Link for 168031
168031		Needle Bar Connecting Link 168030 with 68489 and 131492
168035	25586	Needle Guard (movable) Holder for 247-6 Machine
168036	25562	Oil Pipe (front of arm, long) with two 1733, for 168037
168037		Oil Pipe (front of arm, long) complete, Nos. 168036, 168038 and 168039
168038	25562	Oil Pipe (front of arm, long) Oil Lead with 1733 and 131003, for oiling Arm Rotary Shaft Front Bearing, for 168037
168039	25562	Oil Pipe (front of arm, long) Oil Lead with 68497 and 131003, for oiling Feed Connecting Rod, for 168037
168040	25562	Oil Pipe (front of arm, short) with 131089 and two 1733
168042	25555	Oil Splash Guard (side of arm)
168043	25585	Presser Bar Lifting Lever Extension (back)
168044	25551	Presser Bar Spring complete, Nos. 269W, 1637J, 131749, 131750 and 131752
168045	25585	Thread (upper) Take-up (auxiliary)
168046	25579	Tension (thread covering) Controller Eyelet
168047	25579	Tension (thread covering) Thread Guide
168048	25579	Thread Laying Finger Holder with 1057AL and two 50370AL
168051	25577	Thread (under) Take-up with three 50150AL
168052	25564	Thread (under) Take-up Stripper for 168104
168053	25564	Thread (under) Take-up Stripper Bracket for 168104
168061	25585	Thread (upper) Eyelet
168063	25573	Belt Guard with two wood screws 3/4 in. No. 12 R.H.
168066		Arm, upper and lower (solid) with 948J, 68483 and four 131022
168067	25555	Chip Chute
168068	25555	Chip Chute Arm
168071	25555	Cloth Plate Slide for 168072
168072	25555	Cloth Plate Slide complete, for 168301, Nos. 38419, 168071 and two 665J
168074	25581	Feed (back) Bar with 620AL, 1147AL and 50429AL, for 168305
168076	25581	Feed (back) Bar Slide Block (two pieces) for 247-6 Machine
168076	25582	Feed (lower) Bar Slide Block (two pieces) for 247-7 Machine
168077	25587	Feed (back) Dog, 10 teeth (16 teeth to the inch) for 168108, for 1/8 in.—3/16 in., 1/8 in.—1/4 in., 3/16 in.—1/8 in. and 3/16 in.—3/16 in. gauges, for 247-6 Machine
168078	25587	Feed (front) Dog, 12 teeth (16 teeth to the inch) for 168108, for 1/8 in.—3/16 in., 1/8 in.—1/4 in., 3/16 in.—1/8 in. and 3/16 in.—3/16 in. gauges, for 247-6 Machine

No.	Plate	Name
168080	25560	Knife (movable)
168081	25560	Knife (movable) Holder with 1000C
168082	25560	Knife (movable) Lever with 1178C and 20437, for 168187
168083	25560	Knife (movable) Lever Bearing Arm
168084	25560	Knife (movable) Lever Bearing Arm Bracket
168085	25560	Knife (movable) Lever Connecting Link
168086	25560	Knife (movable) Lever Connection with 620AL, for 168187
168087	25560	Knife (movable) Lever Hinge Screw Stud
168088	25560	Knife (stationary)
168089	25560	Knife (stationary) Clamping Plate
168090	25560	Knife (stationary) Holder
168094	25586	Needle Bar complete, Nos. 131497 and 168095, for 1/8 in.—1/16 in., 1/8 in.—1/8 in., 1/8 in.—3/16 in., 1/8 in.—1/4 in., 3/16 in.—1/16 in., 3/16 in.—1/8 in., 3/16 in.—3/16 in., 1/4 in.—1/16 in. and 1/4 in.—1/8 in. gauges.
168095	25575	Needle Clamp with 906AL and two 904AL, for 1/8 in.—1/16 in., 1/8 in.—1/8 in., 1/8 in.—3/16 in., 1/8 in.—1/4 in., 3/16 in.—1/16 in., 3/16 in.—1/8 in., 3/16 in.—3/16 in., 1/4 in.—1/16 in. and 1/4 in.—1/8 in. gauges, for 168094
168096	25587	Needle Guard (movable) for 3/16 in.—3/16 in. and 1/4 in.—1/8 in. gauges, for 247-6 Machine
168097	25555	Oil Splash Guard
168099	25586	Presser Foot Shank for 168281 and 168292
168101	25564	Thread (under) Eyelet (front) for 168104
168102	25564	Thread (under) Take-up Stripper Plate for 168104
168103	25564	Thread (under) Take-up Stripper Plate Bracket for 168104
168104	25564	Thread (under) Take-up Stripper Plate Bracket 168103 with 17022, 51323J, 168052, 168053, 168101, 168102, 168105, 168106 and three each 176J, 7071 and 140180J
168105	25564	Thread (under) Take-up Stripper Thread Guide for 168104
168106	25564	Thread (under) Take-up Stripper Thread Separator for 168104
168107	25587	Throat Plate for 168108
168108	25587	Throat Plate 168107 with 168109 and two 706W, for 168077, 168078, 168150 and 168162, for 1/8 in.—3/16 in., 1/8 in.—1/4 in., 3/16 in.—1/8 in. and 3/16 in.—3/16 in. gauges
168109	25586	Throat Plate Thread Retainer for 168108, 168135 and 168234
168111	25575	Arm Rock Shaft and Front Crank with 853AL, 1235F, 50505C and 131819
168112	25579	Face Plate
168114	25583	Feed (upper) Bar for 168115 and 168308
168115		Feed (upper) Bar 168114 with 199J, 52595, 54143, 131647, 131690 and three 1423W, for 247-7 Machine
168116	25576	Feed (upper) Driving Crank for 247-7 Machine
168117	25583	Feed (upper) Bell Crank Hinge Bracket
168118	25583	Feed (upper) Bell Crank Hinge Bracket Screw Stud
168119	25583	Feed (upper) Regulator with 140123C
168120	25583	Feed (upper) Regulator Shaft
168121	25584	Feed (upper) Regulator Connection for 247-7 Machine
168122	25583	Feed (upper) Regulator Connection Hinge Bracket for 247-6 Machine
168125	25579	Presser Bar
168126	25579	Presser Bar Lifting Bracket with 1441AL
168127	25579	Presser Bar Lifting Bracket Guide
168128	25585	Presser Bar Lifting Lever
168129	25585	Presser Bar Lifting Lever Extension (front)
168130	25579	Thread (upper) Take-up with 223J
168132	25588	Feed (back) Dog, 12 teeth (16 teeth to the inch) for 168135, for 1/4 in.—1/16 in. and 1/4 in.—1/8 in. gauges, for 247-6 Machine

## NUMERICAL LIST OF PARTS

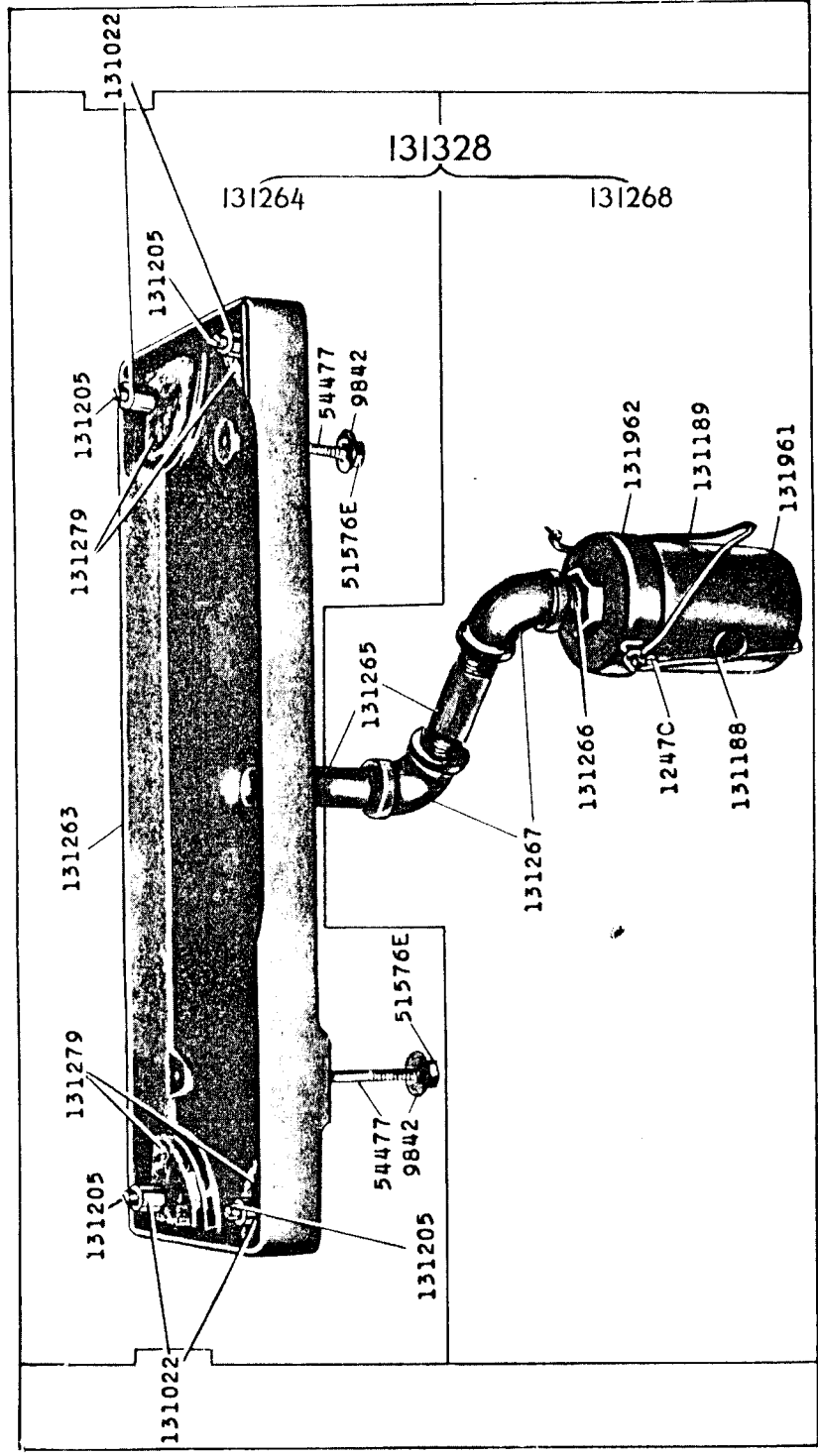
No.	Plate	Name
168133	25588	Feed (front) Dog, 12 teeth (16 teeth to the inch) for 168135, for 1/4 in.—1/16 in. and 1/4 in.—1/8 in. gauges, for 247-6 Machine
168134	25588	Throat Plate for 168135
168135	25588	Throat Plate 168134 with 168109 and two 706W, for 168132, 168133 and 168253, for 1/4 in.—1/16 in. and 1/4 in.—1/8 in. gauges
168144	25585	Tension (upper thread) Thread Separator
168146	25578	Arm Rotary Shaft with 168215, for 168147
168147		Arm Rotary Shaft 168146 with 131930 and 168010, for 247-7 Machine
168148	25582	Feed (lower) Bar with 620AL, for 168149
168149		Feed (lower) Bar and Feed Dog Leveling Device complete, for 168246, Nos. 190J, 22436, 131730 and 168148
168150	25590	Feed Dog, 16 teeth (10 teeth to the inch) for 168108 and 168160, for 1/8 in.—3/16 in., 1/8 in.—1/4 in., 3/16 in.—1/8 in. and 3/16 in.—3/16 in. gauges, for 247-7 Machine
168151	22578	Feed (lower) Lifting Eccentric with three 624AL, for 247-7 Machine
168151	25578	Looper (avoiding motion) Eccentric with three 624AL, for 247-7 Machine
168153	25590	Needle Guard (movable) for 1/8 in.—3/16 in., 1/8 in.—1/4 in., 3/16 in.—1/8 in., 3/16 in.—3/16 in., 1/4 in.—1/16 in. and 1/4 in.—1/8 in. gauges, for 247-7 Machine
168160	25592	Throat Plate for 168150, for 3/16 in.—3/16 in. gauge, for Auto Seat Covers, for 247-7 Machine
168162	25590	Feed Dog, 25 teeth (16 teeth to the inch) for 168108, for 1/8 in.—3/16 in., 1/8 in.—1/4 in., 3/16 in.—1/8 in. and 3/16 in.—3/16 in. gauges, for 247-7 Machine
168187		Knife (movable) Lever 168082 with 1722J, 14017, 132583 and 168086
168188	25581	Feed (lower) Rocking Frame with 51657J, 140428AL and two each 1597J and 140427AL, for 168305
168190	25583	Feed (upper) Bell Crank Connection Sleeve for 247-6 Machine
168191	25575	Feed (upper) Driving Crank for 247-6 Machine
168192	25583	Feed (upper) Regulator Connection for 247-6 Machine
168193	25583	Feed (upper) Regulator Connection Hinge Bracket Plate for 247-6 Machine
168195	25561	Looper (back) for 168197
168196	25561	Looper (front) for 168197
168197	25561	Loopers complete, Nos. 168195, 168196 and two 208AL
168198	25572	Chip Chute (under table) with four wood screws 3/8 in. No. 6 R.H.B., for semi-submerged mounting
168199	25589	Needle Guard (movable) for 3/16 in.—1/16 in. gauge, for 247-7 Machine
168200	25589	Needle Guard (movable) for 1/8 in.—1/16 in. and 1/8 in.—1/8 in. gauges, for 247-7 Machine
168205		Looper (driving) Eccentric Connection 168025 with 50138E, 168018, 168024 and 168026, for 168238
168208		Looper Carrier 168016 with 132583, 168019, 168020, 168021 and 168023, for 168238
168209	25579	Thread Carrying Finger
168210	25580	Needle Bar Bushing (lower) for 247-7 Machine
168211	25572	Chip Chute with two 330R, for fully-submerged mounting
168215	25577	Arm Rotary Shaft Oil Wick for 168002 and 168146
168233	25586	Throat Plate for 168234
168234	25586	Throat Plate 168233 with 168109 and two 706W, for 168235, 168236 and 168252, for 1/8 in.—1/16 in., 1/8 in.—1/8 in. and 3/16 in.—1/16 in. gauges
168235	25586	Feed (back) Dog, 12 teeth (16 teeth to the inch) for 168234, for 1/8 in.—1/16 in., 1/8 in.—1/8 in. and 3/16 in.—1/16 in. gauges, for 247-6 Machine

No.	Plate	Name
168236	25586	Feed (front) Dog, 12 teeth (16 teeth to the inch) for 168234, for 1/8 in.—1/16 in., 1/8 in.—1/8 in. and 3/16 in.—1/16 in. gauges, for 247-6 Machine
168238		Looper Carrier 168208 with 168017 and 168205
168239	25586	Needle Guard (movable) for 1/8 in.—1/16 in. and 1/8 in.—1/8 in. gauges, for 247-6 Machine
168244	25582	Feed (lower) Rocking Frame with two 453AL, for 168245
168245		Feed (lower) Rocking Frame 168244 with 20437, 50581R and 168247, for 168246
168246		Feed (lower) Rocking Frame 168245 with 59343, 131197, 132583 and 168149, for 247-7 Machine
168247	25584	Feed (upper) Regulator Connection Hinge Bracket for 168245
168248	25586	Presser Foot Guard for 168281 and 168292
168252	25589	Feed Dog, 25 teeth (16 teeth to the inch) for 168234, for 1/8 in.—1/16 in., 1/8 in.—1/8 in., 3/16 in.—1/16 in. gauges, for 247-7 Machine
168253	25591	Feed Dog, 26 teeth (16 teeth to the inch) for 168135, for 1/4 in.—1/16 in. and 1/4 in.—1/8 in. gauges, for 247-7 Machine
168280	25586	Presser Foot Plate for 168281
168281	25586	Presser Foot (hinged) complete, for 1/8 in.—1/16 in., 1/8 in.—1/8 in., 1/8 in.—3/16 in., 1/8 in.—1/4 in., 3/16 in.—1/16 in., 3/16 in.—1/8 in., 3/16 in.—3/16 in., 1/4 in.—1/16 in. and 1/4 in.—1/8 in. gauges, Nos. 228J, 7298, 168099, 168248 and 168280
168288	25586	Feeding Foot
168289	25592	Feeding Foot, for 247-7 Machine, for Auto Seat Covers
168291	25592	Presser Foot Plate for 168292
168292	25592	Presser Foot (hinged) complete, for 3/16 in.—3/16 in. gauge, for Auto Seat Covers, for 247-7 Machine, Nos. 228J, 7298, 168099, 168248 and 168291
168293	25586	Needle Guard (movable) for 3/16 in.—1/16 in. and 3/16 in.—1/8 in. gauges, for 247-6 Machine
168294	25587	Needle Guard (movable) for 1/8 in.—3/16 in. and 1/8 in.—1/4 in. gauges, for 247-6 Machine
168295	25588	Needle Guard (movable) for 1/4 in.—1/16 in. gauge, for 247-6 Machine
168300	25555	Cloth Plate (sectional) with two 1011F, for 168301
168301	25555	Cloth Plate (sectional) complete, Nos. 168072 and 168300
168305		Feed (lower) Rocking Frame 168188 with 61C, 704E, 1655E, 51700C, 59343, 131766, 131772, 131775, 131779, 131780, 131781, 132583, 140311C, 147571 and 168074, for 247-6 Machine
168306	25583	Feed (upper) Regulator Shaft Crank with 1057AL, for 168307
168307		Feed (upper) Regulator Shaft Crank 168306 with 1700C, 50416C and 59455, for 168308
168308		Feed (upper) Bar 168114 with 199J, 54143, 131647, 131690, 168307 and two 1423W, for 247-6 Machine
192274	25583	Feed (upper) Bar Spring for 131690
200383C	25594	Cord Holder Rod Set Screw for 160596
200383C	25595	Tape Holder Tape Disc Screw Stud Holder Set Screw for 259658
200383C	25594	Welt Holder Rod Set Screw for 160596
201018C		Thread Unwinder Spool Rest Set Screw for 225257 (3)
201528X		Thread Unwinder Spool Pin Nut for 225257 (6)
225257	25574	Thread Unwinder Spool Rest with 201018C and two each 201528X, 228692 and 228693, for 151038 (3)
228692	25574	Thread Unwinder Spool Pin for 225257 (6)
228693		Thread Unwinder Spool Pin Washer for 225257 (6)
259658	25595	Tape Holder Tape Disc Screw Stud Holder Base for 160785

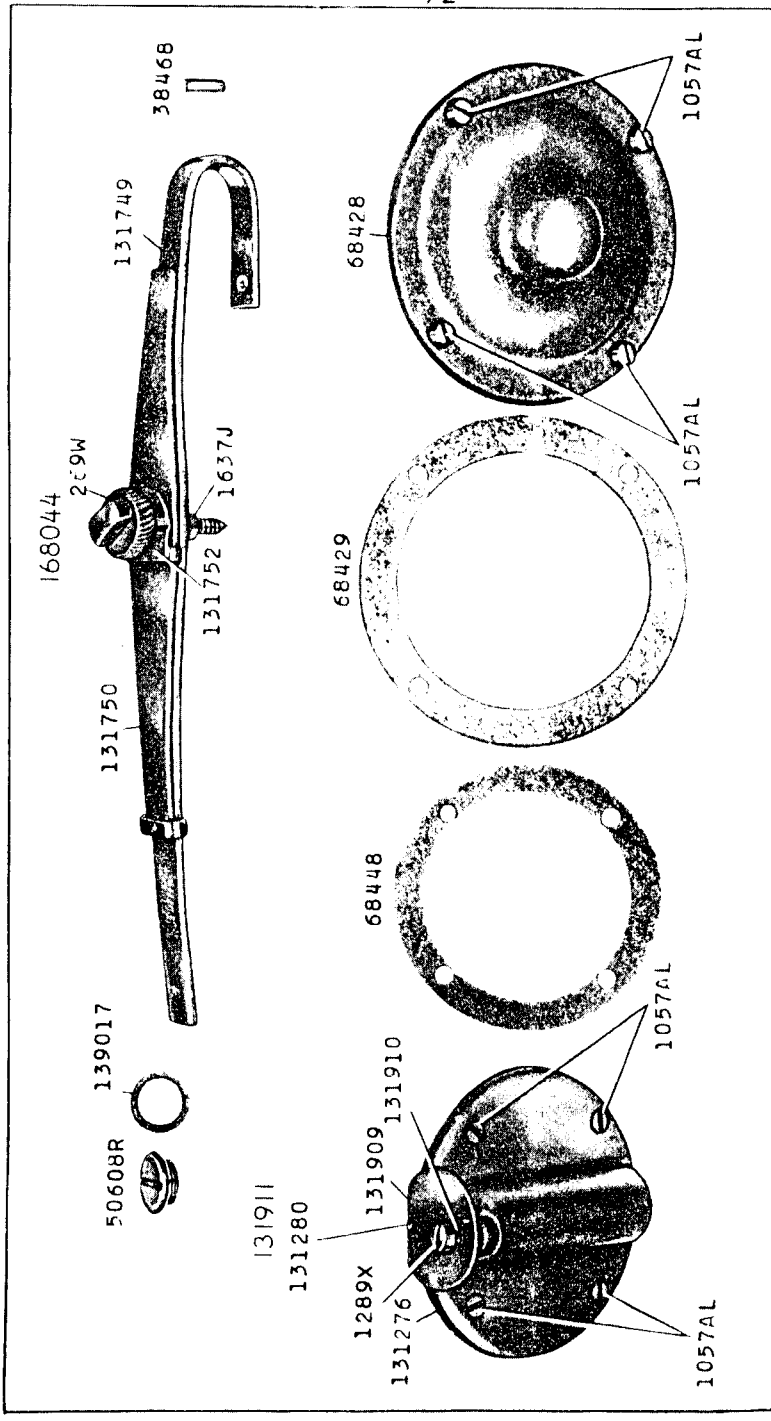


**SINGER** Needles should be used  
 in **SINGER** Machines  
 These Needles and their Containers  
 are marked with the  
 Company's Trade Mark "SIMANCO."\*\* 1

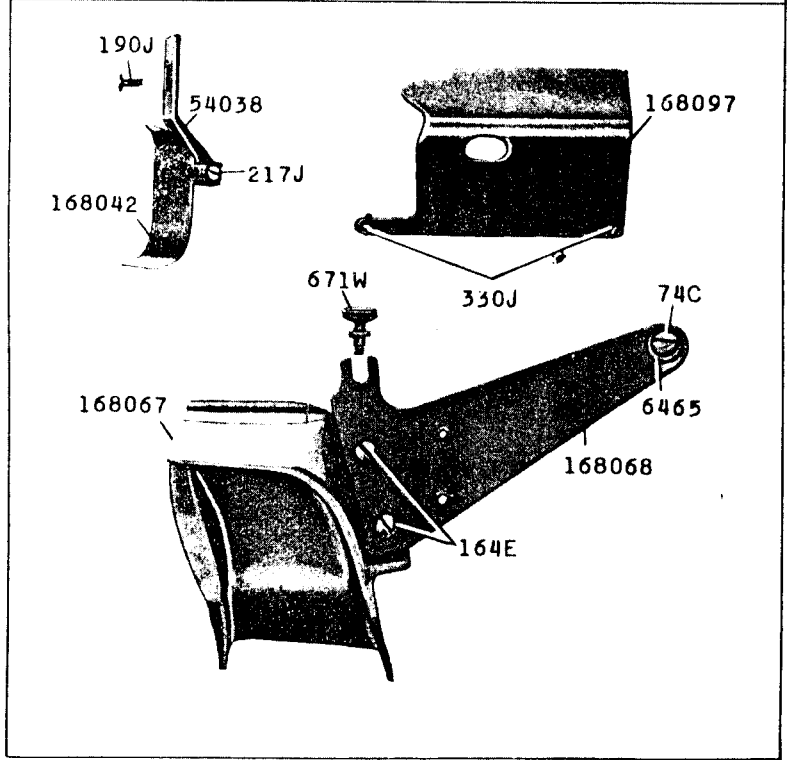
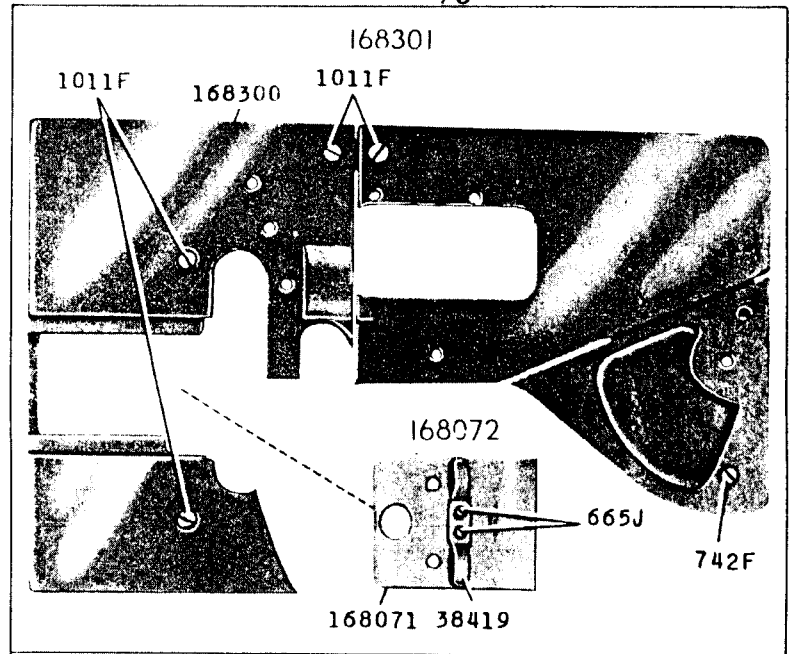
Needles in Containers marked  
 "FOR SINGER MACHINES"  
 are NOT **SINGER** made needles. 2



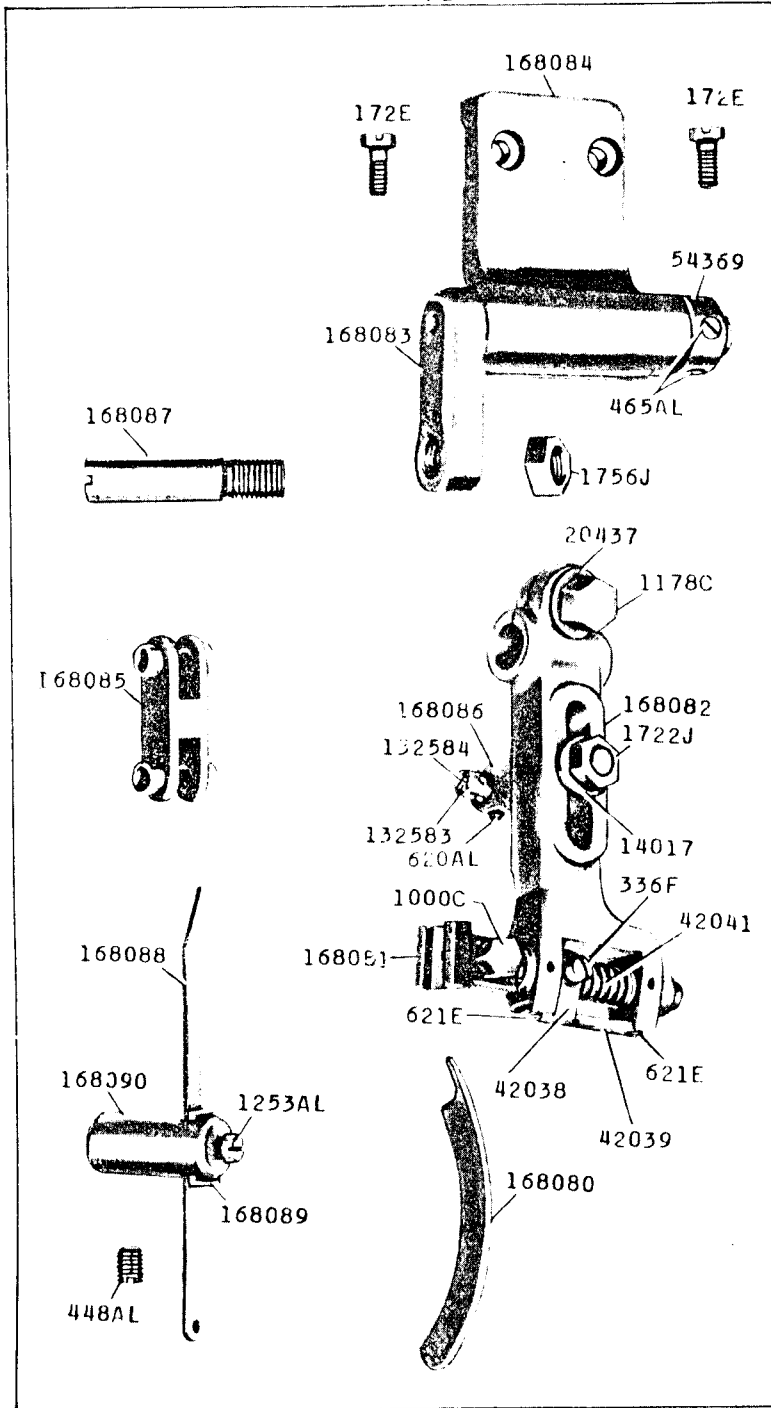
25551-1/2



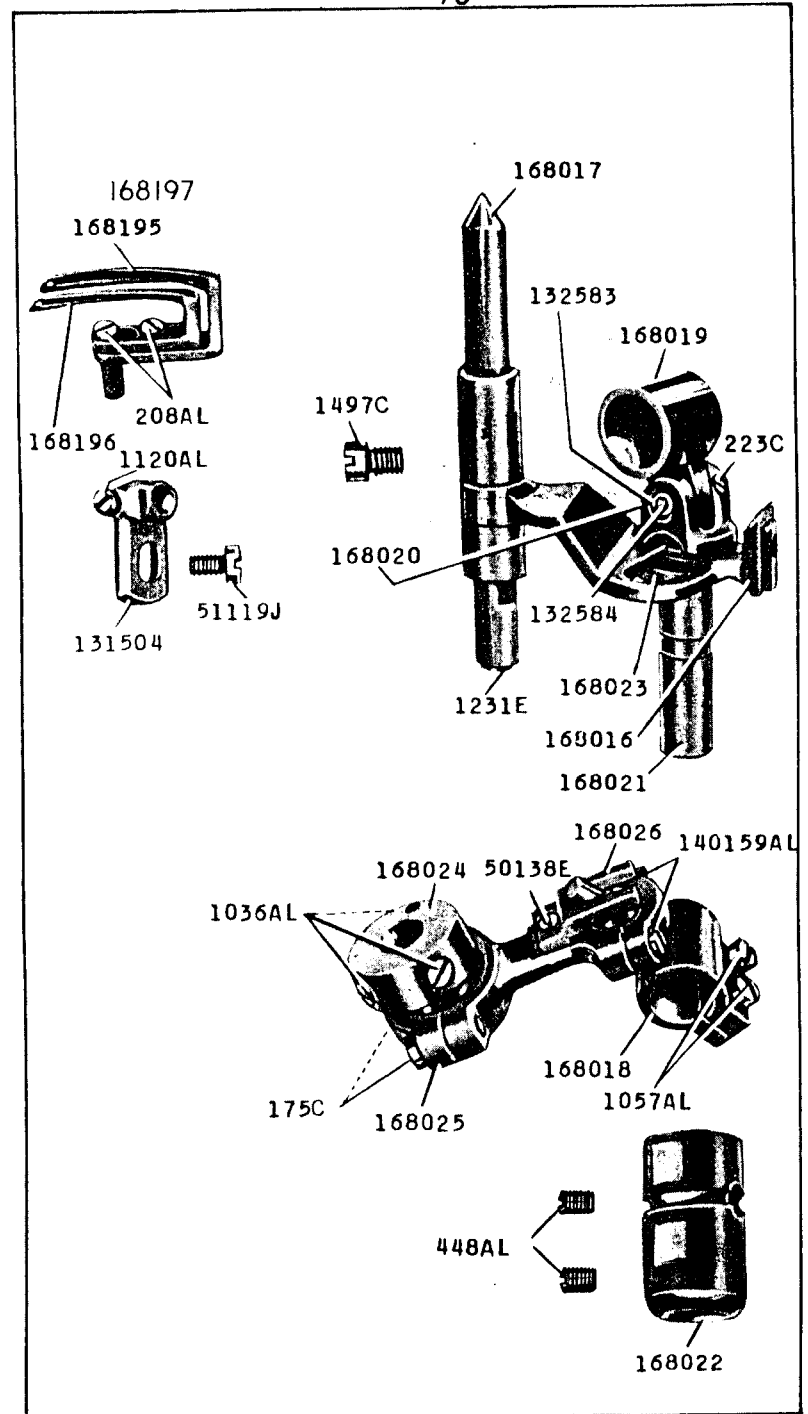
25555-1/3



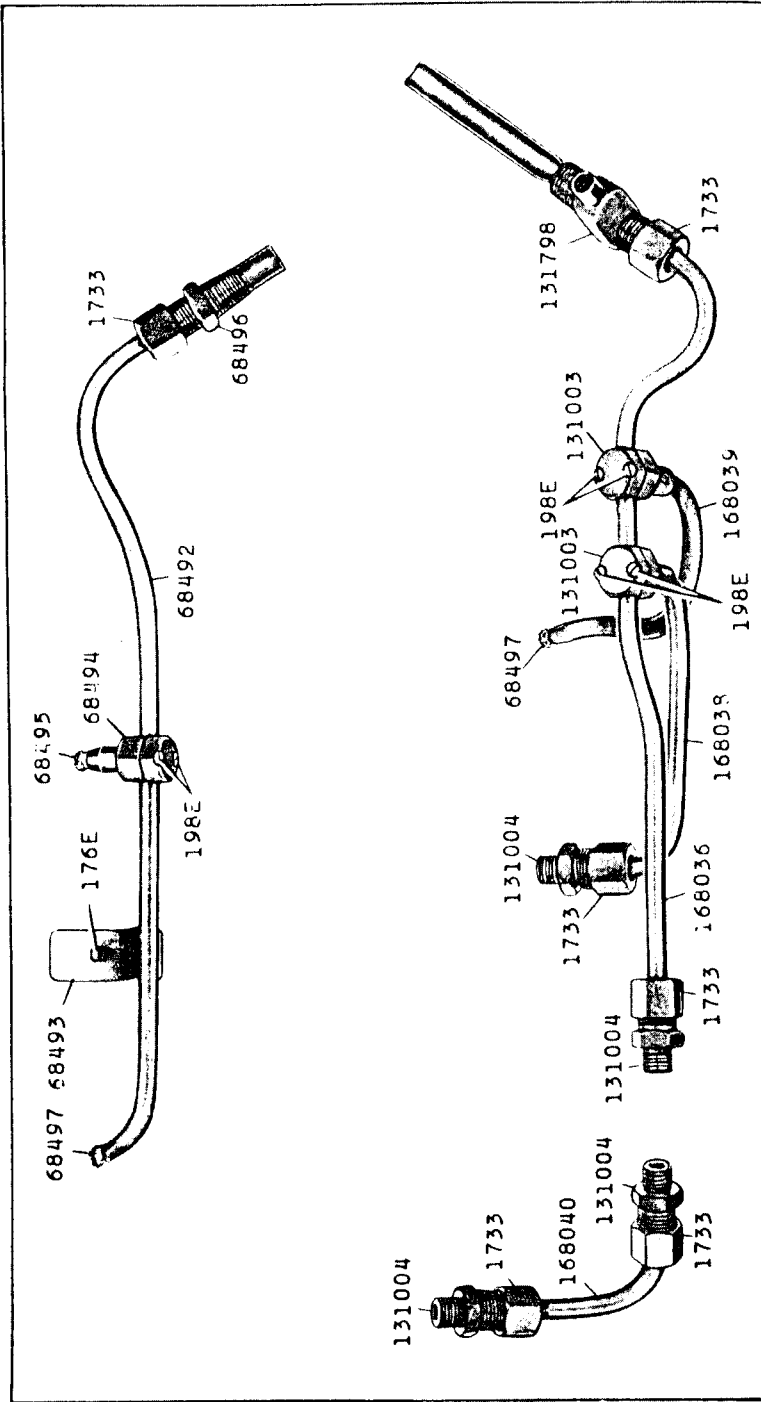
25560-2/3



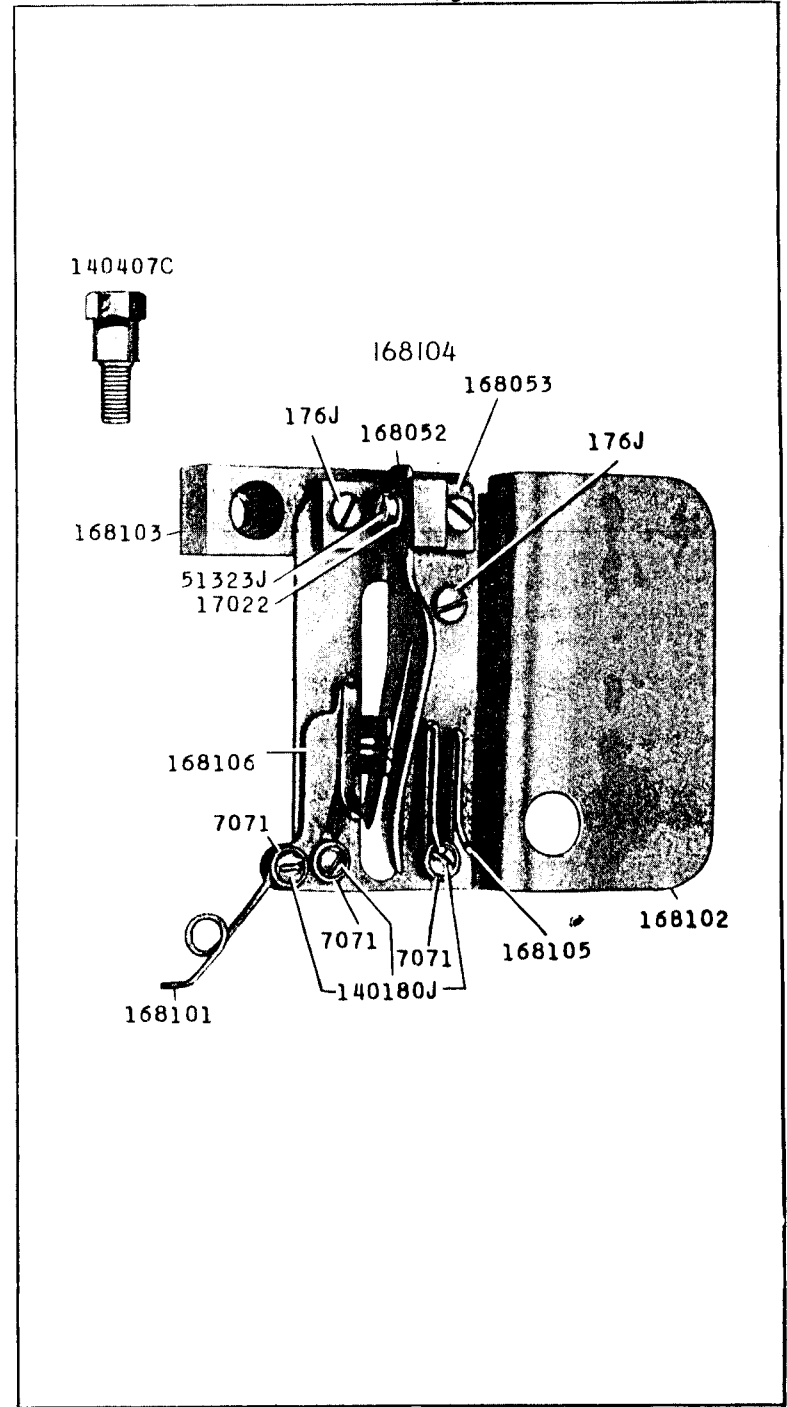
25561-2/3



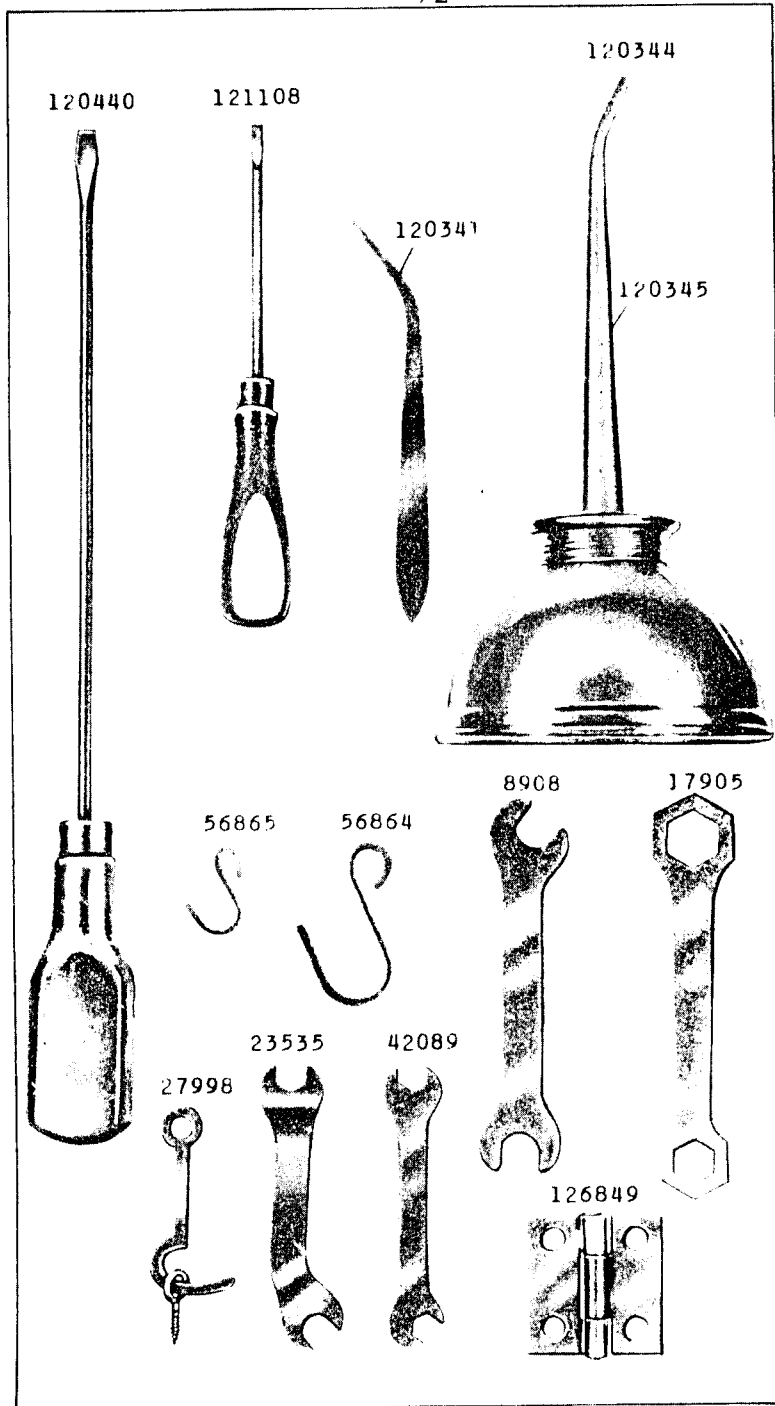
25562-1/2



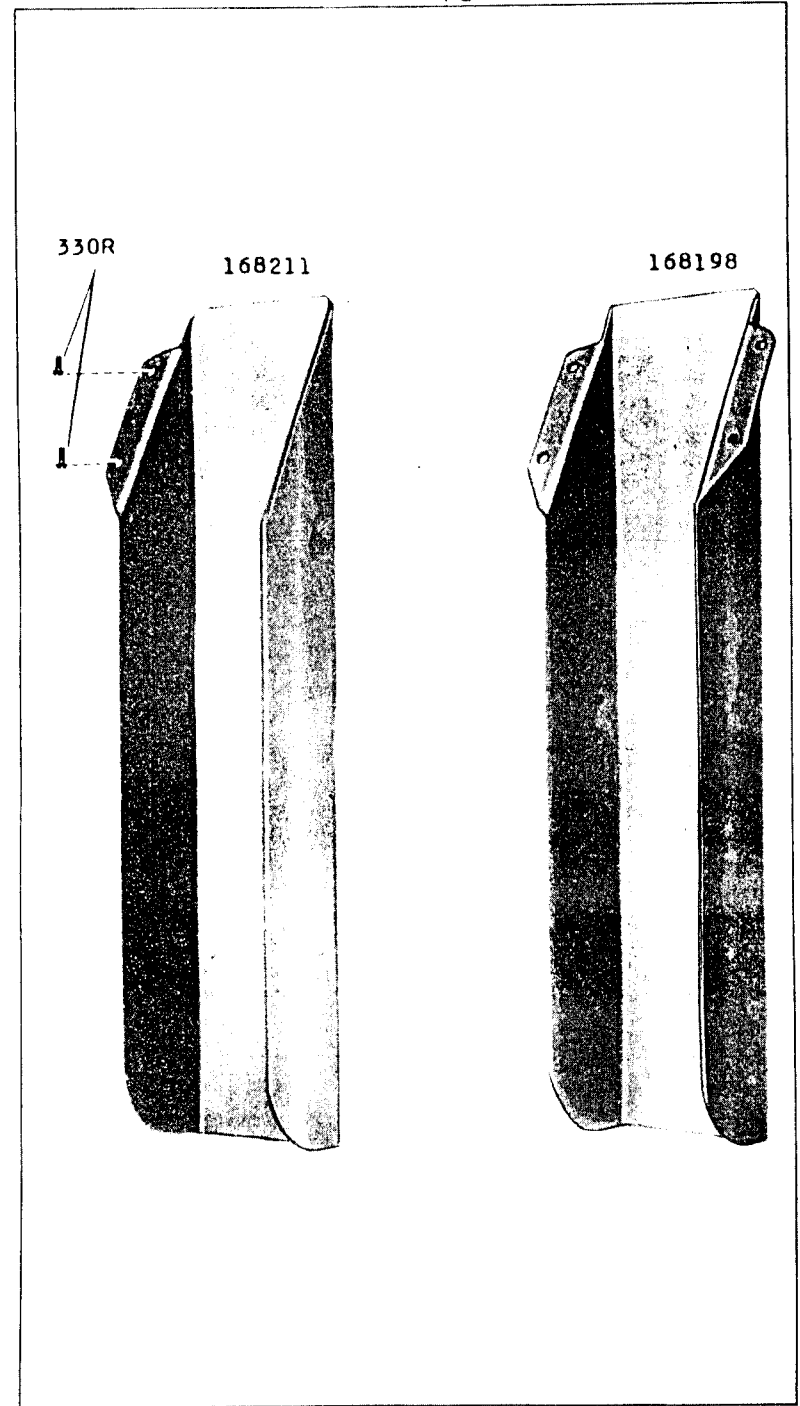
25564-2/3



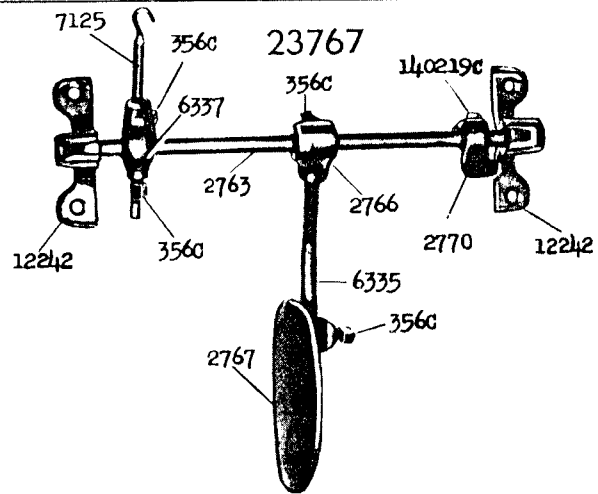
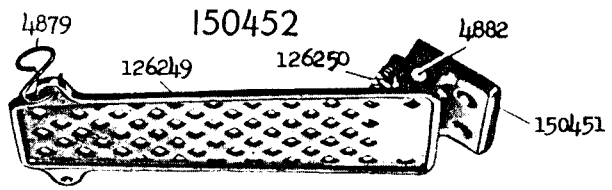
25571-1/2



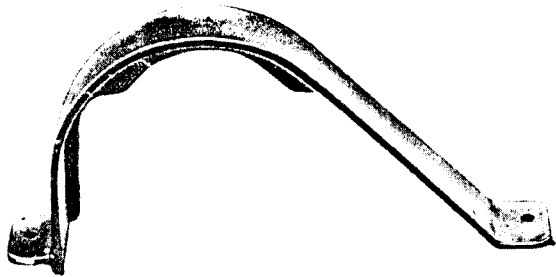
25572-1/3



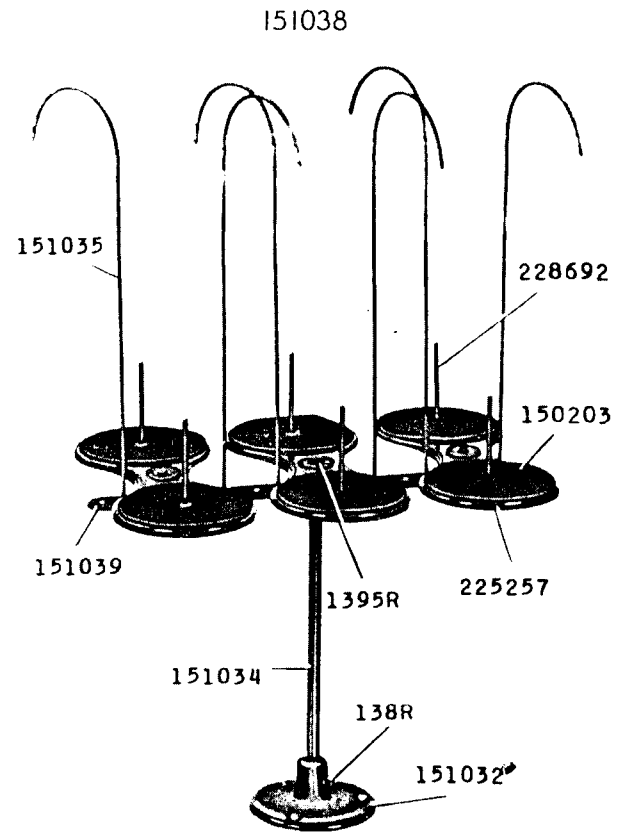
25573-1/4



168064

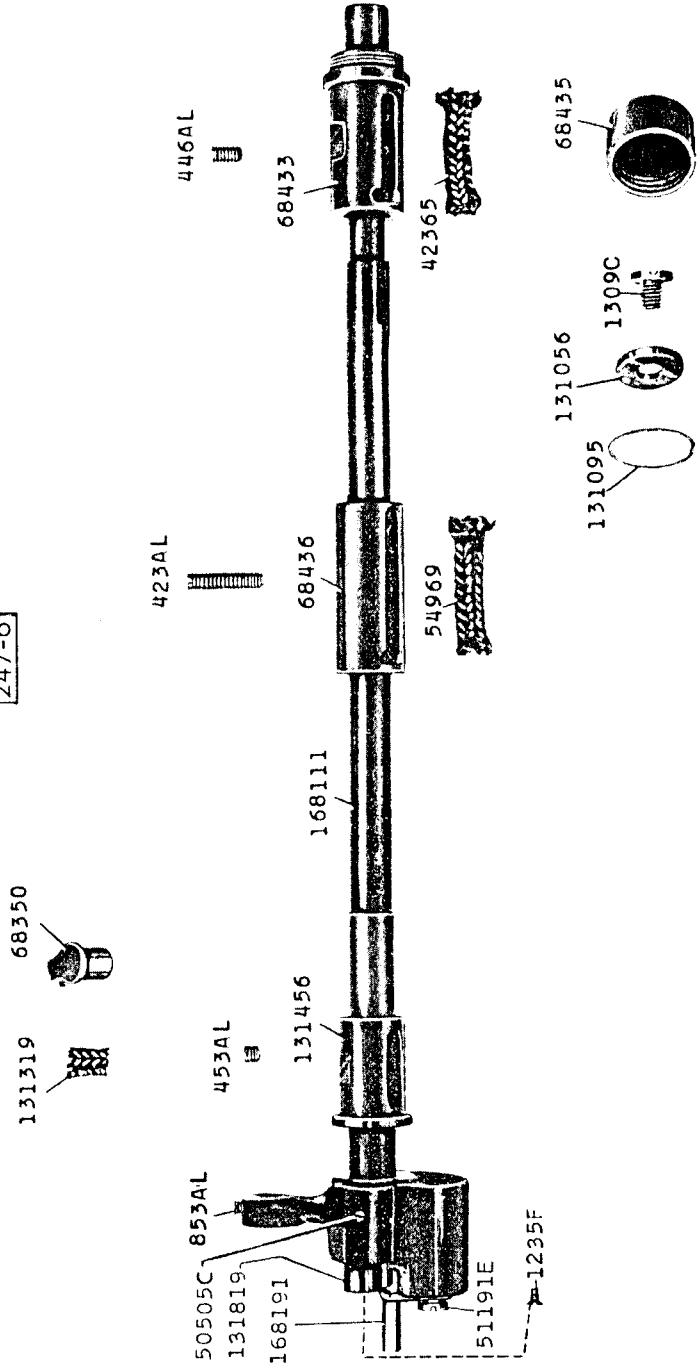


25574-1/6



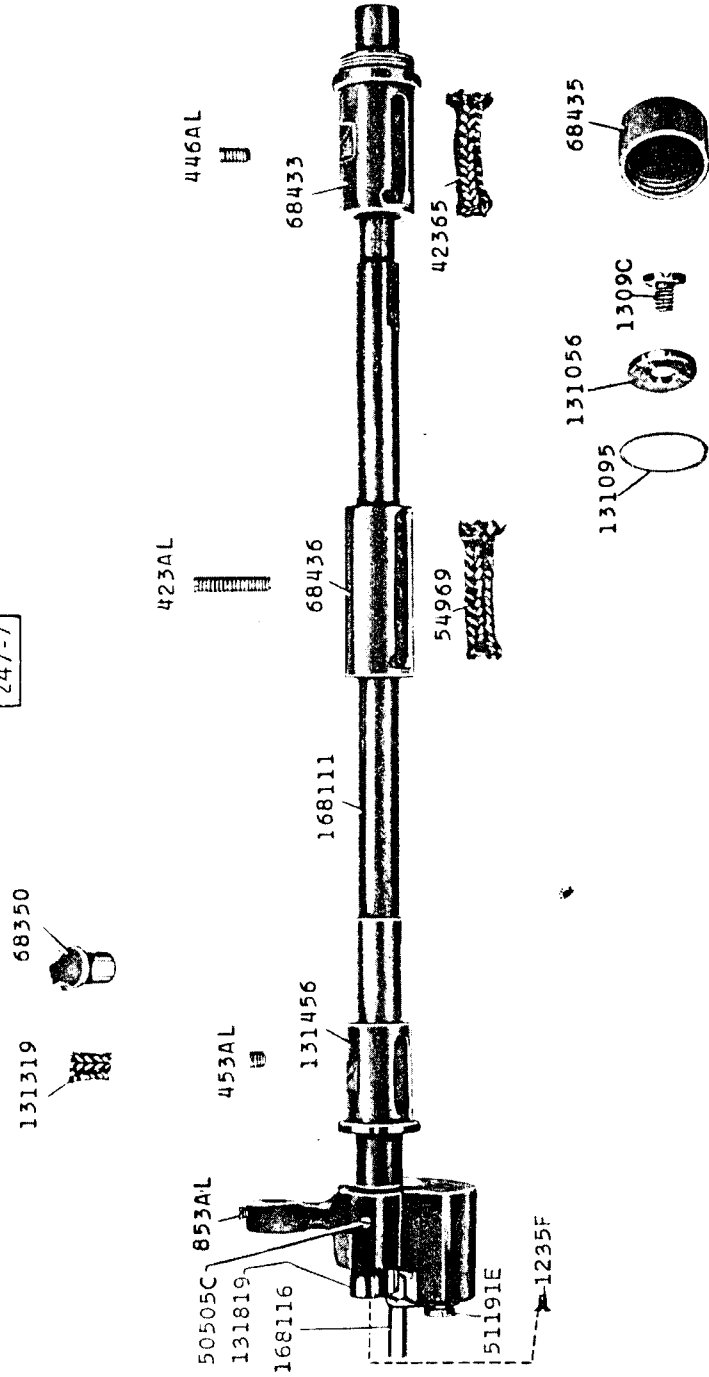
25575-1/2

247-6



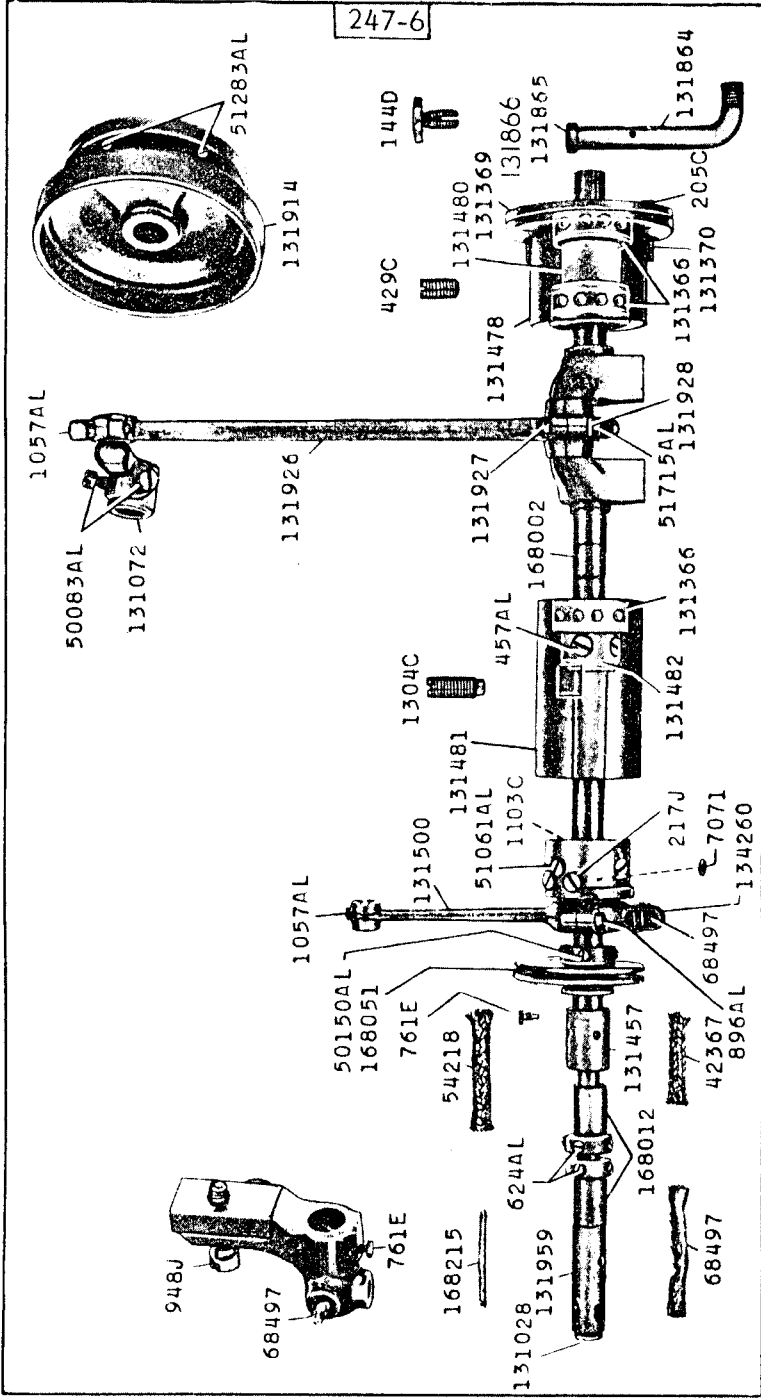
25576-1/2

247-7



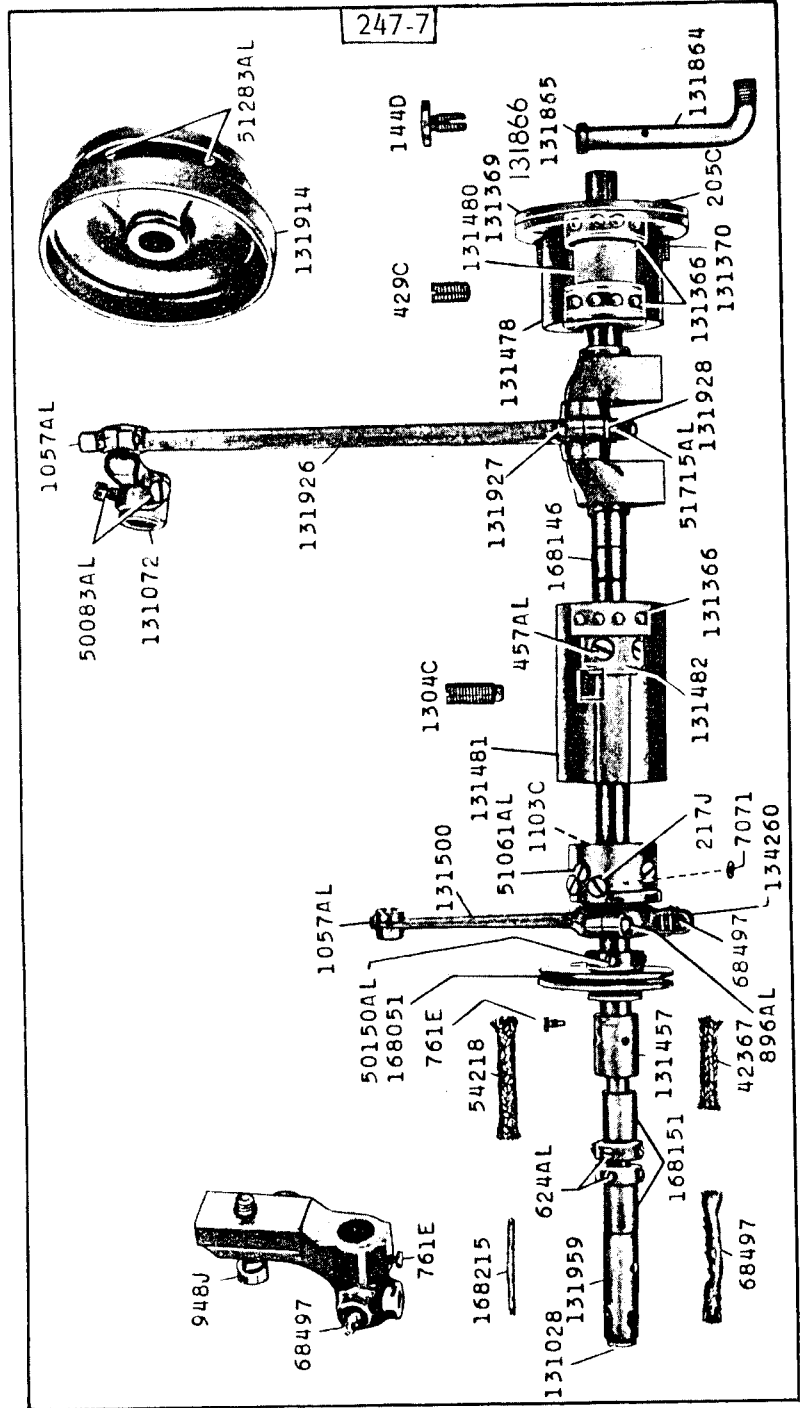
25577-1/3

247-6



25578-1/3

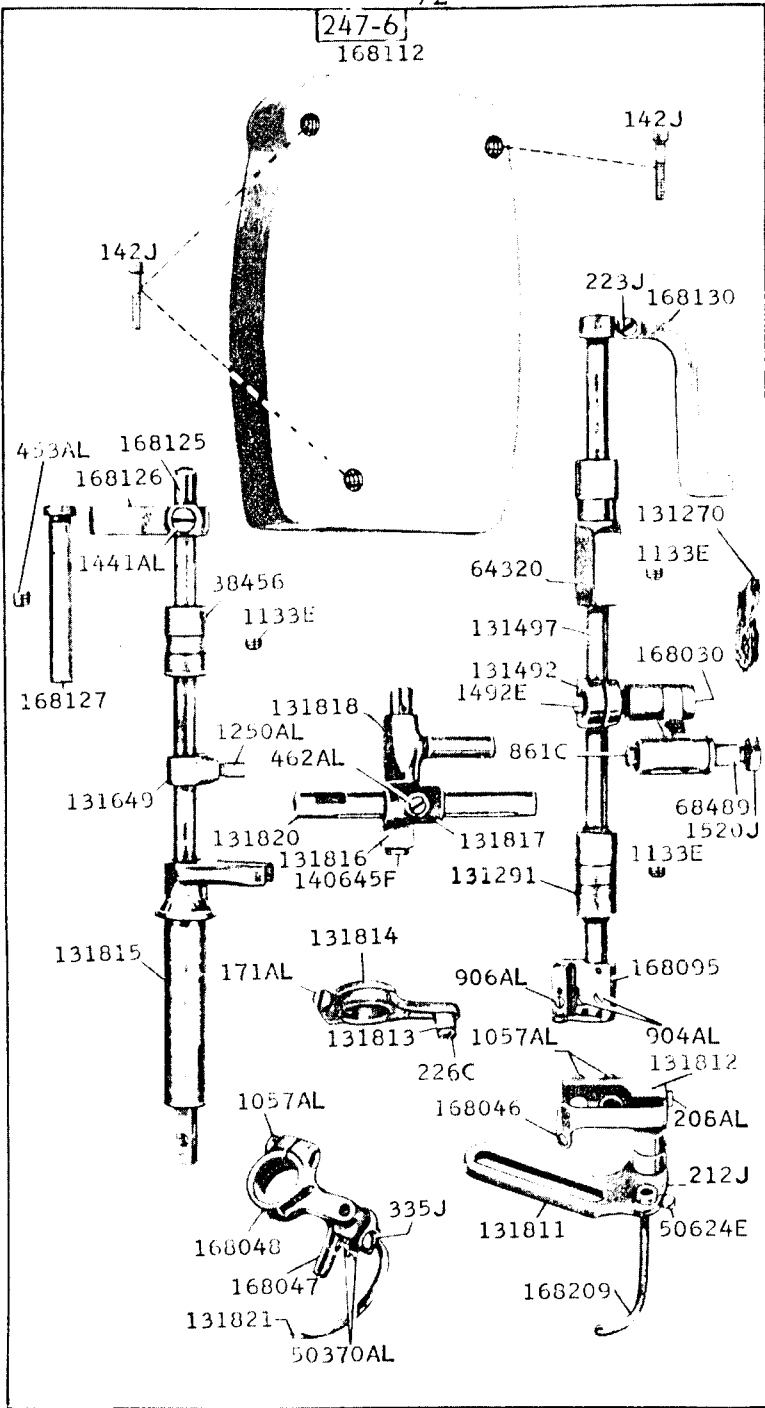
247-7





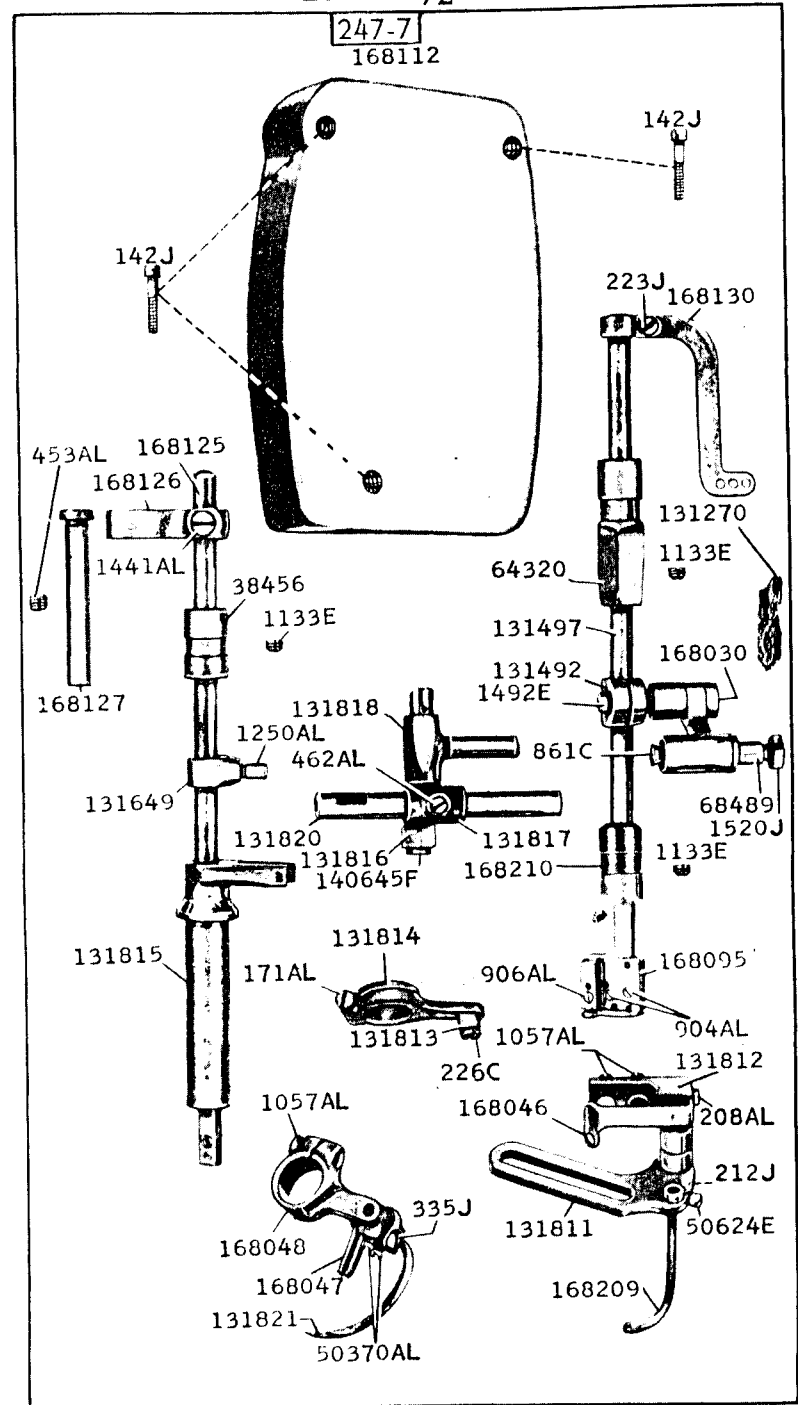
25579-1/2

247-6  
168112



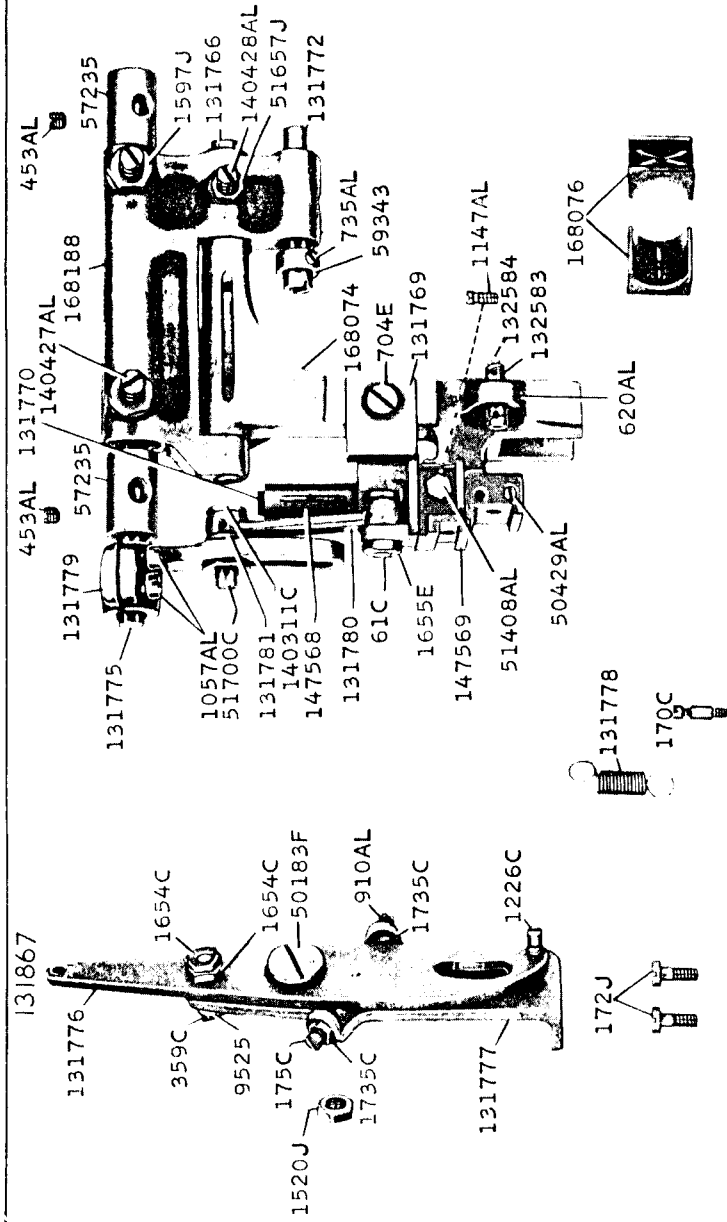
25580-1/2

247-7  
168112



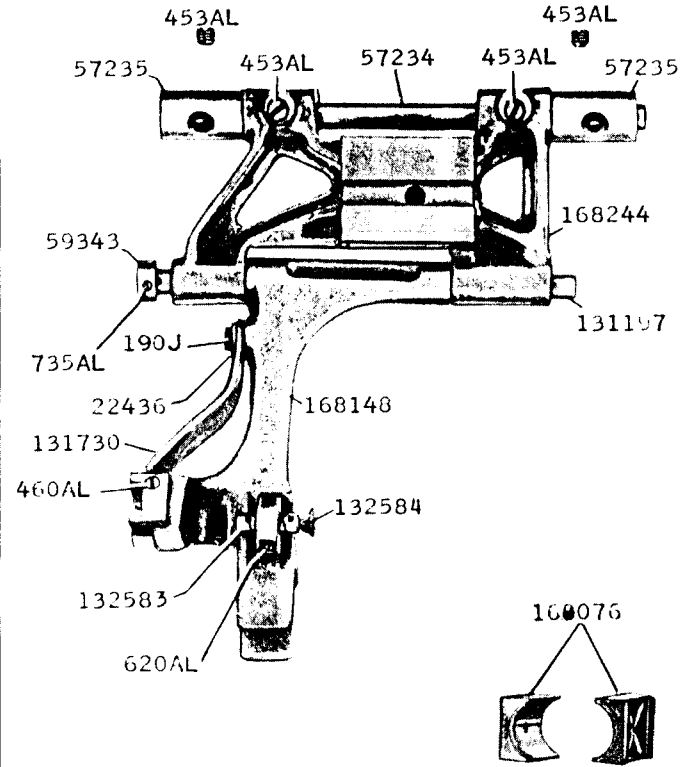
25581-1/2

247-6



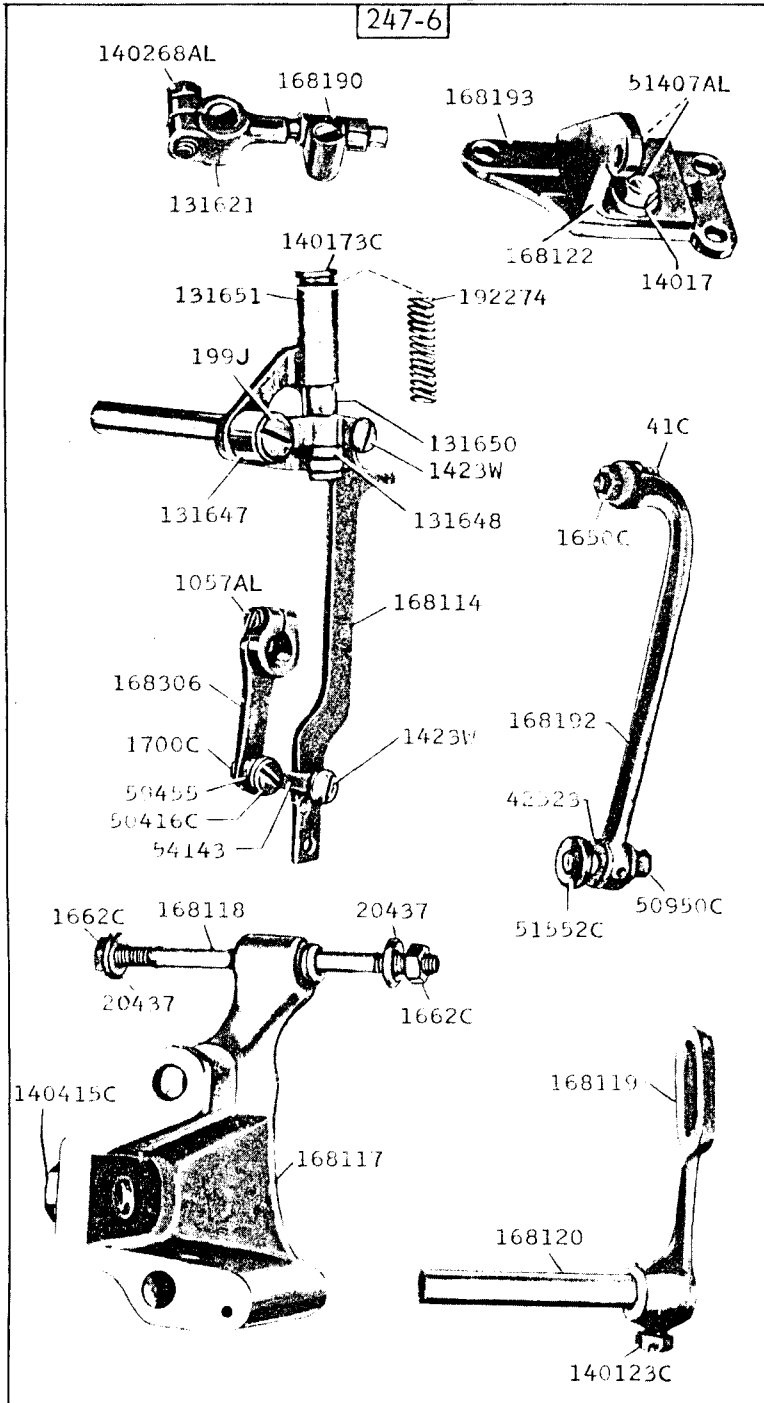
25582-1/2

247-7



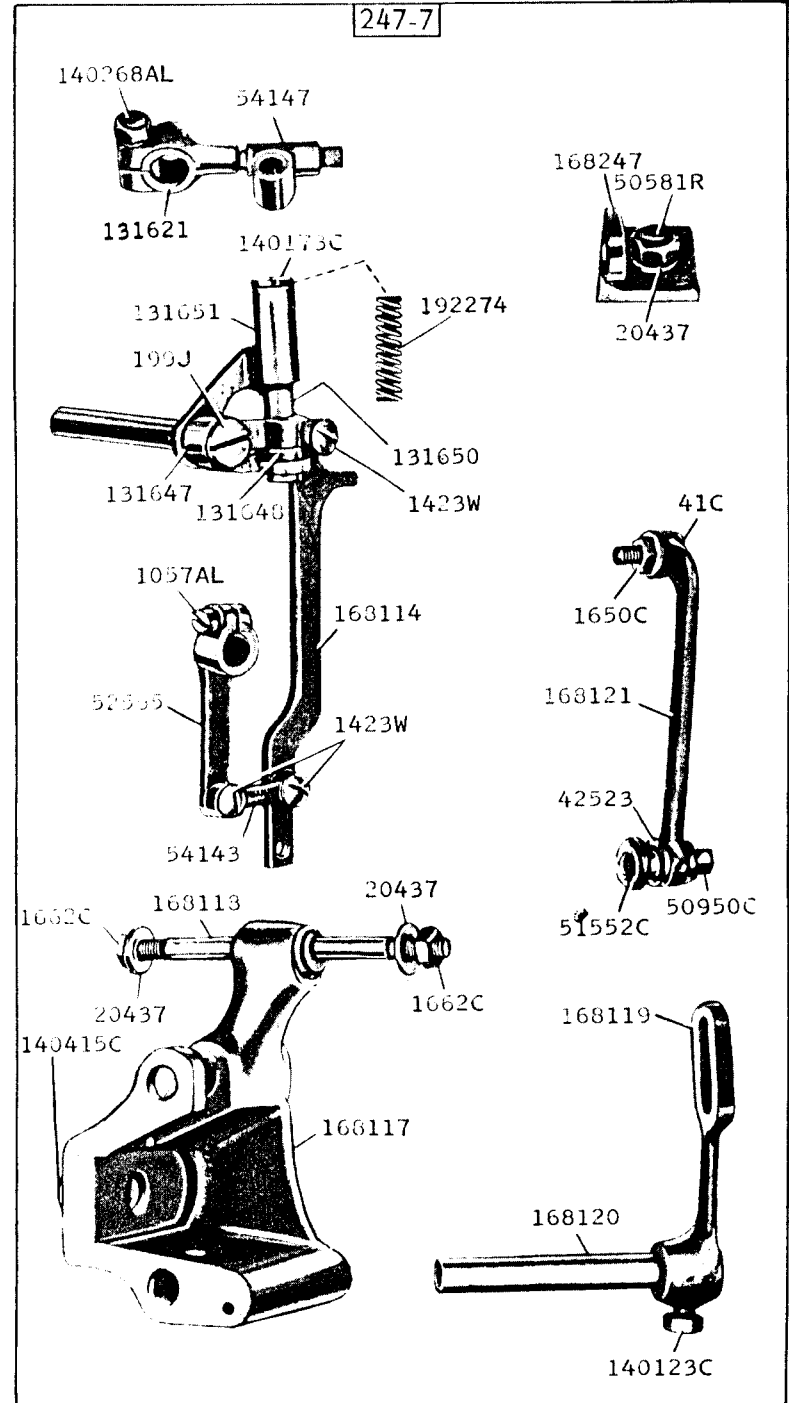
25583-1/2

247-6

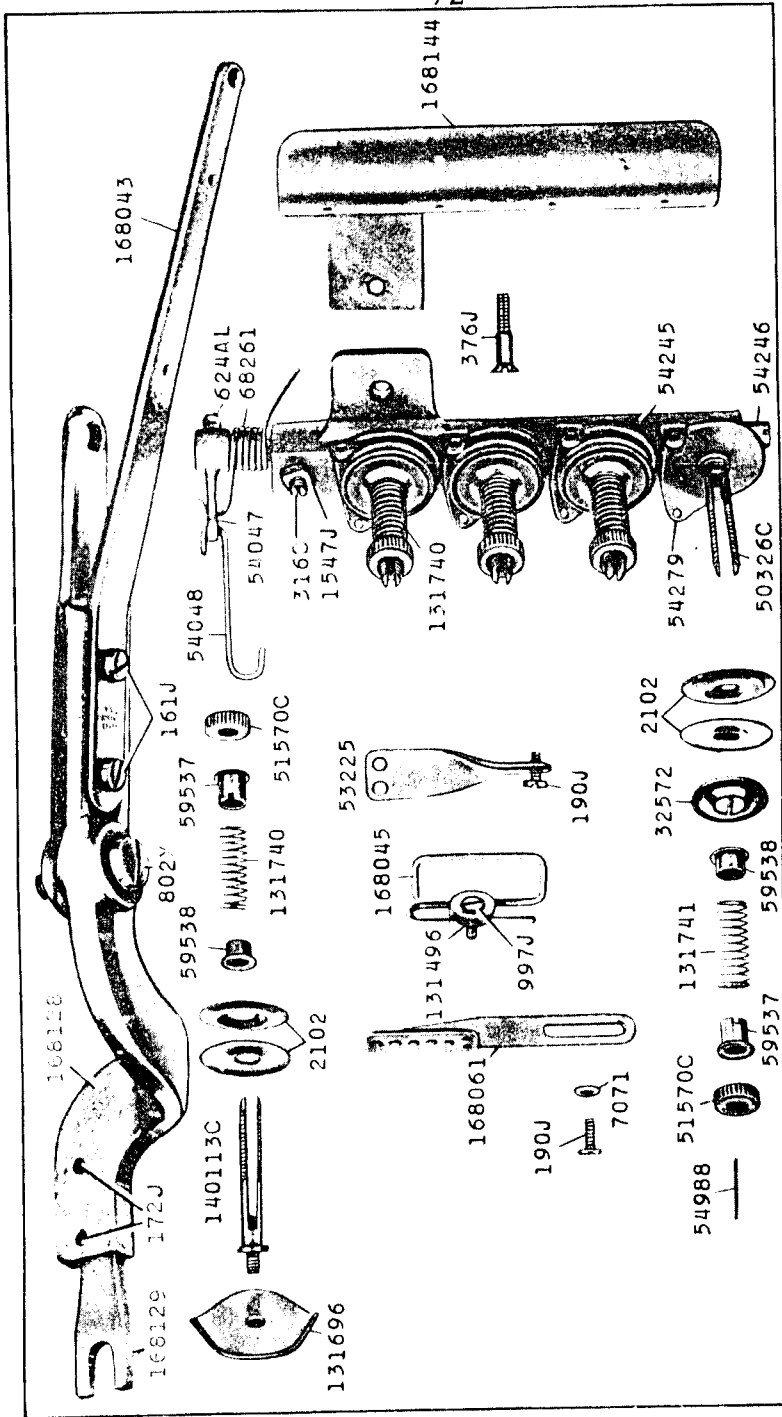


25584-1/2

247-7

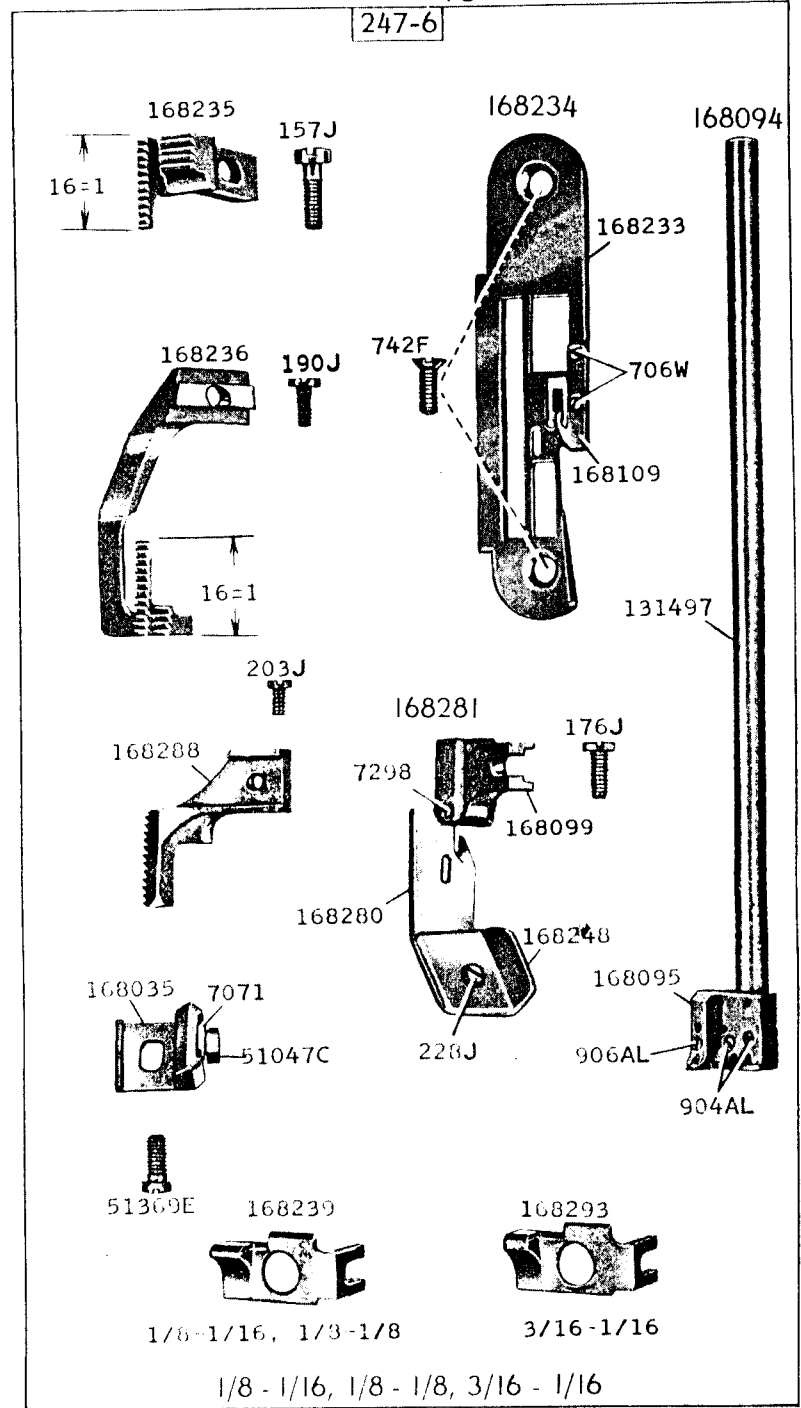


25585-1/2



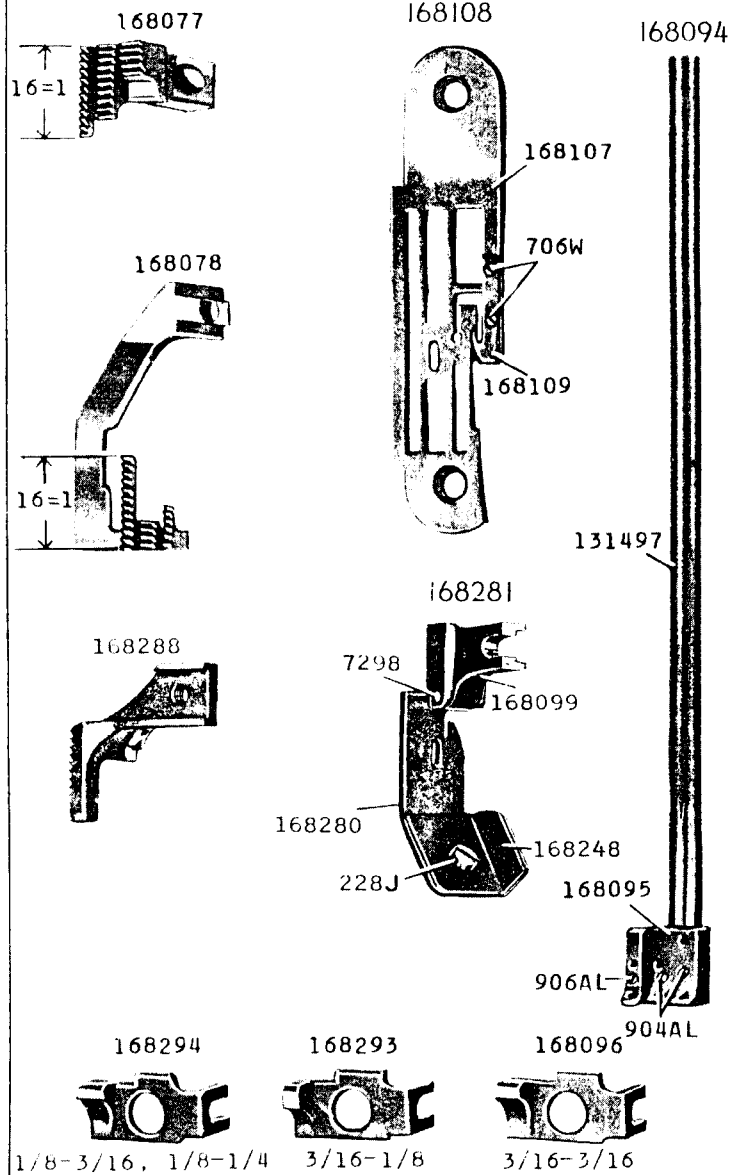
25586-2/3

247-6



25587-2/3

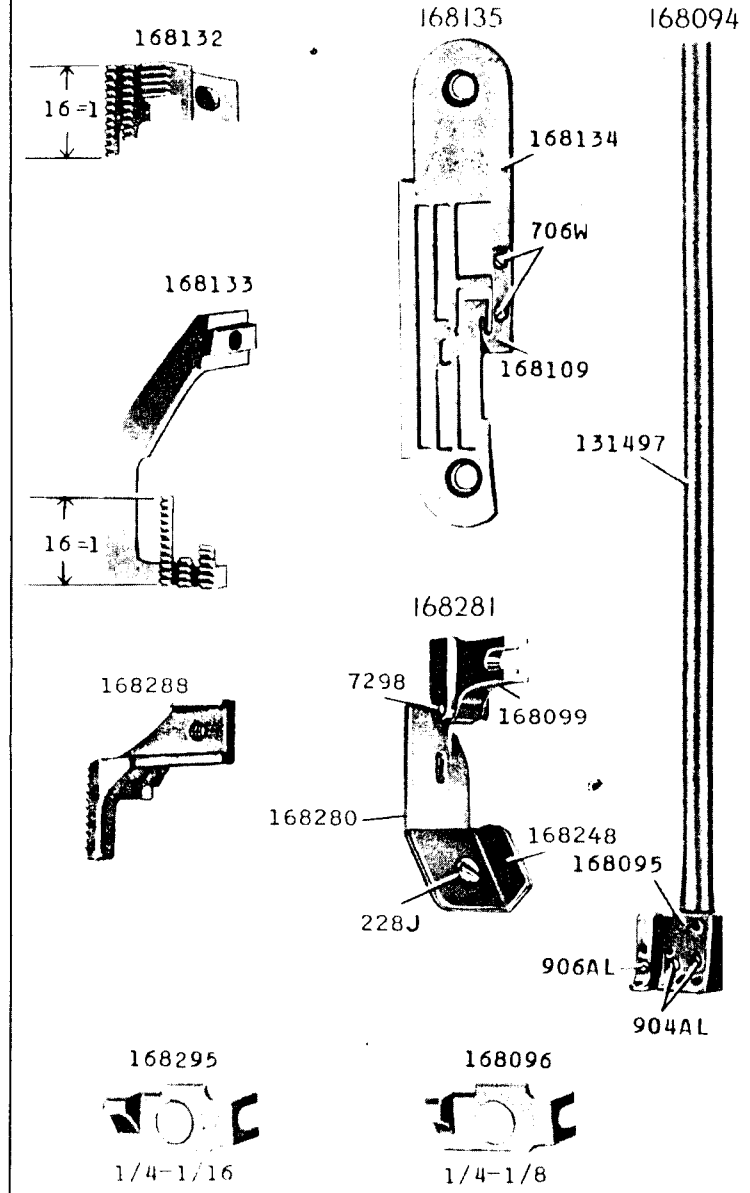
247-6



1/8-3/16, 1/8-1/4, 3/16-1/8, 3/16-3/16

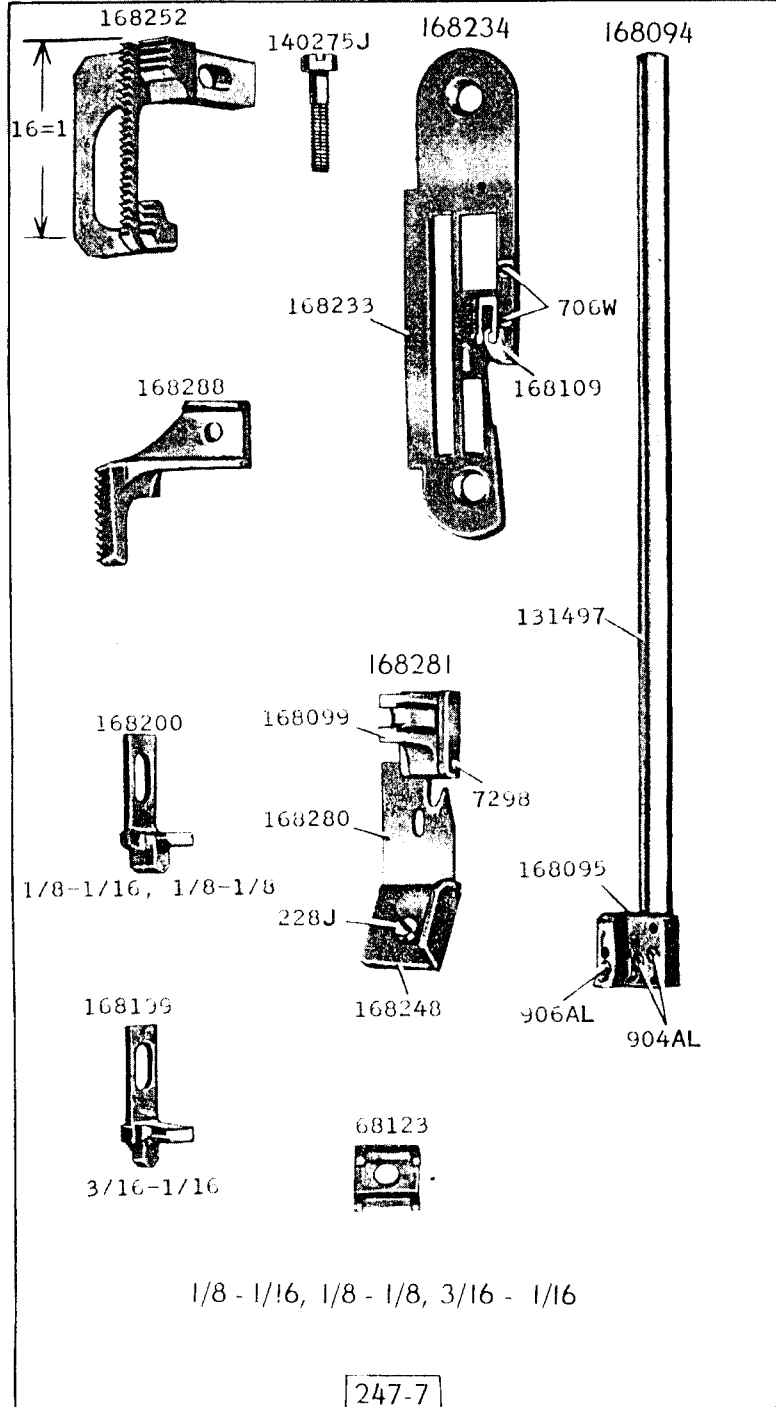
25588-2/3

247-6

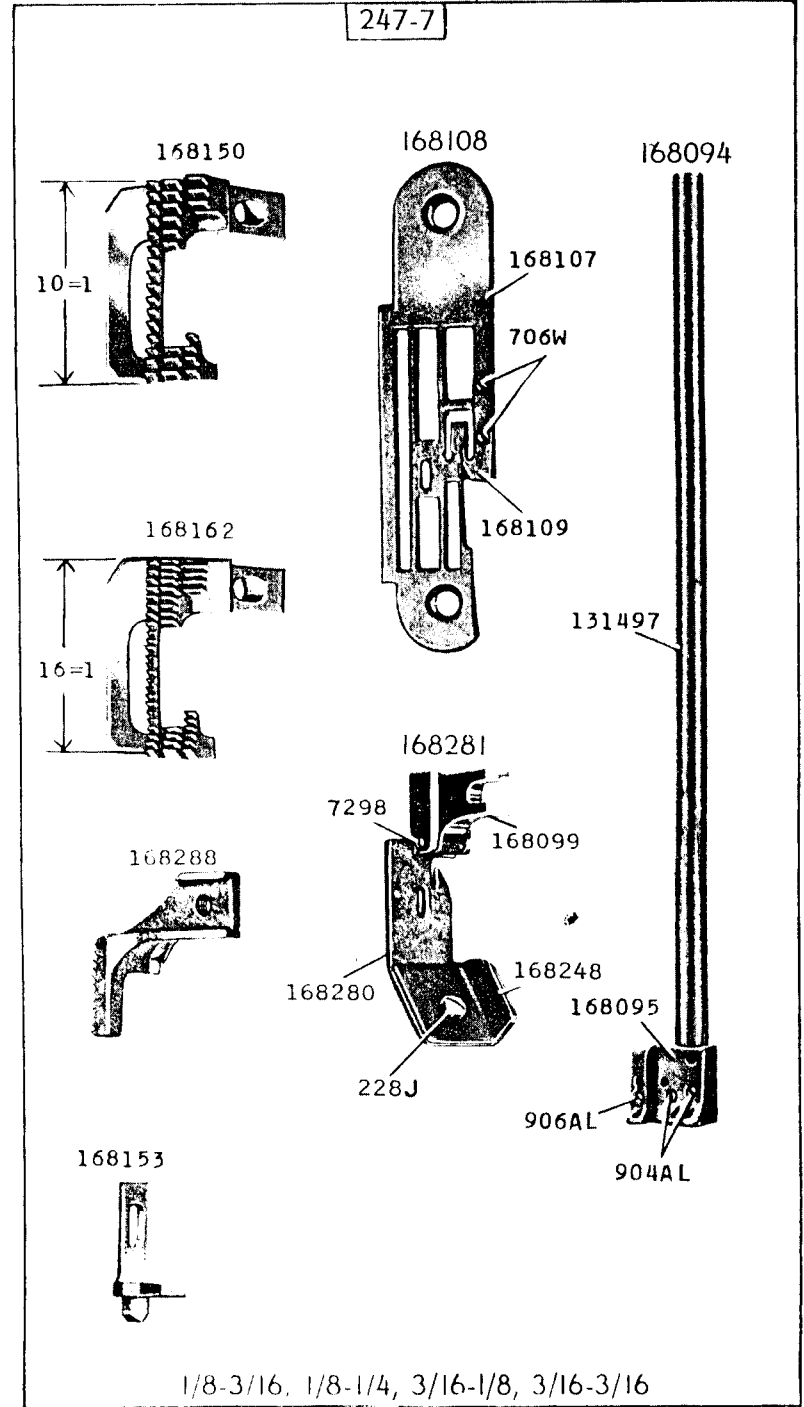


1/4-1/16, 1/4-1/8

25589-2/3

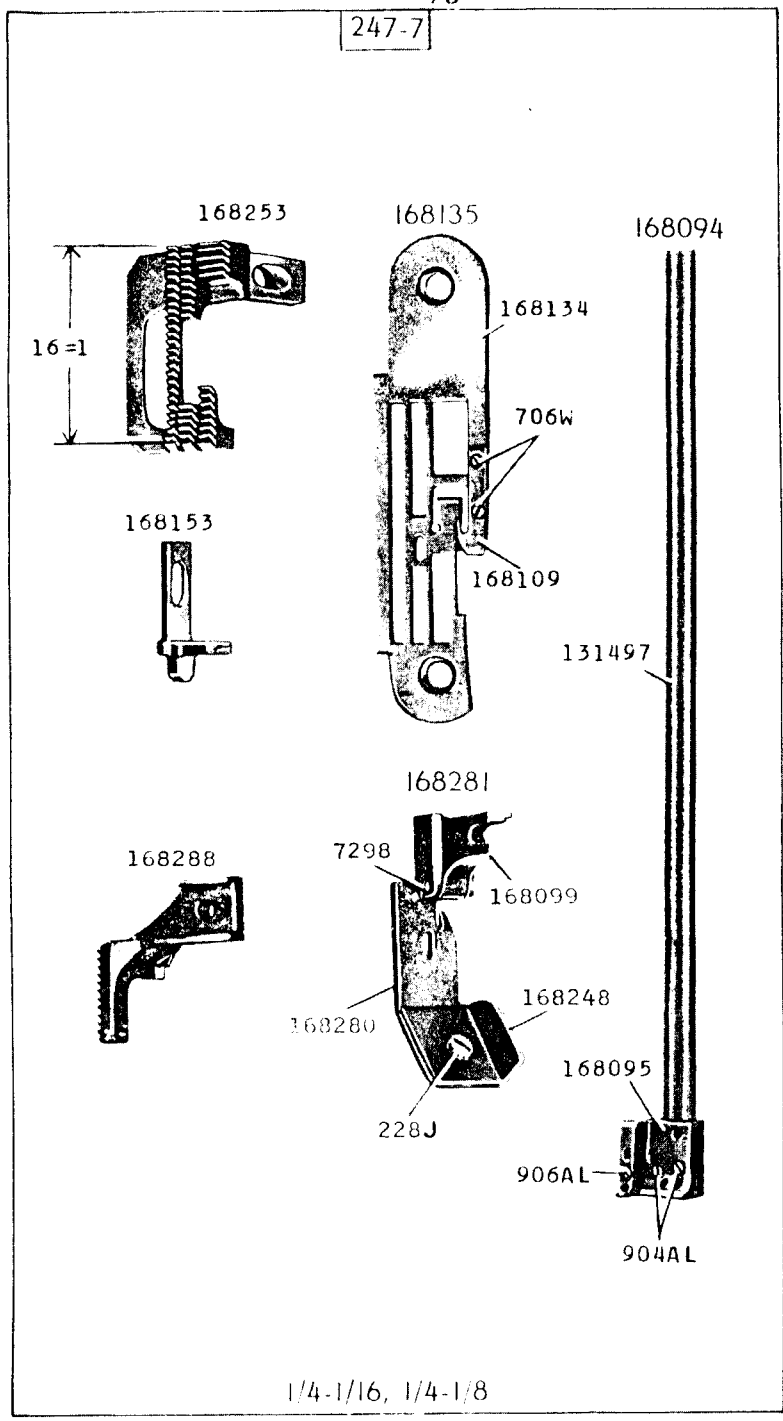


25590-2/3



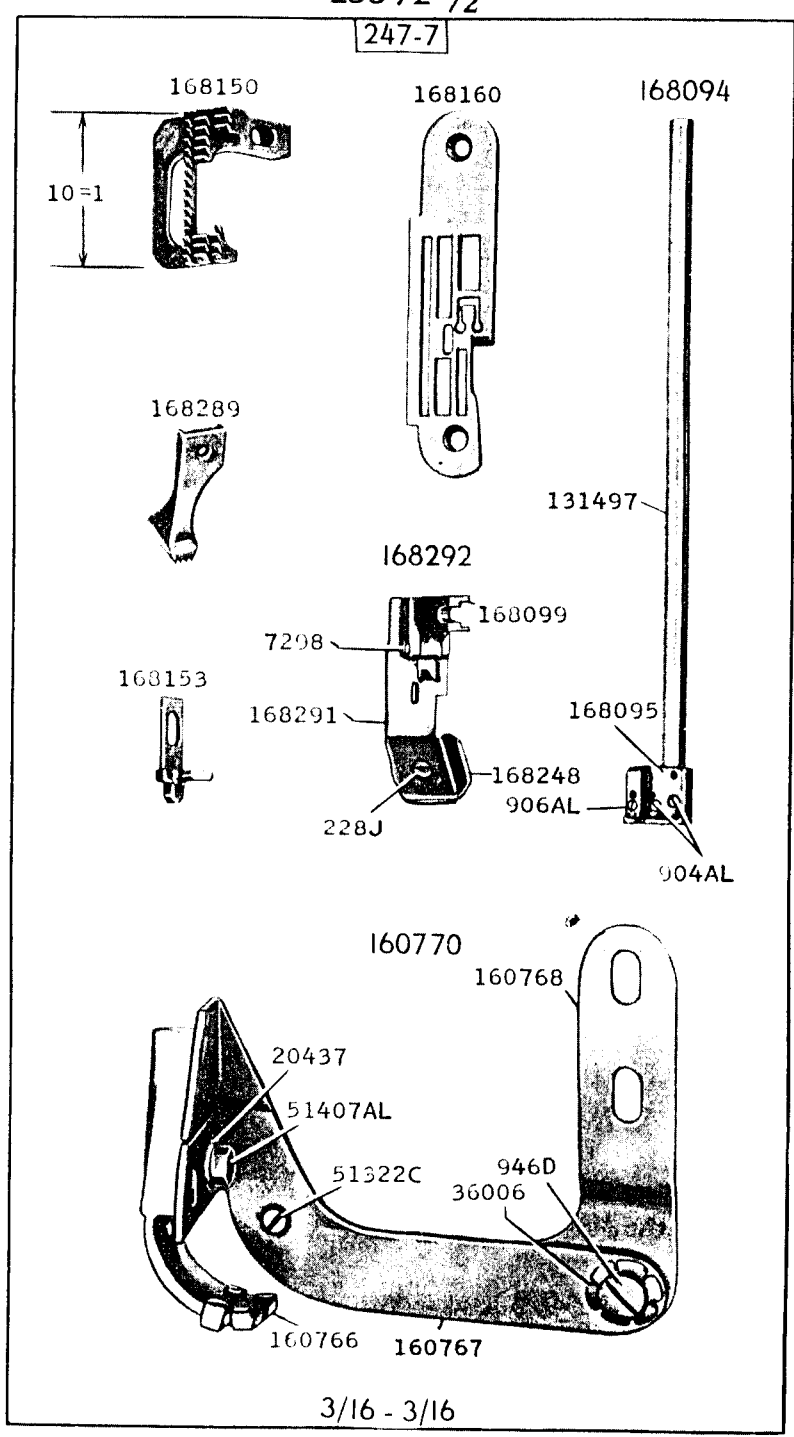
25591-2/3

247-7



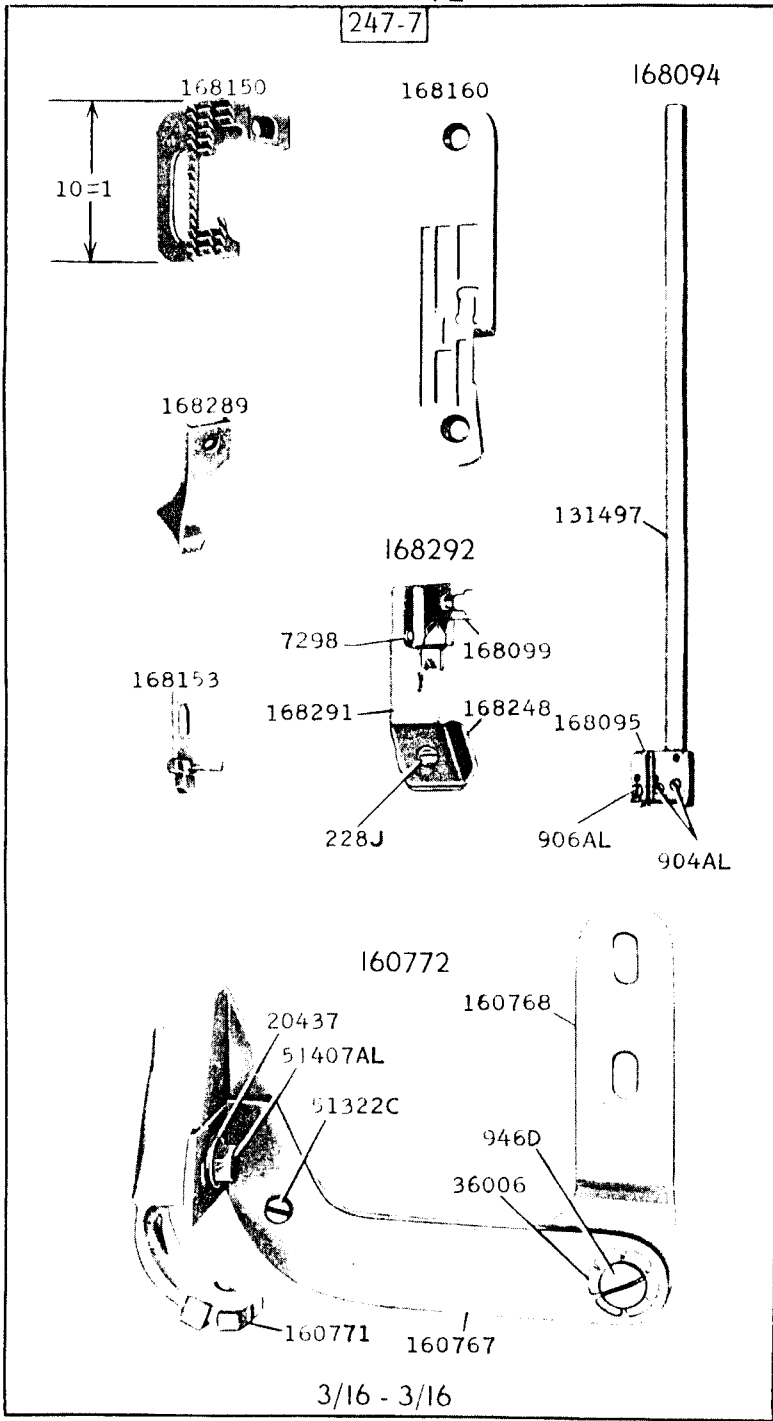
25592-1/2

247-7



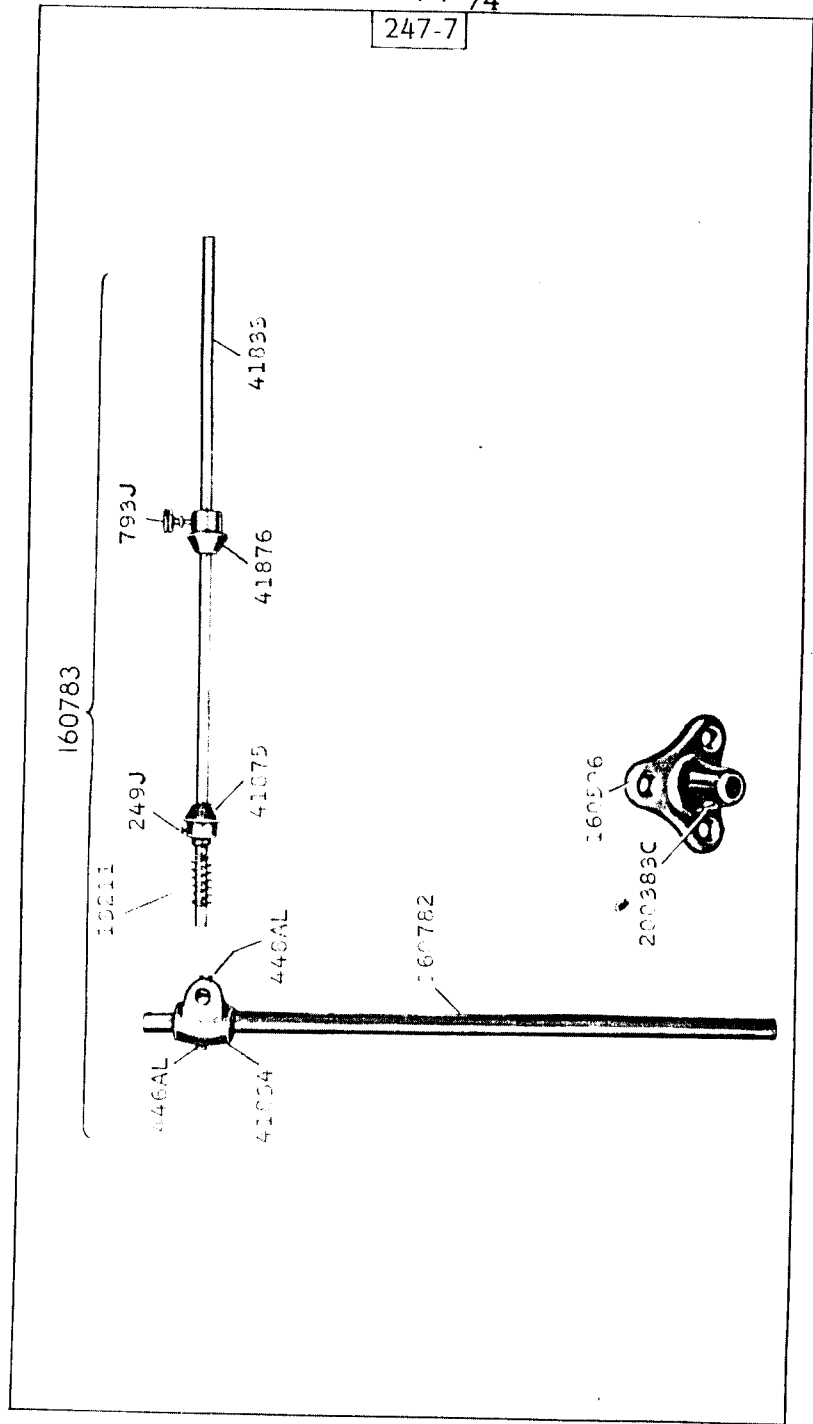
25593-1/2

247-7



25594-1/4

247-7

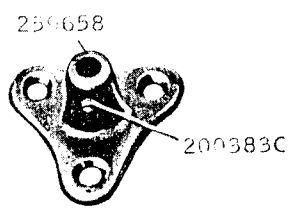
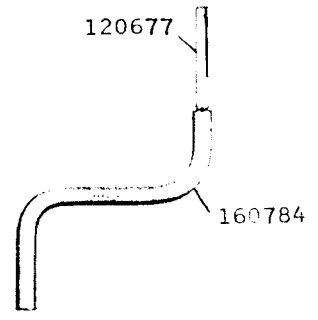
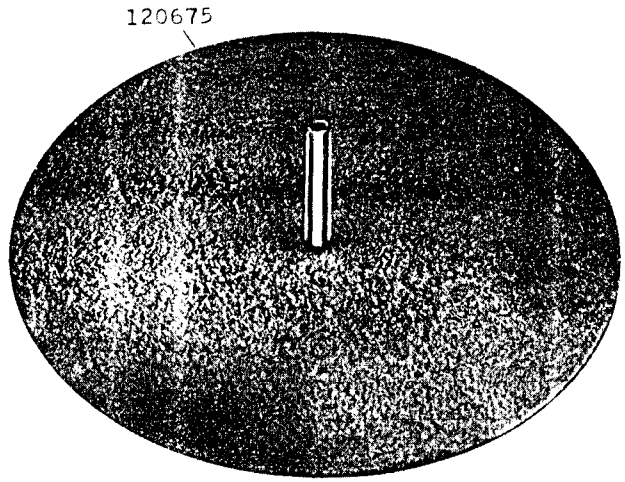




25595-1/3

247-7

160785



25596-1/2

247-7

