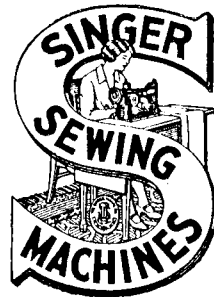


SINGER
109W100

LIST OF PARTS

INDEX



MACHINE No. 109w100

| | PAGE |
|-------------------------------|------|
| ACCESSORIES | 16 |
| BOBBIN WINDER | 16 |
| FEED DOGS | 19 |
| FOLDER | 22 |
| FOOT LIFTER | 19 |
| GUIDE | 22 |
| KNEE LIFTER | 17 |
| MACHINE No. 109w100 | 7 |
| NUMERICAL LIST OF PARTS | 25 |
| OBSOLETE PARTS | 23 |
| PRESSER FEET | 20 |
| THROAT PLATES | 21 |

THE SINGER MANUFACTURING COMPANY

Instructions for Ordering

In ordering from this list, use **ONLY** the **PART** number in the **FIRST** column.

The number stamped on a Sewing Machine Part is the number of the Single Part only, except when the part includes Set Screws, Clamping Screws, Studs and Rollers Spun on, Small Wires riveted, or Parts soldered together, etc., which it is necessary to furnish in combination.

Every combination of parts sent out has its specific number which, although not stamped on Parts (except in above case), must be used when ordering the combination.

Each number always indicates the **SAME PART** in whatever list it appears, or for whatever Machine.

The letters after some of the numbers indicate the style of finish only, as follows:

- A. Hardened, Polished and Plated.
- B. Polished and Plated.
- C. Hardened only.
- D. Polished only.
- E. Soft, not polished.
- F. Hardened and Polished.
- H. Blued.
- J. Nickle Plated only
- R. Merlized.
- Y. Black Nickle Plated only.

These letters **MUST BE USED** when they appear in the list and **AFTER** the number, as in the list.

In this series

- 200001 to 201500 and 350001 to 351500 are Screw Numbers.
- 201501 to 201800 and 351501 to 351800 are Nut Numbers.
- 201801 to 202000 and 350801 to 352000 are Roller Numbers.
- 202001 to 350000 are Numbers of Machine Parts.

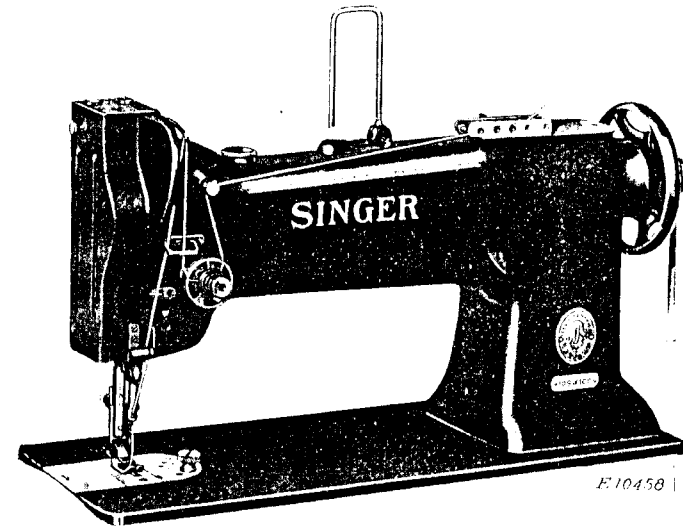
The figures in the second column refer only to the plate in which the illustration of the part is shown and are **NOT TO BE USED** in ordering.

Two or more numbers over a cut indicate that the difference between such parts is not visible in an illustration.

Parts marked with an asterisk (*) are furnished only when repairs are made at the factory.

LIST OF PARTS COMPLETE

FOR



MACHINE No. 109w100

FOR TAILORING

Especially Adapted for Stitching Straight and Bias Pieces Together, Making Them Come Out Even at End of Seam

| No. | Plate | Name |
|---------|-------|--|
| *210925 | - - | Arm |
| 210990 | - - | " Cap and Thread Guide |
| 210982 | 11601 | " " " " " 210990 with 210991 and two 200179n |
| 210991 | 11602 | Arm Cap and Thread Guide Latch Spring |
| 200179n | 11602 | Arm Cap and Thread Guide Latch Spring Screw |
| 200278n | 11602 | Arm Cap Screw |
| 202248 | 11602 | " " " Washer |
| 204235 | 11602 | " Position Pin (2) |
| 200010E | 10245 | " Screw (3) |
| 202005 | 10245 | " " Washer (3) |
| 202633 | 11622 | " Shaft with 200357E and 224392 |

Parts for Machine No. 109w100

| No. | Plate | Name |
|---------|-------|--|
| 202243 | 11601 | Arm Shaft Bushing (back) with 202244 |
| 202244 | — | Arm Shaft Bushing (back) Oil Packing (wick) |
| 200338c | 11602 | Arm Shaft Bushing (back) Set Screw |
| 207080 | 11601 | Arm Shaft Bushing (front) with 202244 |
| 202244 | — | Arm Shaft Bushing (front) Oil Packing (wick) |
| 200502B | 10246 | Arm Shaft Bushing (front) Oil Packing Thumb Screw |
| 200341c | 11602 | Arm Shaft Bushing (front) Set Screw |
| 202634 | 11601 | Arm Shaft Connection Belt |
| 202635 | 11602 | " " " " Pulley with 200327c, 200602e and two 202253 |
| 200602E | 11602 | Arm Shaft Connection Belt Pulley Position Screw |
| 200327c | 11602 | Arm Shaft Connection Belt Pulley Set Screw |
| 202253 | 11602 | Arm Shaft Connection Belt Pulley Spring Flange |
| 224392 | — | Arm Shaft Oil Packing (wick) |
| 200357E | 11602 | " " " " Stop Screw |
| 202632 | 11601 | " Side Plate |
| 200462B | 10245 | " " " Thumb Screw |
| 202255 | 11622 | Balance Wheel (belt groove 2½ in. diam.), with 200328c and 200335c |
| 200328c | 11602 | Balance Wheel Position Screw |
| 200335c | 11602 | " " Set Screw |
| *210926 | — | Bed with 210935 |
| 202258 | 12153 | " Hinge Connection (2) |
| 200570E | 10245 | " " " Screw (4) |
| 210981 | 11601 | " Plate (back) |
| 200577H | 10245 | " " " Screw (2) |
| 207966 | 11604 | " Slide (front) |
| 210530 | 11603 | Bobbin |
| 210912 | 11619 | " Case Base |
| 210729 | — | " " Cap with 200592c, 201016F and 210845 |
| 210915 | 11621 | Bobbin Case Cap complete, Nos. 200964e, 210729, 210736 and 210914 |
| 210913 | 11621 | Bobbin Case Latch |
| 210914 | 11621 | " " " 210913 with 210734 and 210735 |

Parts for Machine No. 109w100

| No. | Plate | Name |
|---------|-------|--|
| 210735 | 11603 | Bobbin Case Latch Fulcrum Pin .. |
| 210734 | 11603 | " " " Lever |
| 210736 | 11603 | " " " Spring |
| 200964E | 11603 | " " " Stop Screw |
| 210930 | 11603 | " " " Opening Lever |
| 210922 | 11603 | " " " " Crank with 201197c, 201542c and 203101 |
| 210932 | 11603 | Bobbin Case Opening Lever Crank Hinge Stud with 210933 |
| 210933 | — | Bobbin Case Opening Lever Crank Hinge Stud Oil Packing (wick).. |
| 200362c | 11621 | Bobbin Case Opening Lever Crank Hinge Stud Set Screw |
| 210934 | 11603 | Bobbin Case Opening Lever Crank Link |
| 210935 | — | Bobbin Case Opening Lever Crank Link Oil Leader (brass) |
| 201197c | 11621 | Bobbin Case Opening Lever Crank Screw Stud (eccentric) |
| 201542c | 11621 | Bobbin Case Opening Lever Crank Screw Stud Nut |
| 203101 | — | Bobbin Case Opening Lever Crank Screw Stud Oil Packing (wick).. |
| 201009c | 11603 | Bobbin Case Opening Lever Screw |
| 210937 | 11603 | " " Stop |
| 210983 | 11603 | " " " Position Pin (2).. |
| 200157B | 10939 | " " " Screw |
| 210845 | 11603 | " " Tension Spring |
| 201016F | 11603 | " " " " Regulating Screw |
| 200592c | 11621 | Bobbin Case Tension Spring Screw |
| 210916 | 11619 | Bobbin Case complete, Nos. 210912 and 210915 |
| 200459B | 10939 | Cloth Guide Thumb Screw |
| 210911 | 11618 | Face Plate |
| 202135 | 11605 | " " Position Pin |
| 200473B | 11605 | " " Thumb Screw |
| 207961 | 11601 | Feed Bar |
| 200641c | 10246 | " " Hinge Screw (driving).. |
| 201522E | 10246 | " " " " Nut |
| 202276 | 11605 | " " Slide Block |
| 202298 | 10245 | " " " " Crank with 200038c |
| 203124 | — | Feed Bar Slide Block Crank 202298 with 200205E, 201518E and 202276 |
| 200038c | 10245 | Feed Bar Slide Block Crank Pinch Screw |

Parts for Machine No. 109w100

| No. | Plate | Name |
|---------|-------|--|
| 200205r | 11605 | Feed Bar Slide Block Hinge Screw |
| 201518r | 10245 | " " " " " " |
| | | Nut |
| 210979 | 11611 | Feed Dog, 46 needle hole, for needle sizes 16 and 18 |
| 200106r | 10245 | Feed Dog Screw (2) |
| 202648 | 11604 | " Driving Connection |
| 203074 | 11605 | " " " Crank with 200038c |
| 200038c | 10245 | Feed Driving Connection Crank Pinch Screw |
| 200545c | 10245 | Feed Driving Connection Hinge Screw |
| 201518r | 10245 | Feed Driving Connection Hinge Screw Nut |
| 202650 | 11605 | Feed Driving Eccentric Fork with 200029c |
| 203050 | --- | Feed Driving Eccentric Fork 202650 with 200833c, 201522r, 202300, 202635, 202648, 202651, two each 201014c and 201525r |
| 200833c | 11605 | Feed Driving Eccentric Fork Hinge Screw |
| 201522r | 10246 | Feed Driving Eccentric Fork Hinge Screw Nut |
| 200029c | 11605 | Feed Driving Eccentric Fork Pinch Screw |
| 202651 | 11605 | Feed Driving Eccentric Fork Slide Block (bronze) |
| 202277 | --- | Feed Driving Eccentric Fork Slide Block Oil Packing (wick) |
| 202300 | 10246 | Feed Driving Eccentric Regulating Bracket |
| 201014c | 11605 | Feed Driving Eccentric Regulating Bracket Hinge Screw |
| 201525r | 10245 | Feed Driving Eccentric Regulating Bracket Hinge Screw Nut |
| 202301 | 10246 | Feed Driving Eccentric Regulating Bracket Plunger |
| 202595 | 10246 | Feed Driving Eccentric Regulating Bracket Plunger Spring |
| 200607c | 10246 | Feed Driving Eccentric Regulating Bracket Plunger Spring Stop Screw |
| 201014c | 11605 | Feed Driving Eccentric Regulating Bracket Stop Screw |
| 201525r | 10245 | Feed Driving Eccentric Regulating Bracket Stop Screw Nut |

Parts for Machine No. 109w100

| No. | Plate | Name |
|---------|-------|---|
| 200429c | 10246 | Feed Driving Eccentric Regulating Screw |
| 200383c | 10246 | Feed Driving Eccentric Regulating Screw Check Screw |
| 202304 | --- | Feed Driving Rock Shaft |
| 207962 | --- | " " " " 202304 with 200641c, 201522r and 207961 |
| 202305 | 10245 | Feed Driving Rock Shaft Center (2) |
| 200043c | 10246 | " " " " " Set Screw (2) |
| 202653 | 11604 | Feed Lifting Connection with 200054r and 202277 |
| 202307 | 10246 | Feed Lifting Connection Eccentric with 200382c and 200437c |
| 200437c | 10246 | Feed Lifting Connection Eccentric Position Screw |
| 200382c | 11603 | Feed Lifting Connection Eccentric Set Screw |
| 200545c | 10245 | Feed Lifting Connection Hinge Screw |
| 201518r | 10245 | Feed Lifting Connection Hinge Screw Nut |
| 202277 | --- | Feed Lifting Connection Oil Packing (wick) |
| 200054r | 10246 | Feed Lifting Connection Pinch Screw |
| 202654 | 11622 | Feed Lifting Rock Shaft |
| 202305 | 10245 | " " " " Center (2) |
| 200043c | 10246 | " " " " " Set Screw (2) |
| 202310 | 11601 | Feed Regulating Spindle with 202311, 202443 and 202619 |
| *202311 | --- | Feed Regulating Spindle Head |
| 202443 | 11605 | " " " " Pin |
| 202619 | 11605 | " " " " Position Pin |
| | | Per 100 |
| *210940 | --- | Hook (sewing) |
| 210945 | 11606 | " 210940 with 200145c, 202064, 203101, 210941, 210942, 210944 and three 200596r |
| 210917 | --- | Hook and Bobbin Case complete, Nos. 210916 and 210945 |

Parts for Machine No. 109w100

| No. | Plate | Name |
|---------|-------|---|
| 210941 | 11606 | Hook Gib |
| 200596F | 11606 | " " Screw |
| 203101 | --- | " Oil Wick |
| *210942 | --- | " Shaft, 13 $\frac{3}{4}$ in. long |
| 202321 | 11606 | " Shaft Bushing (back) |
| 210943 | 11606 | " " " (front) |
| 200346C | 10245 | " " " Set Screw (2) .. |
| 202661 | 11602 | " " Connection Belt Pulley with 202324 and two 200378c |
| 200378C | 11602 | Hook Shaft Connection Belt Pulley Set Screw |
| 202324 | 11602 | Hook Shaft Connection Belt Pulley Spring Flange |
| 202260 | --- | Hook Shaft Oil Packing (wick) (2) |
| 202064 | 11606 | " " Pin |
| 210944 | 11606 | " Washer Needle Guard |
| 200145C | 11606 | " " " " Screw .. |
| 208490 | 11622 | Knee Lifter Connection Lever |
| 202988 | --- | " " " " 208490 with 202447, 202687 and two 200262H |
| 200262H | 11623 | Knee Lifter Connection Lever Hinge Screw |
| 202447 | 11622 | Knee Lifter Connection Lever Lift- ing Rod with 202302 |
| 202302 | 11621 | Knee Lifter Connection Lever Lift- ing Rod Cotter Pin |
| 202687 | 11622 | Knee Lifter Lifting Lever |
| 200262H | 11623 | " " " " Hinge Screw |
| 202976 | 11604 | Needle Bar (hollow) with 200141F |
| 202552 | 11607 | " " Connecting Link |
| 236073 | 11607 | " " " " Oil Guard |
| 200161D | 11607 | Needle Bar Connecting Link Oil Guard Screw |
| 202333 | 11607 | Needle Bar Connecting Link Stud with 202254 |
| 202254 | --- | Needle Bar Connecting Link Stud Oil Packing (wick) |
| 200383C | 10246 | Needle Bar Connecting Link Stud Set Screw |
| 200374C | --- | Needle Bar Connecting Link Stud Set Screw |
| *206891 | --- | Needle Bar Connecting Stud |
| 202329 | 11607 | " " " " 206891 with 200086C and 202330 |

Parts for Machine No. 109w100

| No. | Plate | Name |
|---------|-------|---|
| 202330 | --- | Needle Bar Connecting Stud Oil Packing (wick) |
| 200086C | 11607 | Needle Bar Connecting Stud Pinch Screw |
| 202662 | 11601 | Needle Bar Crank with 200335C, 200374C, 200383C, 200428C and 202333 |
| 210965 | --- | Needle Bar Crank 202662 with 202329, 202398 to 202400 and 202552 |
| 203172 | 11607 | Needle Bar Crank Friction Washer |
| 200428C | 11607 | " " " Position Screw .. |
| 200335C | 11602 | " " " Set Screw |
| 202664 | 11604 | " " Rock Frame |
| 203127 | --- | " " " " 202664 with 202976 |
| 210910 | 11607 | Needle Bar Rock Frame Hinge Stud with 202277 |
| 202277 | --- | Needle Bar Rock Frame Hinge Stud Oil Packing (wick) |
| 200347C | --- | Needle Bar Rock Frame Hinge Stud Set Screw |
| 202666 | 11607 | Needle Bar Rock Frame Position Bracket |
| 200098F | 11607 | Needle Bar Rock Frame Position Bracket Screw |
| 202667 | 11622 | Needle Bar Rock Frame Rock Shaft |
| 210978 | --- | Needle Bar Rock Frame Rock Shaft 202667 with 200387C and 210920 |
| 202668 | 11607 | Needle Bar Rock Frame Slide Block |
| 210920 | 11619 | Needle Bar Rock Frame Slide Block 202668 with 201141C |
| 201141C | 11621 | Needle Bar Rock Frame Slide Block Stud |
| 200387C | 11623 | Needle Bar Rock Frame Slide Block Stud Set Screw |
| 200141F | 11607 | Needle Set Screw |
| 244033 | --- | Presser Bar (hollow) |
| 202335 | 11604 | " " 244033 with 200074F .. |
| 207072 | 11607 | " " Bushing (2) |
| 200396C | 11607 | " " " Set Screw (2) .. |
| 202671 | 11623 | " " Lifter |
| 200653C | 11623 | " " " Hinge Screw .. |
| 207963 | 11623 | " " Lifting Releasing Lever Bracket |

Parts for Machine No. 109w100

| No. | Plate | Name |
|---------|-------|---|
| 200975F | 11623 | Presser Bar Lifting Releasing Lever Bracket Guide Screw |
| 206608 | 11623 | Presser Bar Lifting Releasing Lever Bracket Spring |
| 202337 | 11621 | Presser Bar Position Guide |
| 202338 | 11621 | " " " " Lever with 200086F |
| 200086F | 11607 | Presser Bar Position Guide Lever Pinch Screw |
| 200363C | 11623 | Presser Bar Position Guide Set Screw |
| 207965 | 11622 | Presser Bar Spring (flat) |
| 210949 | 11623 | " " " Bracket with 200086C |
| 200086C | 11607 | Presser Bar Spring Bracket Pinch Screw |
| 200538C | 11623 | Presser Bar Spring Regulating Screw |
| 200948F | 11623 | Presser Bar Spring Support Screw |
| 202090 | 11623 | " Foot Hinge Pin |
| 203013 | --- | " " Plate |
| 215911 | --- | " " Shank |
| 229882 | 11613 | Presser Foot (hinged) complete, Nos. 202090, 203013 and 215911 .. |
| 200074F | 11623 | Presser Foot Screw |
| 226057 | 10939 | Quilter Bracket with 200481B |
| 200118F | 10939 | " " Screw |
| 200481B | 10939 | " Thumb Screw |
| 202068 | 12153 | Spool Holder Base |
| 200575H | 11623 | " " " Screw |
| 204296 | 12153 | " " Wire |
| 200079H | 11623 | " " " Hinge Screw .. |
| 204297 | 12153 | Spool Holder complete, Nos. 200079H, 202068 and 204296 |
| 202398 | 11609 | Take-up Lever |
| 202399 | 11609 | " " Driving Stud with 202277 |
| 202277 | --- | Take-up Lever Driving Stud Oil Packing (wick) |
| 202400 | 11609 | Take-up Lever Hinge Stud with 202423 |
| 202423 | --- | Take-up Lever Hinge Stud Oil Packing (wick) |
| 200383C | 10246 | Take-up Lever Hinge Stud Set Screw |
| 202401 | --- | Take-up Lever Oiling Felt |
| 200132E | 11609 | " " " " Screw .. |

Parts for Machine No. 109w100

| No. | Plate | Name |
|---------|-------|--|
| 244048 | 11610 | Tension Disc (back) |
| 207967 | 11610 | " " (front) |
| 210950 | 11609 | " Release Driving Lever with 200394C and 202676 |
| 202676 | 11609 | Tension Release Driving Lever Pin |
| 202677 | 11609 | " " " " " Slide Bar |
| 210966 | --- | Tension Release Driving Lever Pin Slide Bar 202677 with 200167E and 210952 |
| 202678 | 11609 | Tension Release Driving Lever Pin Slide Bar Spring |
| 200394C | 11609 | Tension Release Driving Lever Set Screw |
| 210951 | 11610 | Tension Release Washer |
| 202407 | 10881 | " Spring |
| 200625F | 11610 | " Stud with 204925 |
| 200061C | 11623 | " " Set Screw |
| 204925 | 11610 | " " Washer |
| 201572B | 10881 | " Thumb Nut |
| 210953 | 11610 | Tension complete, Nos. 200625F, 201572B, 202407, 202682, 207967, 210951 and 244048 |
| 202682 | 11610 | Thread Controller Spring |
| 210952 | 11610 | " " " Stop |
| 200167E | 11610 | " " " " Screw |
| 210954 | 11610 | " Guide (lower) |
| 210955 | 11610 | " " (upper) |
| 200582H | 11610 | " " Screw (3) |
| 210956 | 11610 | " Retainer Bracket with 200397H |
| 200582H | 11610 | " " " Screw (2) .. |
| 210960 | 11610 | " " Disc |
| 210961 | 11610 | " " Plunger |
| 210962 | 11610 | " " " Spring |
| 210993 | 11610 | " " Sleeve |
| 210963 | 11610 | " " Socket |
| 200389C | 11610 | " " " Set Screw |
| 223844 | 11621 | " " Spring |
| 210957 | 11610 | " " Stud |
| 210958 | 11610 | " " " Collar |
| 200397H | 11610 | " " " Set Screw |
| 210959 | 11610 | Thread Retainer (lower) complete, Nos. 210956 to 210958, 210993 and 223844 |
| 210980 | 11611 | Throat Plate |
| 200577H | 10245 | " " Screw (2) |

ACCESSORIES

| No. | Plate | Name |
|---------|-------|--|
| 200157B | 10939 | Attachment Screw |
| 210530 | 11603 | Bobbin (5) |
| *225482 | --- | " Case Screw Driver Blade ... |
| *225483 | --- | " " " " Handle ... |
| 225497 | 12153 | Bobbin Case Screw Driver complete, Nos. 225482 and 225483 ... |
| 231337 | 10939 | Cloth Guide |
| 135 x 5 | --- | Needles, three each, sizes 16 and 18 |
| 226056 | 10939 | Quilter |
| 228213 | --- | Drip Pan (long) with four 1 in. wire nails |
| 41400 | 12153 | Machine Rest Pin (wood) |
| 120342 | 12153 | Oiler with 120343 |
| 120343 | 12153 | " Spout, 3½ in. long |
| *225484 | --- | Screw Driver Blade |
| *225485 | --- | " " Handle |
| 225498 | 12153 | Screw Driver complete (7¼ in. long), Nos. 225484 and 225485 .. |
| 225554 | 12153 | Wrench (steel) |
| | | Wood Screws, 1 in., No. 13, R.H. (2) |

BOBBIN WINDER

Swing Automatic, Right Hand

| | | |
|---------|-------|-----------------------------------|
| 225453 | 10884 | Frame with 202277 and 225438 |
| 225454 | 10884 | " Hinge Pin |
| 202277 | --- | " Oil Packing (wick) |
| 225438 | 10884 | " " Well Cap |
| 225455 | 10884 | " Spring |
| 225456 | 10884 | " " Plunger |
| 202473 | 10885 | Pulley with 200380c |
| 200380c | 11623 | " Set Screw |
| 225381 | 10884 | Spindle |
| 225444 | 10884 | Stop Latch |
| 200056c | 10884 | " " Screw |
| 225458 | 10884 | " " Thumb Lever |
| 225459 | 10884 | " " " " Hinge Stud |
| 225459 | 10884 | " " " " Joint Stud |
| 202478 | 10884 | " " Trip Lever |
| 200299H | 10884 | " " " " Hinge Screw |

Accessories

| No. | Plate | Name |
|---------|-------|--|
| 225461 | 10881 | Tension Bracket with 201499B |
| 200082D | 10881 | " " Screw |
| 228026 | 10884 | " " " Washer |
| 2102 | 10881 | " Disc |
| 202407 | 10881 | " Spring |
| 201499B | 10881 | " Stud |
| 201572B | 10881 | " " Thumb Nut |
| 225462 | 10881 | Bobbin Winder Tension Bracket complete, Nos. 201572B, 202407, 225461 and two 2102 |
| 225433 | 10885 | Bobbin Winder and Tension Bracket Base |
| 225382 | 10885 | Universal Bobbin Winder complete, Nos. 200056c, 200082D, 200299H, 202473, 202478, 225381, 225433, 225444, 225453 to 225456, 225458, 225462, 228026, two each 225459 and wood screws ¾ in., No. 12, R.H.B. |

KNEE LIFTER

| | | |
|--------|-------|---|
| 2763 | 13395 | Rock Shaft |
| 228278 | 13395 | " " Hanger (back) with 356c |
| 228279 | --- | " " " 228278 with 202452 and 228282 |
| 228280 | 13395 | Rock Shaft Hanger (front) with two 356c |
| 228281 | --- | Rock Shaft Hanger 228280 with 202452 and 228282 |
| 228282 | 13395 | Rock Shaft Hanger Bracket with two wood screws ¾ in., No. 12 .. |
| 202452 | 10939 | Rock Shaft Hanger Hinge Pin |
| 202455 | 13395 | " " Knee Arm |
| 356c | 11623 | " " " " Set Screw .. |
| 228284 | 13395 | " " " Plate with 356c .. |
| 356c | 11623 | " " " " Set Screw .. |
| 228283 | 13395 | " " Lifting Lever with two 356c |
| 227728 | 13395 | Rock Shaft Lifting Lever Rod with 227729 |
| 227729 | --- | Rock Shaft Lifting Lever Rod Cap |
| 356c | 11623 | " " " " " " Set Screw |
| 356c | 11623 | Rock Shaft Lifting Lever Set Screw |
| 356c | 11623 | " " Set Screw |

Accessories

| No. | Plate | Name |
|--------|-------|---|
| 228285 | 13395 | Knee Lifter Rock Shaft complete, Nos. 2763, 202455, 227728, 228279, 228281, 228283 and 228284 |

(Other Knee Lifter Parts are listed with parts of machine head.)

FEED DOGS

| No. | Plate | Name |
|--------|-------|--|
| 210901 | 11611 | Feed Dog, 50 needle hole, for needle sizes 14 and 15, for close gauge work, for 210985 |
| 210908 | 11617 | Feed Dog, 46 needle hole, for needle sizes 16 and 18, for 210907 and 210909 |
| 210939 | 11611 | Feed Dog, 46 needle hole, for needle sizes 16 and 18, for close gauge work, for 210985 |
| 210902 | 11611 | Feed Dog, 46 needle hole, for needle sizes 16 and 18, for binding up to $\frac{1}{2}$ in., for 210984 |
| 210986 | 11612 | Feed Dog, 46 needle hole, for needle sizes 16 and 18, for binding $\frac{1}{2}$ in. or wider, for 210987 |
| 210903 | 11611 | Feed Dog, 50 needle hole, for needle sizes 14 and 15, for shirts, etc., for 210905 |
| 210904 | 11611 | Feed Dog, 46 needle hole, for needle sizes 16 and 18, for overalls and tailoring, for 210905 |
| 210979 | 11611 | Feed Dog, 46 needle hole, for needle sizes 16 and 18, for tailoring, for 210980 |

FOOT LIFTER

Parts for Changing Machine from Knee
Lifter to Foot Lifter

| | | |
|---------|-------|----------------------------------|
| 210923 | 11618 | Foot Lifter Lifting Lever |
| 223733 | 11621 | " " " Lever Extension |
| 200082b | 10881 | " " " " " |
| | | Screw (2) |
| 227561 | 11621 | Foot Lifter Lifting Lever Spring |
| 201355c | 11621 | " " " " " |
| | | Stop Screw |

PRESSER FEET

| No. | Plate | Name |
|---------|-------|--|
| 202090 | 11623 | Presser Foot Hinge Pin |
| 206998 | 11613 | " " Holder with 200543u. |
| 200543u | 11613 | " " " Screw |
| 203013 | ----- | " " Plate |
| 210988 | ----- | " " " |
| *202943 | ----- | " " " |
| 215911 | ----- | " " Shank |
| *202942 | ----- | " " " |
| 202944 | 11613 | Presser Foot (hinged) complete, Nos. 202090, 202942 and 202943 .. |
| 210989 | 11613 | Presser Foot (hinged) complete, Nos. 202090, 210988 and 215911 .. |
| 229882 | 11613 | Presser Foot (hinged) complete, Nos. 202090, 203013 and 215911 .. |

THROAT PLATES

| No. | Plate | Name |
|--------|-------|-------------------------------------|
| 210905 | 11611 | Throat Plate, for 210903 and 210904 |
| 210909 | 11617 | " " " 210907 and 210908 |
| 210980 | 11611 | " " " 210979 |
| 210984 | 11611 | " " " 210902 |
| 210985 | 11611 | " " " 210901 and 210939 |
| 210987 | 11612 | " " " 210986 |

GUIDE

(ADJUSTABLE, HINGED)

For Tailoring Work and Close Edge Stitching on
Coats, Vests, Overcoats, etc.

| No. | Plate | Name |
|--------|-------|--|
| 28971 | 11617 | Guide |
| 28972 | 11617 | " Holder |
| 35610 | 11621 | " " Friction Washer |
| 940b | 11623 | " " Hinge Screw |
| 210906 | 11617 | " " Shank |
| 286b | 11623 | " Thumb Screw |
| 7071 | 11623 | " " Washer |
| 210907 | 11617 | Guide (adjustable, hinged) complete, Nos. 286b, 940b, 7071, 28971, 28972, 35610 and 210906 |
| 210908 | 11617 | Feed Dog, 46 needle hole, for needle sizes 16 and 18 |
| 210989 | 11613 | Presser Foot (hinged) complete, Nos. 202090, 210988 and 215911 .. |
| 210909 | 11617 | Throat Plate |

FOLDER

For Fly Work on Overalls and Work Pants

| | | |
|--------|-------|------------------------------------|
| 210918 | 11620 | Double Edge Folder on Shank |
| 210919 | 11619 | Presser Foot, 50 needle hole |
| 210921 | 11620 | Double Edge Folder on Shank |
| 286b | 11623 | " " " Thumb Screw |
| 35610 | 11621 | " " " " " Washer |

OBSOLETE PARTS

| No. | Plate | Name |
|---------|-------|--|
| 210929 | 11603 | Bobbin Case Base |
| 210730 | 11603 | Bobbin Case Cap complete, Nos. 200964E, 210729, 210736 and 210778 |
| 210733 | 11603 | Bobbin Case Latch |
| 210778 | ----- | " " " 210733 with 210734 and 210735 |
| 202646 | 11604 | Face Plate |
| 200533B | 11605 | " " Thumb Screw |

PLATE 10245—FULL SIZE

200010



200545



200462



200570



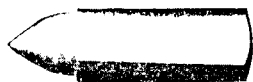
200577



202135



202305



202276



200205



200038



200139



200196



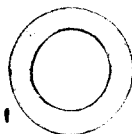
201518



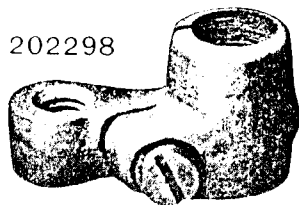
201014



202005



202298



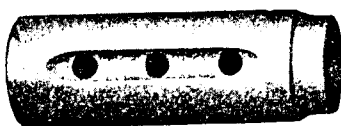
201525



202321



202322

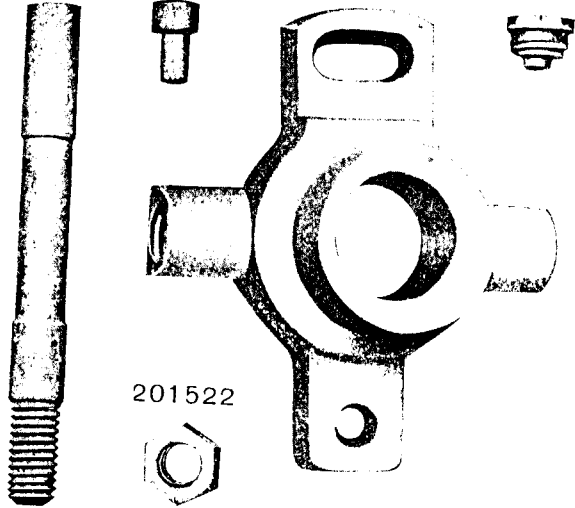


200346



PLATE 10246—FULL SIZE

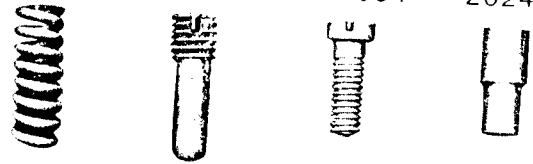
200641 202301 202300 200607



201522



202595 200429 200054 202446



200043 200437 200383



202307

200502

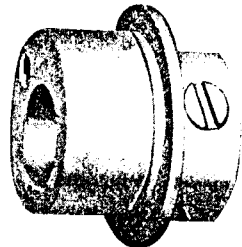
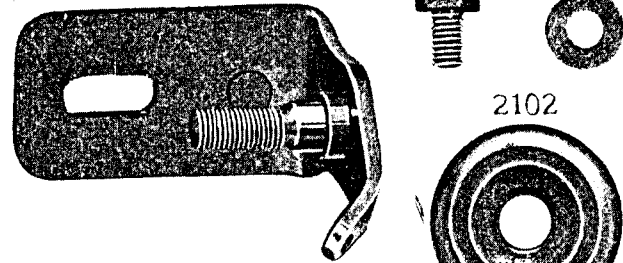
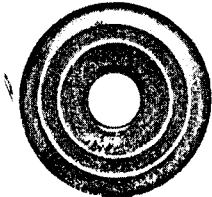


PLATE 10881—FULL SIZE

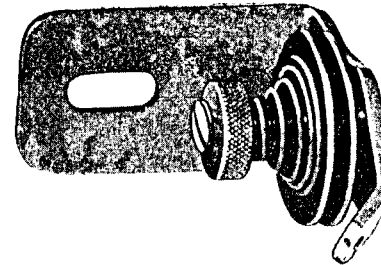
225461 200082 202104



2102



225462



202407



201499



201572



PLATE 10884—FULL SIZE

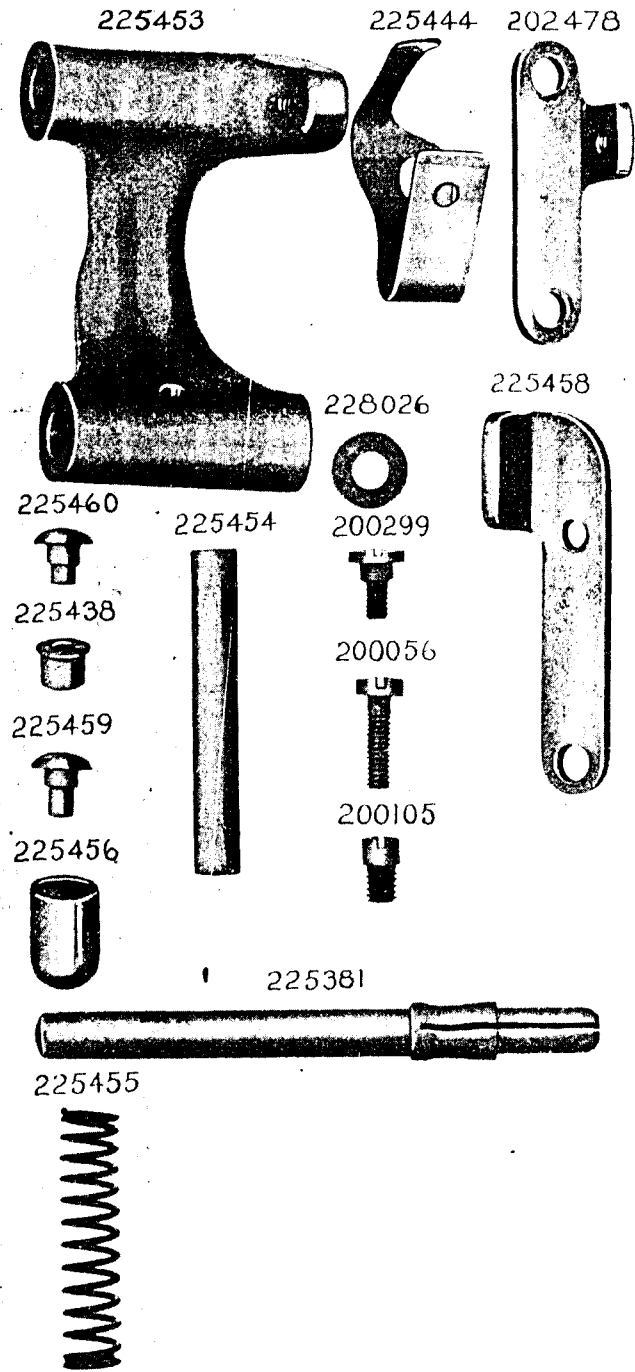


PLATE 10885—ONE-FOURTH SIZE

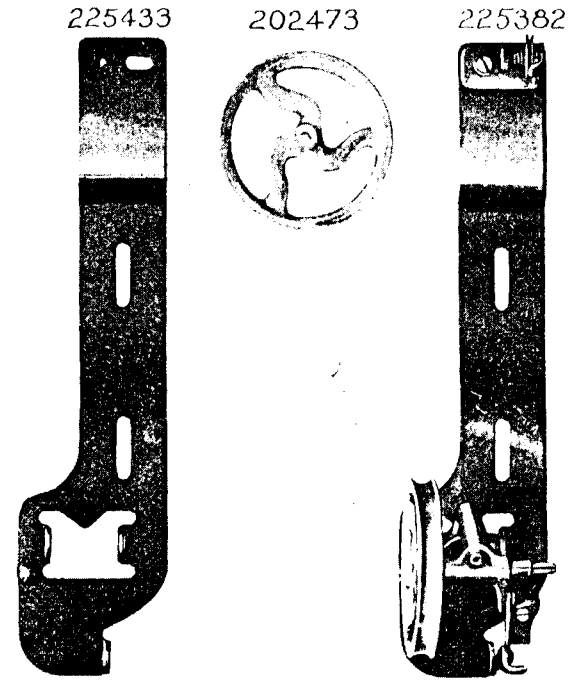


PLATE 10939—FULL SIZE

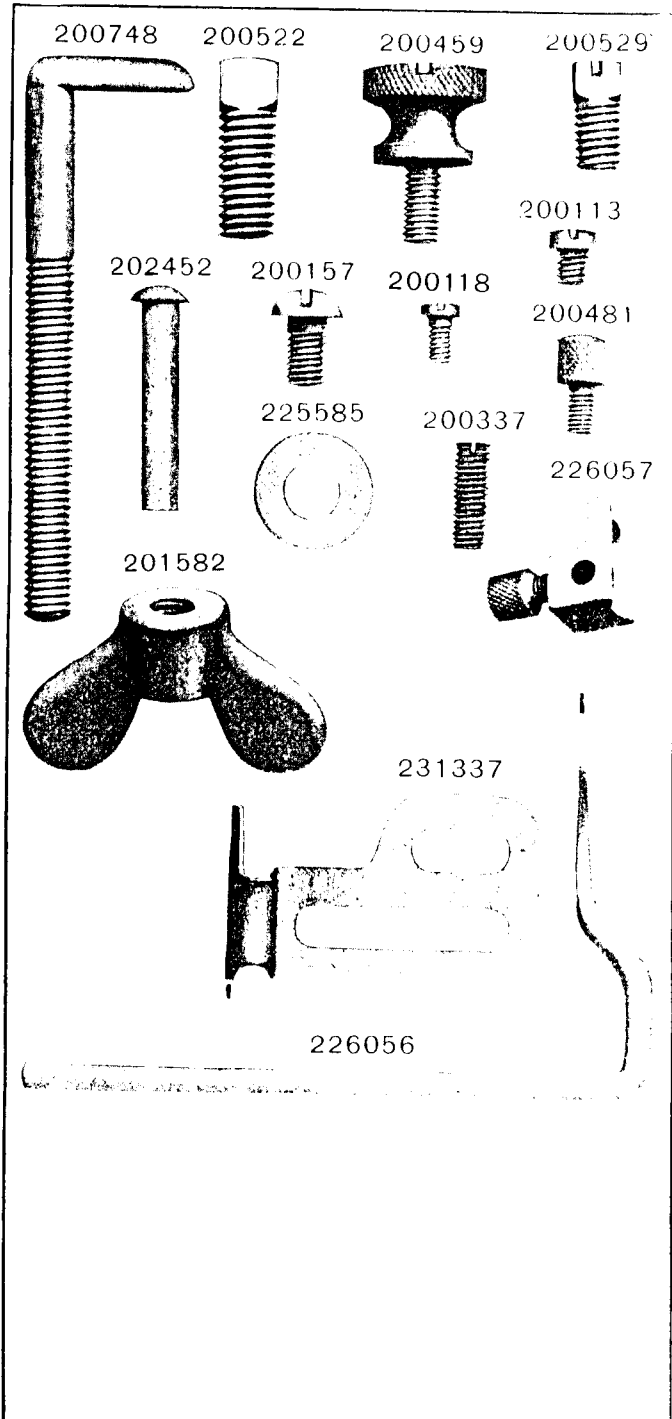


PLATE 11601—ONE-HALF SIZE

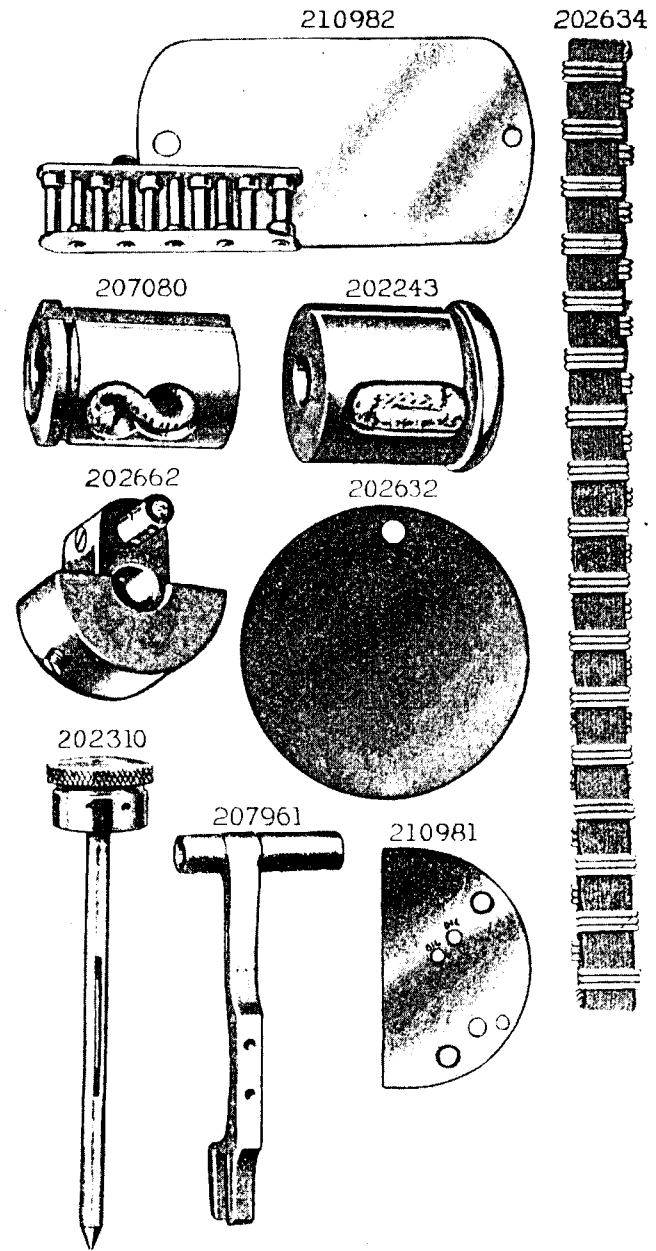


PLATE 11602 - FULL SIZE

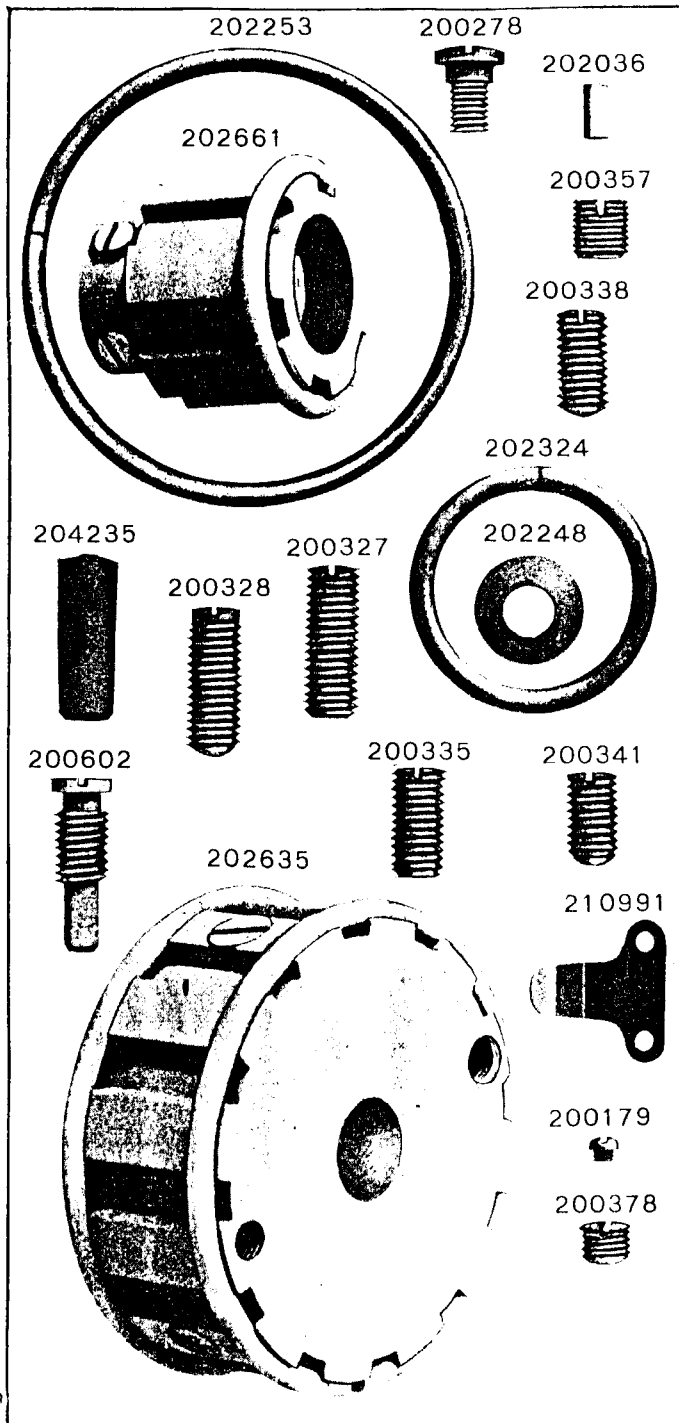


PLATE 11603 - FULL SIZE

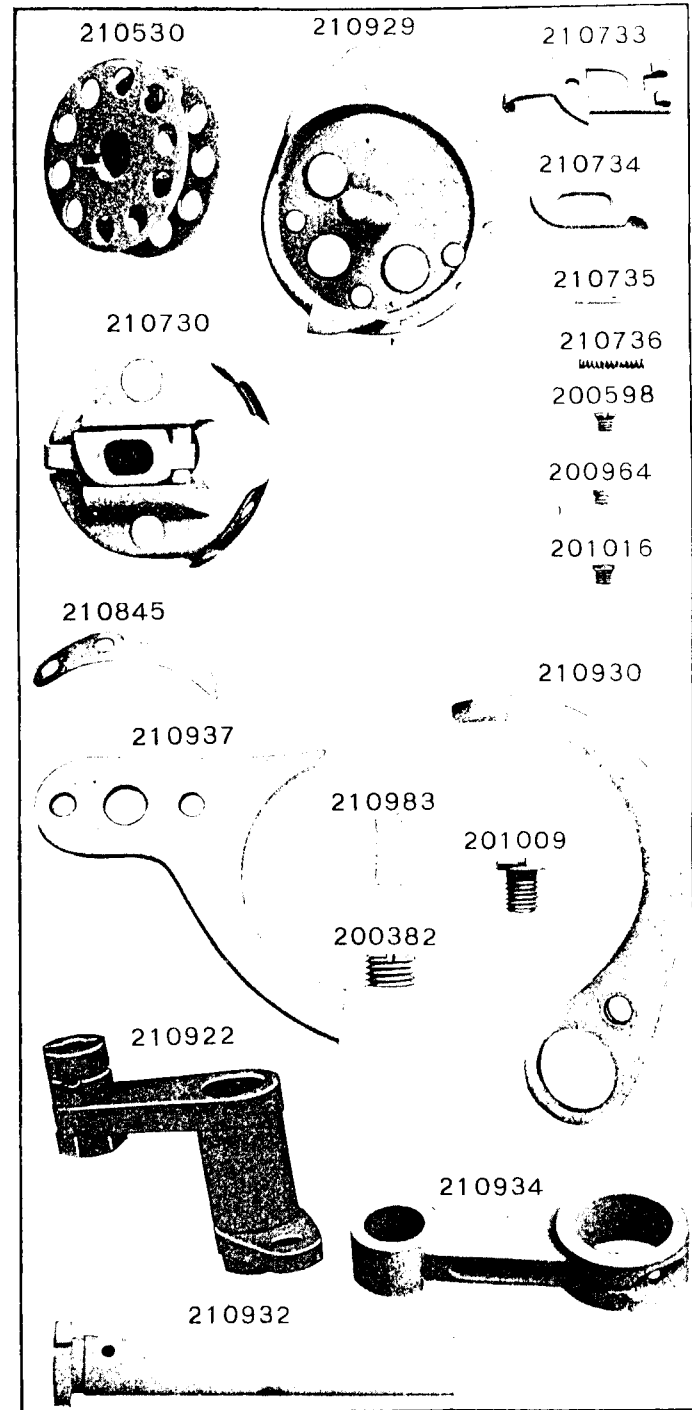


PLATE 11604 - ONE-HALF SIZE

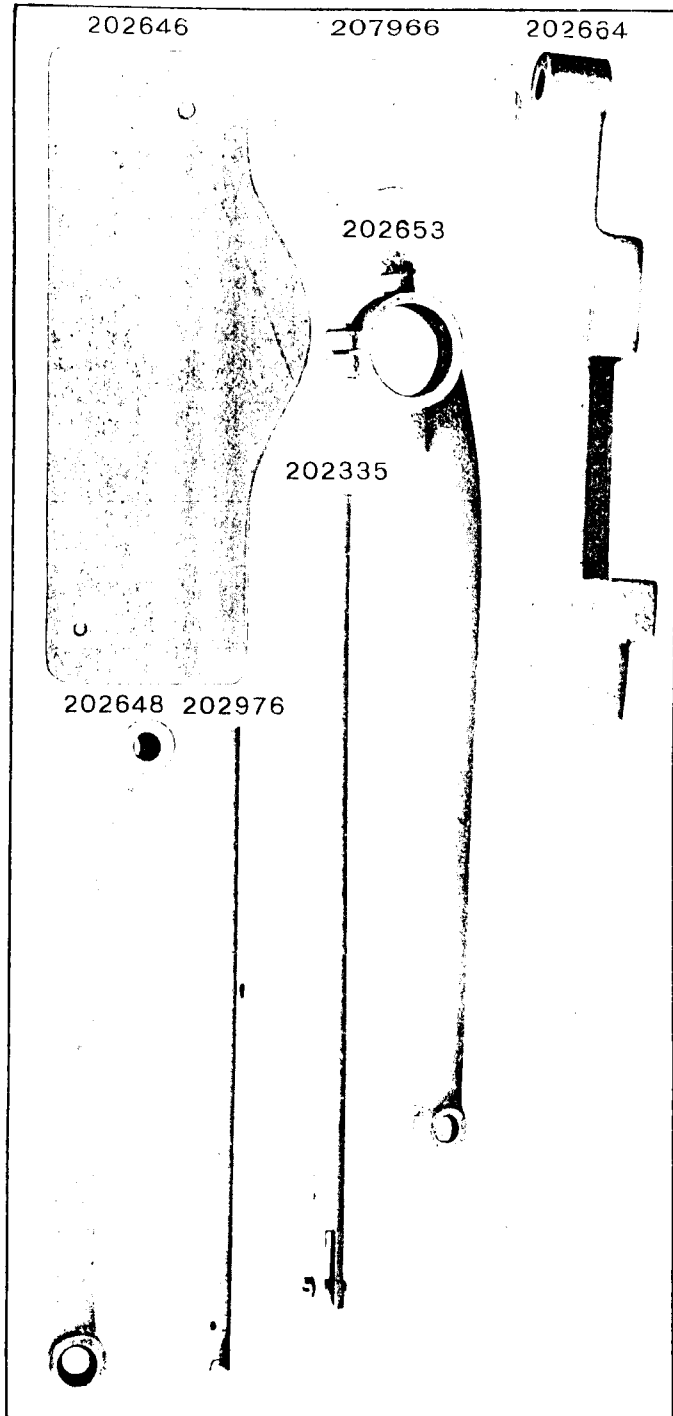


PLATE 11605 - FULL SIZE

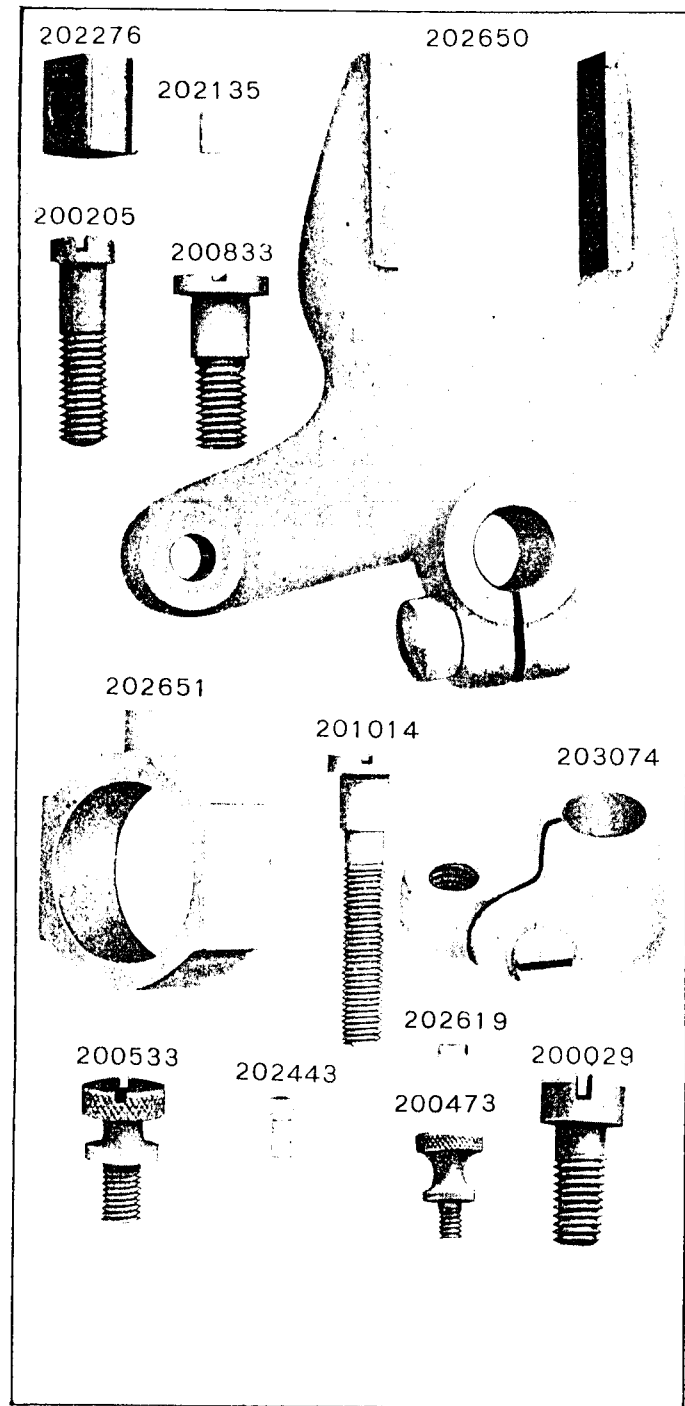


PLATE 11606 - FULL SIZE

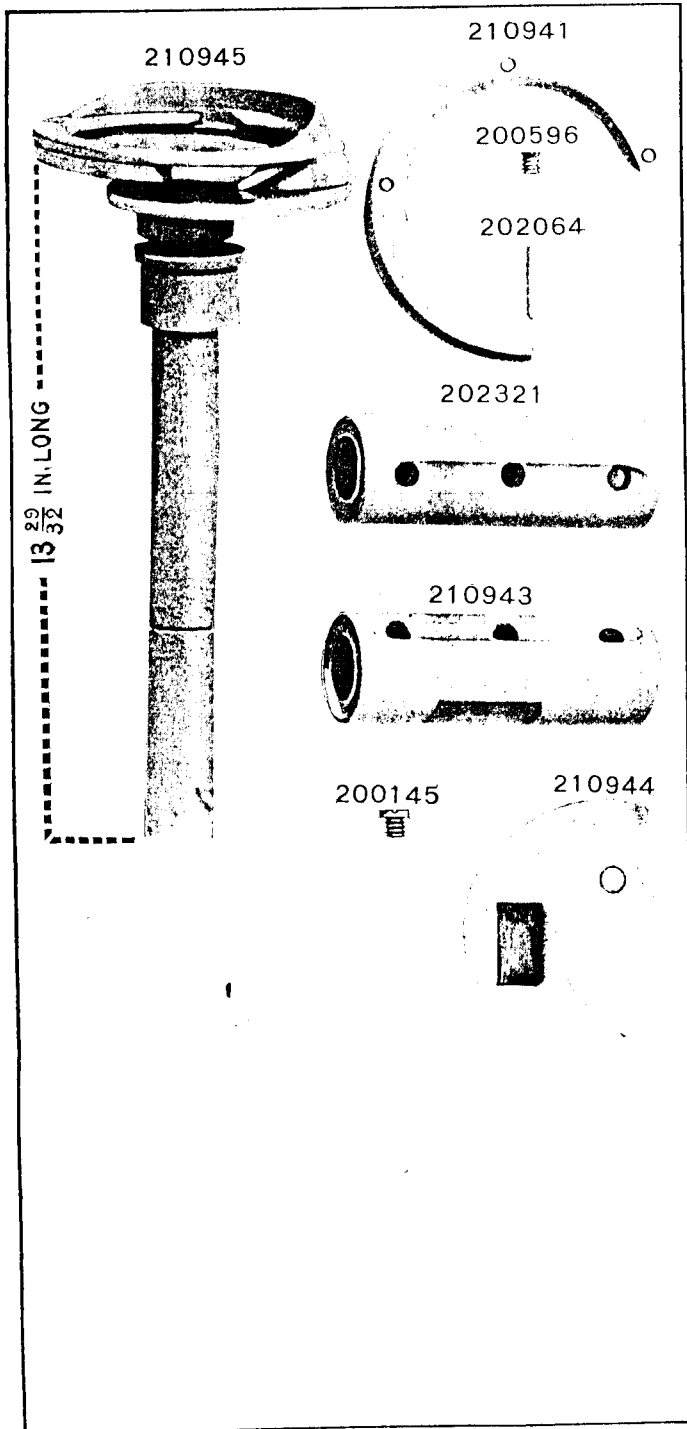


PLATE 11607 - FULL SIZE

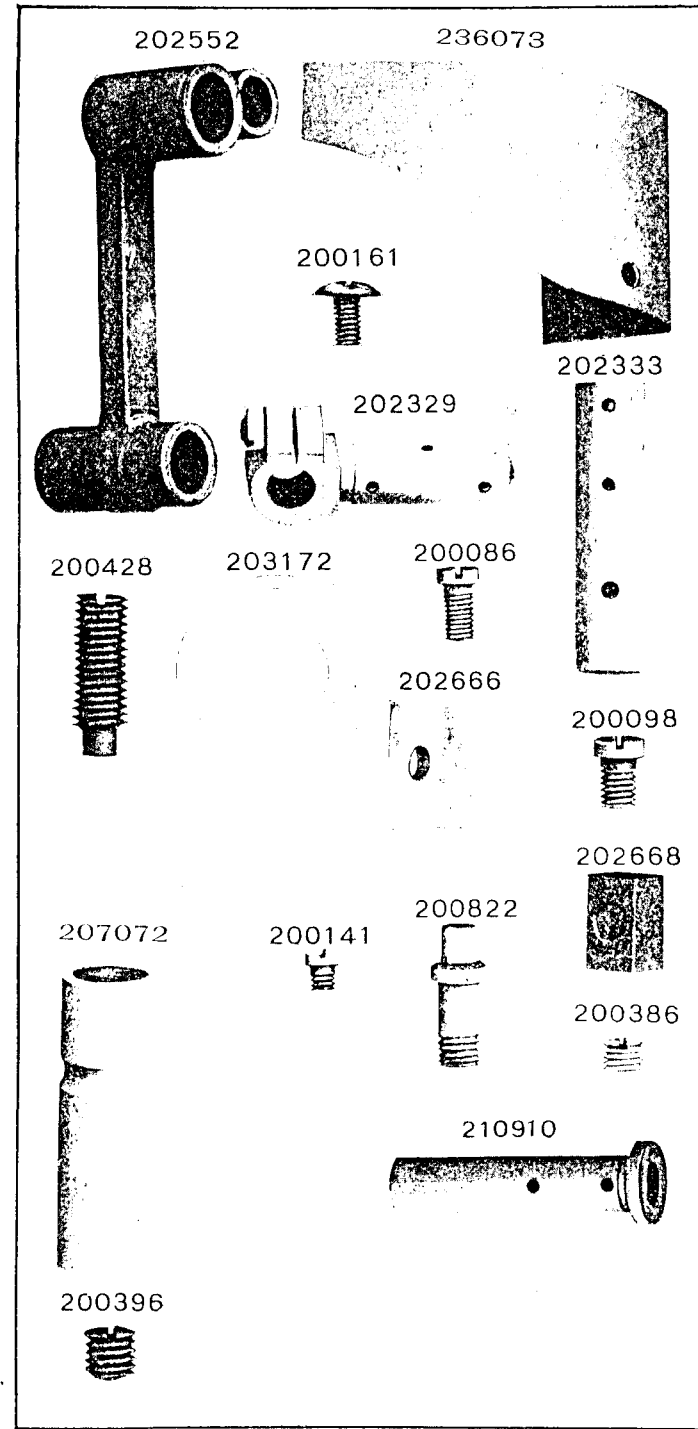


PLATE 11609 - FULL SIZE

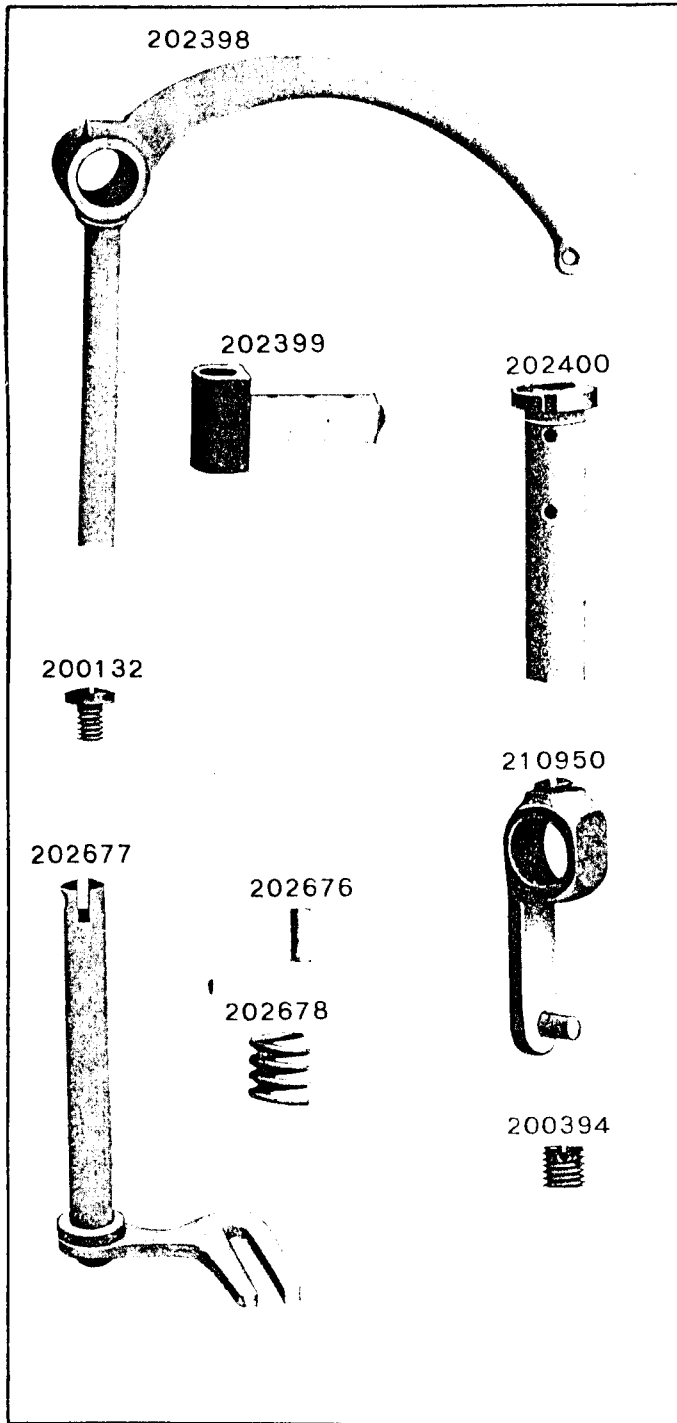


PLATE 11610 - FULL SIZE

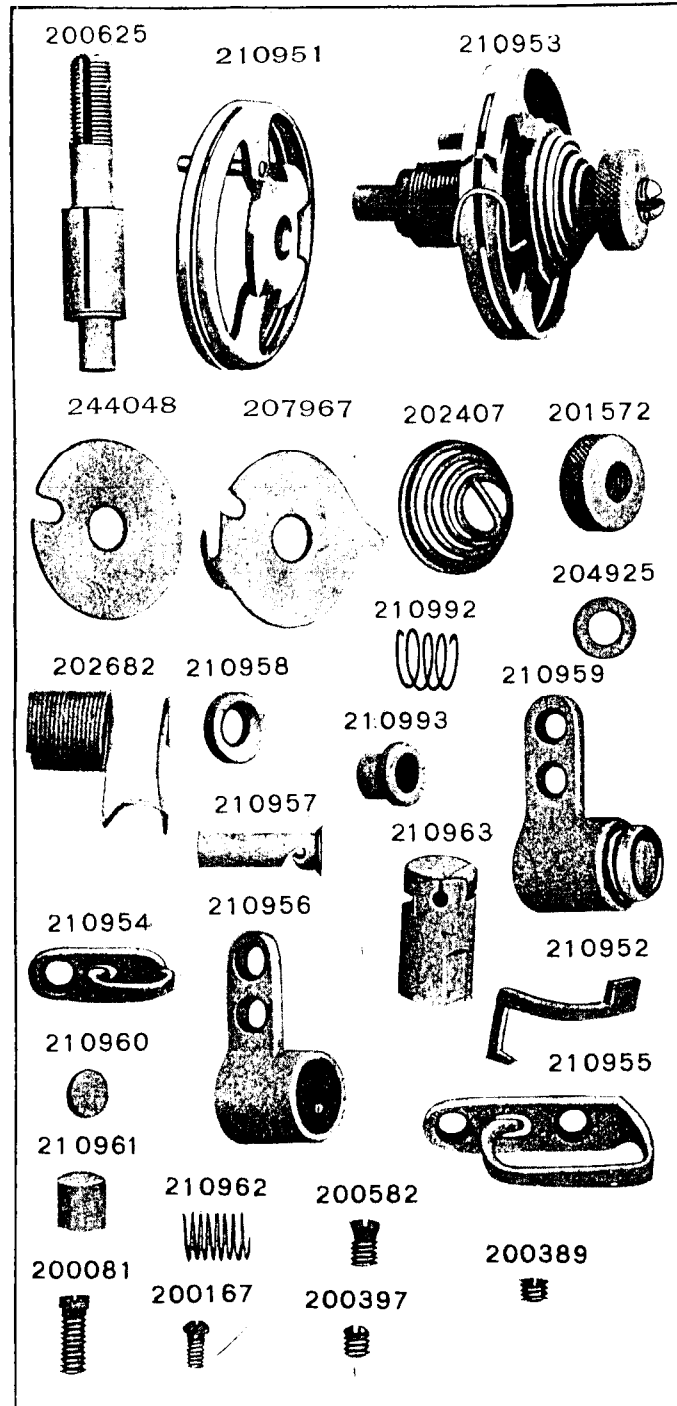


PLATE 11611—FULL SIZE

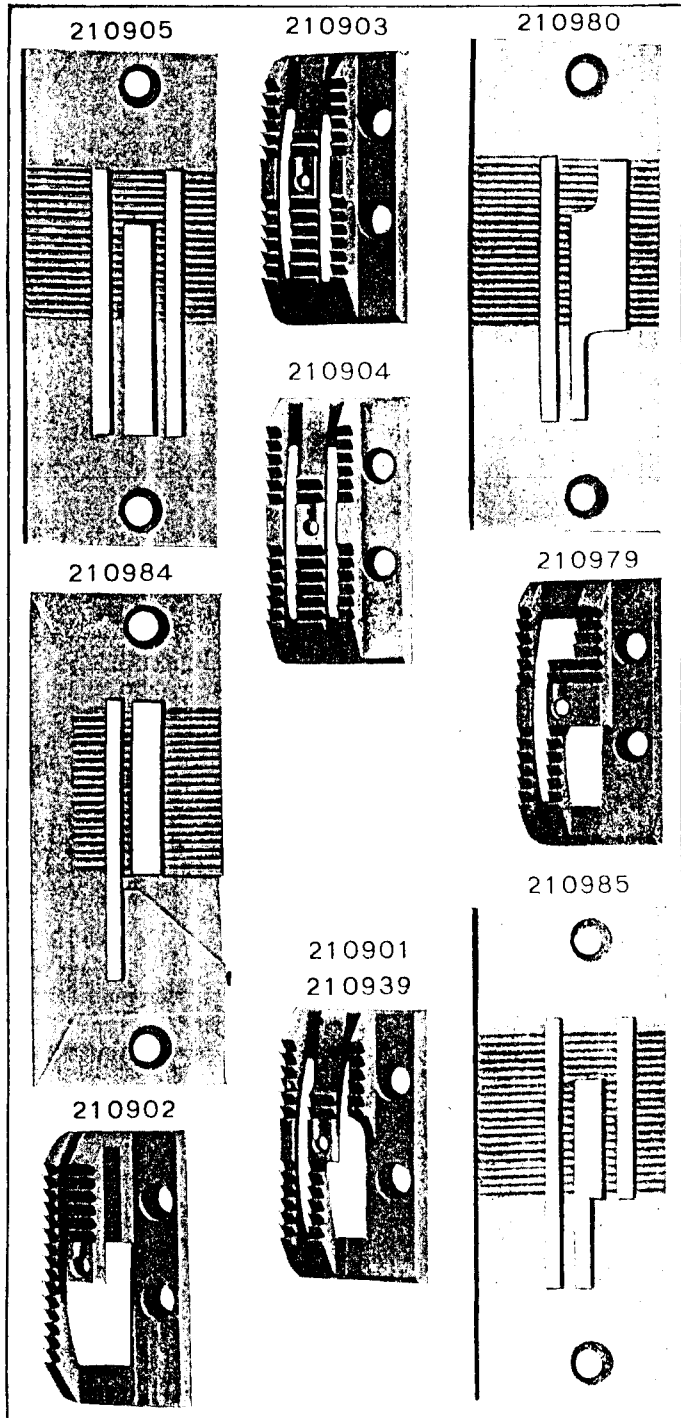


PLATE 11612—FULL SIZE

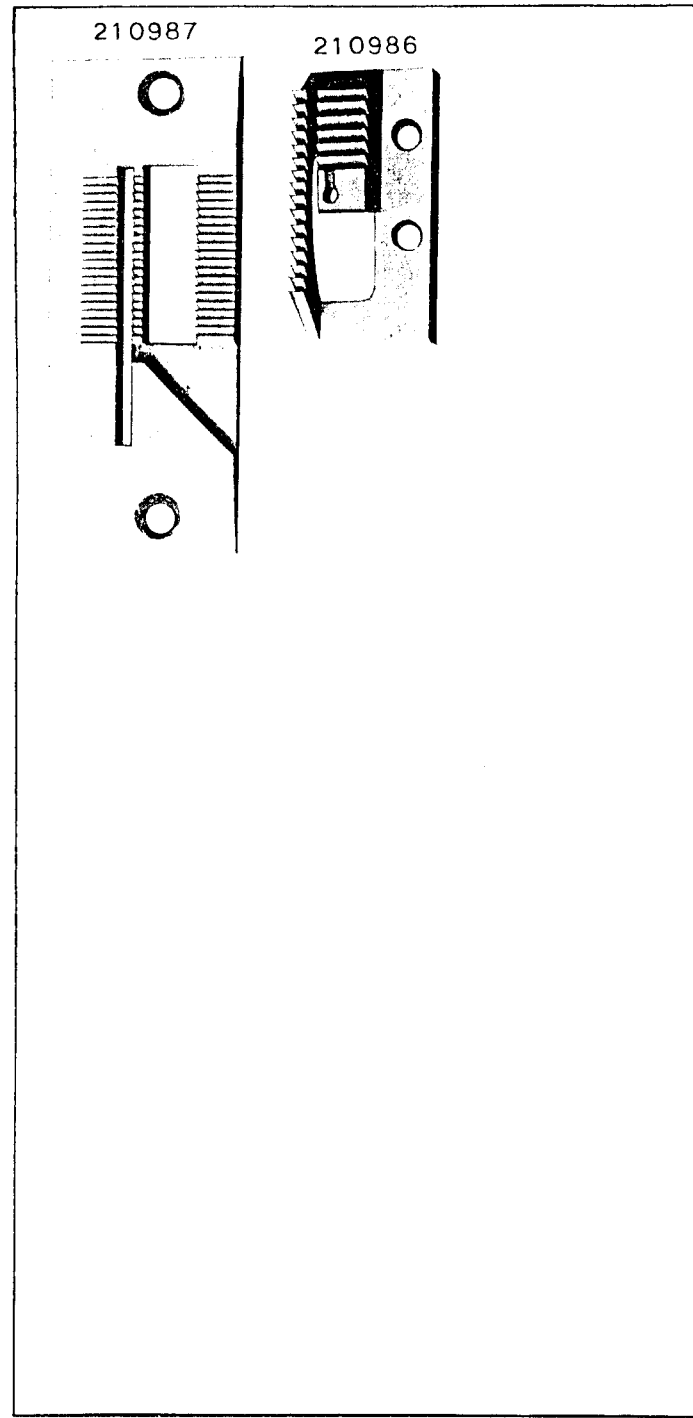
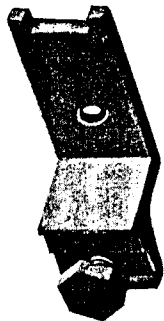


PLATE 11613--FULL SIZE

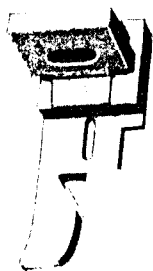
206998



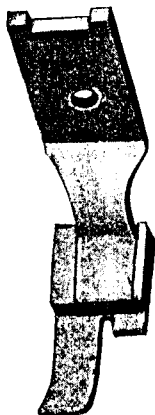
200543



202944



210989

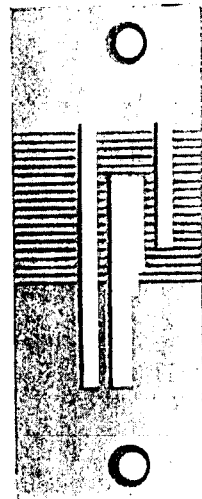


229882

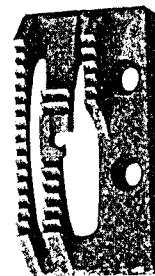


PLATE 11617 FULL SIZE

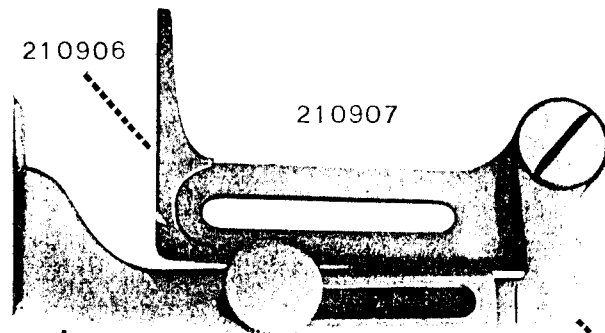
210909



210908



210906



210907

28971

28972

PLATE 11618—ONE-HALF SIZE

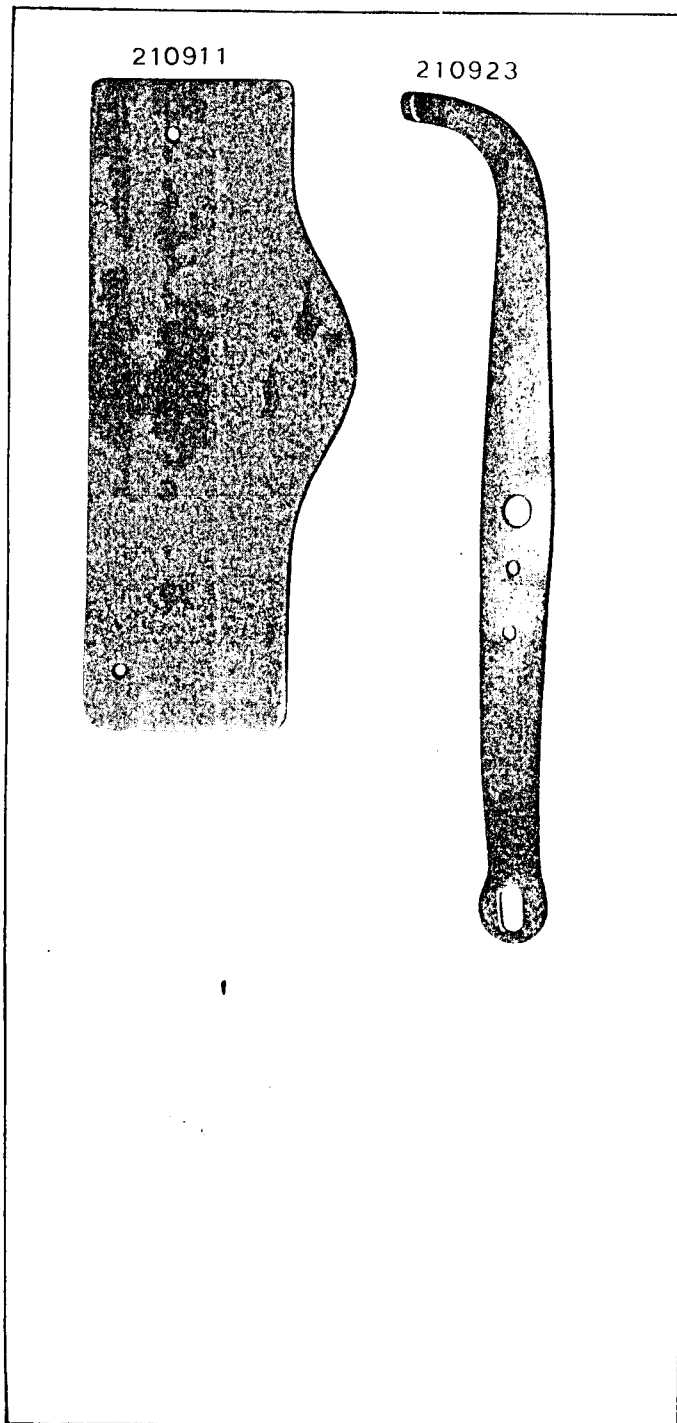


PLATE 11619—FULL SIZE

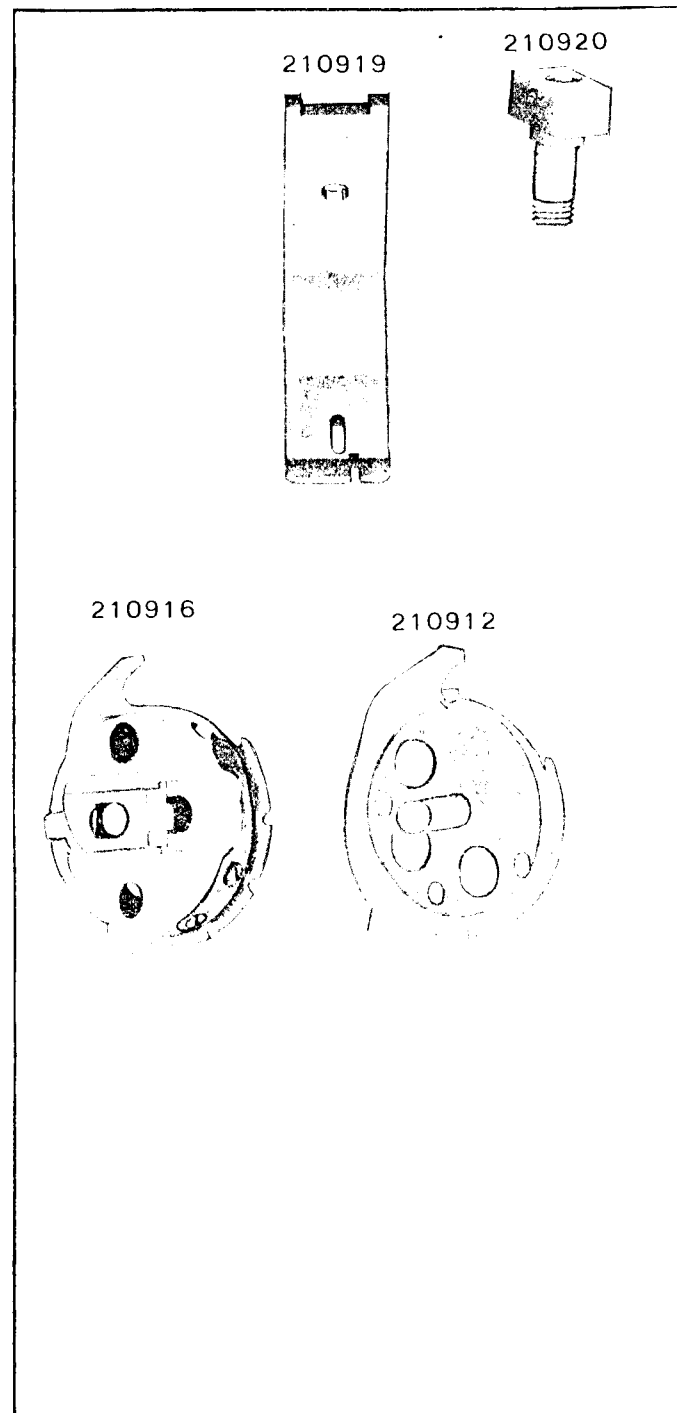


PLATE 11620-ONE-HALF SIZE

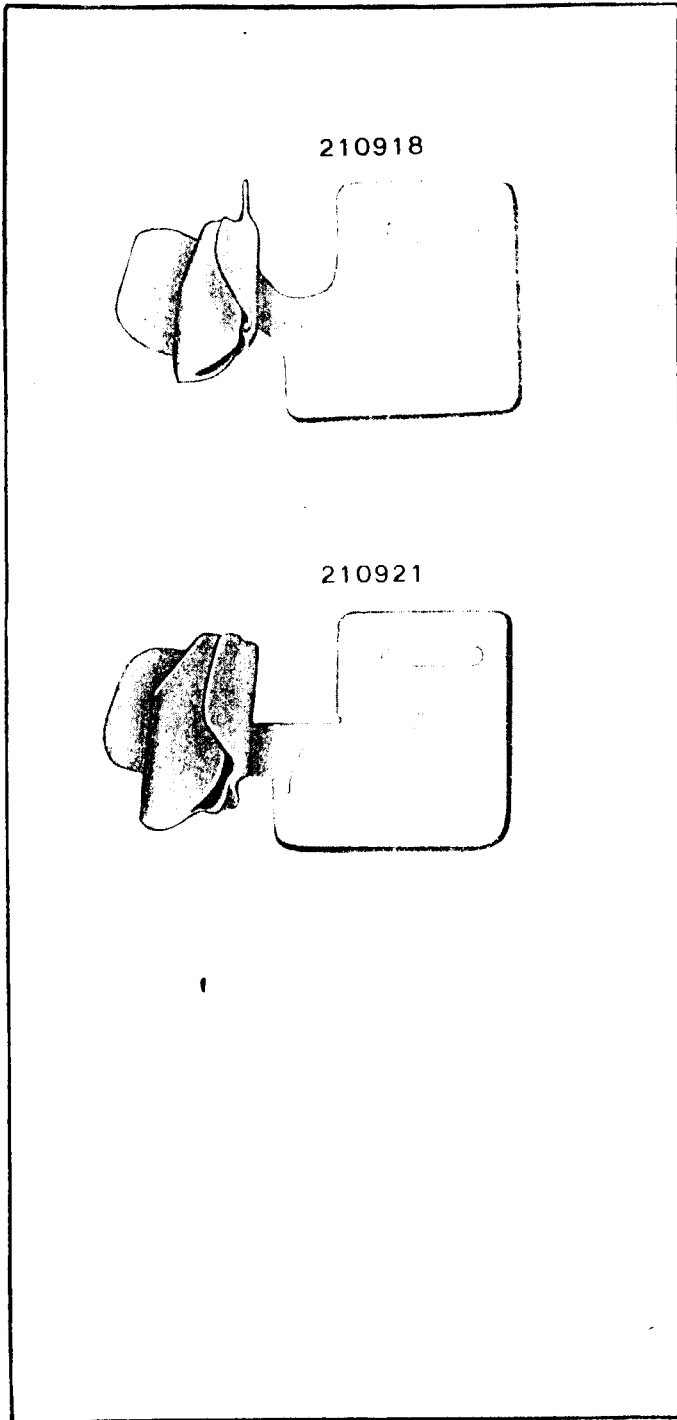


PLATE 11621-FULL SIZE

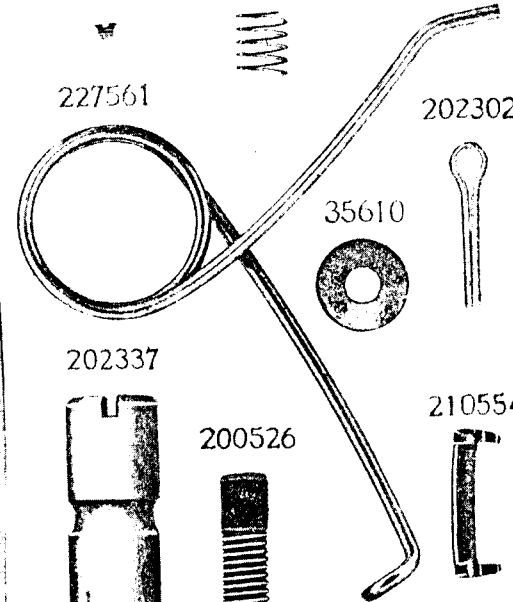
223733

200592

223844



227561



202302

35610



202337



200526



210554



202338

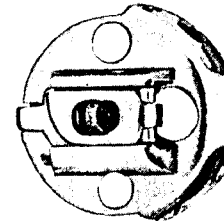


201141

210913



210915



201355



200082



200362



201197



201542

210914



PLATE 11622—ONE-FOURTH SIZE

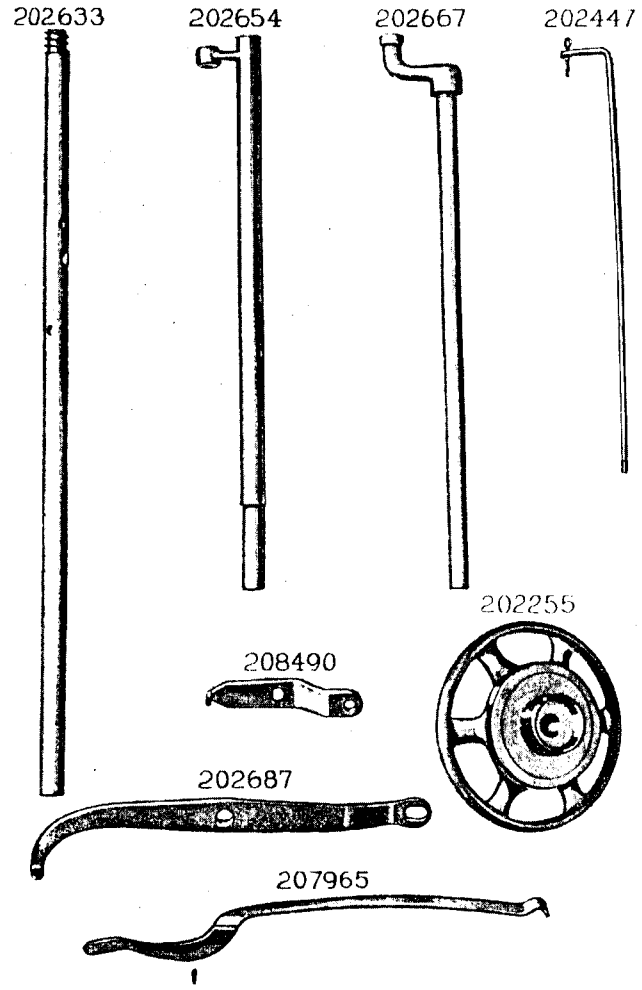


PLATE 11623—FULL SIZE

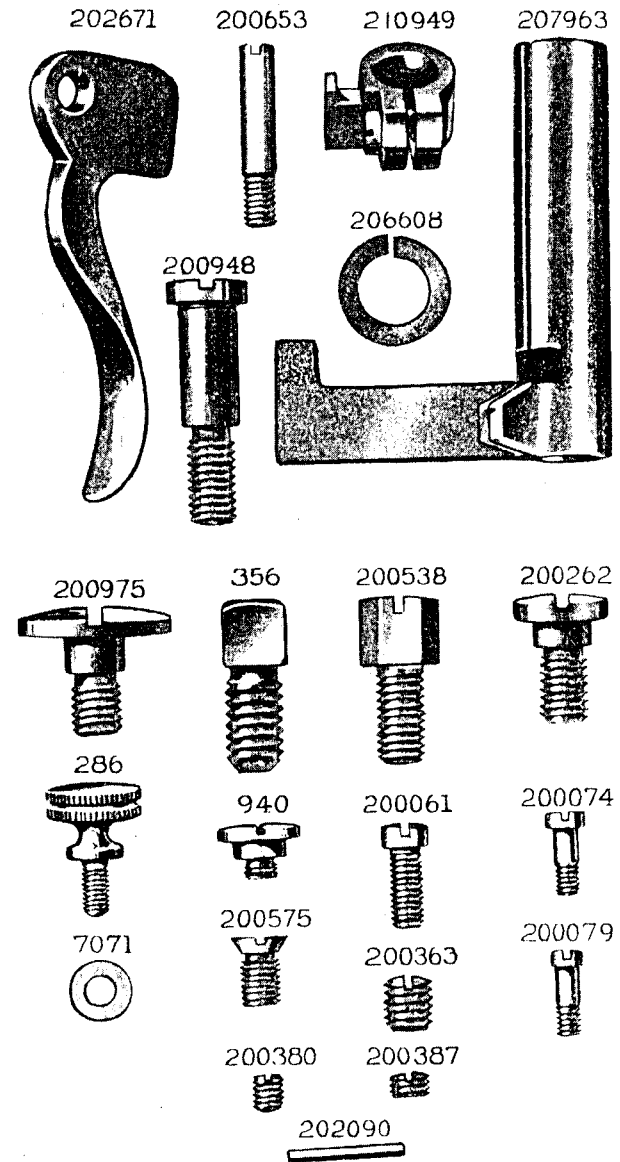


PLATE 12153—ONE-HALF SIZE

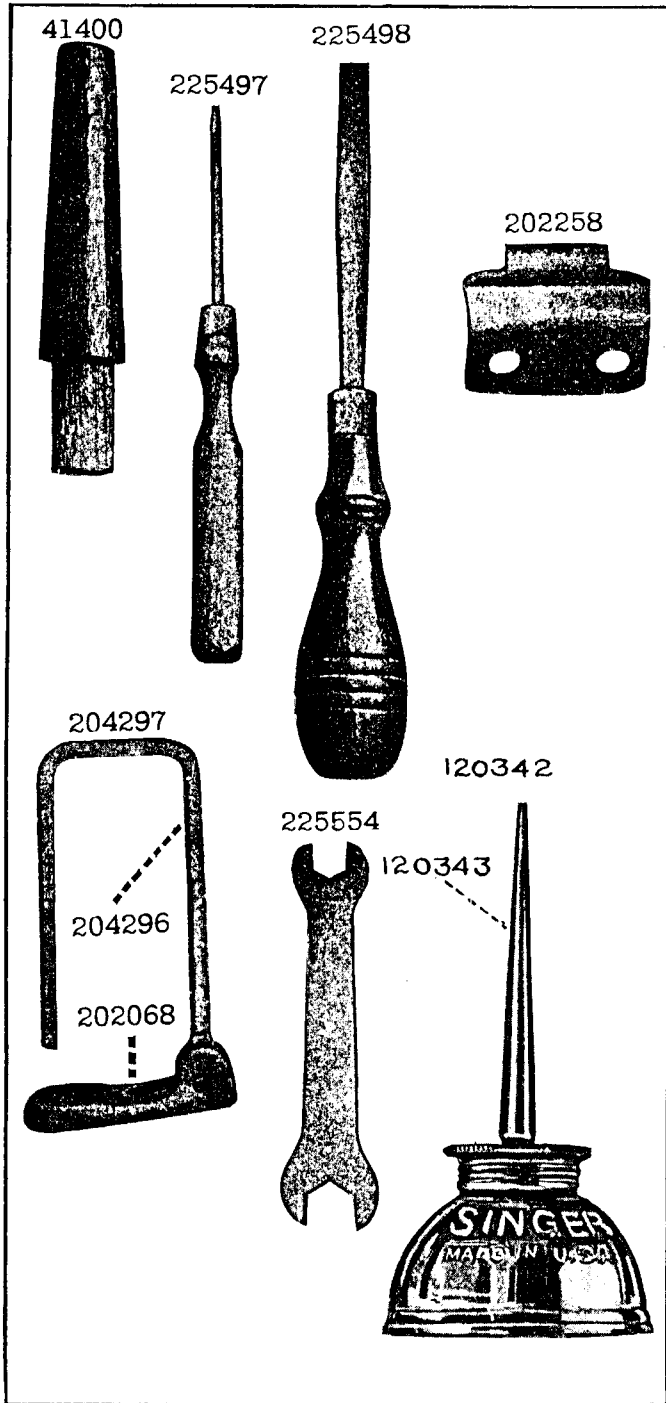


PLATE 13395—ONE-FOURTH SIZE

