

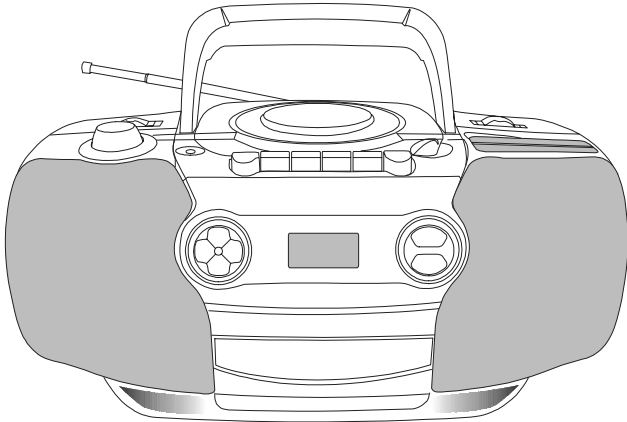
*Lenox Sound*<sup>®</sup>

# COMPACT DISC PLAYER

AM/FM/TV1/TV2 (WEATHER) BAND STEREO CASSETTE RECORDER

MODEL CD-103/BP-103

## OPERATING INSTRUCTIONS



- PLAYS MUSIC COMPACT DISCS
- FULLY PROGRAMMABLE CD PLAYER WITH REPEAT
- RECEIVES TV BAND AND WEATHER BAND
- RECEIVES AM/FM BROADCASTS
- RECORDS FROM CD, RADIO, OR BUILT-IN MICROPHONE
- FM STEREO AND POWER LED INDICATORS
- 2 WAY POWER - AC/DC
- REQUIRES 6 SIZE "C" BATTERIES (not included)

---

PLEASE READ CAREFULLY BEFORE USE

IB-CD103(SY)-WM-E-053002

## WARNING

TO PREVENT FIRE OR SHOCK HAZARD, DO NOT USE THE PLUG WITH AN EXTENSION CORD, RECEPTACLE OR OTHER OUTLET UNLESS THE BLADES CAN BE FULLY INSERTED TO PREVENT BLADE EXPOSURE. TO PREVENT FIRE OR SHOCK HAZARD, DO NOT EXPOSE THIS APPLIANCE TO RAIN OR MOISTURE.



The lightning flash with arrowhead symbol, within an equilateral triangle, is intended to alert the user to the presence of uninsulated "dangerous voltage" within the product's enclosure that may be of sufficient magnitude to constitute a risk of electric shock to persons.

### WARNING

**RISK OF ELECTRIC SHOCK  
DO NOT OPEN**

WARNING: TO REDUCE THE RISK OF ELECTRIC SHOCK, DO NOT REMOVE COVER (OR BACK). NO USER SERVICEABLE PARTS INSIDE. REFER SERVICING TO QUALIFIED SERVICE PERSONNEL.



The exclamation point within an equilateral triangle is intended to alert the user to the presence of important operating and maintenance (servicing) instructions in the literature accompanying the appliance.

## IMPORTANT SAFETY INSTRUCTIONS

1. Read these instructions.
2. Keep these instructions.
3. Heed all warnings.
4. Follow all instructions.
5. Do not use this apparatus near water.
6. Clean only with dry cloth.
7. Do not block any ventilation openings, install in accordance with the manufacturer's instructions.
8. Do not install near any heat sources such as radiators, heat registers, stoves, or other apparatus (including amplifiers) that produce heat.
9. Do not defeat the safety purpose of the polarized or grounding-type plug. A polarized plug has two blades with one wider than the other. A grounding type plug has two blades and a third grounding prong. The wide blade or the third prong are provided for your safety. If the provided plug does not fit into your outlet, consult an electrician for replacement of the obsolete outlet.
10. Protect the power cord from being walked on or pinched particularly at plugs, convenience receptacles, and the point where they exit from the apparatus.
11. Only use attachments/accessories specified by the manufacturer.
12. Unplug this apparatus during lightening storms or when unused for long periods of time.
13. Refer all servicing to qualified service personnel. Servicing is required when the apparatus has been damaged in any way, such as power-supply cord or plug is damaged, liquid has been spilled or objects have fallen into the apparatus, the apparatus has been exposed to rain or moisture, does not operate normally or has been dropped.
14. This appliance shall not be exposed to dripping or splashing water and that no object filled with liquid such as vases shall be placed on the apparatus.

## — ADDITIONAL SAFETY INSTRUCTIONS —

1. **Power Sources** - The appliance should be connected to a power supply only of the type described in the operating instructions or as marked on the appliance.
2. **Wall or Ceiling Mounting** - The appliance should not be mounted to a wall or ceiling.
3. **Object and Liquid Entry** - Care should be taken so that objects do not fall and liquids are not spilled into the enclosure through openings.
4. **Servicing** - The user should not attempt to service the appliance beyond that described in the operating instructions. All other servicing should be referred to qualified service personnel.

It is the intent of Lenoxx that this product be used in full compliance with the copyright laws of the United States and that prior permission be obtained from copyright owners whenever recording songs from the RADIO or CD's.

Do not apply oil or petroleum products or solvents to any part of this set.

### CAUTION

Use of controls or adjustments or performance of procedures other than those specified herein may result in hazardous radiation exposure. This compact disc player is classified as CLASS 1 LASER PRODUCT as stated on the bottom of the set.

### NOTE

This equipment has been tested and found to comply with the limits for a Class B digital device, pursuant to Part 15 of the FCC Rules. These limits are designed to provide reasonable protection against harmful interference in a residential installation. This equipment generates, uses and can radiate radio frequency energy and, if not installed and used in accordance with the instructions, may cause harmful interference to radio communications. However, there is no guarantee that interference will not occur in a particular installation.

If this equipment does cause harmful interference to radio or television reception, which can be determined by turning the equipment off and on, the user is encouraged to try to correct the interference by one or more of the following measures:

- Reorient or relocate the receiving antenna.
- Increase the separation between the equipment and receiver.
- Connect the equipment into an outlet on a circuit different from that to which the receiver is connected.
- Consult the dealer or an experienced radio/TV technician for help.

# BATTERY SAFETY INSTRUCTIONS

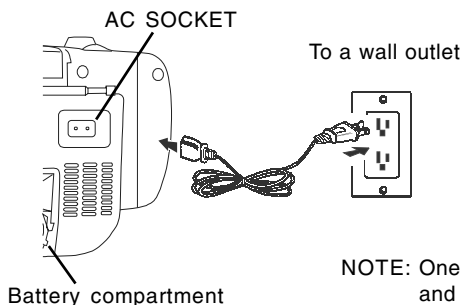
**CAUTION: TO REDUCE THE RISK OF FIRE OR PERSONAL INJURY OR DAMAGE TO YOUR SET, READ AND FOLLOW THESE INSTRUCTIONS.**

1. Use only the type and size of batteries mentioned in the operating instructions manual (batteries are not included with this set, please buy the proper batteries).
2. Do not dispose the batteries into a fire. The cells may explode. Check with local codes for possible special disposal instructions.
3. Do not open or mutilate the batteries. Released electrolyte is corrosive and may cause damage to the eyes or skin. It may be toxic if swallowed.
4. Be careful when handling batteries in order not to short the battery with conducting materials such as rings, bracelets and keys. The battery or conductor may over heat and cause burns.
5. Do not attempt to recharge non-rechargeable batteries. The batteries may leak corrosive electrolyte or explode.
6. Do not attempt to rejuvenate the batteries identified for use with this product by heating them. Sudden release of the battery electrolyte may cause burns or irritation to eyes or skin.
7. All batteries should be replaced at the same time. Mixing fresh and discharged batteries could increase internal cell pressure and rupture the batteries.
8. When inserting batteries into this product, the proper polarity (  $\oplus$  and  $\ominus$  ) or direction must be observed. Reverse insertion of some or all of the batteries may result in battery electrolyte leakage or explosion.
9. Remove the batteries from this product if the product will not be used for a long period of time (several months or more) since during the period the batteries could leak, damaging the product.
10. Discard weak or dead batteries as soon as possible since they are more likely to leak in the product. Batteries should be replaced (depending on the product) when the display gets dim or if the Low Battery Indicator shows or if the sound gets distorted.
11. Do not store this product in high temperature areas. Batteries that are stored in a freezer or refrigerator for the purpose of extending shelf life should be protected from condensation during storage and defrosting. Batteries should be stabilized at room temperature prior to use after cold storage.
12. If this product does not operate normally, see TROUBLE SHOOTING in this instruction manual. If you can't resolve the problem, or if the product is damaged, refer to the LENOXX WARRANTY INFORMATION. Opening or removing covers may expose you to dangerous voltages or other risks. Incorrect reassembly can cause electric shock when the appliance is subsequently used.
13. If liquid leaks from the batteries, carefully wipe this liquid. Do not allow it to touch your skin, and discard the leaking batteries.
14. Do not mix batteries (OLD and NEW or CARBON and ALKALINE, etc.).
15. The use of rechargeable batteries is not recommended for this set because their voltage and life is lower than standard batteries.
16. Installation of batteries should be done by an adult only.

**SAVE THESE INSTRUCTIONS**

## CHOOSING THE POWER SOURCES

You can use the AC power or batteries as a power source.



NOTE: One blade of plug and outlet is wider.

### Tip

- If the plug of the AC power cord does not match your outlet, do not force it. Reverse it and try again. This plug is polarized and only fits one way into the wall outlet and the back of the set.
- Replace the batteries when the Power Lamp dims or when the player stops operating. Replace all the batteries with new ones. Before you replace the batteries, be sure to take out the CD from the player and remember to check the Battery Safety Instructions on Page 3.
- If the CD does not play on batteries, this means the batteries are almost used up. But the radio may continue to play on these weak batteries because it uses less power than the CD player.

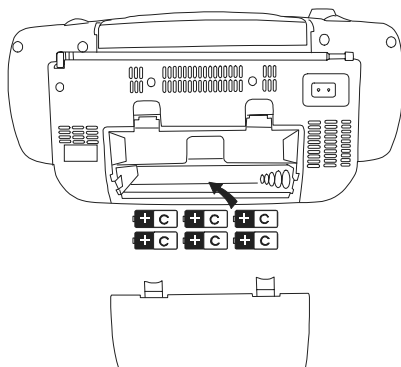
## 1. Connecting the AC power cord

Insert one end of the supplied AC power cord into the socket located at the rear of the player, and the other end to the wall outlet.

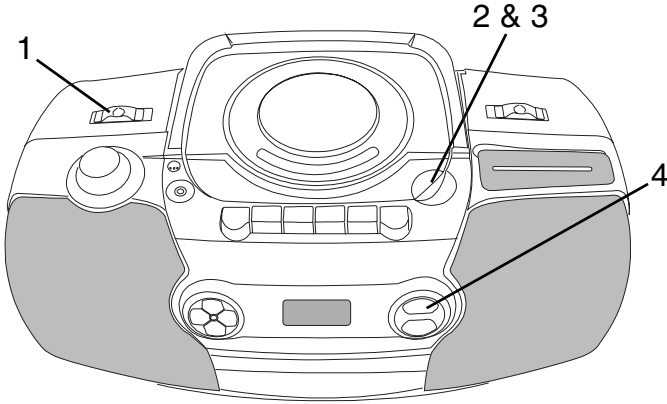
## 2. Using the player on batteries

Insert 6 size "C" batteries (not supplied) into the battery compartment.

To use the player on batteries, disconnect the AC power cord from the player.

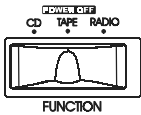


# PLAYING A CD




Connect the supplied AC power cord or batteries (see page 4).

- 
- 1**

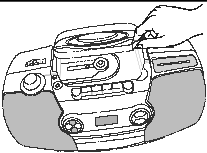


Slide the FUNCTION switch to CD position (power on), the POWER lamp will be on. And the display will show 2 dashes " - - " flashing , then " 00 ".

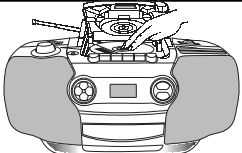


---

  - 2**

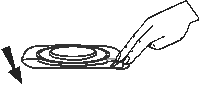


Lift the right corner of the CD DOOR to open it and place the CD in the CD compartment. The label side of the CD should face upward.

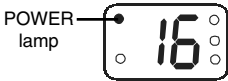


---

  - 3**




Close the CD DOOR by pushing it down. The display will show the total tracks on that CD.

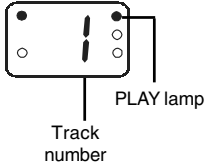


---

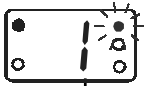
  - 4**



Press the CD PLAY button. The POWER and PLAY lamps will be steady on, the player plays all the tracks once.



## USE THESE BUTTONS FOR ADDITIONAL OPERATIONS



Track number

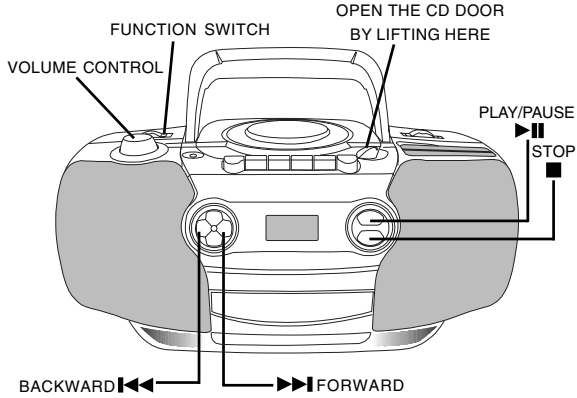
### TIP

When CD play is paused, the PLAY/PAUSE lamp will flash and no music will play.

To resume play, press the PAUSE button again, the PLAY lamp will stop flashing and music will play.

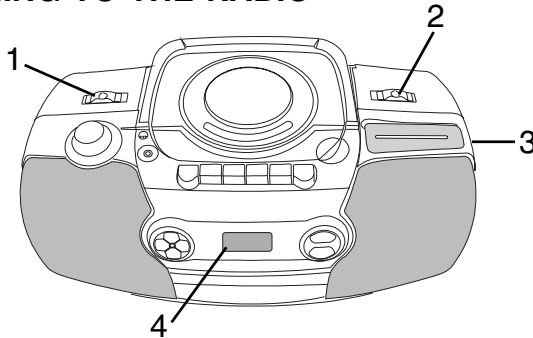
### TIP

If you bump the set during CD play, the music will stop or skip for a few seconds. This is normal for this type of player.



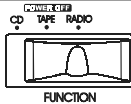
To	Press or Adjust
Adjust the volume	VOLUME control
Stop playback	■ STOP
Pause playback	▶▶ PLAY/PAUSE The PLAY lamp will flash during pause. Press again to resume play after pause.
Go to the next track	▶▶ FORWARD
Go back to the previous track	◀◀ BACKWARD
Locate a point in a song	BACKWARD ◀◀ or FORWARD ▶▶ Press and hold down while playing until you find the point.
Remove the CD	Lift the CD DOOR (press STOP first).
Turn off the power	Slide the FUNCTION switch to TAPE position.

# LISTENING TO THE RADIO



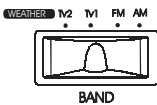
Connect the supplied AC power cord or batteries (see page 4).

1



Slide the FUNCTION switch to RADIO position, the POWER lamp will be on.

2



Slide the BAND switch to the proper band position (AM, FM, or TV1, TV2 (WEATHER BAND)) that you want.

Select AM to tune AM radio stations.

Select FM to tune FM radio stations.

Select TV1 to tune TV channels 2 through 6.

Select TV2 to tune TV channels 7 through 13, including WEATHER BAND.

3



Tune into the station you prefer using the TUNING control (at the right side of the set). Adjust for the clearest sound.

**NOTE 1:** When tuning to TV band stations, many times a loud buzzing will be heard, which results from the video portion of the TV signal. This is normal for all TV band radios.

**NOTE 2:** TV band and Weather Band signals are weaker than normal FM signals. Most TV band signals have a range of only 50 miles (maximum) from the broadcast station.

**NOTE 3:** Some noise or 2 way radio conversations may be heard on the TV band or Weather Band, this is normal and results from the weaker signals of these broadcasts. WB may not be received in all areas due to a lack of transmission coverage for those areas or in some fringe areas where TV signals can only be received by using Cable.

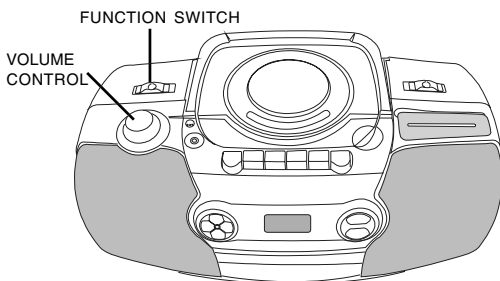
4



The FM STEREO indicator will light up when receiving FM Stereo broadcasts.



## USE THESE BUTTONS FOR ADDITIONAL OPERATIONS



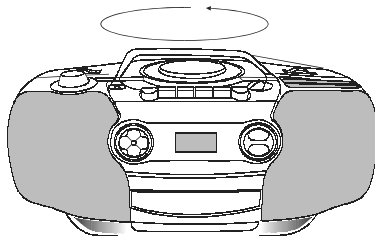
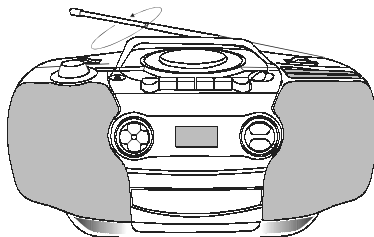
### TIP

- Next time you want to listen to the radio, just slide the FUNCTION switch to RADIO. The player automatically starts playing the previously tuned station.

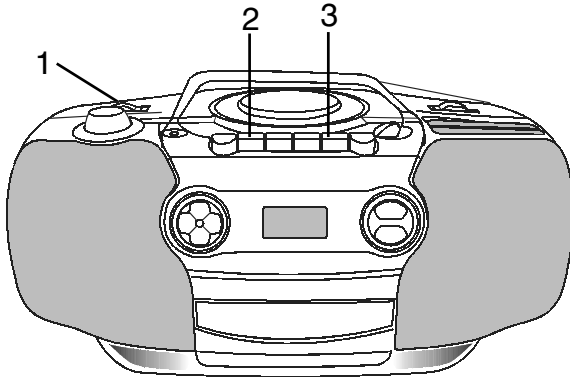
To	Slide or Adjust
Adjust the volume	VOLUME control
Turn off the Radio	Slide the FUNCTION switch to TAPE position

### To improve broadcast reception

Change position of the antenna for FM, TV1 or TV2 (WEATHER BAND). Move the set itself for AM.

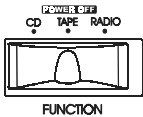


# PLAYING A TAPE



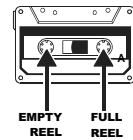
Connect the supplied AC power cord or batteries (see page 4).

1



Slide the **FUNCTION** switch to **TAPE** position.

**TAPE PLAY DIRECTION**



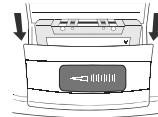
2



**STOP/EJECT**

Press the **STOP/EJECT** button to open the tape compartment and insert a recorded tape. Close the door.

**INSERT TAPE THIS WAY**  
**FULL REEL ON RIGHT**

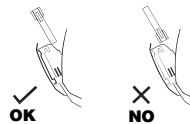


3



**PLAY**

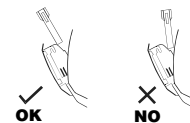
Press the **PLAY** button. The player turns on and starts playing.



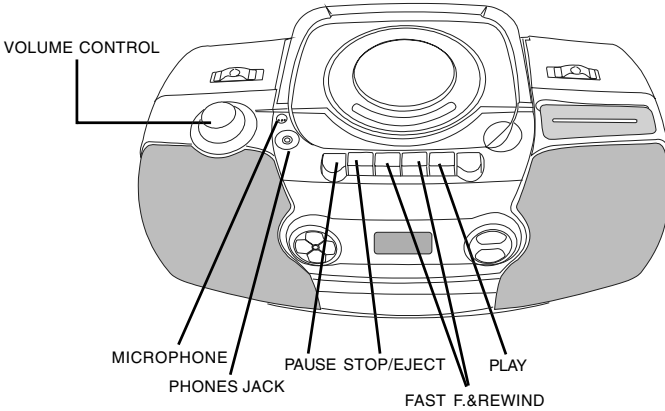
4

**AUTO STOP**

When the set finishes playing this side of the tape, the set will stop. To hear the other side of the tape, flip the tape over, then reinsert and press **PLAY**.

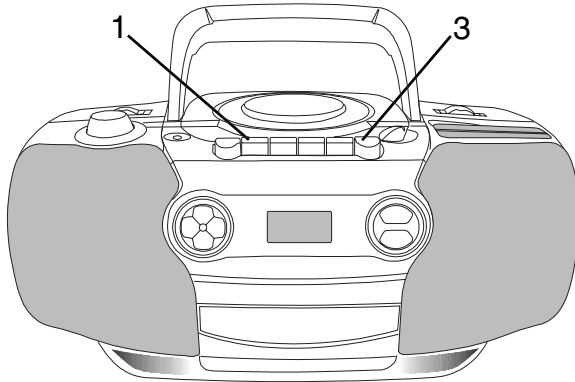


# USE THESE BUTTONS FOR ADDITIONAL OPERATIONS



<b>To</b>	<b>Press or Adjust</b>
Adjust the volume	VOLUME control
Stop playback	STOP/EJECT button
Fast forward or rewind the tape	FAST FORWARD button or REWIND button
Pause playback	PAUSE button Press again to resume play after pause.
Eject the cassette	STOP/EJECT button
To enjoy the music without disturbing others	Insert your headphone plug into the PHONES jack.
To shut power off	Make sure cassette buttons are all up (stop) and FUNCTION switch is in the center position (power off).

# RECORDING ON A TAPE



Connect the supplied AC power cord or batteries (see page 4).

**1 STOP/EJECT**

Press the STOP/EJECT button to open the tape compartment and insert a blank tape. Select the program source (AM, FM, TV1, TV2, CD, or, built-in microphone) you want to record.



**2**

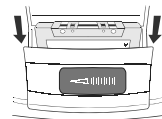
FUNCTION

To record from the CD player, insert a CD and follow the steps to play a CD (see page 5).

**INSERT TAPE THIS WAY  
FULL REEL ON RIGHT**

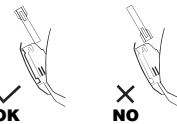
FUNCTION

To record from the radio, slide the FUNCTION switch to RADIO, and tune into the station you want (see page 7).



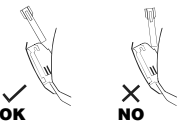
**3 RECORD**

To record from the built-in microphone, leave the FUNCTION switch at the TAPE position, and speak in front of the set.

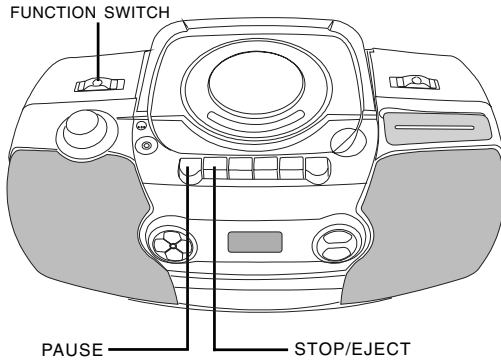


**4 REWIND PLAY**

Press the RECORD button to start recording. (The PLAY button is depressed automatically.)



## USE THESE BUTTONS FOR ADDITIONAL OPERATIONS



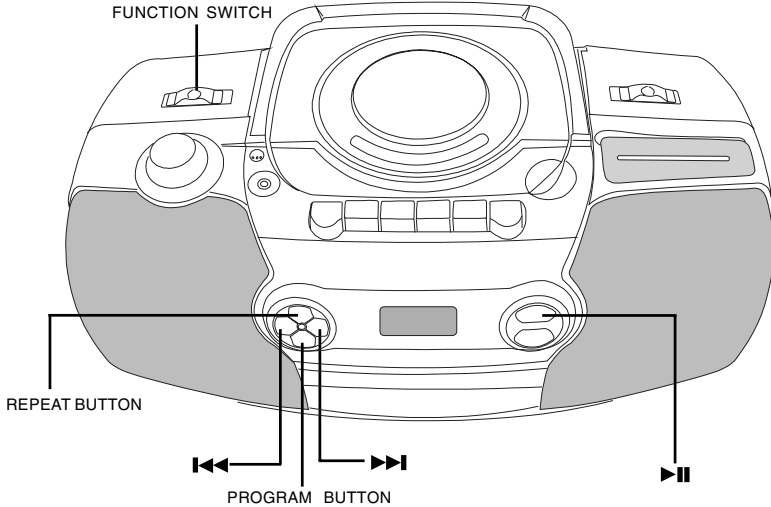
### TIP

- For best recording effect, use the AC power instead of batteries.
- To erase a recording, just start a new recording, and the old one is automatically replaced.




To	Press or Adjust
Stop recording	STOP/EJECT button
Pause recording	PAUSE button Press the button again to resume recording.
Turn off the power	Press the STOP/EJECT button and slide the FUNCTION switch to TAPE position.

# PLAYING CD TRACKS REPEATEDLY (REPEAT PLAY)

You can play CD tracks over and over in normal or program play modes (see page 14).



1. Slide the FUNCTION switch to CD position.
2. Select the track by pressing ◀◀ or ▶▶ , and then press ⏸ .
3. Press the CD REPEAT button.

To repeat	Press	Display shows
a single track (song)	Press the REPEAT button once, the REPEAT lamp will flash.	 PLAY/ PAUSE PROGRAM REPEAT
all the tracks (all songs)	Press the REPEAT button twice, the REPEAT lamp will be steady on.	 PLAY/ PAUSE PROGRAM REPEAT
programmed tracks	During programmed play, press the REPEAT button twice, both the REPEAT and PROGRAM lamps will be steady on.	 PLAY/ PAUSE PROGRAM REPEAT

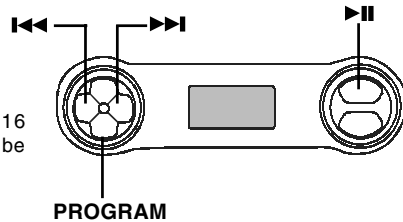
## To cancel Repeat Play

Press the REPEAT button until the REPEAT lamp goes off.

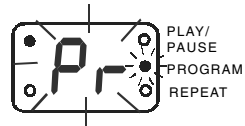
## PLAYING CD TRACKS IN PROGRAMMED ORDER

### Programmed Play

You can make a program of up to 16 tracks in the order you want them to be played.



1. Slide the FUNCTION switch to CD position. Make sure the CD is stopped.
2. Press the PROGRAM button. The letters “PR” and the PROGRAM lamp will flash.
3. Press ►► or ◀◀ to select the tracks you want to program in the order you want.
4. Press the PROGRAM button to confirm. The letters “PR” will flash and the PROGRAM lamp will be steady on.
5. Repeat steps 3 and 4. You can program up to 16 tracks.
6. Press ►|| to start programmed play. During the programmed play, the selected track numbers will display in the programmed order. The PLAY and PROGRAM lamps will be steady on.



### To change the current program

Just create a new program following the Programming procedure.

### To cancel Programmed Play

Press the STOP button twice or slide the FUNCTION switch to TAPE position (POWER OFF).

# PRECAUTIONS

## On Safety

- As the laser beam used in the CD player section may be harmful to the eyes, do not attempt to disassemble the cabinet. Refer servicing to qualified personnel only.
- Should any solid object or liquid fall into the player, unplug the player, and have it checked by qualified personnel before operating it any further.

## On Placement

- Do not leave the player in a location near a heat source, or in a place subject to direct sunlight, excessive dust or mechanical shock.
- Do not place the player on an inclined or unstable place.
- Do not place anything within 1 inch of the back of the cabinet. The ventilation holes must not be covered for the player to operate properly and prolong the life of its components.
- If the player is left in a car parked in the sun, be sure to choose a location in the car where the player will not be subjected to the direct rays of the sun.
- Since a strong magnet is used for the speakers, keep personal credit cards using magnetic coding or springwound watches away from the player to prevent possible damage from the magnets.

## On Power Sources

- For battery operation, use 6 size “C” batteries. We recommend alkaline batteries for longer life.
- When the batteries will not be used for a few weeks or more, remove them to avoid damage that can be caused by battery leakage or corrosion.

## On Operation

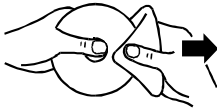
- If the player is brought directly from a cold to a warm location, or is placed in a very damp room, moisture may condense on the lens inside the CD player section. Should this occur, the player will not operate properly. In this case, remove the CD and wait about an hour for the moisture to evaporate. If the player has not been used for a long time, set it in the playback mode to warm it up for a few minutes before inserting a cassette.
- This CD player is designed to be played on a stable no vibration position. If you bump the set during CD play, the music will stop or skip for a few seconds. This is normal for this type of player.
- If you have any questions or problems concerning your player, please contact our customer service department at 1-800-315-5885.  
(Monday - Thursday 09:00 AM - 05:00 PM,  
Friday 09:00 AM - 01:00 PM EST)



## PRECAUTIONS (continued)

### Notes on CDs

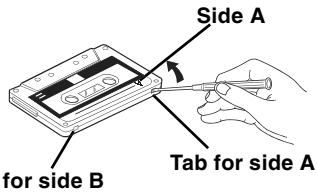
- Before playing, clean the CD with a cleaning cloth. Wipe the CD from the center out.



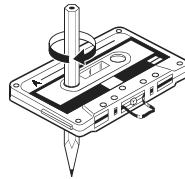
- Do not use solvents such as benzene, thinner, commercially available cleaners or anti-static spray intended for vinyl LPs.
- Do not expose the CD to direct sunlight or heat sources such as hot air ducts, nor leave it in a car parked in direct sunlight as there can be a considerable rise in temperature inside the car.
- Do not stick paper or stickers on the CD, nor scratch the CD.
- After playing, store the CD in its case. If there is a scratch, dirt or fingerprints on the CD, it may cause a tracking error or skipping.

### Notes on Cassettes

- Break off the cassette tab from side A or B to prevent accidental recording.



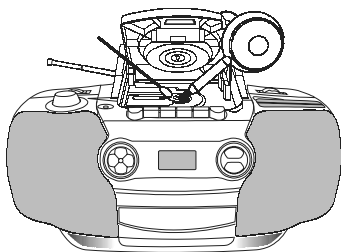
- To record on a tape with its tab broken off, cover the respective tab hole for side A or B with adhesive tape.
- **Use of a cassette with more than 90 minutes, such as C-120 (120 minutes), is not recommended. The extreme thinness of this tape may damage this set.**
- To reduce the chances of tape jamming or tangling, you should check that there are no loose layers of tape visible through the cassette center window. If any, tighten these loose layers of tape using a pencil before inserting the cassette into the set.



## MAINTENANCE

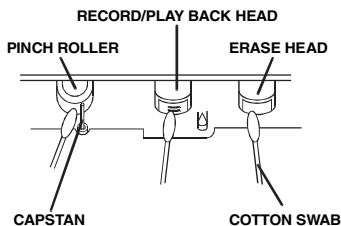
### Cleaning the Lens

If the lens becomes dirty, it may cause a skipping of sound during CD operation. Clean with a commercially available lens cleaner and blower.



### Cleaning the Tape Heads

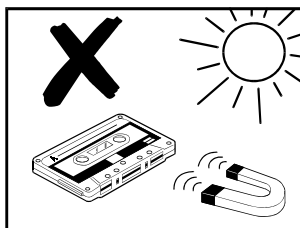
Wipe the heads, the pinch roller and the capstan with a cleaning swab slightly moistened with cleaning fluid or alcohol after every 10 hours of operation for optimum playback and recording quality. After cleaning, insert a tape when the areas cleaned are completely dry.



**NOTE:** In order to see and clean the head, you may have to press PLAY first.

### Notes for Storing Cassette Tapes

1. Do not put a tape near a magnetic field, such as a TV, or speaker. Magnetic fields may reduce the tape sensitivity or even erase the recording.
2. Do not store tape for any length of time in a hot, moist or dusty place.



### Cleaning the Cabinet

Clean the cabinet, panel and controls with a soft cloth slightly moistened with a mild detergent solution. Do not use any type of abrasive pad, scouring powder, or solvent, such as alcohol or benzene.

### ADVICE

**PROTECT YOUR FINE FURNITURE**  
WE RECOMMEND A CLOTH OR OTHER PROTECTIVE MATERIAL BE PLACED UNDER THE SET WHEN PLACING IT ON SURFACE WITH A NATURAL OR LACQUER FINISH.

# TROUBLE SHOOTING

	Problem	Remedy
<b>General</b>	The power is not on.	<ul style="list-style-type: none"> <li>• Connect the AC power cord to a wall outlet securely.</li> <li>• Make sure the batteries are inserted correctly and they are fresh.</li> </ul>
	There is no sound.	<ul style="list-style-type: none"> <li>• Make sure the FUNCTION switch is in the correct position.</li> <li>• Adjust the volume.</li> <li>• Unplug the headphones when listening through speakers.</li> </ul>
<b>CD player</b>	CD does not play.	<ul style="list-style-type: none"> <li>• Make sure that the CD compartment is closed.</li> <li>• Place the CD with the label side up.</li> <li>• Clean the CD.</li> <li>• Take out the CD and leave the CD DOOR open for about an hour to dry moisture condensation.</li> <li>• Make sure the FUNCTION switch is at CD position.</li> </ul>
	The sound drops out.	<ul style="list-style-type: none"> <li>• Clean the CD, or replace it if the CD is badly damaged.</li> <li>• Place the player in a location free from vibration.</li> <li>• Check if your batteries are fresh.</li> </ul>
	CD does not play while radio may continue to play.	<ul style="list-style-type: none"> <li>• It is normal since the radio uses less power than the CD player.</li> </ul>
<b>Radio</b>	The sound is weak or has poor quality.	<ul style="list-style-type: none"> <li>• Replace all the batteries with new ones if they are weak, or bring the set near a window, or rotate the set.</li> </ul>
	The reception of FM/TV/WB band is weak.	<ul style="list-style-type: none"> <li>• Adjust the length and the angle of the antenna to change position for better reception.</li> </ul>
<b>Tape player</b>	The tape does not play or record	<ul style="list-style-type: none"> <li>• Make sure the recording tab on the cassette is in place.</li> <li>• Make sure the FUNCTION switch is in the correct position.</li> <li>• Make sure the tape is inserted correctly.</li> </ul>
	The tape does not erase completely.	<ul style="list-style-type: none"> <li>• Clean the erasing head (see page 17).</li> <li>• Replace all the batteries with new ones if they are weak.</li> </ul>
	Tape jamming or tangling	<ul style="list-style-type: none"> <li>• Use only better quality tapes.</li> <li>• Do not use a cassette with more than 90 minutes.</li> <li>• Make sure there are no loose layers of tape visible before inserting the cassette.</li> </ul>
	The sound is weak/The sound quality is poor.	<ul style="list-style-type: none"> <li>• Clean the heads, pinch roller and capstan (see page 17).</li> </ul>
	Cassette PLAY button pops up.	<ul style="list-style-type: none"> <li>• The tape has reached its end. Remove it, flip to the other side and re-insert.</li> </ul>

## SPECIFICATION

### General Description

Power source: AC 120V, 60Hz 12 Watts  
DC 9V (6 size "C" batteries)  
(Alkaline batteries are recommended)

Speakers: 2 - 3<sup>1</sup>/<sub>2</sub>" 8 ohm

Output power: 1.5W/channel

Dimensions: Width: 14 1/2"  
Depth: 8"  
Height: 6 3/4"  
Weight: 5LBs (without batteries)

### CD Section

Plays disc type: Any normal CD used in portable players

Laser wavelength: 760 - 800 NM

Tracking method: 3 - spot error detection 3.86 mm lens

Frequency response: 50Hz - 15kHz +1/-2dB

**NOTE:** This CD player will only play **NORMAL** music CDs (or CD-R CDs).  
This set will not play **CDRW** encoded discs.

### Tape Recorder Section

Frequency response: Standard normal bias cassette tape,  
70Hz - 10kHz

### Radio Section

Frequency range: FM: 88 - 108 MHz  
AM: 530 - 1700 kHz  
TV1: channels 2-6  
TV2(WEATHER BAND): channels 7-13

LENOXX reserves the right to make design and specification changes for product improvement.

## For customer service

**Dial 1-800-315-5885** (MONDAY - THURSDAY 9:00 AM - 5:00 PM, FRIDAY 9:00 AM - 1:00 PM EST)

**or Visit Our Website:** <http://www.lenoxx.com>

© 2002 LENOXX ELECTRONICS CORP.  
2 GERMAK DRIVE  
CARTERET, N.J. 07008  
MADE & PRINTED IN CHINA