



Barrier-Free® Examination Table

For Models:
625 (-001 / -003)
625 (-005 / -006)



MA8113p

User's Guide

003-2020-00 Rev K (10/25/13)

Product Information

Dealer :

Date of Purchase:

Model / Serial Number:

**Midmark Authorized Service
Company:**

**Model / Serial Number Label
Located on the Back Mounting Frame**
(exact location may vary)

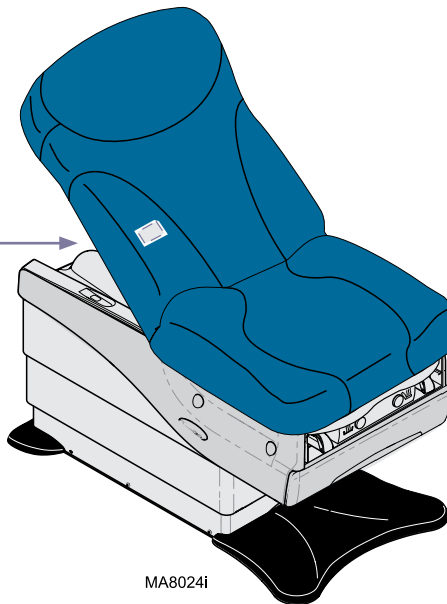


Table of Contents

Important Information

<u>Safety Symbols</u>	4
<u>Transportation / Storage Conditions</u>	4
<u>Compliance Information</u>	5
<u>Intended Use</u>	6
<u>Electrical Requirements</u>	6
<u>Electromagnetic Interference</u>	6
<u>Disposal of Equipment</u>	6
<u>Safety Instructions</u>	7

Operation

<u>Base / Back Functions</u>	8
<u>Home Function</u>	9
<u>Quick Exam® Function</u>	10
<u>Exam Assistant® Drawer System</u>	11
<u>Paper Roll & Tear Strap</u>	12
<u>Stirrups</u>	13
<u>Footrest & Treatment Pan</u>	14
<u>Drawer Heater (optional)</u>	14
<u>Pelvic Tilt</u>	15
<u>Duplex Receptacle</u>	16

Maintenance

<u>Calling for Service</u>	17
<u>Cleaning</u>	17
<u>Preventative Maintenance</u>	17

Specifications

<u>Weights, Dimensions, Electrical Specifications</u>	18
<u>Model Identification / Compliance Chart</u>	19
<u>Range of Motion & Dimensions</u>	20

Warranty Information

<u>Limited Warranty</u>	22
-------------------------------	----

Important Information

Safety Symbols



DANGER

Indicates an imminently hazardous situation which will result in serious or fatal injury. This symbol is used only in the most extreme conditions.



WARNING

Indicates a potentially hazardous situation which could result in serious injury.



Caution

Indicates a potentially hazardous situation which may result in minor or moderate injury. It may also be used to alert against unsafe practices



Equipment Alert

Indicates a potentially hazardous situation which could result in equipment damage.

Note

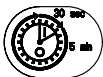
Amplifies a procedure, practice, or condition.



Consult User Guide for important information



Protective earth ground



Duty Cycle (motor run time):
30 seconds ON, 5 minutes OFF



Fuse rating specification



Keep dry



Type B, Applied Part



Proper Shipping Orientation



Maximum stacking height
(palletted units)



Fragile



Emergency Stop



Patient weight limit

Transportation / Storage Conditions

Ambient Temperature Range:.....41°F to 104°F (5°C to 40°C)
Relative Humidity.....10% to 90% (non-condensing)
Atmospheric Pressure500hPa (.49 atm) to 1060hPa (1.04 atm)

Compliance Information

FCC Compliance Statement

This equipment has been tested and found to comply with the limits for a class A digital device, pursuant to part 15 of the FCC rules. These limits are designed to provide reasonable protection against harmful interference when the equipment is operated in a commercial environment. This equipment generates, uses, and can radiate radio frequency energy and, if not installed and used in accordance with the instruction manual, may cause harmful interference to radio communications. Operation of this equipment in a residential area is likely to cause harmful interference in which case the user will be required to correct the interference at their own expense.

Any modifications to this product may violate the rules of the Federal Communications Commission and make operation of the product unlawful.

IC Compliance Statement

Interference

“This device complies with Industry Canada license-exempt RSS standard(s). Operation is subject to the following two conditions: (1) this device may not cause interference, and (2) this device must accept any interference, including interference that may cause undesired operation of the device.”

“Le présent appareil est conforme aux CNR d'Industrie Canada applicables aux appareils radio exempts de licence. L'exploitation est autorisée aux deux conditions suivantes: (1) l'appareil ne doit pas produire de brouillage, et (2) l'utilisateur de l'appareil doit accepter tout brouillage radioélectrique subi, même si le brouillage est susceptible d'en compromettre le fonctionnement.”

Antennas

“Under Industry Canada regulations, this radio transmitter may only operate using an antenna of a type and maximum (or lesser) gain approved for the transmitter by Industry Canada. To reduce potential radio interference to other users, the antenna type and its gain should be so chosen that the equivalent isotropically radiated power (e.i.r.p.) is not more than that necessary for successful communication.”

“Conformément à la réglementation d'Industrie Canada, le présent émetteur radio peut fonctionner avec une antenne d'un type et d'un gain maximal (ou inférieur) approuvé pour l'émetteur par Industrie Canada. Dans le but de réduire les risques de brouillage radioélectrique à l'intention des autres utilisateurs, il faut choisir le type d'antenne et son gain de sorte que la puissance isotrope rayonnée équivalente (p.i.r.e.) ne dépasse pas l'intensité nécessaire à l'établissement d'une communication satisfaisante.”

Intended Use

This exam table is intended to be used as a chair / table to provide positioning and support of patients during general examination procedures conducted by medical professionals.

Electrical Requirements



Caution

When using high frequency surgical devices or endocardial catheters:

- *Use non-conductive material to insulate patient from metal portions of the chair.*
- *Consult operating instructions for the device before using in conjunction with drawer or upholstery heaters.*

Failure to comply may result in electric shock or burns to patient.

Electromagnetic Interference

This product is designed and built to minimize electromagnetic interference with other devices. However, if interference is noticed between another device and this product:

- Remove interfering device from room
- Plug chair into isolated circuit
- Increase separation between chair and interfering device
- Contact Midmark if interference persists

Disposal of Equipment

At the end of product life, the chair, accessories, and other consumable goods may become contaminated from normal use. Consult local codes and ordinances for proper disposal of equipment, accessories and other consumable goods.

Safety Instructions



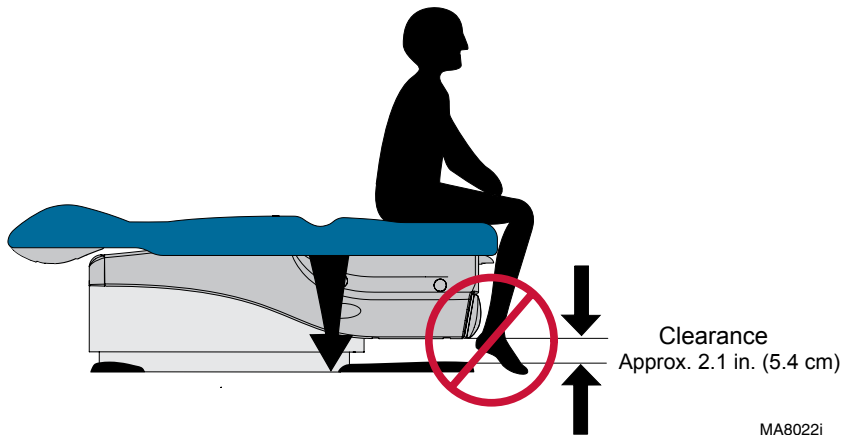
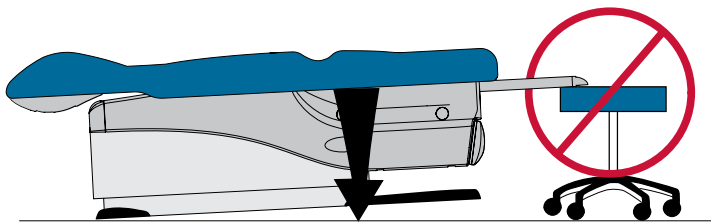
Caution

Be sure that all personnel and equipment are clear of the table before activating any function. Failure to do so could result in personal injury.

At the table's lowest height [18 in. (45.7 cm)], the clearance between the bottom of the drawer and the floor is approximately 2.1 in. (5.4 cm). Make sure patient (esp. feet) and all objects are clear of this area before lowering table.

If the table malfunctions, immediately release foot pedal, unplug the table power cord, and assist the patient from the table. If table continues to malfunction, call for service.

Failure to comply with these instructions may result in injury to patient and/or damage to equipment.



MA8022i

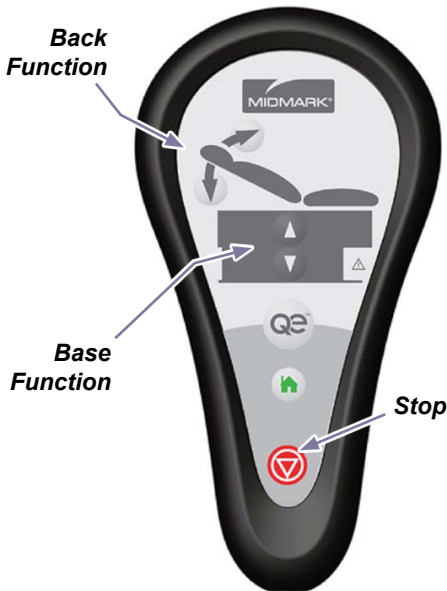
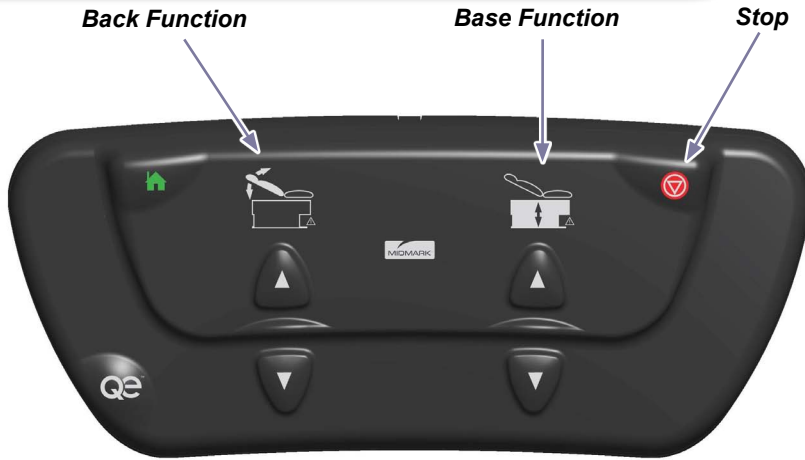
Operation

Base / Back Functions

To operate the Base / Back functions...

Press & hold the Up or Down arrow button for the desired function.

Note: The table automatically stops at its maximum and minimum height.
In the event of a malfunction, press the Stop button to terminate movement.



Equipment Alert

If the table's weight limit is exceeded, you will hear a "beep" and the function will be disabled. If the problem occurs with a normal load, contact your service technician.

'Home' Function

The Home function automatically lowers the table to approximately 20" (51 cm).

To activate the Home function...
Press & release the Home button.

Note: In the event of a malfunction, press the Stop button to terminate movement.



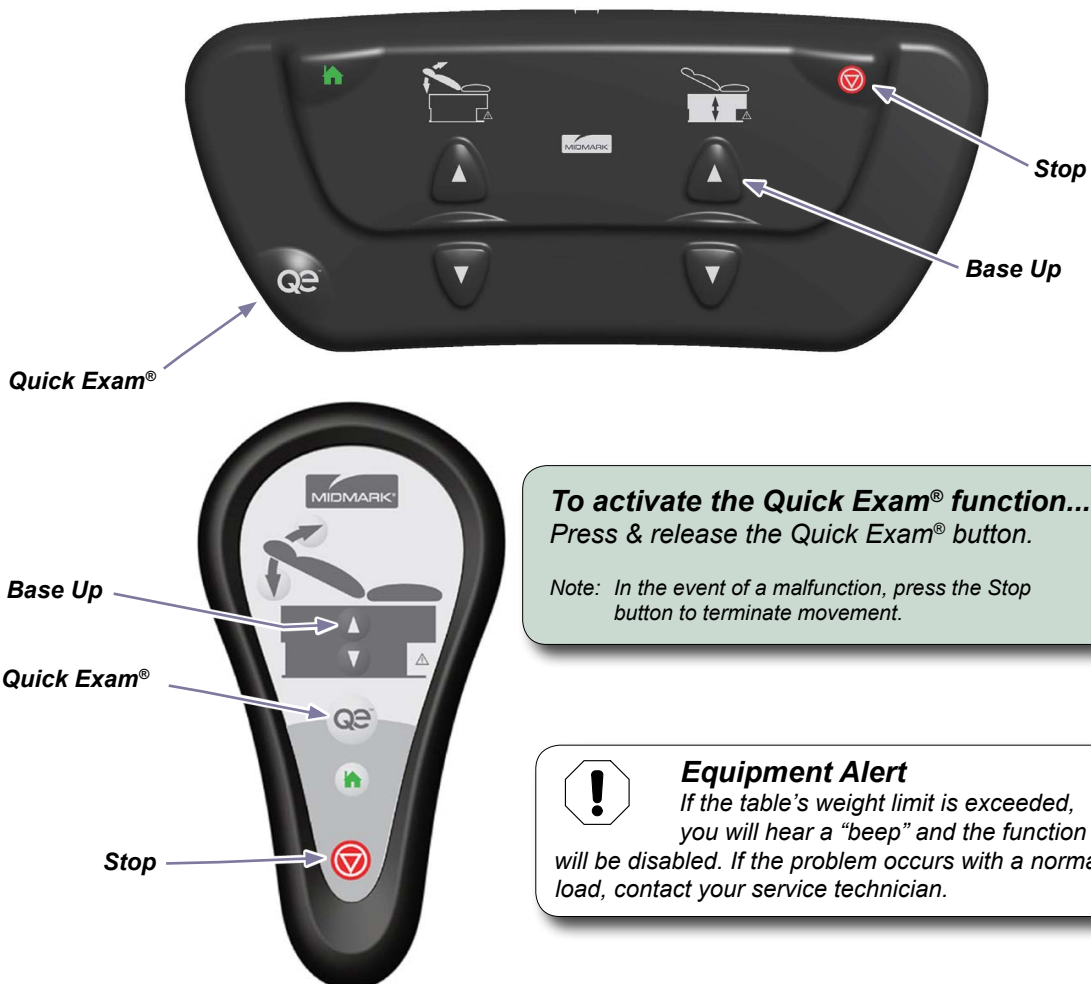
Quick Exam® Function

The Quick Exam® function automatically commands the table seat height to a programmed position.

To program the Quick Exam® function...

- Press the Base Up button to move the table to the desired position.
- Press & hold the Quick Exam® & Base Up buttons simultaneously for three seconds.

Note: You will hear a brief chirp when the new Quick Exam® position is saved.



To activate the Quick Exam® function...

Press & release the Quick Exam® button.

Note: In the event of a malfunction, press the Stop button to terminate movement.



Equipment Alert

If the table's weight limit is exceeded, you will hear a "beep" and the function will be disabled. If the problem occurs with a normal load, contact your service technician.

Exam Assistant® Drawer System

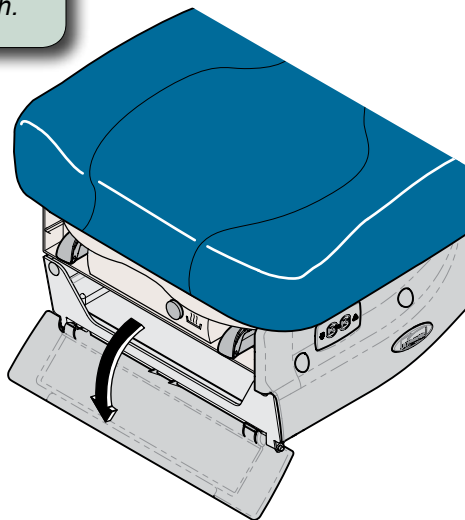
To use the drawer front as a shelf...

Pull drawer front down to release the magnetic latch.



Equipment Alert

The maximum weight the shelf will support is 10 lbs (4.5 kg).



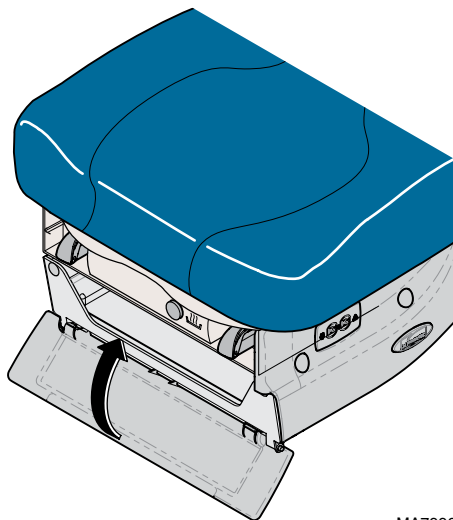
If drawer front folds past horizontal...

Pull drawer front upward until it snaps back into the horizontal position.



Equipment Alert

If drawer front folds past horizontal, do not operate table.



MA7996i

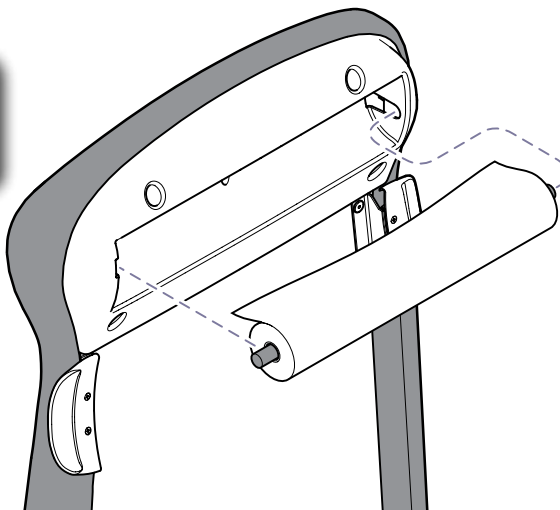
Paper Roll & Tear Strap

Upholstery sets are available in two widths: 28" (standard) & 32" (optional).
Paper rolls of common size may be stored under the back section as follows:

<u>Uph. Width</u>	<u>Paper Roll Size</u>	<u>Max. Qty.</u>
28 in.	21 in. long x 3.0 in. diameter (53.3 cm x 7.6 cm).....	4
28 in.	21 in. long x 3.5 in. diameter (53.3 cm x 8.9 cm).....	2
32 in.	24 in. long x 3.0 in. diameter (70 cm x 7.6 cm).....	2
32 in.	24 in. long x 3.5 in. diameter (70 cm x 8.9 cm).....	1

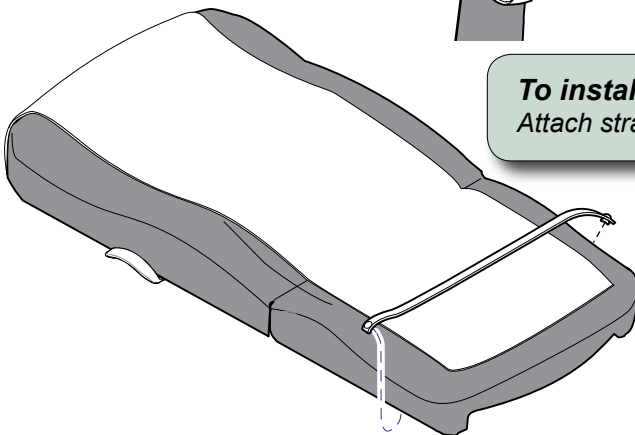
To install paper roll...

Insert rod ends into sockets
under head end of upholstery.



To install paper tear strap...

Attach strap to snaps on each side of table.



MA8018i

Stirrups

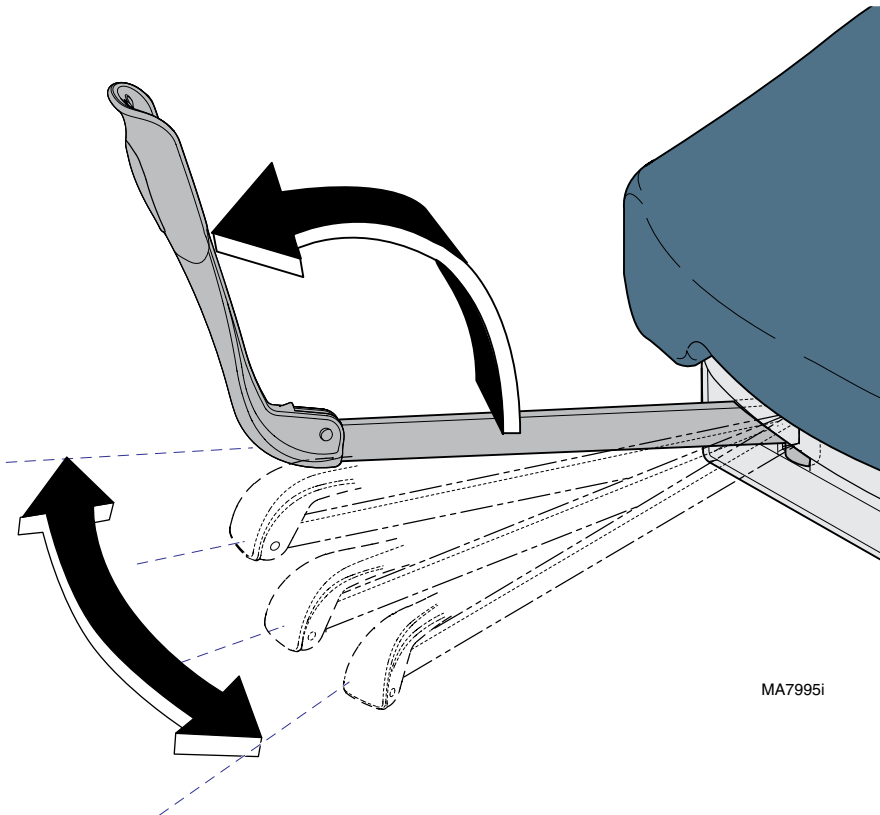


Caution

*Be sure the stirrups are locked in place before using.
The stirrups will not support the patient's entire weight.*

To position the stirrups...

- A) *Pull the stirrup out, then unfold.*
- B) *Lift the stirrup slightly, then move it left or right as desired.*
- C) *Release stirrup to lock in position.*



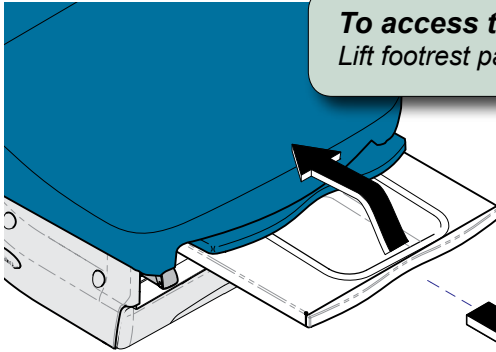
MA7995i

Footrest & Treatment Pan



Caution

Do not use footrest to support patient's entire weight.



To access the treatment pan...

Lift footrest pad slightly, then slide pad back into table.

To extend footrest...

Pull footrest out to desired position.

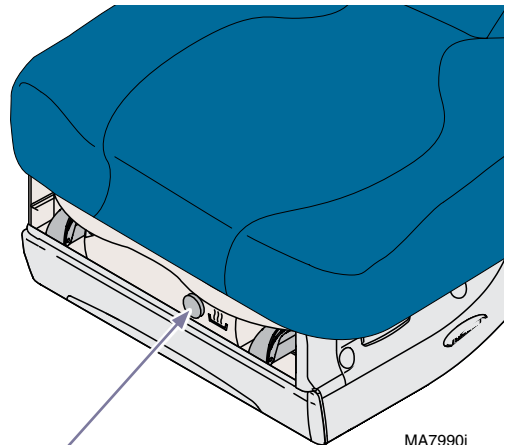
MA7994i

Drawer Heater

The drawer heater warms the contents of the drawer to approximately 98°F (37°C).

To turn the drawer heater ON / OFF...

*Press and release the drawer heater switch.
(Switch will illuminate when heater is ON)*



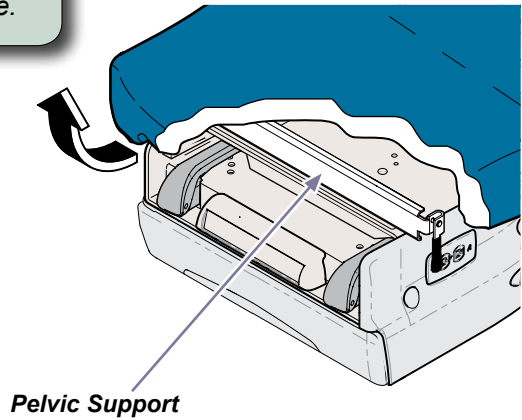
MA7990i

**Drawer Heater
Switch**

Pelvic Tilt

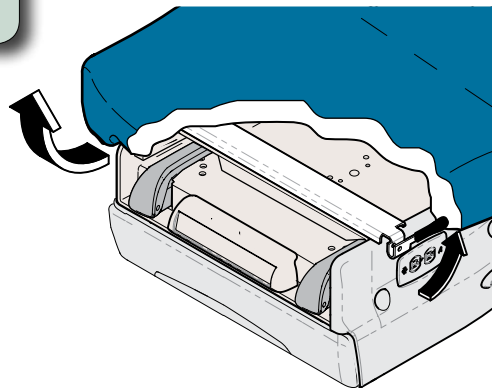
To elevate seat section...

Lift seat until pelvic support drops into place.



To return seat section to flat position...

- A) *Lift seat section slightly.*
- B) *Pivot pelvic support handle upward.*
- C) *Lower seat section.*



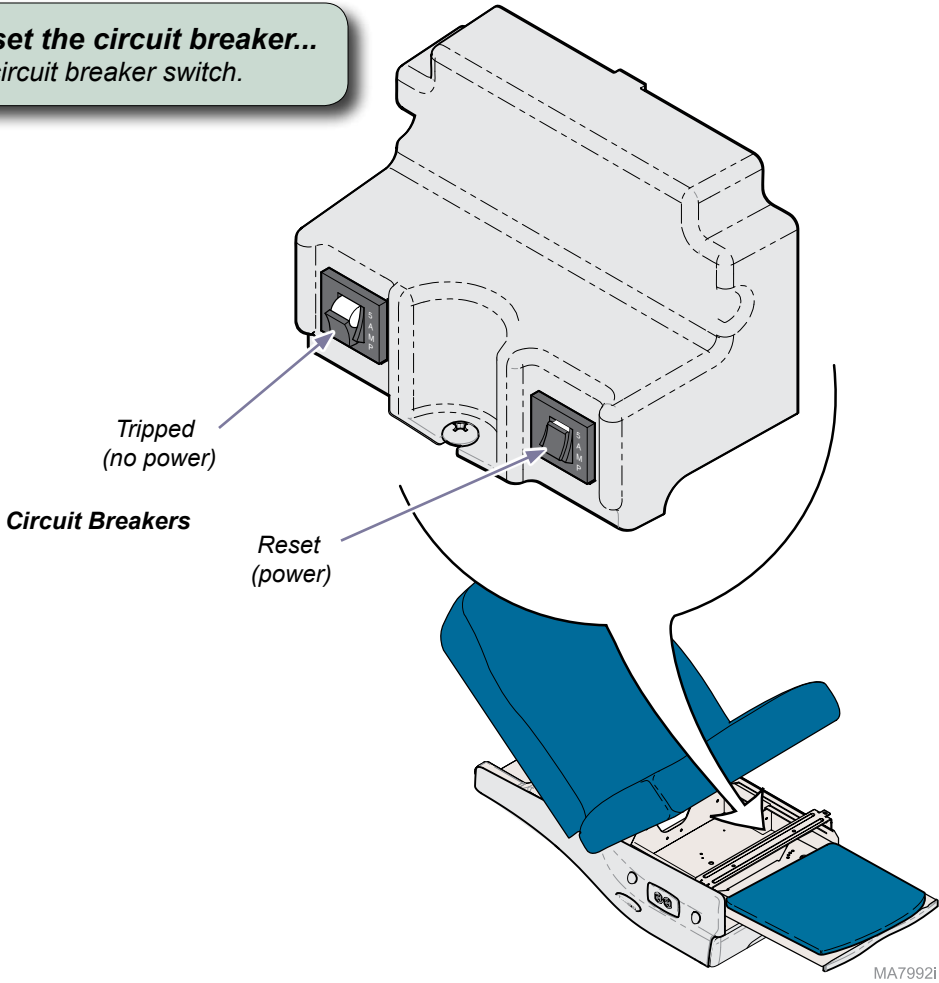
MA7991i

Duplex Receptacles

The duplex receptacles on each side of table provide power for accessories used during medical procedures. There are two circuit breakers located under the seat section. If the receptacles' maximum load is exceeded, the circuit breakers interrupt power to the receptacles.

Maximum Load.....115 VAC, 5 amps

To reset the circuit breaker...
Push circuit breaker switch.



Maintenance

Calling for Service

Note

Model / serial number information is required when calling for service.

If service is required, contact your authorized Midmark dealer.

To contact Midmark directly:

1-800-MIDMARK (1-800-643-6275)

8:00 am until 5:00 pm Monday - Friday (EST) [excluding standard U.S. holidays]

www.midmark.com

Cleaning

Upholstery



Equipment Alert

The upholstery is resistant to most medicinal-type stains, but may be damaged by solvents and dyes. Immediately remove any fluids spilled on the upholstery.

Wash your upholstery weekly with a mild liquid soap and water mixture, rinse with clear water and dry completely to remove disinfection cleaner build-up.

Disinfect your upholstery with a solution of standard bleach and water mixed 1 in 10 (10%) or chlorine based cleaners. Follow this with a clear water rinse and thorough drying of material. See current CDC Guideline for Disinfection & Sterilization in Healthcare Facilities.

To minimize damage caused by disinfectant cleaner residue build-up, do not allow disinfectants to pool on the upholstery surface. Once the approved contact time has been obtained, remove and dry excess liquid remaining on the surface.

Detailed care and maintain instructions are available in your user guide located on the CD that came with your table or by referring to [Upholstery Care and Maintenance](#).

Painted Metal / Plastic Surfaces

Clean the painted metal and plastic surfaces weekly using a clean soft cloth, and mild cleaner. Periodic applications of common furniture wax will ease cleaning, and maintain the finished luster of the surfaces.

Preventative Maintenance

Periodically inspect the following areas:

- Power cord(s) should be free of cuts or other visible damage.
- All fasteners should be in place and tightened securely.
- All mechanical functions should operate properly.

Periodically lubricate the back hinge to maintain quiet, smooth, operation (use light machine oil).

Have an authorized service technician inspect your equipment every six months.

Specifications

Weights, Dimensions, Electrical Specifications

Specifications Chart	
Patient Weight (<i>maximum</i>):	650 lbs (295 kg)
Paper Roll (<i>maximum size</i>):	(See <i>Paper Roll & Tear Strap</i> page)
Range of Motion & Dimensions:	(See <i>Range of Motion & Dimensions</i> page)
Weight of Table: w/upholstery w/packaging & skid (<i>no uph.</i>) Uph. w/packaging (<i>shipped separately</i>)	470 lbs (213 kg) 487 lbs (221 kg) 45 lbs (20 kg)
Power Cord Length:	8 ft. (244 cm)
Electrical Requirements:	(See <i>Regulatory Compliance Charts</i>)
Foot / Hand Control Voltage:	14 VAC, SELV (Safety Extra Low Voltage)
Duplex Receptacles (<i>maximum load</i>)	115 VAC, 5A, 50/60 Hz
Fuses: <i>IEC inlet fuses (2)</i> <i>F1 & F2 (on main PC board):</i> <i>F3 (on main PC board):</i> <i>F4 (on main PC board)</i> <u><i>Models w/ drawer heaters</i></u> <i>distribution board fuses (2)</i>	6.3A, 250V, Type-T, 5 x 20 mm 10A, 250V, Type-T, 5 x 20 mm 160mA, 250V, Type-T, 5 x 20 mm 6.3A, 250V, Type-T, 5 x 20 mm 800mA, 250V, Type-T, 5 x 20mm
Duty Cycle (Motor Run Time):	Intermittent Operation [30 seconds ON / 5 minutes OFF] <i>Continuous Operation</i>
Receptacles, Drawer Heater:	
Classifications:	Class 1, Type B Applied Part
Protection against ingress of fluids:	IPXO [<i>Foot Control only: IPX1</i>]



WARNING

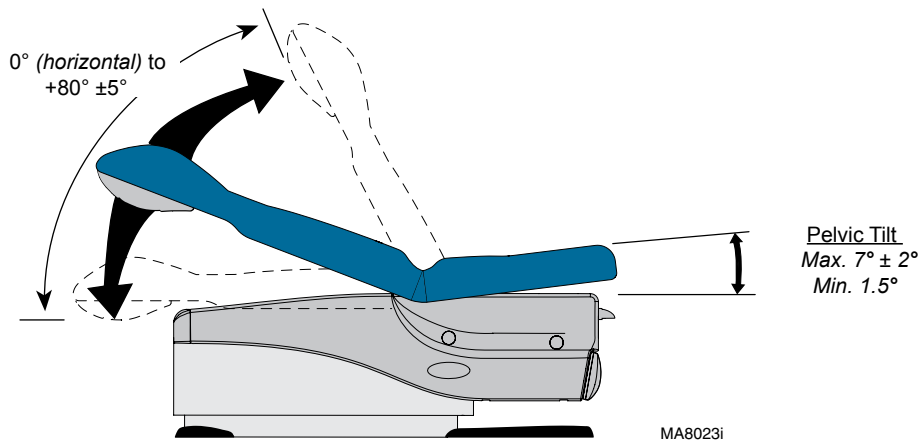
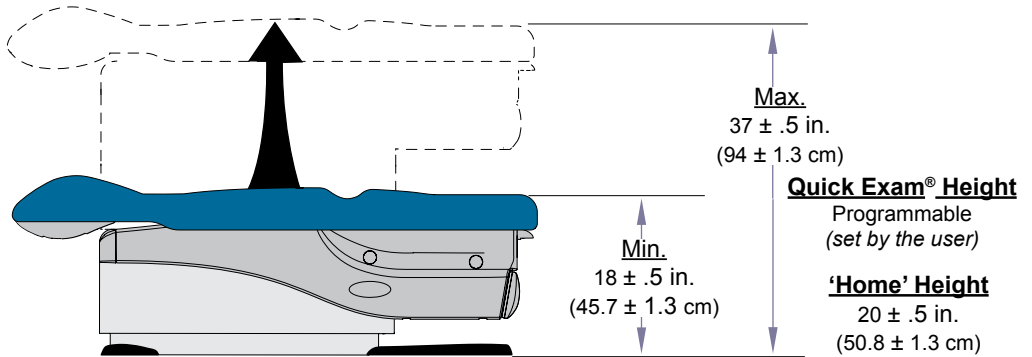
Equipment not suitable for use in the presence of a flammable anesthetic mixture.

Model Identification / Compliance Chart

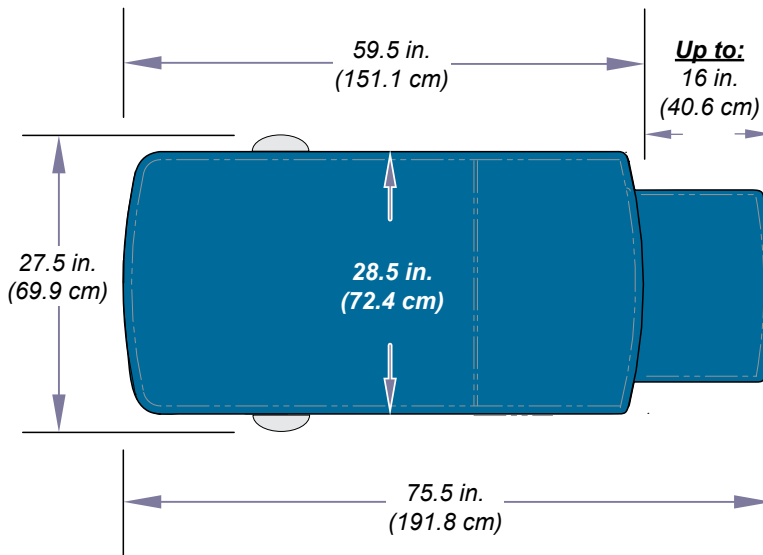
Model	Description	Complies To:					Electrical Ratings:		
		UL 60601-1	CAN / CSA 22.2, #601.1-M90	EN 60601-1	EN 60601-1-2 (EMC)	NFPA 99	VAC +/- 10%	Amps	Cycles (Hz)
625-001	Two-function table (Base / Back), w/ receptacles, pelvic tilt, & drawer heater	•	•		•	•	115	12	50/60
625-003	Two-function table (Base / Back), w/ receptacles, pelvic tilt, drawer heater, & wireless controls	•	•		•	•	115	12	50/60
625-005	Two-function table (Base / Back), w/ pelvic tilt			•	•		230	4	50/60
625-006	Two-function table (Base / Back), w/ pelvic tilt, drawer heater			•	•		230	4.5	50/60

Fire Code Ratings: All upholstery complies with California Bureau of Home Furnishing Technical Bulletin 117 and California Code of Regulations, Sect. 93120-93120.12, Title 17. Optional upholstery is available that complies with California Bureau of Home Furnishing Technical Bulletin 133.

Range of Motion & Dimensions



Range of Motion & Dimensions (continued)



MA8369i

Warranty Information

SCOPE OF WARRANTY

Midmark Corporation ("Midmark") warrants to the original purchaser its new Alternate Care products and components (except for components not warranted under "Exclusions") manufactured by Midmark to be free from defects in material and workmanship under normal use and service. Midmark's obligation under this warranty is limited to the repair or replacement, at Midmark's option, of the parts or the products the defects of which are reported to Midmark within the applicable warranty period and which, upon examination by Midmark, prove to be defective.

APPLICABLE WARRANTY PERIOD

The applicable warranty period, measured from the date of delivery to the original user, shall be one (1) year for all warranted products and components.

EXCLUSIONS

This warranty does not cover and Midmark shall not be liable for the following: (1) repairs and replacements because of misuse, abuse, negligence, alteration, accident, freight damage, or tampering; (2) products which are not installed, used, and properly cleaned as required in the Midmark "Installation" and or "Installation / Operation Manual for this applicable product. (3) products considered to be of a consumable nature; (4) accessories or parts not manufactured by Midmark; (5) charges by anyone for adjustments, repairs, replacement parts, installation, or other work performed upon or in connection with such products which is not expressly authorized in writing in advance by Midmark.

EXCLUSIVE REMEDY

Midmark's only obligation under this warranty is the repair or replacement of defective parts. Midmark shall not be liable for any direct, special, indirect, incidental, exemplary, or consequential damages or delay, including, but not limited to, damages for loss of profits or loss of use.

NO AUTHORIZATION

No person or firm is authorized to create for Midmark any other obligation or liability in connection with the products.

THIS WARRANTY IS MIDMARK'S ONLY WARRANTY AND IS IN LIEU OF ALL OTHER WARRANTIES, EXPRESSED OR IMPLIED. MIDMARK MAKES NO IMPLIED WARRANTIES OF ANY KIND INCLUDING ANY WARRANTIES OF MERCHANTABILITY OR FITNESS FOR ANY PARTICULAR PURPOSE, THIS WARRANTY IS LIMITED TO THE REPAIR OR REPLACEMENT OF DEFECTIVE PARTS.

Notes:

Language of origin: English



Because we care.