

INSTALLATION GUIDE & USER'S MANUAL

PRO-X SERIES

Model: **R130**
R136
R230
R236



Under cabinet Range Hood
For residential use only

READ AND SAVE THESE INSTRUCTIONS

The manufacturer disclaims all liability for any damage or injury caused as a result of not following instructions for installation contained in the following text. The range hood uses 120V/60Hz.

TABLE OF CONTENTS

- Important Safety Note.....3-4
- Parts supplied.....5
- Overall Dimensions Diagram.....5
- Tools needed.....6
- Venting methods.....6
- Mount heights & clearance.....7
- Venting requirements.....7
- Electrical requirements.....8
- Installation.....9-10
- Range hood operations.....11-12
- Troubleshooting.....12
- Use and care information.....13
- Maintenance.....14
- Specifications.....15
- Replacing light bulb.....15
- Warranty & Customer Support.....16

IMPORTANT SAFETY NOTICE:

Read all Instructions before Installing & operating this range hood

1. The installation in this manual is intended for qualified installers, service technicians or persons with similar qualified background. Installation and electrical wiring must be done by qualified professionals and in accordance with all applicable codes and standards, including fire-rated construction.
2. **DO NOT** attempt to install this appliance yourself. Injury could result from installing the unit due to lack of appropriate electrical and technical background.
3. Due to the size and weight of this range hood, two people installation is recommended.
4. Range hood may have very sharp edges; please wear protective gloves if it is necessary to remove any parts for installing, cleaning or servicing.
5. Activating any switch ON before completing installation may cause ignition or an explosion.

WARNING - To reduce the risk of fire, electric shock, or injury to persons:

1. For general ventilating use only. **DO NOT** use to exhaust hazardous or explosive materials and vapors.
2. Ducted fans **MUST** always be vented to the outdoors.
3. Use only metal ductwork.
4. Old duct work should be cleaned or replaced if necessary to avoid the possibility of a grease fire.
5. Check all joints on duct work to insure proper connection and all joints should be properly taped.
6. The combustion air flow needed for safe operation of fuel-burning equipment may be affected by this unit's operation. Follow the heating equipment manufacturer's guideline and safety standards such as those published by the National Fire Protection Association (NFPA), and the American Society of Heating, Refrigeration and Air Conditioning Engineers (ASHRAE), and the local code authorities.
7. Sufficient air is needed for proper combustion and exhausting of gases through the duct to prevent back drafting.
8. Clean grease laden surfaces frequently. To reduce the risk of fire and to disperse air properly, make sure to vent air outside. **DO NOT** vent exhaust into spaces between walls, crawl spaces, ceiling, attics or garages.
9. When cutting or drilling into wall or ceiling, be careful not to damage electrical wiring or other hidden utilities.
10. All electrical wiring must be properly installed, insulated and grounded.
11. Before servicing or cleaning unit, switch power OFF at service panel and lock service panel to prevent power from being switched ON accidentally.
12. Use this unit only in the manner intended by the manufacturer. If you have questions, contact the vendor.

WARNING - To reduce the risk of a stove top grease fire:

1. Always turn range hood ON when cooking at high heat or when cooking flaming foods.
2. Use high settings on cooking range only when necessary.
3. Never leave surface units unattended at high settings. Boil over cause smoking and greasy spillovers that may ignite. Heat oils slowly on low or medium settings.
4. Keep all fan, baffle, spaces, filter, grease tunnel, oil container and grease-laden surfaces clean. Grease should not be allowed to accumulate on fan, baffle, spaces, filter, grease tunnel and oil container.
5. Clean ventilating fan frequently.
6. Always use appropriate cookware and utensils size.
7. Always use cookware appropriate for the size of the surface element.

WARNING - To reduce the risk of injury to persons in the event of a stove top grease fire:

1. **SMOTHER FLAMES** with a close-fitting lid, cookie sheet, or metal tray, then turn OFF the burner. **BE CAREFUL TO PREVENT BURNS. NEVER PICK UP A FLAMING PAN**—you may be burned. **KEEP FLAMMABLE OR COMBUSTIBLE MATERIAL AWAY FROM FLAMES.** If the flames **DO NOT** go out immediately, **EVACUATE AND CALL THE FIRE DEPARTMENT** or dial your local emergency service immediately.

IMPORTANT SAFETY NOTICE: Continue

2. DO NOT USE WATER, including wet dishcloths or towels — a violent steam explosion will result.
3. Use an extinguisher ONLY if:
 - You know you have a Class A, B, C extinguisher, and you already know how to operate it.
 - The fire is small and contained in the area where it is started.
 - The fire department is being called.
 - You can fight the fire with your back to an exit.

WARNING - To reduce the risk of injury to persons in the event of a gas leak:

1. Extinguish any open flame.
2. DO NOT turn on the range hood fan or any type of ventilator.
3. DO NOT turn on the lights or any type of appliance.
4. Open all doors and windows to disperse the gas. If you still smell gas, call the gas company and fire department, or dial your local emergency service immediately.

Your safety and the safety of others are very important. We have provided many important safety messages in this manual and on your appliance. Always read and obey all safety messages. All safety messages will tell you what the potential hazard is, ~~tell you~~ how to reduce the chance of injury, and ~~tell you~~ what can happen if the instructions are not followed.

This is the safety alert symbol. This symbol alerts you to potential hazards that can hurt you and others. All safety messages will follow the safety alert symbol and the word “WARNING”.

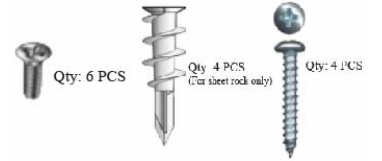
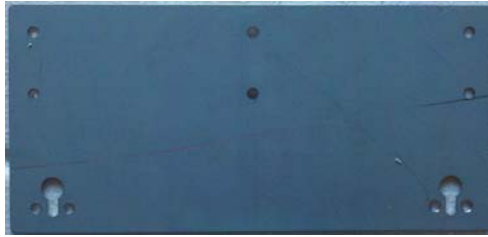
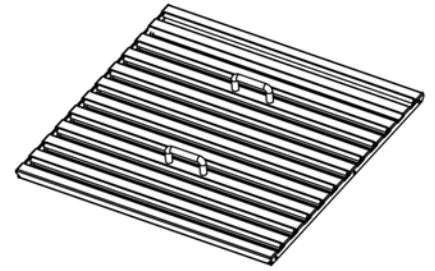


The manufacturer and/or distributor/reseller decline all responsibility in the event of failure to observe the instructions provided for installation, maintenance and suitable use of the product.

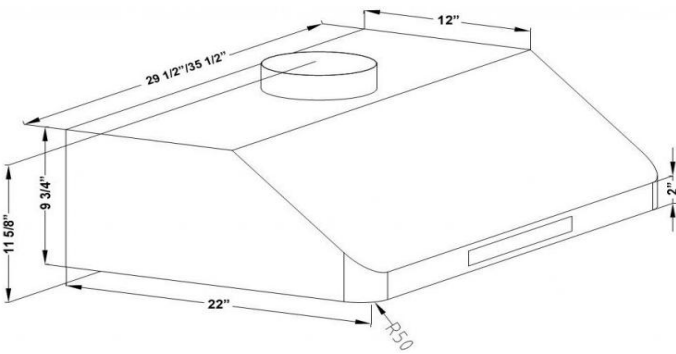
The manufacturer and/or distributor/reseller shall NOT be responsible for any injury due to negligence and the warranty of the unit shall automatically be voided due to failure to observe proper safety and installation procedures.

The manufacturer and/or distributor/reseller will not be held responsible for any damages to personal property or real estate or any bodily injuries whether caused directly or indirectly by the range hood.

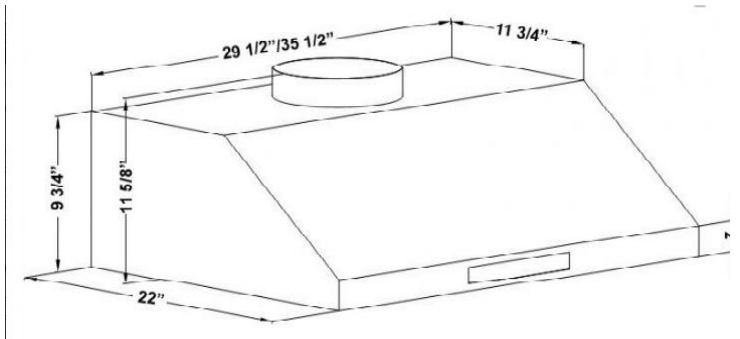
PART SUPPLIED:



OVERALL DIMENSIONS:



Model: R0130 /R0236

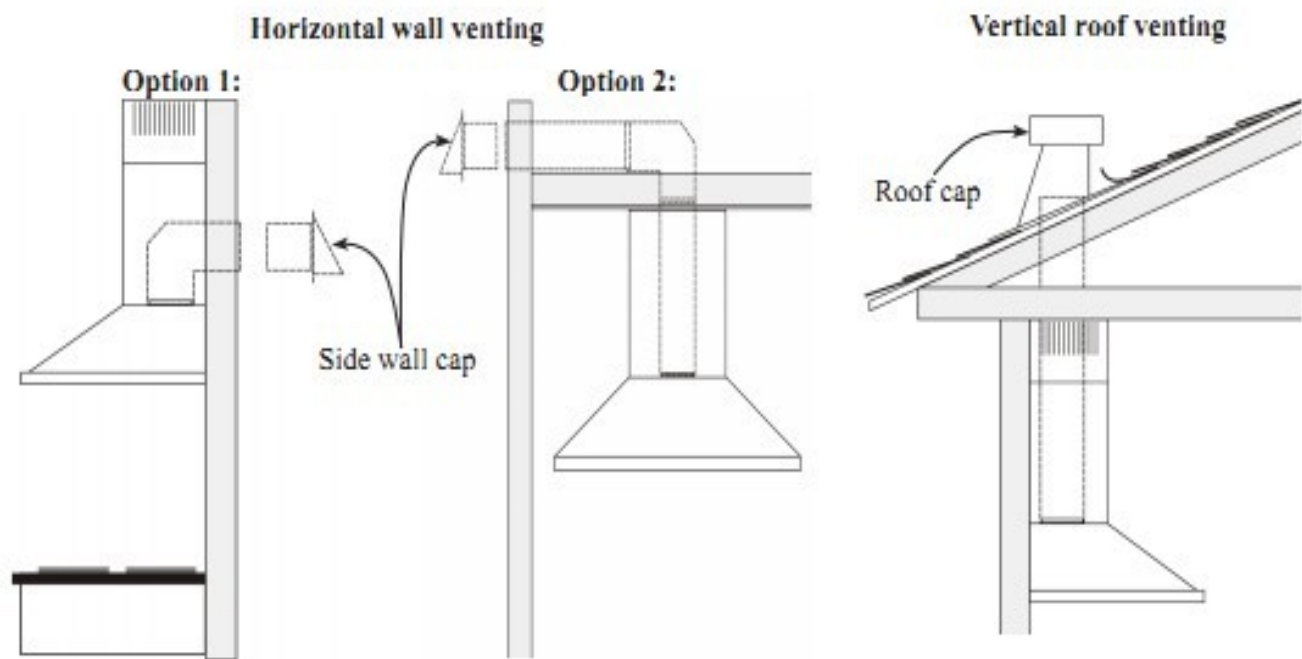


Model: R0230 / R0236

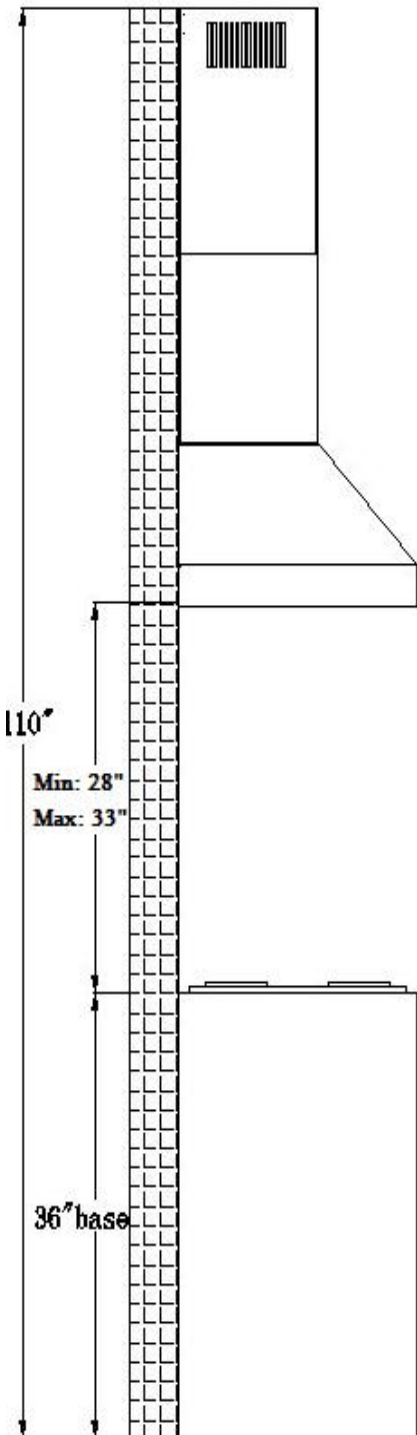
TOOLS NEED FOR INSTALLATION:

1. Marker or pencil
2. Level
3. Measuring tape
4. Powered screwdriver or drill
5. Flat & Phillips screwdrivers
6. Utility knife

VENTING METHODS



HEIGHT & CLEARANCE



VENTING REQUIREMENT

IMPORTANT:

- NEVER exhaust air or terminate duct work into spaces between walls, crawl spaces, ceiling, attics or garages. **All exhaust must be ducted to the outside.**
- Hood mounted too low could result in heat damage and fire hazard; while hoods mounted too high will be hard to reach and will lose its performance and efficiency.
- **Use metal/aluminum duct work only.**
- A minimum of 6" round (standard for this range hood) or 3-1/4 x 10" rectangular duct (purchased separately, adaptor, not supplied)) must be used to maintain maximum airflow efficiency
- **DO NOT use plastic vent.**
- **DO NOT use 4" (10.2 cm) laundry-type wall caps**
- Fasten all connections with sheet metal screws and tape all joints with certified Silver Tape or Duct Tape.
- Use caulking to seal exterior wall or roof opening around the cap. **Vent system must terminate to the outside (roof or side wall).**

For the most efficient & quiet operation:

- A distance of 28" to 33" is recommended* between stove top and the bottom of range hood.
- It is recommended that the range hood be vented vertically through the roof through 6" or bigger vent work.
- ALWAYS, when possible, reduce the number of transitions and turns. If long duct run is required, increase duct size from 6" to 7" or 8". If a reducer is used, install a long reducer instead of a pancake reducer. Reducing duct size will restrict airflow and decrease airflow, thus reduce duct size as far away from opening as possible.
- If turns or transitions are required: Install as far away from opening and as far apart, between 2, as possible.
- If available, also refer to stove top manufacturer's height clearance requirements and recommended hood mounting height above range.
- The size of the vent should be uniform.
- **Use no more than three 90° elbows.**
- Make sure there is a minimum of 24" (61 cm) of straight vent between the elbows if more than one elbow is used.
- DO NOT install two elbows together.
- The vent system must have a damper. If roof or wall cap has a damper, DO NOT use damper (if supplied) on top of the range hood.

ELECTRICAL REQUIREMENTS:

IMPORTANT: Observe all governing building codes and city ordinances.
(Please consult with a qualified electrician for 220-Volt 50 Hz voltage)

It is the customer's responsibility:

- To contact a qualified electrical installer.
- To assure that the electrical installation is adequate and in conformance with National Electrical Code, ANSI/ NFPA 70 — latest edition*, or CSA Standards C22. 1-94, Canadian Electrical Code, Part 1 and C22. 2 No. 0-M91 - latest edition** and all local codes and ordinances.

-If codes permit and a separate ground wire is used, it is recommended that a qualified electrician determine that the ground path is adequate.

-A 120-Volt, 60 Hz, AC-only, fused electrical supply is required on a separate 15-amp circuit, fused on both sides of the line.

IMPORTANT: Save this Installation Guide for electrical inspector's use.

- **DO NOT** ground to a gas pipe.
- Check with a qualified electrician if you are not sure that the range hood is properly grounded.
- **DO NOT** has a fuse in the neutral or ground circuit.
- **The range hood must be connected with copper wire/plug only.**
- The range hood should be connected directly to the fused disconnect (or circuit breaker) box through flexible armored or non-metallic sheathed copper cable. A U.L. - or C.S.A. - listed strain relief must be provided at each end of the power supply cable.
- Wire sizes (copper wire only) and connections must conform to the rating of the appliance as specified on the model/serial rating label. Wire sizes must conform to the requirements of the National Electrical Code ANSI/NFPA 70 — latest edition*, or CSA Standards C22. 1-94, Canadian Electrical Code Part 1 and C22. 2 No. 0-M91 - latest edition** and all local codes and ordinances. A U.L. - or C.S.A. - listed conduit connector must be provided at each end of the power supply cable (at the range hood and at the junction box).

INSTALLATION:

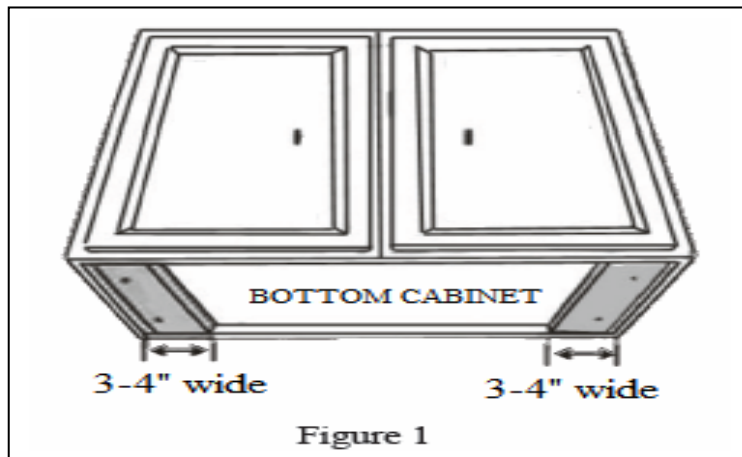


NOTE: Use threaded drywall anchors only when mounting the hood on sheet rock. Mounting the hood on wall studs or lumbers is highly recommended.

CAUTION: Make certain the range hood is secure before releasing!

You can mount this range hood with or without mounting bracket. However, mounting without mounting-bracket is recommended it.

1. Put a thick, protective covering over counter top, cook top or range to protect from damage or dirt. Remove any hazardous objects around the area when installing.
2. Create access opening for electrical wires and hood exhaust under the cabinet.
3. For installing under the cabinet with recessed bottom, attach 4-inch wide wood filler strips (not provided) on each side. Refer to below figure.



4. Using references in Height & Clearance on Page 7 and Measurements and Diagrams on Page 5 center the hood beneath the cabinet and flush with the front of the cabinet.
5. From inside of the hood, place screws into the exact center of each knockout hole and secure to cabinet bottom. Finish tightening all screws until secure. Be careful when using electrical screwdriver, damage to the range hood may occur.
6. For safety purpose, pre-drilled mounting holes are provided through the back of the hood. For a more secure installation, use as many mounting holes as needed to secure from the inside of hood.
7. Use 8" round steel pipe (follow building codes in your area) to connect the exhaust on the hood to the ductwork above. Use silver tape or duct tape to make all joints secure and air tight.

SAFETY WARNING: Risk of electrical shock. This range hood must be properly grounded. Make sure this is done by qualified electrician in accordance with all applicable national and local electrical codes. Before connecting wires, switch power off at service panel and lock service panel to prevent power from being switched on accidentally.

OIL TUNNEL & BAFFLE FILTER INSTALLATION:

1. **TUNNEL:** Drop oil tunnel into recess support near rear of hood. Refer to below figure

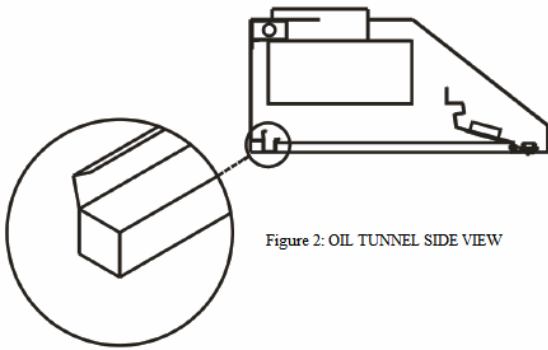
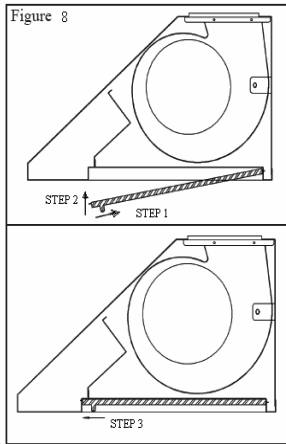


Figure 2: OIL TUNNEL SIDE VIEW

2. BAFFLE:

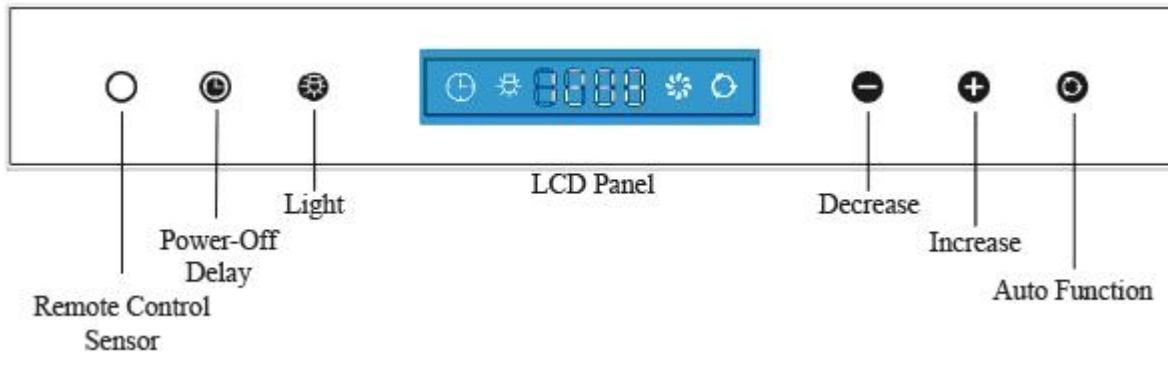


Install baffle filters; refer to Figure on the left for the following three steps:

1. Angle baffle filter toward back of hood.
2. Push baffle filter up almost horizontal level.
3. Slide forward into slot behind the front of hood.

To remove the baffle, please reverse the process.

RANGE HOOD OPERATION



Note: This range hood is equipped with remote control and smoke sensor that will self-calibrate within 5 seconds when the range hood is first electrically activated. Self-calibration will be set when the range hood beeps. LCD panel will turn off automatically after a period of inactivity.

A. Activating Normal Blower Function:



- While the range hood is off, press *Increase* or *Decrease* button to start the blower.
- NOTE: Press (-) or (+) button to increase or decrease blower speed as indicated in LCD panel.
- 00 = blower off
 - F1 = quiet speed
 - F2 = low speed
 - F3 = medium speed
 - F4 = high speed

B. Activating Light Function:



- Press *Light* button to turn the lights on or off.

C. Activating Power-Off Delay Function:



1. While the range hood is on and the blower is running in normal mode, press *Power-Off Delay* button to activate delay off timer.
2. Adjust to desired period of delay off timer by pressing (-) or (+) button (1-15 minutes). Timer begins to countdown immediately, when it reaches 0, the blower will shut off.

D. Activating Smoke Detector Function:



- While the machine is off, press *Auto Function* button to activate the smoke detector auto function mode
- NOTE: this function is only work when there's a lot of smoke.

E. Remote Control Sensor:



NOTE:

1. Remote control sensor receives infrared (IR) signal from the remote control. The maximum distance for IR data transmission is 3 meter and requires direct line of sight. The transmission distance may vary depending on temperature and remote control battery condition.

1. *Light settings are independent from other settings (including power-off delay) and lights have to be manually turned on or off.*
2. *The system saves user configurations, settings such as light, timer and blower (motor) speed will remain the same the next time it is turned on.*

TROUBLE SHOOTING

1. If the range hood or lights does not operate after installation:

- Check if the range hood has been plugged in, make sure that all power has been turned back ON, the fuse is not blown and all electrical wiring is properly connected.
- Swap out light assembly to working ones to determine whether it is caused by defective bulbs. See *replacing the light bulbs* on Page 17.

2. The range hood vibrates when the blower is on:

- The range hood might not have been secured properly on to the ceiling or wall.
- Check if the motor is secured in place. If not, then tighten the motor in place.
- Check if the blower wheel is a damaged.

3. The blower or fan seems weak:

- Check that the duct sized used is at least 6" or 3-1/4 x 10". Range hood WILL NOT function efficiently with insufficient duct size. For example: 7" duct over 6" hole and loosely secured.
- Check if duct is clogged or if damper unit (half-circular flapper) is not installed correctly or opening properly. A tight mesh on a side wall cap unit might also cause restriction to the air flow.

4. The lights work but the blower is not spinning at all, is stuck or is rattling.

- The blower might be jammed or scraping the bottom due to shipping damage. Please contact us immediately.
- The motor is defective, possibly seized - change the motor.

5. The hood is not venting out properly:

- Make sure the distance between the stove top and the bottom of the hood is within 27" and 33" in distance. *Due to different ceiling height configurations, recommended height may not be applicable.*
- Reduce the number of elbows and length of duct work. Check if all joints are properly connected, sealed, and taped.
- Make sure the power is on high speed for heavy cooking.

USE & CARE INFORMATION:

Operations:

- Read and understand all instructions and warnings in this manual before operating the appliance. Save these instructions for future reference.
- Always leave safety grills and filters in place. Without these components, operating blowers could catch on to • hair, fingers and loose clothing.
- NEVER dispose cigarette ashes, ignitable substances, or any foreign objects into blowers.
- NEVER leave cooking unattended. When frying, oil in the pan can easily overheat and catch fire. The risk of self combustion is higher when the oil has been used several times.
- NEVER cook on “open” flames under the range hood. Check deep-fryers during use: Superheated oil may be flammable.
-

Cleaning:

- The saturation of greasy residue in the blower and filters may cause increased inflammability. Keep unit clean and free of grease and residue build-up at all times to prevent possible fires.
- **FILTERS MUST BE CLEANED PERIODICALLY AND FREE FROM ACCUMULATION OF COOKING RESIDUE (see cleaning instructions on Page 15). Old and worn filters must be replaced immediately.**
- DO NOT operate blowers when filters are removed. Never disassemble parts to clean without proper instructions. Disassembly is recommended to be performed by qualified personnel only. Read and understand all instructions and warnings in this manual before proceeding.

MAINTENANCE:

SAFETY WARNING: Never put your hand into area housing the fan while the fan is operating!

For optimal operation, clean range hood and all baffle/spacer/filter/grease tunnel/oil container regularly. Regular care will help preserve the appearance of the range hood.

Cleaning Exterior surfaces:

- Clean periodically with hot soapy water and clean cotton cloth. **Do not use corrosive or abrasive detergent (e.g. Comet Power Scrub[®], EZ-Off[®] oven cleaner), or steel wool/scoring pads, which will scratch and damage the stainless steel surface.** For heavier soil use liquid degrease such as “Formula 409[®]” or “Fantastic[®]” brand cleaner.
- If hood looks splotchy (stainless steel hood), use a stainless steel cleaner to clean the surface of the hood. Avoid getting cleaning solution onto or into the control panel. Follow directions of the stainless steel cleaner. **CAUTION:** Do not leave on too long as this may cause damage to hood finish. Use soft towel to wipe off the cleaning solution, gently rub off any stubborn spots. Use dry soft towel to dry the hood.
- After cleaning, you may use non abrasive stainless steel polish such as 3M[®] or ZEP[®], to polish and buff out the stainless luster and grain. Always scrub lightly, with clean cotton cloth, and with the grain.
- **DO NOT** allow deposits to accumulate or remain on the hood.
- **DO NOT** use ordinary steel wool or steel brushes. Small bits of steel may adhere to the surface and cause rusting.
- **DO NOT** allow salt solutions, disinfectants, bleaches, or cleaning compounds to remain in contact with stainless steel • for extended periods. Many of these compounds contain chemicals, which may be harmful. Rinse with water after exposure and wipe dry with a clean cloth.

Cleaning Aluminum Grease Filter / Stainless Steel Filter less Grill:

IMPORTANT: Drain oil from oil containers before oil and residue overflow!

- The metal filters fitted by the factory are intended to filter out residue and grease from cooking. It need not be replaced on a regular basis but are required to be kept clean.
- Filters should be cleaned after every 30 hours of use.
- Remove and clean by hand or dishwasher. Spray “Formula 409[®]” or equivalent degreasing detergent and leave to soak if heavily soiled. Dry filters and re-install before using hood.

Replacing Filters:

- Should filters wear out due to age and prolonged use, please contact your local reseller for replacement filters.

Note: Also replace damaged filter that has punctured or broken mesh, bent or broken frame.

Replacing the light bulb:

- This range hood uses LED 2w bulb (please refer to the actual specification of the hood purchased): •

USA/Canada: LED 2 WATTS

Make sure the range hood is unplugged or turn OFF breaker.

Make sure the lights are cool to touch, carefully align the arrow on the inner ring with the arrow on the outer ring where says OPEN. The inner ring will loosen and the light bulb will be available for removal. Install a new halogen light bulb and reverse the steps.

Turn ON breaker and range hood to test for operation.

SPECIFICATION

Body Design	Seamless Stainless Steel, Satin Finish
Power Rating	120V/60Hz (USA & Canada standard)
General Input Power	264 W (150W + 2x2W)
Motor Input Power	260 W
Ampere	3.0 A
Levels Of Speed Control	4 Levels
Airflow	(Q/L/M/H) 280CFM / 460CFM / 670CFM / 900CFM
Noise Level	(Q/L/M/H) 1.2Sone(43dB) / 2.8Sone(55dB) / 5.0Sone(63dB) / 7.0Sone(68dB)
Number Of Motors	Twp Motor
Motor Type	Single Chamber Ultra Quiet
Fan Type	Centrifugal Squirrel Cage
Filtration Type	Stainless Steel Baffle Filter
Illumination	LED light, 2W Maximum
Venting Size	Top, 8 inches Round
Interference Protection	Radio Frequency Interference Protected

NOTE: Specification subject to change without notice, please contact your local reseller for details.

REPLACING THE LIGHT BULB:

1. Make sure the range hood is unplugged or turn OFF breaker.
2. Use the small flat crew driver to lift any where around the outsider ring as show in below picture Arrow.
3. Install new light bulb
4. Put back the light set by press it in.
5. Turn ON breaker and range hood to test for operation.

NOTE: Make sure the lights are cool to touch.





XtremeAir Hood Five (10) Years Motor Limited Warranty

XtremeAir USA LLC (hereunder called “The Company”) provides a warranty that its products are free from defects in workmanship and materials for a period of two (2) year from the date of original purchase. During that time period, The Company will, at no charge, replace at the Company’s option only, any parts or complete unit found to be defective. The replacement parts or new unit will be covered by limited warranty for the balance of the two years period from the date of the original purchase. Further, the warranty for the motor extends for an additional (8) years **(total of three (10) years)**.

This warranty is not transferable. This warranty does not apply to light bulbs, ducts roof caps, other accessories for ducting, defects resulting from damages sustained during shipping, unauthorized repair, neglect, misuse, incorrect installation, failure to follow instructions for care and maintenance for the product, attempts to alter or modify the function of part or the complete assembly, acts of God, or any other circumstances beyond the control of The Company. The warranty does not include normal maintenance and service. The Warranty does not cover the costs of removal, installation. In the event of a products replacement or return, the unit must be returned transportation prepaid. The repaired or new model will be returned at the company expense.

The warranty on your XtremeAir hood begins on the date of original purchase. Please complete the Product Registration Card and return it with the dated bill of sale or other evidence of the original proof of purchase within 30 days from purchase of the product to address shown in "contact us". Or register at www.XtremeAirUsa.com/Warranty

For warranty services / repair or any other inquiry:

CONTACT US: **XtremeAir USA, LLC**, 309 N. Harbor blvd., Santa Ana, CA 92703, USA
Tel: 714 554 9000
Email: Support@XtremeAirUSA.com
Website: www.XtremeAirUsa.com

DISCLAIMERS

XtremeAir USA LLC shall not be responsible for loss of use or other incidental consequential costs, expenses or damages which may occur. Under no circumstances shall XtremeAir USA LLC or any of its representatives be held liable for injury to any person or damage to any property, however arising. This warranty gives you specific legal rights, and you may have other rights which vary from state to state.

All rights reserved to XtremeAir USA LLC