

**LIST OF PARTS  
SEWING MACHINE SERIES**

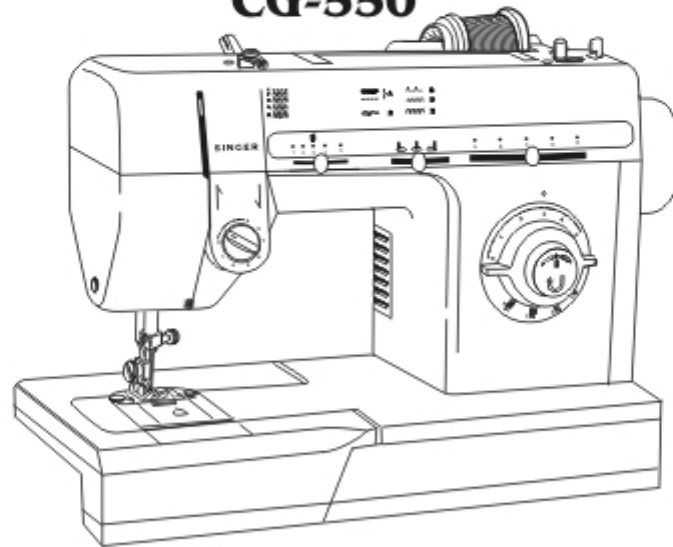
**HD 102**

**HD 105**

**HD 110**

**CG-500**

**CG-550**



THE SINGER COMPANY  
© 2004 SINGER DO BRASIL  
ALL RIGHTS RESERVED

**SINGER®**  
At Home Worldwide

PRINTED IN BRAZIL  
P/N 358419-001  
AUG./04

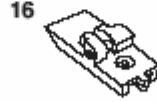
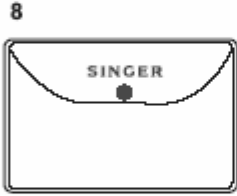
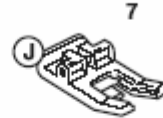
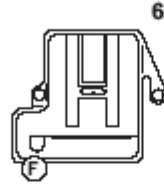
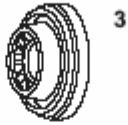


## ***SUB-ASSEMBLY***

<b><i>PAGES REF.</i></b>	<b><i>DESCRIPTION</i></b>
01 - 02	ATTACHMENT SET
03 - 04	ARM, BED, THROAT PLATE & BED SLIDE
05 - 06	ARM TOP COVER
07 - 08	COVERS & ADD-ONS
09 - 15	NEEDLE BAR, PRESSER BAR, AUTOMATIC NEEDLE THREADER & THREAD TAKE-UP
16 - 17	ARM SHAFT DRIVE
18 - 19	HAND WHEEL
20 - 21	TENSION MECHANISM
22 - 23	HOOK SYSTEM
24 - 25	BIGHT AMPLITUDE
26 - 29	NEEDLE POSITION
30 - 31	DISC SELECTOR ASSEMBLY
32 - 33	CAM STACK
34 - 35	FEED REGULATOR CAM
36 - 37	BUTTONHOLER & FEED REGULATOR CAM
38 - 39	CAM CONTROLLED FEED
40 - 41	FEED SYSTEM
42- 43	OPTIONS
44-45	ELECTRICAL EQUIPMENT

ATTACHMENT SET

1

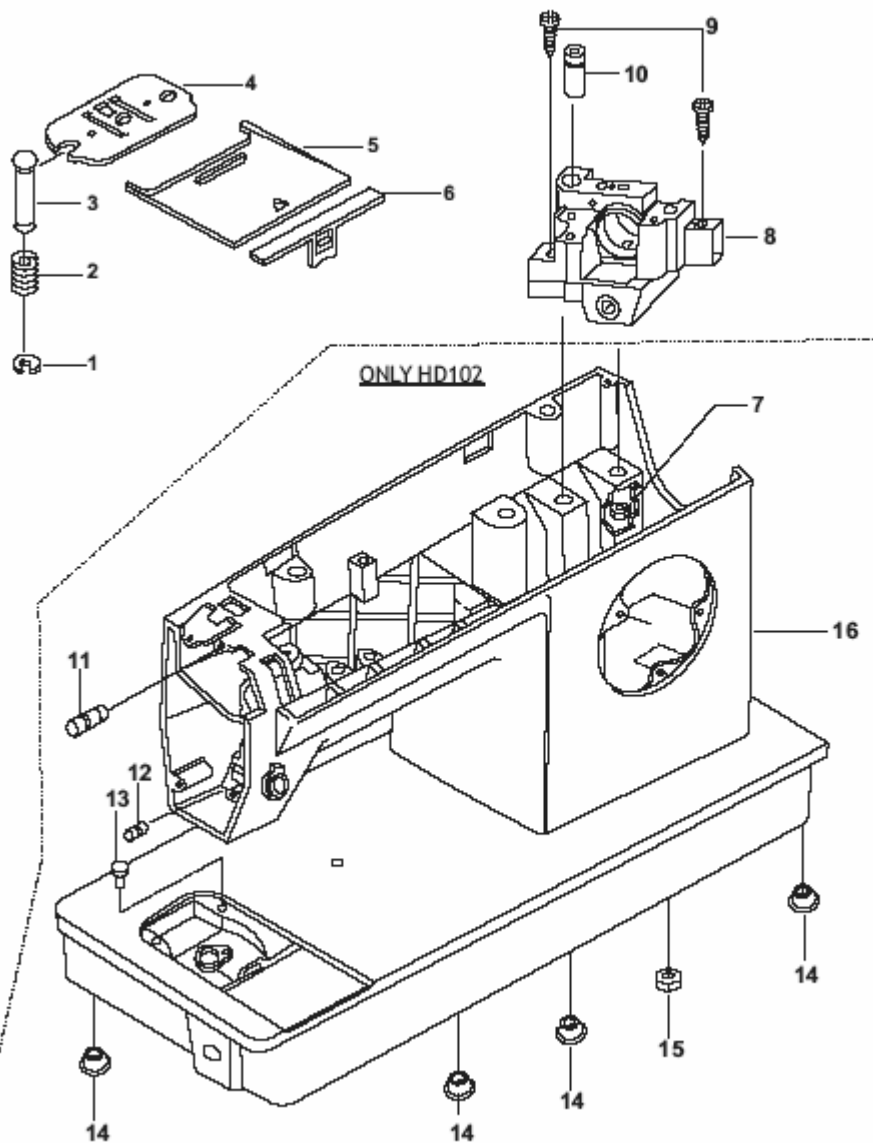
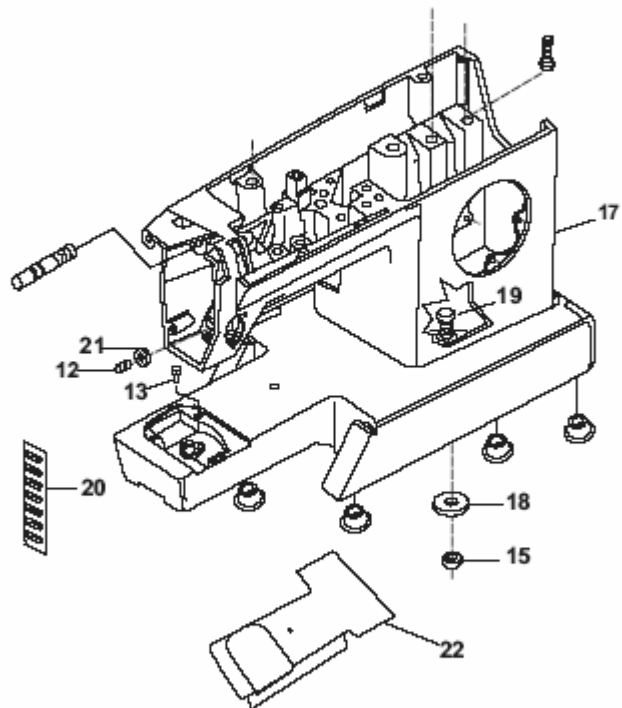


REV.: \_\_\_\_\_  
DATE: \_\_\_\_\_

## ATTACHMENT SET

<i>REF.</i>	<i>PART NUMBER</i>	<i>DESCRIPTION</i>	<i>H D 1 0 2</i>	<i>H D 1 0 5</i>	<i>H D 1 1 0</i>	<i>C G 5 0 0</i>	<i>C G 5 0 0</i>
1	358393-006	ATTACHMENT SET COMPLETE				X	X
1	358386-001	ATTACHMENT SET COMPLETE	X	-	-		
1	358393-001	ATTACHMENT SET COMPLETE	-	X	-		
1	358393-002	ATTACHMENT SET COMPLETE			X		
2	179967464	SPOOL PIN HOLDER (SMALL) - CINZA				X	X
2	179967-463	SPOOL PIN HOLDER (SMALL) - CINZA	X	X	X		
3	507664-470	ARM TOP COVER SPOOL PIN THREAD LEAD-OFF LARGE (PLASTIC) CINZA				X	X
3	507664-469	ARM TOP COVER SPOOL PIN THREAD LEAD-OFF LARGE (PLASTIC) CII	X	X	X		
4	172336-000BUY	BOBBIN (PLASTIC)	X	X	X	X	X
5	353364-000	NEEDLE PACK (N2020 SIZE 11/14/16 & N2045 SIZE 11/14)	-	X	X	X	X
6	313117-000BUY	FEED COVER PLATE (PLASTIC)	X	X	X	X	X
7	446492-000	SPECIAL PURPOSE PRESSER FOOT PLATE (SNAP-ON)	-	X	X	X	X
8	358286-451	ACESSORY STORAGE	X	X	X	X	X
9	161927-000	BUTTONHOLE PRESSER FOOT				X	X
9	161927-451BUY	BUTTONHOLE PRESSER FOOT	-	X	X		
10	507836-000BUY	ZIPPER FOOT	-	X	X	X	X
11	356630-000BUY	BLINDSTITCH HEM PRESSER FOOT	-	X	X	X	X
12	8879-656	FELT	-	-	X		
13	356942-455	SPOOL PIN	-	-	X		
14	531868-000	TWIN NEEDLE	-	-	X		
15	358183-000	1/4 INCH FOOT	-	-	X		
16	358174-000	INVISIBLE ZIPPER FOOT	-	-	X		

# ARM, BED, THROAT PLATE & BED SLIDE

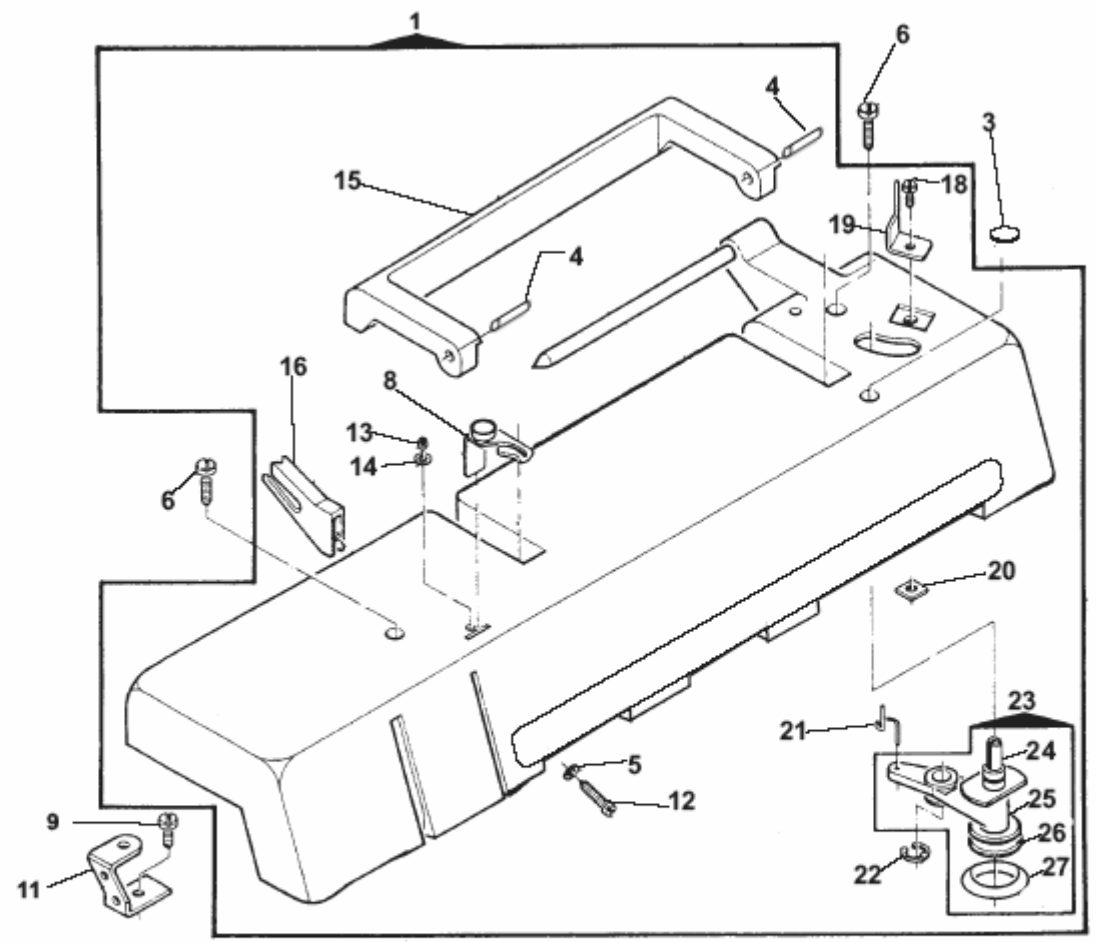
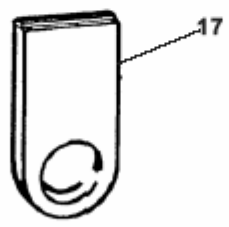


REV.: \_\_\_\_\_  
 DATE: \_\_\_\_\_

**ARM, BED, THROAT PLATE & BED SLIDE**

REF.	PART NUMBER	DESCRIPTION	H	H	H	C	C
			D	D	D	G	G
			1	1	1	5	5
			0	0	1	0	5
			2	5	0	0	0
1	179926-000	THROAT PLATE CLAMP SPRING RETAINING RING	X	X	X	X	X
2	357611-000	THROAT PLATE CLAMP SPRING	X	X	X	X	X
3	353597-000	THROAT PLATE CLAMP	X	X	X	X	X
4	356713-000	THROAT PLATE FOR ZIG-ZAG SEWING	X	X	X	-	X
5	446482-000	BED SLIDE SPRING	X	X	X	-	X
6	356715-000	BED SLIDE PLATE	X	X	X	X	X
7	357020-451	ARM SHAFT (REAR) HOUSING MOUNTING SCREW	X	X	X	X	X
8	357017-002	ARM SHAFT (REAR) HOUSING ASSEMBLY	X	X	X	X	X
9	113455-006	ARM SHAFT (REAR) HOUSING MOUNTING SCREW	X	X	X	X	X
10	357019-000	ARM TOP COVER MOUNTING STUD	X	X	X	X	X
11	446375-000	THREAD TAKE-UP LEVER LINK HINGE STUD	X	X	X	X	X
12	357438-001	TENSION RELEASING LEVER HINGE PIN	X	X	X	X	X
13	353624-000	THROAT PLATE POSITION PIN (PLASTIC)	X	X	X	X	X
14	359190-900	BED CUSHION	X	X	X	X	-
15	514608-000	BED (BOTTOM) COVER & CABINET BOLT NUT	X	X	X	X	X
16	179978-470	ARM & BED GRAY	X	-	-	X	-
17	356070-465	ARM & BED GRAY	-	X	X	X	X
18	353375-451	BED (BOTTOM) COVER & CABINET BOLT WASHER	X	X	X	-	X
19	355250-451	BED (BOTTOM) COVER & CABINET BOLT	X	X	X	X	X
20	353360-452	ARM INSERT (MOTOR VENT GRILL)	X	X	X	-	X
21	357464-002	TENSION RELEASING LEVER HINGE PIN WASHER	X	X	X	X	X
22	359172-451	BED EXTENSIBLE THROAT PLATE	X	X	X	-	X

ARM TOP COVER



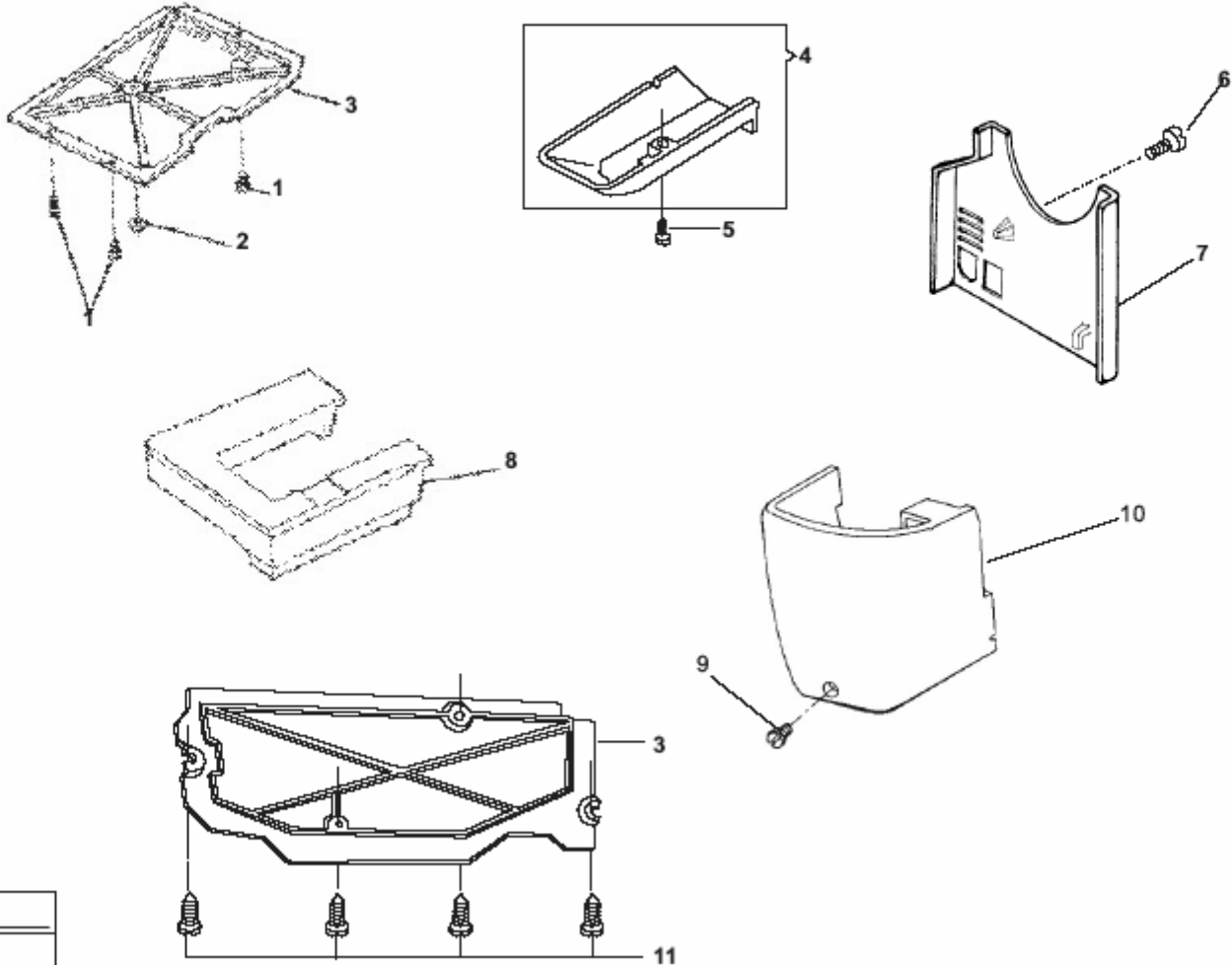
REV: \_\_\_\_\_  
DATE: \_\_\_\_\_



**ARM TOP COVER**

<b>REF.</b>	<b>PART NUMBER</b>	<b>DESCRIPTION</b>	<b>H D 1 0 2</b>	<b>H D 1 0 5</b>	<b>H D 1 0 0</b>	<b>C G 5 0 0</b>	<b>C G 5 0 0</b>
1	358390-002	ARM TOP COVER COMPLETE	-	-	-	-	-
1	358391002	ARM TOP COVER COMPLETE	-	-	-	X	-
1	358389-001	ARM TOP COVER COMPLETE	X	-	-	-	X
1	358390-001	ARM TOP COVER COMPLETE	-	X	-	-	-
1	358391-001	ARM TOP COVER COMPLETE	-	-	X	-	-
2	507664-470	ARM TOP COVER SPOOL PIN THREAD LEAD-OFF	-	-	-	X	X
2	507664-469	ARM TOP COVER SPOOL PIN THREAD LEAD-OFF	X	X	X	X	X
3	357600-001	ARM TOP COVER PLUGGED HOLE RESIN	X	X	X	X	X
4	357325-900	ARM TOP COVER MACHINE HANDLE HINGE PIN	X	X	X	X	X
5	446138-000	ARM TOP COVER THREAD GUIDE SCREW WASHER	X	X	X	X	X
6	354975-451	ARM TOP COVER SCREW	X	X	X	X	X
8	356047-000	BOBBIN WINDER TENSION COMPLETE	X	X	X	X	X
9	354826-451	ARM TOP COVER MOUNTING BRACKET SCREW	X	X	X	X	X
11	531765-000	ARM TOP COVER BRACKET (LEFT)	X	X	X	X	X
12	356116-451	ARM TOP COVER THREAD GUIDE SCREW	X	X	X	X	X
13	141936-833	BOBBIN WINDER TENSION BRACKET ADJUSTING SCREW	X	X	X	X	X
14	44794-000	BOBBIN WINDER TENSION BRACKET ADJUSTING SCREW RETAINING CLIF	X	X	X	X	X
15	357329-902	ARM TOP COVER MACHINE HANDLE	-	-	-	X	X
15	357329-901	ARM TOP COVER MACHINE HANDLE	X	X	X	-	-
16	357084-453	ARM TOP COVER THREAD GUIDE	-	-	-	X	X
16	357084-452	ARM TOP COVER THREAD GUIDE	X	X	X	-	-
17	356843-454	ARM TOP COVER SHROUDER	X	X	X	X	X
18	141920-455	BOBBIN WINDER STOP SCREW	X	X	X	X	X
19	445924-000	BOBBIN WINDER STOP	X	X	X	X	X
20	53640-819	BOBBIN WINDER STOP SCREW NUT	X	X	X	X	X
21	531766-000	BOBBIN WINDER SPRING	X	X	X	X	X
22	445486-000	BOBBIN WINDER RETAINING RING	X	X	X	X	X
23	531767- 458	BOBBIN WINDER ASSEMBLY	-	-	-	X	X
23	531767-457	BOBBIN WINDER ASSEMBLY	X	X	X	-	-
24	356913-000	BOBBIN WINDER SPINDLE COMPLETE	X	X	X	X	X
25	354633-453	ARM TOP COVER HANDLE BRACKET	X	X	X	X	X
26	531770-452	BOBBIN WINDER FRAME	X	X	X	X	X
27	15287-701	BOBBIN WINDER FRICTION RING	X	X	X	X	X

## COVERS &amp; ADD-ONS

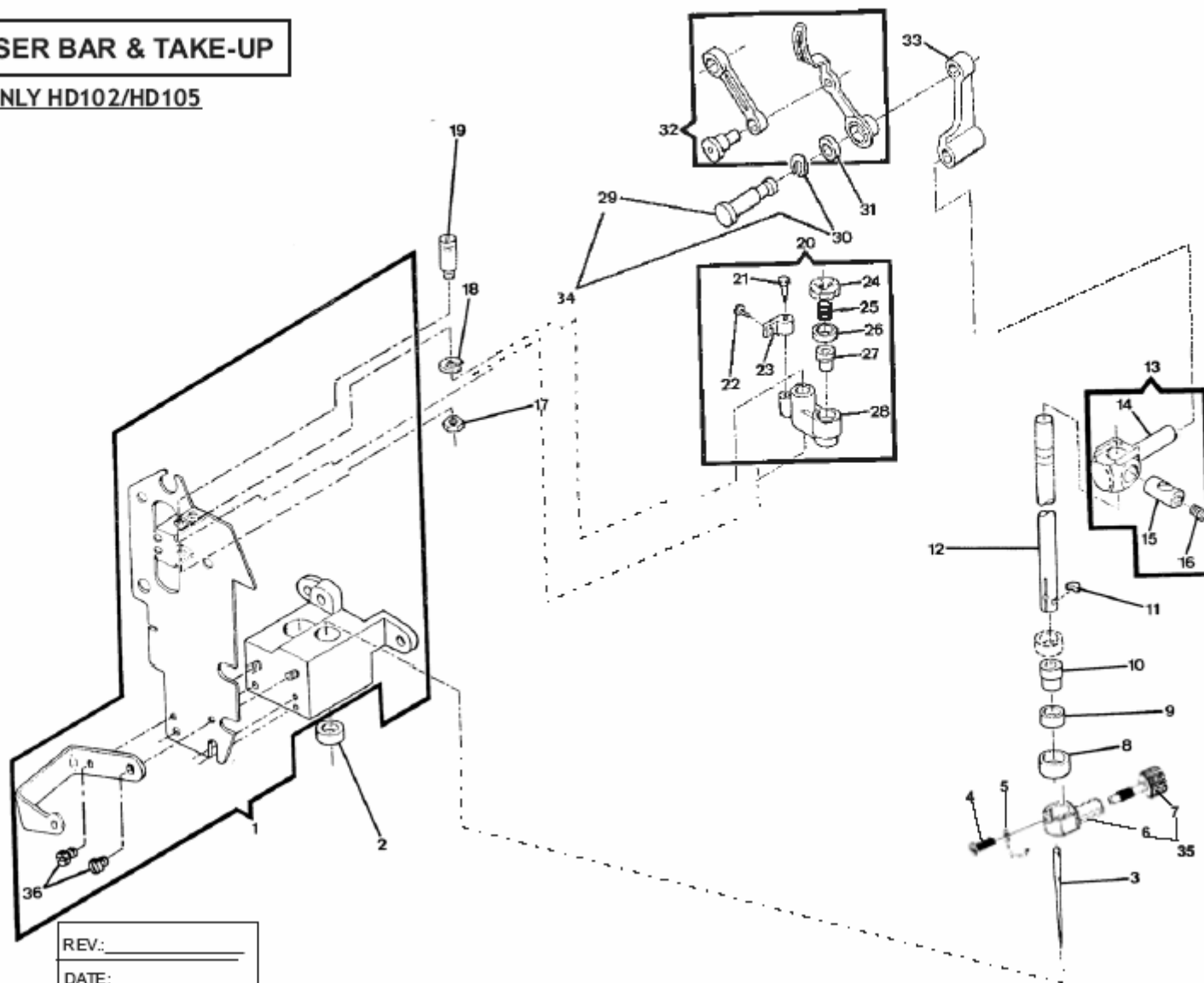


REV: \_\_\_\_\_

DATE: \_\_\_\_\_

## COVERS AND ADD-ONS

REF.	PART NUMBER	DESCRIPTION	H	H	H	C	C
			D	D	D	G	G
			1	1	1	5	5
			0	0	1	0	5
			2	5	0	0	0
1	113455-001	BED (BOTTOM) COVER FASTENING SCREW	X	-	-	X	-
2	514608-000	BED (BOTTOM) COVER FASTENING NUT	X	-	-	X	-
3	357356-452	BED (BOTTOM) COVER (PLASTIC)	X	-	-	X	-
3	353587-454	BED (BOTTOM) COVER (PLASTIC)	-	X	X	-	X
4	446493-456	BED (TUBULAR) BOTTOM COVER (PLASTIC)	-	-	-	-	X
4	446493-455	BED (TUBULAR) BOTTOM COVER (PLASTIC)	-	X	X	-	-
5	354895-453	BED (TUBULAR) BOTTOM COVER FASTENING SCREW	-	X	X	-	X
6	364063-451	ARM END COVER SCREW	X	X	X	X	X
7	358387-103	ARM END COVER	-	-	-	-	X
7	358387-102	ARM END COVER	-	-	-	X	-
7	358387-005	ARM END COVER	X	-	-		
7	358387-002	ARM END COVER	-	X	-	-	-
8	358387-003	ARM END COVER			X		
8	356027-002	BED EXTENSION PLATE (PLASTIC)	-			-	X
8	356027-001	BED EXTENSION PLATE (PLASTIC)	-	X	X	-	-
9	354133-453	FACE PLATE SCREW	X	X	X	X	X
10	358388-005	FACE PLATE COMPLETE	-	-	-	X	X
10	358388-001	FACE PLATE COMPLETE	X	X	X	-	-
11	354826-451	BED (BOTTOM) COVER FASTENING SCREW	-	X	X	-	X

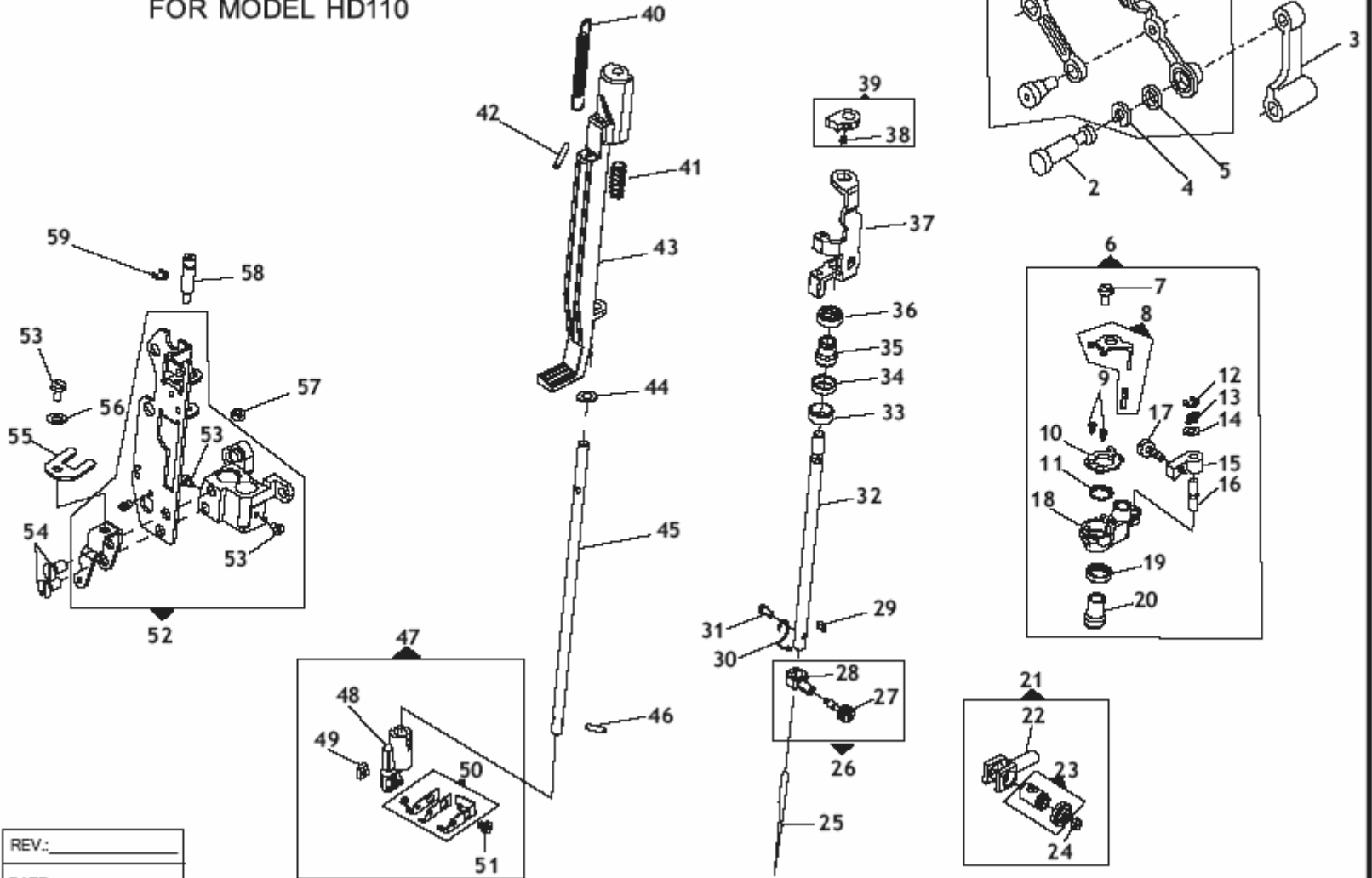
**PRESSER BAR & TAKE-UP**ONLY HD102/HD105

**PRESSER BAR AND THREAD TAKE-UP**

<b>REF.</b>	<b>PART NUMBER</b>	<b>DESCRIPTION</b>	<b>H D 1 0 2</b>	<b>H D 1 0 5</b>	<b>H D 1 1 0</b>	<b>C G 5 0 0</b>	<b>C G 5 5 0</b>
1	357360-000	NEEDLE BAR, PRESSER BAR & VIBRATING BRACKET HOUSING COMPL.	X	X	X	X	X
2	44450-000	NEEDLE BAR BALL BUSHING (LOWER) SOCKET (UPPER)	X	X	X	X	X
3	204514-100	NEEDLE (SIZE No. 14)	X	X	X	X	X
4	141920-455	NEEDLE CLAMP BODY, NEEDLE CLAMP THREAD GUIDE & N. STOP SCRE	X	X	X	X	X
5	357421-000	NEEDLE CLAMP THREAD GUIDE	X	X	X	X	X
6	357429-000	NEEDLE CLAMP BODY	X	X	X	X	X
7	355248-451	NEEDLE THUMB SCREW	X	X	X	X	X
8	446361-001	NEEDLE BAR BALL BUSHING (LOWER) ADJUSTING COLLAR	X	X	X	X	X
9	507379-000	NEEDLE BAR BALL BUSHING (LOWER) SOCKET	X	X	X	X	X
10	446355-001	NEEDLE BAR BALL BUSHING (LOWER)	X	X	X	X	X
11	37943-000	NEEDLE BAR GIB	X	X	X	X	X
12	445793-000	NEEDLE BAR	X	X	X	X	X
13	353549-940	NEEDLE BAR CONNECTING STUD WITH HINGE PIN	X	X	X	X	X
14	353549-000	NEEDLE BAR CONNECTING STUD	X	X	X	X	X
15	37931-000	NEEDLE BAR CONNECTING STUD HINGE PIN	X	X	X	X	X
16	141916-833	NEEDLE BAR CLAMP SCREW	X	X	X	X	X
17	357093-451	NEEDLE BAR VIBRATING BRACKET HINGE PIN NUT	X	X	X	X	X
18	445721-000	NEEDLE BAR VIBRATING BRACKET HINGE PIN RETAINING RING	X	X	X	X	X
19	446359-000	NEEDLE BAR VIBRATING BRACKET HINGE PIN	X	X	X	X	X
20	353520-001	NEEDLE BAR VIBRATING BRACKET COMPLETE	X	X	X	X	X
21	37935-000	NEEDLE BAR DRIVING ARM HINGE BRACKET HINGE PIN	X	X	X	X	X
22	354826-451	NEEDLE BAR DRIVING ARM HINGE BRACKET SCREW	X	X	X	X	X
23	446190-000	NEEDLE BAR DRIVING ARM HINGE BRACKET	X	X	X	X	X
24	353522-001	NEEDLE BAR BALL BUSHING (UPPER) RETAINING RING	X	X	X	X	X
25	357616-000	NEEDLE BAR BUSHING (UPPER) SOCKET SPRING	X	X	X	X	X
26	357615-000	NEEDLE BAR BALL BUSHING (UPPER) SOCKET	X	X	X	X	X
27	446355-001	NEEDLE BAR BALL BUSHING (UPPER)	X	X	X	X	X
28	353521-000	NEEDLE BAR VIBRATING BRACKET	X	X	X	X	X
29	446260-000	THREAD TAKE-UP STUD	X	X	X	X	X
30	445486-000	THREAD TAKE-UP STUD RETAINING RING	X	X	X	X	X
31	543531-000	THREAD TAKE-UP STUD THRUST WASHER	X	X	X	X	X
32	445672-940	THREAD TAKE-UP LEVER ASSEMBLY	X	X	X	X	X
33	445357-950	NEEDLE BAR CONNECTING LINK	X	X	X	X	X
34	446261-000	THREAD TAKE-UP STUD WITH RETAINING RING	X	X	X	X	X
35	357430-001	NEEDLE CLAMP BODY WITH SCREW	X	X	X	X	X
36	113480-451	NEEDLE B. PRESSER B. & VIBRAT. BRAC.HOUSING PL. MOUNT. SCREW	X	X	X	X	X

# NEEDLE BAR, PRESSER BAR & AUTOMATIC NEEDLE THREADER HOUSING

FOR MODEL HD110



REV: \_\_\_\_\_  
DATE: \_\_\_\_\_

**NEEDLE BAR , PRESSER BAR & AUTOMATIC NEEDLE THREADER HOUSING**

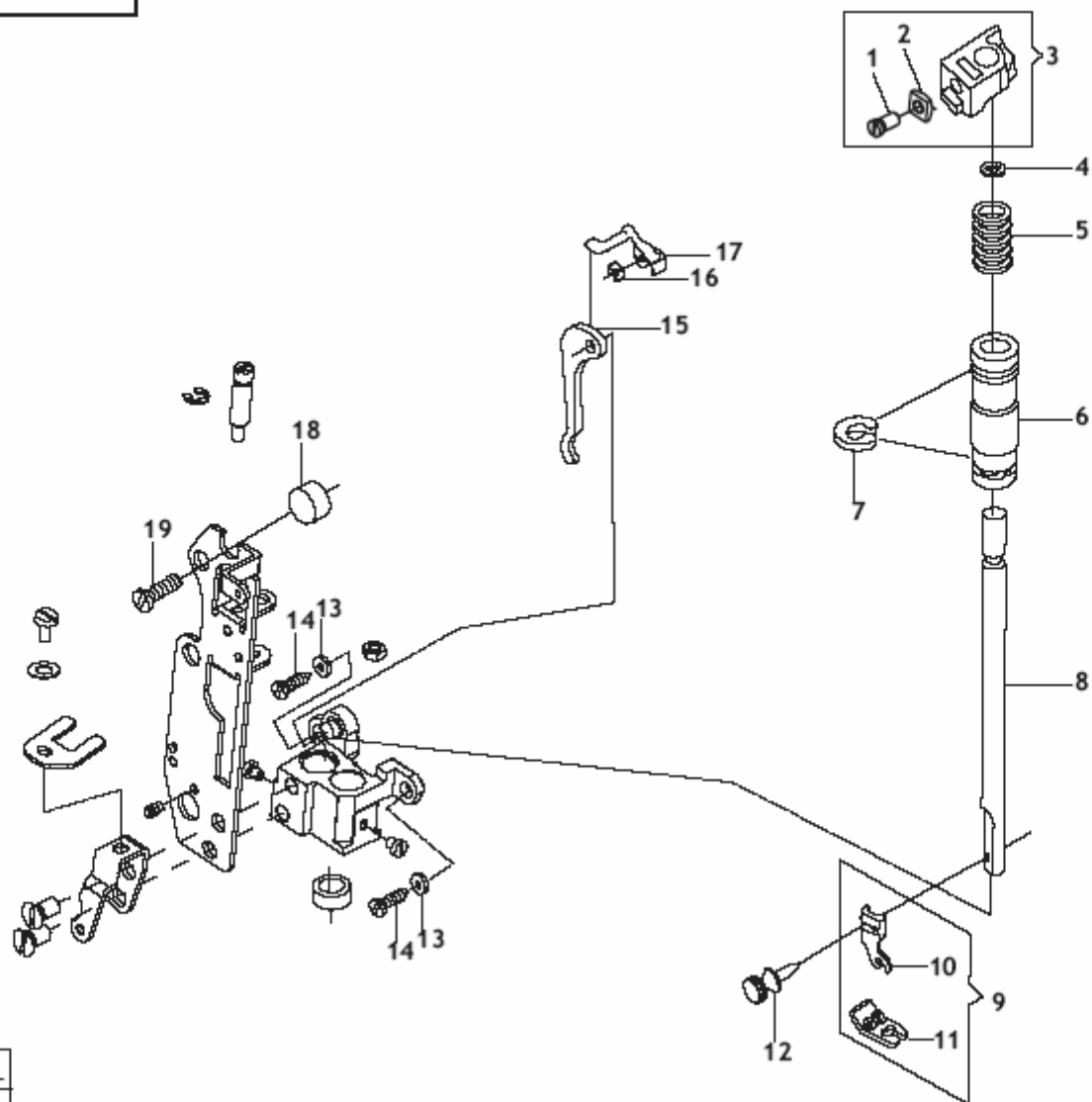
REF.	PART NUMBER	DESCRIPTION	H	H	H	C	C
			D	D	D	G	G
			1	1	1	5	5
			0	0	1	0	5
			2	5	0	0	0
1	445672-000	THREAD TAKE-UP LEVER COMPLETE	X	X	X	X	X
2	357788-000	THREAD TAKE-UP STUD	X	X	X	X	X
3	446357-000	NEEDLE BAR CONNECTING LINK	X	X	X	X	X
4	445486-000	THREAD TAKE-UP STUD RETAINING RING	X	X	X	X	X
5	543531-000	THREAD TAKE-UP STUD THRUST WASHER	X	X	X	X	X
6	358049-001	NEEDLE BAR VIBRATING BRACKET COMPLETE	X	X	X	X	X
7	354826-451	NEEDLE BAR DRIVING ARM HINGE BRACKET SCREW	X	X	X	X	X
8	358050-000	NEEDLE LIMITER STOP SUPPORT ASSEMBLY	X	X	X	X	X
9	357925-900	VIBRATING BRACKET COVER SCREW	X	X	X	X	X
10	357871-900	VIBRATING BRACKET COVER	X	X	X	X	X
11	357911-900	VIBRATING BRACKET COVER SPRING	X	X	X	X	X
12	179926-451	NEEDLE BAR DRIVING ARM HINGE BRACKET HINGE SPRING RETAINING RING	X	X	X	X	X
13	357504-000	NEEDLE BAR DRIVING ARM HINGE BRACKET HINGE PIN SPRING	X	X	X	X	X
14	446138-000	NEEDLE BAR DRIVING ARM HINGE BRACKET HINGE SPRING WASHER	X	X	X	X	X
15	357503-000	NEEDLE BAR DRIVING ARM HINGE BRACKET	X	X	X	X	X
16	357502-001	NEEDLE BAR DRIVING ARM HINGE BRACKET HINGE PIN	X	X	X	X	X
17	355272-451	NEEDLE BAR DRIVING ARM HINGE BRACKET SCREW	X	X	X	X	X
18	353521-000	NEEDLE BAR DRIVING ARM HINGE BRACKET	X	X	X	X	X
19	357615-000	NEEDLE BAR BALL BUSHING UPPER SOCKET	X	X	X	X	X
20	357897-900	NEEDLE BAR BALL BUSHING UPPER	X	X	X	X	X
21	353549-940	NEEDLE BAR CONNECTING STUD	X	X	X	X	X
22	353549-000	NEEDLE BAR CONNECTING STUD WITH HINGE PIN	X	X	X	X	X
23	37931-000	NEEDLE BAR CONNECTING STUD HINGE PIN ASSEMBLY	X	X	X	X	X
24	141916-833	NEEDLE BAR CLAMPING SCREW	X	X	X	X	X
25	204514-100	NEEDLE 2045 -SIZE NBR.14	X	X	X	X	X
26	357430-001	NEEDLE CLAMP BODY WITH SCREW	X	X	X	X	X
27	355248-451	NEEDLE THUMB SCREW	X	X	X	X	X
28	357429-001	NEEDLE CLAMP BODY	X	X	X	X	X
29	37943-000	NEEDLE BAR GIB	X	X	X	X	X
30	357421-001	NEEDLE CLAMP THREAD GUIDE	X	X	X	X	X

**NEEDLE BAR , PRESSER BAR & AUTOMATIC NEEDLE THREADER HOUSING**

			H	H	H	C	C
			D	D	D	G	G
			1	1	1	5	5
			0	0	1	0	5
REF.	PART NUMBER	DESCRIPTION	2	5	0	0	0
31	141920-455	NEEDLE CLAMP BODY, N.C.T. GUIDE & N. STOP SCREW	X	X	X	X	X
32	357866-900	NEEDLE BAR	-	-	-	-	-
33	446361-001	NEEDLE BAR BALL BUSHING (LOWER) ADJUSTING COLLAR	-	-	-	-	-
34	357981-900	NEEDLE BAR BALL BUSHING SOCKET	-	-	-	-	-
35	357899-901	NEEDLE BAR BALL BUHING (LOWER) MACHINED	-	-	-	-	-
36	357898-901	NEEDLE BAR BUSHING LOWER SOCKET	-	-	-	-	-
37	357870-900	NEEDLE THREADER MECHANISM SUPPORT	-	-	-	-	-
38	357921-900	NEEDLE THREADER STOP SCREW	-	-	-	-	-
39	358053-000	NEEDLE THREADER STOP ASSEMBLY	-	-	-	-	-
40	357913-900	NEEDLE THREADER ACTUATING SUPPORT SPRING	-	-	-	-	-
41	357912-900	NEEDLE THREADER ACTUATING CAM SPRING	-	-	-	-	-
42	357869-900	NEEDLE THREADER ACTUATING SPRING	-	-	-	-	-
43	357872-900	NEEDLE THREADER ACTUATING SUPPORT	-	-	-	-	-
44	357920-900	RUBBER RING	-	-	-	-	-
45	357865-900	NEEDLE THREADER SHAFT	X	X	X	X	X
46	358047-000	NEEDLE THREADER SHAFT ASSEMBLY	-	-	-	-	-
<b>47</b>	<b>358071-000</b>	<b>NEEDLE THREADER ASSEMBLY SUPPORT COMPLETE</b>	-	-	-	-	-
48	357873-900	NEEDLE THREADER ASSEMBLY SUPPORT COMPLETE	-	-	-	-	-
49	357923-900	NEEDLE THREADER SET SCREW NUT	-	-	-	-	-
50	358070-000	NEEDLE THREADER HOOK ASSEMBLY	-	-	-	-	-
51	357922-900	NEEDLE THREADER SET SCREW	-	-	-	-	-
52	358043-000	NEEDLE BAR & PRESSER BAR HOUSING COMPLETE	-	-	-	-	-
53	354592-451	NEEDLE BAR BALL BUSHING (LOWER) COLLAR SET SCREW	-	-	-	-	-
54	113480-451	NEEDLE BAR & PRESSER BAR HOUSING PLATE MOUNTING SCREW	-	-	-	-	-
55	354592-451	NEEDLE THREADER SUPPORT GUIDE PLATE	-	-	-	-	-
56	358162-000	NEEDLE THREADER S. GUIDE PLATE SCREW WASHER	-	-	-	-	-
57	3357093-451	NEEDLE BAR VIBRATING BRACKET HINGE PIN NUT	-	-	-	-	-
58	446359-000	NEEDLE BAR VIBRATING BRACKET HINGE PIN	X	X	X	X	X
59	445721-000	NEEDLE BAR VIBRATING BRACKET HINGE PIN RETAINING RING	X	X	X	X	X



## PRESSER BAR

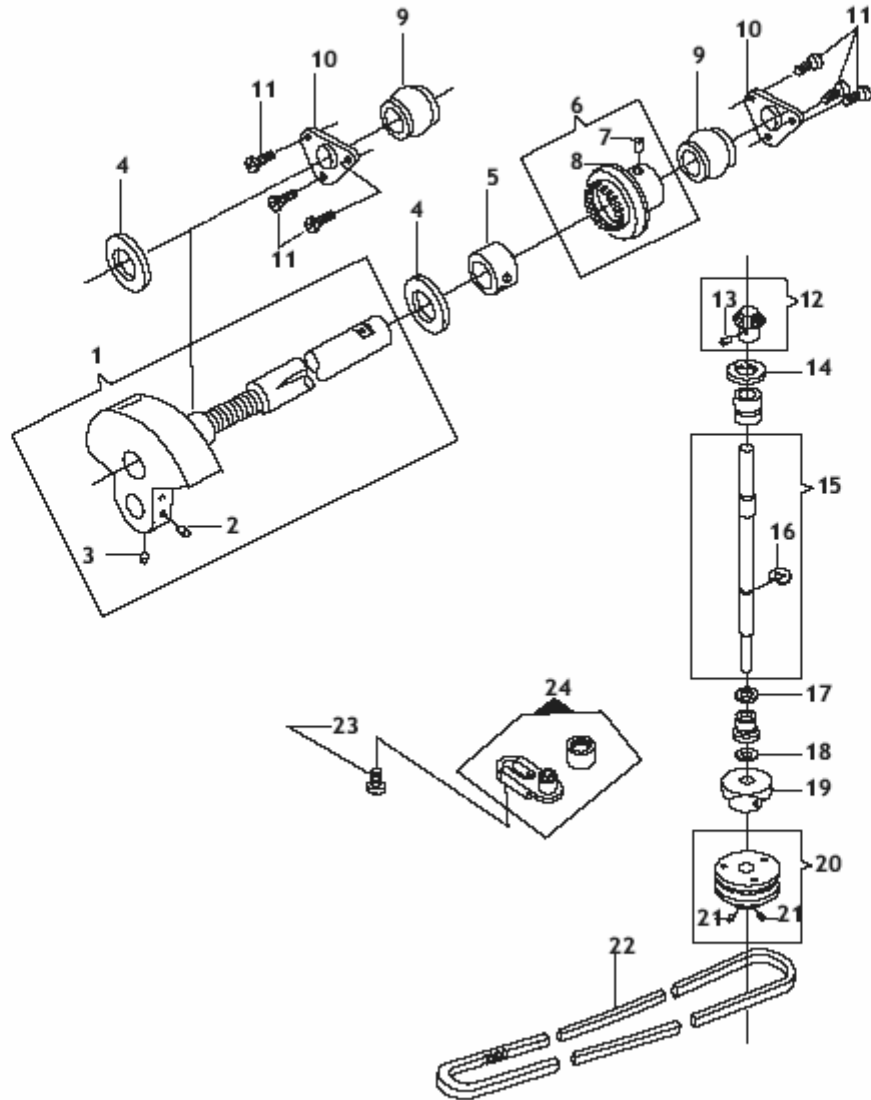


REV.: \_\_\_\_\_  
DATE: \_\_\_\_\_

**PRESSER BAR & THREAD TAKE-UP**

REF.	PART NUMBER	DESCRIPTION	H	H	H	C	C
			D	D	D	G	G
			1	1	1	5	5
			0	0	1	0	5
			2	5	0	0	0
1	355279-451	PRESSER BAR BALL BUSHING SET SCREW	X	X	X	X	X
2	353367-451	PRESSER BAR GUIDE BRACKET SET SCREW NUT	X	X	X	X	X
3	357363-000	PRESSER BAR GUIDE BRACKET ASSEMBLY	X	X	X	X	X
4	353215-000	PRESSER BAR SPRING RETAINING RING	X	X	X	X	X
5	357362-000	PRESSER BAR SPRING	X	X	X	X	X
6	445947-001	PRESSER BAR BUSHING	X	X	X	X	X
7	357604-000	PRESSER BAR BUSHING LOCATOR RING	X	X	X	X	X
8	357602-000	PRESSER BAR	X	X	X	X	X
9	446371-000	PRESSER FOOT PLATE (SNAP-ON) FOR ZIG-ZAG	X	X	X	X	X
10	155964-000	PRESSER FOOT SHANK (SNAP-ON)	X	X	X	X	X
11	446372-000	PRESSER FOOT (SNAP-ON) COMPLETE FOR ZIG-ZAG SEWING	X	X	X	X	X
12	354135-452	PRESSER FOOT THUMB SCREW	X	X	X	X	X
13	113434-451	NEEDLE BAR, PRESSER BAR & VIBRATING BRACKET HOUSING MOUNTING SCREW (LOWER)	X	X	X	X	X
14	353375-451	NEEDLE BAR, PRESSER BAR & VIBRATING BRACKET HOUSING MOUNTING SCREW (LOWER) WASHER	X	X	X	X	X
15	356170-454	PRESSER BAR LIFTER	X	X	X	X	X
15	356170-451	PRESSER BAR LIFTER	X	X	X	X	X
16	445486-000	TENSION RELEASING LEVER RETAINING RING	X	X	X	X	X
17	445925-000	TENSION RELEASING LEVER	X	X	X	X	X
18	531627-000	NEEDLE BAR, PRES. BAR & VIBRATING BRAC. HOUSING MOUNT. BUSHING	X	X	X	X	X
19	113455-009	NEEDLE BAR & PRESSER BAR VIBRATING BRACKET HOUSING MOUNTING SCRE'	X	X	X	X	X

ARM SHAFT DRIVE

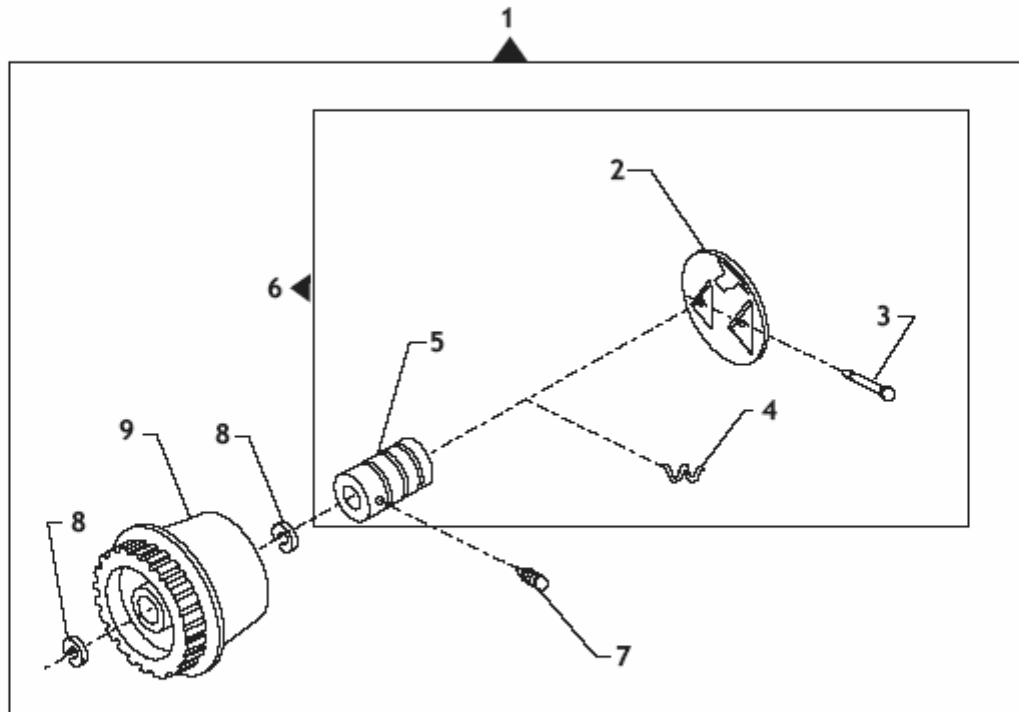


REV: \_\_\_\_\_  
DATE: \_\_\_\_\_

**ARM SHAFT DRIVE**

REF.	PART NUMBER	DESCRIPTION	H	H	H	C	C
			D	D	D	G	G
			1	1	1	5	5
			0	0	1	0	5
			2	5	0	0	0
1	531684-000	ARM SHAFT (HORIZONTAL) COMPLETE	X	X	X	X	X
2	354105-833	NEEDLE BAR CRANK POSITION SET SCREW	X	X	X	X	X
3	141916-833	NEEDLE BAR CRANK STUD MOUNTING SCREW	X	X	X	X	X
4	319764-000	ARM SHAFT (HORIZONTAL) RETAINING COLLAR WASHER	X	X	X	X	X
5	353580-000	ARM SHAFT (HORIZONTAL) RETAINING COLLAR WITH SCREW	X	X	X	X	X
6	353272-000	ARM SHAFT (HORIZONTAL) BEVEL GEAR & FEED LIFTING ECC.	X	X	X	X	X
7	354813-451	ARM SHAFT (HORIZONTAL) BEVEL GEAR & FEED LIFTING ECCENTRIC SET SCREW	X	X	X	X	X
8	353413-000	ARM SHAFT (HORIZONTAL) BEVEL GEAR & FEED LIFTING ECCENTRIC WASHER (PLASTIC )	X	X	X	X	X
9	446384-000	ARM SHAFT BUSHING (FRONT)	X	X	X	X	X
10	446385-000	ARM SHAFT BUSHING (FRONT) RETAINING PLATE	X	X	X	X	X
11	113455-001	ARM SHAFT BUSHING (FRONT) RETAINING BRACKET SCREW	X	X	X	X	X
12	353273-002	ARM SHAFT BEVEL GEAR (UPRIGHT) SET SCREW	X	X	X	X	X
13	354105-833	ARM SHAFT (UPRIGHT) BEVEL GEAR SET SCREW	X	X	X	X	X
14	356819-000	ARM SHAFT (UPRIGHT) BELT WASHER	X	X	X	X	X
15	179952-002	ARM SHAFT (UPRIGHT) ASSEMBLY	X	X	X	X	X
16	353215-000	ARM SHAFT (UPRIGHT) RETAINING RING	X	X	X	X	X
17	353394-000	ARM SHAFT (UPRIGHT) RETAINING RING WASHER	X	X	X	X	X
18	319826-000	ARM SHAFT (UPRIGHT) BELT DRIVE PULLEY WASHER	X	X	X	X	X
19	446228-000	FEED LIFTING CAM COMPLETE	X	X	X	X	X
20	353438-001	ARM SHAFT (UPRIGHT) BELT DRIVE PULLEY ASSEMBLY COMPLETE	X	X	X	X	X
21	354906-451	ARM SHAFT (UPRIGHT) BELT DRIVE PULLEY RETAINING COLLAR SET SCREW	X	X	X	X	X
22	446237-000	BELT (ROTATING HOOK DRIVE)	X	X	X	X	X
23	113453-003	ROTATING HOOK DRIVE BELT TENSIONER SCREW	X	X	X	X	X
24	357461-000	ROTATING HOOK DRIVE BELT TENSION ADJUSTER	X	X	X	X	X

HAND WHEEL

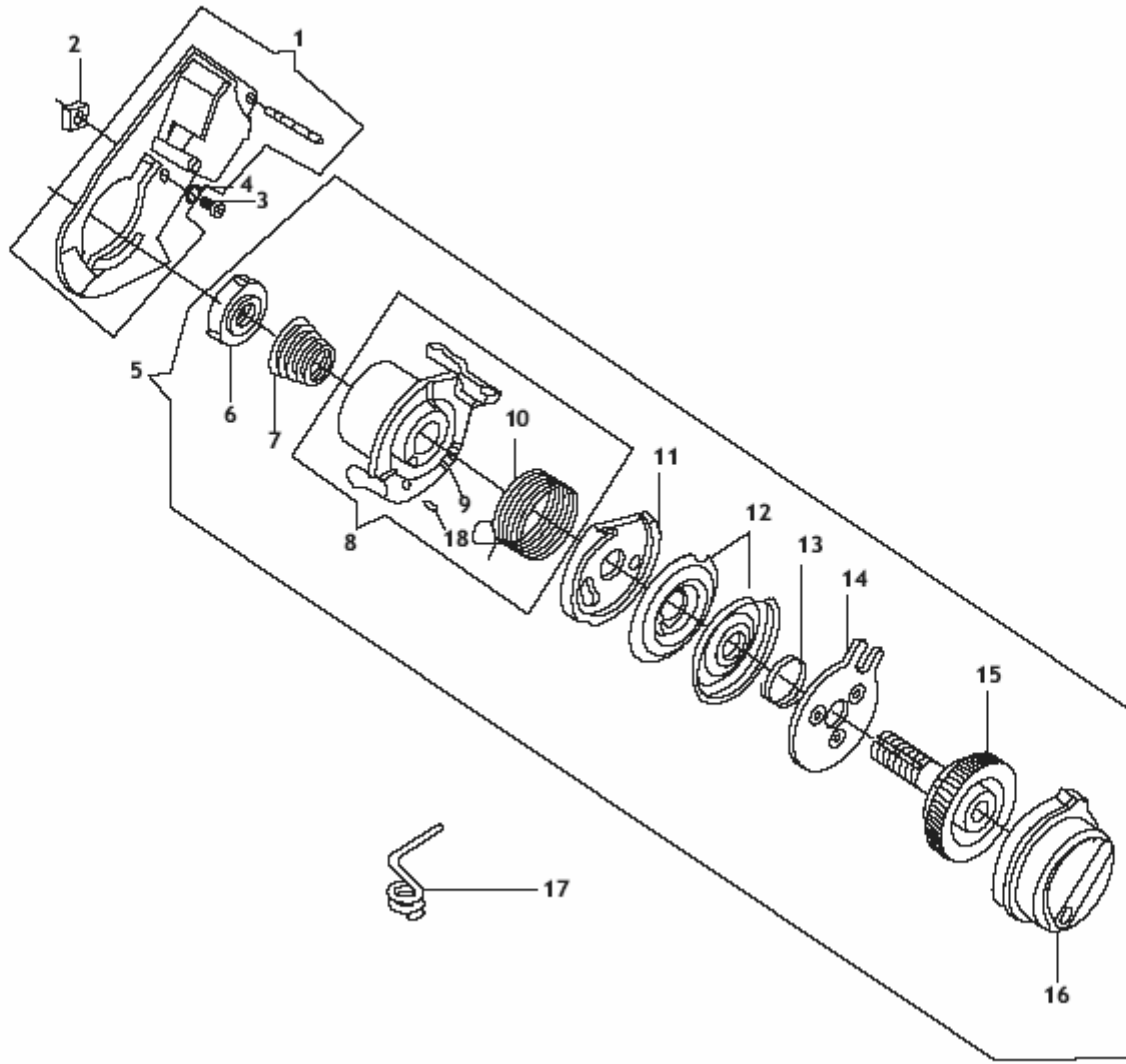


REV.: \_\_\_\_\_  
DATE: \_\_\_\_\_

**HAND WHEEL**

<b>REF.</b>	<b>PART NUMBER</b>	<b>DESCRIPTION</b>	<b>H</b>	<b>H</b>	<b>H</b>	<b>C</b>	<b>C</b>
			<b>D</b>	<b>D</b>	<b>D</b>	<b>G</b>	<b>G</b>
			<b>1</b>	<b>1</b>	<b>1</b>	<b>5</b>	<b>5</b>
			<b>0</b>	<b>0</b>	<b>1</b>	<b>0</b>	<b>5</b>
			<b>2</b>	<b>5</b>	<b>0</b>	<b>0</b>	<b>0</b>
1	357009-453	HAND WHEEL (PLASTIC) COMPLETE	-	-	-	X	X
1	357009-452	HAND WHEEL (PLASTIC) COMPLETE	X	X	X	-	-
2	357367-902	HAND WHEEL DISENGAGING CLUTCH ENGAGING PLATE COVER	X	X	X	X	X
3	357364-000	HAND WHEEL DISENGAGING CLUTCH ENGAGING PLATE HINGE PIN	X	X	X	X	X
4	357365-000	HAND WHEEL DISENGAGING CLUTCH ACTUATING SPRING	X	X	X	X	X
5	357359-000	HAND WHEEL DISENGAGING CLUTCH BUSHING	X	X	X	X	X
6	357368-452	HAND WHEEL DISENGAGING CLUTCH BUSHING COMPLETE	X	X	X	X	X
7	354813-451	HAND WHEEL DISENGAGING CLUTCH BUSHING SCREW	X	X	X	X	X
8	446387-000	HAND WHEEL RETAINING RING (TREADLE / ELECTRIC)	X	X	X	X	X
9	356958-453	HAND WHEEL (PLASTIC)	-	-	-	X	X
9	356958-452	HAND WHEEL (PLASTIC)	X	X	X	-	-

# TENSION MECHANISM



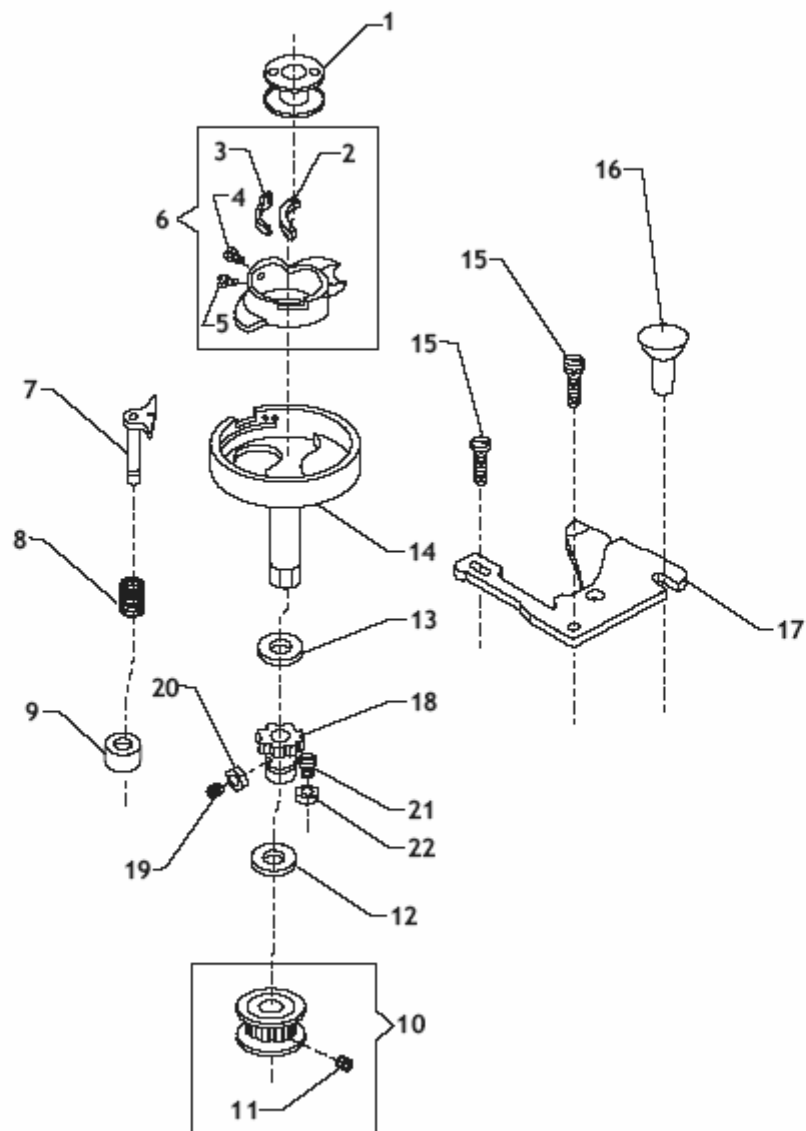
REV: \_\_\_\_\_  
DATE: \_\_\_\_\_

**TENSION MECHANISM**

REF.	PART NUMBER	DESCRIPTION	H	H	H	C	C
			D	D	D	G	G
			1	1	1	5	5
			0	0	1	0	5
			2	5	0	0	0
1	356040-455	TENSION MECHANISM SHROUDER ASSEMBLY	-	-	-	X	X
1	356040-453	TENSION MECHANISM SHROUDER ASSEMBLY	X	X	X	-	-
2	514698-451	TENSION MECHANISM SHROUDER SCREW NUT	X	X	X	X	X
3	141808-457	TENSION THREAD GUIDE SCREW	X	X	X	X	X
4	356443-000	TENSION THREAD GUIDE SCREW WASHER	X	X	X	X	X
5	356088-485	TENSION MECHANISM ASSEMBLY	-	-	-	X	X
5	356088-457	TENSION MECHANISM ASSEMBLY	X	X	X	-	-
6	356095-000	TENSION STUD NUT	X	X	X	X	X
7	356096-000	TENSION SPRING	X	X	X	X	X
8	356245-000	TENSION MECHANISM SUPPORT ASSEMBLY	X	X	X	X	X
9	356089-000	TENSION MECHANISM SUPPORT	X	X	X	X	X
10	356097-000	THREAD TAKE-UP SPRING	X	X	X	X	X
11	356091-000	THREAD TAKE-UP SPRING THREAD GUARD	X	X	X	X	X
12	356094-000	TENSION DISC	X	X	X	X	X
13	358123-900	TENSION DISC PRESSURE PLATE SPRING	X	X	X	X	X
14	358124-900	TENSION DISC PRESSURE PLATE	X	X	X	X	X
15	356092-451	TENSION INDICATOR WITH STUD	X	X	X	X	X
16	356090-485	TENSION INDICATOR DIAL	-	-	-	X	X
16	356090-457	TENSION INDICATOR DIAL	X	X	X	-	-
17	445784-000	THREAD GUIDE (LOWER)	X	X	X	X	X
18	356246-900	TENSION MECHANISM SUPPORT PIN	X	X	X	X	X



## HOOK SYSTEM



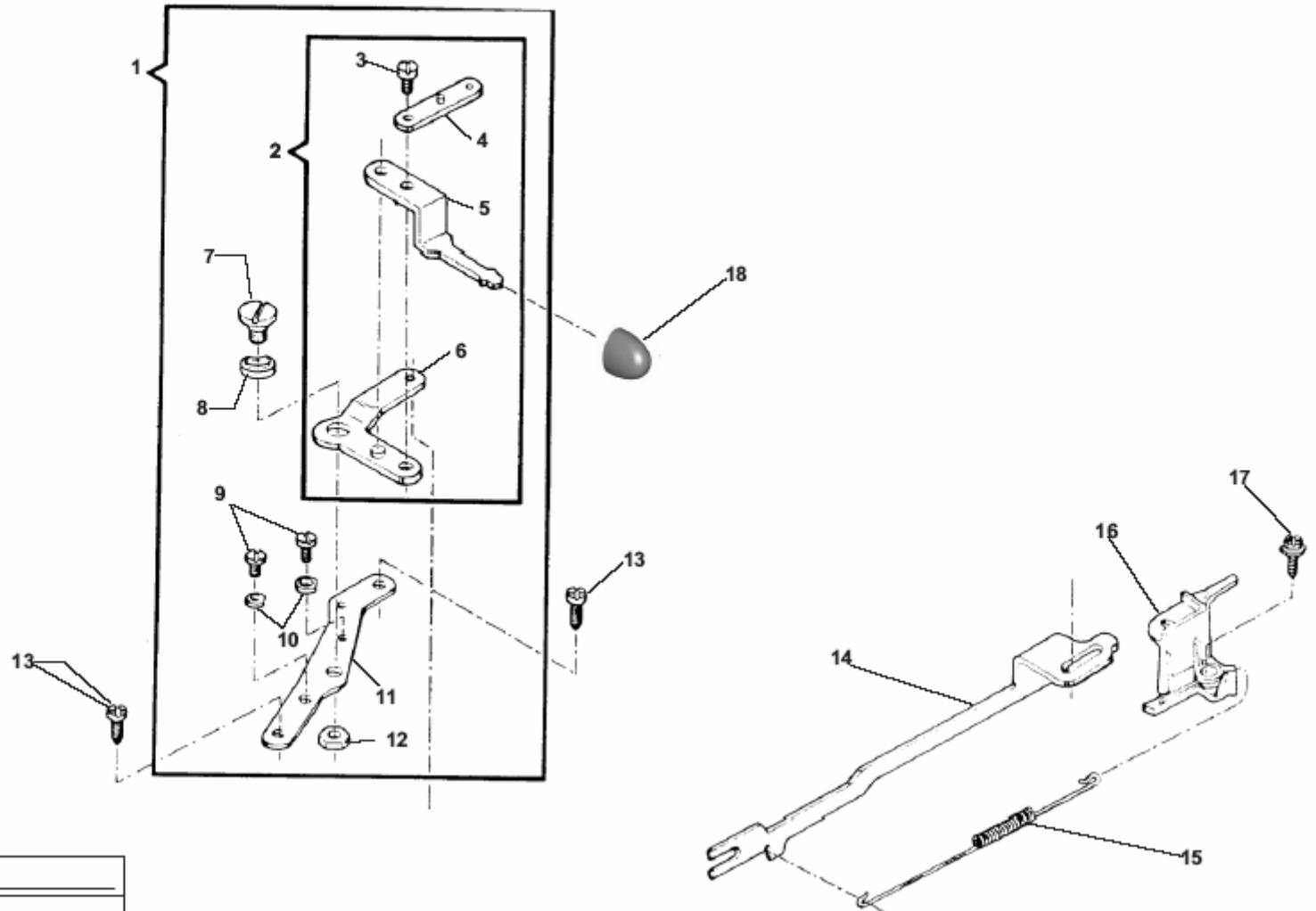
REV.: \_\_\_\_\_

DATE: \_\_\_\_\_

**HOOK SYSTEM**

<b>REF.</b>	<b>PART NUMBER</b>	<b>DESCRIPTION</b>	<b>H D 1 0 2</b>	<b>H D 1 0 5</b>	<b>H D 1 1 0</b>	<b>C G 5 0 0</b>	<b>C G 5 0 0</b>
1	172336-000	ROTATING HOOK BOBBIN (PLASTIC)	X	X	X	X	X
2	356490-451	ROTATING HOOK BOBBIN CASE TENSION SPRING SEGMENT	X	X	X	X	X
3	314715-000	ROTATING HOOK BOBBIN CASE TENSION SPRING	X	X	X	X	X
4	355254-451	ROTATING HOOK BOBBIN CASE TENSION	X	X	X	X	X
5	139975-452	REGULATING SCREW SEGMENT SCREW	X	X	X	X	X
6	421325-001	ROTATING HOOK BOBBIN CASE TENSION SPRING	X	X	X	X	X
7	358021-000	ROTATING HOOK BOBBIN CASE	X	X	X	X	X
8	358018-900	ROTATING HOOK BOBBIN CASE RETAINING PLATE ASSEMBLY	X	X	X	X	X
9	358019-900	ROT. HOOK BOBBIN CASE RET. PLATE STUD SPRING	X	X	X	X	X
10	446235-000	ROT. HOOK BOBBIN CASE RET. PLATE RETAINING RING	X	X	X	X	X
11	141803-451	ROTATING HOOK BELT DRIVE PULLEY	X	X	X	X	X
12	382861-906	ROTATING HOOK BELT DRIVE PULLEY SCREW	X	X	X	X	X
13	353453-000	ROTATING HOOK BELT DRIVE PULLEY WASHER	X	X	X	X	X
15	353366-000	ROTATING HOOK WEAR WASHER	X	X	X	X	X
16	354917-451	ROTATING HOOK COMPLETE	X	X	X	X	X
17	357349-451	ROTATING HOOK BOBBIN CASE POSITION PLATE SCREW	X	X	X	X	X
	44873-001	ROTATING HOOK BOBBIN CASE RETAINING PLATE					
18	353410-900	(ADJUSTABLE & POSITION PLATE) STUD	X	X	X	X	X
19	141938-833	ROTATING HOOK BOBBIN CASE POSITION PLATE	X	X	X	X	X
20	353367-451	ROTATING HOOK BUSHING	X	X	X	X	X
21	141844-451	ROTATING HOOK BUSHING SET SCREW	X	X	X	X	X
22	618638-005	ROTATING HOOK BUSHING SET SCREW NUT	X	X	X	X	X
			X	X	X	X	X

BIGHT AMPLITUDE

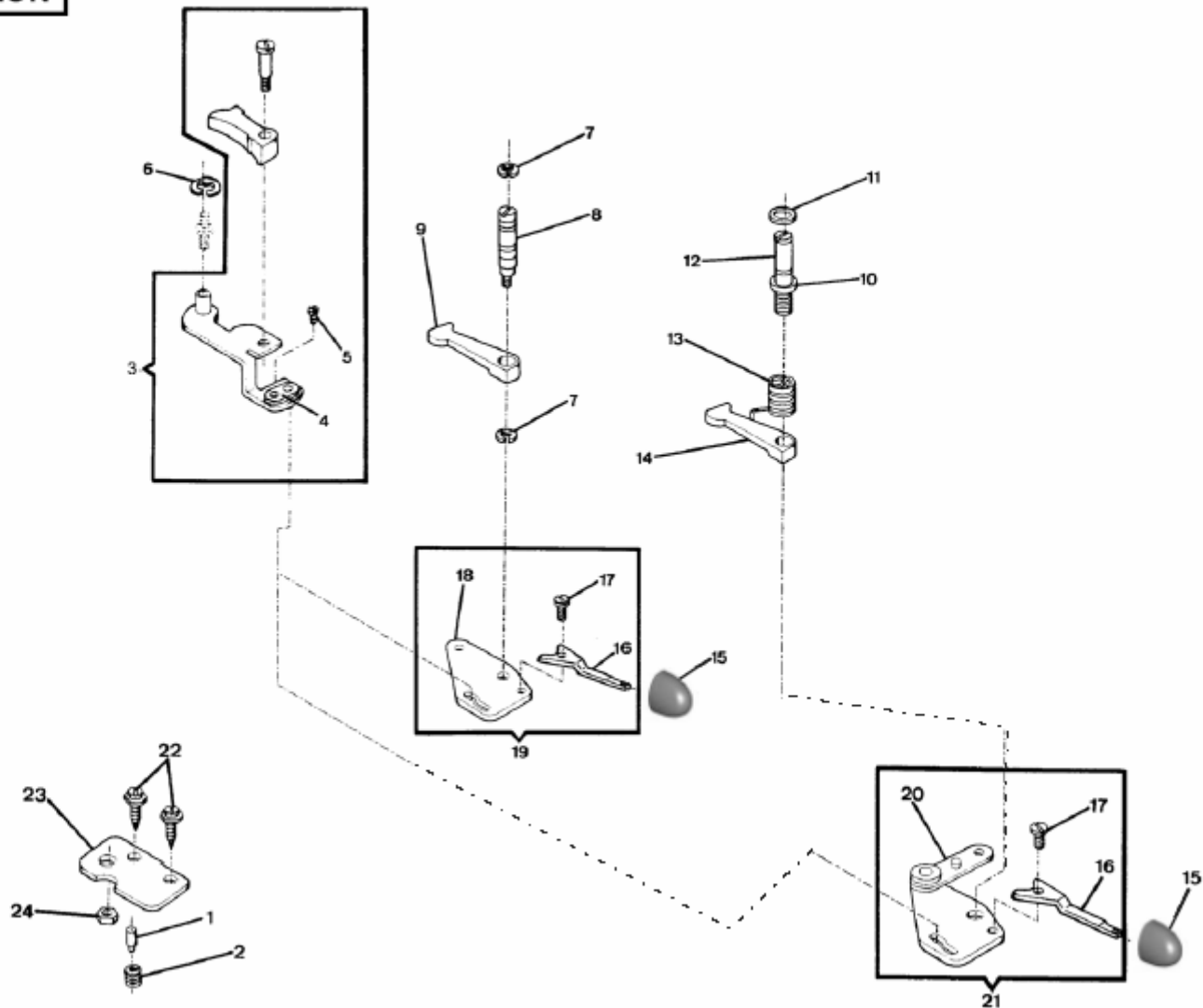


REV.: \_\_\_\_\_  
DATE \_\_\_\_\_

**BIGHT AMPLITUDE**

<b>REF.</b>	<b>PART NUMBER</b>	<b>DESCRIPTION</b>	<b>H</b>	<b>H</b>	<b>H</b>	<b>C</b>	<b>C</b>
			<b>D</b>	<b>D</b>	<b>D</b>	<b>G</b>	<b>G</b>
			<b>1</b>	<b>1</b>	<b>1</b>	<b>5</b>	<b>5</b>
			<b>0</b>	<b>0</b>	<b>1</b>	<b>0</b>	<b>5</b>
			<b>2</b>	<b>5</b>	<b>0</b>	<b>0</b>	<b>0</b>
1	356057-000	BIGHT AMPLITUDE CONTROL LEVER MOUNTING BRACKET COMPLETE	-	-	-	-	
1	356113-000	BIGHT AMPLITUDE CONTROL LEVER MOUNTING BRACKET COMPLETE	-	-	X	-	X
2	356058-000	BIGHT AMPLITUDE CONTROL LEVER SUB-ASSEMBLY	-	-	X	-	X
2	356114-000	BIGHT AMPLITUDE CONTROL LEVER SUB-ASSEMBLY	-	-	X	-	X
3	141913-451	BIGHT AMPLITUDE CONTROL LEVER SCREW	-	-	X	-	X
3	139866-451	BIGHT AMPLITUDE CONTROL LEVER SCREW	-	-	X	-	X
4	44556-000	BUTTONHOLER BIGHT CONTROL CAM FOLLOWER LEVER LINK (LEFT)	-	-	X	-	X
5	356061-000	BIGHT AMPLITUDE CONTROL LEVER	-	-	X	-	X
6	37246-000	BIGHT AMPLITUDE CONTROL LEVER LINK	X	X	X	X	X
7	354825-451	BIGHT AMPLITUDE CONTROL LEVER LINK HINGE SCREW	X	X	X	X	X
8	49204-000	BIGHT AMPLITUDE CONTROL LEVER LINK HINGE SCREW FRICTION WASHER	X	X	X	X	X
9	141913-451	BIGHT AMPLITUDE CONTROL LEVER LINK STOP SCREW	X	X	X	X	X
10	446904-000	BIGHT AMPLITUDE CONTROL LEVER LINK STOP	X	X	X	X	X
11	531793-000	BIGHT AMPLITUDE CONTROL LEVER MOUNTING BRACKET	X	X	X	X	X
12	54591-451	BIGHT AMPLITUDE CONTROL LEVER LINK HINGE SCREW NUT	X	X	X	X	X
13	113455-001	BIGHT AMPLITUDE CONTROL LEVER MOUNTING BRACKET SCREW	X	X	X	X	X
14	37933-002	NEEDLE BAR DRIVING ARM	X	X	X	X	X
15	37942-000	NEEDLE BAR DRIVING ARM TENSION SPRING	X	X	X	X	X
16	445780-000	LIGHT LEAD SHIELD & N. BAR DRIV. ARM TENSION SPRING MOUNT. PLATE	X	X	X	X	X
17	113455-001	LIGHT LEAD SHIELD & NEEDLE BAR DRIVING ARM TENSION SPRING MOUNTING PLATE SCREW	X	X	X	X	X
18	357699-905	CONTROL LEVER KNOB	-	-	-	X	X
18	357699-904	CONTROL LEVER KNOB	X	X	X	-	-

**NEEDLE POSITION**

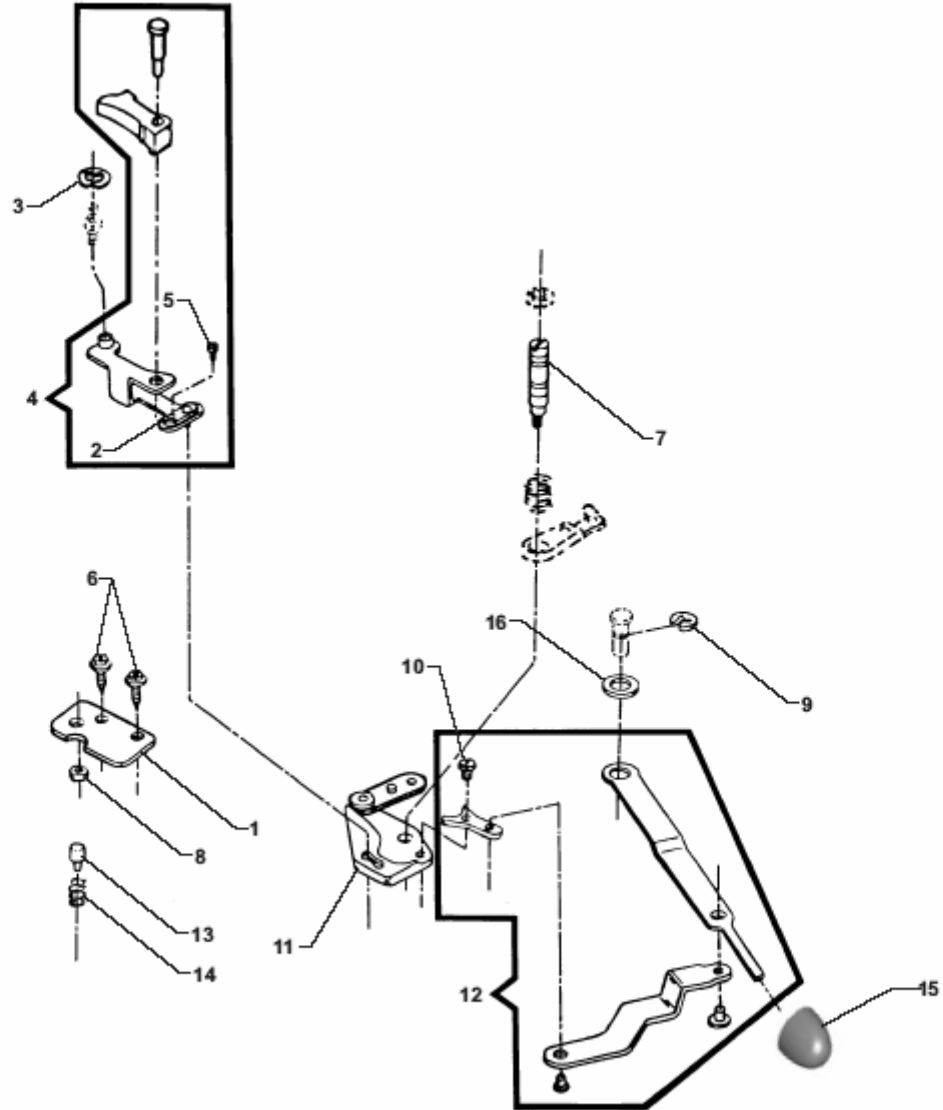


REV.: \_\_\_\_\_  
 DATE: \_\_\_\_\_

**NEEDLE POSITION**

REF.	PART NUMBER	DESCRIPTION	H	H	H	C	C
			D	D	D	G	G
			1	1	1	5	5
			0	0	1	0	5
			2	5	0	0	0
1	356228-000	NEEDLE POSITION SELECTOR LEVER BRACKET POSITIONING PIN	X	X	X	X	X
2	444800-000	NEEDLE POSITION SELECTOR LEVER BRACKET POSITIONING PIN SPRING	X	X	X	X	X
3	356636-000	NEEDLE BAR DRIVING ARM SLIDE BRACKET ASSEMBLY	X	X	X	X	X
4	531736-000	NEEDLE POSITION SELECTOR LEVER BRACKET FOLLOWER STUD ARM /	X	X	X	X	X
5	141913-451	NEEDLE POSITION LEVER BRACKET STUD ARM SET SCREW	X	X	X	X	X
6	445721-000	NEEDLE BAR VIBRATING BRACKET HINGE PIN RETAINING RING	X	X	X	X	X
7	44371-000	DISC FOLLOWER STUD RETAINING RING (UPPER & LOWER)	X	X	X	X	X
8	446023-000	DISC FOLLOWER STUD	X	X	X	X	X
9	445646-000	DISC FOLLOWER	X	X	X	X	X
10	353585-000	DISC FOLLOWER STUD COLLAR	-	-	X	X	X
11	353548-000	DISC FOLLOWER STUD WASHER	-	-	X	X	X
12	353584-000	DISC FOLLOWER STUD	-	-	X	X	X
13	179897-000	DISC FOLLOWER SPRING	-	-	X	X	X
14	446404-000	DISC FOLLOWER	-	-	X	X	X
15	357699-905	NEEDLE POSITION SELECTOR LEVER KNOB	-	-	-	X	X
15	357699-904	NEEDLE POSITION SELECTOR LEVER KNOB	X	X	X	-	-
16	356065-000	NEEDLE POSITION SELECTOR LEVER	X	X	X	X	X
17	141913-451	NEEDLE POSITION SELECTOR LEVER SCREW	X	X	X	X	X
18	353547-000	NEEDLE POSITION SELECTOR LEVER BRACKET	X	X	X	X	X
19	356063-000	NEEDLE POSITION SELECTOR LEVER ASSEMBLY	X	X	X	X	X
20	44628-000	NEEDLE POSITION SELECTOR LEVER BRACKET	X	X	X	X	X
21	356062-000	NEEDLE POSITION SELECTOR LEVER BRACKET COMPLETE	X	X	X	X	X
22	113455-001	NEEDLE POSITION SELECTOR LEVER MOUNTING PLATE SCREW	X	X	X	X	X
23	446401-000	NEEDLE POSITION SELECTOR LEVER MOUNTING PLATE	X	X	X	X	X
24	54591-451	DISC FOLLOWER STUD NUT	X	X	X	X	X

NEEDLE POSITION



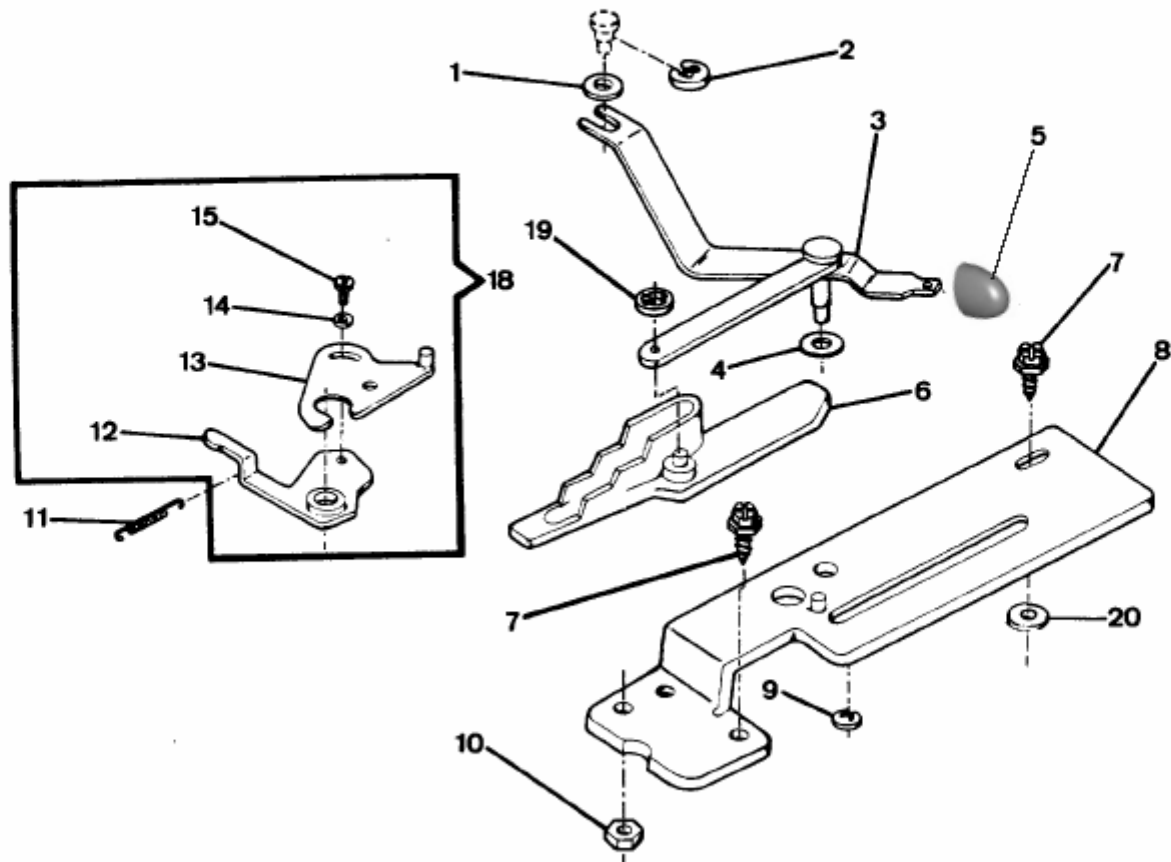
REV: \_\_\_\_\_  
DATE: \_\_\_\_\_

**NEEDLE POSITION**

REF.	PART NUMBER	DESCRIPTION	H	H	H	C	C
			D	D	D	G	G
			1	1	1	5	5
					1		5
			2	5			
1	446401-000	NEEDLE POSITION SELECTOR LEVER ADJUSTING PLATE	X	X	X	X	X
2	531736-000	NEEDLE POSITION SELECTOR LEVER BRACKET FOLLOWER STUD ARM /	X	X	X	X	X
3	445721-000	NEEDLE BAR DRIVING ARM SLIDE BRACKET RETAINING RING	X	X	X	X	X
4	356735-001	NEEDLE BAR DRIVING ARM SLIDE BRACKET COMPLETE	-	-	-	X	-
5	141913-451	NEEDLE POSITION LEVER BRACKET STUD ARM SET SCREW	X	X	X	X	X
6	113455-001	NEEDLE POSITION SELECTOR LEVER ADJUSTING PLATE SCREW	X	X	X	X	X
7	356774-900	DISC FOLLOWER STUD	-	-	-	-	X
8	54591-451	NEEDLE POSITION SELECTOR LEVER ADJUSTING PLATE SCREW NUT	X	X	X	X	X
9	445486-000	NEEDLE POSITION SELECTOR LEVER RETAINING RING	-	-	-	X	X
10	141913-451	NEEDLE POSITION SELECTOR LEVER SCREW	X	X	X	X	X
11	44628-000	NEEDLE POSITION SELECTOR LEVER BRACKET ASSEMBLY	X	X	X	X	X
12	356812-000	NEEDLE POSITION SELECTOR LEVER COMPLETE	-	-	-	X	X
13	356228-000	NEEDLE POSITION SELECTORLEVER BRACKET POSITIONING PIN	X	X	X	X	X
14	444800-000	NEEDLE POSITION SELECTOR LEVER BRACKET POSITIONING PIN SPRING	X	X	X	X	X
15	357699-905	NEEDLE POSITION SELECTOR LEVER KNOB	-	-	-	X	X
15	357699-904	NEEDLE POSITION SELECTOR LEVER KNOB	X	X	X	-	-



## DISC SELECTOR ASSEMBLY

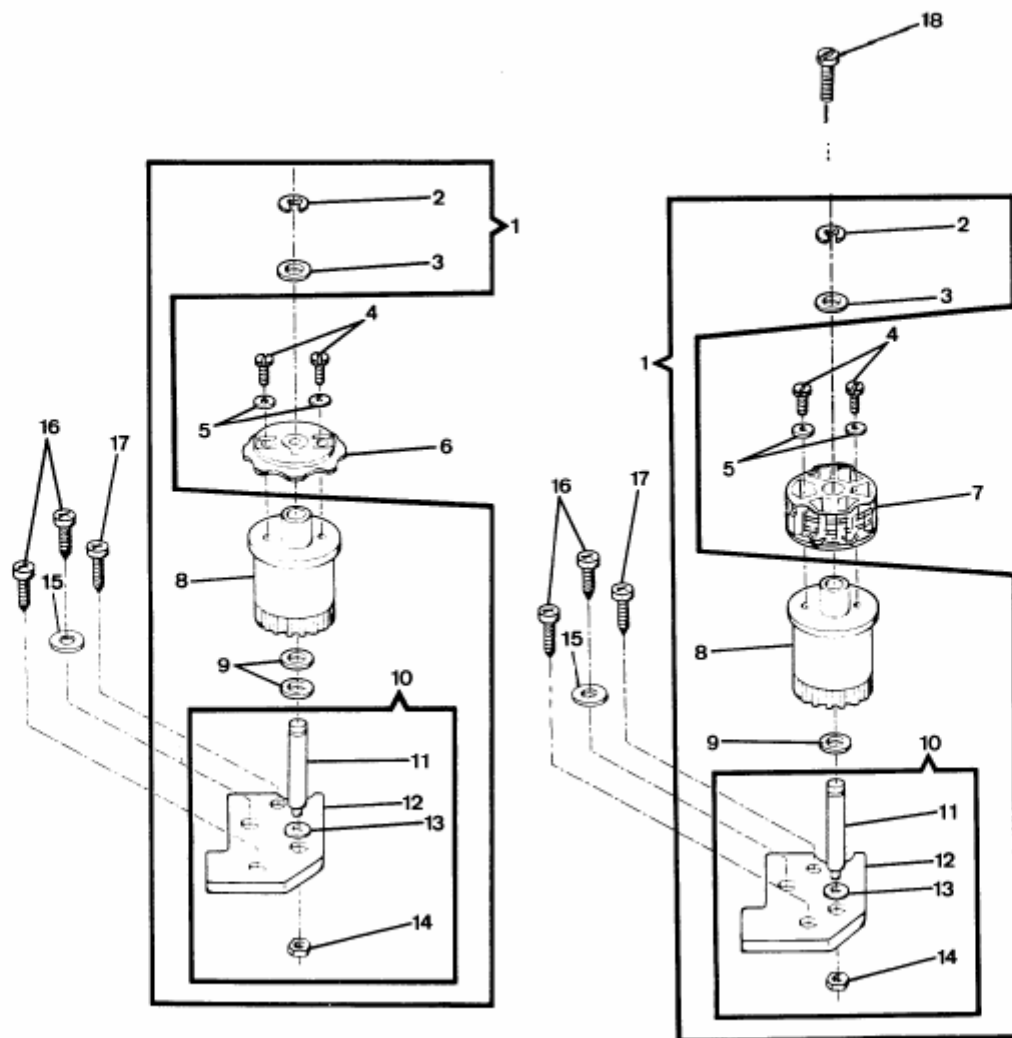


REV.:

DATE:

**DISC SELECTOR ASSEMBLY**

<b>REF.</b>	<b>PART NUMBER</b>	<b>DESCRIPTION</b>	<b>H D 1 0 2</b>	<b>H D 1 0 5</b>	<b>H D 1 1 0</b>	<b>C G 5 0 0</b>	<b>C G 5 5 0</b>
1	49204-000	PATTERN SELECTOR LEVER HINGE STUD WASHER	-	-	X	X	X
2	445486-000	PATTERN SELECTOR LEVER RETAINING RING	-	-	X	X	X
3	356069-000	PATTERN SELECTOR LEVER COMPLETE	-	-	X	X	X
4	446138-000	PATTERN SELECTOR DRIVE STUD WASHER	-	-	X	X	X
5	357699-905	NEEDLE POSITION SELECTOR LEVER KNOB	-	-	-	X	X
5	357699-904	NEEDLE POSITION SELECTOR LEVER KNOB	-	-	X	X	X
6	446406-000	PATTERN SELECTOR CAM SLIDE	-	-	X	X	X
7	113455-001	PATTERN SELECTOR MOUNTING PLATE SCREW	-	-	X	X	X
8	446405-000	PATTERN SELECTOR MOUNTING PLATE COMPLETE	-	-	X	X	X
9	408030-000	PATTERN SELECTOR LEVER RETAINING RING	-	-	X	X	X
10	54591-451	DISC FOLLOWER STUD NUT	-	-	X	X	X
11	446415-000	DISC FOLLOWER DISENGAGING LEVER SPRING	-	-	X	X	X
12	446412-000	DISC FOLLOWER DISENGAGING LEVER	-	-	X	X	X
13	446411-000	DISC FOLLOWER DISENGAGING LEVER PLATE ASSEMBLY	-	-	X	X	X
14	445808-452	DISC FOLLOWER DISENGAGING LEVER PLATE ADJ. SCREW WASHER	-	-	X	X	X
15	141913-451	DISC FOLLOWER DISENGAGING LEVER PLATE ADJUSTING SCREW	-	-	X	X	X
18	446410-000	DISC FOLLOWER DISENGAGING LEVER PLATE COMPLETE	-	-	X	X	X
19	446417-000	PATTERN SELECTOR CAM SLIDE CONNECTING LINK RETAINING RING	-	-	X	X	X
20	353488-000	PATTERN SELECTOR MOUNTING PLATE SPACER	-	-	X	X	X

**CAM STACK**

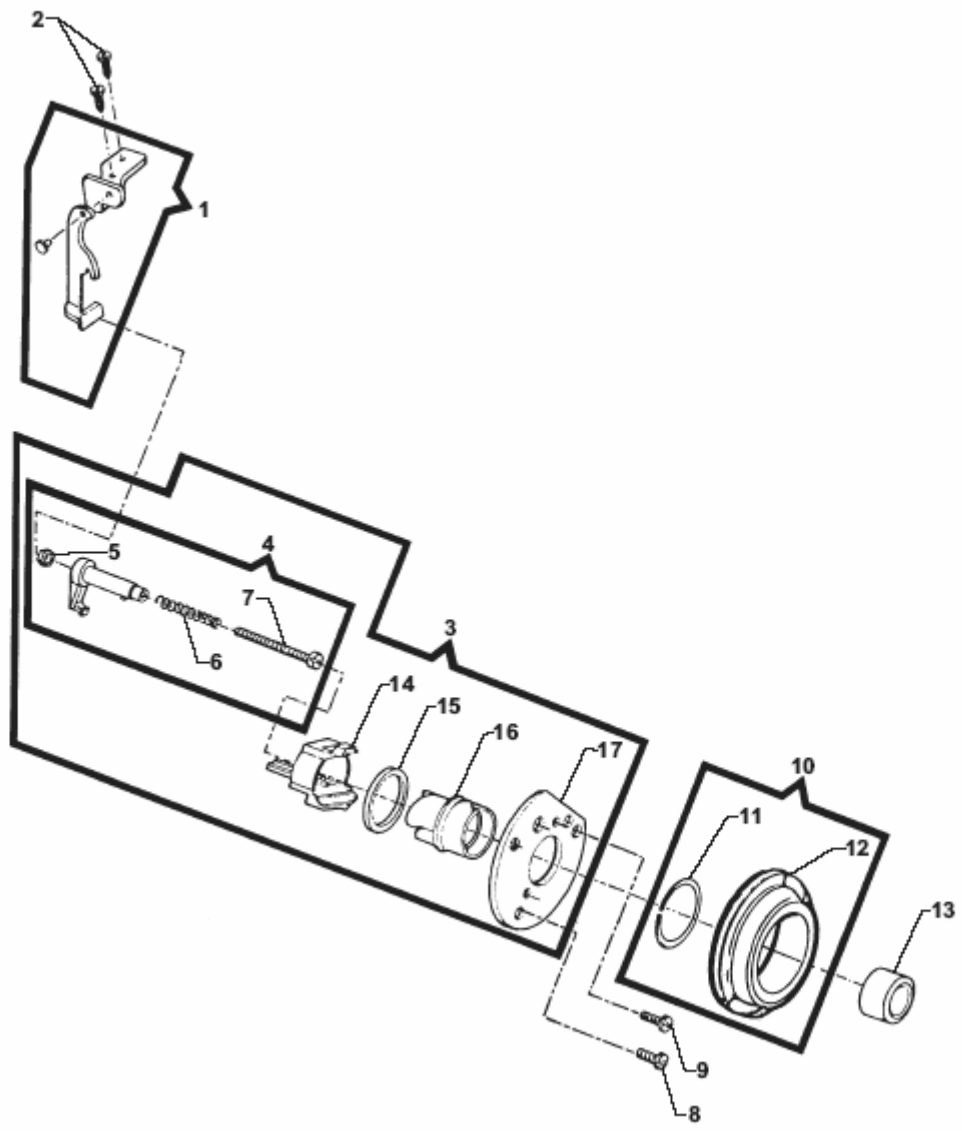
REV.: \_\_\_\_\_

DATE: \_\_\_\_\_

## CAM STACK

REF.	PART NUMBER	DESCRIPTION	H	H	H	C	C
			D	D	D	G	G
			1	1	1	5	5
			0	0	1	0	5
			2	5	0	0	0
1	446421-930	DISC DRIVING GEAR COMPLETE	X	-	-	-	-
1	353288-930	DISC DRIVING GEAR COMPLETE	-	X	-	-	-
1	353288-931	DISC DRIVING GEAR COMPLETE	-	-	X	X	X
2	444921-000	DISC DRIVING GEAR RETAINING RING	X	X	X	X	X
3	444923-453	DISC DRIVING GEAR SHAFT FRICTION WASHER	X	X	X	X	X
4	113375-451	DISC STACK POSITIONING SCREW	X	X	-	-	-
4	141920-451	DISC STACK POSITIONING SCREW	-	-	X	X	X
5	446138-000	DISC STACK POSITIONING SCREW WASHER	X	X	X	X	X
6	445762-000	DISC STACK (PLASTIC)	X	-	-	-	-
7	353287-000	DISC STACK	-	X	X	X	X
8	179958-000	DISC DRIVING GEAR	X	X	-	-	-
8	445754-930	DISC DRIVING GEAR	-	-	X	X	X
9	353424-000	DISC DRIVING GEAR SHAFT SPACER	X	X	X	X	X
10	446420-000	DISC DRIVING GEAR SHAFT MOUNTING PLATE ASSEMBLY	X	X	X	X	X
11	446418-000	DISC DRIVING GEAR SHAFT	X	X	-	-	-
11	446418-001	DISC DRIVING GEAR SHAFT	-	-	X	X	X
12	353575-000	DISC DRIVING GEAR SHAFT MOUNTING PLATE	X	X	X	X	X
13	353488-000	DISC DRIVING GEAR SHAFT WASHER	X	X	X	X	X
14	53648-451	DISC DRIVING GEAR SHAFT NUT	X	X	X	X	X
15	353375-451	DISC DRIVING GEAR SHAFT MOUNTING PLATE SCREW WASHER	X	X	X	X	X
16	113435-451	DISC DRIVING GEAR SHAFT MOUNTING PLATE SCREW	X	X	X	X	X
17	113455-001	DISC DRIVING GEAR SHAFT MOUNTING PLATE SCREW	X	X	X	X	X
18	354654-451	DISC DRIVING GEAR (COMPLETE) SUPPORT MOUNTING SCREW	-	-	-	-	-

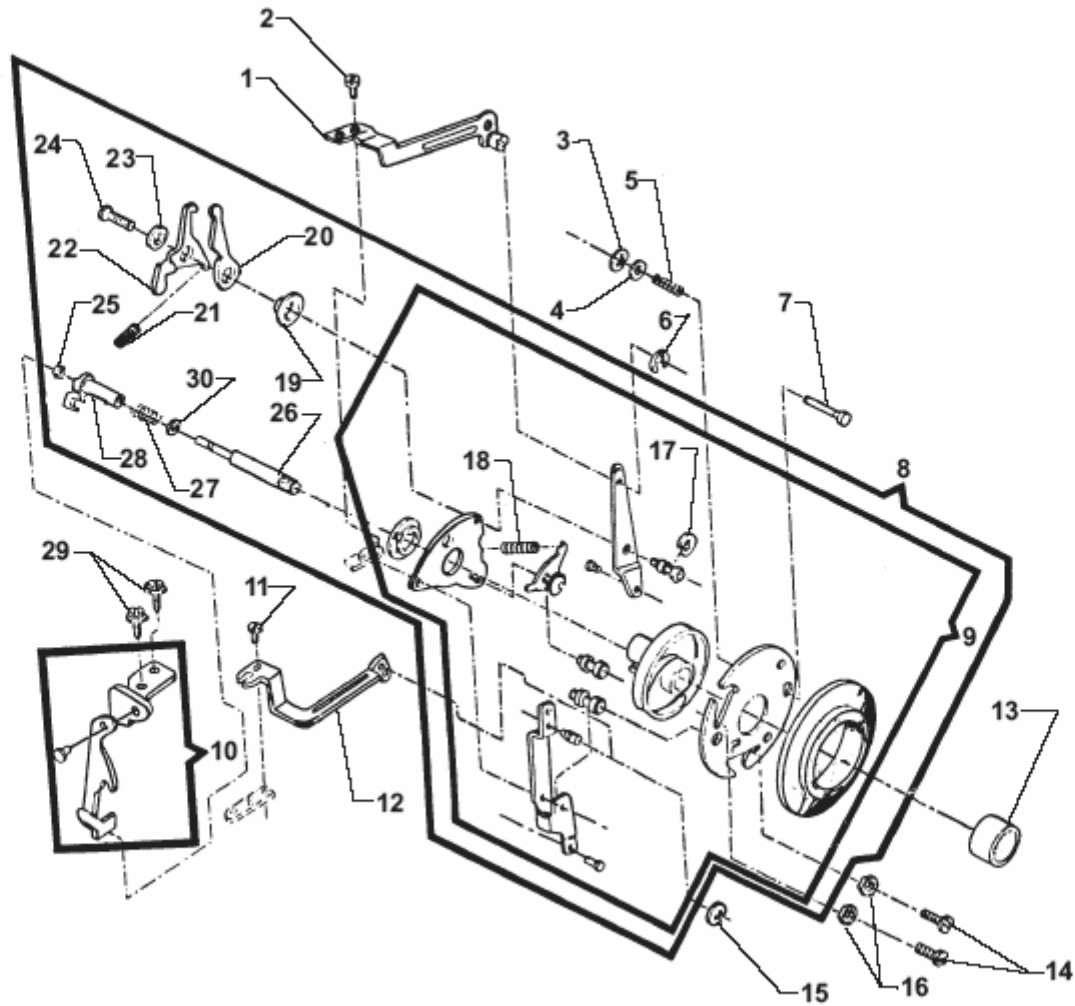
FEED REGULATOR CAM



REV.: \_\_\_\_\_  
DATE: \_\_\_\_\_

**FEED REGULATOR CAM**

REF.	PART NUMBER	DESCRIPTION	H	H	H	C	C
			D	D	D	G	G
			1	1	1	5	5
			0	0	1	0	5
			2	5	0	0	0
1	353304-000	FEED REGULATOR CONTROL ARM ASSEMBLY	X	-	-	-	-
2	113455-001	FEED REGULATOR CONTROL ARM MOUNTING BRACKET SCREW	X	-	-	-	-
3	353478-000	FEED REGULATOR CAM COMPLETE	X	-	-	-	-
4	356397-000	FEED REGULATOR CAM FOLLOWER	X	-	-	-	-
5	618638-005	FEED REGULATOR CAM FOLLOWER POSITIONING SPRING NUT	X	-	-	-	-
6	44892-000	FEED REGULATOR CAM FOLLOWER POSITIONING SPRING	X	-	-	-	-
7	354975-451	FEED REGULATOR CAM FOLLOWER POSITIONG SCREW	X	-	-	-	-
8	531806-451	FEED REGULATOR MOUNTING PLATE SCREW (RIGHT)	X	-	-	-	-
9	531807-451	FEED REGULATOR MOUNTING PLATE SCREW (LEFT)	X	-	-	-	-
10	356998-459	FEED REGULATOR CONTROL DIAL ASSEMBLY	X	-	-	-	-
11	445461-000	FEED REGULATOR CONTROL DIAL RETAINING RING	X	-	-	-	-
12	356997-931	FEED REGULATOR CONTROL DIAL	X	-	-	-	-
13	356115-464	FEED REGULATOR POSITIONING PIN KNOB	X	-	-	-	-
14	446284-000	FEED REGULATOR MOUNTING PLATE	X	-	-	-	-
15	446282-000	FEED REGULATOR FRICTION WASHER	X	-	-	-	-
16	353477-000	FEED REGULATOR CAM	X	-	-	-	-
17	446283-000	FEED REGULATOR MECHANISM MOUNTING PLATE	X	-	-	-	-

**BUTTONHOLER & FEED REGULATOR CAM**

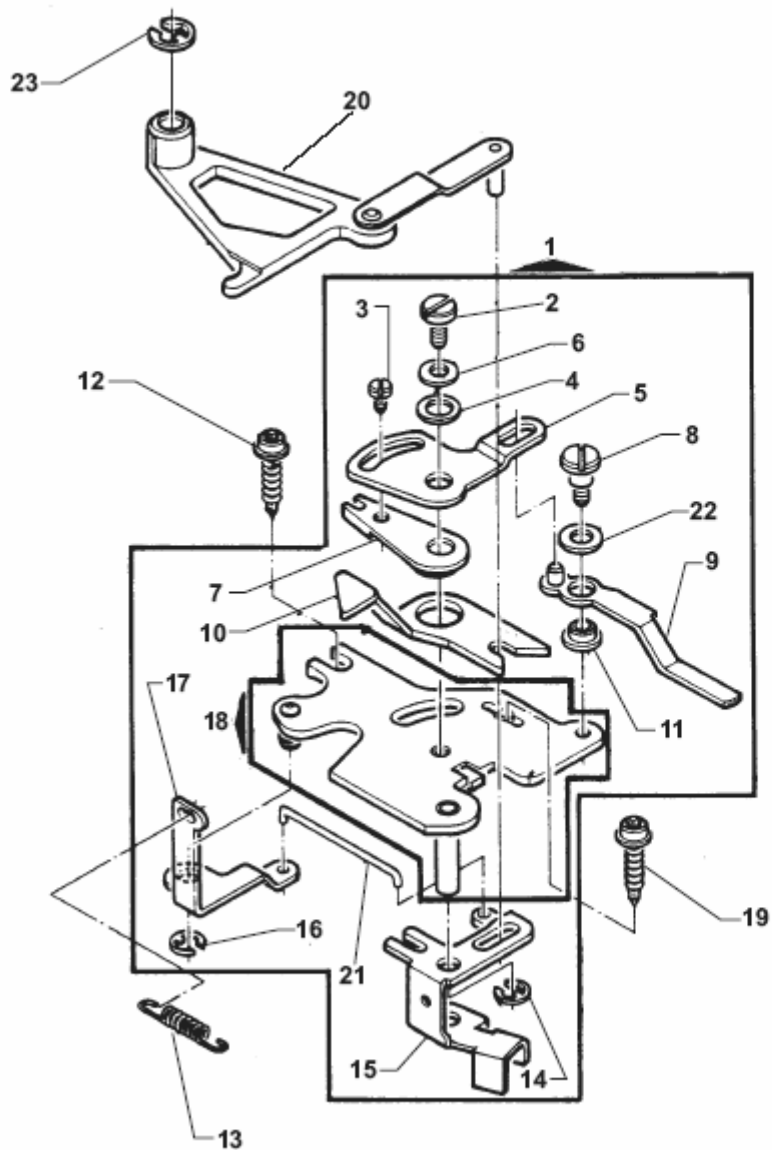
REV: \_\_\_\_\_  
DATE: \_\_\_\_\_

BUTTONHOLER & FEED REGULATOR CAM

REF.	PART NUMBER	DESCRIPTION	H D 1 0 2	H D 1 0 5	H D 1 1 0	C G 5 0 0	C G 5 0 0
1	353536-000	BH.NEEDLE POSITION CAM FOLLOWER LEVER LINK (RIGHT)	-	X	X	X	X
2	141913-451	BH.ND.POS.CAM FOLLOWER LEVER LINK (LEFT & RIGHT) SCREW	-	X	X	X	X
3	408030-000	BH.& FEED REGULATOR MECHANISM MTG.PLATE STUD RET.RING	-	X	X	X	X
4	445808-000	BH.& FEED REG.MECH.MTG.PLATE STUD SPRING WASHER	-	X	X	X	X
5	179949-000	BUTTONHOLER & FEED REG.MECH.MTG.PLATE STUD SPRING	-	X	X	X	X
6	445486-000	BH.BIGHT CONTROL CAM FOL.LEVER LINK (RIGHT) RET.RING	-	X	X	X	X
7	356230-000	BUTTONHOLER & FEED REGULATOR MECH.MTG.PLATE STUD	-	X	X	X	X
8	357012-938	BUTTONHOLER & FEED REGULATOR CAM COMPLETE	-	-	-	X	-
8	357010-947	BUTTONHOLER & FEED REGULATOR CAM COMPLETE	-	-	-	-	X
8	357012-937	BUTTONHOLER & FEED REGULATOR CAM COMPLETE	-	X	-	-	-
8	357010-945	BUTTONHOLER & FEED REGULATOR CAM COMPLETE	-	-	X	-	-
9	357013-458	BUTTONHOLER & FEED REGULATOR CAM ASSEMBLY	-	-	-	-	-
9	356959921	BUTTONHOLER & FEED REGULATOR CAM ASSEMBLY	-	-	-	-	-
9	357011-470	BUTTONHOLER & FEED REGULATOR CAM ASSEMBLY	-	-	-	-	-
10	353304-000	FEED REGULATOR CONTROL ARM ASSEMBLY	-	X	X	X	X
11	141913-451	BUT. BIGHT CONT. CAM FOL. LEVER LINK(LEFT & RIGHT)SCREW	-	X	X	X	X
12	356748-000	BH.BIGHT CONTROL CAM FOLLOWER LEVER LINK (RIGHT)	-	X	X	X	X
13	356653481	FEED REGULATOR POSITIONING PIN KNOB	-	-	-	X	X
13	356653-480	FEED REGULATOR POSITIONING PIN KNOB	-	X	X	X	X
14	113513-451	BUTTONHOLER & FEED REGULATOR MECH.MTG.PLATE SCREW	-	X	X	X	X
15	445486-000	BH.RIGHT CONTROL CAM FOL.LEVER LINK (RIGHT) RET.RING	-	X	X	X	X
16	53640-819	BUTTONHOLER & FEED REG.MECH.MTG.PLATE SCREW NUT	-	X	X	X	X
17	353215-000	BUTTONHOLER NEEDLE POS.CAM FOLLOWER LEVER RET.RING	-	X	X	X	X
18	353495-000	BUTTONHOLER & FEED REG.CONTROL DIAL PAWL SPRING	-	X	X	X	X
19	353319-000	CAM CONTROL FEED ENG.CAM FOLLOWER & LEVER BUSHING	-	X	X	X	X
20	353321-000	CAM CONTROL FEED ENGAGING CAM FOLLOWER LEVER	-	X	X	X	X
21	353495-000	CAM CONTROL FEED ENG.CAM FOLLOWER & LEVER SPRING	-	X	X	X	X
22	353320-000	CAM CONTROL FEED ENGAGING CAM FOLLOWER	-	X	X	X	X
23	445539-000	CAM CONTROL FEED ENG.CAM FOLLOWER & LEVER WASHER	-	X	X	X	X
24	113372-451	CAM CONTROL FD.ENG.CAM FOLLOWER & LEVER MTG.SCREW	-	X	X	X	X
25	618638-005	FEED REGULATOR POSITIONING PIN CARRIER INSERT NUT	-	X	X	X	X
26	356650-000	FEED REGULATOR POSITIONING PIN	-	X	X	X	X
27	44892-000	FEED REGULATOR POSITIONING PIN FRICTION SPRING	-	X	X	X	X
28	357094-000	FEED REGULATOR POSITIONING PIN CARRIER	-	X	X	X	X
29	113455-001	FEED REGULATOR CONTROL ARM SCREW	-	X	X	X	X
30	356830-001	FEED REGULATOR POSITIONING PIN WASHER	-	X	X	X	X



CAM CONTROLLED FEED

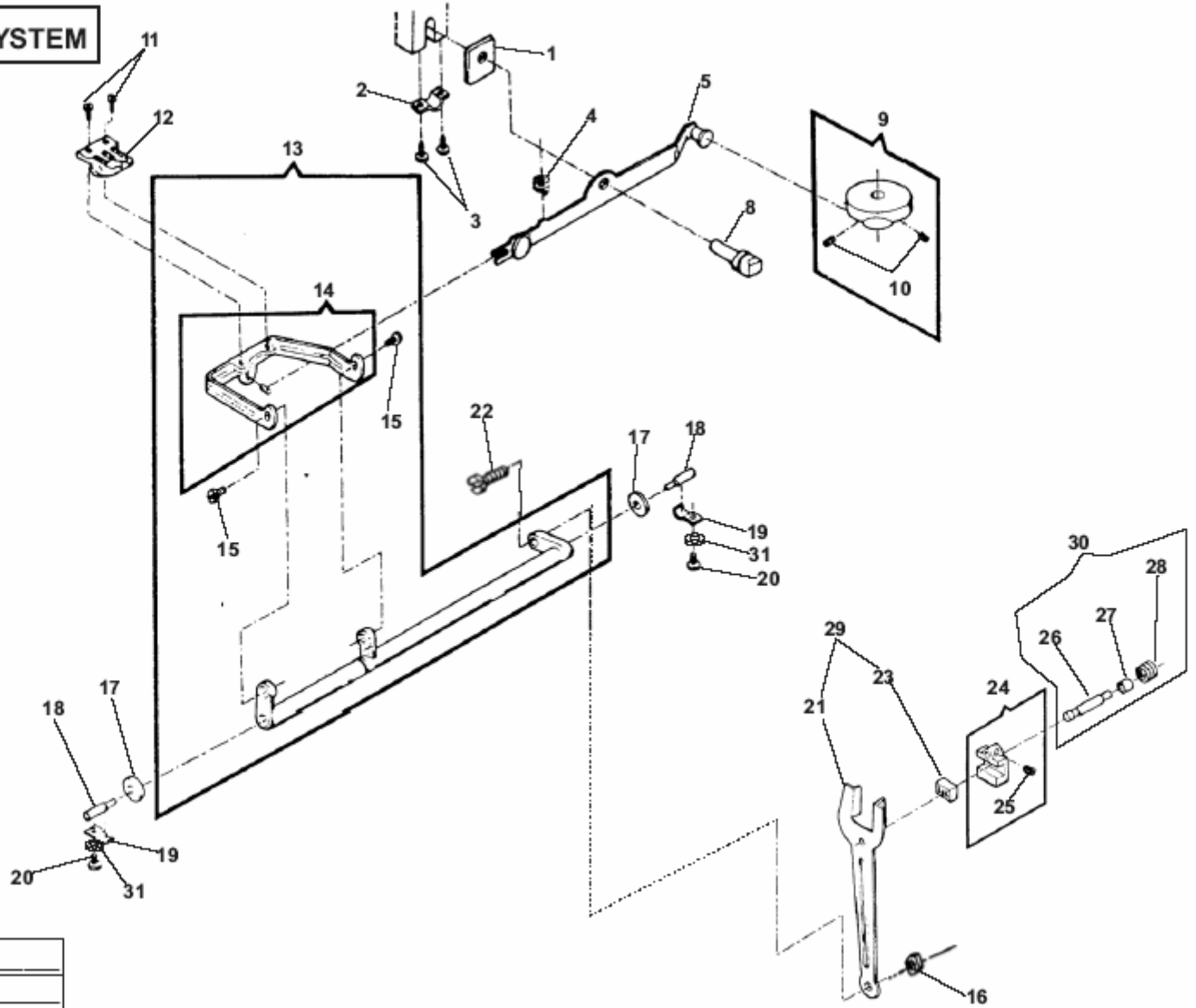


REV: \_\_\_\_\_  
DATE: \_\_\_\_\_

**CAM CONTROLLED FEED**

<b>REF.</b>	<b>PART NUMBER</b>	<b>DESCRIPTION</b>	<b>H</b>	<b>H</b>	<b>H</b>	<b>C</b>	<b>C</b>
			<b>D</b>	<b>D</b>	<b>D</b>	<b>G</b>	<b>G</b>
			<b>1</b>	<b>1</b>	<b>1</b>	<b>5</b>	<b>5</b>
			<b>0</b>	<b>0</b>	<b>1</b>	<b>0</b>	<b>5</b>
			<b>2</b>	<b>5</b>	<b>0</b>	<b>0</b>	<b>0</b>
1	531749-001	CAM CONTROLLED FEED MOUNTING BRACKET COMPLETE	-	-	X	-	X
2	113423-451	CAM CONTROLLED FEED BALANCE ADJUSTING PLATE HINGE SCREW	-	-	X	-	X
3	141913-451	CAM CONTROLLED FEED BALANCE ADJUSTING SCREW	-	-	X	-	X
4	353492-000	CAM CONTROLLED FEED BALANCE ADJUSTING SCREW SPRING WASHER	-	-	X	-	X
5	531754-000	CAM CONTROLLED FEED BALANCE ADJUSTING PLATE	-	-	X	-	X
6	543531-000	CAM CONTROLLED FEED BALANCE ADJUSTING SCREW WASHER	-	-	X	-	X
7	353331-000	CAM CONTROLLED FEED DRIVING ARM ECCENTRIC	-	-	X	-	X
8	113424-451	CAM CONTROLLED FEED BALANCE ADJUSTING LEVER HINGE SCREW	-	-	X	-	X
9	531752-453	CAM CONTROLLED FEED BALANCE ADJUSTING LEVER ASSEMBLY	-	-	X	-	X
10	353330-001	CAM CONTROLLED FEED DRIVING ARM	-	-	X	-	X
11	353334-000	CAM CONTROLLED FEED BALANCE ADJUSTING LEVER MOUNTING BUSHING	-	-	X	-	X
12	355243-451	CAM CONTROLLED FEED MOUNTING BRACKET SCREW	-	-	X	-	X
13	356605-000	FEED REGULATOR CONTROL ARM BIAS LINK SPRING	-	-	X	-	X
14	445721-000	CAM CONTROLLED FEED ENGAGING CRANK RETAINING RING	-	-	X	-	X
15	353329-000	CAM CONTROLLED FEED ENGAGING CRANK	-	-	X	-	X
16	445486-000	CAM CONTROLLED FEED FOLLOWER & LINK RETAINING RING	-	-	X	-	X
17	356166-000	CAM CONTROLLED FEED ENGAGING CRANK LEVER	-	-	X	-	X
18	531750-000	CAM CONTROLLED FEED MOUNTING BRACKET ASSEMBLY	-	-	X	-	X
19	113455-003	CAM CONTROLLED FEED MOUNTING BRACKET SCREW (RIGHT	-	-	X	-	X
20	356839-000	CAM CONTROLLED FEED FOLLOWER & LINK ASSEMBLY	-	-	X	-	X
21	353473-000	CAM CONTROLLED FEED ENGAGING CRANK LINK	-	-	X	-	X
22	179898-001	CAM CONTROLLED FEED BALANCE ADJUSTING LEVER WASHER	-	-	X	-	X
<u>23</u>	445486-000	CAM CONTROLLED FEED FOLLOWER & LINK ASSEMBLY			X		X
		RETAINING RING	-	-	X	-	X

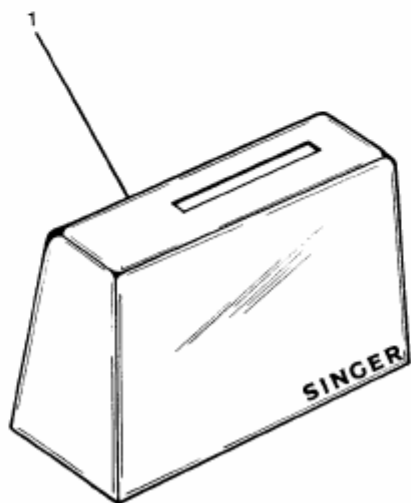
FEED SYSTEM



REV: \_\_\_\_\_  
DATE: \_\_\_\_\_

**FEED SYSTEM**

<b>REF.</b>	<b>PART NUMBER</b>	<b>DESCRIPTION</b>	<b>H D 1 0 2</b>	<b>H D 1 0 5</b>	<b>H D 1 0 0</b>	<b>C G 5 0 0</b>	<b>C G 5 0 0</b>
1	179955-0000	FEED LIFTING LEVER HINGE STUD (ECCENTRIC) SPACER	X	X	X	X	X
2	446485-000	FEED LIFTING LEVER HINGE STUD (ECCENTRIC) CLAMP	X	X	X	X	X
3	113455-001	FEED LIFTING LEVER HINGE STUD (ECCENTRIC) CLAMP SCREW	X	X	X	X	X
4	446249-000	FEED LIFTING LEVER SPRING	X	X	X	X	X
5	356222-001	FEED LIFTING LEVER ASSEMBLY	X	X	X	X	X
8	353448-000	FEED LIFTING LEVER HINGE STUD (ECCENTRIC)	X	X	X	X	X
9	446228-000	FEED LIFTING CAM	X	X	X	X	X
10	544118-000	FEED LIFTING CAM SCREW	X	X	X	X	X
11	355235-451	FEED DOG SCREW	X	X	X	X	X
12	179891-000	FEED DOG	X	X	X	X	X
13	446216-000	FEED ROCK SHAFT COMPLETE	X	X	X	X	X
14	446205-000	FEED BAR ASSEMBLY	X	X	X	X	X
15	354939-451	FEED BAR HINGE SCREW	X	X	X	X	X
16	53648-451	FEED FORKED CONNECTING SCREW STUD NUT	X	X	X	X	X
17	353397-000	FEED ROCK SHAFT CENTER (LEFT) NOISE DAMPENING WASHER	X	X	X	X	X
18	446487-001	FEED ROCK SHAFT CENTER	X	X	X	X	X
19	446484-000	FEED ROCK SHAFT CENTER CLAMP (LEFT & RIGHT)	X	X	X	X	X
20	113455-001	FEED ROCK SHAFT CENTER SUPPORTING BRACKET SCREW	X	X	X	X	X
21	531926-000	FEED FORKED CONNECTING	X	X	X	X	X
22	531623-451	FEED FORKED CONNECTING HINGE SCREW (ECCENTRIC)	X	X	X	X	X
23	44437-000	FEED FORKED CONNECTING SLIDE BLOCK	X	X	X	X	X
24	446244-000	FEED REGULATOR ASSEMBLY	X	X	X	X	X
25	141925-833	FEED REGULATOR SET SCREW	X	X	X	X	X
26	446483-000	FEED REGULATOR HINGE STUD	X	X	X	X	X
27	445768-000	FEED REGULATOR RETURN SPRING BUSHING (PLASTIC)	X	X	X	X	X
28	179890-000	FEED REGULATOR RETURN SPRING	X	X	X	X	X
29	531927-000	FEED FORKED CONNECTION WITH SLIDE BLOCK	X	X	X	X	X
30	353600-000	FEED REGULATOR HINGE STUD ASSEMBLY	X	X	X	X	X
31	353357-451	FEED ROCK SHAFT CENTER SUPPORTING BRACKET SCREW WASHER	X	X	X	X	X

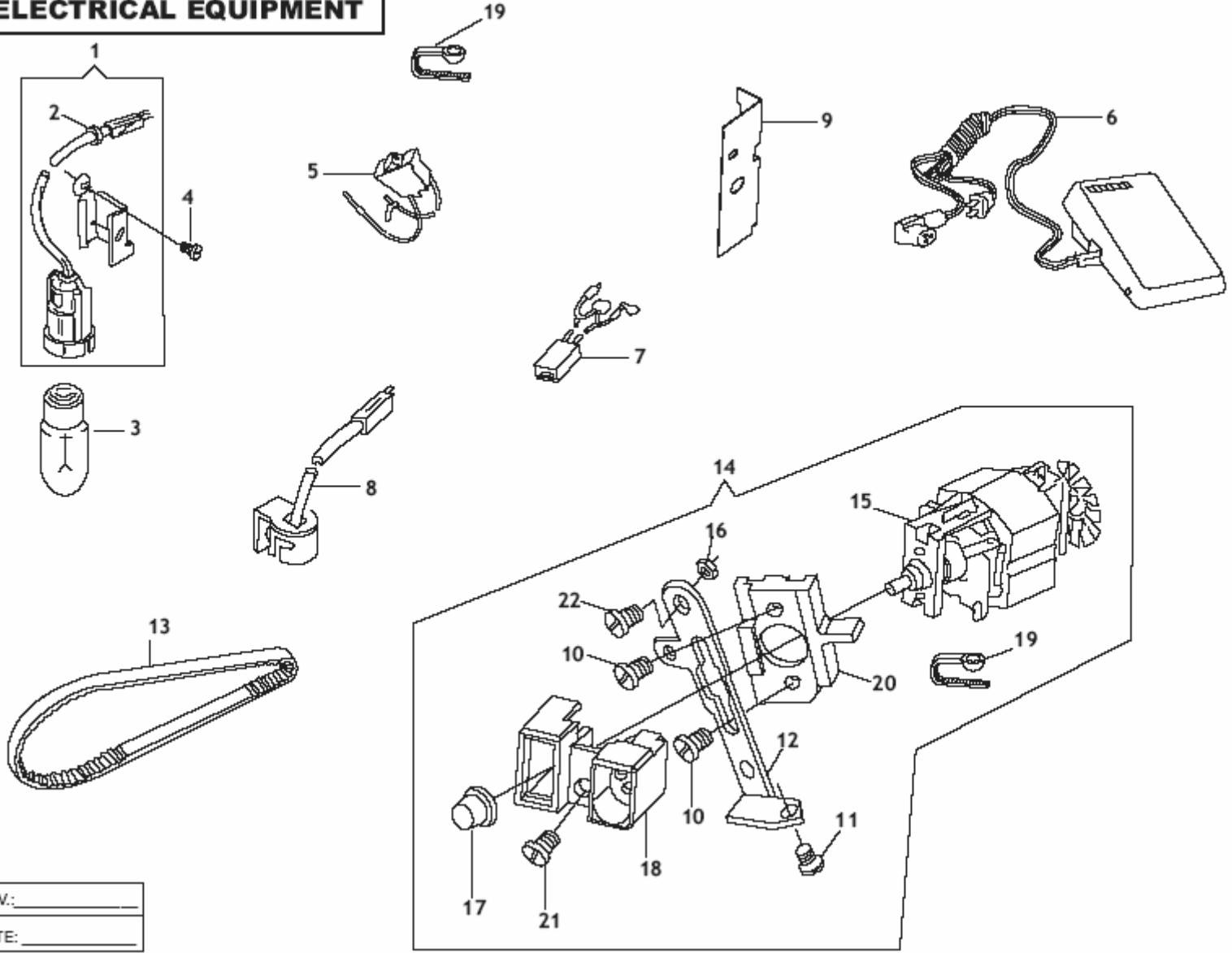
**OPTIONS**

REV.:	_____
DATE:	_____

**OPTIONS**

<i>REF.</i>	<i>PART NUMBER</i>	<i>DESCRIPTION</i>	<i>H</i>	<i>H</i>	<i>H</i>	<i>C</i>	<i>C</i>
			<i>D</i>	<i>D</i>	<i>D</i>	<i>G</i>	<i>G</i>
			<i>1</i>	<i>1</i>	<i>1</i>	<i>5</i>	<i>5</i>
			<i>0</i>	<i>0</i>	<i>1</i>	<i>0</i>	<i>5</i>
			<i>2</i>	<i>5</i>	<i>0</i>	<i>0</i>	<i>0</i>
1	356392-452	SOFT VINIL COVER (TUBULAR BED)	X	X	X	X	X
2	116863-000	FINGER GUARD	X	X	X	X	X

**ELECTRICAL EQUIPMENT**



REV: \_\_\_\_\_  
DATE: \_\_\_\_\_

**ELECTRICAL EQUIPMENT**

<b>REF.</b>	<b>PART NUMBER</b>	<b>DESCRIPTION</b>	<b>H</b>	<b>H</b>	<b>H</b>	<b>C</b>	<b>C</b>
			<b>D</b>	<b>D</b>	<b>D</b>	<b>G</b>	<b>G</b>
			<b>1</b>	<b>1</b>	<b>1</b>	<b>5</b>	<b>5</b>
			<b>0</b>	<b>0</b>	<b>1</b>	<b>0</b>	<b>5</b>
			<b>2</b>	<b>5</b>	<b>0</b>	<b>0</b>	<b>0</b>
1	605488-025	LIGHT LEAD COMPLETE CAT L9 (IEC CONSTRUCTION)	X	X	X	X	X
2	179908-000	LIGHT LEAD GROMMET	X	X	X	X	X
3	358207-120	LAMP (120V)	X	X	X	X	X
3	358207-220	LAMP (220/250V)	X	X	X	X	X
4	354592-451	LIGHT SOCKET MOUNTING SCREW	X	X	X	X	X
5	362307-003	SWITCH COMPLETE	X	X	X	X	X
6	362095-050	CONTROLLER	X	X	X	X	X
7	988764-003	LIGHT CONNECTOR HARNESS	X	X	X	X	X
8	362160-002	LIGHT COMPLETE	X	X	X	X	X
9	179901-000	HEAT SHIELD (WITHOUT GRAPHICS)	X	X	X	X	X
9	179910-451	LIGHT SHIELD (WITH GRAPHICS) (FOR US/CANADA)	X	X	X	X	X
10	362264-901	MOTOR MOUNTING PLATE CLAMP SCREW	X	X	X	X	X
11	113370-451	MOTOR MOUNTING PLATE SCREW (LOWER)	X	X	X	X	X
12	356803-901	MOTOR MOUNTING PLATE	X	X	X	X	X
13	353518-001	MOTOR BELT (V)	X	X	X	X	X
14	362180-027	MOTOR COMPLETE (USA)	X	X	X	X	X
14	362180-028	MOTOR COMPLETE (NON REG.)	X	X	X	X	X
14	362180-029	MOTOR COMPLETE (EUROPA)	X	X	X	X	X
15	988752-010	SERIES MOTOR MODULE	X	X	X	X	X
16	313470-452	MOTOR MOUNTING PLATE SCREW NUT	X	X	X	X	X
17	988761-001	MOTOR PULLEY	X	X	X	X	X
18	362239-001	COMMUTATOR END	X	X	X	X	X
19	605600-004	TYE RAP	X	X	X	X	X
20	362237-901	MOTOR MOUNTING PLATE SPACER	X	X	X	X	X
21	362263-901	COMUTATOR END CLAMP SCREW	X	X	X	X	X
22	113372-451	MOTOR MOUNTING PLATE SCREW (UPPER)	X	X	X	X	X