

**SINGER**  
CSP1

# **PARTS LIST**

## **COMPACT STEAM PRESS**

**Model CSP1**

**P/N 284691-001**

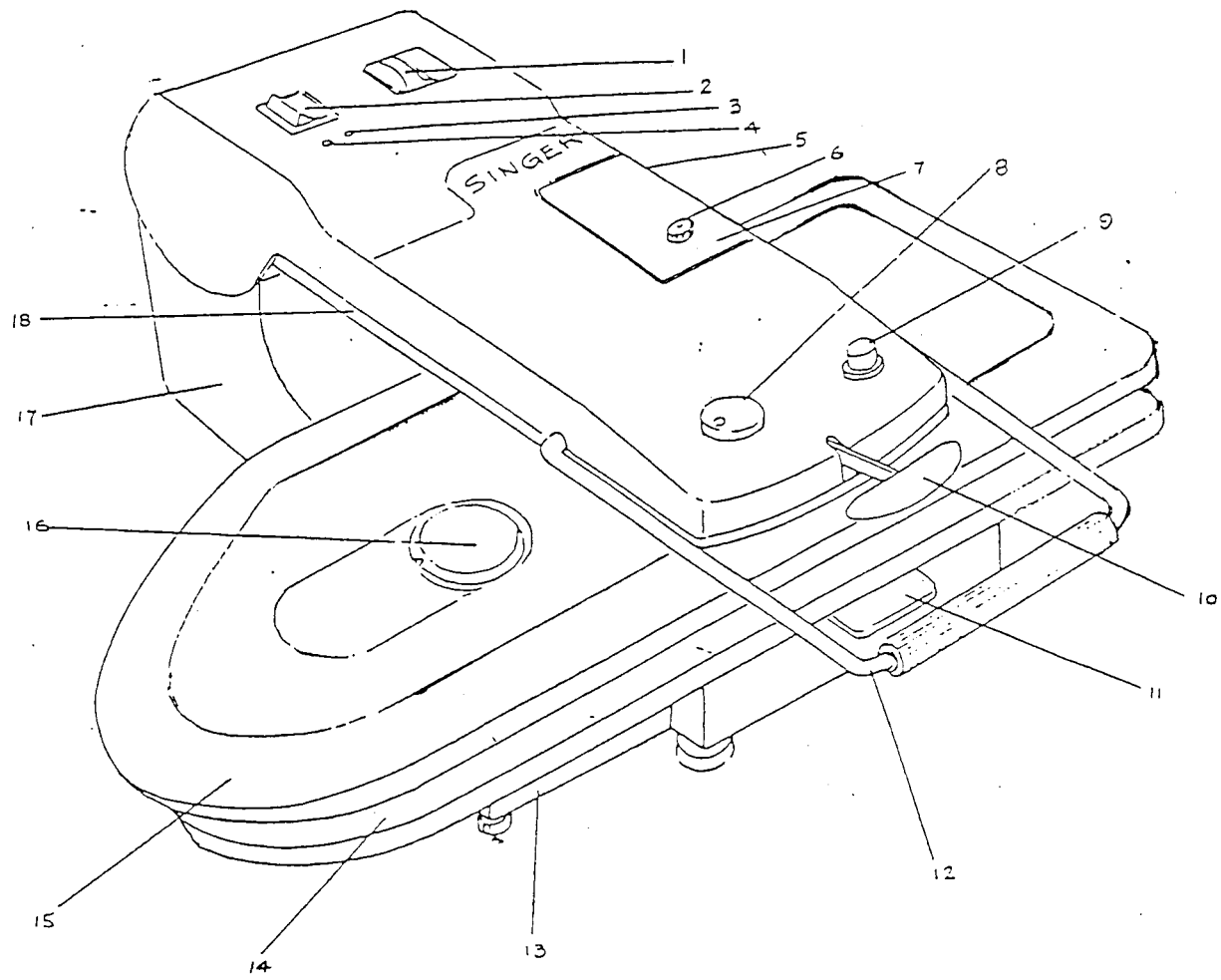


FIGURE A

COMPACT STEAM PRESS CSPI  
PART LIST

COMPACT STEAM PRESS CSPI  
\*REFER TO FIGURE - A

<u>ITEM NO.</u>	<u>DESCRIPTION</u>
1	Lock Knob
2	On Off Switch
3	Lens (Yellow)
4	Lens (Red)
5	Drain Knob
6	Water Tank Cap Assmebly
7	Water Tank Assembly
8	Steam Adjusting Knob
9	Rotation Release Button
10	Burst Handle
11	Board Lock Button
12	Handle
13	Balancing Leg
14	Ironing board
15	Pressing Plate
16	Temperature Control Knob
17	Bed
18	Press Arm

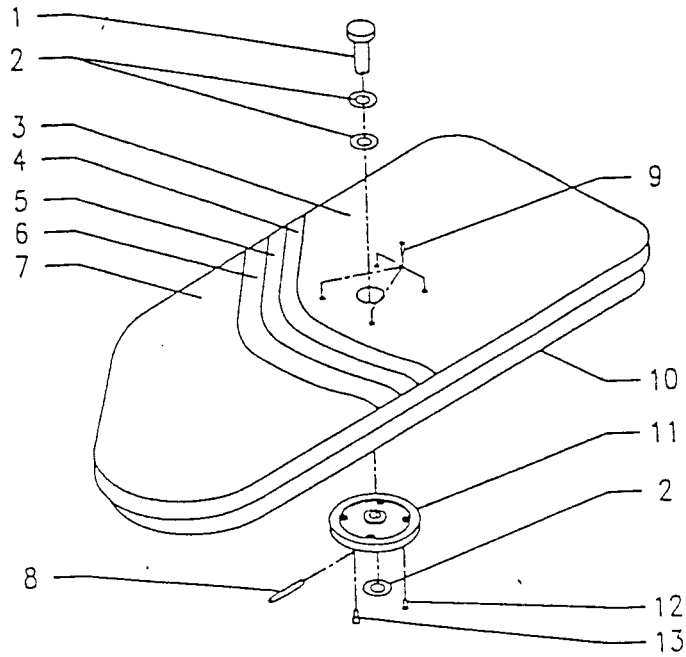


FIGURE B

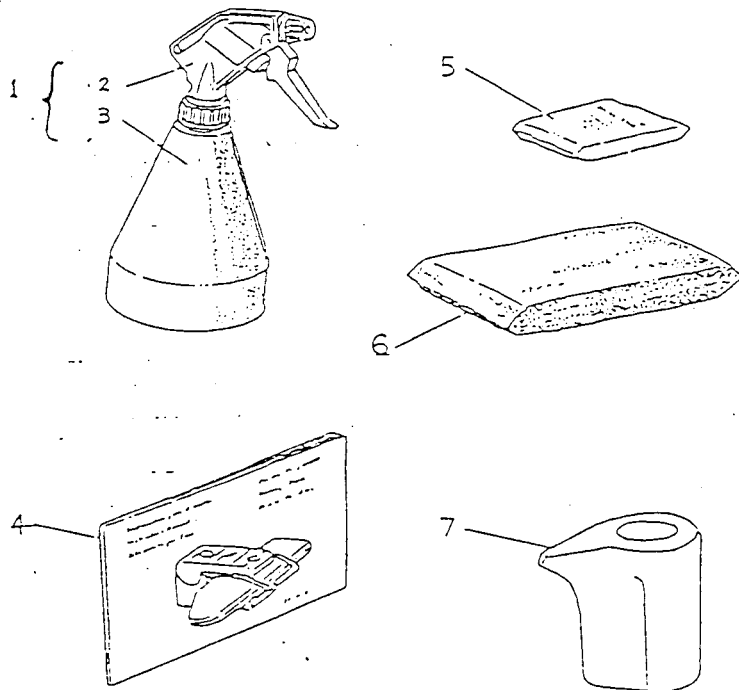


FIGURE C

COMPACT STEAM PRESS CSPI  
PART LIST

IRONING BOARD  
\* REFER TO FIGURE - B

ITEM NO.	PART NAME	PART NO.	QTY
1	Board Rotation Pin	287668-000	1
2	Washer	287669-000	3
3	Wooden Board	287670-000	1
	Steel Board	287670-010	1
4	Al Foil	287671-000	1
5	Stuffing for Idem	287672-000	1
6	Formed Ironing Back-up	287673-000	1
7	Formed Ironing Cloth	287674-000	1
8	Expansion Pin	287675-000	1
9	Screw (steel board)	287676-000	4
10	Vinly Covering (wooden board)	287677-000	1
11	Steel Board Support (steel board)	287678-000	1
12	Screw	287679-000	1
13	Board Fixer	287680-000	1

ACCESSARY  
\* REFER TO FIGURE - C

ITEM NO.	PART NAME	PART NO.	QTY
1	Sprayer bottom assembly	284913-000	1
2	Sprayer Head	284155-000	1
3	Sprayer Bottom	284156-000	1
4	Instruction book (E/S/F)	284690-001	1
5	Desiccator bag	284221-000	1
7	Fill Beaker	284056-000	1
6	Smoothing pillow	284142-000	1

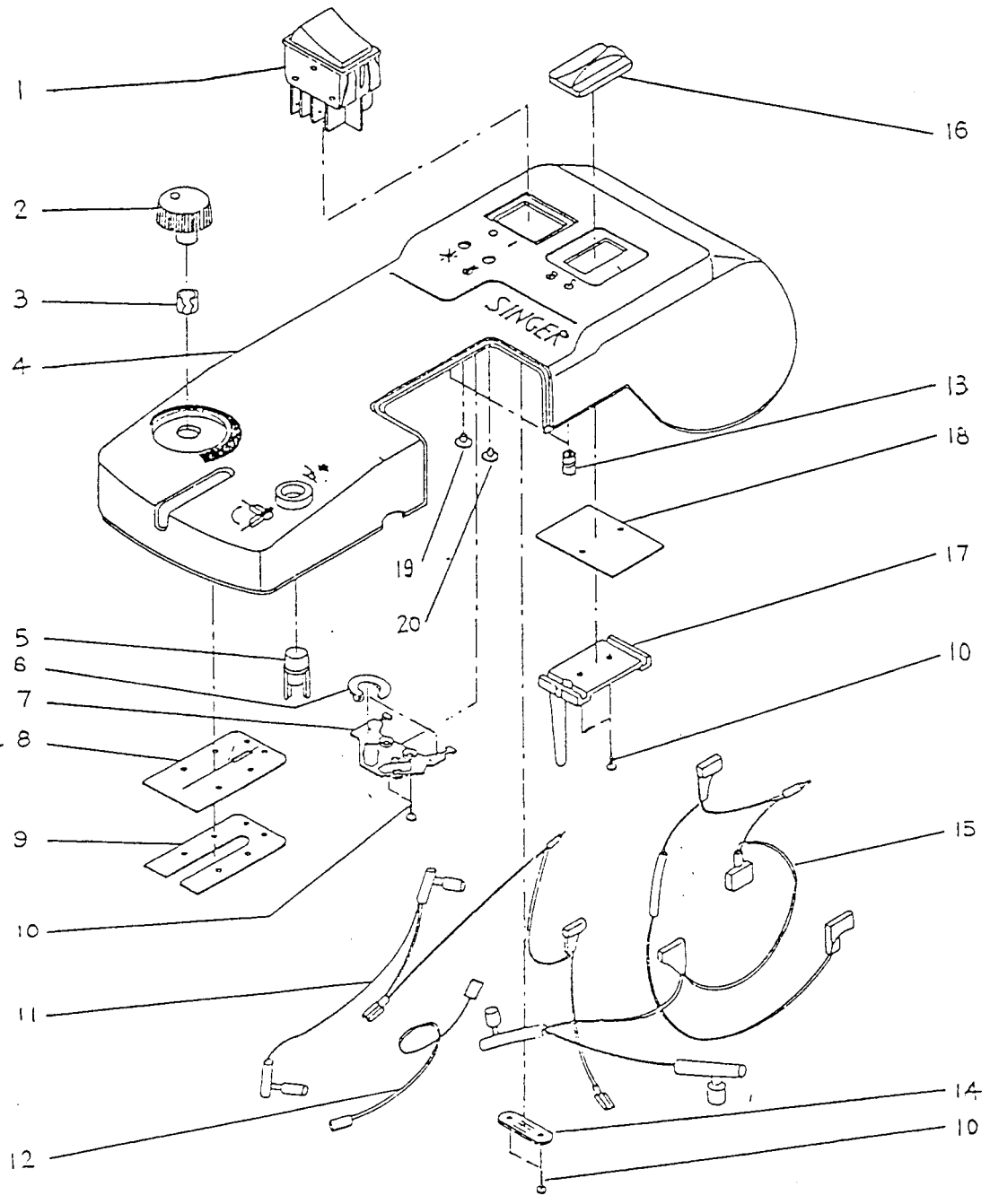


FIGURE D

COMPACT STEAM PRESS CSPI  
PART LIST

COVER ASSEMBLY

\* REFER TO FIGURE - D

ITEM NO.	PART NAME	PART NO.	QTY
1	On Off Switch	284624-000	1
2	Steam Adjusting Knob	284625-000	1
3	Steam Adjusting knob ring	284016-000	1
4	Top Cover	284626-000	1
5	Rotation Release Button	284627-000	1
6	Cable Tie	284628-000	2
7	Lens holder	284629-000	1
8	Slit Cover	284630-000	1
9	Slit Cover Support	284631-000	1
10	Screw	284177-000	6
11	Wire assembly (230V)	284632-000	1
	Wire assembly (120V)	284632-010	1
12	Wire assembly (230V only)	284633-000	1
13	Insert	284086-000	2
14	Strain Relief Plate	284634-000	1
15	Wire assembly (230V)	284635-000	1
	Wire assembly (120V)	284635-010	1
16	Lock Knob	284636-000	1
17	Lock Knob Support	284637-000	1
18	Lock Knob Plate	284638-000	1
19	Lens (Red)	284639-000	1
20	Lens (Yellow)	284639-010	1



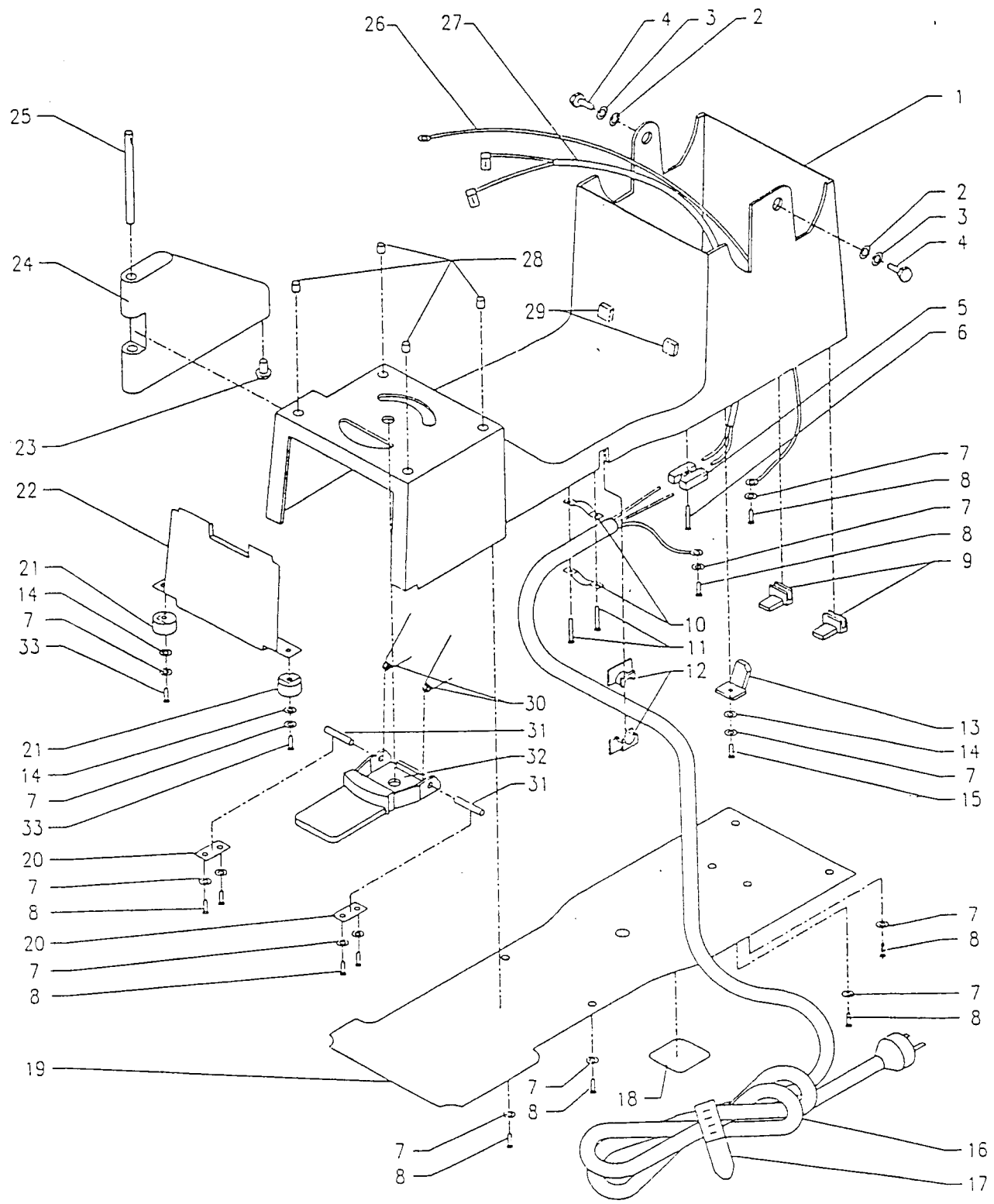


FIGURE E

COMPACT STEAM PRESS CSPI  
PART LIST

BED ASSEMBLY  
\* REFER TO FIGURE - E

ITEM NO.	PART NAME	PART NO.	QTY
		284562-000	1
1	Bed	284563-000	2
2	Coned Disc spring washer	284564-000	2
3	Retaining washer	284565-000	2
4	Screw	284175-000	1
5	Terminal block	284179-000	1
6	Screw	284196-000	12
7	M4 Retaining washer	284183-000	10
8	Screw	284566-000	2
9	Rear Foot	284567-000	1
10	Strain Relief Assembly	284568-000	2
11	Screw	284179-000	2
	Screw (for ACSPS18C)	284569-000	2
12	Cable Pass	284570-000	1
13	Wire Clamp	284197-000	3
14	Washer	284571-000	1
15	Screw	284572-000	1
16	Cable Assembly (230V TUV)	284572-010	1
	Cable Assembly (120V UL)	284573-000	1
17	Strip Tie	284574-000	1
18	Rating Label (TUV)	284574-010	1
	Rating Label (UL)	284575-000	1
19	Basic Sheet	284576-000	2
20	Clamp Plate I	284577-000	2
21	Front Foot	284578-000	1
22	Bed Front Cover	284579-000	1
23	Balancing Leg Foot	284580-000	1
24	Balancing Leg	284581-000	1
25	Balancing Leg Shaft	284582-000	1
26	Wire Assembly (230V)	284582-010	1
	Wire Assembly (120V)	284583-000	1
27	Wire Assembly (230V)	284583-010	1
	Wire Assembly (120V)	284584-000	4
28	Board support Leg	284117-000	1
29	Rubber Buffer	284585-000	2
30	Board Lock Spring	284586-000	2
31	Board Lock Shaft	284587-000	1
32	Board Lock Button	284588-000	2
33	Screw		

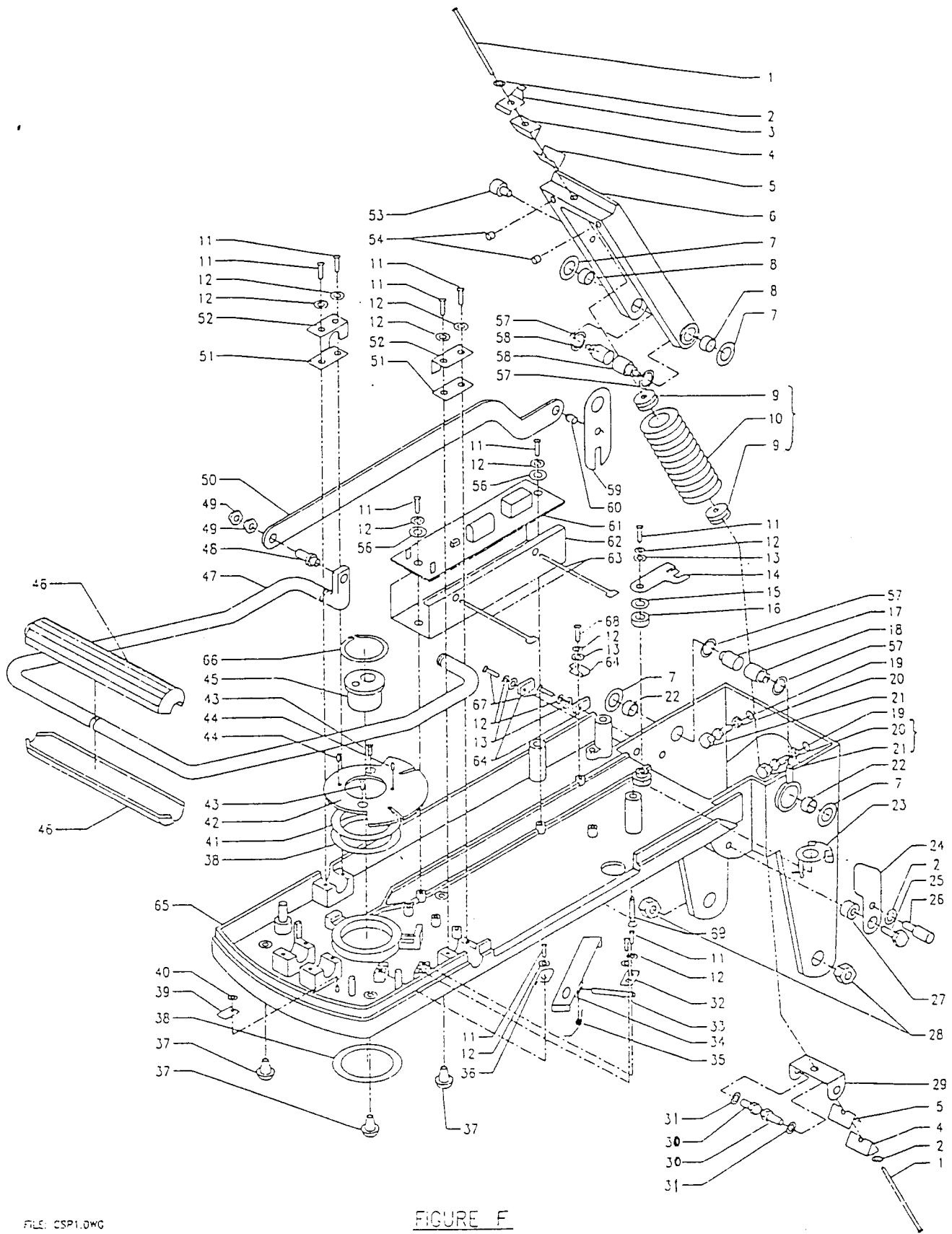


FIGURE F

COMPACT STEAM PRESS CSP1  
PART LIST

ARM PRESS ASSEMBLY  
\* REFER TO FIGURE - F

ITEM NO.	PART NAME	PART NO.	QTY
1	Screw	284501-000	2
2	Washer	284502-000	2
3	Safety Stop Plate	284503-000	1
4	Anchor Nut	284504-000	2
5	Support Pressure Sheet	284505-000	2
6	Fork Lever	* 284506-000	1
7	Sintered Bearing cover plate	* 284144-000	4
8	Sinter Bearing	* 284143-000	2
9	Spring Insert	* 284507-000	2
10	Spring	* 284508-000	1
11	Screw	284183-000	10
12	M4 Retaining washer	284196-000	10
13	Washer	284197-000	4
14	Lock Plate	284509-000	1
15	Wave Washer	284510-000	1
16	Spacer	284511-000	1
17	Shaft (Upper-L)	284512-000	1
18	Shaft (Upper-R)	284513-000	1
19	Hexagonal Nut	284101-000	2
20	Special Screw	* 284514-000	2
21	Special Screw Rubber	* 284150-000	2
22	Sinter Bearing	284515-000	2
23	Tube Guide	284516-000	1
24	Activating Lever	284517-000	1
25	Activating Lever Pivot Screw	284518-000	1
26	Activating Lever Screw	284519-000	1
27	Activating Lever Pivot Spacer	284520-000	1
28	Flange Nut	284154-000	2
29	Anchor Bracket	284521-000	1
30	Screw	284522-000	2
31	Coned Disc spring washer	284523-000	2
32	Clamp Plate I	284524-000	1
33	Rotation Lever Pivot	284525-000	1
34	Rotation Lock Lever	284526-000	1
35	Rotation Lever Return Spring	284527-000	1
36	Clamp Plate II	284528-000	1
37	Rubber Buffer	284529-000	3
38	Rotation washer	284530-000	2

\* Parts not separately available, order assembly part number

COMPACT STEAM PRESS CSP1PART LIST

## ARM PRESS ASSEMBLY

\* REFER TO FIGURE - F

ITEM NO.	PART NAME	PART NO.	QTY
39	Clamp Plate	284531-000	1
40	Push Washer	284191-000	1
41	Rotation washer	284532-000	1
42	Indexing Plate	284533-000	1
43	Screw	284534-000	2
44	Spring Pin	284535-000	2
45	Rotation Bushing Plug	284536-000	1
46	Handle Cover	* 284537-000	2
47	Handle	* 284538-000	1
48	Pivot Pin	* 284539-000	1
49	M6 Nut	284540-000	2
50	Closing Connect Rod	* 284541-000	1
51	Handle Clamp Plate	284105-000	2
52	Handle clamp square	284542-000	2
53	Shaft	* 284543-000	1
54	Board support Leg	284544-000	2
56	Washer	284545-000	2
57	Washer	284546-000	4
58	Shaft (Lower)	284547-000	2
59	Closing Lever	284548-000	1
60	Pivot Pin	* 284549-000	1
61	Auto Shut Off (230V TUV)	284550-000	1
	Auto Shut Off (230V)	284551-000	1
	Auto Shut Off (all 120V)	284552-000	1
62	PCB Insulator	284553-000	1
64	Cable Clamping Collar	284120-000	3
65	Press Arm	* 284554-000	1
66	C-Retaining Ring	284555-000	1
67	Screw	284556-000	2
68	Screw	284181-000	1
69	Screw	284185-000	2
7,22,65	Press Arm Assembly	284557-000	1
46,47,48	Handle Assembly	284558-000	1
6,7,8,53	Fork Lever Assembly	284559-000	1
9,10	Spring Assembly	284560-000	1
50,60	Closing Rod Assembly	284561-000	1
20,21	Special Screw Assembly	284909-000	2

\* Parts not separately available, order assembly part number as shown.

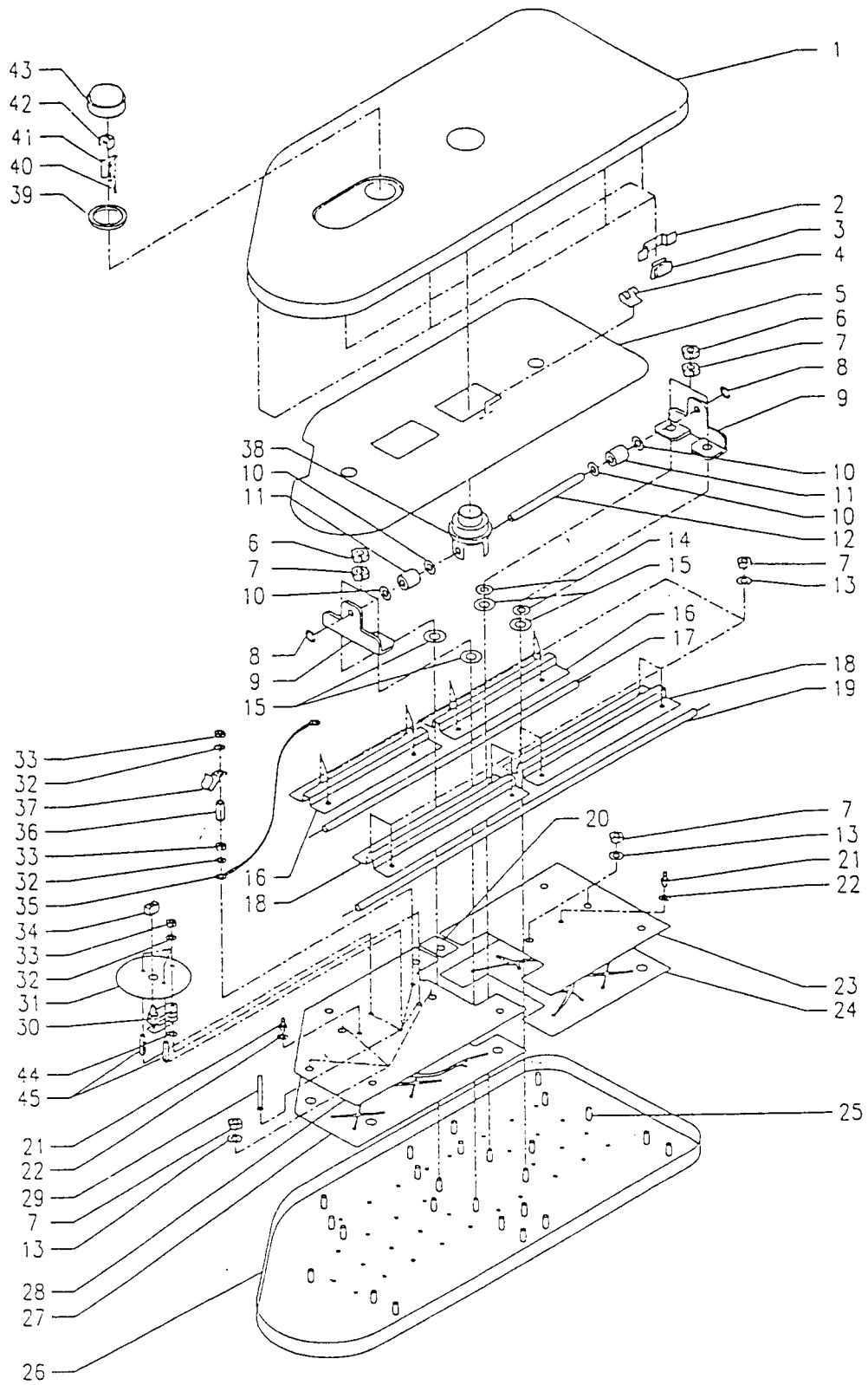


FIGURE G

COMPACT STEAM PRESS CSP1  
PART LIST

SOLEPLATE ASSEMBLY  
\* REFER TO FIGURE - G

ITEM NO.	PART NAME	PART NO.	QTY
1	Soleplate cover	* 284589-000	1
2	Cover Clamping Plate	* 284127-000	6
3	Plate Arm Lock	284128-000	6
4	Hose Clamp	284077-000	1
5	Reflector	284590-000	1
6	M6 Nut	284591-000	4
7	M6 Nut	284131-000	25
8	E-Ring	284592-000	2
9	Soleplate Support	284593-000	2
10	Washer	284594-000	4
11	Spacer	284595-000	2
12	Soleplate Rotation Shaft	284596-000	1
13	Spring Washer	284205-000	21
14	Washer	284597-000	2
15	Washer	284130-000	4
16	Short Heater Cover	284598-000	2
17	Heater Assembly	284599-000	1
	Heater Assembly (100V only)	284599-010	1
18	Long Heater Cover	284600-000	2
19	Heater Assembly	284601-000	1
	Heater Assembly (100V only)	284601-010	1
20	Heat Plate Spacer	284602-000	1
21	Water Tube Fitting	284047-000	2
22	Washer	284603-000	2
23	Small Heat Plate	284604-000	1
24	Small Manifold	284605-000	1
25	Weld Stud	* 284004-000	25
26	Soleplate	* 284606-000	1
27	Large Manifold	284607-000	1
28	Large Heat Plate	284608-000	1
29	Screw	284609-000	4
30	Thermostat (230V)	284610-000	1
	Thermostat (120V)	284610-010	1
31	Heat Insulator	284611-000	1
32	M4 Retaining washer	284196-000	6
33	M4 Nut	284136-000	6
34	Temperature Knob Adaptor	284612-000	1
35	Earth wire assembly (230V)	284613-000	1

\*Parts not separately available, order assembly part number

COMPACT STEAM PRESS CSPI  
PART LIST

SOLEPLATE ASSEMBLY  
\* REFER TO FIGURE - G

ITEM NO.	PART NAME	PART NO.	QTY
35	Earth wire assembly (120V)	284613-010	1
36	Fuse Spacer	284614-000	1
37	Bracket	284167-000	1
38	Soleplate Rotation Bushing	284615-000	1
39	Knob Ring	284616-000	1
40	Screw	284617-000	3
41	Coupling Slider	284618-000	1
42	Temperture Knob Coupling	284619-000	1
43	Temperature Knob	284620-000	1
44	Washer	284199-000	1
45	Spacer	284621-000	2
1,2	Soleplate cover assembly	284622-000	1
25,26	Stud Assembly	284623-000	1



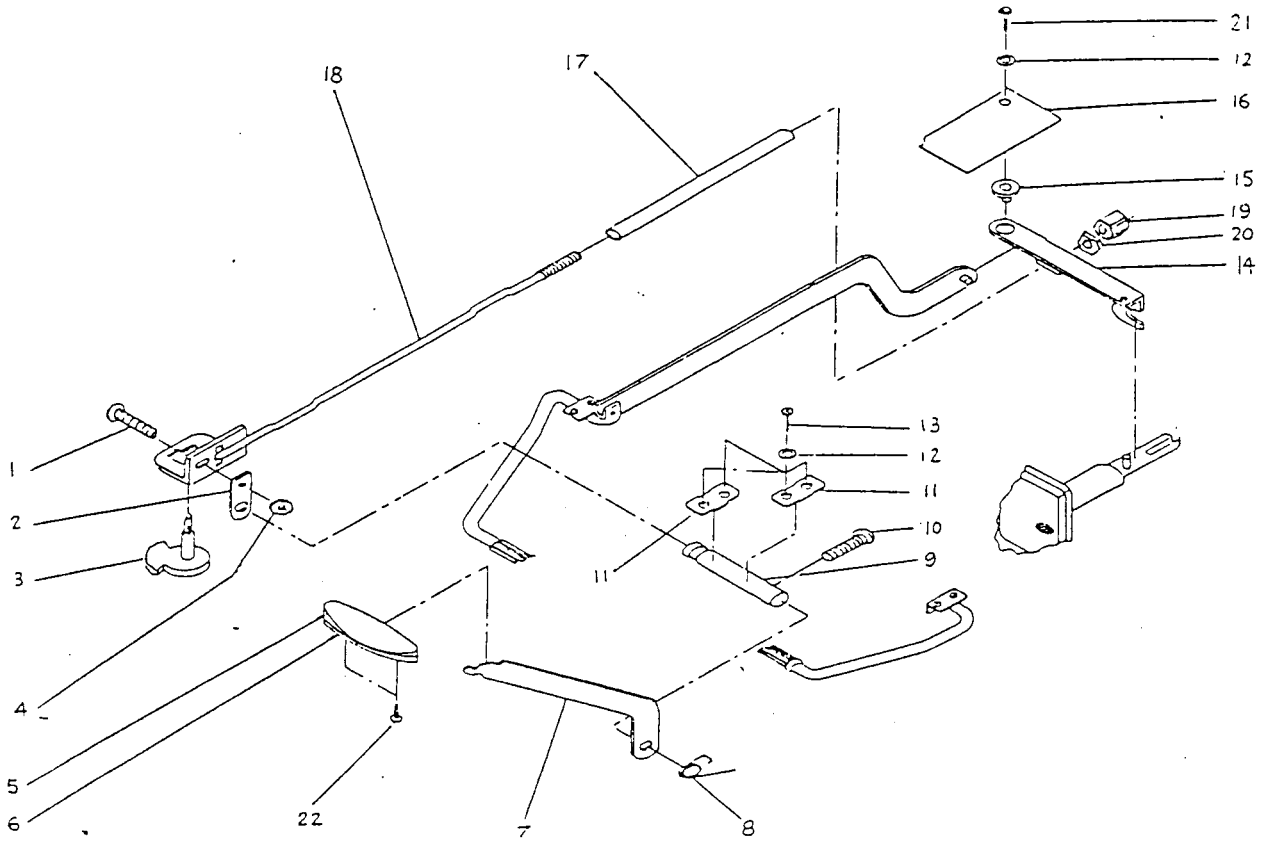


FIGURE H

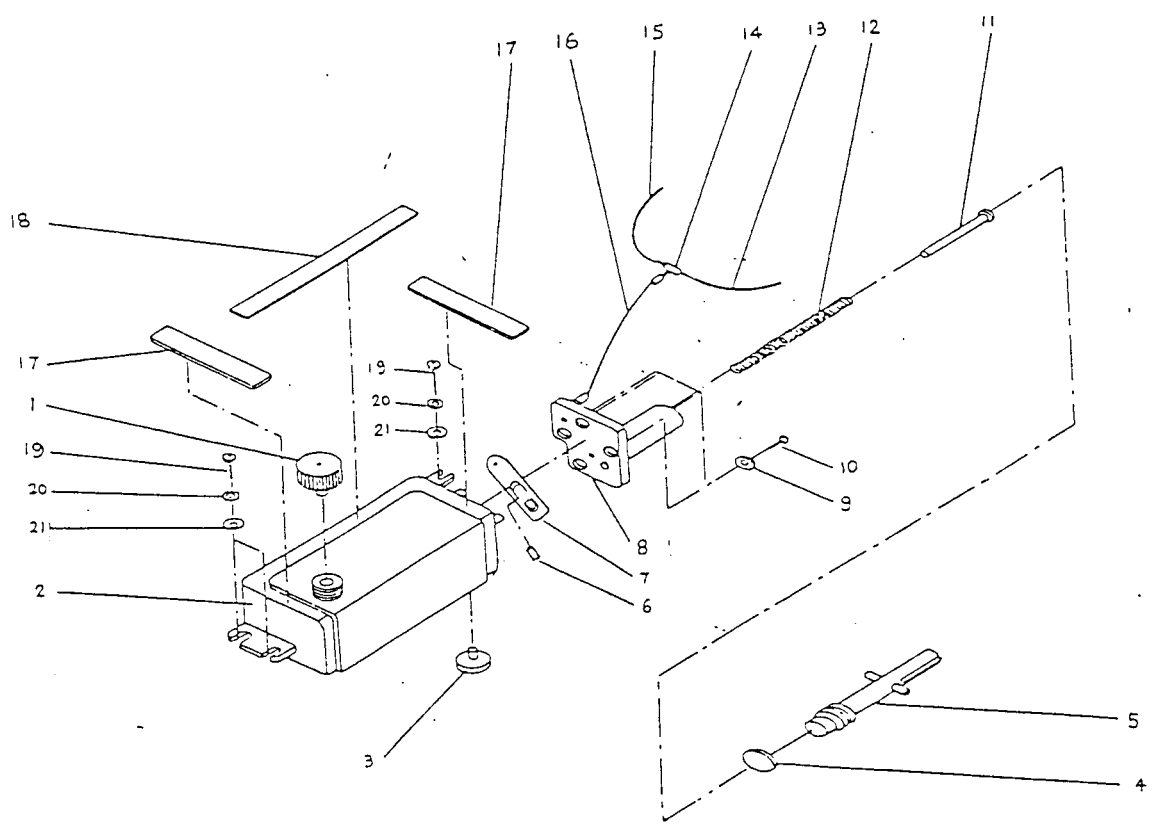


FIGURE J

COMPACT STEAM PRESS CSPI  
PART LIST

STEAM BURST LINKAGE ASSEMBLY  
\* REFER TO FIGURE - H

ITEM NO.	PART NAME	PART NO.	QTY
1	Screw	284640-000	1
2	Steam Ajustion Follower Link	284641-000	1
3	Steam Adjusting Cam	284642-000	1
4	Hexagonal Nut	284101-000	1
5	Upper Burst Handle Cover	284643-000	1
6	Lower Burst Handle cover	284644-000	1
7	Burst Handle	284645-000	1
8	Burst Lever Return Spring	284646-000	1
9	Burst Handle Pivot	284647-000	1
10	Screw	284187-000	1
11	Handle Clamp Plate	284105-000	2
12	M4 Retaining washer	284196-000	5
13	Screw	284183-000	4
14	Rocker Link	284648-000	1
15	Rocker Link Bush	284649-000	1
16	Wire Insulator	284650-000	1
17	Tube	284651-000	1
18	Control Link Assembly	284652-000	1
19	Control Link Adjusting nut	284043-000	1
20	Hexagonal Nut	284069-000	1
21	Screw	284184-000	1
22	Screw	284653-000	2

COMPACT STEAM PRESS CSP1  
PART LIST

WATER TANK ASSEMBLY  
\* REFER TO FIGURE - J

ITEM NO.	PART NAME	PART NO.	QTY
1	Water Tank Cap Assmebly	284654-000	1
2	Water Tank Assembly	284655-000	1
3	Drain Knob	284656-000	1
4	O ring	284681-000	1
5	Piston Rod	284657-000	1
6	Tube	284039-000	1
7	Check Valve Gasket	284658-000	1
8	Pump Housing	284659-000	1
9	Washer	284660-000	4
10	Screw	284661-000	4
11	Guide Pin	284080-000	1
12	Piston Return Spring	284030-000	1
13	Right Lower Tube	284662-000	1
14	Tee Fitting	284066-000	1
15	Left Lower Tube	284663-000	1
16	Upper Tube	284664-000	1
17	Seal sponge	284665-000	2
18	Seal sponge	284666-000	1
19	Screw	284667-000	3
20	M4 Retaining washer	284196-000	3
21	Washer	284197-000	3

