

Model PLI-100

Pico-Injector

User's Manual

PLI-100 Basic Pico-Injector MA1 65-0001
PLI-100 Plus Pico-Injector MA1 65-0002
PLI-100 Deluxe Pico-Injector MA1 65-0003



HARVARD

A P P A R A T U S

WEEE/RoHS Compliance Statement

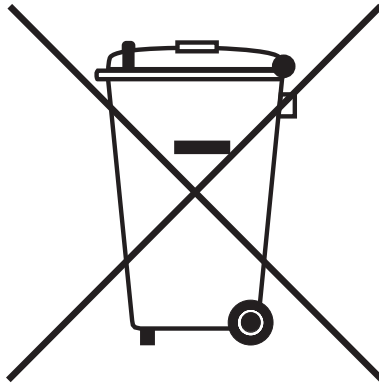
EU Directives WEEE and RoHS

To Our Valued Customers:

We are committed to being a good corporate citizen. As part of that commitment, we strive to maintain an environmentally conscious manufacturing operation. The European Union (EU) has enacted two Directives, the first on product recycling (Waste Electrical and Electronic Equipment, WEEE) and the second limiting the use of certain substances (Restriction on the use of Hazardous Substances, RoHS). Over time, these Directives will be implemented in the national laws of each EU Member State.

Once the final national regulations have been put into place, recycling will be offered for our products which are within the scope of the WEEE Directive. Products falling under the scope of the WEEE Directive available for sale after August 13, 2005 will be identified with a "wheelie bin" symbol.

Two Categories of products covered by the WEEE Directive are currently exempt from the RoHS Directive - Category 8, medical devices (with the exception of implanted or infected products) and Category 9, monitoring and control instruments. Most of our products fall into either Category 8 or 9 and are currently exempt from the RoHS Directive. We will continue to monitor the application of the RoHS Directive to its products and will comply with any changes as they apply.



- **Do Not Dispose Product with Municipal Waste**
 - **Special Collection/Disposal Required**

Table of Contents

1

Harvard Apparatus Model PLI-100 Pico-Injector User's Manual

SUBJECT	PAGE NO.
Warranty and Repair Information	2
General Safety Summary	3
Specifications	4
Introduction	5
Preliminaries	6 - 7
Front Panel Controls and Connections.....	8 - 9
Rear Panel Connectors and Attachments	10
Using the Pico-Injector.....	11-13
Micro-Injection Substances/Cell Types	14
Setting, Pressure and Time Pulse	14
Gas Usage Warning	14
Hose Connections	14
Volume Calibration Chart.....	15
Power Entry Module	16
Footnotes and References.....	17

Warranty and Repair Information

Serial Numbers

All inquires concerning our product should refer to the serial number of the unit. Serial numbers are located on the rear of the chassis.

Calibrations

All electrical apparatus is calibrated at rated voltage and frequency.

Warranty

Harvard Apparatus warranties this instrument for a period of one year from date of purchase. At its option, Harvard Apparatus will repair or replace the unit if it is found to be defective as to workmanship or material.

This warranty does not extend to damage resulting from misuse, neglect or abuse, normal wear and tear, or accident.

This warranty extends only to the original customer purchaser.

IN NO EVENT SHALL HARVARD APPARATUS BE LIABLE FOR INCIDENTAL OR CONSEQUENTIAL DAMAGES. Some states do not allow exclusion or limitation of incidental or consequential damages so the above limitation or exclusion may not apply to you. **THERE ARE NO IMPLIED WARRANTIES OF MERCHANTABILITY, OR FITNESS FOR A PARTICULAR USE, OR OF ANY OTHER NATURE.** Some states do not allow this limitation on an implied warranty, so the above limitation may not apply to you.

If a defect arises within the one-year warranty period, promptly contact ***Harvard Apparatus, Inc. 84 October Hill Road, Building 7, Holliston, Massachusetts 01746-1371*** using our toll free number 1-800-272-2775. Goods will not be accepted for return unless an RMA (returned materials authorization) number has been issued by our customer service department. The customer is responsible for shipping charges. Please allow a reasonable period of time for completion of repairs, replacement and return. If the unit is replaced, the replacement unit is covered only for the remainder of the original warranty period dating from the purchase of the original device.

This warranty gives you specific rights, and you may also have other rights which vary from state to state.

Repair Facilities and Parts

Harvard Apparatus stocks replacement and repair parts. When ordering, please describe parts as completely as possible, preferably using our part numbers. If practical, enclose a sample or drawing. We offer a complete reconditioning service.

CAUTION

This apparatus is not registered with the FDA and is not for clinical use on human patients.



CAUTION: Not for clinical use on human patients.

General Safety Summary

Please read the following safety precautions to ensure proper use of your pico injector. To avoid potential hazards and product damage, use this product only as instructed in this manual. If the equipment is used in a manner not specified by the manufacturer, the protection provided by the equipment may be impaired.

To Prevent Hazard or Injury:

USE PROPER POWER SUPPLY

The product is supplied with an approved power supply and line cord.

USE PROPER LINE CORD

Use only the line cord shipped with the product and make sure line cord is certified for country of use.

GROUND PRODUCT

This product is grounded through the grounding conductor of the power cord. To avoid electric shock, use only approved line cord with the product and insure it is connected to earth ground.

MAKE PROPER CONNECTIONS

Make sure all connections are made properly and securely.

ORIENT EQUIPMENT PROPERLY

Do not position the equipment such that it is difficult to reach the disconnecting device.

OBSERVE ALL TERMINAL RATINGS

Review the operating manual to learn the ratings on all connections.

AVOID EXPOSED CIRCUITRY

Do not touch any electric circuitry inside the product.

DO NOT OPERATE WITH SUSPECTED FAILURES

If damage is suspected on or to the product do not operate the product. Contact qualified service personnel to perform inspection.

OBSERVE ALL WARNING LABELS ON PRODUCT

Read all labels on product to ensure proper usage.



CAUTION
Refer to Manual



*Protective Ground
Terminal*

CAUTION

This product is not registered with the FDA and is not for clinical use on human or veterinary patients. It is intended for research use only.



Specifications

PLI-100 Pico-Injector Specifications

Input Gas Pressure	70-105 psi (480 - 720 kPa)
Injection Pressure	0.2 - 60.0 psi (413 kPa) - regulated, multi-turn control
Balance Pressure	0.1 -9.9 psi (68.9 kPa) - regulated, multi-turn control
Fill Pressure	-12 psi (-82 kPa) (Vacuum)
Hold Pressure	-0 to 1.25 kPa (-12.7 cm. of water) (Vacuum)
Clearing Pressure	Inlet pressure (unregulated)
Injection Time	0.01-.99 sec.; 1-99 sec.
Pressure Display	Three and a half digits
Injection Count Display	0-9999
Duration Mode	Internally timed or externally gated
Trigger Mode	Front Panel, Foot Switch, external TTL pulse (Trig in/Gate in)
Pressure Monitor Out	BNC Connector, 10 mV/psi
Vacuum Modes	Fill, Hold
AC Power Lines	115 VAC .5 Amp fuse / 220 VAC .25 Amp fuse
Accessories Supplied	Input hose, output hose, holding hose and power cord
Weight	15 pounds (6.8 kg)
Dimensions	15 in. x 10 in. x 5 in. (38 cm x 25.5 cm x 11 cm)
Optional Accessories	Foot Switch(es) up to four functions, Pipette Holder - up to 2, Input Hose Adaptor

Introduction

The PLI-100 PICO-INJECTOR allows small liquid volumes to be delivered precisely through micropipettes by applying a regulated pressure for a digitally set period of time^{1,2}. The pressure is applied pneumatically (compressed gas) to deliver volumes from microliters to femtoliters from the same instrument.

This digital injection pressure is enhanced by three auxiliary pressures:

- FILL:** Suction can be applied to the delivery pipette to fill it from the tip.
- HOLD:** A second internal vacuum pump is available to hold a suspended cell (for injection) with a second holding pipette.
- BALANCE:** A (lower) balance pressure applied to the delivery pipette between injections prevents clogging caused by pipette movement as well as dilution of the injected material by capillary action.
- CLEAR:** Momentary application of high pressure can be used to clear clogged pipettes.

Triggering of injection is accomplished three ways: panel push button, optional foot switch, or an externally applied electrical signal (TTL pulse).

The duration of injection can be determined by an internal clock set with a digital switch or can be gated by the duration either of an externally applied electrical pulse or of the depression of an optional foot switch.

This manual assumes the reader has no previous experience with microinjection, either extracellular or intracellular. Those planning on larger volume delivery (100 pL and up) can ignore the BALANCE feature. Some reference will be made to a less precise technique for smaller volume delivery to highlight the precision determining features of this instrument. This technique^{3,4} involves pressurizing the gas in a macro-syringe attached to a delivery micropipette by advancing the piston of the syringe with a micrometer screw. Ejection takes place continuously from the pipette: the volume delivered depends both on the unregulated over pressure in the syringe and the poorly known time the pipette is left inside the cell. This continuous ejection technique supposedly reduces the frequency of pipette clogging.

Reliable microinjection also requires skill in making and using micropipettes. Authorities on microinjection^{5,6} state that the most important single factor in microinjection is the micropipette. The PICO-INJECTOR with its reproducibility simplifies the search for the optimum micropipette.

Microinjection

Microinjection also involves other skills, several other instruments and accessories, and various supplies. The purpose of this section is to give an overview of these techniques for those new to microinjection: some guidance on equipment selection is also supplied.

Required Auxiliary Equipment for Microinjection

The required equipment includes a pipette puller and micromanipulator(s). Ideally, the puller should be capable of making pipettes with tip diameters in the 0.2 to 1.5⁷ micron range with a short enough taper length for both mechanical strength and low flow resistance. If most injections are to be extracellular, then a puller suitable for extracellular patch clamp pipettes is satisfactory. For intracellular injections, some magnetic pullers may be suitable. Alternatively, a two stage gravity puller with variable weights can be satisfactory over the entire range. The required three dimensional movement can be produced by an inexpensive mechanically linked micromanipulator for large cells such as frog oocytes. More commonly, a hydraulic one for fine, vibration-free movement is mounted on a coarse mechanical manipulator. Suitable equipment is available from Harvard Apparatus, Inc.

Required Supplies

These are compressed gas and microcapillaries. Compressed air is suitable for oxygen insensitive injection material. Nitrogen is a satisfactory inert gas for the general case. A pressure of 105 psi is sufficient: a regulator will be needed if supplied from a bottle of compressed gas.

Optional Equipment for Microinjection

This includes a microforge (to bend a micropipette or to polish a pipette tip for holding a cell), a microgrinder (to bevel the pipette tip to increase the delivery rate without additional cell damage), and an micro-incubator (to hold the cells at incubation temperatures during microinjection). Suitable equipment is available from Harvard Apparatus, Inc.

Accessories

These are also available to enhance your PICO-INJECTOR (see Price List).

Micropipettes

The micropipettes are made with a pipette puller from a microcapillary (1-2 mm. in diameter) by heating some 3-10 mm. of its length with a concentric heater while applying a force (gravitational or magnetic) to pull both ends of the capillary apart. Two micropipettes are produced per capillary.

1. Distinguishing Parameters

Two useful distinguishing parameters of the micropipette are the inside diameter of its tip and the angle of taper to the tip. The smaller this angle, the longer the tapered region⁸. The larger the tip, the more material is delivered for the same applied pressure and time. Just a 10% decrease in diameter decreases the delivery rate by over 30%. A 10% decrease in taper angle (longer taper) would decrease the delivery rate about 10%. The extreme sensitivity of delivery rate on tip diameter makes it important to have a reproducible pipette puller. If you use published tip sizes as a starting point, distinguish between the relevant inside diameter and the more visible outside diameter. (The ratio of the two is the same at the tip as for the original capillary glass.)

Preliminaries (Contd)

7

Micropipettes (continued)

2. Choosing the Right Pipette

Choosing a pipette size and shape for intracellular injection is difficult. Larger tips deliver more material but increase the risk of cell damage caused by leakage around the pipette while in the cell or later by incomplete sealing. The smaller the cell, the smaller the pipette tip it will tolerate. The smaller the tip, the more likely it is to clog. For reference, intracellular electrophysiologists routinely record for an hour or so from cells of 10 micron diameter with pipette tips of 0.1 micron inside diameter. Larger tips can therefore be used for brief injection in such cells. For nuclear injections, a smaller taper angle is needed to avoid leakage further up the shank of the pipette at the plasma membrane.

Although even intracellular injection can be done from below with an upright microscope⁶, most injections are done from the side or from above the cells. Four different strategies have been used to suitably fix the cell in position for successful intracellular injection.

For suspended cells, a second, larger pipette is used to hold the cell. This pipette's tip is first polished with a microforge (done by placing the pipette within 5 microns of a hot filament for a few seconds). With its axis horizontal, it is moved to hold the cell with applied suction. The injection pipette is also straight and is inserted horizontally from the opposite side. This geometry avoids damage to the cell membrane caused by shearing forces. The optics are straightforward because the pipettes remain in focus as they are advanced.

For cells that can be or are attached to a surface in a closely packed layer, straight injection pipettes can also be used. In this case, the pipette axis slopes slightly down from the horizontal. The tendency of the cells to slide when the pipette enters is resisted by the extracellular environment or attachment to the culture surface. The microscope should be focused on the cell's surface. The pipette tip then comes into focus just before injection. If the cell is nearly spherical (the hardest case), the pipette should again enter the cell membrane at right angles to avoid shearing. Non spherical cells (for example, cultured fibroblasts) have a more robust cytoskeletal structure so the pipette can be pushed in even if not perpendicular to the membrane surface.

For less firmly attached cells, the injection pipette can be bent near the tip after pulling. The pipette's main axis slopes slightly down from the horizontal. The angle of bend should allow the tip to point straight down. With an inverted microscope, the tip is viewed through the cell as it is lowered for injection. The microscope is focused on the cell's top surface and the tip comes into focus just before insertion. Again shearing forces are avoided. (Suitable bends can be made with a microforge: a simple way to do this is to move the pipette near a hot filament at the position of desired bend. The tip will spontaneously bend away).

In all of the above techniques, a three dimensional micromanipulator controls the movement of the injection pipette. If this (straight) pipette is instead attached to a condenser mount (inverted scope), then a one dimensional manipulator can be used. The remaining two directions of manipulation are done with stage micrometers moving the vertical injection pipette over each cell in turn. If the vibrations transmitted with the condenser mounting are manageable, then this approach gives the fastest rate of cell injection.

Front Panel Connectors and Controls

8

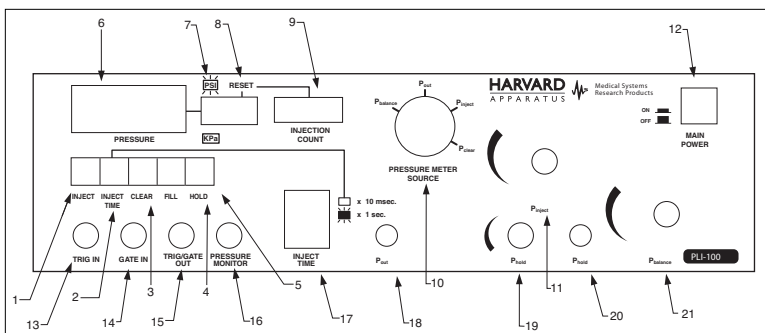


Figure 1: Front Panel

Refer to Figure 1 for the location of controls and connectors. Numbers refer to the order of listing below.

1. INJECT pushbutton

Push this to manually trigger the injection pressure for a time set by the internal timer. The switch remains lit for the duration of the injection.

2. INJECT TIME pushbutton

This determines the time multiplier for the internal injection timer; 10 msec. and 1.0 sec. multipliers are available.

3. CLEAR pushbutton

Push this briefly to deliver a half second pressure surge to clear a clogged pipette. The pressure applied is the supply pressure. If the button is left pushed in for longer than a half second, the clearing surge is extended. The button remains lit for the duration of the clear.

4. FILL pushbutton

Push the button to apply suction to the delivery pipette to fill it from the tip. The suction is applied as long as this button is held and LED is lit.

5. HOLD pushbutton

Push this button to apply sufficiently small suction to holding pipette (LED is lit) to hold a cell for injection. Push this a second time to drop this suction to zero.

6. PRESSURE display

This three digit display gives the "gauge" pressure selected by the PRESSURE METER SOURCE switch. A negative (-) sign indicates suction.

7. PRESSURE UNITS pushbutton

Leave this button out to read the "gauge" pressure in the display in pounds per square inch (psi). Push it in for the pressure in kilopascals (kP) 1 psi = 6.89 kP. (Gauge pressure is the absolute pressure - atmospheric pressure. Atmospheric pressure is about 15 psi = 103 kP.) A red light indicates which units are in use.

8. RESET pushbutton

This button resets the injection count display to zero.

9. INJECTION COUNT display

This four digit display (0-9999) gives the total number of injections triggered manually by the panel pushbutton or footswitch or electrically since the last reset.

Front Panel Connectors and Controls

10. PRESSURE METER SOURCE switch

This switch selects various places inside the PICO-INJECTOR for reading the pressure. It does not change the pressure applied to the output. P_{INJ} is the pressure applied to pressure applied at the output during injection. P_{BAL} is the pressure applied to the pipette when injection is not taking place. P_{CLR} is the pressure externally supplied to the input on the rear panel and used the CLEAR mode. P_{FILL} is the negative pressure applied to fill the injection pipette from the tip. P_{OUT} is the pressure currently applied to the output port.

11. P_{INJ} regulator

This seven turn control is used to set the injection pressure over the range from about 0.4 to 60.0 psi (about 2.8 - 413 kP). Clockwise rotation increases the pressure. Locking nut should be loose to avoid damaging the shaft's threads if changing pressure constantly.

12. POWER pushbutton

Push this button once to apply AC power to the unit. The button will light. Push it again to turn the instrument off.

13. TRIG IN connector

This BNC connector is for electrically initiating injection. A positive TTL level pulse is required (baseline 0.0 V, trigger 5 V, lasting at least 50 microseconds).

14. GATE IN connector

This BNC connector is for external timing of the duration of injection. A positive TTL level pulse (see 13.) is required with the duration of injection determined by the duration of the applied pulse.

15. TRIG/GATE OUT connector

This TTL output (see 13.) can be used to trigger or synchronize other electrical instruments. Its duration is that of the injection.

16. PRESSURE MONITOR out

This BNC connector delivers an electrical level whose amplitude gives the actual pressure applied to the meter. The conversion factor is 10 mV /psi. Set the PRESSURE METER SOURCE switch to P_{OUT} to see changes in pressure during injection and filling.

17. INJECT TIME digiswitch

This two digit switch is used to set the duration of injection when timed internally. The units, 10 msec. or 1 sec., are set by the INJECT TIME switch.

18. P_{OUT} connector

This connector is attached to the injection pipette using the supplied output hose (PLI-OH). Without the hose attached the port is closed. In use, the injection, balance, fill, and clear pressures are delivered here.

19. P_{HOLD} regulator

This regulator sets the (low) suction pressure applied to the P_{HOLD} connector. counterclockwise increases the pressure. Like the other pressure controls the current rotational position is uniquely related to the pressure. The range is 0-0.5 kP. (5 cm. height of water).

20. P_{HOLD} connector

The supplied holding hose is attached to this connector. The suction set by the P_{HOLD} regulator is applied here to hold a suspended cell for injection.

21. P_{BAL} regulator

This regulator sets the balance pressure over the range from 0.1 to 10 psi. (about .7-70 kP). Clockwise rotation increases the pressure.

Rear Panel Connectors and Attachments

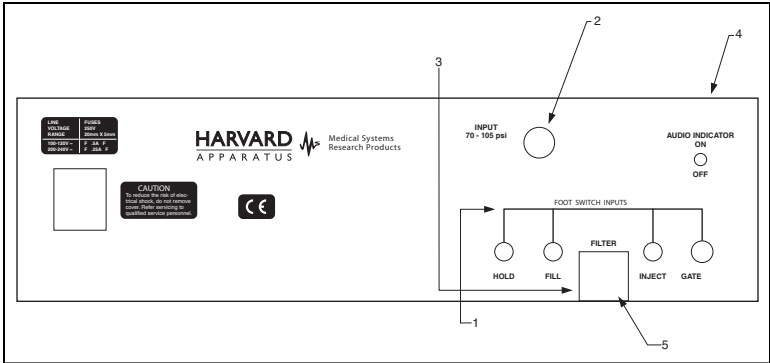


Figure 2: Rear Panel

1. Foot Switch Inputs (Connectors)

An optional footswitch (PLI-FS) can be connected to any one of these connectors. When connected to HOLD, pushing the footswitch once turns on the suction for holding a cell. Pushing it a second time turns that suction off. When connected to INJ, pushing the footswitch starts injection. When connected to FILL, the filling suction is applied as long as the footswitch is depressed. When connected to GATING, injection pressure continues as long as the footswitch is depressed.

2. Pressure Input Connector

To have all the functions working, the instrument needs 70 to 105 psi. To have only injection, 70 psi is needed. This connector is the input for the compressed gas. See PRELIMINARIES for recommendations on the gas. A maximum of 105 psi. can be safely applied; 100 psi. is optimal. At lower pressure gas will be used at a slower rate. Avoid input pressures less than 100 psi if the FILL function is being used.

3. Input Filter

The PICO-INJECTOR is supplied with an input filter. It traps particles larger than 0.5 micron as well as the liquid often present in a building's compressed air lines. Drain by pushing the button on the underside of its transparent case. Through a hole located in the bottom case.

4. Audio Indicator Switch

When ON, an audible tone sounds for the duration of injection. Turn it OFF if this audible monitor is not desired.

5. Filter Window

Allows for easy viewing of filter to determine when it needs to be drained.

Using the Pico-Injector

General Considerations

It is much easier to reliably inject large volumes than small ones. For “large” volumes, the balance pressure capability is not needed. Pipettes seldom clog so the clear capability is also not needed.

The dividing line between large and small is not rigid; it depends on how quantitative a delivery is required. That volume line would typically be in the 10-100 pLiter range. (For convenient visualization and approximate geometric measurement, 1 fLiter is a cube 1 micron on a side or a sphere 1.24 microns in diameter, 1 pLiter is a cube 10 microns on a side or a sphere 12.4 microns in diameter, while 1 nLiter is a cube 100 microns on a side or a sphere 124 microns in diameter. Because volume goes as the cube of linear dimensions, such geometric volumes are imprecise, but often useful).

Extracellular delivery is nearly always “large”. Intracellular is often of “small” volumes (but not for frog oocytes). A more quantitative way to distinguish between “large” and “small” is given in the balance section below.

Interconnections and Initial Set-Up

Connect the gas input hose (PLI-IH) to the rear panel input connector of the PICO-INJECTOR. Connect the other end (with optional input hose adapter, if needed) to the gas supply. Turn on the POWER switch and verify the input gas pressure with the digital meter by setting the PRESSURE METER SOURCE switch to P_{CLR} . Practice with the inject and balance pressure controls by first turning the METER SELECT switch and then adjusting each in turn.

With non zero values of inject and balance pressure set the PRESSURE METER SOURCE switch to P_{OUT} . NOTE: The PRESSURE METER SELECT switch must be set to P_{OUT} to read changes in pressure on the display or MONITOR output. Set the inject time to five seconds and push the panel INJECT switch to see the temporary change in pressure from balance to inject and back. (A buzzer will sound during injection. If this is not wanted, turn off the switch on the rear panel.)

Two output hoses (PLI-OH & PLI-HH) are supplied with the PICO-INJECTOR. These are designed for any of the three optional pipette holders (PLI-PH1, PLI-PH1A, PLI-PPH) described in the PRICE LIST. Connect the PLI-OH & PLI-HH hoses to the chosen holder(s) as follows:

PLI-PH1 & PLI-PH1A:

Unscrew the end of the holder with a 2 mm. diameter hole. This end hex piece should be placed over the tube end. Thread the hex piece on the holder and tighten firmly. The 1 mm OD capillary is inserted in the opposite end of the holder through its “o” ring (silicon rubber gasket) and its fitting is then tightened.

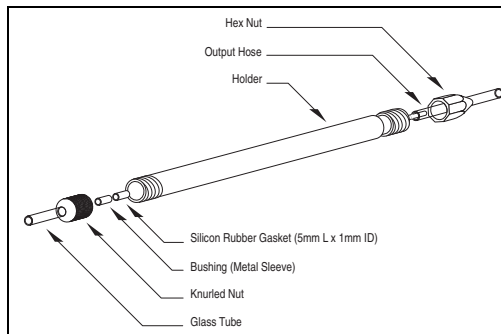


Fig. 3. PLI-PH1/PH1A 1.0 mm OD Glass Pipette Assembly

Using the Pico-Injector (Contd)

PLI-PPH: Unscrew the end of the holder with the 2 mm. diameter hole and place it over the output hose (PLI-OH). Reattach this fitting securely with the hose inserted as far as it will go. The 1.5 mm. OD capillary is similarly attached to the other end of the holder through its "o" ring.

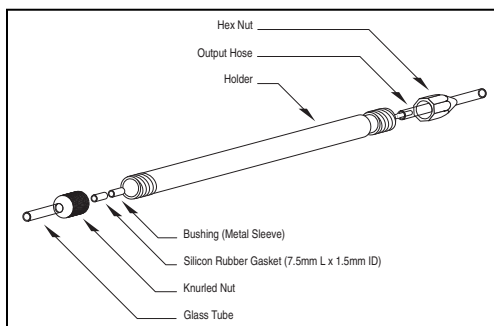


Fig. 4. PLI-PH1/PH1A 1.5 mm OD Glass Pipette Assembly

Attach output and holding hose to the appropriate front panel gas ports. Tighten them securely so that the valves within these ports are open, allowing pressure to be controlled in the hose and connecting micropipette.

Micropipette Filling

Filling can be done from the tip of the micropipette, or, with a few extra steps, from the barrel of the pipette. Filling from the tip is most suitable if a filling fiber is deliberately not being used due to irregularities in the balancing (see BALANCE below). Simply prepare a bolus of injection material on a glass slide and maneuver the tip into it using a micromanipulator. Depress the FILL button to apply about 12 psi (82 kPa) of suction continuously as long as needed. If evaporation of a small bolus is a concern, it can be prepared under oil and the micropipette tip similarly moved into it.

Filling can be done from the back end (barrel) of the pipette using a syringe with a thin hypodermic needle inserted so its tip is down in the tapered section. If the capillary has a filling fiber attached to the inner wall the pipette tip will then fill by capillary action without air bubbles, at least for larger tips. Variations on this procedure involve filling a smaller capillary first and inserting it for the back fill.

Balance

The inflow into the pipette (caused by capillary forces) prior to or in-between injections should be a small percentage of that being injected. As the volume desired gets smaller, the relative inflow gets larger even faster due to the smaller tip size being used.

To avoid this problem, set the balance pressure before placing the pipette in the cell's external medium. Ten percent of the injection pressure is a good starting value. Exact balance is difficult to determine: often the fastest way to handle this is to set the balance high enough that slight outflow is observed. Balance is assessed by watching the movement of the liquid meniscus in the pipette. The outflow left is still small compared to the continuous streaming used in the continuous ejection technique.

If a filling fiber is used, the capillary inflow is larger so a higher balance pressure is needed. In general, however, when a balance pressure is being used, such a fiber should not be used: sometimes the injection material will run out spontaneously or the pressure needed to balance will abruptly change with time. (These may be due to particles lodging on the fiber).

Using the Pico-Injector (Contd)

Balance (continued)

If desired, a rough estimate of the volume coming in can be made. Focus the microscope on the liquid meniscus in the loaded pipette while its tip is still in air (with the balance pressure set to zero). Use an eyepiece reticle to measure the meniscus movement when liquid is then raised to cover the tip. The inflow volume is approximately the difference between the volume of two cones. The estimate is more precise for smaller initial volumes in the pipette.

Clear

To clear a clogged micropipette, push the CLEAR button momentarily once the tip has been removed from a cell. Watch the tip region while this is done to see the brief movement of liquid denoting that the tip is clear. Repeat if needed. The clearing pressure pulse has a preset duration of 500 msec. to avoid excessive release if the clog clears immediately. Repeat as needed.

Hold

To hold a suspended cell for injection, attach a suitable holding pipette to the pipette holder/holding hose. Momentarily attach to the P_{OUT} port. Backfill the holding pipette (using the fill function switch) with fluid so that tube length is half to three quarters filled.* Disconnect the holding hose connector from the P_{OUT} port and attach to the P_{HOLD} port. Set the hold pressure control to minimum and move the micropipette to the cell using a micromanipulator. Turn on the HOLD panel switch and increase the hold pressure as needed. When finished with that cell turn off the hold pressure with the panel or footswitch. If more cells of the same kind are being injected then subsequent holds require only the ON/OFF control of the switch. If the cell doesn't drop off the holding pipette tip when hold is turned off, a brief, gentle squeeze of the rubber bulb located on the holding output hose should release it.

**Note: Be careful not to overfill the hose to avoid liquid going into the pneumatic system inside the unit.*

Footswitch(es)

Optional footswitches can be used for inject, fill, and turning on and off the hold function. These switches are plugged into the rear panel: each is wired in parallel with the corresponding front panel switch. See the instructions for each panel switch to see how they operate. When a footswitch is used with the GATE connector, the duration of injection is manually determined by the duration of pressing the footswitch. In some applications, users may prefer to set up the duration of injection manually: connect the MONITOR output to an oscilloscope or fast enough strip chart recorder to measure this time and then switch to the internal timer for subsequent injections.

Electrical Inputs/Outputs (13-16 in Figure 1)

These connectors allow additional control, especially when synchronizing injection to other stimulations or recording. See items 13-16 on pages 8 and 9 for details. In particular, the PRESSURE MONITOR output signal is a precise measure of relative injection volume (for a given pipette). Since the volume delivered is linear in the net injection pressure ($P_{INJ} - P_{BAL}$) and injection time, the area under a graph of this signal versus time is a measure of the relative volume.

Injection Volume Adjustment

Adjust injection volume by changing either injection pressure, injection duration, or the micropipette (inside) tip diameter or taper. The dependence on (net) injection pressure, duration and pipette taper angle is linear; the dependence on tip diameter is cubic.

General Information

Micro-Injection Substances/Cell Types

A wide range of substances have been micro-injected onto or into a large number of cell types. References 10- 17 on page 16 give some recent examples.

Setting Pressures and Time Pulses

1. Balance Pressure

Set the balance pressure while viewing the pipette under magnification. This method will help the user to stabilize the solution within the pipette easily.

2. Injection Pressure and Time Pulse

Setting the initial injection pressure low prevents the loss of solution. To easily obtain the desired pressure setting, set the time pulse on (1) one second with the injection pressure set at its minimum. Trigger the time pulse while viewing under magnification. Increase the injection pressure until the solution within the pipette begins to flow out the tip opening. The pressure shown on the LCD can now be used as the initial injection pressure setting. Adjust the injection pressure and timing to obtain the desired injection

3. Holding Pressure

Set the holding pressure at the minimum. This will prevent possible damage to the cell. Fill 3/4 of the pipette's capillary tube with a solution (medium). This serves as a buffer, when the holding function is 2Z preventing a constant vacuum at the pipette tip caused by capillary action.

Gas Usage Warning

To provide finely controllable output pressure, the gas regulators are of the "bleeding" type. Such regulators use gas even in the absence of ejections.

The PICO-INJECTOR thus uses gas even when off. To eliminate this consumption and as a good safety practice, turn off the gas supply at the source when the PICO-INJECTOR is not in use.

The suction functions (HOLD and FILL) use much more gas than INJECT and BALANCE. Plan accordingly. Notice, that the BALANCE is on continuously once an output hose is attached to the front panel: without a micropipette attached, even this gas usage can be significant.

Hose Connections

The input, output, and holding hoses should be attached to their respective connectors. If each connector's needle valve, located in the micro-injector body, is not fully opened, the airflow will be restricted or blocked. To prevent this from happening, check each connector for tightness by turning clockwise. This will ensure needle valve depression.

Volume Calibration Chart

Formula:

Volume in Nanoliters = .17952(*) x (tip I.D. in micron)³ x (Pressure in psi) x (Time in sec)

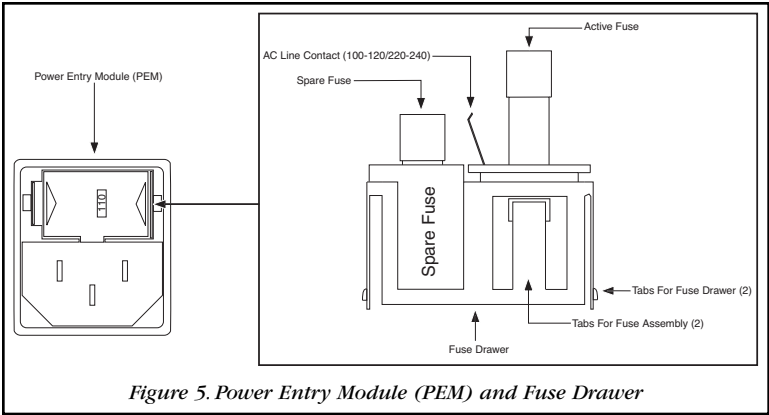
Example:

Volume = .17952 x (5)³ X (10) X (1) Nanoliters = 224.40 Nanoliters

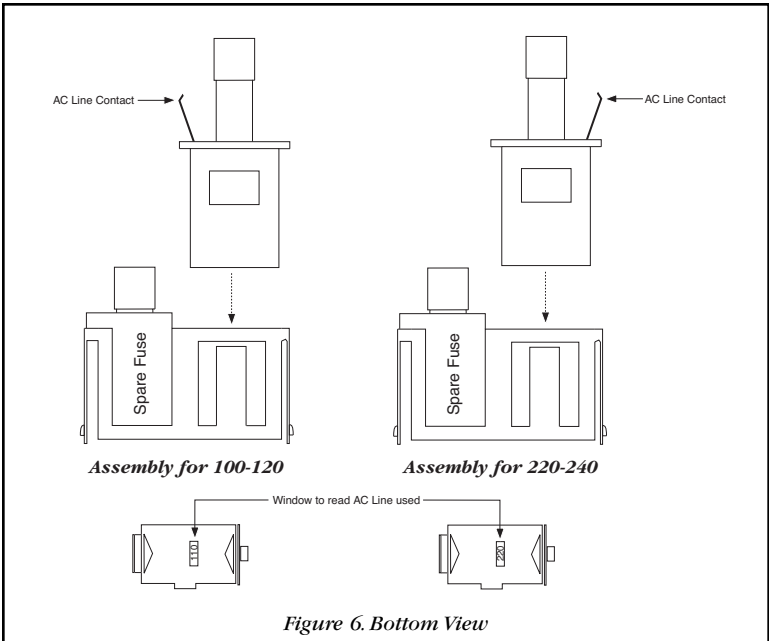
Pressure (p.s.i.)	Time (sec.)	Pipette Tip I.D. (µm)	Femtoliters	Picoliter	Nanoliter	Microliter	Milliliter
1	1	0.1	179.52	0.18	-	-	-
10	1	0.1	1795.20	1.80	-	-	-
20	1	0.1	3590.40	3.59	-	-	-
30	1	0.1	5385.60	5.39	-	-	-
40	1	0.1	7180.80	7.18	-	-	-
50	1	0.1	8976.00	8.98	-	-	-
60	1	0.1	10771.20	10.77	-	-	-
1	1	1	-	179.52	0.18	-	-
10	1	1	-	1795.20	1.80	-	-
20	1	1	-	3590.40	3.59	-	-
30	1	1	-	5385.60	5.39	-	-
40	1	1	-	7180.80	7.18	-	-
50	1	1	-	8976.00	8.98	-	-
60	1	1	-	10771.20	10.77	-	-
1	1	5	-	-	22.44	0.02	-
10	1	5	-	-	224.40	0.22	-
20	1	5	-	-	448.80	0.45	-
30	1	5	-	-	673.20	0.67	-
40	1	5	-	-	897.60	0.90	-
50	1	5	-	-	1122.00	1.12	-
60	1	5	-	-	1346.40	1.35	-
1	1	10	-	-	179.52	0.18	-
10	1	10	-	-	1795.20	1.80	-
20	1	10	-	-	3590.20	3.59	-
30	1	10	-	-	5385.60	5.39	-
40	1	10	-	-	7180.80	7.18	-
50	1	10	-	-	8976.00	8.98	-
60	1	10	-	-	10771.20	10.77	-
1	1	75	-	-	-	75.74	0.08
10	1	75	-	-	-	757.35	0.76
20	1	75	-	-	-	1514.70	1.51
30	1	75	-	-	-	2272.05	2.27
40	1	75	-	-	-	3029.40	3.03
50	1	75	-	-	-	3786.75	3.79
60	1	75	-	-	-	4544.10	4.54

(*) Constant includes unit conversion factors, and effects of water like viscosity and needle taper for a cone half angle of 10 (medium taper).

Power Entry Module (PEM)



1. With a small flat screwdriver squeeze tabs of fuse drawer and pull out.
2. With a small flat screwdriver open tabs of fuse assembly very gentle to avoid breaking the tabs.
3. Rotate fuse assembly to AC. Line in use.
4. Replace fuse according to fuse rating:
100 - 120 - .5 Amp Fuse
220 - 240 - .5 Amp Fuse
5. Assemble fuse drawer into Power Entry Module (PEM) until you hear a click.



Footnotes and References

1. McCaman, R.E. et al. "A pressure system for intracellular and extracellular ejections of microliter volumes" *Brain Research* 142, 141 (1977).
2. Palmer, M.R. et al., "Physical and physiological characteristics of micropressure ejection ... from ... pipettes". *Neuropharmacology* 19, 931-938 (1980).
3. Hiramoto, Y. *Exp. Cell Res.* 27, 416-426 (1962). Pneumatic, micrometer syringe, mercury. See Kiehart, D.P. *Methods Cell Biol.* 25, 13ff (1982) for a careful explanation.
4. Graessmann, A. *Exp. Cell Res.* 60, 373-382 (1970).
5. Mario Capecchi (private communication).
6. Dennis Stacey (private communication).
7. 10 micron pipettes would be suitable for frog oocytes, but there is little need for the sizes between 1.5 and 10 microns.
8. Pipettes will have more than one taper angle if the pulling force and/ or heat change during pulling. (Two stage pullers give two angles. for example.) Delivery rate depends on the angle nearest the tip.
9. Stephens, D.L. et al, " Easy to use equipment for the accurate microinjection of nanoliter volumes into ... oocytes" *Anal. Biochem.* 114, 299-309 (1981).
10. Brinster, R. L., et al, *Proc. Natl. Acad. Sci.* 82, 4438-4442 (1985), DNA into mouse oocytes.
11. Webster, D. R., et al *J. Cell Biol.* 105, 265-276 (1987), tubulin into human fibroblasts and hamster ovary cells.
12. Palmer, M. R. et al, in *Electrophysiological Techniques in Pharmacology*, pages 169-187 (1986), Alan R. Liss, Inc. Various materials onto mammalian neurons.
13. mRNA into *Xenopus* oocytes- see footnote 9.
14. Stacey, D.W. et al, *Exp. Cell Res.* 171, 232-242 (1987), ras protein into tumor cells.
15. Pasti, G., et al, *Nature* 324, 375-377 (1986), protein kinase C into Swiss 3T3 cells.
16. Silver, R.B. *Proc. Nat. Acad. Sci.* 83:4302-4306 (1986) antibodies into sand dollar embryo
17. de Laat, A.M. and Blaas, J.P.I. *Sci.* 50:161-169 (1987) cytoplasmic organelles into plant protoplasts