

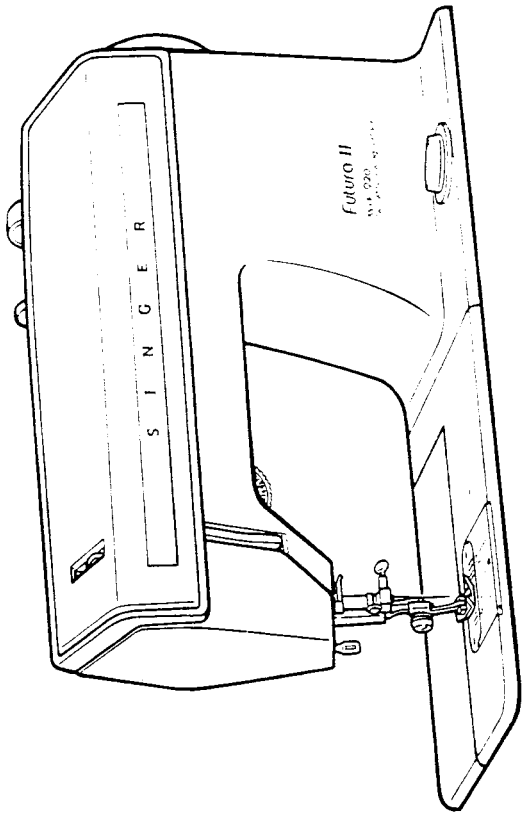
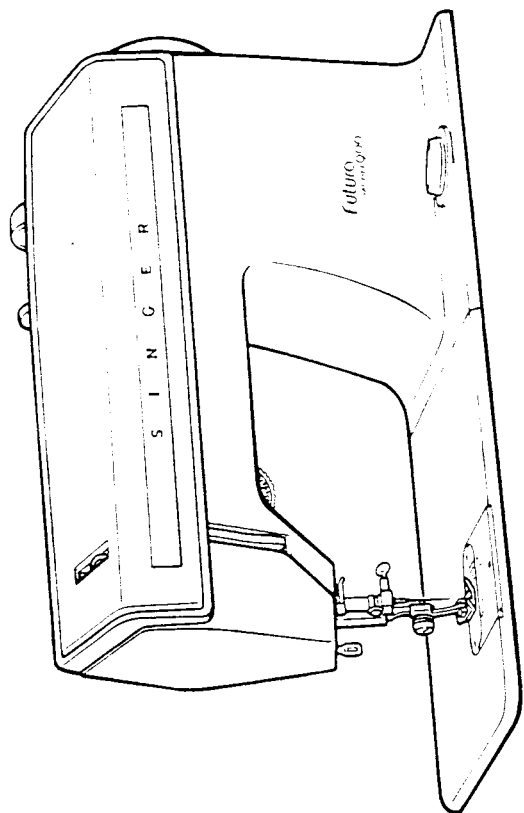
SINGER
900-3/920-3

List of Parts - 900-3/920-3 Machine

COVERS.....Page 2-3
 HOOK AREA.....Page 4-5
 HEAD END.....Page 6-7
 TENSION MECHANISM.....Page 8-9
 HEIGHT ADJUSTMENT.....Page 10-11
 CAN STACK AND FOLLOWERS.....Page 12-13
 CAN SELECTOR MECHANISM.....Page 14-15
 FEED CONTROL MECHANISM.....Page 16-17
 ALPHA FEED.....Page 18-19
 WA6-B MOTOR AND CONTROLLER.....Page 20-21

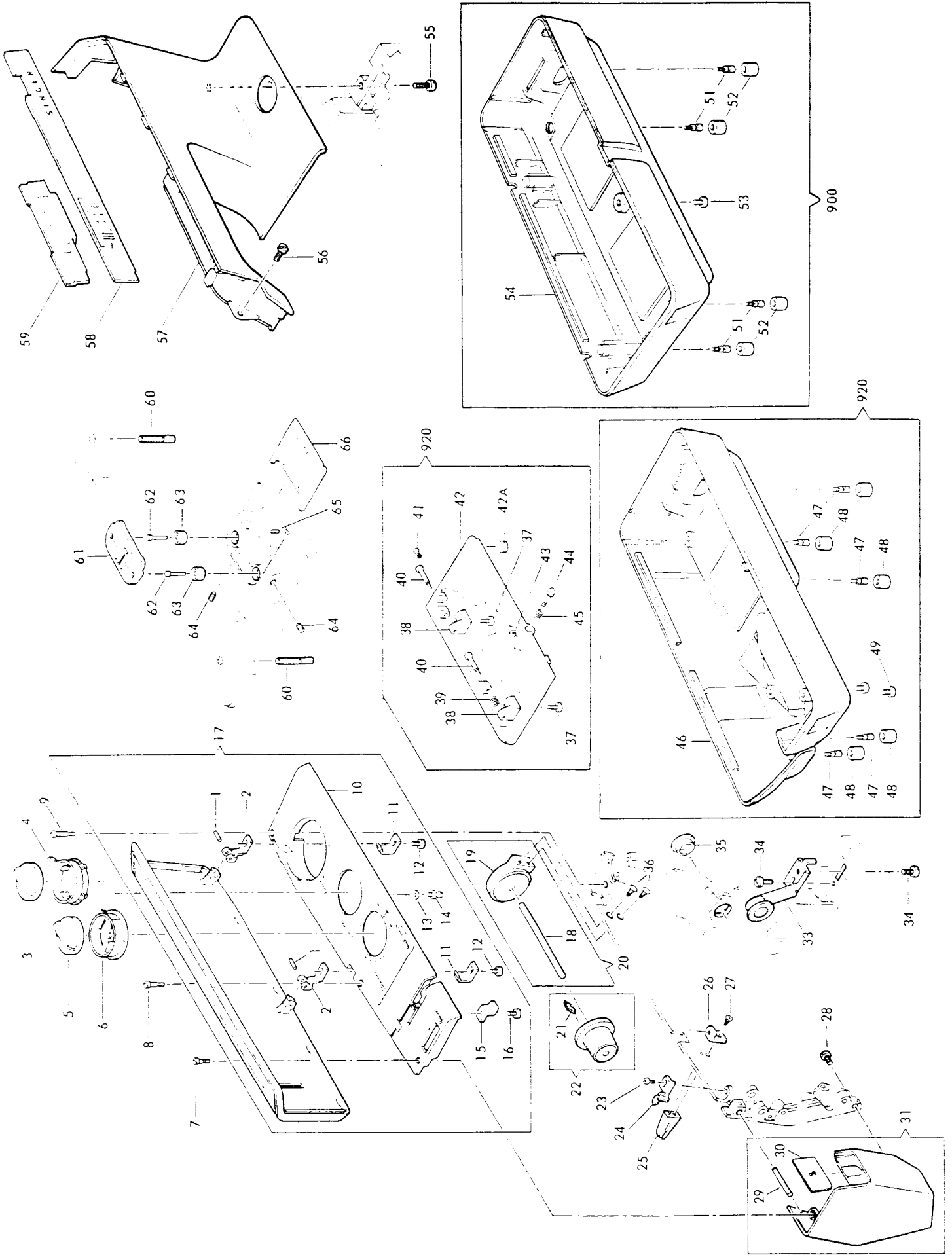
ATTACHMENT SET 71435

2020	Needle Size No. 11
2026	Needle (Twin) Size No. 14
2045	Needle Size No. 14 for Sewing Synthetic Knits
2045-103473	Needle Package (Plastic)
161172	Seam and Buttonhole Hem Guide Compl.
161919	Presser Foot Plate (Snap-on for Straight Sewing)
171110	Blindstitch Hem Guide
171434-451	Attachment Box Complete (Deluxe)
171436-451	Chain Stitch Attachment Loop Retainer Insert Compl.)
361214	Feed Cover Plate for Darning and Embroidery
171460	Presser Foot Plate (Snap-On) for Slant Overedge
171463	Special Purpose Presser Foot Plate (Snap-On)
171466-451	Even Feed Foot (Compl.) (6MT Right)
171470	Throat Plate for Straight Sewing
171480	Presser Foot Plate (Snap-On) Compl. for Cording and Slide Pastors
171485	Chainstitch Attachment Throat Plate
181551	Bobbins (3)
361001-451	Disc (Reversible, Quadruple) for Scottie Dog and Surf Sketch (In No.) 71 and 72
361002-451	Disc (Reversible, Quadruple) for Paris Point and Ric Rac Sketch (73 and 74)
361003-451	Disc (Reversible, Quadruple) for Slant Overedge and Tulip (74 and 76)
361006-451	Disc (Double Reversible) for Arrowhead and Road Sketch (77 and 78)
361009-451	Disc (Reversible) for Scallop and Zig Zag Point (79 and 80)
361066	Presser Foot for Button Sewing (6MT)
361106	Presser Foot Plate (6MT) (Snap-On Plastic) for Sewing Buttonholes
361114-451	Spot Pin for Twin Needle Sewing (Plastic)
361119-451	Disc (Reversible, Quadruple) for Super Stretch and Loose Stitch (69 and 70)
501750	Lint Brush
503407	Seam Ripper
507464-451	One-Step Buttonhole Foot
511267	Buttonhole Marking and Measuring Gauge



373093452

900-3/920-3 | ne (COVERS)

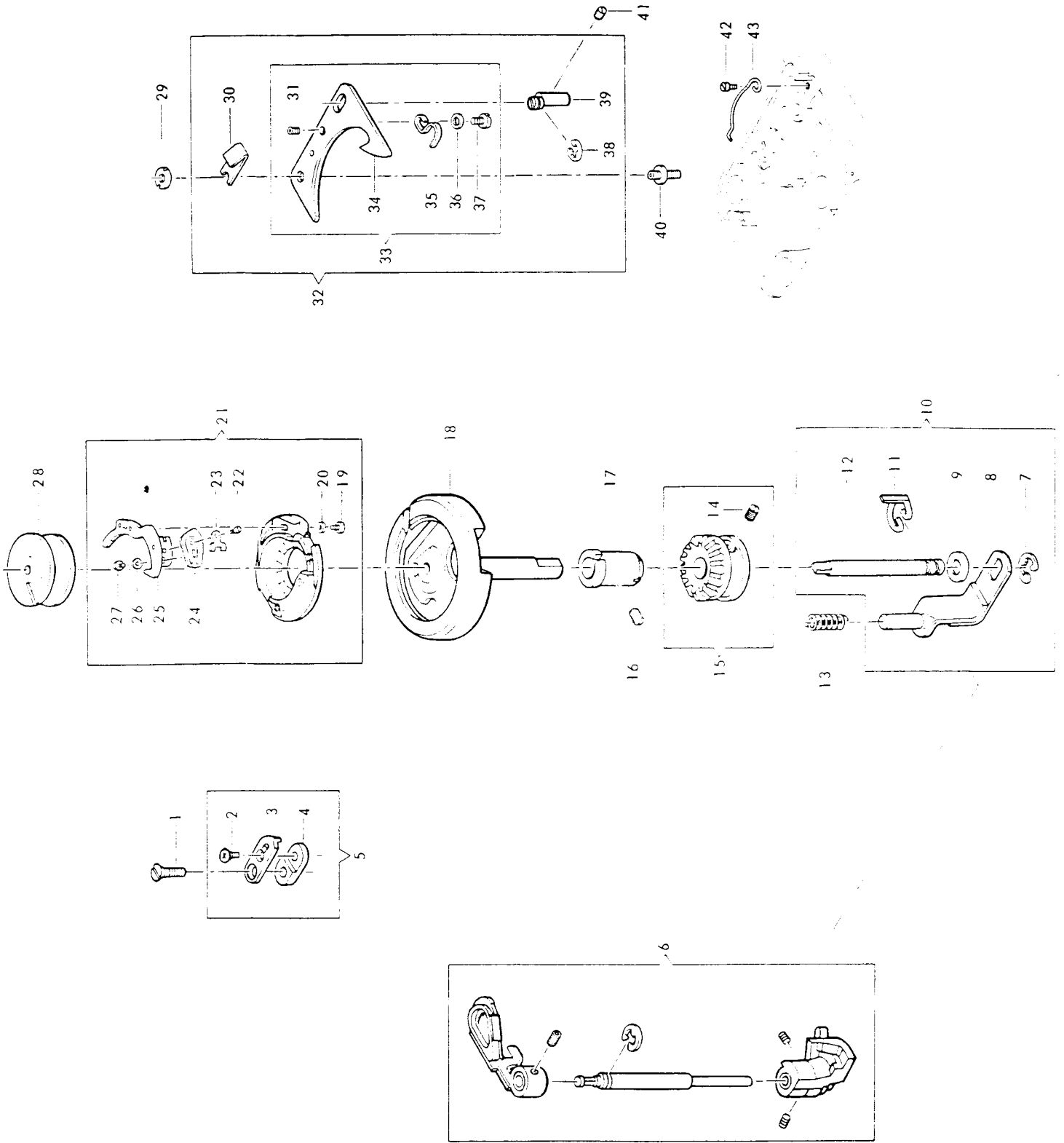


List of Parts - 90 3/920-3 Machine

REF. NO.	PART NO.	DESCRIPTION	REF. NO.	PART NO.	DESCRIPTION	REF. NO.	PART NO.	DESCRIPTION
1	182089	Arm Top Cover and Control Panel Hinge Pin (?)	21	153140	Arm Spool Pin Thread Lead-off Spring Clip	43	182195	Latch Retaining Ring
2	182241	Arm Top Cover and Control Panel Hinge (?)	22	153149-003	Arm Spool Pin Thread Lead-off Compl.	44	381874-451	Lid Latch
3	381607-451	Disc Pattern Selector Dial	23	354030	Thread Guide (inside, back of Arm) Screw	45	381877	Lid Latch Spring
4	182160-451	Disc Pattern Selector Kick-out dial	24	181642	Thread Guide (inside, back of Arm)	46	381860-451	Bed (Convertible) Cover (Bottom)
5	381605-451	High Amplitude Control Dial	25	182338-451	Thread Guide (outside, back of Arm) (plastic)	47	384722-451	(5) Cushion Screw
6	182113-451	Needle Position Control Dial	26	381865	Arm Top Cover and Control Panel Support Bracket (rear)	48	381889	(4) Cushion
7	354264-451	Arm Top Cover and Pace Plate Screw	27	354100-451	Thread Guide (outside, back of Arm) Screw	49	384722-451	(2) Fastening Screw
8	354138-455	Arm Top Cover Screw (center)	28	354138-456	Pace Plate Fastening Screw	51	381899	Bed Cover (bottom) Cushion
9	354156-454	Arm Top Cover Screw (right)	29	181738	Pace Plate Positioning Pin	52	381899	Bed Cover (bottom) Cushion (rubber) (4)
10	181628-901	Arm Top Cover and Control Panel	30	181005-451	Pace Plate Dedication Plate	53	139861-806	Bed Cover (bottom) Fastening Screw
11	181640	Arm Top Cover Lid Spring (?)	31	181761-451	Belt Idler Pulley	54	381857-451	Bed Cover (bottom)
12	354198-451	Arm Top Cover and Control Panel Hinge Screw (?)	32	181633	Belt Idler Pulley Bracket (adjustable) Screw (?)	55	354070-451	Arm Front Cover Screw (right)
13	381906	Arm Top Cover and Control Panel Split Pin Lock Washer	33	141860-814	Arm Spool Pin Holder Screw (?)	56	141864-809	Arm Front Cover Screw (left)
14	381864	Panel Split Pin	34	381875-451	Lid Hinge Block Screw	57	384225-001	Arm Front Cover 900 (Pattern)
15	381839	Arm Top Cover and Control Panel Support Bracket	35	381893-451	Lid Hinge Block Spring	58	384225-005	Arm Front Cover 920 (Pattern 11)
16	354198-451	Arm Top Cover and Control Panel Support Bracket Screw	36	354100-451	Lid Hinge Block	59	3842451-001	Stitch Pattern Index Panel
17	181627-451	Arm Top Cover Module	37	354214-451	Lid Hinge Block	60	181745	Stitch Pattern Index Panel Backing Plate
18	181610-451	Arm Spool Pin	38	381875-451	Lid Hinge Block Spring	61	544483	Machine Hinge Connection Set Screw (?)
19	181611	Arm Spool Pin Holder	39	381875	Lid Positioning Screw	62	3825677	Throat Plate for Zig-Zag Sewing Screw (?)
20	382485-451	Arm Spool Pin Complete	40	141860-814	Lid Positioning Button	63	174256	Throat Plate for Zig-Zag Sewing Throat Plate Catch Pin (?)
			41	381878	Lid	64	141875-830	Throat Plate Catch Pin Screw (?)
			42	381873-451	Tabber Cushion	65	163003	Bed Slide Stop Pin (roll pin)
			43A	610491-001		66	181588	Bed Slide with Molded Plastic Window

Feeler Gauge - 1/32" 115
 Bed Cover - 383815115

900-3/920-3 Machine (HOOK AREA)



List of Parts - 920-3/920-3 Machine

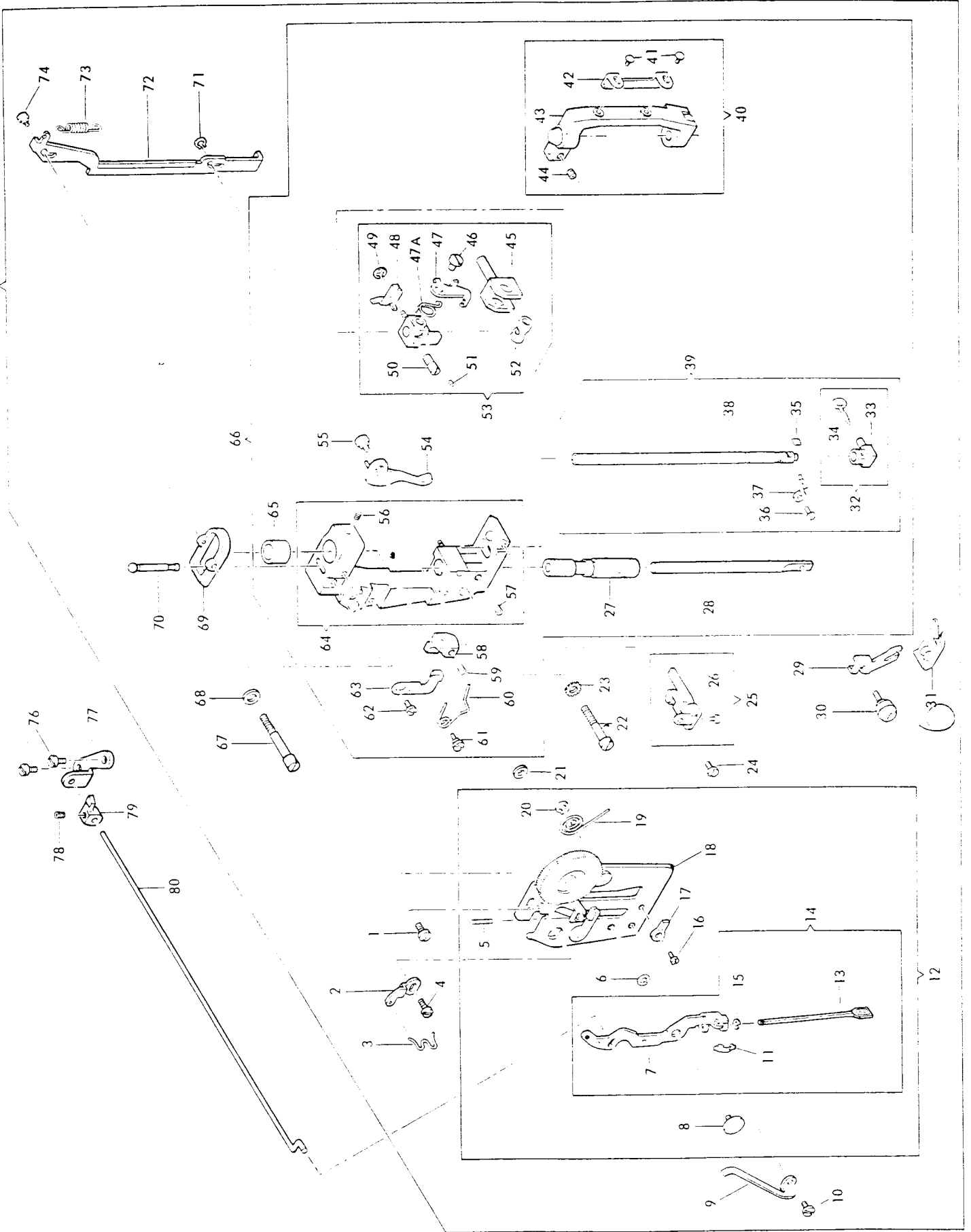
REF. NO.	PART NO.	DESCRIPTION	REF. NO.	PART NO.	DESCRIPTION	REF. NO.	PART NO.	DESCRIPTION
1	354148-451	Rotating Hook Bobbin Case Position Finger Screw	14	141338-869	Rotating Hook Bevel Gear Set Screw	28	181551	Rotating Hook Bobbin Case
2	354474-451	Rotating Hook Bobbin Case Position Finger Adjusting Screw	15	163329	Rotating Hook Bevel Gear with 141338-869	29	54584-451	Rotating Hook Bobbin Case Position Plate Screw Nut
3	181554	Rotating Hook Bobbin Case Position Finger Plate	16	141822-830	Rotating Hook Flanged Bushing Set Screw	30	381708	Red Slide Tension Spring (Can be used in place of Ref. No. 43, 381908)
4	381665	Rotating Hook Bobbin Case Position Finger Mounting Plate	17	181581	Rotating Hook Flanged Bushing	31	354190-451	Rotating Hook Bobbin Case Position Plate Adjusting Screw
5	381847	Rotating Hook Bobbin Case Position Finger with 181554, 354149-451 and 381665	18	181549	Rotating Hook	32	SEE NOTE	Rotating Hook Bobbin Case Position Plate Complete with Red Slide Tension Spring and Eccentric Stud with E-Ring
6	382341	Actuating Lever Complete	19	384417-451	Rotating Hook Bobbin Case Tension Spring Bracket Screw	33	381849	Rotating Hook Bobbin Case Position Plate with 354190-451, 354215-451, 381732, 381884 and 381885
7	153884	Rotating Hook Bobbin Driving Shaft Retaining Ring	20	381694	Tension Spring Bracket Screw Washer	34	181555	Rotating Hook Bobbin Case Position Plate
8	181576	Rotating Hook Bobbin Winder Lifting Bracket	21	383356-93/181558	Rotating Hook Bobbin Case with 138995-451, 181558, 181559, 354151-451, 354164-451, 381694 and 382315	35	381884	Rotating Hook Bobbin Case Position Plate
9	181565	Rotating Hook Bobbin Driving Shaft Spacer	22	354164-451	Rotating Hook Bobbin Case Tension Spring Clamping Screw	36	381885	Cushion Spring
10	181563	Rotating Hook Bobbin Driving Shaft Complete with 153884, 181562, 181564, 181565 and 181576	23	382315	Rotating Hook Bobbin Case Tension Auxiliary Spring	37	354215-451	Rotating Hook Bobbin Case Cushion Spring Washer
11	181564	Rotating Hook Bobbin Driving Shaft Clutch Spring	24	181550	Rotating Hook Bobbin Case Tension Spring	38	151576	Cushion Spring Screw
12	181562	Rotating Hook Bobbin Driving Shaft	25	181559	Rotating Hook Bobbin Case Tension Spring Bracket	39	181556-001	Rotating Hook Bobbin Case Position Plate Adjusting Stud (Eccentric) Retaining Ring
13	163791	Rotating Hook Bobbin Winder Actuating Lever Shaft Cam Follower Spring	26	381096	Tension Spring Regulating Screw Friction Washer	40	354150-452	Rotating Hook Bobbin Case Position Plate Adjusting Stud (Eccentric)
			27	354290-451	Rotating Hook Bobbin Case Tension Regulating Screw	41	141822-451	Rotating Hook Flanged Bushing Set Screw
						42	354392-451	Red Slide Tension Spring Screw (4 x 18 thread)
						43	381908	Red Slide Tension Spring (Can not be used in place of Ref. No. 30, 381708)

NOTE: KIT NO. 382444 IMPROVED HOBIN CASE CONTROL INCLUDES #21 AND #32 SEE SERVICE BULLETIN SF1 38

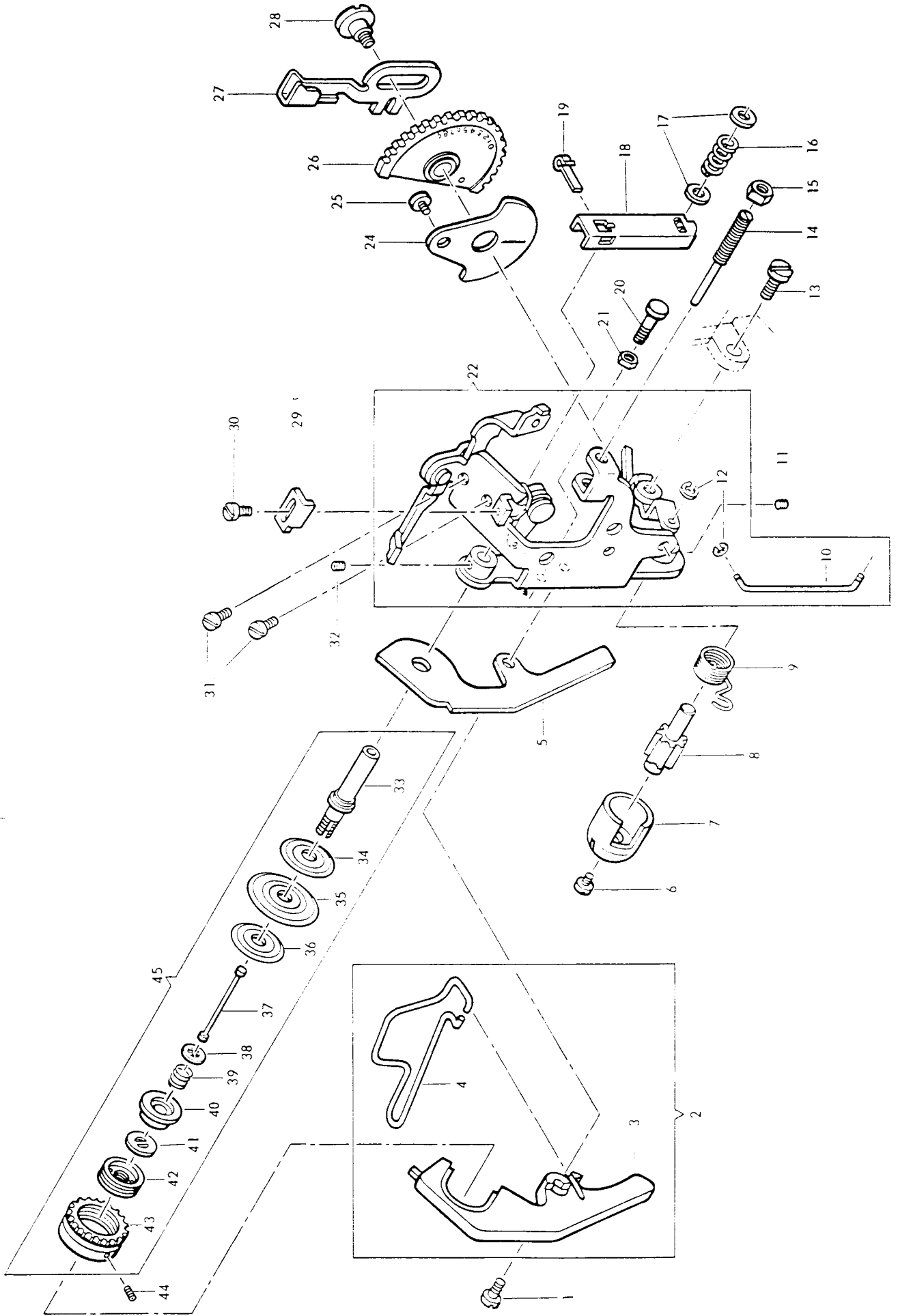
WAVE AGENCY

900-3 / 920-3 Macchine (HEAD END)

75



900-3/920-3 Machine (TENSION MODULE)

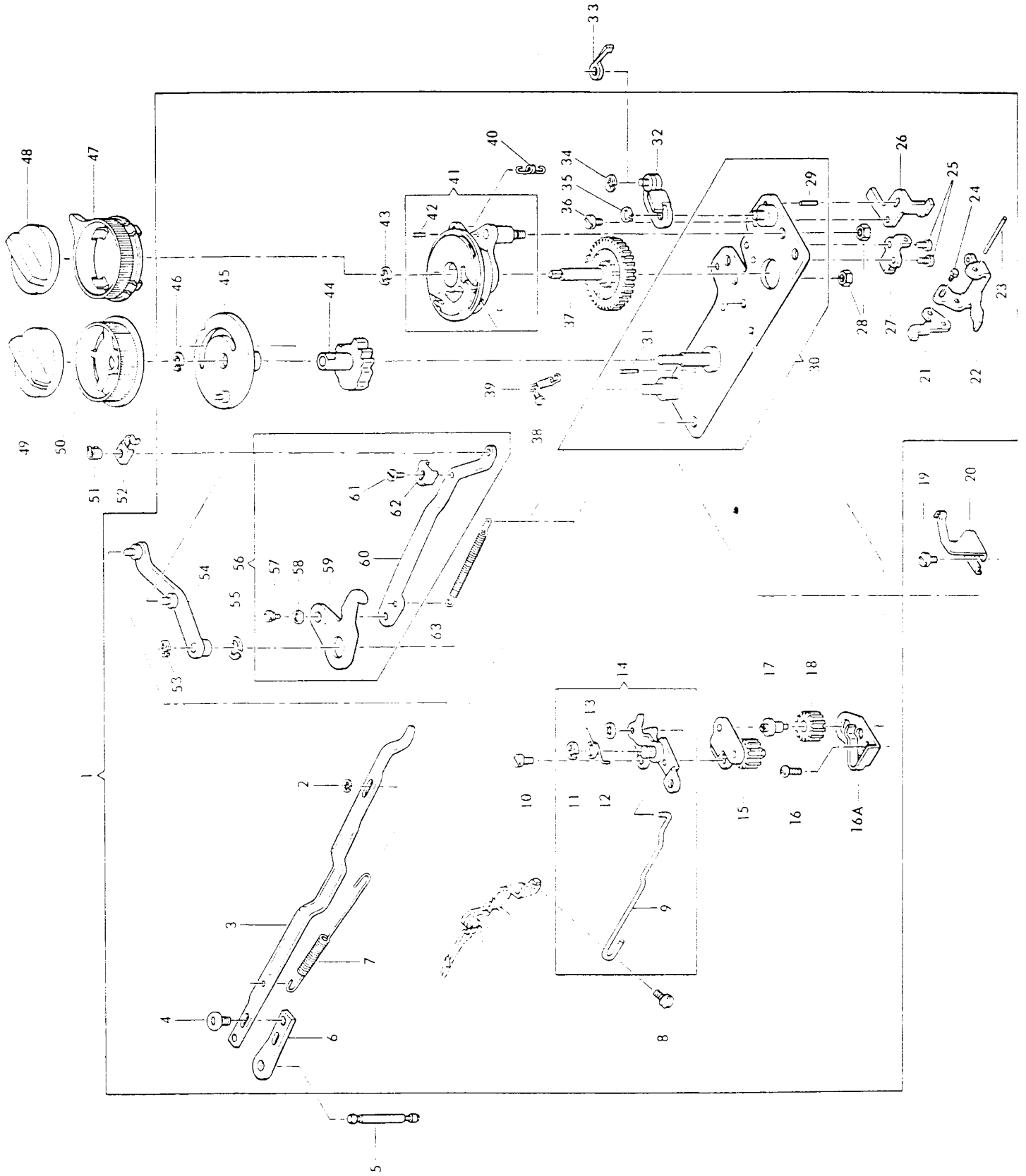


List of Parts - S J-3/920-3 Machine

REF. NO.	PART NO.	DESCRIPTION	REF. NO.	PART NO.	DESCRIPTION	REF. NO.	PART NO.	DESCRIPTION
1	354236-451	Thread Take-up Spring; Thread Guard Screw	14	181873-451	Tension Adjusting Screw	30	141862-814	Tension Release Lever
2	382433-451	Thread Take-up Spring; Thread Guard with 382430-451, and 381883	15	54593-451	Tension Adjusting Screw Mt	31	141824-814	Adjusting Plate Screw
3	382430-451	Thread Take-up Spring; Thread Guard (plastic)	16	181877	Tension Spring	32	354048-451	Tension Mounting Bracket Screw (2)
4	381883	Thread Take-up Spring; Thread Guard Bar	17	172731	Tension Spring Adjusting; Screw Washer (2)	33		Thread Take-up Spring; Stud Set Screw
5	381698-451	Tension Thread Guard	18	181855	Tension Regulating Slide Plate	34	181878	Tension Stud
6	354049-451	Thread Take-up Spring; Adjusting; Screw	19	172906	Tension Regulating Slide Plate Spring Clip	35	381644	Tension Disc (small)
7	181861-451	Thread Take-up Spring; Cap and Slack Thread Regulator (plastic)	20	354167-451	Tension Regulating Slide Positioning; Screw	36	382438	Tension Disc (large)
8	182077	Position Collar	21	53637-803	Tension Regulating Slide Positioning; Mt	37	181857	Tension Disc (small)
9	181872	Thread Take-up Spring; Tension Release Lever	22	181853	Tension Mounting; Bracket with 171272, 381582 and 381811	38	174398	Tension Disc Pressure Pin
10	381582	Tension Release Lever Connection	24	182222	Tension Indicator (plastic)	39	174418	Tension Disc Pressure Plate Pre-Tension Spring
11	354048-451	Tension Stud Set Screw	25	141697-814	Tension Indicator Screw	40	381709	Pre-Tension Spring; Adjusting; Mt
12	171272	Tension Release Lever Connection Stud Retaining; Ring (2)	26	181848-451	Tension Indicator Dial (plastic)	41	174394	Tension Cap Friction Washer
13	354419-451	Tension Releasing Lever Actuator Hinge Bushing; Support Screw	27	181854	Tension Regulating Slide Hinge Screw	42	381695	Pre-Tension Spring; Locking; Cap
			28	354045-451	Tension Indicator; Dial Adjusting Plate	43	382431-451	Thread Take-up Spring; Thread Guard Positioner
			29	381719	Tension Release Lever	44	354194	Thread Take-up Spring; Thread Guard Positioner; Set Screw
						45	382434-451	Tension Stud Compl. Nut

Handwritten notes: 181877, 181855, 181853, 181854, 181848-451, 181854, 354045-451, 381719

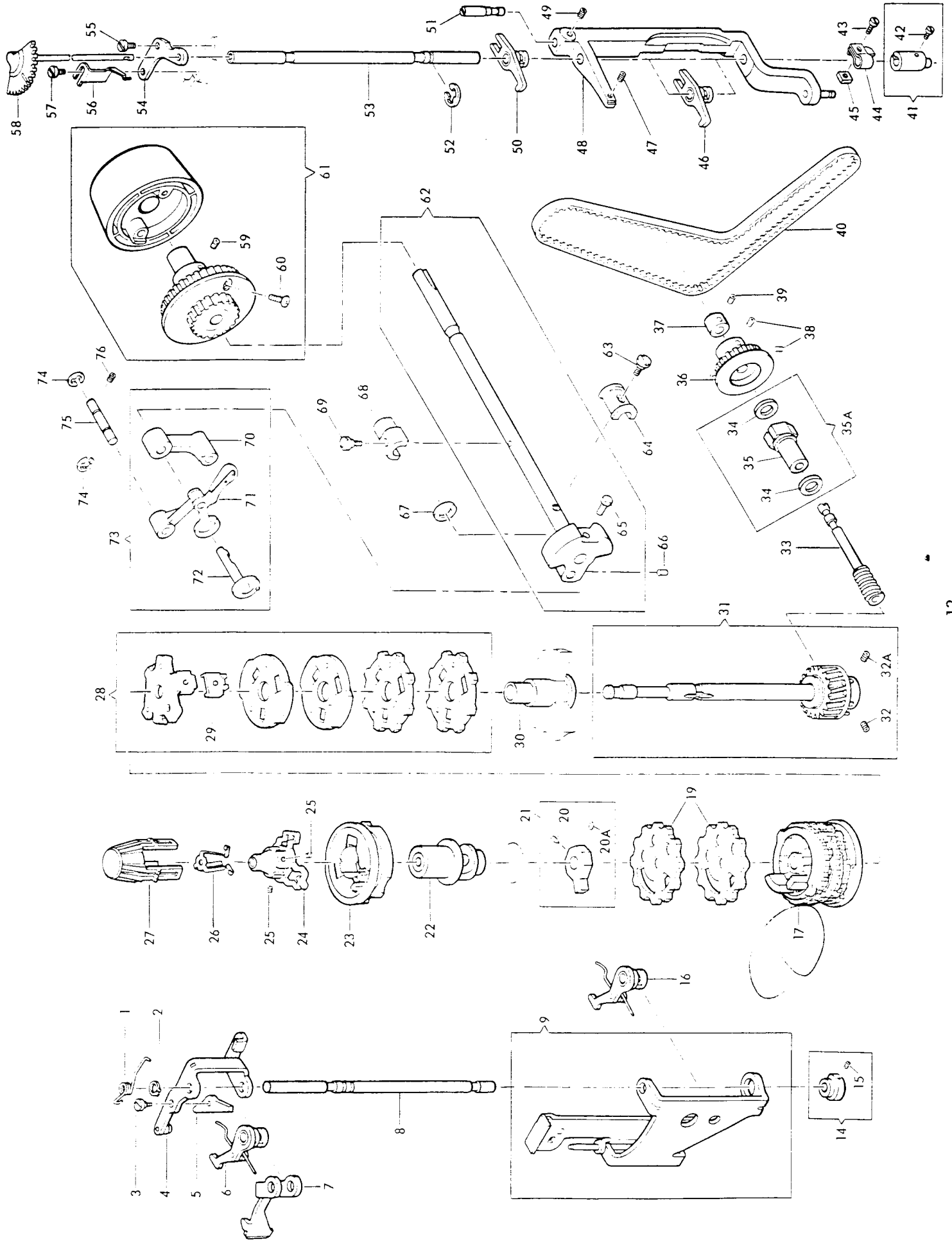
900-3/920-3 Mach. (BIGHT AMPLITUDE)



List of Parts - 9L 3/920-3 Machine

REF. NO.	PART NO.	DESCRIPTION	REF. NO.	PART NO.	DESCRIPTION	REF. NO.	PART NO.	DESCRIPTION
1	182172-451	Right Amplitude and Needle Positioning Control Module	20	182111	Right Amplitude Control Cam Positioning Spring (adjustable)	41	182133	Disc Pattern Selector Kick-out Dial Mounting Plate
2	14494	Needle Bar Driving Arm Retaining Ring	21	381598	Disc Pattern Selector Kick-out Dial Release Lever Link	42	182090	Disc Pattern Selector Kick-out Dial Body Stop Pin
3	182164	Needle Bar Driving Arm	22	182092	Disc Pattern Selector Kick-out Dial Release Lever	43	507563	Disc Pattern Selector Dial Seat
4	354232-451	Ball Joint Screw	23	182094	Disc Pattern Selector Kick-out Dial Release Lever Hinge	44	382383	Needle Position Control Cam
5	182002	Needle Bar Vibrating Bracket Ball Stud	24	354153-451	Disc Pattern Selector Kick-out Dial Release Lever Link Screw	45	182109	Right Amplitude Control Cam
6	182016	Needle Bar Driving Arm Ball Joint	25	354071-451	Disc Pattern Selector Kick-out Dial Release Hinge Mounting Bracket Screw (2)	46	165472	Needle Position Control Cam Retaining Ring
7	182017	Needle Bar Driving Arm Tension Spring	26	182091	Needle Bar Driving Arm Plate Stop	47	182160-451	Disc Pattern Selector Kick-out Dial (plastic)
8	139887-803	Disc Pattern Selector Needle Bar Release Actuating Lever Link Screw	27	182093	Disc Pattern Selector Kick-out Dial Release Hinge Mounting Bracket	48	381607-451	Disc Pattern Selector Dial
9	381684	Disc Pattern Selector Kick-out Dial Body Needle Bar Release Push Rod	28	51644-814	Disc Pattern Selector Kick-out Dial Mounting Plate Stud Nut (2)	49	381605-451	Right Amplitude Control Dial
10	354030-451	Disc Pattern Selector Plate Screw	29	182089	Needle Bar Driving Arm Plate Stop Pin	50	182113-451	Right Amplitude Control Dial (plastic)
11	163562	Kick-out Dial Body Needle Bar Release Follower Spring Retaining Ring	30	182079	Right Amplitude, Needle Position and Disc Selector Control Mounting Plate	51	86794	Buttonhole Needle Position Controller Retaining Spring Clip
12	381683	Disc Pattern Selector Kick-out Dial Body Needle Bar Release Follower Spring	31	182090	Needle Position Cam Stop Pin	52	381652	Buttonhole Needle Position Follower Retaining Spring
13	381513	Disc Pattern Selector Kick-out Dial Body Needle Bar Release Push Rod Retaining Ring	32	381609	Needle Bar Driving Arm Plate Kick-out	53	151576	Right Amplitude Control Lever Retaining Ring
14	381682	Disc Pattern Selector Kick-out Dial Body Needle Bar Release Follower	33	182127	Needle Bar Driving Arm Kick-out Connecting Link	54	182099	Right Amplitude Control Lever
15	381604	Disc Pattern Selector Gear Plate	34	165472	Needle Position Control Cam Retaining Ring	55	167160	Needle Position Cam Follower Arm Retaining Rib
16	354121-451	Needle Position Control Cam Positioning Spring Screw	35	155072	Needle Bar Driving Arm Plate Kick-out Retaining Ring	56	381636	Needle Position Control Link
16 A	382394	Needle Position Control Cam Positioning Spring	36	354077-451	Disc Pattern Selector Drive Gear (plastic)	57	139906-451	Needle Position Control Link (eccentric) Screw
17	182084	Right Amplitude and Needle Position Control Dial Stud	37	182154	Disc Pattern Selector Kick-out Dial Return Spring Screw	58	381750	Needle Position Control Link Eccentric Stud
18	182147	Disc Pattern Selector Idle Gear (plastic)	38	354128-451	Disc Pattern Selector Kick-out Dial Return Spring	59	182124	Needle Position Cam Follower Arm
19	141877-014	Right Amplitude Control Cam Positioning Spring Screw	39	182156	Disc Pattern Selector Kick-out Dial Return Spring	60	381527	Needle Position Control Link Stop (adjustable) Screw
			40	182096	Disc Pattern Selector Kick-out Dial Release Lever Spring	61	139906-451	Needle Position Control Link Stop (adjustable)
						62	381635	Needle Position Control Link (left) Spring
						63	182162	Needle Position Control Link (left) Spring

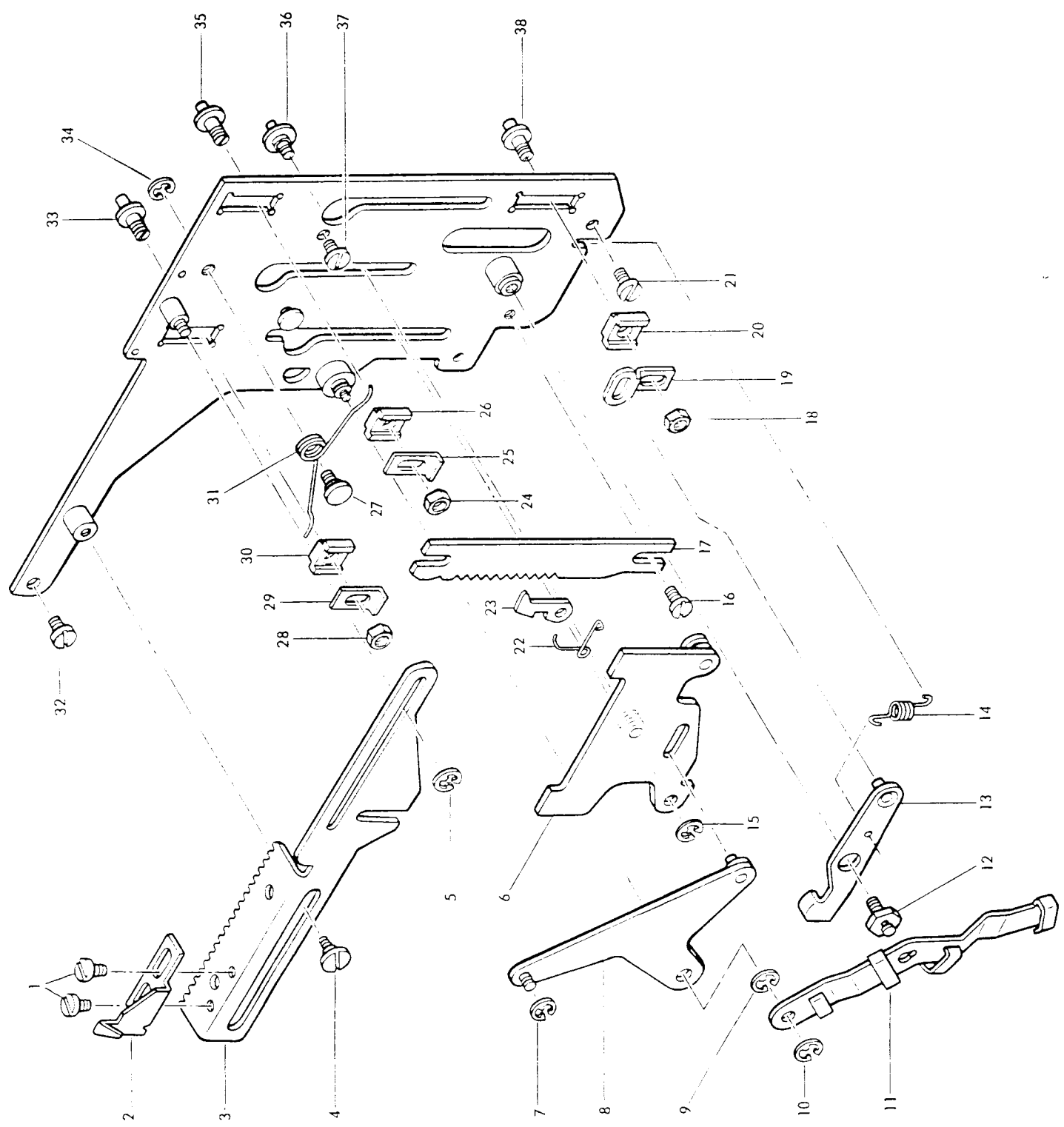
900-3/920-3 Machine (C.M. STACK AND FOLLOWERS)



List of Parts - 9(3 / 920-3 Machine

REF. NO.	PART NO.	DESCRIPTION	REF. NO.	PART NO.	DESCRIPTION	REF. NO.	PART NO.	DESCRIPTION
1	182166	Disc Pattern Selector Kick-out Lever Return Spring	31	382308	Disc Stack Shaft with Gear Assembly	49	141832-869	Disc (Feed Control) Follower
2	182150	Disc Pattern Selector Lever Retaining Ring	32	141834-869	Disc Driving Worm Wheel Positioning Screw	50	381975	Eccentric Stud Set Screw (upper)
3	141824-814	Needle Bar Driving Arm	33A	354176	Disc Driving Worm Wheel Set Screw	51	381948	Disc (Feed Control) Follower
4	182138	Kick-out Actuator Screw	33	181885	Disc Stack Driving Gear	52	163562	Eccentric Stud (upper and lower) Shaft
5	182128	Disc Pattern Selector Kick-out Lever	34	382404	Disc Stack Driving Gear Bushing (Eccentric) Washer (Plastic) (?)	53	181943	Disc (Feed Control) Follower
6	182015	Needle Bar Driving Arm	35	382403	Disc Stack Driving Gear Bushing (Eccentric)	54	381651	Disc (Feed Control) Follower (lower and upper) Shaft Support Bracket
7	182026	Kick-out Actuator Follower (upper)	36	382432	Disc Stack Driving Gear Bushing Repair Kit consisting of 382403 and 382404 (?)	55	354090-451	Disc (Feed Control) Follower (upper and lower) Shaft Support Bracket Screw
8	181944	Disc (Needle Position) Follower (upper and lower) Shaft	37	174235	Disc Driving Gear Pulley with two 354176	56	381820	Buttonholer Disc Friction Spring
9	382495	Needle Bar Driving Arm Plate with 181949, 381530 and two 382321	38	354176-451	Disc Driving Gear Pulley Set Screw (?)	57	354090	Disc (Feed Control) Follower (upper and lower) Shaft Support Bracket Screw
14	381529	Needle Bar Driving Arm Plate	39	141802	Disc Stack Driving Gear Collar Set Screw	58	181942-451	Feed Balancing Dial
15	354043-451	Hinge Bracket (lower) Eccentric	40	181732	Belt (from hand wheel pulley) to Disc Stack Driving Gear Pulley and Rotating Hook Drive Shaft	59	354701-451	Hand Wheel Pulley Set Screw
16	182015	Hinge Bracket (lower) Eccentric Screw	41	381993	Belt Pulley	60	354317-451	Hand Wheel Screw
17	182244	Disc (Needle Position) Follower (lower)	42	381993	Disc Controlled Feed Lever and Feed Balance Eccentric	61	382438-451	Hand Wheel Complete
19c	182038	Disc Stack Complete	43	354297	Disc Controlled Feed Lever and Feed Balancing Eccentric Screw	62	181605	Arm Shaft (horizontal)
20	354163-451	Zig-zag discs (?) (Fixed)	44	141852	Disc Controlled Feed Lever and Feed Balancing Eccentric	63	139997-451	Arm Shaft Collar Screw
20A	354176	Disc Stack Driver Set Screw	45	141852	Adjustable Clamping Clip Screw	64	181608	Arm Shaft Collar
21	381664	Disc Stack Driver and Screws	46	381994	Disc Controlled Feed Lever and Feed Balancing Eccentric	65	130099-451	Needle Bar Crank Position Screw
22	182170	Disc Stack Shaft Bushing (upper)	47	354079-451	Disc Controlled Feed Lever and Feed Balancing Eccentric	66	140992-820	Thread Take-up Crank (Eccentric) Set Screw
23	382388	Buttonholer Disc	48	381972	Disc Controlled Feed Lever Connection Bracket	67	181620	Needle Bar Crank Washer
24	381548	Disc Driver	49	179117	Disc Controlled Feed Lever and Feed Balancing Eccentric	68	182163	Disc Pattern Selector Kick-out Dial Releasing Cam (Plastic)
25	354401-451	Disc Driver Set Screw (2)	50	381975	Disc Controlled Feed Lever and Feed Balancing Eccentric	69	139997	Disc Pattern Selector Kick-out Dial Releasing Screw
26	182184	Disc Retaining Spring	51	354079-451	Disc Controlled Feed Lever and Feed Balancing Eccentric	70	3542467	Needle Bar Connecting Link
27	381898	Disc Release and Buttonholer Cam Drive Knob	52	381975	Disc Controlled Feed Lever and Feed Balancing Eccentric	71	181624	Thread Take-up Lever Compl.
28	381846	Disc Pattern Feed Cams and Driver	53	381975	Disc Controlled Feed Lever (Lower)	72	381574	Thread Take-up Crank Eccentric
29	381882	Disc Pattern Feed Cam Driver	54	354079-451	Disc Controlled Feed Lever Connection Bracket	73	381734	Thread Take-up Lever Link
30	182183	Disc Stack Shaft Bushing (lower) Clip	55	381972	Disc Controlled Feed Lever Connection Bracket	74	151525	Thread Take-up Lever Link Retaining Ring
						75	181625	Hinge Stud
						76	141835-814	Thread Take-up Lever Link Hinge Stud Set Screw

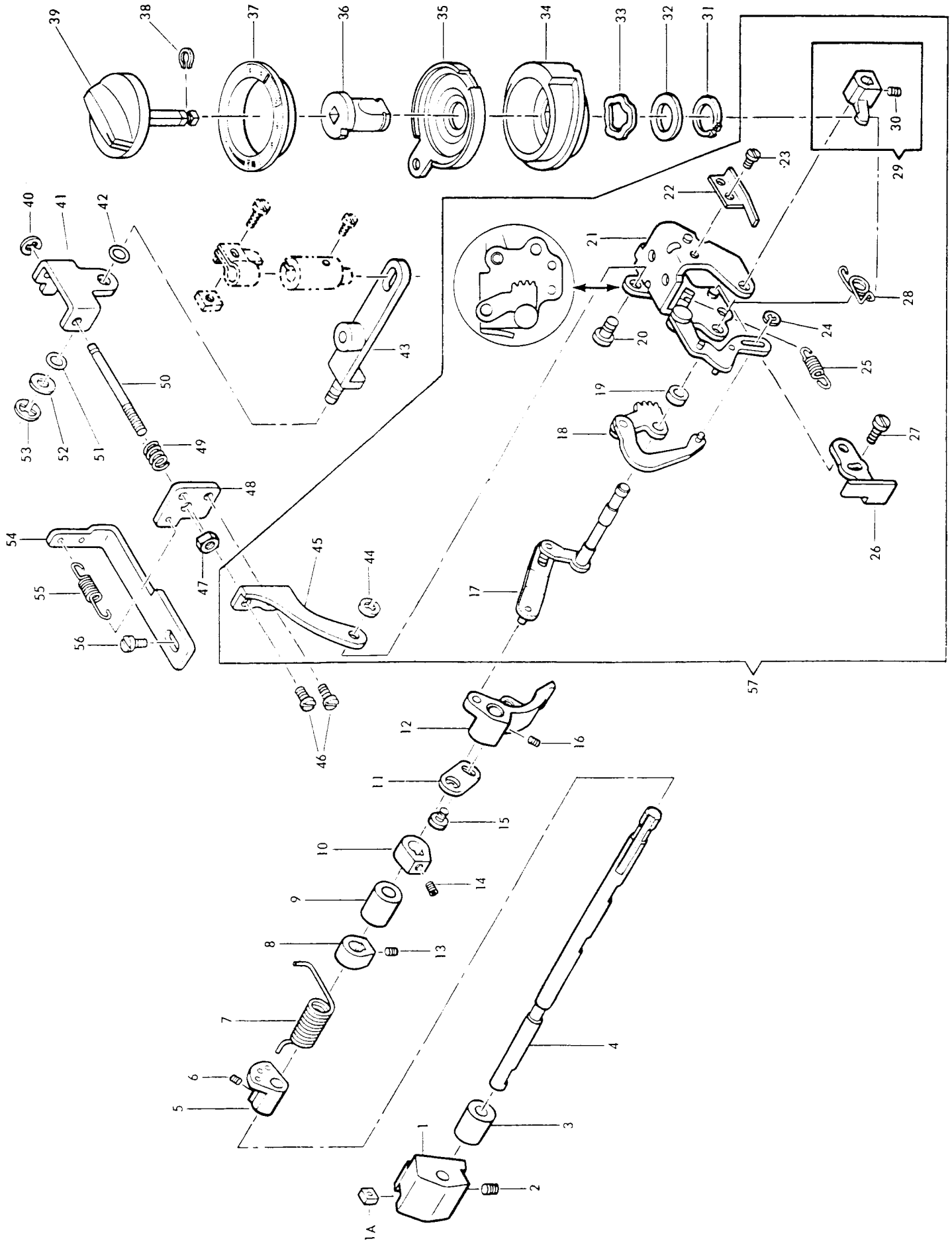
900-3 / 920-3 Machine (M SELECTOR MECHANISM)



List of Parts - 9 3/920-3 Machine

REF. NO.	PART NO.	DESCRIPTION	REF. NO.	PART NO.	DESCRIPTION	REF. NO.	PART NO.	DESCRIPTION
1	354071-451	Disc Selector Pattern Indicator Screw (2)	13	181942	Disc (Feed Control) Follower (Lower) Slide Block Lever	26	181979	Disc (Feed Control and Needle Position) Followers (upper and lower) Slide Block (3)
2	181996	Disc Selector Pattern Indicator	14	14470	Disc (Feed Control) Follower (Lower) Slide Block Lever Spring	27	181975	Disc Followers (upper) Spring Stud
3	181995	Disc (Feed Control and Needle Position) Followers (upper and lower) Actuating Slide Rack	15	14494	Disc (Needle Position) Follower (Lower) Selector Stud Retaining Ring	28	54504-451	Disc (needle position) Follower (upper) Selector Stud Nut
4	354125-451	Disc (Feed Control and Needle Position) Followers (upper and lower) Actuating Slide Rack Screw	16	354301-451	Disc (Needle Position) Follower (Lower) Selector Positioning Plate Screw	29	181980	Disc (Feed Control and Needle Position) Followers (upper and lower) Slide Block Plate (2)
5	382321	Disc (Feed Control and Needle Position) Followers (upper and lower) Actuating Slide Rack Retaining Ring	17	181974	Disc (Needle Position) Follower (Lower) Selector Positioning Plate	30	181979	Disc (Feed Control and Needle Position) Followers (upper and lower) Slide Block (3)
6	181991	Disc (Feed Control and Needle Position) Follower (Upper and lower) Actuating Plate	18	54504-451	Disc (Feed Control) Follower (Lower) Selector Stud Nut	31	181976	Disc (Feed Control and Needle Position) Followers (upper and lower) Slide Block (3)
7	165472	Disc (Feed Control and Needle Position) Followers (upper and lower) Actuating Plate Lever Retaining Ring	19	181977	Disc (Feed Control) Follower (Lower) Slide Block Adjusting Plate	32	354090-451	Disc (Feed Control) Follower (upper and lower) Shaft Support Bracket Screw (2)
8	181988	Disc (Feed Control and Needle Position) Follower (upper and lower) Actuating Plate Lever Retaining Ring	20	181979	Disc (Feed Control and Needle Position) Followers (upper and lower) Slide Block (3)	33	181981	Disc (Needle Position) Follower (upper) Selector Stud
9	151527	Disc Selector Actuating Lever Retaining Ring	21	354090-451	Disc Controlled Feed Lever Bracket Stop Screw	34	165472	Disc Followers (upper) Spring Stud Retaining Ring
10	14494	Light Wire Harness Bracket Retaining Ring	22	181994	Disc (Needle Position) Follower (Lower) Selector Positioning Pawl Spring	35	181978	Disc (Feed Control) Follower (upper and lower) Selector Stud (2)
11	381796	Light Wire Harness Bracket	23	181993	Disc (Needle Position) Follower (Lower) Selector Positioning Pawl	36	181992	Disc (Needle Position) Follower (Lower) Selector Stud
12	354124-451	Disc (Feed Control) Follower (Lower) Slide Block Lever Screw	24	54504-451	Motor Adjusting Stud (Eccentric) Jan Mat	37	354090-451	Disc (Feed Control) Follower (upper and lower) Shaft Support Bracket Screw (2)
			25	181980	Disc (Feed Control and Needle Position) Followers (upper and lower) Slide Block Plate (2)	38	181978	Disc (Feed Control) Follower (upper and lower) Selector Stud (2)

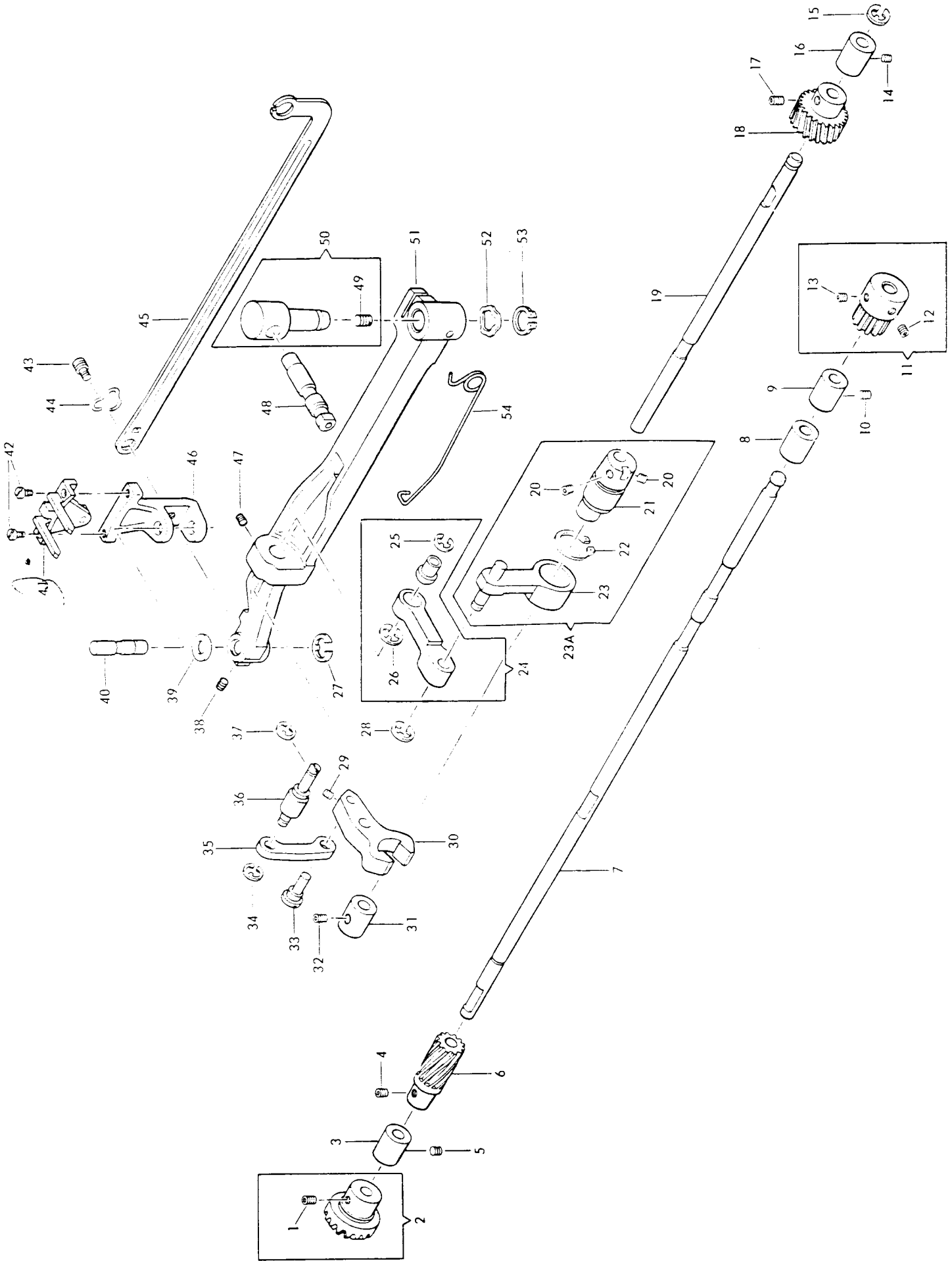
900-3/920-3 Machine ED CONTROL MECHANISM



List of Parts - 900-3/920-3 Machine

REF. NO.	PART NO.	DESCRIPTION	REF. NO.	PART NO.	DESCRIPTION	REF. NO.	PART NO.	DESCRIPTION
1	181956	Feed Regulator	21	182072	Feed Control Mounting Bracket	41	381844	Disc Controlled Feed Lever Bracket
1A	511030	Feed Regulator Slide Block	22	181886	Feed Control Cam Friction Spring and Stop	42	181925	Disc Controlled Feed Lever Ball Stud Spacer (?)
2	141818-869	Feed Regulator Shaft Bushing (left)	23	141862-814	Feed Control Cam Friction Spring and Stop Screw	43	181927	Disc Controlled Feed Lever Connector
4	181897	Feed Regulator Shaft	24	143513	Feed Regulator Shaft Controlling Lever-Follower Stud Retaining Ring	44	143576	Disc Controlled Feed Lever Connection Driving Shaft Bracket
5	181900	Spring Adjusting Collar	25	382327	Feed Control Cam Follower Lever Spring	45	381841	Hinge Stud Retaining Ring
6	141772-869	Feed Regulator Shaft Tension Spring Adjusting Collar Set Screw	26	381934	Feed Control Cam Support (adjustable)	46	374197-451	Disc Controlled Feed Lever Screw (?)
7	181906	Feed Regulator Shaft Tension Spring	27	141824-814	Feed Control Cam Support Adjusting Screw	47	54600-451	Disc Controlled Feed Lever Screw Stud Nut
8	181900	Feed Regulator Shaft Collar (2)	28	181911	Reverse Feed Lever Return Spring	48	381845	Disc Controlled Feed Lever Plate
9	181898	Feed Regulator Shaft Bushing (right)	29	181910	Reverse Feed Lever	49	381541	Disc Controlled Feed Lever Spring
10	181900	Feed Regulator Shaft Collar (2)	30	374248-451	Reverse Feed Lever Set Screw	50	381842	Disc Controlled Feed Lever Screw Stud
11	381611	Feed Regulator Shaft Controlling Lever Plate (adjustable)	31	141545	Feed Control Cam Bushing Retaining Ring	51	181925	Disc Controlled Feed Lever Ball Stud Spacer (?)
12	181901-901	Feed Regulator Shaft Controlling Lever	32	381520	Feed Control Cam Bushing Spring Washer	52	382417	Disc Controlled Feed Lever Ball Stud Washer
13	141802-869	Feed Regulator Shaft Collar Set Screw (2)	33	381641	Feed Control Cam Bushing Spacer	53	163562	Disc Controlled Feed Lever Ball Stud Retaining Ring
14	141802-869	Feed Regulator Shaft Collar Set Screw (2)	34	181879	Feed Control Cam (plastic)	54	382400	Disc Controlled Feed Lever Bracket Stop
15	141872	Feed Regulator Shaft Controlling Lever Plate Adjusting Screw	35	381626	Feed Control Knob Ring Retaining Cup	55	381838	Disc Controlled Feed Lever Bracket Return Spring
16	141338-869	Feed Regulator Shaft Controlling Lever Set Screw	36	182181	Feed Control Cam Bushing	56	374080-451	Disc Controlled Feed Lever Bracket Stop Screw
17	182073	Reverse Feed Lever Shaft	37	382477-451	Feed Control Knob Ring (plastic)	57	181892	Feed Control Mounting Bracket
18	182076	Feed Control Cam Follower Lever Link	38	381502	Feed Control Knob Retaining Ring (molded)			
19	181894	Disc Controlled Feed Lever Segment (back) Spacer (plastic)	39	181888	Feed Control Knob (plastic, Stud Retaining Ring)			
20	181954	Disc Controlled Feed Lever Segment (back) Stud	40	382375	Disc Controlled Feed Lever Screw Stud Retaining Ring			

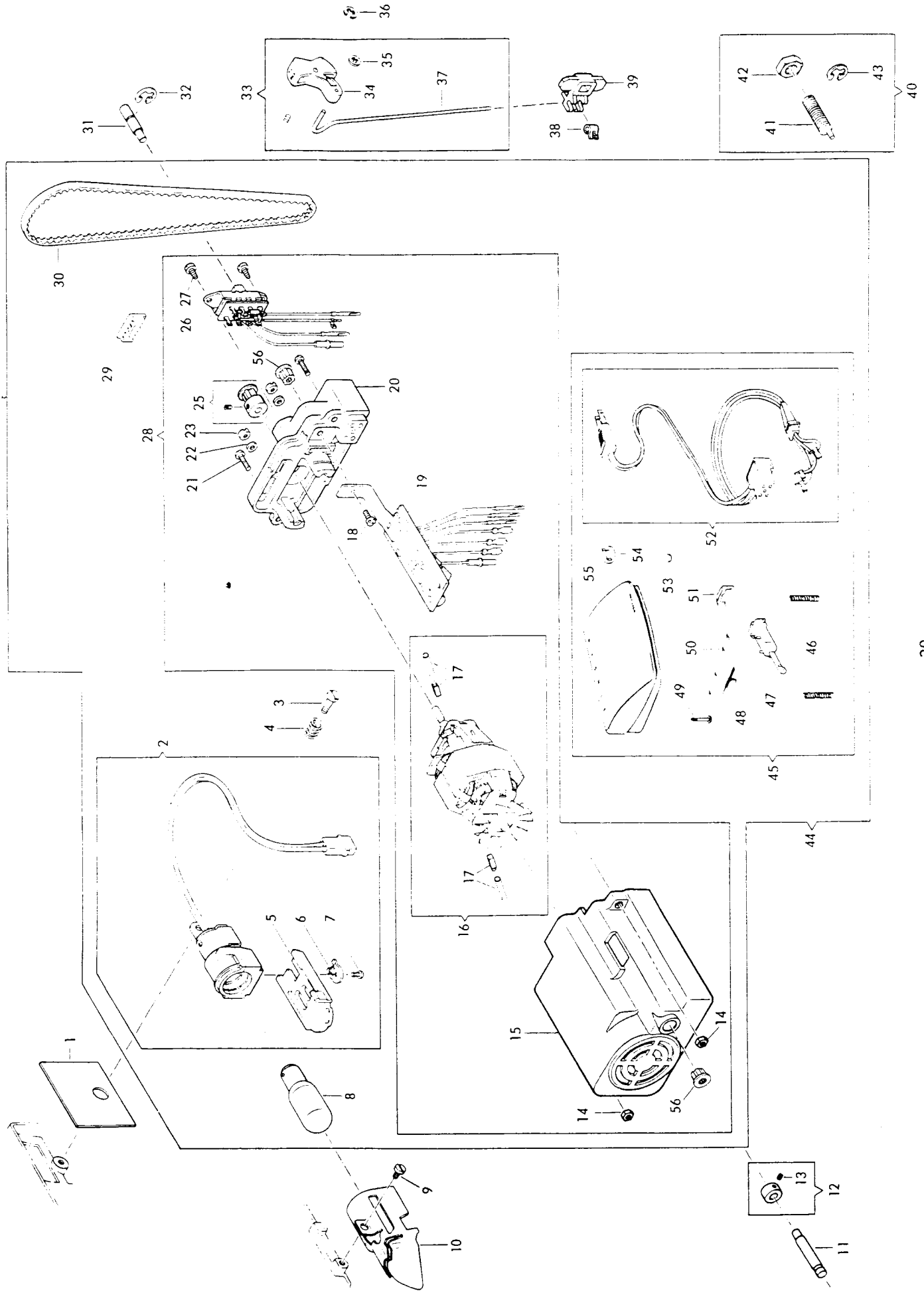
900-3/920-3 Mac ne (ALPHA FEED)



List of Parts - 9 3/920-3 Machine

REF. NO.	PART NO.	DESCRIPTION	REF. NO.	PART NO.	DESCRIPTION	REF. NO.	PART NO.	DESCRIPTION
1	141338-869	Rotating Hook Drive Shaft Revel Gear (plastic) Set Screw	18	174491	Feed Drive Shaft Gear (helical, plastic)	34	163562	Feed Lifting Fork Hinge Stud Retaining Ring (left)
2	163331-901	Rotating Hook Drive Shaft Revel Gear (plastic)	19	181598	Feed Drive Shaft	35	511016	Feed Lifting Fork Connection
3	182117	Rotating Hook Drive Shaft Bushing (left)	20	141802-869	Feed Regulator Shaft Collar Set Screw (2)	36	174248	Feed Bar Connection and Hinge Stud (eccentric)
4	141772-869	Feed Drive Shaft Driving Gear (helical, plastic) Set Screw	21	174244	Feed Lifting Cam and Feed Eccentric	37	163562	Feed Lifting Fork Hinge Stud Retaining Ring (right)
5	141822-451	Feed Drive Shaft Bushing (left) Set Screw	22	174277	Feed Regulator Slide Block Drive Connection Retaining Ring	38	139878-869	Feed Lifting Fork Hinge Stud Set Screw
6	174488	Feed Drive Shaft Driving Gear (helical, plastic)	23	511481	Feed Regulator Slide Block Drive Connection	39	174251	Feed Dog Holder Washer
7	181579	Rotating Hook Drive Shaft	23A	172800	Feed Regulator Slide Block Drive Connection Complete	40	174217	Feed Dog Holder Stud
8	182247	Rotating Hook Drive Shaft Bushing	24	381806	Feed Bar Connection	41	382405	Feed Dog Complete <i>R465C</i>
9	182117	Rotating Hook Drive Shaft Bushing (right)	25	172947	Feed Bar Connection and Hinge Stud (eccentric)	42	141896-830	Feed Dog Screw (2)
10	141822-451	Feed Drive Shaft Bushing (right) Set Screw	26	151576	Spring Washer	43	141827-803	Feed Dog Holder Compensating Link Screw Stud
11	174282-001	Rotating Hook Drive Shaft Belt Pulley	27	163562	Feed Bar Connection Retaining Ring (right)	44	511075	Feed Dog Holder Compensating Link Retaining Spring
12	141338-869	Rotating Hook Drive Shaft Belt Pulley Set Screw (2)	28	151527	Feed Bar Connection and Feed Lifting Fork Connection Hinge Stud (eccentric) Retaining Ring	45	174216	Feed Dog Holder Compensating Link
13	141338-869	Rotating Hook Drive Shaft Belt Pulley Set Screw (2)	29	141802-869	Feed Lifting Fork Connection Hinge Stud (eccentric) Set Screw	46	181838	Feed Dog Holder
14	141822-451	Rotating Hook Drive Shaft Bushing (right) Set Screw	30	174276	Feed Lifting Fork	47	141812-830	Feed Bar Connection and Hinge Stud (eccentric) Set Screw
15	163562	Rotating Hook Drive Shaft Thrust Washer Retaining Ring	31	182117	Feed Drive Shaft Bushing (left)	48	381833	Feed Bar Pivot Hinge Stud Adjusting Pin (eccentric)
16	182117	Rotating Hook Drive Shaft Bushing (right)	32	141823-451	Feed Drive Shaft Bushing (left) Set Screw	49	141801-830	Feed Bar Pivot Hinge Stud Lock Screw
17	141772-869	Feed Drive Shaft Gear (helical, plastic) Set Screw	33	174220	Feed Lifting Fork Connection Hinge Stud (eccentric)	50	174214	Feed Bar Pivot Hinge Stud
						51	174243	Feed Bar
						52	511211	Spring Washer
						53	172876	Feed Bar Pivot Hinge Stud Retaining Ring
						54	182239	Feed Bar Guide Pin Spring

RA6-8 Motor for 900-3/9z0-3 Machine (for U.S.A.)



Parts Comparison Chart - 920-3/920-13
 (Supplement to List of Parts - 900-3/920-3)

920-3 6MM BIGHT	ATTACHMENT SET	920-13 5MM BIGHT	920-13 5MM BIGHT	920-3 6MM BIGHT	BIGHT AMPLITUDE	920-13 5MM BIGHT
PART NUMBER	DESCRIPTION	PART NUMBER	PART NUMBER	PART NUMBER	DESCRIPTION	PART NUMBER
171435 103473 171455	Attachment Set Complete Needle Package (plastic) Feed Cover Plate for Darning and Embroidery	381248 381242 171138	182172-451	*381979 182016	Bight Amplitude and Needle Position Control Module Needle Bar Driving Arm Assembly Needle Bar Driving Arm Ball Joint	382814-451 382815 382799
171466-451 171470 171485 381057-451 181871	Even Feed Foot (complete) Throat Plate for Straight Sewing Chainstitch Attachment Throat Plate Chainstitch Attachment Set Comp. Throat Plate for Zig-Zag Sewing	506415-452 381245 381244 381249-451 382795	920-3 6MM BIGHT	920-3 6MM BIGHT	* Combines 182164 and 381636 CAM STACK AND FOLLOWERS	382814-451 382815 382799
920-3 6MM BIGHT	COVERS	920-13 5MM BIGHT	920-13 5MM BIGHT	920-13 5MM BIGHT	DESCRIPTION	920-13 5MM BIGHT
PART NUMBER	DESCRIPTION	PART NUMBER	PART NUMBER	PART NUMBER	DESCRIPTION	PART NUMBER
181627-451 181588 181628-901	Arm Top Cover Module Bed Slide with Molded Plastic Window Arm Top Cover and Control Panel	382810-451 382801 382797-901	382388	382388	Buttonholer Disc Assembly	382818-451
920-3 6MM BIGHT	HEAD END	920-13 6MM BIGHT	920-3 6MM BIGHT	920-3 6MM BIGHT	FEED CONTROL MECHANISM	920-13 5MM BIGHT
PART NUMBER	DESCRIPTION	PART NUMBER	PART NUMBER	PART NUMBER	DESCRIPTION	PART NUMBER
181644 182236 181664 182002 181669 181688	Head End Module Needle Bar Latch Kick-out Plate (adjustable) Needle Bar Vibrating Bracket Needle Bar Vibrating Bracket Ball Stud Needle Bar Vibrating Bracket Frame Presser Foot Plate (snap-on) Complete for Zig-zag	382811-451 382796 382812 382798 382813 163839	382477-451	382477-451	Feed Control Knob Ring	382477-001
920-3 6MM BIGHT	ALPHA FEED	920-3 6MM BIGHT	920-3 6MM BIGHT	920-3 6MM BIGHT	ALPHA FEED	920-13 5MM BIGHT
PART NUMBER	DESCRIPTION	PART NUMBER	PART NUMBER	PART NUMBER	DESCRIPTION	PART NUMBER
382726 382377 181591 382405 181838	Feed Bar (machined) Feed Bar Feed Bar Complete Feed Dog (K) Feed Dog Holder	382726 382377 181591 382405 181838	382726 382377 181591 382405 181838	382726 382377 181591 382405 181838	Feed Bar (machined) Feed Bar Feed Bar Complete Feed Dog (K) Feed Dog Holder	382807 382808 382809 181843 174215