

FORM 8053--REVISED
JUNE, 1935
PRINTED IN U. S. A.

LIST OF PARTS



MACHINES

Nos. 81-2, 81-5 and 81-13

** A TRADE MARK OF
THE SINGER MANUFACTURING COMPANY

INSTRUCTIONS FOR OILING

To ensure easy running and prevent unnecessary wear of the parts which are in movable contact, the machine requires oiling and when in continuous use, "TYPE B" or "TYPE D" OIL, sold only by Singer Sewing Machine Company, should be applied at least twice each day to all oil holes marked "OIL", as instructed in Form 18194.

"TYPE D" OIL is stainless.

INDEX

| | PAGE |
|------------------------------|------|
| ACCESSORIES..... | 30 |
| BENCH STAND..... | 31 |
| FOOT LIFTER PARTS..... | 31 |
| KNEE LIFTER PARTS..... | 32 |
| KNIFE GRINDER..... | 32 |
| MACHINE No. 81-2..... | 7 |
| MACHINE No. 81-5..... | 16 |
| MACHINE No. 81-13..... | 24 |
| MACHINE BASE..... | 31 |
| NUMERICAL LIST OF PARTS..... | 37 |
| OBSOLETE PARTS..... | 34 |
| THREAD UNWINDER..... | 33 |

Copyright, U. S. A.,
1913, 1916, 1918, 1922, 1923 and 1935,
by The Singer Manufacturing Co.
All Rights Reserved for all Countries

INSTRUCTIONS FOR ORDERING

In ordering from this list, use **ONLY** the part NUMBER in the **FIRST** column.

The number stamped on a Sewing Machine Part is in every case the number of the single part only.

Every combination of parts sent out as such has its specific number, which, although not stamped on the parts, must be used when ordering the combination.

Each number always indicates the **SAME PART** in whatever list it appears, or for whatever machine.

The letters after some of the numbers indicate the style of finish only, as follows:

- A—Hardened, Polished, Nickel Plated and Buffed
- B—Polished, Nickel Plated and Buffed
- C—Hardened Only
- D—Polished Only
- E—Soft, Not Polished
- F—Hardened and Polished
- H—Blued
- J—Nickel Plated Only
- K—Hardened and Nickel Plated
- L—Brass Plated
- M—Oxidized
- N—Japanned, Dull
- P—Japanned, Bright
- R—Merlized
- T—Copper Plated
- T. A.—Hardened, Polished, Copper and Nickel Plated and Buffed
- T. B.—Copper and Nickel Plated and Polished
- T. J.—Copper and Nickel Plated Only
- T. K.—Hardened, Copper and Nickel Plated
- T. M.—Copper Plated and Oxidized
- T. L.—Copper and Brass Plated
- U—Zinc Plated
- V—Silver Plated
- W—Polished and Nickel Plated
- Y—Black Nickel Plated Only
- Z—Chromium Plated
- Z. B.—Polished, Nickel Plated, Buffed and Chromium Plated
- Z. J.—Nickel and Chromium Plated

These letters **MUST BE USED** when they appear in the list; and **AFTER** the number **as** in the list.

In this series:

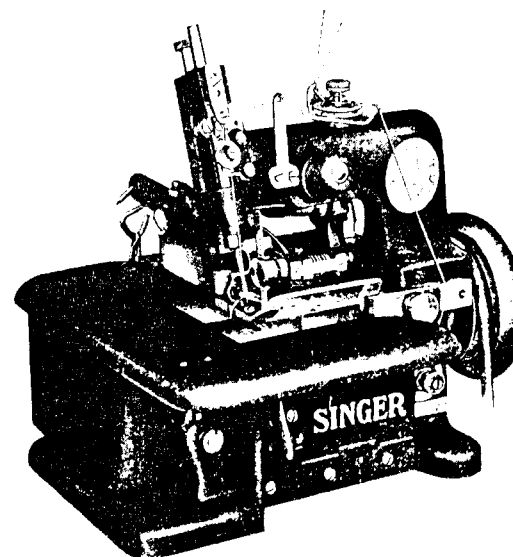
1 to 1500, 50001 to 51500 and 140001 to 142000 are Screw Numbers
 1501 to 1800 and 51501 to 51800 are Nut Numbers
 1801 to 2000 and 51801 to 52000 are Roller Numbers
 2001 to 50000 and 52001 to 190000 are Sewing Machine Parts, 190001 and upward are numbers of Electrical Parts.

The figures in the second column refer only to the plates, illustrating the parts, and are **NOT TO BE USED** in ordering.

Parts marked with an asterisk (*) are furnished only when repairs are made at factory.

LIST OF PARTS COMPLETE

FOR



MACHINE No. 81-2

FOR TRIMMING AND OVEREDGING FLANNELS, MUSLINS, DENIMS AND OTHER FABRICS; INSERTING SLEEVES IN SHIRT WAISTS. WRAPPERS, ETC. ALSO STITCHING POCKETS INTO TROUSERS. BIGHT ADJUSTABLE FROM $\frac{1}{8}$ TO $\frac{1}{2}$ IN. THREE THREAD STITCH. FOOT LIFTER.

| NO. | PLATE | NAME |
|--------|-------|--|
| *42484 | --- | Arm with 15404 and two each 462c, 624c, 15405, 42253 and 42487..... |
| 4389 | 5543 | Arm Dowel Pin..... |
| | 949e | " Screw |
| 42001 | 5576 | Balance Wheel, 2 $\frac{1}{8}$ in. pulley, with 424c and 1354c |
| 1354c | 5562 | Balance Wheel Position Screw |
| 424c | 5562 | " " Set Screw |

| NO. | PLATE | NAME |
|-------|-------|--|
| 42002 | 5526 | Cloth Plate |
| 42107 | — | Cloth Plate complete, Nos. 42002, 42003, 42005, 42108, two 236c and five 229e |
| 42003 | 5526 | Cloth Plate Extension (lower) |
| 229e | 5562 | " " " " Screw |
| 42108 | 5526 | " " " (upper) |
| 229e | 5562 | " " " " Screw |
| 1437d | 5562 | " " Hinge Screw |
| 1655e | 5562 | " " " " Nut |
| 42005 | 5526 | " " Lock Spring |
| 236c | 5562 | " " " " Screw |
| 42006 | 5529 | Feed Bar with 1253c |
| 42007 | 5529 | " " Hinge Pin |
| 1253c | 5529 | " " " " Set Screw ... |
| 42008 | 5529 | " Connecting Rod with two 1057e |
| 1057e | 5529 | " " " Cap Screw ... |
| 1373c | 5529 | " " " Hinge Screw .. |
| 1520c | 5529 | " " " " " Nut |
| 42109 | 5531 | " Dog, 24 teeth (16 teeth to the inch) for 42129 and 42134 |
| 42165 | 5592 | Feed Dog, 24 teeth (16 teeth to the inch) for 42171, for sewing very heavy pockets in trousers |
| 190d | 5556 | Feed Dog Screw |
| 42011 | 5529 | " Eccentric with two 453c |
| 42094 | 5526 | " " Cover |
| 207f | 5529 | " " " Screw |
| 453c | 5529 | " " Set Screw |
| 42208 | 5596 | " Lifting Eccentric with two 462c |
| 42013 | 5529 | " " " Connection .. |
| 462c | 5529 | " " " Set Screw .. |
| 1374c | 5530 | " Regulating Screw Stud |
| 1680c | 5530 | " " " " Nut .. |
| 42290 | 5530 | " " " " Washer |
| 42014 | 5530 | " Regulator with 233j and two 1259c |
| 42015 | 5529 | Feed Regulator Connection with 1012e |
| 1012e | 5529 | Feed Regulator Connection Adjust- ing Screw |
| 1373c | 5529 | Feed Regulator Connection Hinge Screw |
| 1520c | 5529 | Feed Regulator Connection Hinge Screw Nut |

| NO. | PLATE | NAME |
|--------|-------|---|
| 42016 | 5530 | Feed Regulator Hinge Stud |
| 42017 | 5529 | " " Indicator |
| 42018 | 5530 | " " " Plate |
| 337d | 5530 | " " " Screw |
| 207f | 5529 | " " " Screw ... |
| 1259c | 5530 | " " Set Screw |
| 233j | 5530 | " " Stop Screw |
| 42019 | 5530 | " Rock Shaft |
| 42020 | — | Feed Rock Shaft complete, Nos. 42019 and 42021 |
| 42021 | 5530 | Feed Rock Shaft Crank with 157e .. |
| 157e | 5530 | " " " " Clamping Screw |
| 42098 | 5530 | Feed Rock Shaft Hinge Pin |
| 42079 | 5530 | " " " " " Bushing |
| 1036c | 5530 | " " " " " " |
| | | Set Screw |
| *42022 | — | Frame |
| 42023 | 5576 | " Rotary Shaft |
| 42024 | 5576 | " " " Bushing (front) |
| 1036c | 5530 | " " " " " " |
| | | Set Screw |
| 42110 | 5545 | Frame Rotary Shaft Crank with 1036c and 1375c |
| 1375c | 5553 | Frame Rotary Shaft Crank Position Screw |
| 1036c | 5530 | Frame Rotary Shaft Crank Set Screw |
| 42026 | 5576 | Frame Rotary Shaft Flanged Bush- ing (back) with 54967 |
| 54967 | 5596 | Frame Rotary Shaft Flanged Bush- ing (back) Oil Pad (braided cotton) |
| 1036c | 5530 | Frame Rotary Shaft Flanged Bush- ing (back) Set Screw |
| 42367 | 5596 | Frame Rotary Shaft Front Bearing Oil Pad (braided cotton) |
| 42027 | 5593 | Frame Side Cover (left) with 132701 |
| 132701 | 20788 | " " " " Handle ... |
| 330d | 5562 | " " " " Screw |
| 42028 | 5526 | " " " (right, hinged) .. |
| 42101 | 5543 | " " " Lock Spring |
| 330d | 5562 | " " " " Screw |
| 42029 | 5576 | " Top Cover |
| 132650 | 20788 | " " " Extension |
| 42102 | 5543 | " " " " Holder |
| 283j | 5543 | " " " " " |
| | | Thumb Screw |

| NO. | PLATE | NAME |
|---|-------|---|
| 2749 | 5543 | Frame Top Cover Extension Holder Thumb Screw Washer |
| 176D | 5543 | Frame Top Cover Extension Screw.. |
| 742F | 5562 | " " " Screw |
| 42111 | 5542 | Knife (movable) for light work |
| 42213 | 5560 | " " " heavy work .. |
| Note: Two No. 42213 are sent with this Machine. | | |
| 42112 | 5542 | Knife (movable) Gib for 42113 |
| 42214 | 5560 | " " " " 42215 |
| 42035 | 5542 | " " Holder |
| 42113 | — | " " " 42035 with 133F, 42037, 42040, 42112 and two 404D, for 42111 |
| 42215 | — | Knife (movable) Holder 42035 with 133F, 42040, 42214, 42216 and two 404D, for 42213 |
| 42037 | 5542 | Knife (movable) Holder Cap for 42113 |
| 42216 | 5560 | Knife (movable) Holder Cap for 42215 |
| 404D | 5542 | Knife (movable) Holder Cap Screw |
| 42038 | 5542 | " " " Guide with 336F |
| 42039 | 5542 | Knife (movable) Holder Guide Plate |
| 621D | 5542 | " " " " " " Screw |
| 336F | 5542 | Knife (movable) Holder Guide Set Screw |
| 133F | 5542 | Knife (movable) Holder Screw |
| 42040 | 5542 | " " " " " " Exten- sion Pin |
| 42041 | 5542 | Knife (movable) Holder Spring |
| 42042 | 5542 | " " Lever |
| 42217 | 5560 | " " " Connection with 42218 and two 175E |
| 42218 | — | Knife (movable) Lever Connection Cap |
| 175E | 5542 | Knife (movable) Lever Connection Cap Screw |
| 1373c | 5529 | Knife (movable) Lever Connection Hinge Screw |
| 1520c | 5529 | Knife (movable) Lever Connection Hinge Screw Nut |
| 42045 | 5542 | Knife (movable) Lever Hinge Stud |
| 1229c | 5542 | " " " " " " Set Screw |

| NO. | PLATE | NAME |
|---|-------|---|
| 42046 | 5543 | Knife (stationary) with 42049 |
| Note: Two No. 42046 are sent with this Machine. | | |
| 42048 | 5543 | Knife (stationary) Clamping Stud |
| 1534D | 5543 | " " " " Thumb Nut |
| 132766 | 20788 | Knife (stationary) Holder |
| 1376c | 5543 | " " " Regulating Thumb Screw |
| 1101c | 5543 | Knife (stationary) Holder Screw ... |
| 440F | 5543 | " " " Stop Screw |
| 1547J | 5543 | " " " " " " Nut |
| 42049 | 5543 | Knife (stationary) Stud |
| 42114 | 5554 | Looper (left hand) |
| 42051 | 5553 | " " " Lever with 209H |
| 42052 | 5553 | " " " " Connecting Link |
| 50562c | 7396 | Looper (left hand) Lever Connecting Link Hinge Screw |
| 1520c | 5529 | Looper (left hand) Lever Connecting Link Hinge Screw Nut |
| 42053 | 5553 | Looper (left hand) Lever Hinge Stud |
| 1036c | 5530 | " " " " " " " Set Screw |
| 209H | 5553 | Looper (left hand) Set Screw |
| 42166 | 5553 | " (right hand) |
| 42073 | 5553 | " " " and Spreader Lever with 1259c |
| 42074 | 5553 | Looper (right hand) and Spreader Lever Ball Stud |
| 1259c | 5530 | Looper (right hand) and Spreader Lever Ball Stud Set Screw |
| 42075 | 5553 | Looper (right hand) and Spreader Lever Connection with four 896E.. |
| 896E | 7396 | Looper (right hand) and Spreader Lever Connection Cap (lower) Screw |
| 896E | 7396 | Looper (right hand) and Spreader Lever Connection Cap (upper) Screw |
| 42077 | 5554 | Looper (right hand) and Spreader Lever Connection Guide |
| 171F | 5554 | Looper (right hand) and Spreader Lever Connection Guide Screw .. |
| 42106 | 5554 | Looper (right hand) and Spreader Lever Connection Oil Tube and Bracket with 29599 |

| NO. | PLATE | NAME |
|-------|-------|---|
| 29599 | 5554 | Looper (right hand) and Spreader Lever Connection Oil Tube Packing (felt) |
| 42078 | 5554 | Looper (right hand) and Spreader Lever Hinge Pin |
| 42079 | 5530 | Looper (right hand) and Spreader Lever Hinge Pin Bushing |
| 1259c | 5530 | Looper (right hand) and Spreader Lever Hinge Pin Bushing Set Screw |
| 197D | 5554 | Looper (right hand) Screw |
| 42054 | 5544 | Needle Bar |
| 42253 | 5544 | " " Bushing |
| 462c | 5529 | " " " Set Screw |
| 42061 | 5544 | " " Connecting Bracket with 187D and 223F |
| 187D | 5544 | Needle Bar Connecting Bracket Clamping Screw |
| 42055 | 5544 | Needle Bar Connecting Link |
| 40247 | 5544 | " " " " Hinge Pin |
| 223F | 5544 | Needle Bar Connecting Link Hinge Pin Set Screw |
| 904c | 5544 | Needle Bar Connecting Link Hinge Pin Set Screw for 42104 |
| 42057 | 5544 | Needle Bar Connecting Rod with four 896E |
| 896E | 7396 | Needle Bar Connecting Rod Cap (lower) Screw |
| 896E | 7396 | Needle Bar Connecting Rod Cap (upper) Screw |
| 42077 | 5554 | Needle Bar Connecting Rod Guide |
| 171F | 5554 | " " " " " " Screw |
| 42103 | 5544 | Needle Bar Crank (back) with 1258c and two 1259c |
| 42074 | 5553 | Needle Bar Crank (back) Ball Stud |
| 1259c | 5530 | " " " " " " Set Screw |
| 1259c | 5530 | Needle Bar Crank (back) Position Screw |
| 1258c | 5544 | Needle Bar Crank (back) Set Screw |
| 42104 | 5544 | " " " (front) with 904c, 1258c and 1259c |
| 1259c | 5530 | Needle Bar Crank (front) Position Screw |

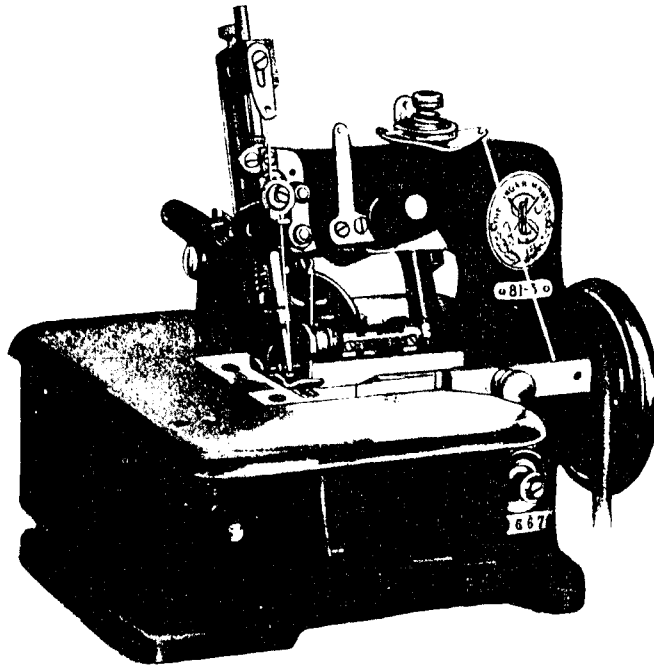
| NO. | PLATE | NAME |
|-------|-------|---|
| 1258c | 5544 | Needle Bar Crank (front) Set Screw |
| 42105 | 5544 | " " " Shaft |
| 42487 | 20788 | " " " " Bushing .. |
| 624c | 20800 | " " " " " Set Screw |
| 42115 | 5544 | Needle Bar Thread Retainer Bracket |
| 228D | 5544 | " " " " " Screw |
| 42483 | 20788 | Needle Bar Thread Retainer Disc .. |
| 93c | 5544 | " " " " Screw |
| 10107 | 5544 | " " " " Spring. |
| 1728c | 20800 | " Clamping Nut |
| 42066 | 5544 | " Guard |
| 171F | 5544 | " " Screw |
| 42138 | ----- | Presser Foot Body |
| 42172 | 5592 | " " Chaining-off Finger, for $\frac{1}{8}$ in. bight |
| 42117 | 5592 | Presser Foot Chaining-off Finger, for $\frac{1}{4}$ in. bight |
| 42118 | 5592 | Presser Foot Chaining-off Finger, for $\frac{3}{8}$ in. bight |
| 42119 | 5592 | Presser Foot Chaining-off Finger, for $\frac{1}{2}$ in. bight |
| 233D | 5530 | Presser Foot Chaining-off Finger Screw |
| 42120 | 5592 | Presser Foot Extension |
| 197F | 5554 | " " " Screw |
| 42116 | 5592 | Presser Foot complete, for sewing in sleeves, for 42109, Nos. 197F, 233D, 42118, 42120 and 42138 |
| 42168 | 5592 | Presser Foot Chaining-off Finger ... |
| 233D | 5530 | " " " " Screw |
| 42120 | 5592 | " " Extension |
| 197F | 5554 | " " " Screw |
| 62527 | 20800 | " " Hinge Pin |
| 42167 | ----- | " " Plate |
| 42169 | ----- | " " Shank |
| 42170 | 5592 | Presser Foot (hinged) complete for 42165, Nos. 197F, 233D, 42120, 42167 to 42169 and 62527 |
| 1324c | 5545 | Presser Foot Screw |
| 39541 | 5545 | " " " Washer |
| 42069 | 5545 | " Lever |
| 42045 | 5542 | " " Hinge Stud |
| 1120c | 5545 | " " " " Set Screw |
| 42070 | 5545 | " " Lifter |
| 85D | 5545 | " " " Hinge Screw . |
| 1377c | 5545 | " " Screw Stud (eccentric) |

| NO. | PLATE | NAME |
|--------|-------|---|
| 1547J | 5543 | Presser Lever Screw Stud Nut |
| 42071 | 5545 | " " Spring |
| 1378D | 5545 | Pressure Regulating Thumb Screw |
| 132631 | 20788 | Spreader |
| 197D | 5554 | " Screw |
| 2102 | 5556 | Tension (looper, left hand) Disc ... |
| 1560c | 5556 | " " " " Regulat- ing Thumb Nut |
| 828c | 5556 | Tension (looper, left hand) Screw Stud |
| 42121 | 5556 | Tension (looper, left hand) Spring.. |
| 2102 | 5556 | " (looper, right hand) Disc .. |
| 1560c | 5556 | " " " " Regulat- ing Thumb Nut |
| 828c | 5556 | Tension (looper, right hand) Screw Stud |
| 10148 | 5556 | Tension (looper, right hand) Spring |
| 17547 | 5556 | " " " " Thread Guide |
| 2102 | 5556 | Tension (needle thread) Disc |
| 1560c | 5556 | " " " " Regulating Thumb Nut |
| 916c | 5556 | Tension (needle thread) Screw Stud |
| 8238 | 5556 | " " " Spring |
| 2103 | 5556 | " " " " used in sewing very heavy pockets in trousers |
| 42082 | 5556 | Tension (needle thread) Thread Guide |
| 42242 | 7396 | Thread (looper, left hand) Eyelet |
| 233D | 5530 | " " " " " " Screw |
| 42122 | 5554 | Thread (looper, left hand) Nipper Spring (lower) |
| 42123 | 5554 | Thread (looper, left hand) Nipper Spring (upper) |
| 176F | 5543 | Thread (looper, left hand) Nipper Spring Screw |
| 42124 | 5597 | Thread (looper, left hand) Pull-off |
| 42125 | 5597 | " " " " " " Eyelet |
| 233D | 5530 | Thread (looper, left hand) Pull-off Screw |
| 42084 | 5556 | Thread (looper, left hand) Tube ... |
| 462c | 5529 | " " " " " " Set Screw |

| NO. | PLATE | NAME |
|--------|-------|--|
| 42126 | 5597 | Thread (looper, right hand) Pull-off |
| 42093 | 5556 | " " " " Staple |
| 190D | 5556 | " " " " " Screw |
| 42127 | 5556 | Thread (looper, right hand) Take-up |
| 197F | 5554 | " " " " " Screw |
| 42096 | 5556 | Thread (needle) Eyelet |
| 217J | 5556 | " " " Screw |
| 42128 | 5597 | " " Take-up |
| 197F | 5554 | " " " Screw ... |
| 42129 | 5531 | Throat Plate, for $\frac{1}{4}$ in., $\frac{3}{8}$ in. and $\frac{1}{2}$ in. bight, for 42109 |
| 42134 | 5531 | Throat Plate, for $\frac{1}{8}$ in. bight, for 42109 |
| 42171 | 5592 | Throat Plate for 42165 |
| 742F | 5562 | " " Screw |
| *15404 | — | Trade Mark |
| 15405 | — | " " Rivet |

LIST OF PARTS COMPLETE

FOR



MACHINE No. 81-5

FOR TRIMMING AND OVEREDGING FABRICS UP TO $\frac{1}{8}$ IN. THICK; ALSO FOR CLOSING POCKETS AND STITCHING OVER HEAVY SEAMS IN TROUSERS. BIGHT ADJUSTABLE FROM $\frac{3}{32}$ TO $\frac{7}{32}$ IN. THREE-THREAD STITCH. FOOT LIFTER.

| NO. | PLATE | NAME |
|--------|-------|--|
| *42485 | — | Arm with 15404 and two each 462c, 624c, 15405, 42253 and 42487 |
| 4389 | 5543 | Arm Dowel Pin |
| 949E | 5562 | " Screw |
| 42001 | 5576 | Balance Wheel, 2 $\frac{3}{8}$ in. pulley, with 424c and 1354c |

| NO. | PLATE | NAME |
|-------|-------|---|
| 1354c | 5562 | Balance Wheel Position Screw |
| 424c | 5562 | " " Set Screw |
| 42002 | 5526 | Cloth Plate |
| 42107 | — | Cloth Plate complete, Nos. 42002, 42003, 42005, 42108, two 236c and five 229E |
| 42003 | 5526 | Cloth Plate Extension (lower) |
| 229E | 5562 | " " " " Screw |
| 42108 | 5526 | " " " " (upper) |
| 229E | 5562 | " " " " " Screw |
| 1437D | 5562 | " " Hinge Screw |
| 1655E | 5562 | " " " " Nut |
| 42005 | 5526 | " " Lock Spring |
| 236c | 5562 | " " " " Screw |
| 42006 | 5529 | Feed Bar with 1253c |
| 42007 | 5529 | " " Hinge Pin |
| 1253c | 5529 | " " " " Set Screw |
| 42008 | 5529 | " Connecting Rod with two 1957E |
| 1057E | 5529 | " " " " Cap Screw |
| 1373c | 5529 | " " " " Hinge Screw |
| 1520c | 5529 | " " " " " Nut |
| 42207 | 5594 | " Dog, 26 teeth (16 teeth to the inch) for 42228 |
| 190D | 5556 | Feed Dog Screw |
| 42011 | 5529 | " Eccentric with two 453c |
| 42094 | 5526 | " " Cover |
| 207F | 5529 | " " " Screw |
| 453c | 5529 | " " Set Screw |
| 42208 | 5596 | " Lifting Eccentric with two 462c |
| 42013 | 5529 | " " " " Connection |
| 462c | 5529 | " " " " Set Screw |
| 1374c | 5530 | " Regulating Screw Stud |
| 1680c | 5530 | " " " " Nut |
| 42290 | 5530 | " " " " Washer |
| 42014 | 5530 | " Regulator with 233c and two 1259c |
| 42015 | 5529 | Feed Regulator Connection with 1012E |
| 1012E | 5529 | Feed Regulator Connection Adjusting Screw |
| 1373c | 5529 | Feed Regulator Connection Hinge Screw |
| 1520c | 5529 | Feed Regulator Connection Hinge Screw Nut |

| NO. | PLATE | NAME |
|--------|-------|---|
| 42016 | 5530 | Feed Regulator Hinge Stud |
| 42017 | 5529 | " " Indicator |
| 42018 | 5530 | " " " Plate |
| 337D | 5530 | " " " " Screw |
| 207F | 5529 | " " " " Screw ... |
| 1259C | 5530 | " " Set Screw |
| 233J | 5530 | " " Stop Screw |
| 42019 | 5530 | " Rock Shaft |
| 42020 | --- | Feed Rock Shaft complete, Nos. 42019 and 42021 |
| 42021 | 5530 | Feed Rock Shaft Crank with 157E.. |
| 157E | 5530 | " " " " Clamping Screw |
| 42098 | 5530 | Feed Rock Shaft Hinge Pin |
| 42079 | 5530 | " " " " " Bushing |
| 1036C | 5530 | " " " " " " |
| | | Set Screw |
| *42209 | --- | Frame |
| 42266 | 5593 | " Rotary Shaft |
| 42024 | 5576 | " " " Bushing (front) |
| 1036C | 5530 | " " " " " " |
| | | Set Screw |
| 42211 | 5596 | Frame Rotary Shaft Crank with 1036C and 1375C |
| 1375C | 5553 | Frame Rotary Shaft Crank Position Screw |
| 1036C | 5530 | Frame Rotary Shaft Crank Set Screw |
| 42026 | 5576 | Frame Rotary Shaft Flanged Bush- ing (back) with 54967 |
| 54967 | 5596 | Frame Rotary Shaft Flanged Bush- ing (back) Oil Pad (braided cotton) |
| 1036C | 5530 | Frame Rotary Shaft Flanged Bush- ing (back) Set Screw |
| 42367 | 5596 | Frame Rotary Shaft Front Bearing Oil Pad (braided cotton) |
| 42027 | 5593 | Frame Side Cover (left) with 132701 |
| 132701 | 20788 | " " " " Handle ... |
| 330D | 5562 | " " " " Screw |
| 42028 | 5526 | " " " (right, hinged) .. |
| 42101 | 5543 | " " " " Lock Spring |
| 330D | 5562 | " " " " Screw |
| 42029 | 5576 | " Top Cover |
| 42212 | 5596 | " " " Extension |
| 42102 | 5543 | " " " " Holder |
| 283J | 5543 | " " " " " |
| | | Thumb Screw |

| NO. | PLATE | NAME |
|---|-------|---|
| 2749 | 5543 | Frame Top Cover Extension Holder Thumb Screw Washer |
| 176D | 5543 | Frame Top Cover Extension Screw |
| 742F | 5562 | " " " Screw |
| 42213 | 5560 | Knife (movable) |
| Note: Two No. 42213 are sent with this Machine. | | |
| 42214 | 5560 | Knife (movable) Gib |
| 42035 | 5542 | " " " Holder |
| 42215 | --- | " " " " 42035 with 133E, 42040, 42214, 42216 and two 404D |
| 42216 | 5560 | Knife (movable) Holder Cap |
| 404D | 5542 | " " " " Screw |
| 42038 | 5542 | " " " " Guide with 336F |
| 42039 | 5542 | Knife (movable) Holder Guide Plate |
| 621D | 5542 | " " " " " |
| | | Screw |
| 336F | 5542 | Knife (movable) Holder Guide Set Screw |
| 133F | 5542 | Knife (movable) Holder Screw |
| 42040 | 5542 | " " " " " Exten- sion Pin |
| 42041 | 5542 | Knife (movable) Holder Spring |
| 42042 | 5542 | " " Lever |
| 42217 | 5560 | " " " Connection with 42218 and two 175E |
| 42218 | --- | Knife (movable) Lever Connection Cap |
| 175E | 5542 | Knife (movable) Lever Connection Cap Screw |
| 1373C | 5529 | Knife (movable) Lever Connection Hinge Screw |
| 1520C | 5529 | Knife (movable) Lever Connection Hinge Screw Nut |
| 42045 | 5542 | Knife (movable) Lever Hinge Stud |
| 1229C | 5542 | " " " " " " |
| | | Set Screw |
| 42046 | 5543 | Knife (stationary) with 42049 |
| Note: Two No. 42046 are sent with this Machine. | | |
| 42048 | 5543 | Knife (stationary) Clamping Stud |
| 1534D | 5543 | " " " " " |
| | | Thumb Nut |
| 132766 | 20788 | Knife (stationary) Holder |
| 1376C | 5543 | " " " " Regulating Thumb Screw |

| NO. | PLATE | NAME |
|--------|-------|---|
| 1101c | 5543 | Knife (stationary) Holder Screw ... |
| 440f | 5543 | " " " Stop Screw |
| 1547J | 5543 | " " " " " " |
| | | Nut |
| 42049 | 5543 | Knife (stationary) Stud |
| 42219 | 5560 | Looper (left hand) |
| 42051 | 5553 | " " " Lever with 209H |
| 42052 | 5553 | " " " " Connecting Link |
| 50562c | 7396 | Looper (left hand) Lever Connecting Link Hinge Screw |
| 1520c | 5529 | Looper (left hand) Lever Connecting Link Hinge Screw Nut |
| 42053 | 5553 | Looper (left hand) Lever Hinge Stud |
| 1036c | 5530 | " " " " " " Set Screw |
| 209H | 5553 | Looper (left hand) Set Screw |
| 42220 | 5560 | " (right hand) |
| 42073 | 5553 | " " " and Spreader Lever with 1259c |
| 42221 | 5560 | Looper (right hand) and Spreader Lever Ball Stud |
| 1259c | 5520 | Looper (right hand) and Spreader Lever Ball Stud Set Screw |
| 42075 | 5553 | Looper (right hand) and Spreader Lever Connection with four 896E.. |
| 896E | 7396 | Looper (right hand) and Spreader Lever Connection Cap (lower) Screw |
| 896E | 7396 | Looper (right hand) and Spreader Lever Connection Cap (upper) Screw |
| 42077 | 5554 | Looper (right hand) and Spreader Lever Connection Guide |
| 171F | 5554 | Looper (right hand) and Spreader Lever Connection Guide Screw .. |
| 42106 | 5554 | Looper (right hand) and Spreader Lever Connection Oil Tube and Bracket with 29599 |
| 29599 | 5554 | Looper (right hand) and Spreader Lever Connection Oil Tube Packing (felt) |
| 42078 | 5554 | Looper (right hand) and Spreader Lever Hinge Pin |
| 42079 | 5530 | Looper (right hand) and Spreader Lever Hinge Pin Bushing |

| NO. | PLATE | NAME |
|-------|-------|--|
| 1259c | 5530 | Looper (right hand) and Spreader Lever Hinge Pin Bushing Set Screw |
| 197D | 5554 | Looper (right hand) Screw |
| 38534 | 5560 | Needle Bar (hollow) |
| 42253 | 5544 | " " Bushing |
| 462c | 5529 | " " " Set Screw |
| 42291 | 5596 | " " Connecting Bracket with 223F and 1057D |
| 1057D | 5529 | Needle Bar Connecting Bracket Clamping Screw |
| 42055 | 5544 | Needle Bar Connecting Link |
| 40247 | 5544 | " " " " Hinge Pin |
| 223F | 5544 | Needle Bar Connecting Link Hinge Pin Set Screw for 42291 |
| 904c | 5544 | Needle Bar Connecting Link Hinge Pin Set Screw for 42104 |
| 42057 | 5544 | Needle Bar Connecting Rod with four 896E |
| 896E | 7396 | Needle Bar Connecting Rod Cap (lower) Screw |
| 896E | 7396 | Needle Bar Connecting Rod Cap (upper) Screw |
| 42077 | 5554 | Needle Bar Connecting Rod Guide |
| 171F | 5554 | " " " " " " Screw |
| 42103 | 5544 | Needle Bar Crank (back) with 1258c and two 1259c |
| 42074 | 5553 | Needle Bar Crank (back) Ball Stud |
| 1259c | 5530 | " " " " " " Set Screw |
| 1259c | 5530 | Needle Bar Crank (back) Position Screw |
| 1258c | 5544 | Needle Bar Crank (back) Set Screw |
| 42104 | 5544 | " " " (front) with 904c, 1258c and 1259c |
| 1259c | 5530 | Needle Bar Crank (front) Position Screw |
| 1258c | 5544 | Needle Bar Crank (front) Set Screw |
| 42105 | 5544 | " " " Shaft |
| 42487 | 20788 | " " " " Bushing .. |
| 624c | 20800 | " " " " " Set Screw |
| 42115 | 5544 | Needle Bar Thread Retainer Bracket |
| 228D | 5544 | " " " " " Screw |

| NO. | PLATE | NAME |
|-------|-------|--|
| 42483 | 20788 | Needle Bar Thread Retainer Disc .. |
| 93c | 5544 | " " " " Screw. |
| 10107 | 5544 | " " " " Spring. |
| 1728c | 20800 | " Clamping Nut |
| 42066 | 5544 | " Guard |
| 171F | 5554 | *" " Screw |
| 42223 | — | Presser Foot Body |
| 42168 | 5592 | " " Chaining-off Finger |
| 233D | 5530 | " " " " |
| | | Screw |
| 42224 | 5594 | Presser Foot Extension |
| 197F | 5554 | " " " Screw |
| 62527 | 20800 | " " Hinge Pin |
| 42225 | — | " " Plate |
| 42226 | 5594 | Presser Foot (hinged) complete, Nos. 197F, 233D, 42168, 42223 to 42225 and 62527 |
| 1324c | 5545 | Presser Foot Screw |
| 39541 | 5545 | " " " Washer |
| 42227 | 5593 | " Lever |
| 42045 | 5542 | " " Hinge Stud |
| 1120c | 5545 | " " " " Set Screw |
| 42070 | 5545 | " " Lifter |
| 85D | 5545 | " " " Hinge Screw .. |
| 1377c | 5545 | " " Screw Stud (eccentric) |
| 1547j | 5543 | " " " " Nut |
| 42071 | 5545 | " " Spring |
| 1378D | 5545 | Pressure Regulating Thumb Screw. |
| 42250 | 5560 | Spreader |
| 197D | 5554 | " Screw |
| 2102 | 5556 | Tension (looper, left hand) Disc ... |
| 1560c | 5556 | " " " " Regulat- ing Thumb Nut |
| 828c | 5556 | Tension (looper, left hand) Screw Stud |
| 42121 | 5556 | Tension (looper, left hand) Spring.. |
| 2102 | 5556 | " (looper, right hand) Disc .. |
| 1560c | 5556 | " " " " Regulat- ing Thumb Nut |
| 828c | 5556 | Tension (looper, right hand) Screw Stud |
| 10148 | 5556 | Tension (looper, right hand) Spring |
| 17547 | 5556 | " " " " Thread Guide |
| 2102 | 5556 | Tension (needle thread) Disc |
| 1560c | 5556 | " " " " Regulating Thumb Nut |

| NO. | PLATE | NAME |
|--------|-------|---|
| 916c | 5556 | Tension (needle thread) Screw Stud |
| 2103 | 5556 | " " " " Spring |
| 42082 | 5556 | " " " " Thread Guide |
| 42242 | 7396 | Thread (looper, left hand) Eyelet |
| 233D | 5530 | " " " " " " |
| | | Screw |
| 42122 | 5554 | Thread (looper, left hand) Nipper Spring (lower) |
| 42123 | 5554 | Thread (looper, left hand) Nipper Spring (upper) |
| 176F | 5543 | Thread (looper, left hand) Nipper Spring Screw |
| 42124 | 5597 | Thread (looper, left hand) Pull-off |
| 42125 | 5597 | " " " " " " |
| | | Eyelet |
| 233D | 5530 | Thread (looper, left hand) Pull-off Screw |
| 42084 | 5556 | Thread (looper, left hand) Tube ... |
| 462c | 5529 | " " " " " " Set Screw |
| 42126 | 5597 | Thread (looper, right hand) Pull-off |
| 42093 | 5556 | " " " " " Staple |
| 190D | 5556 | " " " " " " |
| | | Screw |
| 42127 | 5556 | Thread (looper, right hand) Take-up |
| 197F | 5554 | " " " " " " |
| | | Screw |
| 42096 | 5556 | Thread (needle) Eyelet |
| 217J | 5556 | " " " " " Screw |
| 42128 | 5597 | " " " " " Take-up |
| 197F | 5554 | " " " " " Screw |
| 42228 | 5594 | Throat Plate for 42207 |
| 742F | 5562 | " " " " " Screw |
| *15404 | — | Trade Mark |
| 15405 | — | " " " " Rivet |

SINGER Needles should be used
in SINGER Machines.
These Needles and their Containers
are marked with the
Company's Trade Mark "SIMANCO."** 1

Needles in Containers marked
"FOR SINGER MACHINES"
are NOT **SINGER** made needles. 2

| NO. | PLATE | NAME |
|--------|-------|---|
| 42016 | 5530 | Feed Regulator Hinge Stud |
| 1259c | 5530 | " " Set Screw |
| 37551 | 5596 | " " Stop |
| 233J | 5530 | " " " Screw |
| 42019 | 5530 | " Rock Shaft |
| 42020 | — | Feed Rock Shaft complete, Nos. 42019 and 42021 |
| 42021 | 5530 | Feed Rock Shaft Crank with 157E .. |
| 157E | 5530 | " " " " Clamping Screw |
| 42098 | 5530 | Feed Rock Shaft Hinge Pin |
| 42079 | 5530 | " " " " " Bushing |
| 1036c | 5530 | " " " " " " " Set Screw |
| *42022 | — | Frame |
| 42023 | 5576 | " Rotary Shaft |
| 42024 | 5576 | " " " Bushing (front) |
| 1036c | 5530 | " " " " " " Set Screw |
| 42025 | 5553 | Frame Rotary Shaft Crank with 1259c and 1375c |
| 1375c | 5553 | Frame Rotary Shaft Crank Position Screw |
| 1259c | 5530 | Frame Rotary Shaft Crank Set Screw |
| 42026 | 5576 | Frame Rotary Shaft Flanged Bush- ing (back) with 54967 |
| 54967 | 5596 | Frame Rotary Shaft Flanged Bush- ing (back) Oil Pad (braided cotton) |
| 1036c | 5530 | Frame Rotary Shaft Flanged Bush- ing (back) Set Screw |
| 42367 | 5596 | Frame Rotary Shaft Front Bearing Oil Pad (braided cotton) |
| 42193 | 5593 | Frame Side Cover (left) with 132701 |
| 132701 | 20788 | " " " " Handle ... |
| 330D | 5562 | " " " " Screw |
| 42028 | 5526 | " " " (right, hinged) .. |
| 42192 | 5560 | " " " " Lock Spring |
| 330D | 5562 | " " " " " " Screw |
| 330D | 5562 | Frame Side Cover (right) Screw ... |
| 42029 | 5576 | " Top Cover |
| 742F | 5562 | " " " Screw |
| 38571 | 5595 | Guide with 230H and 38572 |
| 217F | 5556 | " Screw |
| 7071 | 5595 | " " Washer |
| 38572 | 5595 | " Smoothing Plate |
| 230H | 5595 | " " " Screw |

| NO. | PLATE | NAME |
|--------|-------|---|
| 42114 | 5554 | Looper (left hand) |
| 42051 | 5553 | " " " Lever with 209H .. |
| 42052 | 5553 | " " " " Connecting Link |
| 50562c | 7396 | Looper (left hand) Lever Connecting Link Hinge Screw |
| 1520c | 5529 | Looper (left hand) Lever Connecting Link Hinge Screw Nut |
| 42053 | 5553 | Looper (left hand) Lever Hinge Stud |
| 1036c | 5530 | " " " " " " Set Screw |
| 209H | 5553 | Looper (left hand) Set Screw |
| 42166 | 5553 | " (right hand) |
| 42073 | 5553 | " " " and Spreader Lever with 1259c |
| 42074 | 5553 | Looper (right hand) and Spreader Lever Ball Stud |
| 1259c | 5530 | Looper (right hand) and Spreader Lever Ball Stud Set Screw |
| 42075 | 5553 | Looper (right hand) and Spreader Lever Connection with four 896E... |
| 896E | 7396 | Looper (right hand) and Spreader Lever Connection Cap (lower) Screw |
| 896E | 7396 | Looper (right hand) and Spreader Lever Connection Cap (upper) Screw |
| 42077 | 5554 | Looper (right hand) and Spreader Lever Connection Guide |
| 171F | 5554 | Looper (right hand) and Spreader Lever Connection Guide Screw .. |
| 42106 | 5554 | Looper (right hand) and Spreader Lever Connection Oil Tube and Bracket with 29599 |
| 29599 | 5554 | Looper (right hand) and Spreader Lever Connection Oil Tube Pack- ing (felt) |
| 42078 | 5554 | Looper (right hand) and Spreader Lever Hinge Pin |
| 42079 | 5530 | Looper (right hand) and Spreader Lever Hinge Pin Bushing |
| 1259c | 5530 | Looper (right hand) and Spreader Lever Hinge Pin Bushing Set Screw |
| 197D | 5554 | Looper (right hand) Screw |

| NO. | PLATE | NAME |
|-------|-------|---|
| 42054 | 5544 | Needle Bar |
| 42253 | 6544 | " " Bushing |
| 462c | 5529 | " " Set Screw |
| 42061 | 5544 | " " Connecting Bracket with 187D and 223F |
| 187D | 5544 | Needle Bar Connecting Bracket Clamping Screw |
| 42055 | 5544 | Needle Bar Connecting Link |
| 40247 | 5544 | " " " " Hinge Pin |
| 223F | 5544 | Needle Bar Connecting Link Hinge Pin Set Screw for 42061 |
| 904c | 5544 | Needle Bar Connecting Link Hinge Pin Set Screw for 42104 |
| 42057 | 5544 | Needle Bar Connecting Rod with four 896E |
| 896E | 7396 | Needle Bar Connecting Rod Cap (lower) Screw |
| 896E | 7396 | Needle Bar Connecting Rod Cap (upper) Screw |
| 42077 | 5554 | Needle Bar Connecting Rod Guide |
| 171F | 5554 | " " " " " " Screw |
| 42103 | 5544 | Needle Bar Crank (back) with 1258c and two 1259c |
| 42074 | 5553 | Needle Bar Crank (back) Ball Stud |
| 1259c | 5530 | " " " " " " Set Screw |
| 1259c | 5530 | Needle Bar Crank (back) Position Screw |
| 1258c | 5544 | Needle Bar Crank (back) Set Screw |
| 42104 | 5544 | " " " (front) with 904c, 1258c and 1259c |
| 1259c | 5530 | Needle Bar Crank (front) Position Screw |
| 1258c | 5544 | Needle Bar Crank (front) Set Screw |
| 42105 | 5544 | " " " Shaft |
| 42487 | 20788 | " " " " Bushing .. |
| 624c | 20800 | " " " " " " Set Screw |
| 42115 | 5544 | Needle Bar Thread Retainer Bracket |
| 228D | 5544 | " " " " " " Screw |

| NO. | PLATE | NAME |
|---------|-------|--|
| 42483 | 20788 | Needle Bar Thread Retainer Disc .. |
| 93c | 5544 | " " " " Screw .. |
| 10107 | 5544 | " " " " Spring .. |
| 1728c | 20800 | " Clamping Nut |
| 42066 | 5544 | " Guard |
| 42195 | 5596 | " " Holder |
| 1101c | 5543 | " " " Screw |
| 171F | 5554 | " " Screw |
| 42268 | 5549 | Presser Foot Chaining-off Finger |
| 233D | 5530 | " " " " Screw |
| 42269 | 5549 | Presser Foot Extension |
| 197F | 5554 | " " " Screw |
| 42461 | 7396 | " " Hinge Pin |
| 42270 | ----- | " " Plate |
| 42169 | ----- | " " Shank |
| 42271 | 5549 | Presser Foot (hinged) complete, Nos. 197F, 233D, 42169, 42268 to 42270 and 42461 |
| 1324c | 5545 | Presser Foot Screw |
| 39541 | 5545 | " " " Washer |
| 42069 | 5545 | " Lever |
| 42045 | 5542 | " " Hinge Stud |
| 1120c | 5545 | " " " Set Screw |
| 42070 | 5545 | " " Lifter |
| 85D | 5545 | " " " Hinge Screw .. |
| 1377c | 5545 | " " Screw Stud (eccentric) |
| 1547J | 5543 | " " " " Nut |
| 42071 | 5545 | " " Spring |
| 1378D | 5545 | Pressure Regulating Thumb Screw. |
| 132631* | 20788 | Spreader |
| 197D | 5554 | " Screw |
| 2102 | 5556 | Tension (looper, left hand) Disc .. |
| 1560c | 5556 | " " " " Regulat- ing Thumb Nut |
| 828c | 5556 | Tension (looper, left hand) Screw Stud |
| 42121 | 5556 | Tension (looper, left hand) Spring .. |
| 2102 | 5556 | " " right hand) Disc .. |
| 1560c | 5556 | " " " " Regulat- ing Thumb Nut |
| 828c | 5556 | Tension (looper, right hand) Screw Stud |
| 10148 | 5556 | Tension (looper, right hand) Spring |
| 17547 | 5556 | " " " " Thread Guide |

| NO. | PLATE | NAME |
|--------|-------|---------------------------------------|
| 2102 | 5556 | Tension (needle thread) Disc |
| 1560C | 5556 | " " " " Regulating Thumb Nut |
| 916C | 5556 | Tension (needle thread) Screw Stud |
| 10148 | 5556 | " " " " Spring |
| 42082 | 5556 | " " " " Thread Guide |
| 42242 | 7396 | Thread (looper, left hand) Eyelet |
| 233D | 5530 | " " " " " " " |
| | | Screw |
| 42084 | 5556 | Thread (looper, left hand) Tube ... |
| 462C | 5529 | " " " " " " Set Screw |
| 42093 | 5556 | Thread (looper, right hand) Staple |
| 190D | 5556 | " " " " " " " |
| | | Screw |
| 42127 | 5556 | Thread (looper, right hand) Take-up |
| 197F | 5554 | " " " " " " " |
| | | Screw |
| 42096 | 5556 | Thread (needle) Eyelet |
| 217J | 5556 | " " " " Screw |
| 42128 | 5597 | " " Take-up |
| 197F | 5554 | " " " " Screw |
| 42272 | 5595 | Throat Plate for 42267 |
| 742F | 5562 | " " Screw |
| *15404 | --- | Trade Mark |
| 15405 | --- | " " Rivet |

ACCESSORIES

| NO. | PLATE | NAME |
|--------|-------|---|
| 1407E | 5563 | Machine Base Thumb Screw for 3 in. table |
| 1408E | 5563 | Machine Base Thumb Screw for 2 in. table |
| 14063 | 5586 | Machine Base Thumb Screw Spring |
| 9842 | 5586 | " " " " " " " Washer |
| 120344 | 5566 | Oiler (copper plated) with 120345.. |
| 120345 | 5566 | " Spout, 5 in. long |
| 120440 | 5566 | Screw Driver |
| 42090 | 5566 | Threading Wire |
| 120341 | 5566 | Tweezers (curved) |
| 68547 | 20788 | Wrench for 1324, 1374 and 1629 |
| 8908 | 5566 | " " 1520 and 1655 |
| 4822 | 5566 | " " 1547 |

BENCH STAND

| NO. | PLATE | NAME |
|-------|-------|---|
| 79582 | --- | Bench Stand with 27998, two each 28291, wood screws 1½ in. No. 14 and eight wood screws ¾ in. No. 5 |
| 28291 | 20800 | Cover Hinge |
| 27998 | 20800 | " Hook and Eye (brass) with wood screw ½ in. No. 5 |

MACHINE BASE

| NO. | PLATE | NAME |
|-------|-------|---|
| 42086 | 5564 | Machine Base with three wood screws 1½ in. No. 12 and four each 935E, 4718, 42088 and 66707 |
| 4718 | 5586 | Machine Base Cushion (felt) |
| 42088 | 5586 | " Cushion (felt) |
| 935E | 5586 | " " Screw |
| 66707 | 7396 | " " " " Washer ... |

FOOT LIFTER PARTS

| NO. | PLATE | NAME |
|------|-------|--|
| 6439 | --- | Chain, 36 in. to 45 in., with 56864 and 56865 |

Note: When ordering No. 6439, give
length required.

| | | |
|-------|------|--|
| 4879 | 5566 | Chain Connecting Link |
| 56864 | 5566 | " Hook (large) |
| 56865 | 7396 | " " (small) |
| 42130 | 5586 | Lifting Lever |
| 42131 | 5586 | " " Bracket |
| 1229C | 5542 | " " " " Screw |
| 1301D | 5586 | " " Hinge Screw |
| 42132 | 5586 | " " Spring |
| 1148F | 5586 | " " Stop Screw |
| 1547J | 5543 | " " " " Nut |
| 4881 | 5564 | Treadle |
| 4882 | 5566 | " Shaft |
| 4883 | 5566 | " Spring |
| 4884 | 5564 | " Stand |
| 4885 | 5564 | Treadle complete, Nos. 4879, 4881 to 4884 and two wood screws 1 in. No. 16 |
| 42133 | --- | Foot Lifter complete, Nos. 1301D, 4885, 6439, 42130 to 42132 and two each 1148F, 1229C and 1547J |

KNEE LIFTER PARTS

| NO. | PLATE | NAME |
|-------|-------|--|
| 42130 | 5586 | Lifting Lever |
| 42131 | 5586 | " " Bracket |
| 1229c | 5542 | " " " Screw |
| 42142 | 5564 | " " Connecting Rod |
| 1301D | 5586 | " " Hinge Screw |
| 42132 | 5586 | " " Spring |
| 1148E | 5586 | " " Stop Screw |
| 1547J | 5543 | " " " " Nut |
| 2763 | 5564 | Rock Shaft |
| 12242 | 5564 | " " Hanger with two wood screws 1 in. No. 10 |
| 2765 | 5564 | Rock Shaft Knee Arm |
| 2766 | 5564 | " " " " Hub with 356c |
| 356c | 5562 | " " " " " Set Screw |
| 2768 | ---- | Rock Shaft Knee Arm complete, Nos. 2765 to 2767 |
| 2767 | 5564 | Rock Shaft Knee Plate with 356c .. |
| 356c | 5562 | " " " " " Set Screw.. |
| 6337 | 5564 | " " Lifting Bracket with two 356c |
| 7125 | 5564 | Rock Shaft Lifting Bracket Hook .. |
| 356c | 5562 | " " " " " " Set Screw |
| 356c | 5562 | Rock Shaft Lifting Bracket Set Screw |
| 2770 | 5564 | Rock Shaft Stop Dog with 356c |
| 356c | 5562 | " " " " " Set Screw ... |
| 42143 | 5564 | Rock Shaft complete, Nos. 2763, 2768, 6337, 7125 and two each 2770 and 12242 |
| 42144 | ---- | Knee Lifter complete, Nos. 1301D, 42130 to 42132, 42142, 42143 and two each 1148E, 1229c and 1547J.. |

KNIFE GRINDER

| NO. | PLATE | NAME |
|-------|-------|-------------------------------|
| 41326 | 5568 | Emery Wheel |
| 1508c | 5569 | " " Clamping Nut |
| 41327 | 5568 | " " Shaft |
| 41328 | 5568 | " " " Pulley with 1036c |
| 1036c | 5530 | " " " " " Set Screw |
| 41513 | 5569 | " " Washer |

| NO. | PLATE | NAME |
|-------|-------|---|
| 41329 | 5567 | Frame with 1036c |
| 878D | 5569 | " Oil Hole Stop Screw |
| 41330 | 5568 | Knife Holder with two 14222 |
| 41331 | 5568 | " " Bracket with 157E ... |
| 157E | 5530 | " " " Clamping Screw |
| 42065 | 5569 | " " " Hinge Stud ... |
| 1036c | 5530 | " " " " " Set Screw |
| 717c | 5569 | Knife Holder Bracket Stop Screw .. |
| 1520E | 5529 | " " " " " Nut |
| 41333 | 5569 | " " Clamp |
| 41334 | 5569 | " " " Spring |
| 14222 | 5569 | " " " Steady Pin ... |
| 771D | 5569 | " " " Thumb Screw .. |
| 970D | 5569 | " " Regulating Thumb Screw |
| 313c | 5569 | Knife Holder Screw Center |
| 1519J | 5569 | " " " " " Nut |
| 41332 | 5569 | " " Spring |
| 41335 | ---- | Knife Grinder complete, Nos. 717c, 970D, 1508c, 1520E, 41326 to 41332, 42065, two each 313c, 771D, 878D, 1519J, 41333, 41334, 41513 and three wood screws 1¼ in. No. 12.. |

THREAD UNWINDER

FOR THREE SPOOLS

| NO. | PLATE | NAME |
|---------|-------|--|
| 225259 | 20801 | Spool Rest (for one spool) with 201018c |
| 225257 | 20801 | Spool Rest (for two spools) with 201018c |
| 150203 | 20801 | Spool Rest Cushion (felt) |
| 225388 | 20801 | " " Rod |
| 200383c | 7396 | " " " Set Screw |
| 201018c | 7396 | " " Set Screw |
| 202490 | 20801 | " Stand with 200383c |
| 225391 | 20801 | Thread Guide |
| 201696J | 7396 | " " Lock Nut |
| 225326 | 20788 | " " Position Cap |
| 225324 | 20801 | " " Rod with 208E and 225322 |
| 208E | 5562 | Thread Guide Rod Screw |
| 225322 | 20788 | " " " Washer |

| NO. | PLATE | NAME |
|--------|-------|--|
| 259143 | 20801 | Thread Unwinder complete, Nos. 201696J, 202490, 225257, 225259, 225324, 225326, 225388, three each 150203, 225391 and wood screws $\frac{3}{4}$ in. No. 12 |
| 27739 | 7234 | Thread Cone (wood) for large cones |
| 225390 | 7234 | " " Holder for inverted cones |

Note: Nos. 27739 and 225390 are used with,
but not included in 259143.

OBSOLETE PARTS

| NO. | PLATE | NAME |
|--------|-------|---|
| *42251 | — | Arm with 15404 and two each 462c, 15405 and 42253c for 81-2 and 81-13 Machines, obsolete, use 42484 ... |
| *42252 | — | Arm with 15404 and two each 462c, 15405 and 42253 for 81-5 Machine, obsolete, use 42485 |
| 42012 | 5529 | Feed Lifting Eccentric with two 462c for 81-2 and 81-13 Machines, obsolete, use 42208 |
| 42210 | 5593 | Frame Rotary Shaft for 81-5 Machine, obsolete, use 42266 |
| 19045 | 5543 | Frame Side Cover (left) Handle for 42027 and 42193, obsolete, use 132701 |
| 42459 | 20788 | Frame Top Cover Extension for 81-2 Machine, obsolete, use 132650 ... |
| 42043 | 5542 | Knife (movable) Lever Connection with two 175E for 81-2 Machine, obsolete, use 42217 |
| 42156 | 5545 | Knife (stationary) Holder for 81-2 and 81-5 Machines, obsolete, use 132766 |
| 42091 | 5597 | Looper (right hand) obsolete, use 42166 |
| 42222 | 5560 | Needle Bar Connecting Bracket with 187D and 223F for 81-5 Machine, obsolete, use 42291 |
| 10106 | 5544 | Needle Bar Thread Retainer Disc, obsolete, use 42483 |
| 1629c | — | Needle Clamping Nut, obsolete, use 1728c |
| 42135 | — | Presser Foot Body for 42136, obsolete, use 42138 |

| NO. | PLATE | NAME |
|-------|-------|--|
| 2532 | 5592 | Presser Foot Hinge Pin for 42170, obsolete |
| 26276 | 5594 | Presser Foot Hinge Pin for 42226, obsolete, use 62527 |
| 42136 | 5597 | Presser Foot complete for sewing in sleeves, for 42109, for 81-2 Machine, Nos. 197F, 233D, 42118, 42120 and 42135, obsolete, use 42116 ... |
| 42139 | — | Presser Foot Plate, obsolete |
| 42140 | — | " " Shank, obsolete |
| 42141 | 5597 | Presser Foot (hinged) complete, for sewing pockets in trousers, for 81-2 Machine, Nos. 233D, 42117, 42139, 42140 and 42461, obsolete .. |
| 42072 | 5554 | Spreader, obsolete, use 132631 |
| 42137 | 5554 | Tape Guide for sewing in sleeves, for 81-2 Machine, obsolete |
| 203F | 5554 | Tape Guide Screw, obsolete |
| 10148 | 5556 | Tension (looper, left hand) Spring, obsolete, use 42121 |
| 42092 | 5597 | Thread (looper, right hand) Eyelet, obsolete, use 42127 |
| 42083 | 5553 | Thread (looper, left hand) Eyelet, obsolete, use 42242 |
| 42089 | 5566 | Wrench for 1324, 1374 and 1629 (Accessories) obsolete, use 68547 |

| NO. | PLATE | NAME |
|------|-------|--|
| 223F | 5544 | Needle Bar Connecting Link Hinge Pin Set Screw for 42061, 42222 and 42291 |
| 228D | 5544 | Needle Bar Thread Retainer Bracket Screw |
| 229E | 5562 | Cloth Plate Extension (lower) Screw for 42107 |
| 229E | 5562 | Cloth Plate Extension (upper) Screw for 42107 |
| 230H | 5595 | Guide Smoothing Plate Screw for 38571 |
| 233J | 5530 | Feed Regulator Stop Screw for 42014 |
| 233D | 5530 | Presser Foot Chaining-off Finger Screw for 42116, 42136, 42141, 42170, 42226 and 42271 |
| 233D | 5530 | Thread (looper, left hand) Eyelet Screw |
| 233D | 5530 | Thread (looper, left hand) Pull-off Screw for 81-2 and 81-5 Machines |
| 236C | 5562 | Cloth Plate Lock Spring Screw for 42107 |
| 283D | 5543 | Feed Eccentric Cover Holder Thumb Screw for 81-13 Machine |
| 283J | 5543 | Frame Top Cover Extension Holder Thumb Screw for 81-2 and 81-5 Machines |
| 313C | 5569 | Knife Grinder Knife Holder Screw Center for 41335 |
| 330D | 5562 | Frame Side Cover (left) Screw |
| 330D | 5562 | " " " (right) Lock Spring Screw for 81-13 Machine |
| 330D | 5562 | Frame Side Cover (right) Screw ... |
| 336E | 5542 | Knife (movable) Holder Guide Set Screw for 42038 |
| 337D | 5530 | Feed Regulator Indicator Plate Screw for 81-2 and 81-5 Machines |
| 356C | 5562 | Rock Shaft Knee Arm Hub Set Screw for 2766 |
| 356C | 5562 | Rock Shaft Knee Plate Set Screw for 2767 |
| 356C | 5562 | Rock Shaft Lifting Bracket Hook Set Screw for 6337 |
| 356C | 5562 | Rock Shaft Lifting Bracket Set Screw for 6337 |
| 356C | 5562 | Rock Shaft Stop Dog Set Screw for 2770 |

SINGER Needles should be used
in SINGER Machines.
These Needles and their Containers
are marked with the
Company's Trade Mark "SIMANCO. 44" 1

Needles in Containers marked
"FOR SINGER MACHINES"
are NOT **SINGER** made needles. 2

NUMERICAL LIST OF PARTS

| NO. | PLATE | NAME |
|------|-------|---|
| 85D | 5545 | Presser Lever Lifter Hinge Screw... |
| 93C | 5544 | Needle Bar Thread Retainer Screw |
| 133F | 5542 | Knife (movable) Holder Screw for 42113 and 42215 |
| 157E | 5530 | Feed Rock Shaft Crank Clamping Screw for 42021 |
| 157E | 5530 | Knife Grinder Knife Holder Bracket Clamping Screw for 41331 |
| 171F | 5554 | Looper (right hand) and Spreader Lever Connection Guide Screw .. |
| 171F | 5554 | Needle Bar Connecting Rod Guide Screw |
| 171F | 5554 | Needle Guard Screw |
| 175E | 5542 | Knife (movable) Lever Connection Cap Screw for 42013 and 42217 .. |
| 176D | 5543 | Frame Top Cover Extension Screw for 81-2 and 81-5 Machines |
| 176F | 5543 | Thread (looper, left hand) Nipper Spring Screw for 81-2 and 81-5 Machines |
| 187D | 5544 | Needle Bar Connecting Bracket Clamping Screw for 42061 and 42222 |
| 190D | 5556 | Feed Dog Screw |
| 190D | 5556 | Thread (looper, right hand) Staple Screw |
| 197D | 5554 | Looper (right hand) Screw |
| 197F | 5554 | Presser Foot Extension Screw for 42116, 42136, 42170, 42226 and 42271 |
| 197D | 5554 | Spreader Screw |
| 197F | 5554 | Thread (looper, right hand) Take-up Screw |
| 197F | 5554 | Thread (needle) Take-up Screw ... |
| 203F | 5554 | Tape Guide Screw, obsolete |
| 207F | 5529 | Feed Eccentric Cover Screw |
| 207F | 5529 | " Regulator Indicator Screw for 81-2 and 81-5 Machines |
| 208E | 5562 | Thread Unwinder Thread Guide Rod Screw for 225324 |
| 209H | 5553 | Looper (left hand) Set Screw for 42051 |
| 217F | 5556 | Guide Screw for 81-13 Machine |
| 217J | 5556 | Thread (needle) Eyelet Screw |

NUMERICAL

LIST

OF PARTS

| NO. | PLATE | NAME |
|------|-------|--|
| 223F | 5544 | Needle Bar Connecting Link Hinge Pin Set Screw for 42061, 42222 and 42291 |
| 228D | 5544 | Needle Bar Thread Retainer Bracket Screw |
| 229E | 5562 | Cloth Plate Extension (lower) Screw for 42107 |
| 229E | 5562 | Cloth Plate Extension (upper) Screw for 42107 |
| 230H | 5595 | Guide Smoothing Plate Screw for 38571 |
| 233J | 5530 | Feed Regulator Stop Screw for 42014 |
| 233D | 5530 | Presser Foot Chaining-off Finger Screw for 42116, 42136, 42141, 42170, 42226 and 42271 |
| 233D | 5530 | Thread (looper, left hand) Eyelet Screw |
| 233D | 5530 | Thread (looper, left hand) Pull-off Screw for 81-2 and 81-5 Machines |
| 236C | 5562 | Cloth Plate Lock Spring Screw for 42107 |
| 283D | 5543 | Feed Eccentric Cover Holder Thumb Screw for 81-13 Machine |
| 283J | 5543 | Frame Top Cover Extension Holder Thumb Screw for 81-2 and 81-5 Machines |
| 313C | 5569 | Knife Grinder Knife Holder Screw Center for 41335 |
| 330D | 5562 | Frame Side Cover (left) Screw |
| 330D | 5562 | " " " (right) Lock Spring Screw for 81-13 Machine |
| 330D | 5562 | Frame Side Cover (right) Screw ... |
| 336F | 5542 | Knife (movable) Holder Guide Set Screw for 42038 |
| 337D | 5530 | Feed Regulator Indicator Plate Screw for 81-2 and 81-5 Machines |
| 356c | 5562 | Rock Shaft Knee Arm Hub Set Screw for 2766 |
| 356c | 5562 | Rock Shaft Knee Plate Set Screw for 2767 |
| 356c | 5562 | Rock Shaft Lifting Bracket Hook Set Screw for 6337 |
| 356c | 5562 | Rock Shaft Lifting Bracket Set Screw for 6337 |
| 356c | 5562 | Rock Shaft Stop Dog Set Screw for 2770 |

| NO. | PLATE | NAME |
|-------|-------|---|
| 404D | 5542 | Knife (movable) Holder Cap Screw for 42113 and 42215 |
| 424c | 5562 | Balance Wheel Set Screw for 42001 |
| 440F | 5543 | Knife (stationary) Holder Stop Screw for 81-2 and 81-5 Machines |
| 453c | 5529 | Feed Eccentric Set Screw for 42011 |
| 462c | 5529 | " Lifting Eccentric Set Screw for 42012 and 42208 |
| 462c | 5529 | Needle Bar Bushing Set Screw for 42251, 42252, 42484 and 42485 |
| 462c | 5529 | Thread (looper, left hand) Tube Set Screw |
| 621D | 5542 | Knife (movable) Holder Guide Plate Screw for 81-2 and 81-5 Machines |
| 624c | 20800 | Needle Bar Crank Shaft Bushing Set Screw for 42484 and 42485 |
| 717c | 5569 | Knife Grinder Knife Holder Bracket Stop Screw for 41335 |
| 742F | 5562 | Frame Top Cover Screw |
| 742F | 5562 | Throat Plate Screw |
| 771D | 5569 | Knife Grinder Knife Holder Clamp Thumb Screw for 41335 |
| 828c | 5556 | Tension (looper, left hand) Screw Stud |
| 828c | 5556 | Tension (looper, right hand) Screw Stud |
| 878D | 5569 | Knife Grinder Frame Oil Hole Stop Screw for 41335 |
| 896E | 7396 | Looper (right hand) and Spreader Lever Connection Cap (lower) Screw for 42075 |
| 896E | 7396 | Looper (right hand) and Spreader Lever Connection Cap (upper) Screw for 42075 |
| 896E | 7396 | Needle Bar Connecting Rod Cap (lower) Screw for 42057 |
| 896E | 7396 | Needle Bar Connecting Rod Cap (upper) Screw for 42057 |
| 904c | 5514 | Needle Bar Connecting Link Hinge Pin Set Screw for 42104 |
| 916c | 5556 | Tension (needle thread) Screw Stud |
| 935E | 5586 | Machine Cushion Screw for 42086 .. |
| 949E | 5562 | Arm Screw |
| 970D | 5569 | Knife Grinder Knife Holder Regulating Thumb Screw for 41335 |
| 1012E | 5529 | Feed Regulator Connection Adjusting Screw for 42015 |

| NO. | PLATE | NAME |
|-------|-------|---|
| 1036c | 5530 | Feed Rock Shaft Hinge Pin Bushing Set Screw |
| 1036c | 5530 | Frame Rotary Shaft Bushing (front) Set Screw |
| 1036c | 5530 | Frame Rotary Shaft Crank Set Screw for 42110 and 42211 |
| 1036c | 5530 | Frame Rotary Shaft Flanged Bushing (back) Set Screw |
| 1036c | 5530 | Knife Grinder Emery Wheel Shaft Pulley Set Screw for 41328 |
| 1036c | 5530 | Knife Grinder Knife Holder Bracket Hinge Stud Set Screw for 41329.. |
| 1036c | 5530 | Looper (left hand) Lever Hinge Stud Set Screw |
| 1057E | 5529 | Feed Connecting Rod Cap Screw for 42008 |
| 1057D | 5529 | Needle Bar Connecting Bracket Clamping Screw for 42291 |
| 1101c | 5543 | Knife (stationary) Holder Screw for 81-2 and 81-5 Machines |
| 1101c | 5543 | Needle Guard Holder Screw for 81-13 Machine |
| 1120c | 5545 | Presser Lever Hinge Stud Set Screw |
| 1148F | 5586 | Lifting Lever Stop Screw for 42133 and 42144 |
| 1229c | 5542 | Knife (movable) Lever Hinge Stud Set Screw for 81-2 and 81-5 Machines |
| 1229c | 5542 | Lifting Lever Bracket Screw for 42133 and 42144 |
| 1253c | 5529 | Feed Bar Hinge Pin Set Screw for 42006 and 42205 |
| 1258c | 5544 | Needle Bar Crank (back) Set Screw for 42103 |
| 1258c | 5544 | Needle Bar Crank (front) Set Screw for 42104 |
| 1259c | 5530 | Feed Regulator Set Screw for 42014 |
| 1259c | 5530 | Frame Rotary Shaft Crank Set Screw for 42025 |
| 1259c | 5530 | Looper (right hand) and Spreader Lever Ball Stud Set Screw for 42073 |
| 1259c | 5530 | Looper (right hand) and Spreader Lever Hinge Pin Bushing Set Screw |

| NO. | PLATE | NAME |
|-------|-------|---|
| 1259c | 5530 | Needle Bar Crank (back) Ball Stud Set Screw for 42103 |
| 1259c | 5530 | Needle Bar Crank (back) Position Screw for 42103 |
| 1259c | 5530 | Needle Bar Crank (front) Position Screw for 42104 |
| 1301D | 5586 | Lifting Lever Hinge Screw for 42133 and 42144 |
| 1324c | 5545 | Presser Foot Screw |
| 1354c | 5562 | Balance Wheel Position Screw for 42001 |
| 1373c | 5529 | Feed Connecting Rod Hinge Screw |
| 1373c | 5529 | " Regulator Connection Hinge Screw |
| 1373c | 5529 | Knife (movable) Lever Connection Hinge Screw for 81-2 and 81-5 Machines |
| 1374c | 5530 | Feed Regulating Screw Stud |
| 1375c | 5553 | Frame Rotary Shaft Crank Position Screw for 42025, 42110 and 42211.. |
| 1376c | 5543 | Knife (stationary) Holder Regulating Thumb Screw for 81-2 and 81-5 Machines |
| 1377c | 5545 | Presser Lever Screw Stud (eccentric) |
| 1378D | 5545 | Pressure Regulating Thumb Screw.. |
| 1407E | 5563 | Machine Base Thumb Screw for 3 in. table (Accessories) |
| 1408E | 5563 | Machine Base Thumb Screw for 2 in. table (Accessories) |
| 1437D | 5562 | Cloth Plate Hinge Screw |
| 1508c | 5569 | Knife Grinder Emery Wheel Clamping Nut for 41335 |
| 1519J | 5569 | Knife Grinder Knife Holder Screw Center Nut for 41335 |
| 1520c | 5529 | Feed Connecting Rod Hinge Screw Nut |
| 1520c | 5529 | Feed Regulator Connection Hinge Screw Nut |
| 1520E | 5529 | Knife Grinder Knife Holder Bracket Stop Screw Nut for 41335 |
| 1520c | 5529 | Knife (movable) Lever Connection Hinge Screw Nut for 81-2 and 81-5 Machines |
| 1520c | 5529 | Looper (left hand) Lever Connecting Link Hinge Screw Nut |

| NO. | PLATE | NAME |
|-------|-------|--|
| 1534D | 5543 | Knife (stationary) Clamping Stud Thumb Nut for 81-2 and 81-5 Ma- chines |
| 1547J | 5543 | Knife (stationary) Holder Stop Screw Nut for 81-2 and 81-5 Ma- chines |
| 1547J | 5543 | Lifting Lever Stop Screw Nut for 42133 and 42144 |
| 1547J | 5543 | Presser Lever Screw Stud Nut |
| 1560C | 5556 | Tension (looper, left hand) Regulat- ing Thumb Nut |
| 1560C | 5556 | Tension (looper, right hand) Regulat- ing Thumb Nut |
| 1560C | 5556 | Tension (needle thread) Regulating Thumb Nut |
| 1629C | — | Needle Clamping Nut, obsolete, use 1728c |
| 1655E | 5562 | Cloth Plate Hinge Screw Nut |
| 1680C | 5530 | Feed Regulating Screw Stud Nut .. |
| 1728C | 20800 | Needle Clamping Nut |
| 2102 | 5556 | Tension (looper, left hand) Disc ... |
| 2102 | 5556 | " (looper, right hand) Disc .. |
| 2102 | 5556 | " (needle thread) Disc |
| 2103 | 5556 | " " " Spring for 81-5 Machine and used in sewing very heavy pockets in Trousers, for 81-2 Machine |
| 2532 | 5592 | Presser Foot Hinge Pin for 42170, obsolete |
| 2749 | 5543 | Feed Eccentric Cover Holder Thumb Screw Washer for 81-13 Machine.. |
| 2749 | 5543 | Frame Top Cover Extension Holder Thumb Screw Washer for 81-2 and 81-5 Machines |
| 2763 | 5564 | Rock Shaft for 42143 |
| 2765 | 5564 | " " Knee Arm for 2768 |
| 2766 | 5564 | " " " " Hub with 356c for 2768 |
| 2767 | 5564 | Rock Shaft Knee Plate with 356c for 2768 |
| 2768 | — | Rock Shaft Knee Arm complete for 42143, Nos. 2765 to 2767 |
| 2770 | 5564 | Rock Shaft Stop Dog with 356c for 42143 |
| 4389 | 5543 | Arm Dowel Pin |

| NO. | PLATE | NAME |
|--------|-------|---|
| 4718 | 5586 | Machine Base Cushion (felt) for 42086 |
| 4822 | 5566 | Wrench for 1547 (Accessories) |
| 4879 | 5566 | Chain Connecting Link for 4885 ... |
| 4881 | 5564 | Treadle for 4885 |
| 4882 | 5566 | " Shaft for 4885 |
| 4883 | 5566 | " Spring for 4885 |
| 4884 | 5564 | " Stand for 4885 |
| 4885 | 5564 | Treadle complete for 42133, Nos. 4879, 4881 to 4884 and two wood screws 1 in. No. 16 |
| 6337 | 5564 | Rock Shaft Lifting Bracket with two 356c for 42143 |
| 6439 | — | Chain, 36 in. to 45 in., with 56864 and 56865 for 42133 |
| 7071 | 5595 | Guide Screw Washer for 81-13 Ma- chine |
| 7125 | 5564 | Rock Shaft Lifting Bracket Hook for 42143 |
| 8238 | 5556 | Tension (needle thread) Spring for 81-2 Machine |
| 8908 | 5566 | Wrench for 1520 and 1655 (Acces- sories) |
| 9842 | 5586 | Machine Base Thumb Screw Spring Washer (Accessories) |
| 10106 | 5544 | Needle Bar Thread Retainer Disc, obsolete, use 42483 |
| 10107 | 5544 | Needle Bar Thread Retainer Spring |
| 10148 | 5556 | Tension (looper, left hand) Spring for 81-2 and 81-13 Machines, obso- lete, use 42121 |
| 10148 | 5556 | Tension (looper, right hand) Spring |
| 10148 | 5556 | " (needle thread) Spring for 81-13 Machine |
| 12242 | 5564 | Rock Shaft Hanger with two wood screws 1 in. No. 10, for 42143 |
| 14063 | 5586 | Machine Base Thumb Screw Spring (Accessories) |
| 14222 | 5569 | Knife Grinder Knife Holder Clamp Steady Pin for 41330 |
| *15404 | — | Trade Mark |
| 15405 | — | " " Rivet |
| 17547 | 5556 | Tension (looper, right hand) Thread Guide |
| 19045 | 5543 | Frame Side Cover (left) Handle for 42027 and 42193, obsolete, use 132701 |

| NO. | PLATE | NAME |
|-------|-------|---|
| 26276 | 5594 | Presser Foot Hinge Pin for 42226, obsolete, use 62527 |
| 27739 | 7234 | Thread Cone (wood) for large cones for 259143 |
| 27998 | 20800 | Bench Stand Cover Hook and Eye (brass) with wood screw $\frac{1}{2}$ in. No. 5 for 79582 |
| 28291 | 20800 | Bench Stand Cover Hinge for 79582 |
| 29599 | 5554 | Looper (right hand) and Spreader Lever Connection Oil Tube Packing (felt) for 42106 |
| 37551 | 5596 | Feed Regulator Stop for 81-13 Machine |
| 38534 | 5560 | Needle Bar (hollow) for 81-5 Machine |
| 38571 | 5595 | Guide with 230u and 38572 for 81-13 Machine |
| 38572 | 5595 | Guide Smoothing Plate for 38571 .. |
| 39541 | 5545 | Presser Foot Screw Washer |
| 40247 | 5544 | Needle Bar Connecting Link Hinge Pin |
| 41326 | 5568 | Knife Grinder Emery Wheel for 41335 |
| 41327 | 5568 | Knife Grinder Emery Wheel Shaft for 41335 |
| 41328 | 5568 | Knife Grinder Emery Wheel Shaft Pulley with 1036c for 41335 |
| 41329 | 5567 | Knife Grinder Frame with 1036c for 41335 |
| 41330 | 5568 | Knife Grinder Knife Holder with two 14222 |
| 41331 | 5568 | Knife Grinder Knife Holder Bracket with 157E for 41335 |
| 41332 | 5569 | Knife Grinder Knife Holder Spring for 41335 |
| 41333 | 5569 | Knife Grinder Knife Holder Clamp for 41335 |
| 41334 | 5569 | Knife Grinder Knife Holder Clamp Spring for 41335 |
| 41335 | — | Knife Grinder complete, Nos. 717c, 970D, 1508c, 1520E, 41326 to 41332, 42065, two each 313c, 771D, 878D, 1519J, 41333, 41334, 41513 and three wood screws $1\frac{1}{4}$ in. No. 12 |
| 41513 | 5569 | Knife Grinder Emery Wheel Washer for 41335 |

| NO. | PLATE | NAME |
|--------|-------|--|
| 42001 | 5576 | Balance Wheel, $2\frac{1}{4}$ in. pulley, with 424c and 1354c |
| 42002 | 5526 | Cloth Plate for 42107 |
| 42003 | 5526 | " " Extension (lower) for 42107 |
| 42005 | 5526 | Cloth Plate Lock Spring for 42107.. |
| 42006 | 5529 | Feed Bar with 1253c for 81-2 and 81-5 Machines |
| 42007 | 5529 | Feed Bar Hinge Pin |
| 42008 | 5529 | " Connecting Rod with two 1057E |
| 42011 | 5529 | " Eccentric with two 453c |
| 42012 | 5529 | " Lifting Eccentric with two 462c for 81-2 and 81-13 Machines, obsolete, use 42208 |
| 42013 | 5529 | Feed Lifting Eccentric Connection.. |
| 42014 | 5530 | " Regulator with 233J and two 1259c |
| 42015 | 5529 | Feed Regulator Connection with 1012E |
| 42016 | 5530 | Feed Regulator Hinge Stud |
| 42017 | 5529 | " " Indicator for 81-2 and 81-5 Machines |
| 42018 | 5530 | Feed Regulator Indicator Plate for 81-2 and 81-5 Machines |
| 42019 | 5530 | Feed Rock Shaft for 42020 |
| 42020 | — | Feed Rock Shaft complete, Nos. 42019 and 42021 |
| 42021 | 5530 | Feed Rock Shaft Crank with 157E for 42020 |
| *42022 | — | Frame for 81-2 and 81-13 Machines.. |
| 42023 | 5576 | " Rotary Shaft for 81-2 and 81-13 Machines |
| 42024 | 5576 | Frame Rotary Shaft Bushing (front) |
| 42025 | 5553 | " " " Crank with 1259c and 1375c for 81-13 Machine |
| 42026 | 5576 | Frame Rotary Shaft Flanged Bushing (back) with 54967 |
| 42027 | 5593 | Frame Side Cover (left) with 132701 for 81-2 and 81-5 Machines |
| 42028 | 5526 | Frame Side Cover (right, hinged).. |
| 42029 | 5576 | " Top Cover |
| 42035 | 5542 | Knife (movable) Holder for 42113 and 42215 |
| 42037 | 5542 | Knife (movable) Holder Cap for 42113 |

| NO. | PLATE | NAME |
|-------|-------|--|
| 42038 | 5542 | Knife (movable) Holder Guide with 336F for 81-2 and 81-5 Machines .. |
| 42039 | 5542 | Knife (movable) Holder Guide Plate for 81-2 and 81-5 Machines |
| 42040 | 5542 | Knife (movable) Holder Screw Extension Pin for 42113 and 42215.. |
| 42041 | 5542 | Knife (movable) Holder Spring for 81-2 and 81-5 Machines |
| 42042 | 5542 | Knife (movable) Lever for 81-2 and 81-5 Machines |
| 42043 | 5542 | Knife (movable) Lever Connection with two 175E for 81-2 Machine, obsolete, use 42217 |
| 42045 | 5542 | Knife (movable) Lever Hinge Stud for 81-2 and 81-5 Machines |
| 42045 | 5542 | Presser Lever Hinge Stud |
| 42046 | 5543 | Knife (stationary) with 42049 for 81-2 and 81-5 Machines |
| 42048 | 5543 | Knife (stationary) Clamping Stud for 81-2 and 81-5 Machines |
| 42049 | 5543 | Knife (stationary) Stud for 42046 .. |
| 42051 | 5553 | Looper (left hand) Lever with 209H |
| 42052 | 5553 | " " " Connecting Link |
| 42053 | 5553 | Looper (left hand) Lever Hinge Stud |
| 42054 | 5544 | Needle Bar for 81-2 and 81-13 Machines |
| 42055 | 5544 | Needle Bar Connecting Link |
| 42057 | 5544 | " " " Rod with four 896E |
| 42061 | 5544 | Needle Bar Connecting Bracket with 187D and 223F for 81-2 and 81-13 Machines |
| 42065 | 5569 | Knife Grinder Knife Holder Bracket Hinge Stud for 41335 |
| 42066 | 5544 | Needle Guard |
| 42069 | 5545 | Presser Lever for 81-2 and 81-13 Machines |
| 42070 | 5545 | Presser Lever Lifter |
| 42071 | 5545 | " " Spring |
| 42072 | 5554 | Spreader for 81-2 and 81-13 Machines, obsolete, use 132631 |
| 42073 | 5553 | Looper (right hand) and Spreader Lever with 1259c |
| 42074 | 5553 | Looper (right hand) and Spreader Lever Ball Stud for 81-2 and 81-13 Machines |

| NO. | PLATE | NAME |
|-------|-------|---|
| 42074 | 5553 | Needle Bar Crank (back) Ball Stud |
| 42075 | 5553 | Looper (right hand) and Spreader Lever Connection with four 896E |
| 42077 | 5554 | Looper (right hand) and Spreader Lever Connection Guide |
| 42077 | 5554 | Needle Bar Connecting Rod Guide.. |
| 42078 | 5554 | Looper (right hand) and Spreader Lever Hinge Pin |
| 42079 | 5530 | Feed Rock Shaft Hinge Pin Bushing |
| 42079 | 5530 | Looper (right hand) and Spreader Lever Hinge Pin Bushing |
| 42082 | 5556 | Tension (needle thread) Thread Guide |
| 42083 | 5553 | Thread (looper, left hand) Eyelet, obsolete, use 42242 |
| 42084 | 5556 | Thread (looper, left hand) Tube ... |
| 42086 | 5564 | Machine Base with three wood screws 1½ in. No. 12 and four each 935E, 4718, 42088 and 66707 |
| 42088 | 5586 | Machine Cushion (felt) for 42086 .. |
| 42089 | 5566 | Wrench for 1324, 1374 and 1629 (Accessories) obsolete, use 68547 |
| 42090 | 5566 | Threading Wire (Accessories) |
| 42091 | 5597 | Looper (right hand) obsolete, use 42166 |
| 42092 | 5597 | Thread (looper, right hand) Eyelet, obsolete, use 42127 |
| 42093 | 5556 | Thread (looper, right hand) Staple |
| 42094 | 5526 | Feed Eccentric Cover |
| 42096 | 5556 | Thread (needle) Eyelet |
| 42098 | 5530 | Feed Rock Shaft Hinge Pin |
| 42101 | 5543 | Frame Side Cover (right) Lock Spring for 81-2 and 81-5 Machines |
| 42102 | 5543 | Feed Eccentric Cover Holder for 81-13 Machine |
| 42102 | 5543 | Frame Top Cover Extension Holder for 81-2 and 81-5 Machines |
| 42103 | 5544 | Needle Bar Crank (back) with 1258c and two 1259c |
| 42104 | 5544 | Needle Bar Crank (front) with 904c, 1258c and 1259c |
| 42105 | 5544 | Needle Bar Crank Shaft |
| 42106 | 5554 | Looper (right hand) and Spreader Lever Connection Oil Tube and Bracket with 29599 |

| NO. | PLATE | NAME |
|-------|-------|---|
| 42107 | — | Cloth Plate complete, Nos. 42002, 42003, 42005, 42108, two 236c and five 229E |
| 42108 | 5526 | Cloth Plate Extension (upper) for 42107 |
| 42109 | 5531 | Feed Dog, 24 teeth (16 teeth to the inch) for 42116, 42129 and 42134, for 81-2 Machine |
| 42110 | 5545 | Frame Rotary Shaft Crank with 1036c and 1375c for 81-2 Machine.. |
| 42111 | 5542 | Knife (movable) for light work for 81-2 Machine |
| 42112 | 5542 | Knife (movable) Gib for 42113 |
| 42113 | — | Holder 42035 with 133F, 42037, 42040, 42112 and two 404D, for 42111, for 81-2 Machine |
| 42114 | 5554 | Looper (left hand) for 81-2 and 81-13 Machines |
| 42115 | 5544 | Needle Bar Thread Retainer Bracket |
| 42116 | 5592 | Presser Foot complete for sewing in sleeves for 42109, Nos. 197F, 233D, 42118, 42120 and 42138 for 81-2 Machine |
| 42117 | 5592 | Presser Foot Chaining-off Finger for $\frac{1}{4}$ in. bight, for 42116 and 42141 |
| 42118 | 5592 | Presser Foot Chaining-off Finger for $\frac{3}{8}$ in. bight, for 42116 and 42136.. |
| 42119 | 5592 | Presser Foot Chaining-off Finger for $\frac{1}{2}$ in. bight, for 42116 |
| 42120 | 5592 | Presser Foot Extension for 42116, 42136 and 42170 |
| 42121 | 5556 | Tension (looper, left hand) Spring.. |
| 42122 | 5554 | Thread (looper, left hand) Nipper Spring (lower) for 81-2 and 81-5 Machines |
| 42123 | 5554 | Thread (looper, left hand) Nipper Spring (upper) for 81-2 and 81-5 Machines |
| 42124 | 5597 | Thread (looper, left hand) Pull-off for 81-2 and 81-5 Machines |
| 42125 | 5597 | Thread (looper, left hand) Pull-off Eyelet for 81-2 and 81-5 Machines |
| 42126 | 5597 | Thread (looper, right hand) Pull-off for 81-2 and 81-5 Machines |
| 42127 | 5556 | Thread (looper, right hand) Take-up |
| 42128 | 5597 | " (needle) Take-up |

| NO. | PLATE | NAME |
|-------|-------|---|
| 42129 | 5531 | Throat Plate for $\frac{1}{4}$ in., $\frac{3}{8}$ in. and $\frac{1}{2}$ in. bight, for 42109 |
| 42130 | 5586 | Lifting Lever for 42133 and 42144 .. |
| 42131 | 5586 | " " Bracket for 42133 and 42144 |
| 42132 | 5586 | Lifting Lever Spring for 42133 and 42144 |
| 42133 | — | Foot Lifter complete, Nos. 1301D, 4885, 6439, 42130 to 42132 and two each 1148E, 1229C and 1547J |
| 42134 | 5531 | Throat Plate for $\frac{1}{8}$ in. bight, for 42109 |
| 42135 | — | Presser Foot Body for 42136, obsolete, use 42138 |
| 42136 | 5597 | Presser Foot complete, for sewing in sleeves, for 42109, for 81-2 Machine, Nos. 197E, 233D, 42118, 42120 and 42135, obsolete, use 42116 |
| 42137 | 5554 | Tape Guide for sewing in sleeves, for 81-2 Machine, obsolete |
| 42138 | — | Presser Foot Body for 42116, for 81-2 Machine |
| 42139 | — | Presser Foot Plate, obsolete |
| 42140 | — | " " Shank, obsolete |
| 42141 | 5597 | Presser Foot (hinged) complete, for sewing pockets in trousers, for 81-2 Machine, Nos. 233D, 42117, 42139, 42140 and 42461, obsolete.. |
| 42142 | 5564 | Lifting Lever Connecting Rod for 42144 |
| 42143 | 5564 | Rock Shaft complete for 42144, Nos. 2763, 2768, 6337, 7125 and two each 2770 and 12242 |
| 42144 | — | Knee Lifter complete, Nos: 1301D, 42130 to 42132, 42142, 42143 and two each 1148E, 1229C and 1547J |
| 42156 | 5545 | Knife (stationary) Holder for 81-2 and 81-5 Machines, obsolete, use 132766 |
| 42165 | 5592 | Feed Dog, 24 teeth (16 teeth to the inch) for sewing very heavy pockets in trousers, for 42171 for 81-2 Machine |
| 42166 | 5553 | Looper (right hand) for 81-2 and 81-13 Machines |

| NO. | PLATE | NAME |
|--------|-------|---|
| 42167 | — | Presser Foot Plate for 42170 |
| 42168 | 5592 | " " Chaining-off Finger for 42170 and 42226 |
| 42169 | — | Presser Foot Shank for 42170 and 42271 |
| 42170 | 5592 | Presser Foot (hinged) complete for 42165, for 81-2 Machine, Nos. 197F, 233D, 42120, 42167 to 42169 and 62527 |
| 42171 | 5592 | Throat Plate for 42165 |
| 42172 | 5592 | Presser Foot Chaining-off Finger for $\frac{1}{8}$ in. bight, for 42116 |
| 42192 | 5560 | Frame Side Cover (right) Lock Spring for 81-13 Machine |
| 42193 | 5593 | Frame Side Cover (left) with 132701 for 81-13 Machine |
| 42195 | 5596 | Needle Guard Holder for 81-13 Ma- chine |
| 42205 | 5596 | Feed Bar with 1253c for 81-13 Ma- chine |
| 42207 | 5594 | Feed Dog, 26 teeth (16 teeth to the inch) for 42228, for 81-5 Machine |
| 42208 | 5596 | Feed Lifting Eccentric with two 462c for 81-2 and 81-5 Machines |
| *42209 | — | Frame for 81-5 Machine |
| 42210 | 5593 | " Rotary Shaft for 81-5 Machine, obsolete, use 42266 |
| 42211 | 5596 | Frame Rotary Shaft Crank with 1036c and 1375c for 81-5 Machine |
| 42212 | 5596 | Frame Top Cover Extension for 81-5 Machine |
| 42213 | 5560 | Knife (movable) for 81-5 Machine and for heavy work for 81-2 Ma- chine |
| 42214 | 5560 | Knife (movable) Gib for 42215 |
| 42215 | — | " " Holder 42035 with 133F, 42040, 42214, 42216 and two 404D, for 42213, for 81-5 Machine and for heavy work for 81-2 Ma- chine |
| 42216 | 5560 | Knife (movable) Holder Cap for 42115 |
| 42217 | 5560 | Knife (movable) Lever Connection with 42218 and two 175E, for 81-2 and 81-5 Machines |
| 42218 | — | Knife (movable) Lever Connection Cap for 42217 |

| NO. | PLATE | NAME |
|--------|-------|---|
| 42219 | 5560 | Looper (left hand) for 81-5 Machine |
| 42220 | 5560 | " (right hand) for 81-5 Machine |
| 42221 | 5560 | " " " and Spreader Lever Ball Stud for 81-5 Machine |
| 42222 | 5560 | Needle Bar Connecting Bracket with 187D and 223F, obsolete, use 42291, for 81-5 Machine |
| 42223 | — | Presser Foot Body for 42226 |
| 42224 | 5594 | " " Extension for 42226 .. |
| 42225 | — | " " Plate for 42226 |
| 42226 | 5594 | Presser Foot (hinged) complete for 81-5 Machine, Nos. 197F, 233D, 42168, 42223 to 42225 and 62527 .. |
| 42227 | 5593 | Presser Lever for 81-5 Machine |
| 42228 | 5594 | Throat Plate for 42207, for 81-5 Ma- chine |
| 42242 | 7396 | Thread (looper, left hand) Eyelet .. |
| 42250 | 5560 | Spreader for 81-5 Machine |
| *42251 | — | Arm with 15404 and two each 462c, 15405 and 42253 for 81-2 and 81-13 Machines, obsolete, use 42484 |
| *42252 | — | Arm with 15404 and two each 462c, 15405 and 42253 for 81-5 Machine, obsolete, use 42485 |
| 42253 | 5544 | Needle Bar Bushing for 42251, 42252, 42484 and 42485 |
| 42266 | 5593 | Frame Rotary Shaft for 81-5 Machine |
| 42267 | 5595 | Feed Dog, 23 teeth (16 teeth to the inch) for 42272, for 81-13 Machine |
| 42268 | 5549 | Presser Foot Chaining-off Finger for 42271 |
| 42269 | 5549 | Presser Foot Extension for 42271 .. |
| 42270 | — | " " Plate for 42271 |
| 42271 | 5549 | Presser Foot (hinged) complete for 81-13 Machine, Nos. 197F, 233D, 42169, 42268 to 42270 and 42461 .. |
| 42272 | 5595 | Throat Plate for 42267 |
| 42290 | 5530 | Feed Regulating Screw Stud Washer |
| 42291 | 5596 | Needle Bar Connecting Bracket with 223F and 1057D for 81-5 Machine.. |
| 42367 | 5596 | Frame Rotary Shaft Front Bearing Oil Pad (braided cotton) |
| 42459 | 20788 | Frame Top Cover Extension for 81-2 Machine, obsolete, use 132650 |
| 42461 | 7396 | Presser Foot Hinge Pin for 42141, 42170 and 42271 |

| NO. | PLATE | NAME |
|---------|-------|---|
| 42483 | 20788 | Needle Bar Thread Retainer Disc .. |
| *42484 | — | Arm with 15404 and two each 462c, 624c, 15405, 42253 and 42487 for 81-2 and 81-13 Machines |
| *42485 | — | Arm with 15404 and two each 462c, 624c, 15405, 42253 and 42487 for 81-5 Machine |
| 42487 | 20788 | Needle Bar Crank Shaft Bushing for 42484 and 42485 |
| 50562c | 7396 | Looper (left hand) Lever Connecting Link Hinge Screw |
| 54967 | 5596 | Frame Rotary Shaft Flanged Bush- ing (back) Oil Pad (braided cotton) for 42026 |
| 56864 | 5566 | Chain Hook (large) for 6439 |
| 56865 | 7396 | " " (small) for 6439 |
| 62527 | 20800 | Presser Foot Hinge Pin for 42170 and 42226 |
| 66707 | 7396 | Machine Cushion Screw Washer for 42086 |
| 68547 | 20788 | Wrench for 1324,1374 and 1629 (Ac- cessories) |
| 79582 | — | Bench Stand with 27998, two each 28291, wood screws 1¼ in. No. 14 and eight wood screws ⅝ in. No. 5 |
| 120341 | 5566 | Tweezers (curved) Accessories |
| 120344 | 5566 | Oiler (copper plated) with 120345 (Accessories) |
| 120345 | 5566 | Oiler Spout, 5 in. long, for 120344 (Accessories) |
| 120440 | 5566 | Screw Driver (Accessories) |
| 132631 | 20788 | Spreader for 81-2 and 81-13 Machines |
| 132650 | 20788 | Frame Top Cover Extension for 81-2 Machine |
| 132701 | 20788 | Frame Side Cover (left) Handle for 42027 and 42193 |
| 132766 | 20788 | Knife (stationary) Holder |
| 150203 | 20801 | Thread Unwinder Spool Rest Cushion (felt) for 259143 |
| 200383c | 7396 | Thread Unwinder Spool Rest Rod Set Screw for 202490 |
| 201018c | 7396 | Thread Unwinder Spool Rest Set Screw for 225257 and 225259 |
| 201696j | 7396 | Thread Unwinder Thread Guide Lock Nut for 259143 |

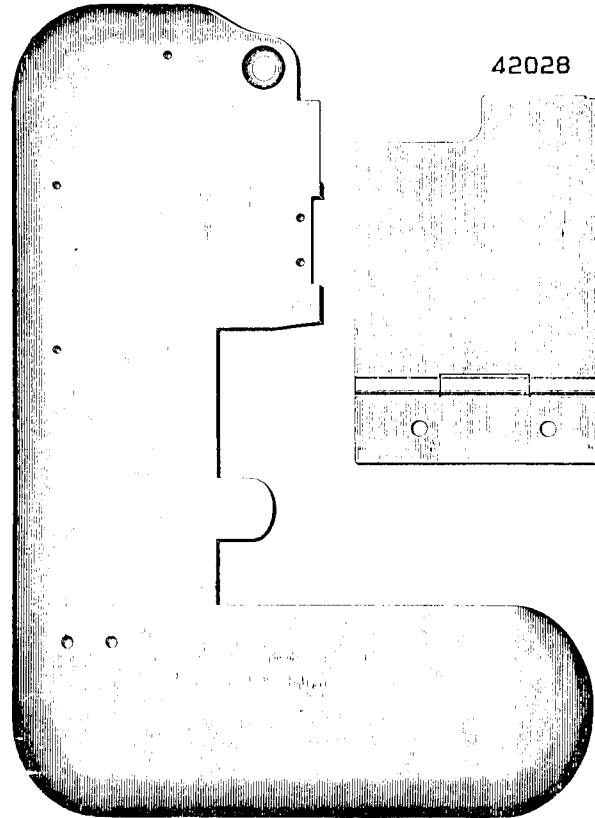
| NO. | PLATE | NAME |
|--------|-------|--|
| 202490 | 20801 | Thread Unwinder Spool Stand with 200383c for 259143 |
| 225257 | 20801 | Thread Unwinder Spool Rest (for two spools) with 201018c for 259143 |
| 225259 | 20801 | Thread Unwinder Spool Rest (for one spool) with 201018c for 259143 |
| 225322 | 20788 | Thread Unwinder Thread Guide Rod Washer for 225324 |
| 225324 | 20801 | Thread Unwinder Thread Guide Rod with 208E and 225322 for 259143 .. |
| 225326 | 20788 | Thread Unwinder Thread Guide Position Cap for 259143 |
| 225388 | 20801 | Thread Unwinder Spool Rest Rod for 259143 |
| 225390 | 7234 | Thread Unwinder Thread Cone Hol- der for inverted cones for 259143 |
| 225391 | 20801 | Thread Unwinder Thread Guide for 259143 |
| 259143 | 20801 | Thread Unwinder (for three spools) complete, Nos. 201696j, 202490, 225257, 225259, 225324, 225326, 225388, three each 150203, 225391 and wood screws ⅞ in. No. 12 |

SINGER Needles should be used
in SINGER Machines.
These Needles and their Containers
are marked with the
Company's Trade Mark "SIMANCO.**" 1

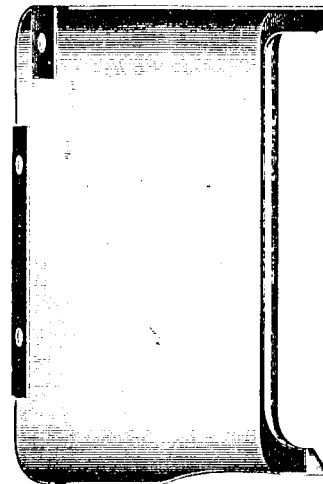
Needles in Containers marked
"FOR SINGER MACHINES"
are NOT **SINGER** made needles. 2

ILLUSTRATIONS
OF
PARTS

42002



42003



42108



42005



42094

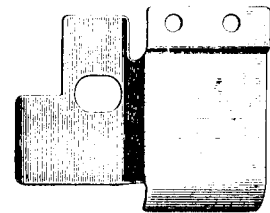


PLATE 5529—FULL SIZE

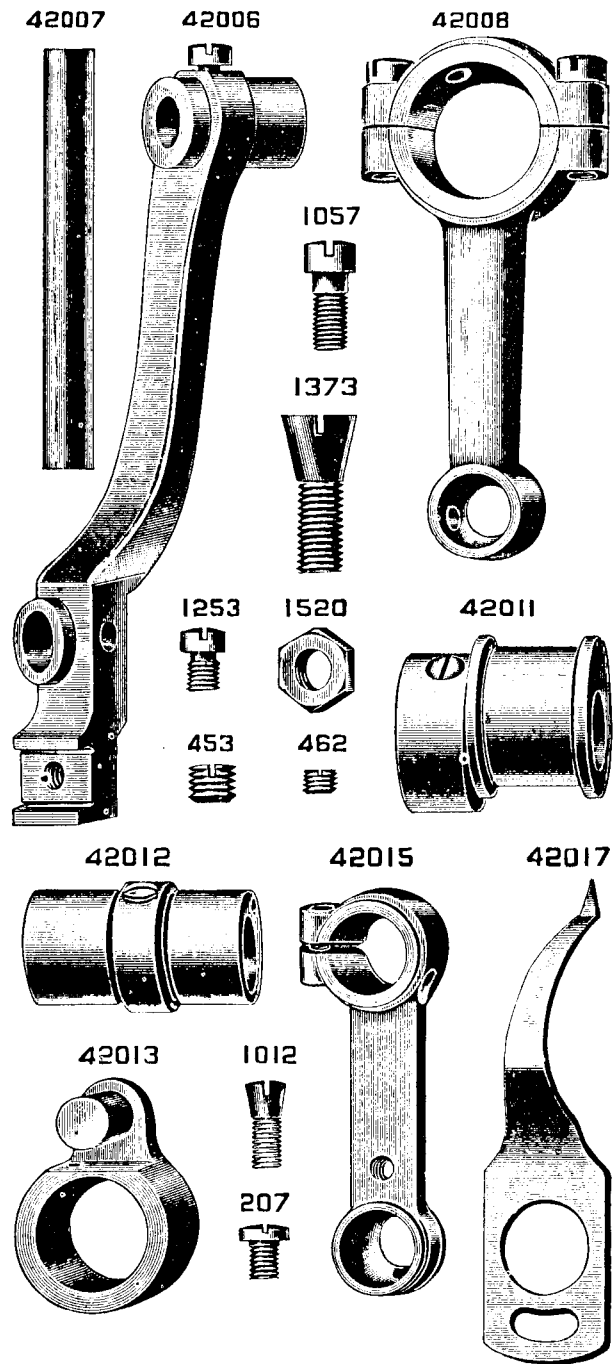


PLATE 5530—FULL SIZE

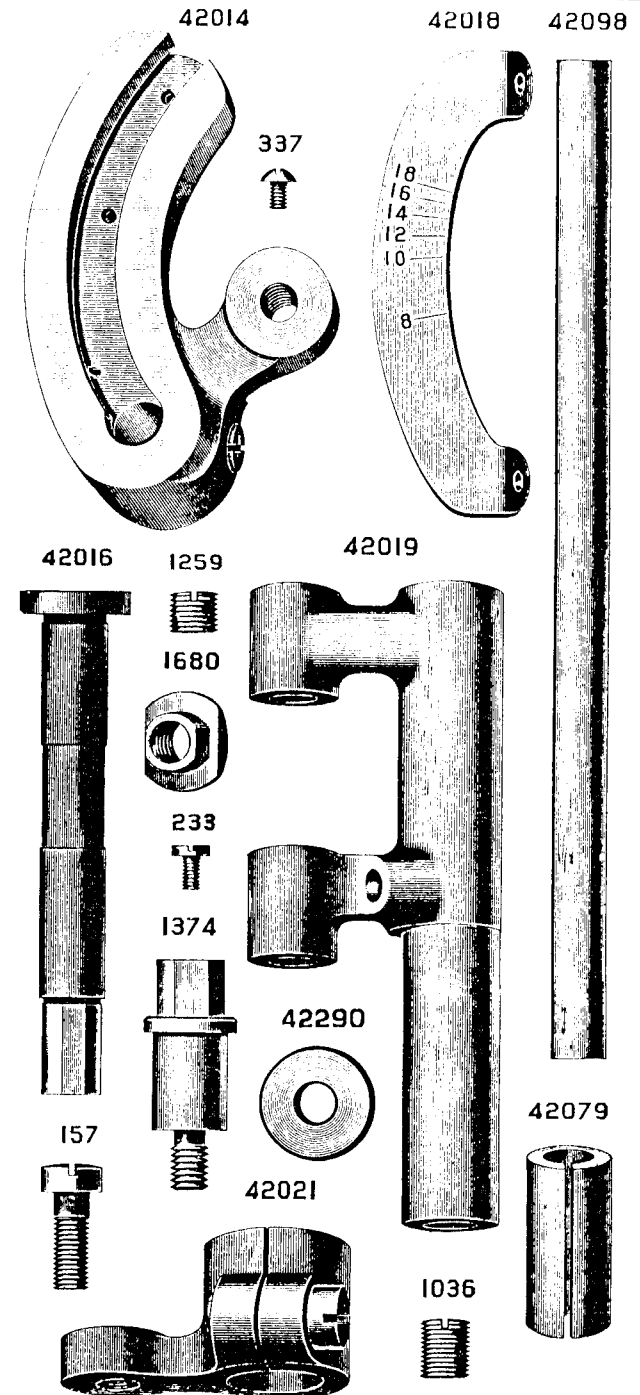


PLATE 5531—FULL SIZE

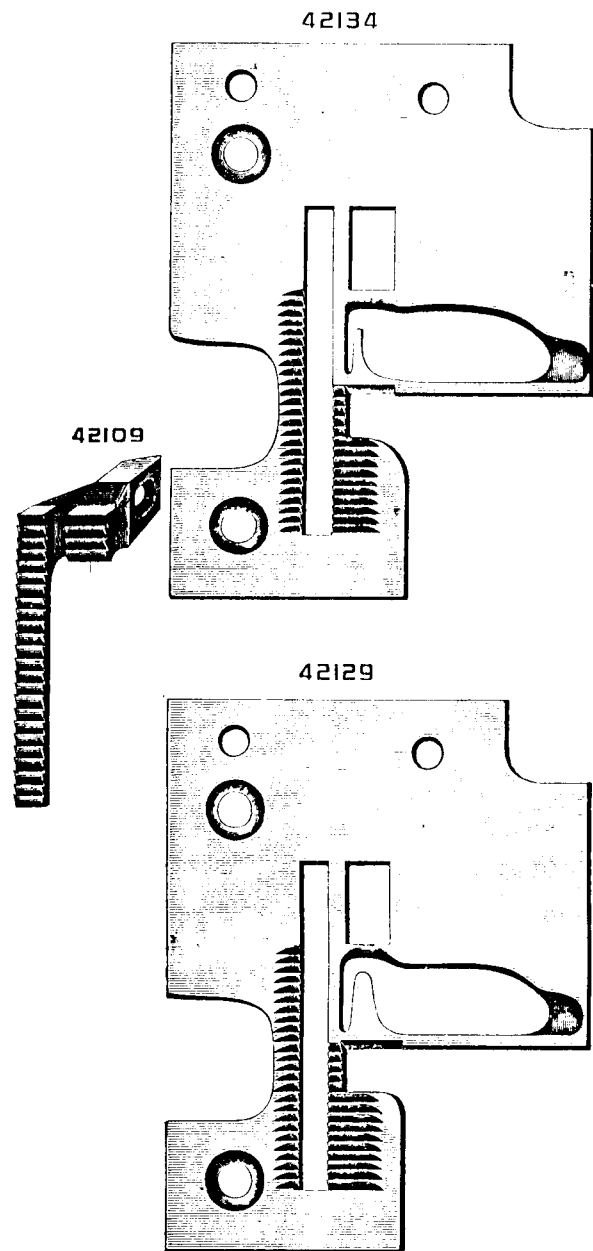


PLATE 5542—FULL SIZE

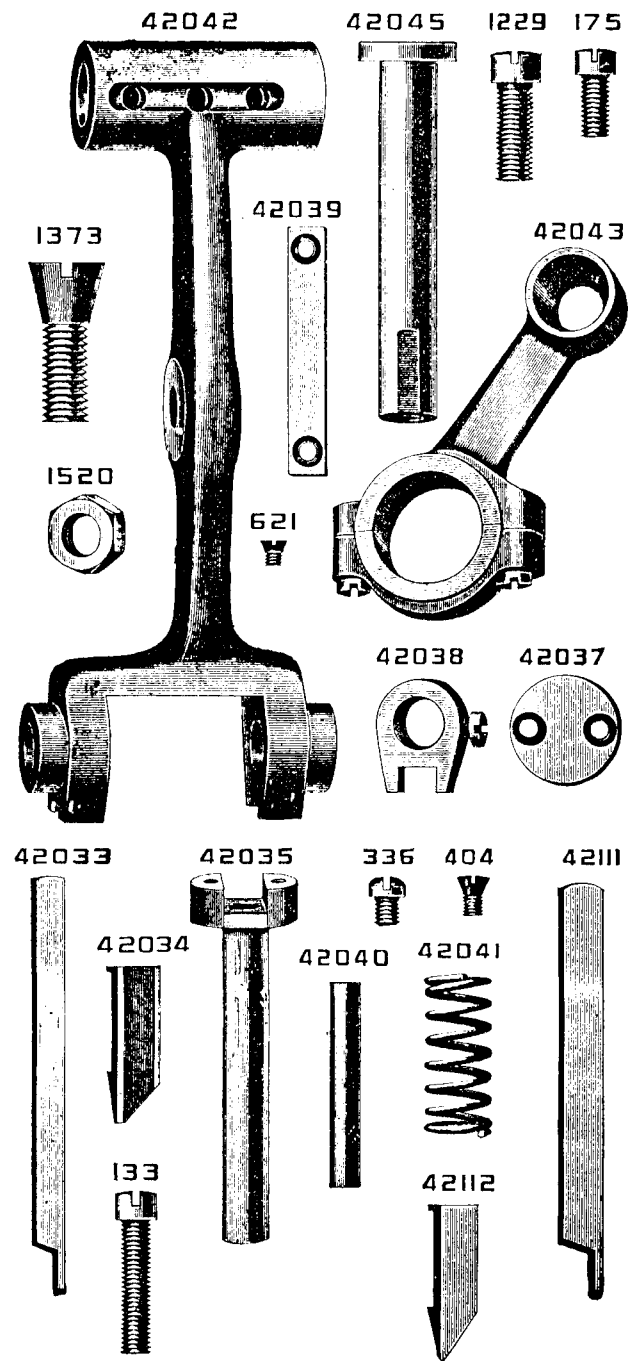


PLATE 5543—FULL SIZE

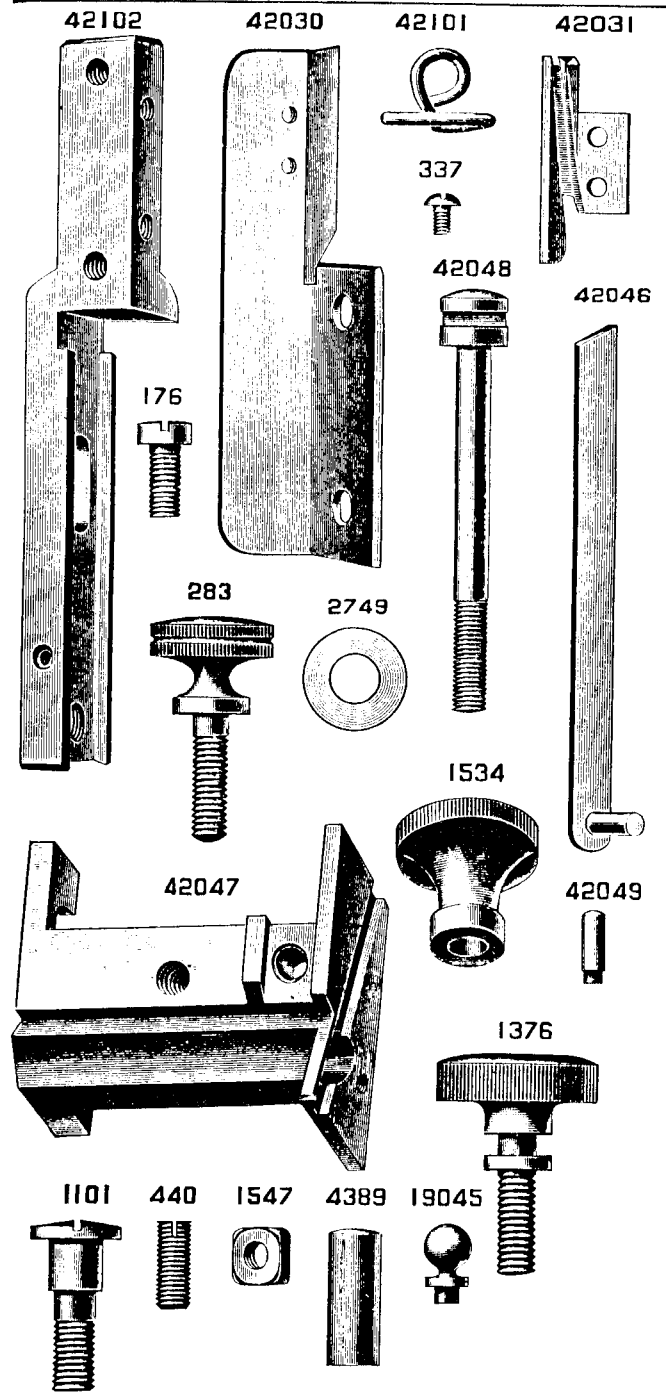


PLATE 5544—FULL SIZE

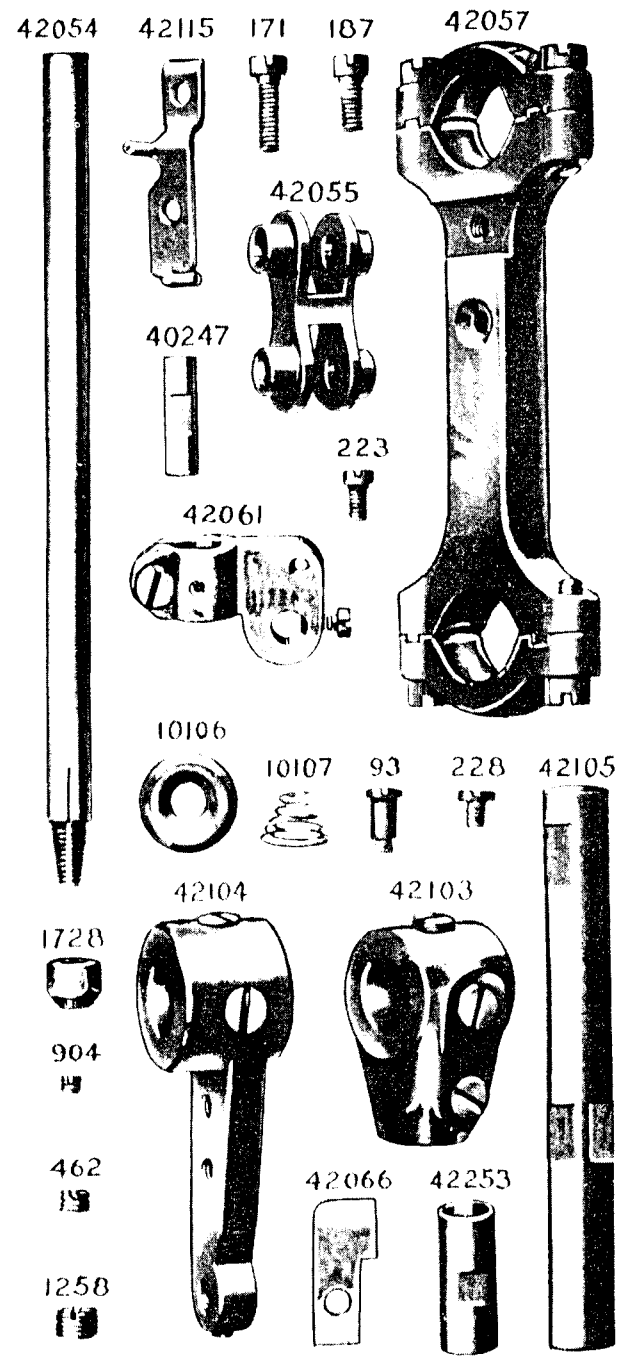


PLATE 5545--FULL SIZE

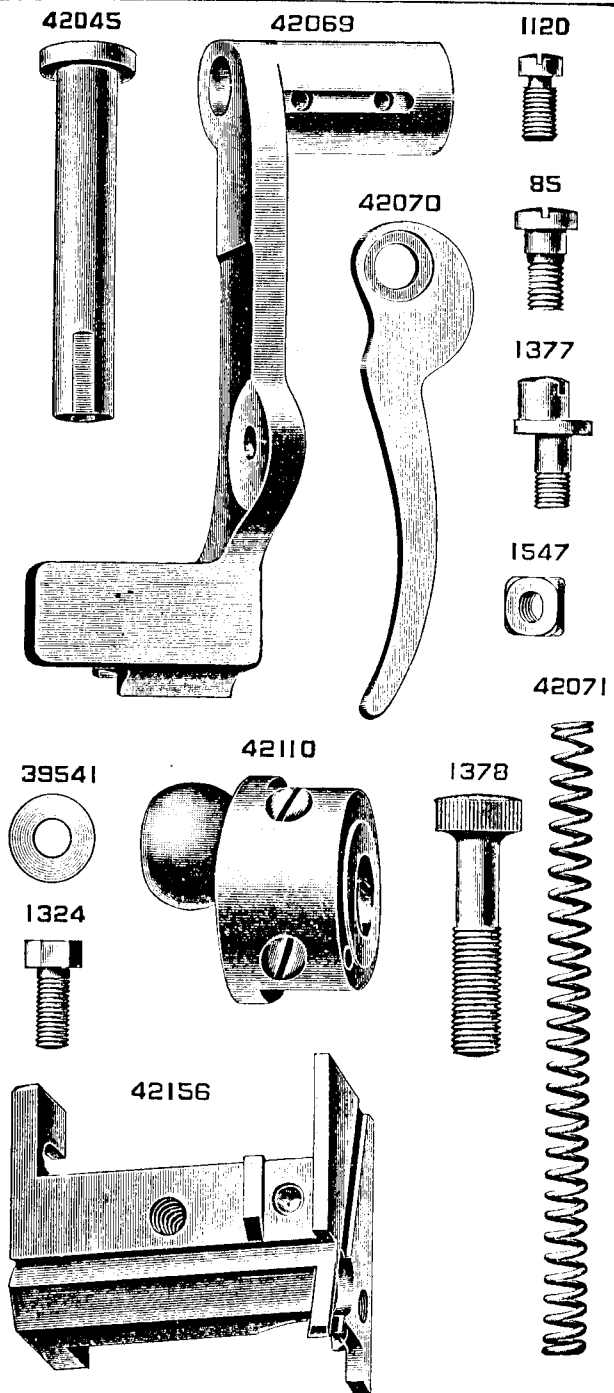


PLATE 5549--FULL SIZE

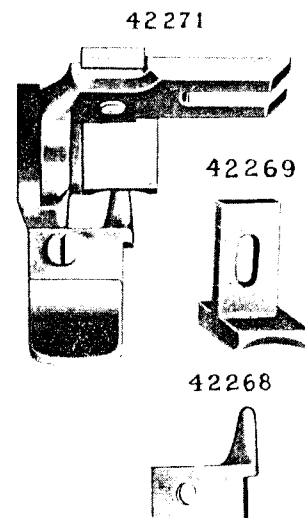


PLATE 5553—FULL SIZE

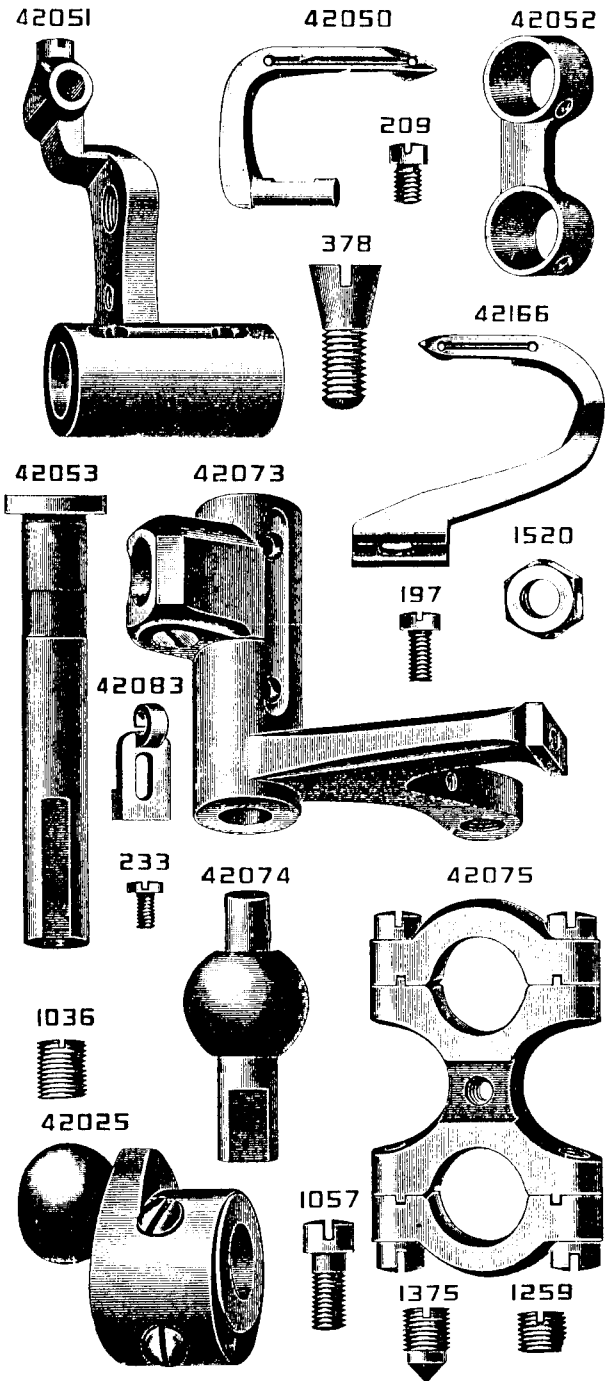


PLATE 5554—FULL SIZE

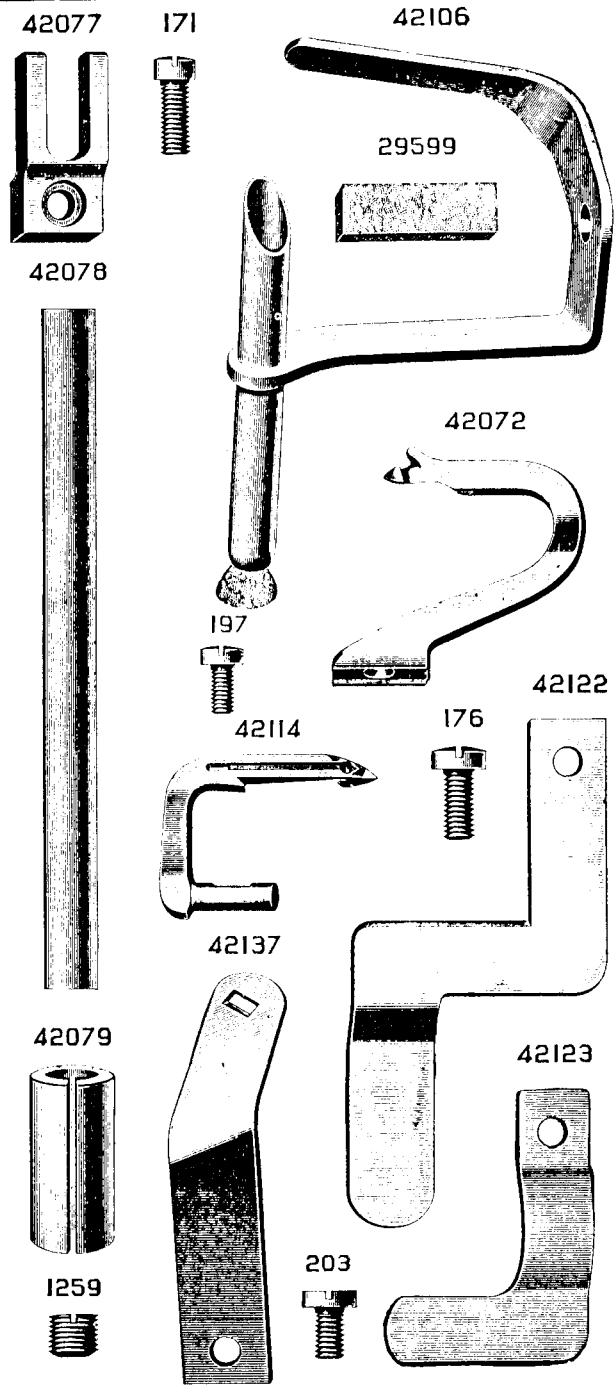


PLATE 5556—FULL SIZE

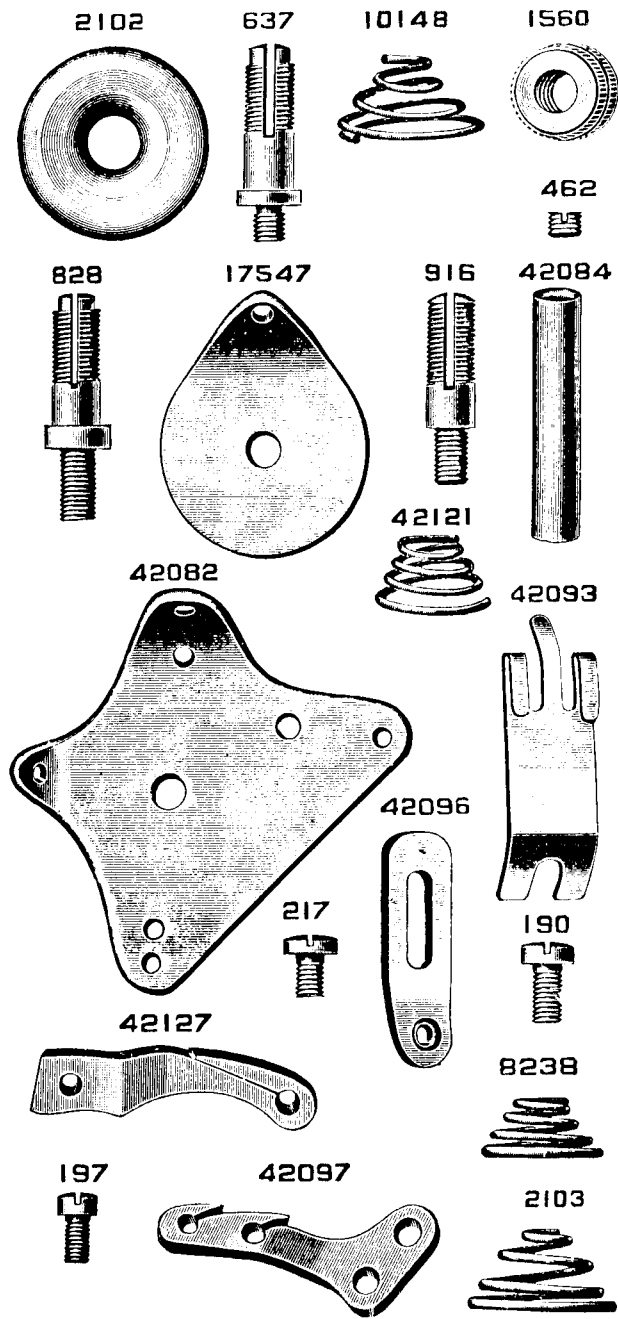


PLATE 5560—FULL SIZE

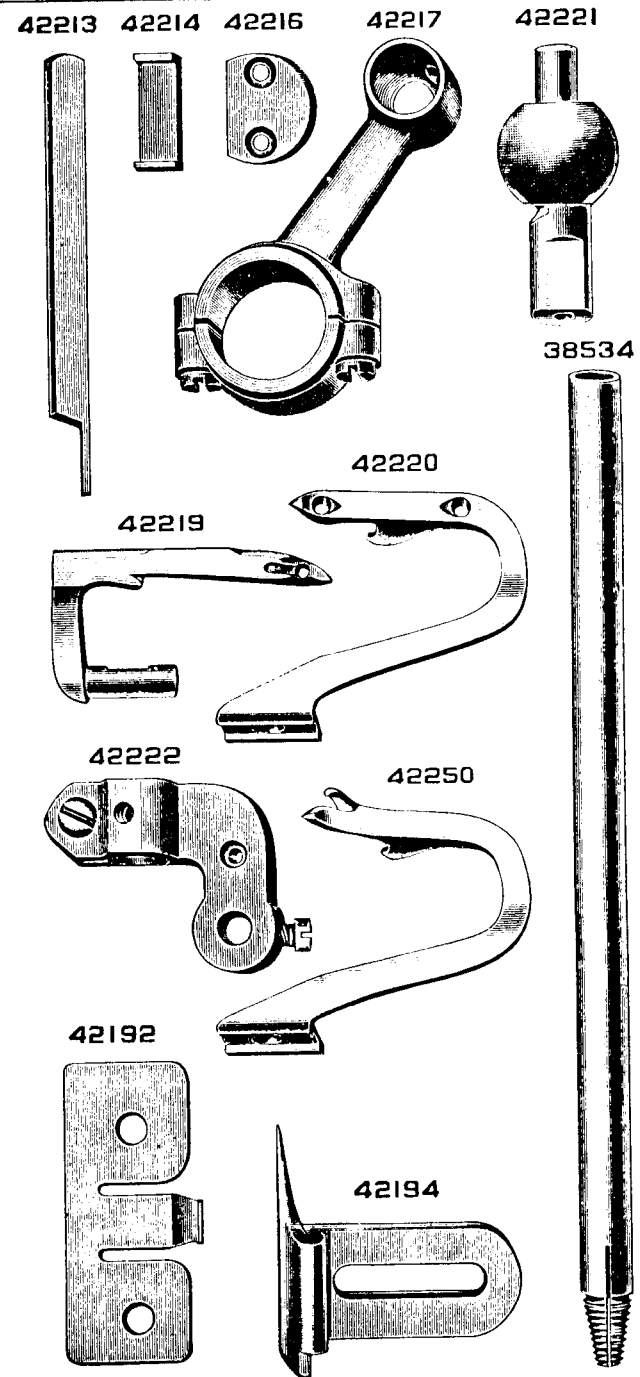


PLATE 5562—FULL SIZE

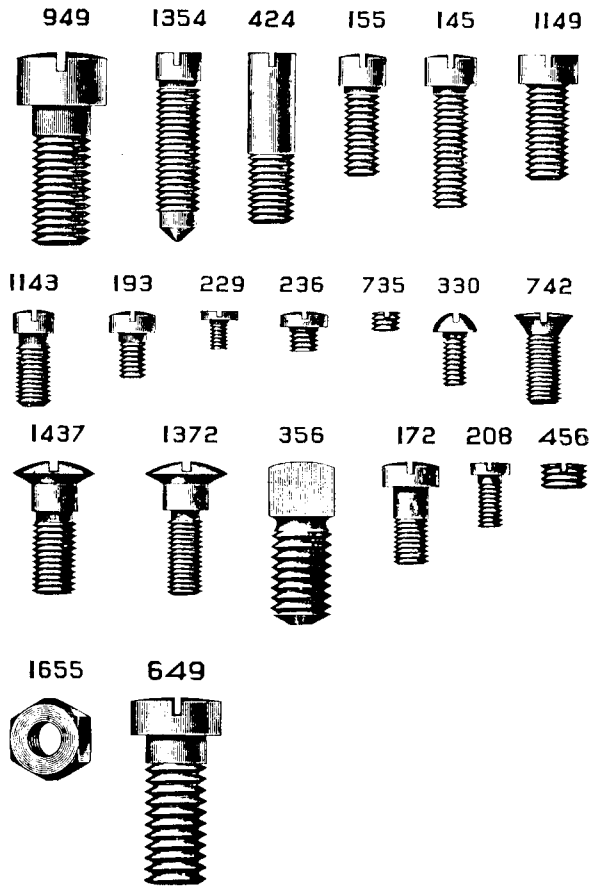


PLATE 5563—FULL SIZE

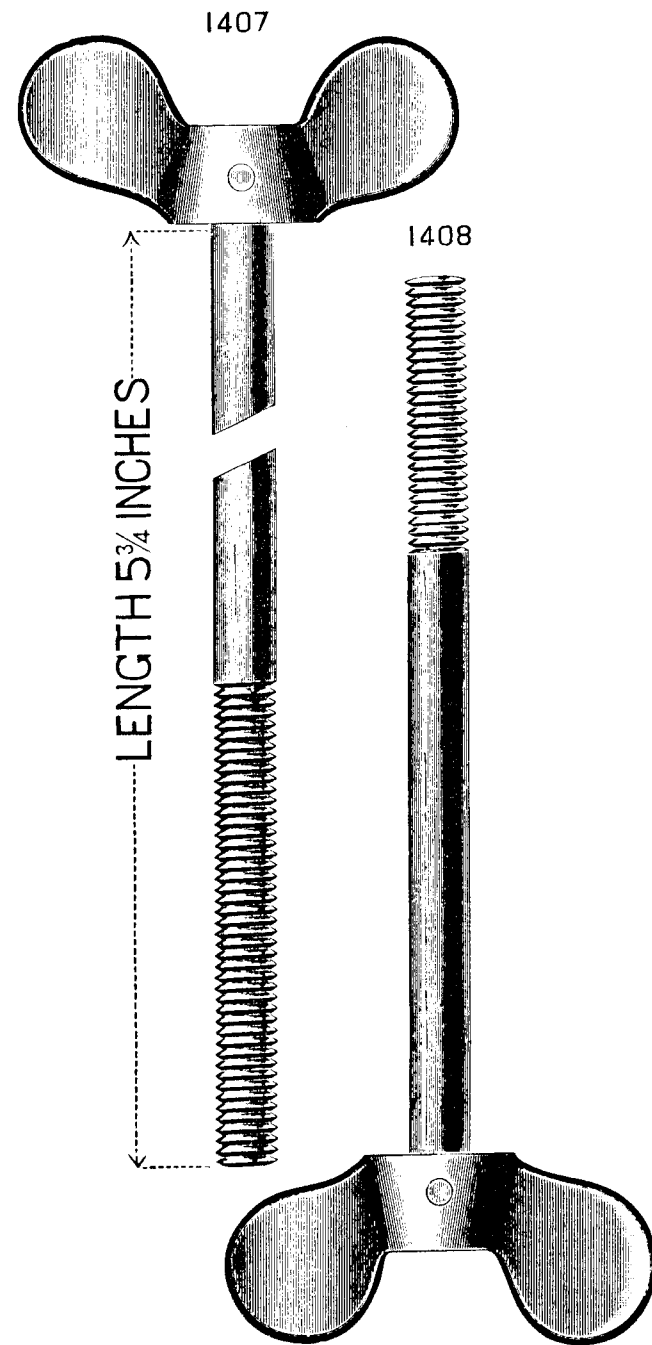


PLATE 5564—ONE-FOURTH SIZE

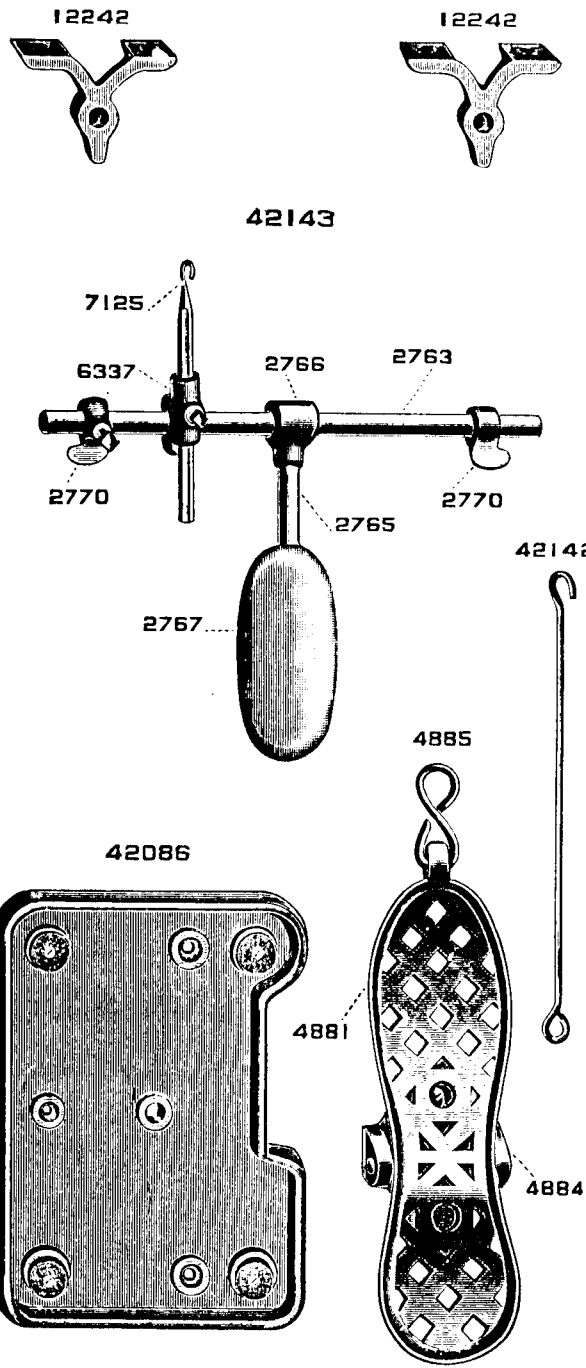


PLATE 5566—ONE-HALF SIZE

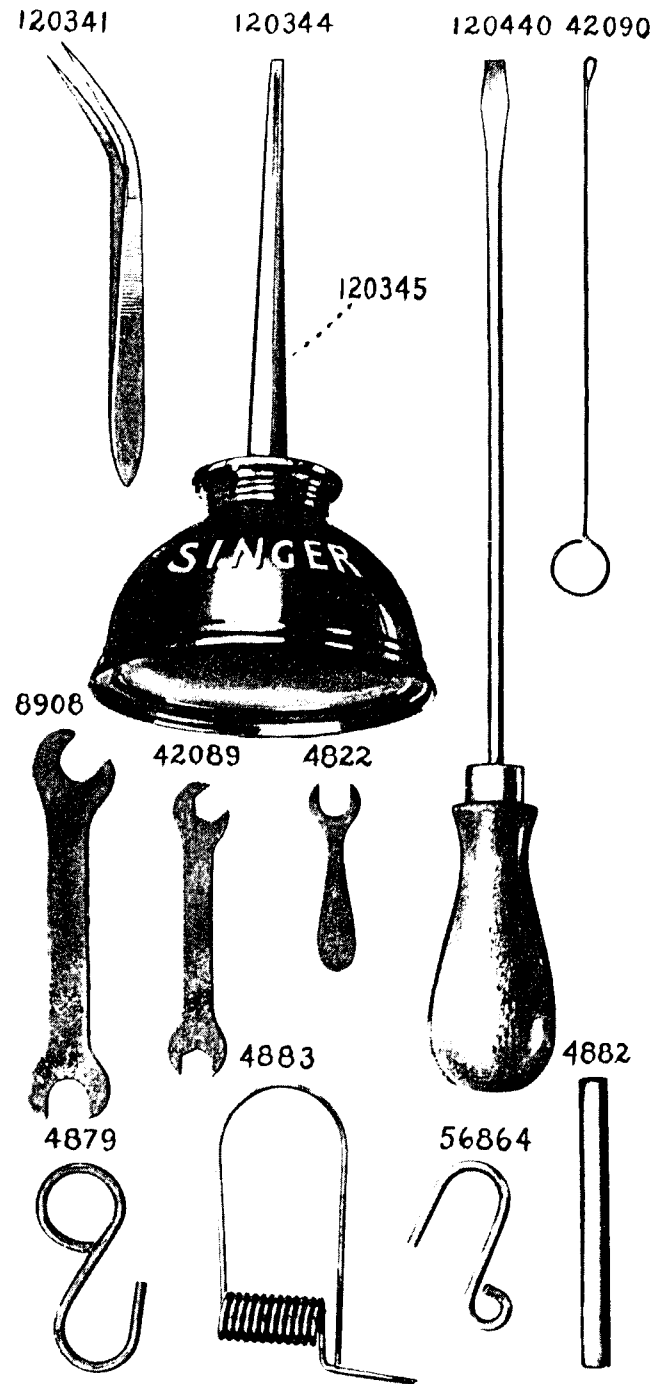


PLATE 5567—ONE-HALF SIZE

41329

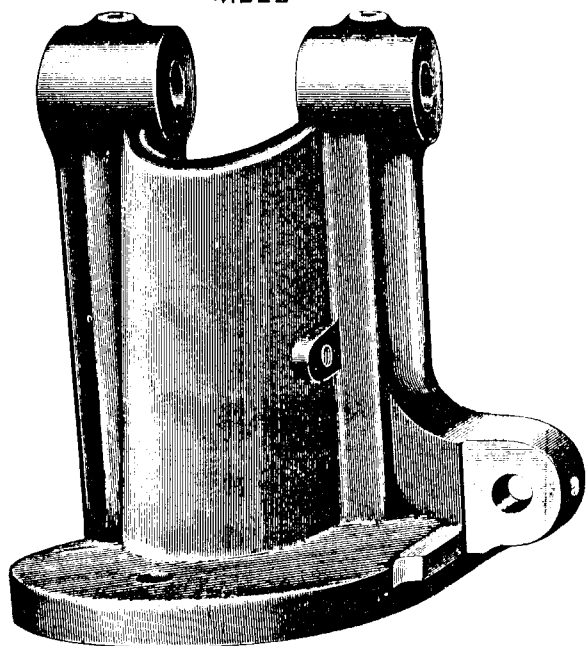
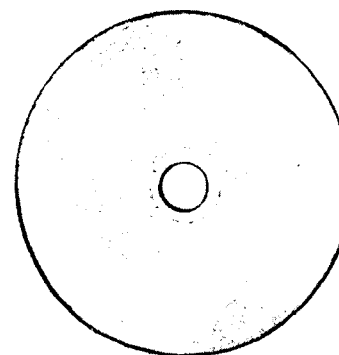


PLATE 5568—ONE-HALF SIZE

41327



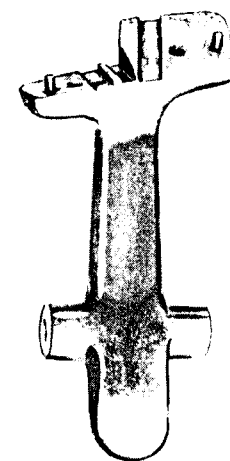
41326



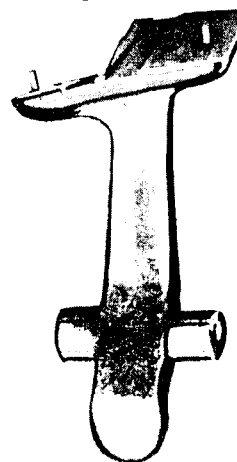
41328



41330



41818



41331

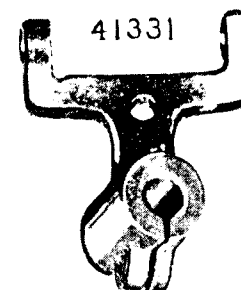


PLATE 5586—FULL SIZE

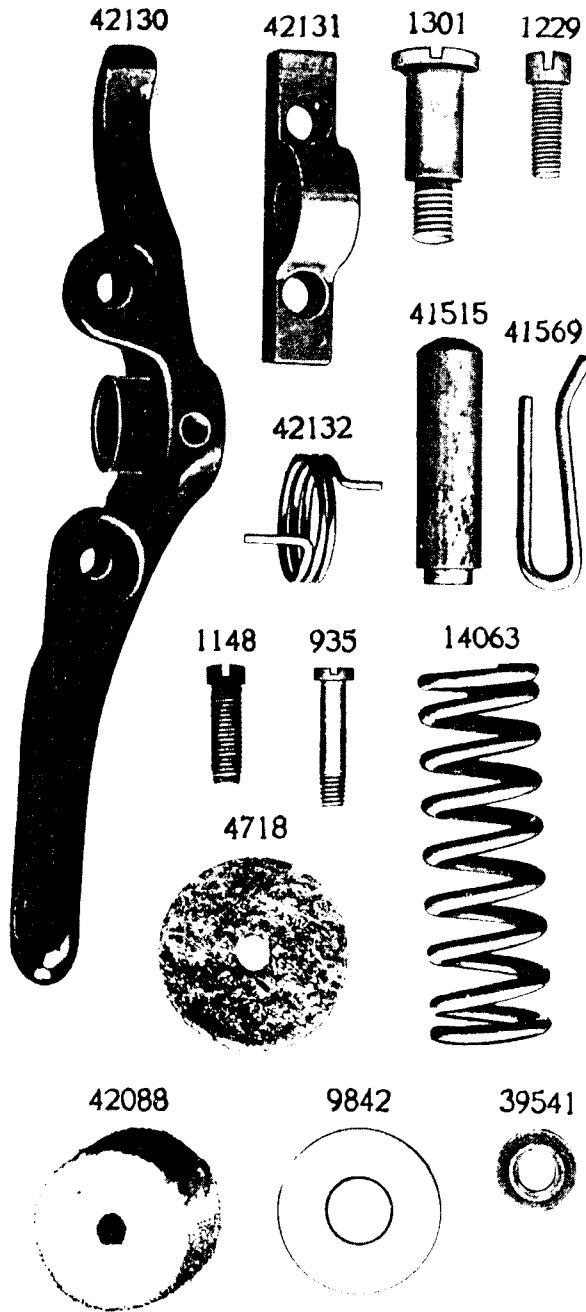


PLATE 5592—FULL SIZE

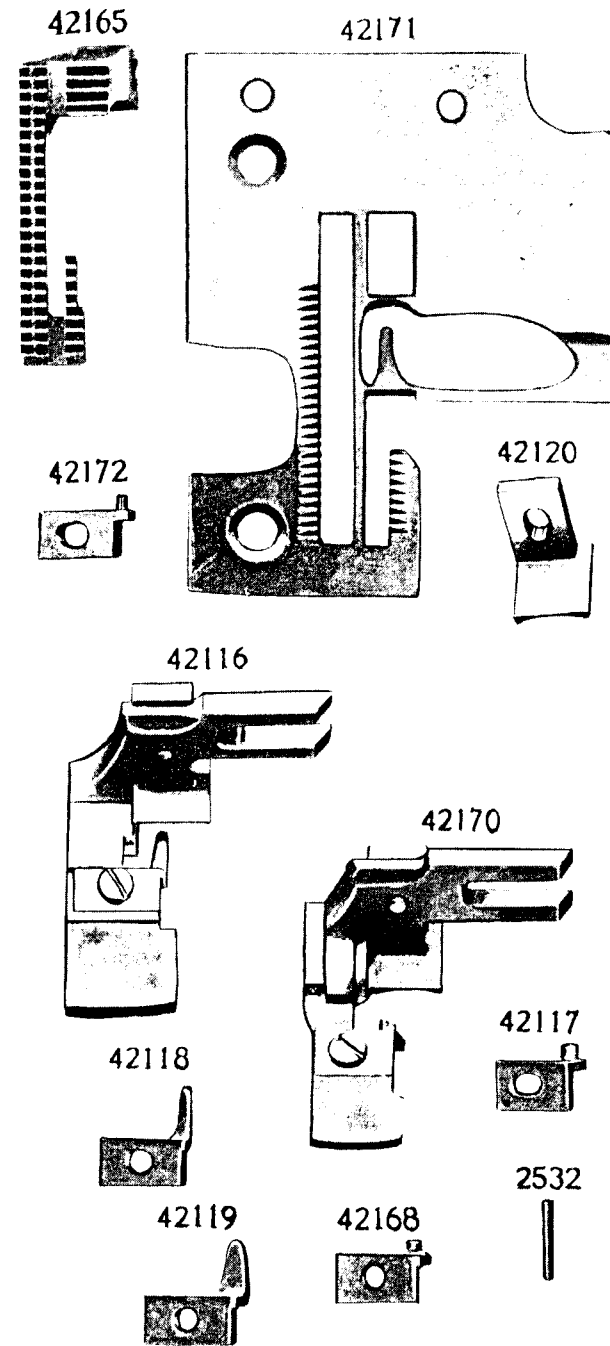


PLATE 5595—FULL SIZE

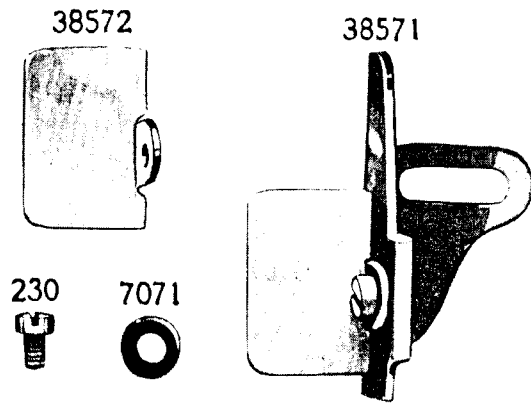
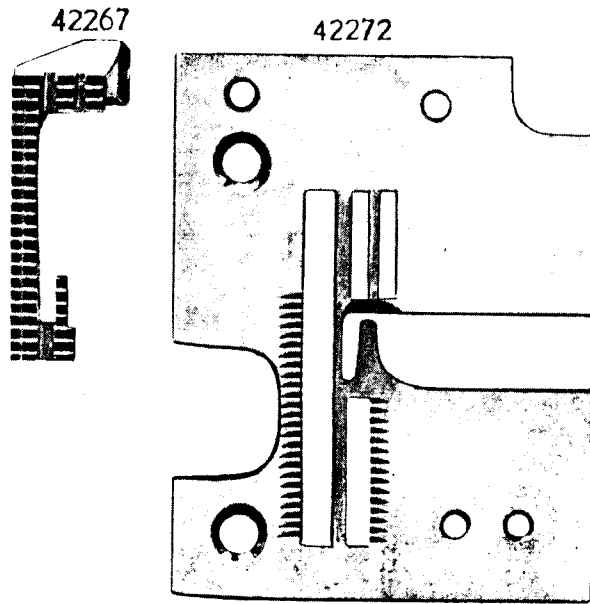


PLATE 5596—FULL SIZE

