

SINGER
791D100A,D200A

MACHINE PARTS CHART

for

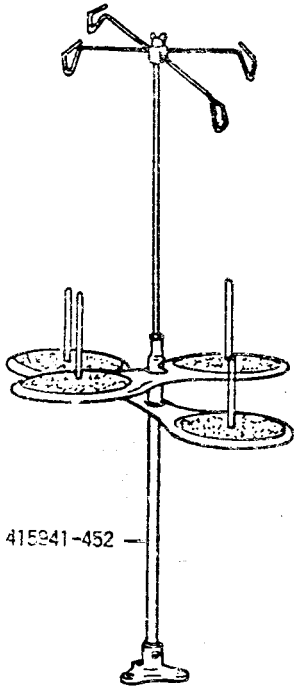
SINGER*

791 D100A

791 D200A

ACCESSORIES

CAT. 3651-05



415941-452

415966

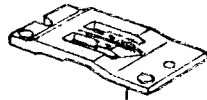
415967



544208-001

792D 100A-NEEDLE GAUGE 3/16" (4.8mm)

415971-012



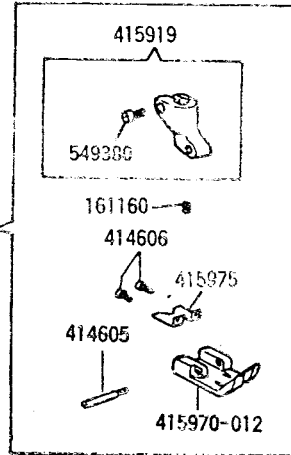
156723-012



156722



518204



415919

549380

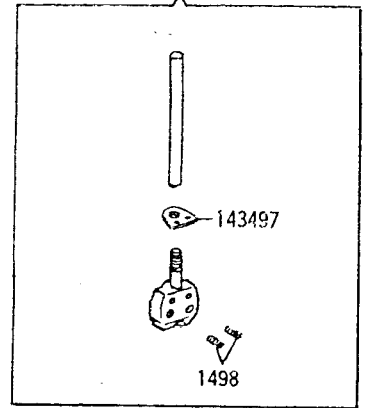
161160

414606

415975

414605

415970-012



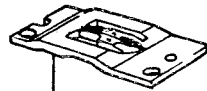
143497



1498

792D 100A-NEEDLE GAUGE 1/4" (6.4mm)

415971-016



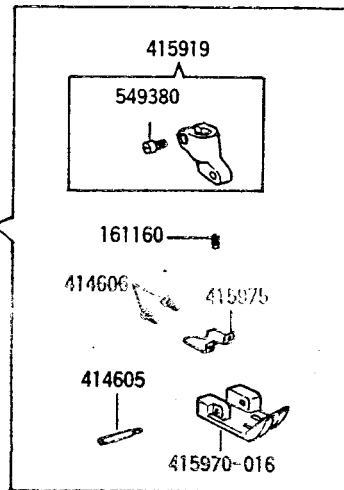
156964



157190



518203



415919

549380

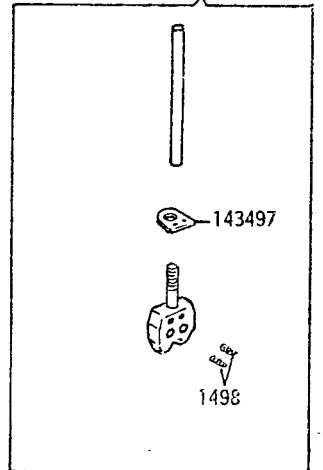
161160

414606

415975

414605

415970-016



143497



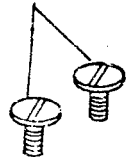
1498

AVAILABLE AT EXTRA CHARGE

792D 200A / 300A-NEEDLE GAUGE 3/16" (4.8mm)

415971-012

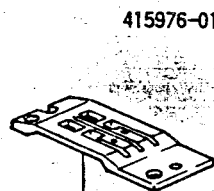
109051-823



156058



415974-003 (200A) (MH)
415974-012 (300A) (H)



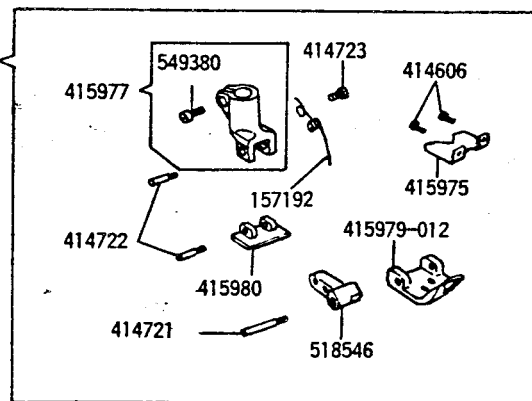
518550



518551



518204



415976-012

415977

549380

414723

414606

157192

415975

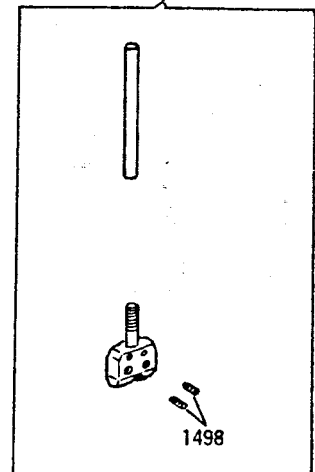
414722

415980

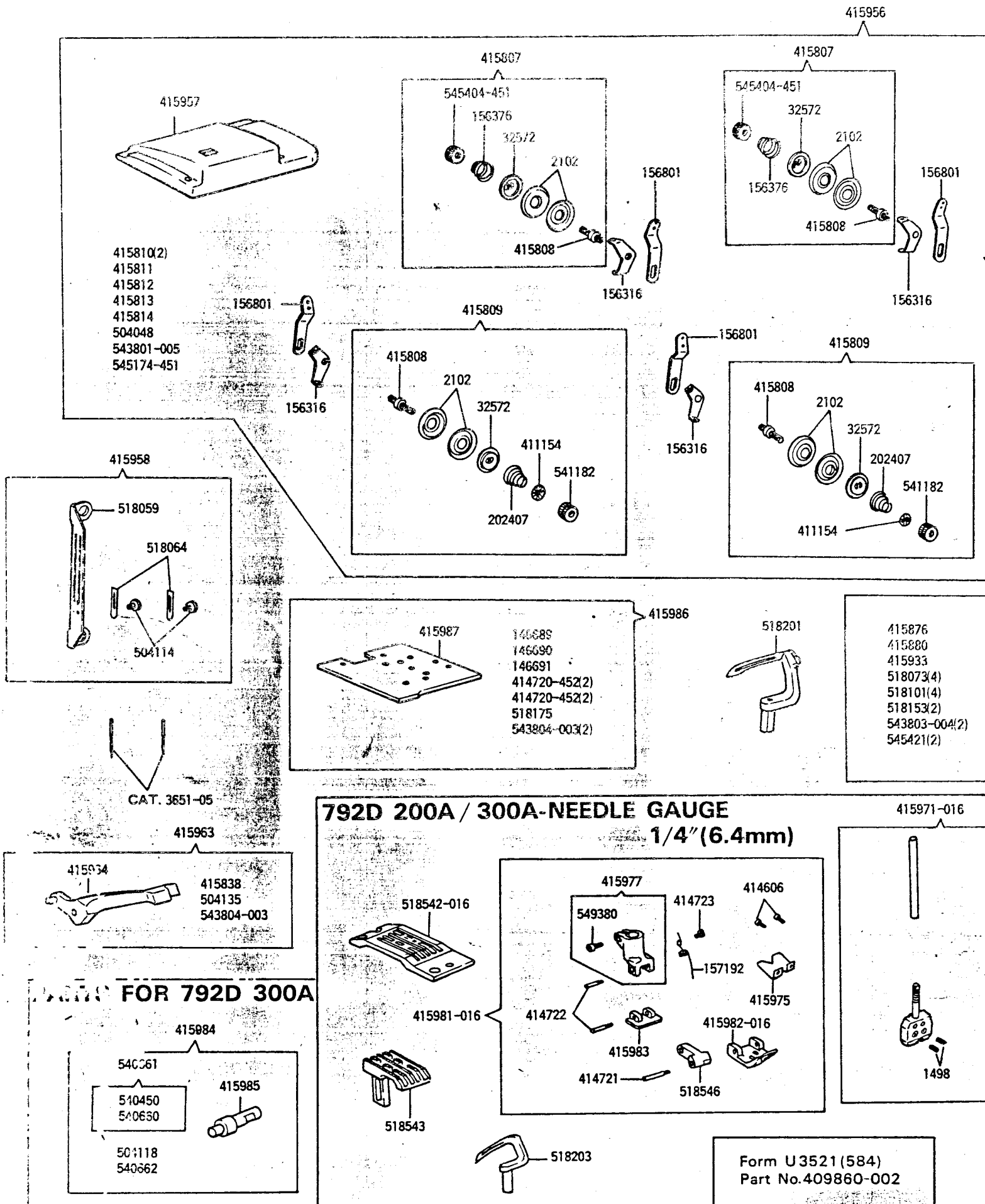
415979-012

414721

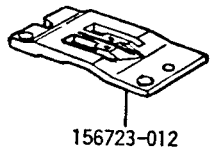
518546



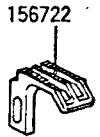
1498



792D 100A-NEEDLE GAUGE 3/16" (4.8mm)



156723-012

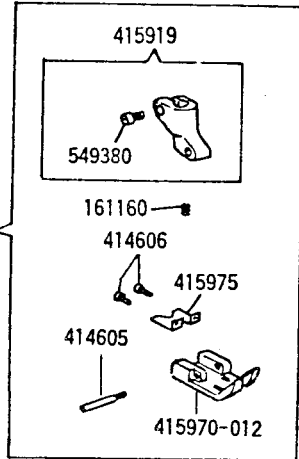


156722



518204

415969-012



415919

549380

161160

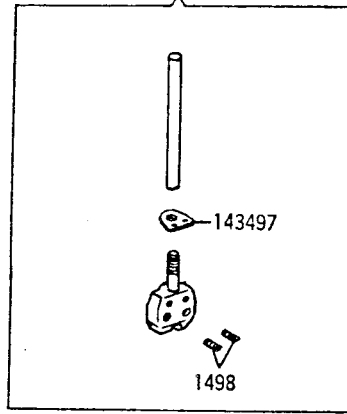
414606

415975

414605

415970-012

415971-012

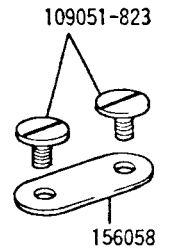


143497



1498

AVAILABLE AT EXTRA CHARGE



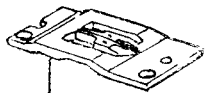
109051-823

156058



415974-003 (M)

792D 100A-NEEDLE GAUGE 1/4" (6.4mm)



156964

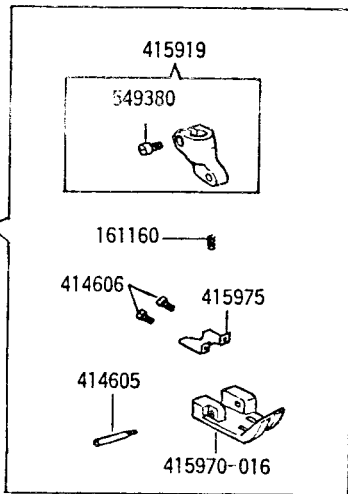


157190



518203

415969-016



415919

549380

161160

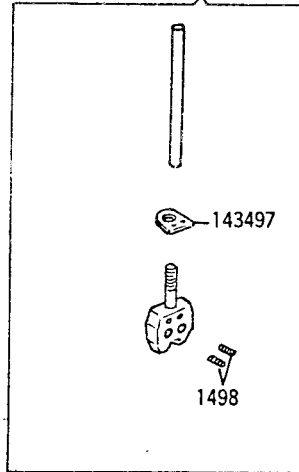
414606

415975

414605

415970-016

415971-016

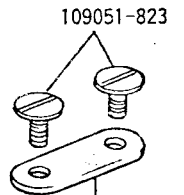


143497



1498

AVAILABLE AT EXTRA CHARGE



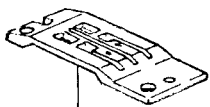
109051-823

156058

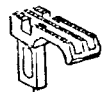


415974-004 (M)

792D 200A / 300A-NEEDLE GAUGE 3/16" (4.8mm)



518550

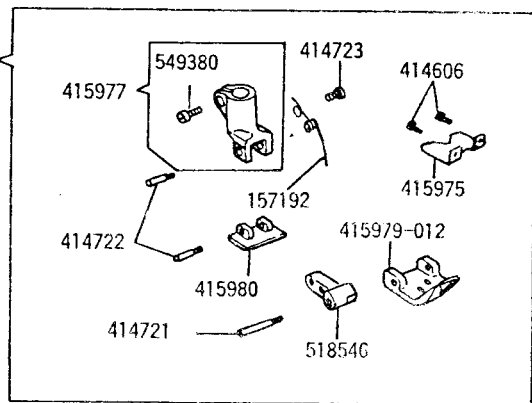


518551



518204

415976-012



415977

549380

414723

414606

415975

414722

415980

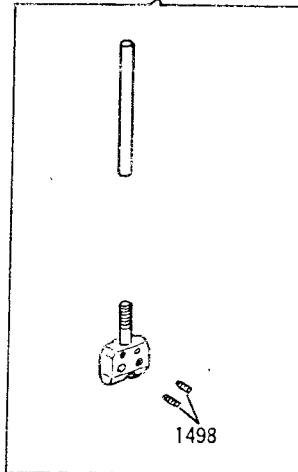
415979-012

518546

157192

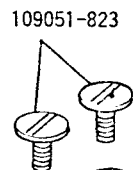
414721

415971-012



1498

AVAILABLE AT EXTRA CHARGE



109051-823

156058



415974-007 (200A) (MH)
415974-011 (300A) (H)

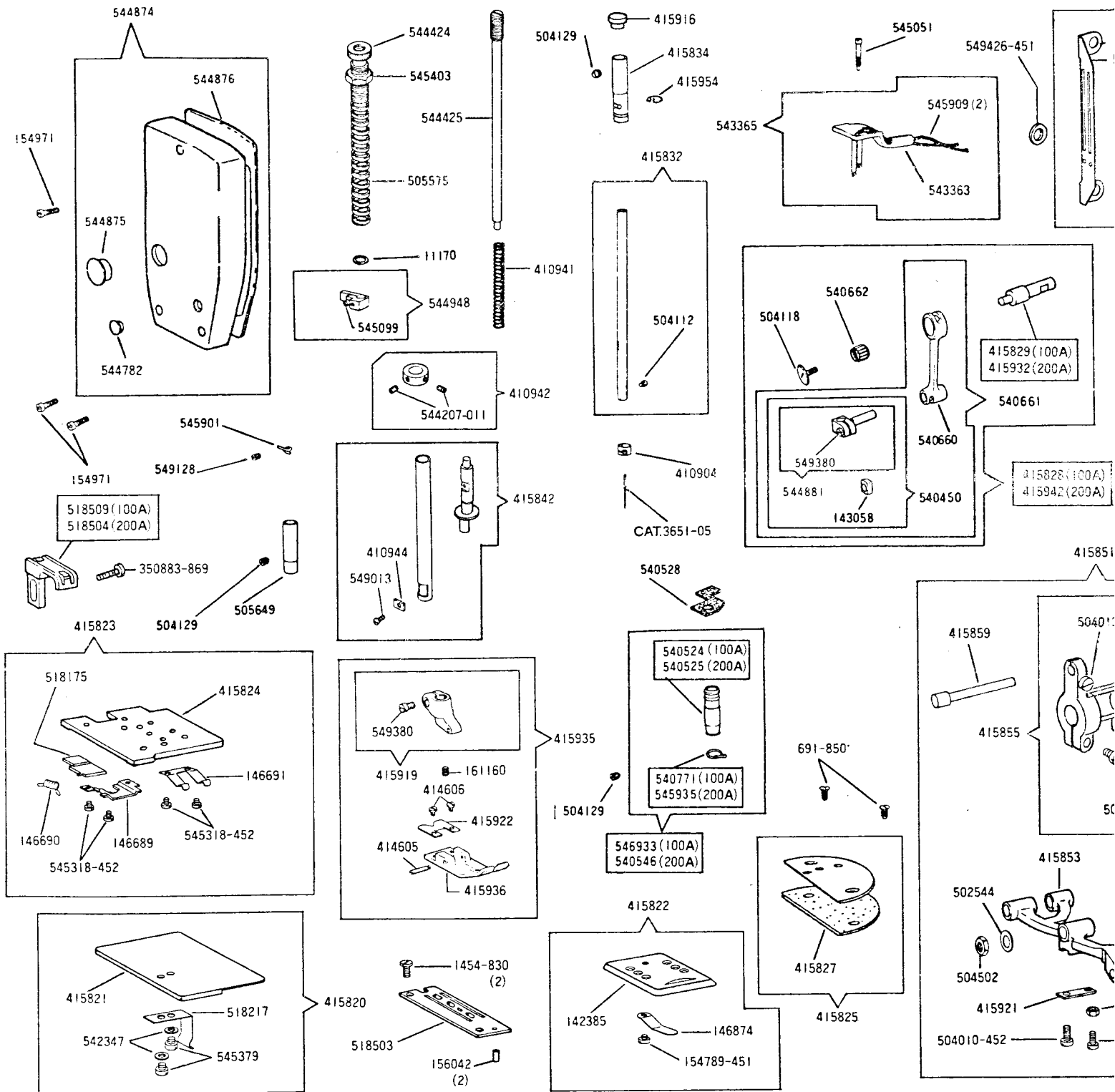
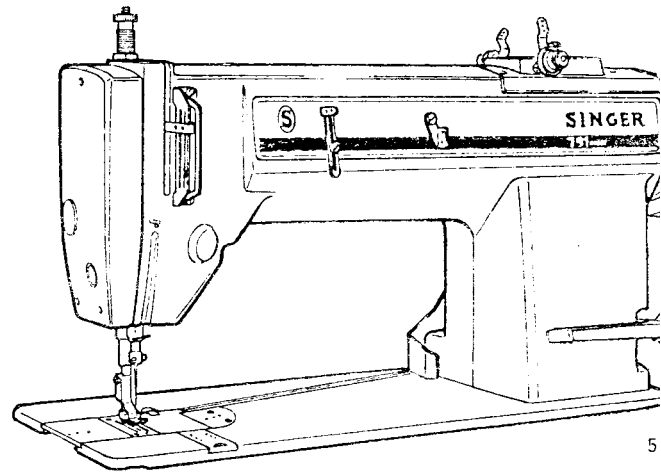
| PART NO. | DESCRIPTION | PART NO. | DESCRIPTION |
|------------|--|--------------|--|
| 1498 | Needle Set Screw (2) | 415982-016 | Presser Foot Plate (front) (for 200/300A) |
| 2102 | Looper Thread Tension Disc (4) | 415983 | Presser Foot Plate (back) (for 200/300A) |
| 2102 | Needle Thread Tension Disc (4) | 415984 | Needle Bar Eccentric Stud and Needle Bar Connecting Link Complete, Nos. 415985, 504118, 540661 and 540662 (for 300A) |
| 32572 | Looper Thread Tension Presser Disc (2) | | |
| 32572 | Needle Thread Tension Releasing Disc (2) | 415985 | Needle Bar Eccentric Stud (for 300A) |
| 143497 | Needle Bar Thread Guard (for 100A) | 415986 | Looper Cover Plate (large) Complete, Nos. 146689 to 146691, 415987, 518175, two 543804-003 and four 414720-452 |
| 156316 | Looper Thread Guide (2) | | |
| 156316 | Needle Thread Guide (2) | 415987 | Looper Cover Plate (large) |
| 156376 | Looper Thread Tension Spring (2) | 504114 | Thread Guide Stop Set Screw (2) |
| 156722 | Feed Dog (22 teeth per inch) (for 100A) | 518059 | Thread Guide |
| 156723-012 | Throat Plate (for 100A) | 518064 | Thread Guide Stop (2) |
| 156801 | Looper Thread Guide (2) | 518201 | Looper (back) |
| 156801 | Needle Thread Guide (2) | 518203 | Looper (front) |
| 156964 | Throat Plate (for 100A) | 518204 | Looper (front) |
| 157190 | Feed Dog (22 teeth per inch) (for 100A) | 518542-016 | Throat Plate (for 200/300A) |
| 157192 | Presser Foot Plate (back) Spring (for 200/300A) | 518543 | Feed Dog (12 teeth per inch) (for 200/300A) |
| 161160 | Presser Foot Spring (for 100A) | 518546 | Presser Foot Plate Connection (for 200/300A) |
| 202407 | Needle Thread Tension Spring (2) | 518550 | Throat Plate (for 200/300A) |
| 411154 | Needle Thread Tension Stud Nut Washer (2) | 518551 | Feed Dog (15 teeth per inch) (for 200/300A) |
| 414605 | Presser Foot Screw Stud (for 100A) | 541182 | Needle Thread Tension Stud Nut (2) |
| 414606 | Chain Cutter Screw (2) | 544208-001 | Looper Set Screw (2) |
| 414721 | Presser Foot Screw Stud (for 200/300A) | 545404-451 | Looper Thread Tension Stud Nut (2) |
| 414722 | Presser Foot Screw Stud (2) (for 200/300A) | 549380 | Presser Foot Clamping Screw |
| 414723 | Presser Foot Plate (back) Spring Retainer Screw (for 200/300A) | CAT. 3651-05 | Needle (#14) (2) (for 100A) |
| 415807 | Looper Thread Tension Complete (2) | CAT. 3651-05 | Needle (#16) (2) (for 200A) |
| 415808 | Looper Thread Tension Stud (2) | CAT. 3651-05 | Needle (#19) (2) (for 300A) |
| 415808 | Needle Thread Tension Stud (2) | | |
| 415809 | Needle Thread Tension Complete (2) | | |
| 415813 | Needle Thread Tension Release Arm | | |
| 415814 | Needle Thread Tension Release Pivot Stud | | |
| 415919 | Presser Foot (shank) with 549380 (for 100A) | | |
| 415956 | Arm Top Cover and Tension Complete, Nos. 415811 to 415814, 414957, 504048, 543801-005, 545175-451, two Each 415807, 415809 and 415810, four Each 156316 and 156801 | 415941-452 | Thread Unwinder Complete (for four spools) |
| 415957 | Arm Top Cover | CAT. 3651-05 | Needle (#14) (4) (for 100A) |
| 415958 | Thread Guide Complete | CAT. 3651-05 | Needle (#16) (4) (for 200A) |
| 415963 | Needle Guide and Bracket Complete, Nos. 415838, 415964, 504135 and 543804-003 | CAT. 3651-05 | Needle (#19) (4) (for 300A) |
| 415964 | Needle Guide Complete | | |
| 415966 | Looper Frame with Looper Lever and Driving Lever Complete, Nos. 415876, 415880, 415933, two Each 518153, 543803-004 and 545421, four Each 518073 and 518101 | 109051-823 | Lap Seam Feller Clamping Screw |
| 415967 | Looper Lever with two 544208-001 | 156058 | Lap Seam Feller Clamping Plate |
| 415969-012 | Presser Foot Complete, Nos. 161160, 414605, 415919, 415970-012, 415975 and two 414606 (for 100A) | 415974-003 | Lap Seam Feller Complete (3/16M) (for 100A) |
| 415969-016 | Presser Foot Complete, Nos. 161160, 414605, 415919, 415970-016, 415975 and two 414606 (for 100A) | 415974-004 | Lap Seam Feller Complete (1/4 M) (for 100A) |
| 415970-012 | Presser Foot Plate (for 100A) | 415974-007 | Lap Seam Feller Complete (3/16 MH) (for 200A) |
| 415970-016 | Presser Foot Plate (for 100A) | 415974-008 | Lap Seam Feller Complete (1/4 MH) (for 200A) |
| 415971-012 | Needle Bar with Holder, 143497 and two 1498 (for 100A) | 415974-011 | Lap Seam Feller Complete (3/16 H) (for 300A) |
| 415971-012 | Needle Bar with Holder and two 1498 (for 200/300A) | 415974-012 | Lap Seam Feller Complete (1/4 H) (for 300A) |
| 415971-016 | Needle Bar with Holder, 143497 and two 1498 (for 100A) | | |
| 415971-016 | Needle Bar with Holder and two 1498 (for 200/300A) | | |
| 415975 | Chain Cutter | | |
| 415976-012 | Presser Foot (triple hinged) Complete, Nos. 157192, 414606, 414721, 414723, 415975, 415977, 415979-012, 415980, 518546 and two 414722 (for 200/300A) | | |
| 415977 | Presser Foot (Shank) with 549380 (for 200/300A) | | |
| 415979-012 | Presser Foot Plate (front) (for 200/300A) | | |
| 415980 | Presser Foot Plate (back) (for 200/300A) | | |
| 415981-016 | Presser Foot (triple hinged) Complete, Nos. 157192, 414606, 414721, 414723, 415975, 415977, 415982-016, 415983, 518546 and two 414722 (for 200/300A) | | |

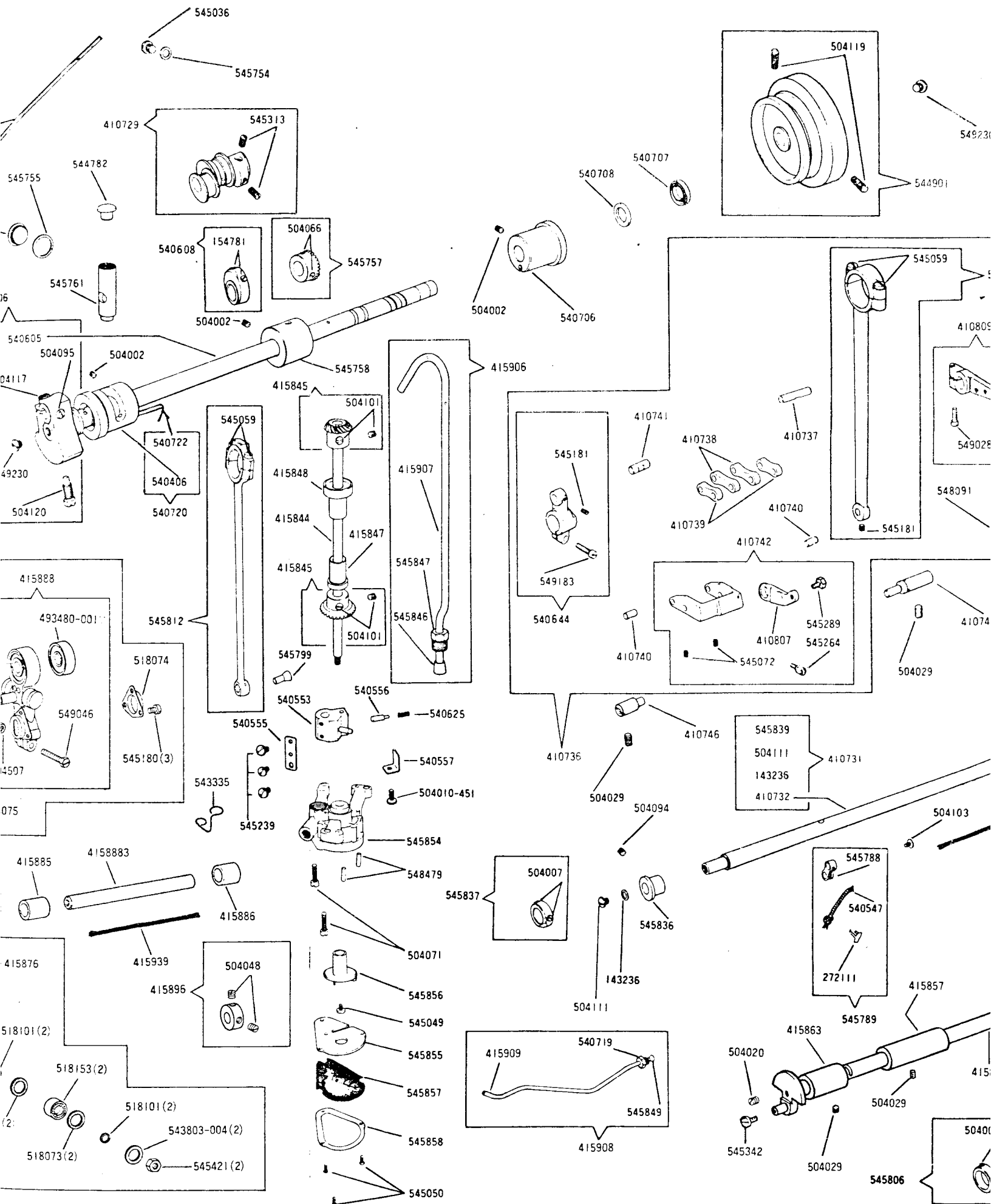
ACCESSORIES

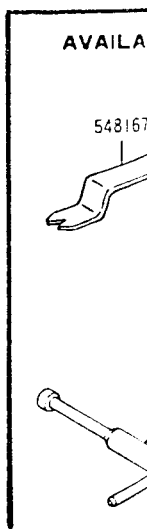
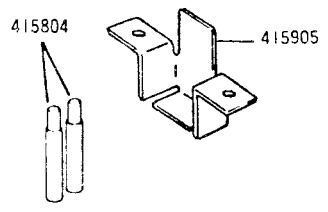
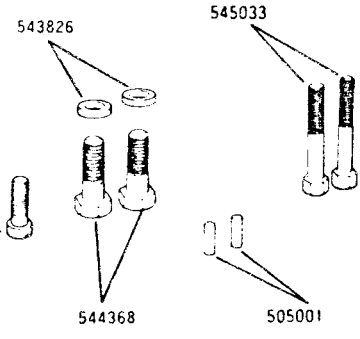
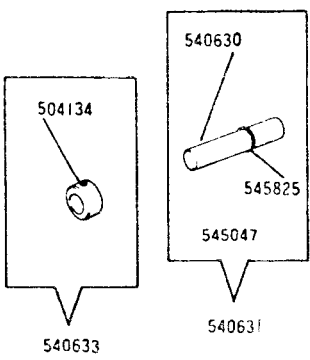
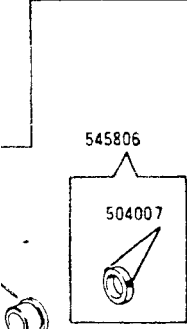
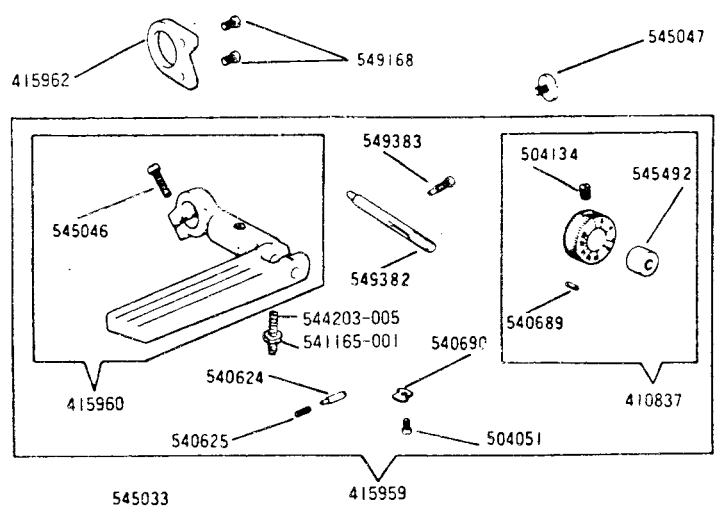
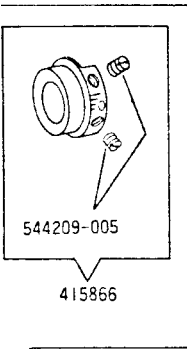
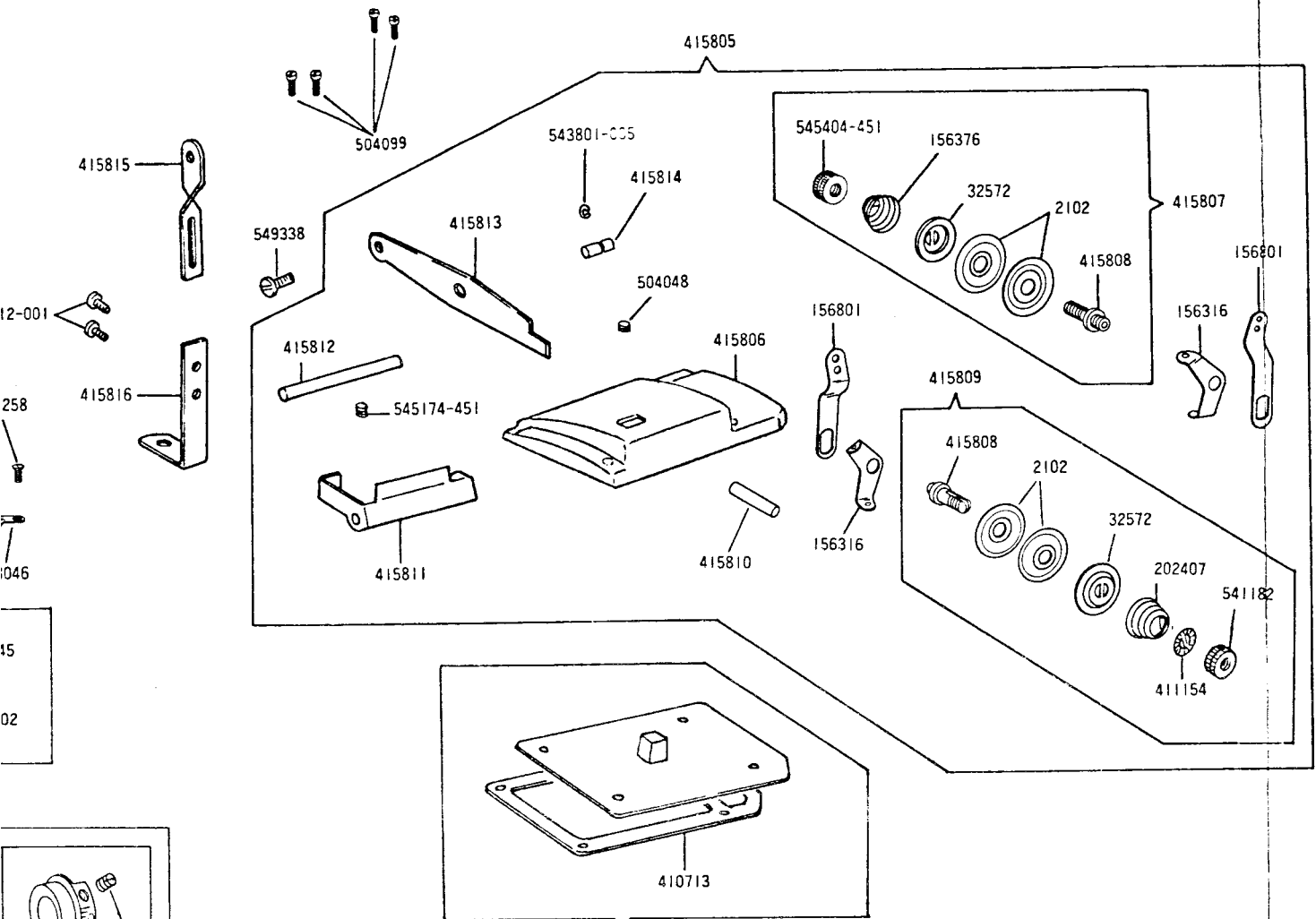
AVAILABLE AT EXTRA CHARGE

SINGER*

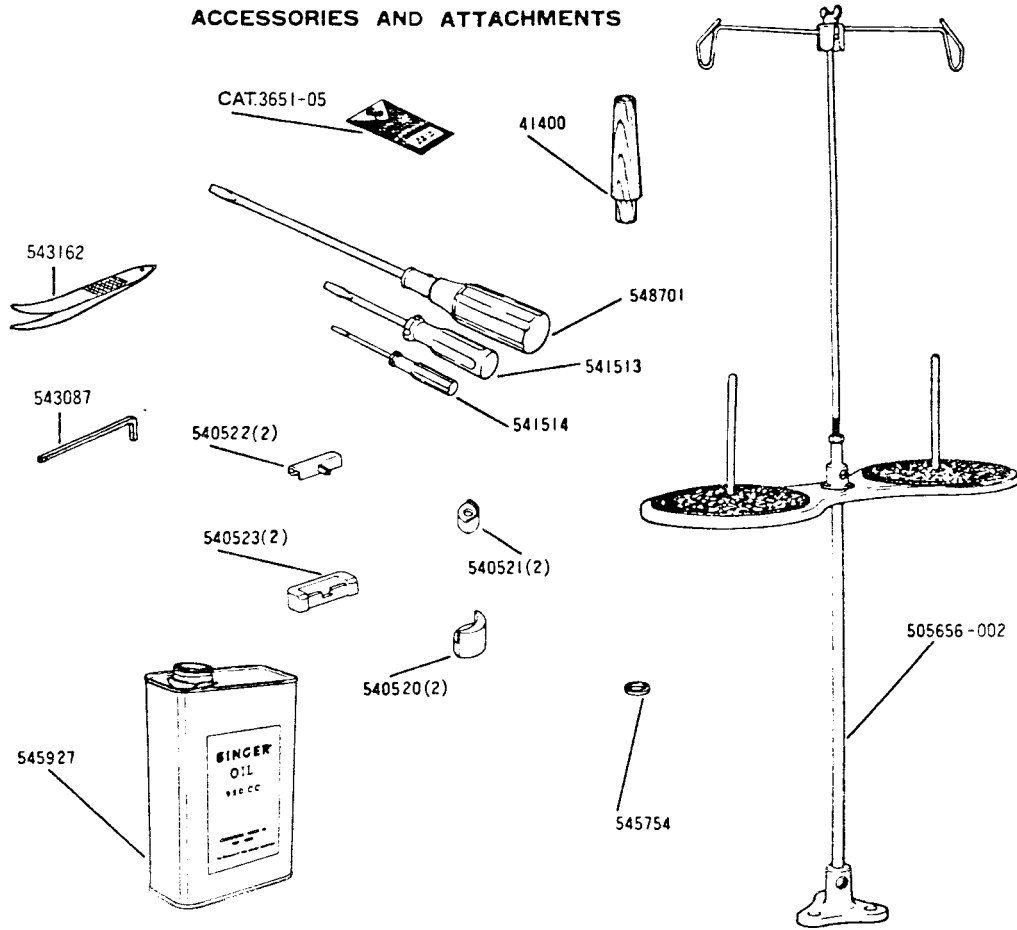
791 D100A/200A



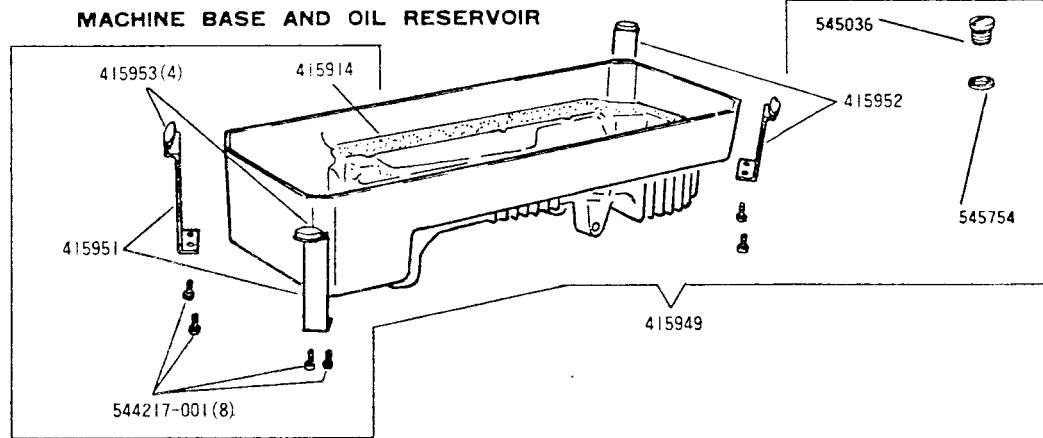




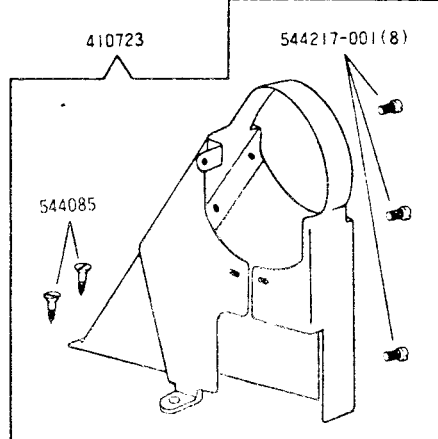
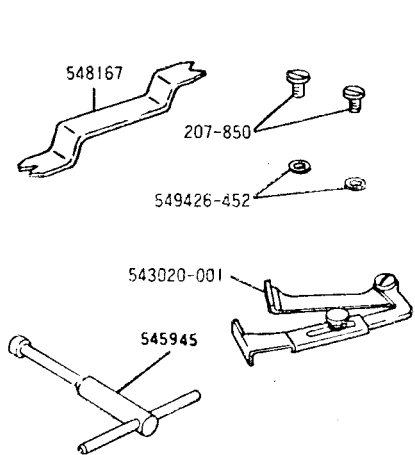
ACCESSORIES AND ATTACHMENTS



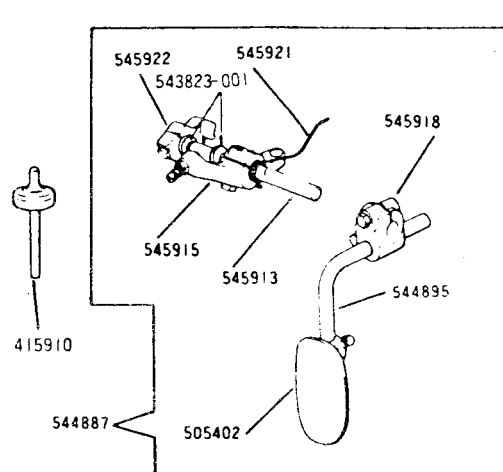
MACHINE BASE AND OIL RESERVOIR



AVAILABLE AT EXTRA CHARGE



KNEE LIFTER PARTS



NUMERICAL LIST OF PARTS FOR MACHINE 791D100A/200A

| PART NO. | DESCRIPTION | PART NO. | DESCRIPTION |
|------------|---|----------|--|
| 691-850 | Looper Cover Plate (small) Screw (2) | 415808 | Needle Thread Tension Stud |
| 691-850 | Looper Tension Bracket Screw (2) | 415809 | Needle Thread Tension Complete, Nos. 32572, 202407, 411154, 415808, 541182 and two 2102 |
| 1454-830 | Throat Plate Screw (2) | 415810 | Needle Thread Tension Releasing Pin |
| 2102 | Looper Thread Tension Disc (2) | 415811 | Needle Thread Tension Release Rocker Plate |
| 2102 | Needle Thread Tension Disc (2) | 415812 | Needle Thread Tension Release Shaft |
| 11170 | Presser Bar Spring Washer | 415813 | Needle Thread Tension Release Arm |
| 16380 | Oil Removing Lint Screen | 415814 | Needle Thread Tension Release Pivot Stud |
| 32572 | Looper Thread Tension Presser Disc | 415815 | Tension Release Connecting Link (top) |
| 32572 | Needle Thread Tension Releasing Disc | 415816 | Tension Release Connecting Link (bottom) |
| 141339 | Looper Tension Shoulder Screw | 415817 | Tension Release Cover with Oil Sight Glass and 410713 |
| 142385 | Slide Plate | 415820 | Slide Plate (left) Complete, Nos. 415821, 518217, 542347 and 545379 |
| 143058 | Needle Bar Connecting Stud Slide Block | 415821 | Slide Plate (left) |
| 143236 | Feed Lifting Rock Shaft Oil Plug Screw Washer | 415822 | Slide Plate Complete, Nos. 142385, 146874 and 154789-451 |
| 143236 | Feed Rock Shaft Oil Plug Screw Washer | 415823 | Looper Cover Plate (large) Complete |
| 146610 | Presser Bar Lifting Lever Spring | 415824 | Looper Cover Plate (large) |
| 146689 | Looper Cover Plate (large) Latch Guide | 415825 | Looper Cover Plate (small) with 415827 |
| 146690 | Looper Cover Plate (large) Latch Guide Spring | 415827 | Looper Cover Plate (small) Gasket |
| 146691 | Looper Cover Plate (large) Leaf Spring | 415828 | Thread Take-up Crank 415829 with 540661, 540662 and 504118 (for 100A) |
| 146874 | Slide Plate Spring | 415829 | Thread Take-up Crank (needle bar stroke 27 mm) (for 100A) |
| 154781 | Arm Shaft (horizontal) Thrust Collar Set Screw (2) | 415830 | Thread Take-up Arm 415831 with 504010-452 and 541178 |
| 154781 | Presser Bar Lifting Lever Pin Set Screw | 415831 | Thread Take-up Arm |
| 154789-451 | Slide Plate Spring Set Screw | 415832 | Needle Bar (hollow) with 504112 |
| 154971 | Face Plate Screw (3) | 415834 | Needle Bar Bushing (upper) |
| 154983 | Presser Bar Lifting Lever Connecting Rod Nut (2) | 415835 | Needle Guide and Bracket Complete, Nos. 415836, 415838, 504135 and 543804-003 |
| 156042 | Throat Plate Support Pin (2) | 415836 | Needle Guide Complete |
| 156316 | Looper Thread Guide | 415838 | Needle Guide Bracket |
| 156316 | Needle Thread Guide | 415839 | Needle Guide (front) |
| 156376 | Looper Thread Tension Spring | 415840 | Needle Guide Frame with 350883-869 and two 544202-002 |
| 156528 | Looper Tension Pressure Spring | 415842 | Presser Bar with Foot Extension, 410944 and 549013 |
| 156801 | Looper Thread Guide | 415844 | Arm Shaft (upright) |
| 156801 | Needle Thread Guide | 415845 | Arm Shaft (upright) Bevel Gear (lower) Left Hand Spiral with two 504101 |
| 161160 | Presser Foot Spring | 415845 | Arm Shaft (upright) Bevel Gear (upper) Left Hand Spiral with two 504101 |
| 202407 | Needle Thread Tension Spring | 415847 | Arm Shaft (upright) Bushing (lower) |
| 272111 | Feed Bar Connecting Link Oil Wick Clamp | 415848 | Arm Shaft (upright) Bushing (upper) |
| 350881-869 | Looper Avoid Driving Arm Clamping Screw | 415849 | Feed Lifting Rock Shaft Complete, Nos. 143236, 415850, 504111 and 545810 |
| 350881-869 | Looper Avoid Pivot Shaft (right) Clamping Screw | 415850 | Feed Lifting Rock Shaft |
| 350881-869 | Looper Drive Crank Clamping Screw | 415851 | Feed Dog Carrier Complete, Nos. 415852, 415853, 414603, 415855, 415858, 415859, 415921, 502544, 504010-452, 504502, 541178 and 545040 |
| 350883-869 | Feed Dog Screw | 415852 | Feed Dog Holder |
| 350883-869 | Needle Guide (front) Frame Screw | 415853 | Feed Dog Carrier |
| 350944-451 | Looper Drive Crank Clamping Screw | 415855 | Feed Bar Carrier with three 504013 |
| 409213 | Looper Thread Guide Wave Washer (2) | 415857 | Looper Drive Shaft Bushing (enter) |
| 410713 | Tension Release Cover Gasket | 415858 | Feed Bar Carrier Oil Wick (felt) |
| 410718 | Presser Bar Lifting Lever with 154781 | 415859 | Feed Bar Carrier Hinge Pin |
| 410720 | Feed Reverse Lever Hinge Stud Flanged Bushing | 415860 | Looper Drive Shaft (eccentric) |
| 410725 | Presser Bar Lifting Lever Connecting Rod | 415861 | Looper Drive Shaft Bevel Gear with two 504101 |
| 410729 | Feed and Feed Lifting Eccentric with two 545313 | 415863 | Looper Drive Shaft Bushing (left) |
| 410731 | Feed Rock Shaft Complete, Nos. 143236, 410732, 504111 and 545839 | 415864 | Looper Drive Shaft Bushing (right) |
| 410732 | Feed Rock Shaft | 415865 | Looper Drive, Transverse, Complete, Nos. 415866, 415868, 415870, 415871, 415872 and 415874 |
| 410736 | Feed Rock Shaft Driving Frame Complete, Nos. 410737, 410741, 410742, 410808, 410809, 540639, 540644, 540648, 544394, 545264, 548091, two each 410738 to 410740 and 549288 | 415866 | Looper Avoid Eccentric (inner race) with two 544209-005 |
| 410737 | Feed Rock Shaft Crank Connecting Rod Pin | 415868 | Looper Avoid Eccentric (outer race) with 404604 |
| 410738 | Feed Rock Shaft Driving Link (large) (2) | 415870 | Looper Avoid Eccentric Bearing |
| 410739 | Feed Rock Shaft Driving Link (small) (2) | 415871 | Looper Avoid Eccentric (core) |
| 410740 | Feed Rock Shaft Driving Link (small) Pin (2) | 415872 | Looper Avoid Driving Arm with 350881-869 and 504029 |
| 410741 | Feed Rock Shaft Crank Pin | 415874 | Looper Avoid Driving Arm Pivot Pin |
| 410742 | Feed Rock Shaft Driving Frame with 410807 545289 and two 545072 | 415875 | Looper Frame with Looper Lever and Driving Lever Complete, Nos. 415876, 415878, 415880, 415933, two each 518153, 543803-004, 545421, four each 518073 and 518101 |
| 410745 | Feed Rock Shaft Driving Frame Hinge Pin (back) | 415876 | Looper Frame with 350881-869, 549086, two each 504029, 504507 and 549046 |
| 410746 | Feed Rock Shaft Driving Frame Hinge Pin (front) | 415878 | Looper Lever with 544208-001 |
| 410774 | Arm Side Shield | 415880 | Looper Drive Crank with 350881-869 and 350944-451 |
| 410807 | Feed Rock Shaft Driving Frame Extension Arm | 415882 | Looper Avoid Pivot Shaft (left) |
| 410808 | Feed Reverse Lever Hinge Stud Crank Connecting Link | 415883 | Looper Avoid Pivot Shaft (right) |
| 410809 | Feed Reverse Lever Hinge Stud Crank with 549028 | 415884 | Looper Avoid Pivot Shaft Bushing (left) |
| 410837 | Feed Regulating Dial with 50134, 540689 and 545492 | 415885 | Looper Avoid Pivot Shaft Bushing (center) |
| 410904 | Needle Bar Thread Guard | 415886 | Looper Avoid Pivot Shaft Bushing (right) |
| 410941 | Presser Foot Spring (compression) | 415887 | Looper Drive Connecting Link with Ball Joint Complete |
| 410942 | Presser Foot Collar with two 544207-011 | 415888 | Looper Drive Connecting Link Complete |
| 410944 | Presser Foot Retainer | 415894 | Thread Puller with 541165-001 and 544212-052 |
| 411154 | Needle Thread Tension Stud Nut Washer | | |
| 414603 | Regulating Screw | | |
| 414604 | Looper Avoid Driving Arm Pivot Pin Screw | | |
| 414605 | Presser Foot Screw Stud | | |
| 414606 | Chain Cutter Screw (2) | | |
| 414639 | Looper Thread Guide Screw | | |
| 415804 | Bed Leg (left) (2) | | |
| 415805 | Arm Top Cover and Tension Complete, Nos. 415806, 415807, 415809 to 415814, 504048, 543801-005, 545174-451, two each 156316 and 156801 | | |
| 415806 | Arm Top Cover | | |
| 415807 | Looper Thread Tension Complete, Nos. 32572, 156376, 415808, 545404-451 and two 2102 | | |
| 415808 | Looper Thread Tension Stud | | |

NUMERICAL LIST OF PARTS FOR MACHINE 791D100A/200A

| PART NO. | DESCRIPTION | PART NO. | DESCRIPTION |
|------------|--|----------|--|
| 415896 | Looper Avoid Pivot Shaft (right) Collar with two 504048 | 504119 | Machine Pulley Set Screw (2) |
| 415898 | Looper Thread Guard | 504120 | Needle Bar Crank Position Screw |
| 415899 | Looper Thread Guide (2) | 504125 | Needle Bar Bushing (lower) Set Screw |
| 415900 | Looper Thread Guide Driver Screw (4) | 504129 | Needle Bar Bushing (upper) Set Screw |
| 415901 | Looper Tension Bracket Complete, Nos. 141339, 156528, 415902, two each 518042 and 518045 | 504129 | Presser Bar Bushing Set Screw |
| 415902 | Looper Tension Bracket | 504134 | Feed Regulating Dial Set Screw |
| 415903 | Looper Tension Thread Deflector (left) | 504134 | Feed Reverse Lever Hinge Stud Collar Set Screw |
| 415904 | Looper Tension Thread Deflector (right) | 504135 | Needle Guide Screw |
| 415905 | Bed Leg (right) | 504145 | Oil Removing Tube Retaining Clamp Screw |
| 415906 | Oil Pipe 415907 with 545846 and 545847 | 504502 | Feed Dog Holder Nut |
| 415907 | Oil Pipe | 504507 | Looper Drive Crank Ball Joint Clamping Screw Nut |
| 415908 | Oil Pipe 415909 with 540719 and 545849 | 505001 | Looper Lever Threaded Stud Bushing Screw Nut (2) |
| 415909 | Oil Pipe | 505402 | Arm Dowel Pin (2) |
| 415916 | Needle Bar Bushing (upper) Plug | 505575 | Rock Shaft Knee Arm Plate Complete |
| 415919 | Presser Foot (shank) with 549380 | 505649 | Presser Bar Spring |
| 415921 | Feed Dog Adjusting Screw Strap | 505679 | Presser Bar Bushing |
| 415922 | Chain Cutter | 518001 | Looper |
| 415923 | Feed Reverse Lever Spring Retainer Stud | 518040 | Looper Thread Guide (right) Complete |
| 415927 | Looper Drive Crank Ball Joint Complete | 518042 | Looper Tension Plate (2) |
| 415930 | Oil Removing Tube Complete | 518043 | Looper Thread Guide (2) |
| 415932 | Thread Take-up Crank (needle bar stroke 30 mm) (for 200A) | 518045 | Looper Tension Thread Guide (2) |
| 415933 | Looper Lever Thread Stud | 518046 | Looper Thread Guide (left) |
| 415934 | Looper Thread Guide Screw | 518049 | Looper Thread Guide Bushing |
| 415935 | Presser Foot (spring hinged) and Chain Cutter Complete, Nos. 161160, 414605, 415919, 415922, 415936 and two 414606 | 518058 | Finger Guard |
| 415936 | Presser Foot (plate) | 518059 | Thread Guide |
| 415939 | Looper Avoid Pivot Shaft (right) Oil Wick | 518062 | Thread Guide |
| 415942 | Thread Take-up Crank 415932 with 540661, 540662 and 504118 (for 200A) | 518063 | Thread Guide |
| 415954 | Oil Wick Retainer | 518064 | Thread Guide Stop |
| 415959 | Feed Reverse Lever and Feed Regulating Dial Complete, Nos. 410837, 504051, 540624, 540625, 415960, 540690, 541165-001, 544203-005, 549382 and 549383 | 518073 | Looper Lever Threaded Stud Washer (felt) (4) |
| 415960 | Feed Reverse Lever with 545046 | 518074 | Shield (right) Complete |
| 415962 | Feed Regulating Plate | 518075 | Shield (left) Complete |
| 493480-001 | Looper Drive Connecting Link Ball Bearing (2) | 518101 | Looper Lever Threaded Stud Ring (4) |
| 502544 | Feed Dog Holder Washer | 518139 | Looper Washer (0.3 mm) |
| 504002 | Arm Shaft (horizontal) Bushing (center) Set Screw | 518140 | Looper Washer (0.5 mm) |
| 504002 | Arm Shaft (horizontal) Flanged Bushing (back) Set Screw | 518153 | Looper Lever Threaded Stud Bushing with Ball Bearing Complete (2) |
| 504002 | Arm Shaft (horizontal) Flanged Bushing (front) Set Screw | 518158 | Thread Guide 518059 with 518064 and 504114 |
| 504002 | Looper Drive Shaft Bushing (right) Set Screw | 518175 | Looper Cover Plate (large) Latch Complete |
| 504007 | Feed Lifting Rock Shaft Collar Set Screw (4) | 518217 | Slide Plate (left) Spring |
| 504007 | Feed Rock Shaft Collar Set Screw (2) | 518503 | Throat Plate |
| 504010-451 | Arm Side Shield Screw | 518509 | Feed Dog (20 teeth per inch) |
| 504010-451 | Finger Guard Set Screw | 540406 | Arm Shaft (horizontal) Flanged Bushing (front) |
| 504010-451 | Oil Removing Pump Piston Spring Bracket Set Screw | 540450 | Needle Bar Connecting Stud and Slide Block |
| 504010-451 | Thread Guide Set Screw (2) | 540524 | Needle Bar Bushing (lower) (for 100A) |
| 504010-452 | Feed Dog Adjusting Screw Strap Clamping Screw | 540525 | Needle Bar Bushing (lower) (for 200A) |
| 504010-452 | Looper Tension Thread Deflector Set Screw (2) | 540528 | Needle Bar Bushing (lower) Felt |
| 504010-452 | Thread Take-up Arm Clamping Screw | 540541 | Feed Lifting Rock Shaft Oil Wick (outer) (cotton) |
| 504013 | Feed Bar Carrier Clamping Screw (2) | 540541 | Feed Rock Shaft Oil Wick (outer) (cotton) |
| 504013 | Feed Bar Hinge Pin Clamping Screw | 540546 | Needle Bar Bushing (lower) 540525 with 545935 (for 200A) |
| 504020 | Looper Drive Shaft Screw Plug | 540547 | Feed Bar Connecting Link Oil Wick (cotton) |
| 504025 | Bell Crank Bracket Set Screw (2) | 540553 | Oil Removing Pump (body) Complete |
| 504029 | Feed Rock Shaft Driving Frame Hinge Pin Set Screw (2) | 540555 | Oil Removing Pump Bracket |
| 504029 | Looper Avoid Driving Arm Set Screw | 540556 | Oil Removing Pump Piston |
| 504029 | Looper Avoid Pivot Shaft (left) Set Screw | 540557 | Oil Removing Pump Piston Spring Bracket |
| 504029 | Looper Avoid Pivot Shaft (right) Set Screw | 540605 | Arm Shaft (horizontal) |
| 504029 | Looper Drive Shaft Bushing (center) Set Screw | 540606 | Arm Shaft (horizontal) and Needle Bar Crank with 504095, 504117, 504120 and two 549230 |
| 504029 | Looper Drive Shaft Bushing (left) Set Screw | 540608 | Arm Shaft (horizontal) Thrust Collar with two 154781 |
| 504048 | Looper Avoid Pivot Shaft (right) Collar Set Screw (2) | 540617 | Bell Crank Complete |
| 504048 | Needle Thread Tension Release Pivot Stud Set Screw | 540624 | Feed Regulating Dial Lock Pin |
| 504051 | Feed Regulating Dial Stopper Screw | 540625 | Feed Regulating Dial Lock Pin Spring |
| 504063 | Finger Guard Set Screw | 540625 | Oil Removing Pump Piston Spring |
| 504064 | Arm Screw (small) (2) | 540630 | Feed Reverse Lever Hinge Stud |
| 504066 | Arm Shaft (horizontal) Bevel Gear Set Screw (2) | 540631 | Feed Reverse Lever Hinge Stud Complete, Nos. 540630, 545047 and 545825 |
| 504071 | Oil Pump (centrifugal) (body) Screw (2) | 540633 | Feed Reverse Lever Hinge Stud Collar with 504134 |
| 504094 | Feed Rock Shaft Flanged Bushing (front) Set Screw | 540639 | Feed Reverse Lever Spring |
| 504095 | Thread Take-up Crank Set Screw | 540641 | Feed Reverse Lever Spring Retainer |
| 504099 | Arm Top Cover Screw (4) | 540644 | Feed Rock Shaft Crank with 545181 and 549183 |
| 504101 | Arm Shaft (upright) Bevel Gear (lower) Set Screw (2) | 540648 | Feed Rock Shaft Crank Connecting Rod with 545181 and two 545059 |
| 504101 | Arm Shaft (upright) Bevel Gear (upper) Set Screw (2) | 540660 | Needle Bar Connecting Link |
| 504101 | Looper Drive Shaft Bevel Gear Set Screw (2) | 540661 | Needle Bar Connecting Link 540660 with 540450 |
| 504103 | Feed Bar Connecting Link Cap Screw (2) | 540662 | Needle Bar Connecting Link Roller Bearing |
| 504111 | Feed Lifting Rock Shaft Oil Plug Screw | 540670 | Presser Bar Lifting Lever Link |
| 504111 | Feed Rock Shaft Oil Plug Screw | 540689 | Feed Regulating Dial Pin |
| 504112 | Needle Set Screw | 540690 | Feed Regulating Dial Stopper |
| 504114 | Thread Guide Stop Set Screw | 540706 | Arm Shaft (horizontal) Flanged Bushing (back) |
| 504117 | Thread Take-up Crank Clamping Screw | 540707 | Arm Shaft (horizontal) Flanged Bushing (back) Oil Seal |
| 504118 | Needle Bar Connecting Link Cap Screw | 540708 | Arm Shaft (horizontal) Flanged Bushing (back) Ring |
| | | 540719 | Oil Pipe Clamping Sleeve Nut |
| | | 540720 | Arm Shaft (horizontal) Flanged Bushing (front) with 540722 |
| | | 540722 | Arm Shaft (horizontal) Flanged Bushing (front) Oil Drain Tube Tape |

NUMERICAL LIST OF PARTS FOR MACHINE 791D100A/200A

| PART NO. | DESCRIPTION | PART NO. | DESCRIPTION |
|------------|---|--------------|---|
| 540771 | Needle Bar Bushing (lower) Thread Eyelet (for 100A) | 545775 | Bed Hole Plug |
| 541165-001 | Stitch Shortening Adjustable Limit Screw Nut | 545788 | Feed Bar Connecting Link |
| 541165-001 | Thread Puller Clamping Screw Nut | 545789 | Feed Bar Connecting Link 545788 with 272111 and 540547 |
| 541178 | Feed Dog Adjusting Screw Nut | 545799 | Feed Lifting Rock Shaft Crank (back) Connecting Rod Hinge Stud |
| 541178 | Thread Take-up Arm Nut | 545806 | Feed Lifting Rock Shaft Collar with two 504007 (2) |
| 541182 | Needle Thread Tension Stud Nut | 545307 | Feed Lifting Rock Shaft Crank (back) with two 549183 |
| 542347 | Slide Plate (left) Washer (2) | 545808 | Feed Lifting Rock Shaft Crank (front) |
| 543335 | Oil Removing Tube Retainer | 545810 | Feed Lifting Rock Shaft Oil Wick (cotton) |
| 543363 | Oil Wick Holder and Pipe | 545812 | Feed Lifting Rock Shaft Crank (back) Connecting Rod with two 545059 |
| 543365 | Oil Wick Holder Complete | 545825 | Feed Reverse Lever Hinge Stud O-ring |
| 543371 | Oil Removing Tube Retaining Clamp | 545836 | Feed Rock Shaft Flanged Bushing (front) |
| 543801-005 | Needle Thread Tension Release Arm Stop Ring | 545837 | Feed Rock Shaft Collar with two 504007 |
| 543803-003 | Thread Guide Washer (2) | 545839 | Feed Rock Shaft Oil Wick (cotton) |
| 543803-004 | Looper Lever Threaded Stud Washer (2) | 545846 | Oil Pipe Clamping Sleeve |
| 543804-003 | Needle Guide Bracket Washer | 545847 | Oil Pipe Clamping Sleeve Nut |
| 543826 | Arm Screw (front) Washer (2) | 545849 | Oil Pipe Clamping Sleeve |
| 544202-002 | Needle Guide (front) Set Screw | 545854 | Oil Pump (centrifugal) |
| 544203-005 | Stitch Shortening Adjustable Limit Screw | 545855 | Oil Pump (centrifugal) Cover |
| 544207-011 | Presser Foot Collar Screw | 545856 | Oil Pump (centrifugal) Impeller |
| 544208-001 | Looper Set Screw | 545857 | Oil Pump (centrifugal) Screen |
| 544209-005 | Looper Avoid Eccentric (inner race) Set Screw (2) | 545858 | Oil Pump (centrifugal) Screen Frame |
| 544212-001 | Tension Release Connecting Link Set Screw (2) | 545868 | Presser Bar Lifter |
| 544212-052 | Thread Puller Clamping Screw | 545872 | Presser Bar Lifting Lever Connecting Rod Oil Mist Retaining Disc (felt) |
| 544258 | Looper Thread Guide (left) Screw | 545873 | Presser Bar Lifting Lever Connecting Rod Swivel |
| 544368 | Arm Screw (front) (2) | 545875 | Presser Bar Lifting Lever Pin |
| 544394 | Feed Reverse Lever Spring Screw | 545901 | Thread Eyelet (side of arm) |
| 544424 | Presser Regulating Thumb Screw | 545909 | Oil Wick (cotton) (2) |
| 544425 | Low Pressure Adjusting Screw | 545935 | Needle Bar Bushing (lower) Thread Eyelet (for 200A) |
| 544782 | Arm Shaft (horizontal) Flanged Bushing (front) Oil Tube Plug | 545949 | Feed Lifting Rock Shaft Flanged Bushing (2) |
| 544782 | Face Plate Plug (small) | 545949 | Feed Rock Shaft Flanged Bushing (back) |
| 544874 | Face Plate with 544782, 544875 and 544876 | 546933 | Needle Bar Bushing (lower) 540524 with 540771 (for 100A) |
| 544875 | Face Plate Plug (large) | 548091 | Feed Rock Shaft Driving Frame Spring |
| 544876 | Face Plate Gasket | 548479 | Oil Pump (centrifugal) (body) Position Pin (2) |
| 544881 | Needle Bar Connecting Stud with 549380 | 548970 | Presser Bar Lifting Lever Pin Spring |
| 544901 | Machine Pulley with two 504119 | 549013 | Presser Foot Retainer Screw |
| 544948 | Presser Bar Guide Bracket with 545099 | 549028 | Feed Reverse Lever Hinge Stud Crank Clamping Screw |
| 545033 | Arm Screw (back) (2) | 549046 | Looper Drive Crank Ball Joint Clamping Screw |
| 545036 | Arm Shaft (upright) Bevel Gear (upper) Set Screw Hole Plug Screw | 549046 | Looper Lever Threaded Stud Bushing Screw (2) |
| 545037 | Thread Take-up Crank Clamping Screw Hole Plug Screw | 549086 | Looper Avoid Pivot Shaft (left) Set Screw |
| 545040 | Feed Dog Adjusting Screw | 549128 | Thread Eyelet (side of arm) Screw |
| 545043 | Feed Lifting Rock Shaft Crank (front) Clamping Screw | 549168 | Feed Regulating Plate Screw (2) |
| 545046 | Feed Reverse Lever Clamping Screw | 549183 | Feed Lifting Rock Shaft Crank (back) Clamping Screw (2) |
| 545047 | Feed Reverse Lever Hinge Stud Cap Screw | 549183 | Feed Rock Shaft Crank Clamping Screw |
| 545049 | Oil Pump (centrifugal) Impeller Locking Screw | 549230 | Arm Shaft (horizontal) Screw Plug (front, back) (2) |
| 545050 | Oil Pump (centrifugal) Screen Frame Screw (3) | 549288 | Feed Reverse Lever Hinge Stud Crank Connecting Link Screw (2) |
| 545051 | Oil Wick Holder Screw | 549338 | Tension Release Connecting Link Screw |
| 545053 | Presser Bar Lifter Hinge Screw | 549380 | Needle Bar Connecting Stud Clamping Screw |
| 545054 | Presser Bar Lifting Lever Hinge Screw | 549380 | Presser Foot Clamping Screw |
| 545059 | Feed Lifting Rock Shaft Crank (back) Connecting Rod Cap Screw (2) | 549382 | Feed Regulating Screw |
| 545059 | Feed Rock Shaft Crank Connecting Rod Cap Screw (2) | 549383 | Feed Regulating Screw Guide Screw |
| 545072 | Feed Rock Shaft Driving Link (small) Pin Set Screw (2) | 549426-451 | Thread Guide Washer |
| 545084 | Looper Thread Guide (right) Screw | CAT. 3651-05 | Needle (#14) (for 100A) |
| 545095 | Needle Guide Bracket Set Screw | CAT. 3651-05 | Needle (#16) (for 200A) |
| 545099 | Presser Bar Guide Bracket Clamping Screw | | |
| 545103 | Looper Drive Connecting Link Stud | | |
| 545174-451 | Needle Thread Tension Release Shaft Set Screw | | |
| 545180 | Shield (left) Screw (3) | | |
| 545180 | Shield (right) Screw (3) | | |
| 545181 | Feed Rock Shaft Crank Connecting Rod Pin Set Screw | | |
| 545181 | Feed Rock Shaft Crank Pin Set Screw | | |
| 545183 | Feed Reverse Lever Spring Retainer Screw | | |
| 545239 | Oil Removing Pump Bracket Set Screw (3) | | |
| 545264 | Feed Rock Shaft Driving Frame Spring Stud | | |
| 545289 | Feed Rock Shaft Driving Frame Extension Arm Screw | | |
| 545313 | Feed and Feed Lifting Eccentric Set Screw (2) | | |
| 545318-452 | Looper Cover Plate (large) Latch Guide Set Screw (2) | | |
| 545318-452 | Looper Cover Plate (large) Leaf Spring Set Screw (2) | | |
| 545342 | Looper Drive Shaft Cap Screw | | |
| 545379 | Slide Plate (left) Spring Set Screw (2) | | |
| 545403 | Presser Regulating Thumb Screw Lock Nut | | |
| 545404-451 | Looper Thread Tension Stud Nut | | |
| 545421 | Looper Lever Threaded Stud Nut (2) | | |
| 545492 | Feed Regulating Nut | | |
| 545754 | Arm Shaft (upright) Bevel Gear (upper) Set Screw Hole Plug Screw Gasket | | |
| 545755 | Thread Take-up Crank Clamping Screw Hole Plug Screw Gasket | | |
| 545757 | Arm Shaft (horizontal) Bevel Gear with two 504066 | | |
| 545758 | Arm Shaft (horizontal) Busing (center) | | |
| 545761 | Arm Shaft (horizontal) Flanged Bushing (front) Oil Tube | | |
| | | 41400 | Machine Rest Pin (wood) |
| | | 505656-002 | Thread Unwinder (for two spools) Complete, with three Wood Screw (purchased part) |
| | | 540520 | Machine Base and Oil Reservoir Cushion (front) with two Wire Nail (2) |
| | | 540521 | Machine Base and Oil Reservoir Cushion (back) with two Wire Nail (2) |
| | | 540522 | Machine Hinge Connection (2) |
| | | 540523 | Machine Hinge Connection Cushion (2) |
| | | 541513 | Screw Driver (large) |
| | | 541514 | Screw Driver (small) |
| | | 543087 | Hexagon Wrench Key |
| | | 543162 | Tweezers |
| | | 545754 | Machine Base and Oil Reservoir Oil Drain Plug Screw Gasket |
| | | 545927 | Oil Can (950 cc, filled with Singer type "C" oil) |
| | | 548701 | Screw Driver (long) |
| | | CAT. 3651-05 | Needle (#14) (3) (for 100A) |
| | | CAT. 3651-05 | Needle (#16) (3) (for 200A) |

ACCESSORIES AND ATTACHMENTS

NUMERICAL LIST OF PARTS FOR MACHINE 791D100A/200A

PART NO. DESCRIPTION

MACHINE BASE AND OIL RESERVOIR

415914 Machine Base and Oil Reservoir Gasket
 415949 Machine Base and Oil Reservoir with 415914, 545036,
 545754, two each 415951, 415952, four 415953 and
 eight 544217-001
 415951 Machine Base and Oil Reservoir Retainer (long) (2)
 415952 Machine Base and Oil Reservoir Retainer (short) (2)
 415953 Machine Rest (rubber) (4)
 544217-001 Machine Base and Oil Reservoir Retainer Screw (8)
 545036 Machine Base and Oil Reservoir Oil Drain Plug Screw
 545754 Machine Base and Oil Reservoir Oil Drain Plug Screw
 Gasket

KNEE LIFTER PARTS

415910 Bell Crank Plunger
 5483823-001 Rock Shaft Thrust Washer (2)
 544887 Rock Shaft Complete, Nos. 505402, 544895, 545913,
 545915, 545918, 545921, 545922 and two
 543823-001
 544895 Rock Shaft Knee Arm
 545913 Rock Shaft
 545915 Rock Shaft Crank
 545918 Rock Shaft Knee Arm Hub
 545921 Rock Shaft Spring
 545922 Rock Shaft Stop Dog

AVAILABLE AT EXTRA CHARGE

207-850 Swing Out Edge Guide Screw (2)
 410723 Belt Guard with two 544085 and eight 544217-001
 518167 Hook Setting Gage
 543020-001 Swing Out Edge Guide
 544085 Belt Guard (lower) Wood Screw (2)
 544217-001 Belt Guard Plate Screw (4)
 544217-001 Belt Guard Screw (4)
 545945 Box Wrench
 549426-452 Swing Out Edge Guide Washer (2)

NUMERICAL LIST OF PARTS

| PART NO. | DESCRIPTION |
|------------|---|
| 1498 | Needle Set Screw (2) |
| 2102 | Looper Thread Tension Disc (4) |
| 2102 | Needle Thread Tension Disc (4) |
| 32572 | Looper Thread Tension Presser Disc (2) |
| 32572 | Needle Thread Tension Releasing Disc (2) |
| 143497 | Needle Bar Thread Guard (for 100A) |
| 156316 | Looper Thread Guide (2) |
| 156316 | Needle Thread Guide (2) |
| 156376 | Looper Thread Tension Spring (2) |
| 156722 | Feed Dog (22 teeth per inch) (for 100A) |
| 156723-012 | Throat Plate (for 100A) |
| 156801 | Looper Thread Guide (2) |
| 156801 | Needle Thread Guide (2) |
| 156964 | Throat Plate (for 100A) |
| 157190 | Feed Dog (22 teeth per inch) (for 100A) |
| 157192 | Presser Foot Plate (back) Spring (for 200/300A) |
| 161160 | Presser Foot Spring (for 100A) |
| 202407 | Needle Thread Tension Spring (2) |
| 411154 | Needle Thread Tension Stud Nut Washer (2) |
| 414605 | Presser Foot Screw Stud (for 100A) |
| 414606 | Chain Cutter Screw (2) |
| 414721 | Presser Foot Screw Stud (for 200/300A) |
| 414722 | Presser Foot Screw Stud (2) (for 200/300A) |
| 414723 | Presser Foot Plate (back) Spring Retainer Screw (for 200/300A) |
| 415807 | Looper Thread Tension Complete (2) |
| 415808 | Looper Thread Tension Stud (2) |
| 415808 | Needle Thread Tension Stud (2) |
| 415809 | Needle Thread Tension Complete (2) |
| 415813 | Needle Thread Tension Release Arm |
| 415814 | Needle Thread Tension Release Pivot Stud |
| 415919 | Presser Foot (shank) with 549380 (for 100A) |
| 415956 | Arm Top Cover and Tension Complete, Nos. 415811 to 415814, 414957, 504048, 543801-005, 545175-451, two Each 415807, 415809 and 415810, four Each 156316 and 156801 |
| 415957 | Arm Top Cover |
| 415958 | Thread Guide Complete |
| 415963 | Needle Guide and Bracket Complete, Nos. 415838, 415964, 504135 and 543804-003 |
| 415964 | Needle Guide Complete |
| 415966 | Looper Frame with Looper Lever and Driving Lever Complete, Nos. 415876, 415880, 415933, two Each 518153, 543803-004 and 545421, four Each 518073 and 518101 |
| 415967 | Looper Lever with two 544208-001 |
| 415969-012 | Presser Foot Complete, Nos. 161160, 414605, 415919, 415970-012, 415975 and two 414606 (for 100A) |
| 415969-016 | Presser Foot Complete, Nos. 161160, 414605, 415919, 415970-016, 415975 and two 414606 (for 100A) |
| 415970-012 | Presser Foot Plate (for 100A) |
| 415970-016 | Presser Foot Plate (for 100A) |
| 415971-012 | Needle Bar with Holder, 143497 and two 1498 (for 100A) |
| 415971-012 | Needle Bar with Holder and two 1498 (for 200/300A) |
| 415971-016 | Needle Bar with Holder, 143497 and two 1498 (for 100A) |
| 415971-016 | Needle Bar with Holder and two 1498 (for 200/300A) |
| 415975 | Chain Cutter |
| 415976-012 | Presser Foot (triple hinged) Complete, Nos. 157192, 414606, 414721, 414723, 415975, 415977, 415979-012, 415980, 518546 and two 414722 (for 200/300A) |
| 415977 | Presser Foot (Shank) with 549380 (for 200/300A) |
| 415979-012 | Presser Foot Plate (front) (for 200/300A) |
| 415980 | Presser Foot Plate (back) (for 200/300A) |
| 415981-016 | Presser Foot (triple hinged) Complete, Nos. 157192, 414606, 414721, 414723, 415975, 415977, 415982-016, 415983, 518546 and two 414722 |

5 FOR MACHINE 792D 100A/200A/300A

| PART NO. | DESCRIPTION |
|--------------|--|
| 415982-016 | Presser Foot Plate (front) (for 200,300A) |
| 415983 | Presser Foot Plate (back) (for 200,300A) |
| 415984 | Needle Bar Eccentric Stud and Needle Bar Connecting Link Complete, Nos. 415985, 504118, 540661 and 540662 (for 300A) |
| 415985 | Needle Bar Eccentric Stud (for 300A) |
| 415986 | Looper Cover Plate (large) Complete, Nos. 146689 to 146691, 415987, 518175, two 543804-003 and four 414720-452 |
| 415987 | Looper Cover Plate (large) |
| 504114 | Thread Guide Stop Set Screw (2) |
| 518059 | Thread Guide |
| 518064 | Thread Guide Stop (2) |
| 518201 | Looper (back) |
| 518203 | Looper (front) |
| 518204 | Looper (front) |
| 518542-016 | Throat Plate (for 200/300A) |
| 518543 | Feed Dog (12 teeth per inch) (for 200/300A) |
| 518546 | Presser Foot Plate Connection (for 200/300A) |
| 518550 | Throat Plate (for 200/300A) |
| 518551 | Feed Dog (15 teeth per inch) (for 200/300A) |
| 541182 | Needle Thread Tension Stud Nut (2) |
| 544208-001 | Looper Set Screw (2) |
| 545404-451 | Looper Thread Tension Stud Nut (2) |
| 549380 | Presser Foot Clamping Screw |
| CAT. 3651-05 | Needle (#14) (2) (for 100A) |
| CAT. 3651-05 | Needle (#16) (2) (for 200A) |
| CAT. 3651-05 | Needle (#19) (2) (for 300A) |

ACCESSORIES

| | |
|--------------|--|
| 415941-452 | Thread Unwinder Complete (for four spools) |
| CAT. 3651-05 | Needle (#14) (4) (for 100A) |
| CAT. 3651-05 | Needle (#16) (4) (for 200A) |
| CAT. 3651-05 | Needle (#19) (4) (for 300A) |

AVAILABLE AT EXTRA CHARGE

| | |
|------------|---|
| 109051-823 | Lap Seam Feller Clamping Screw |
| 156058 | Lap Seam Feller Clamping Plate |
| 415974-003 | Lap Seam Feller Complete (3/16 M) (for 100A) |
| 415974-004 | Lap Seam Feller Complete (1/4 M) (for 100A) |
| 415974-007 | Lap Seam Feller Complete (3/16 MH) (for 200A) |
| 415974-008 | Lap Seam Feller Complete (1/4 MH) (for 200A) |
| 415974-011 | Lap Seam Feller Complete (3/16 H) (for 300A) |
| 415974-012 | Lap Seam Feller Complete (1/4 H) (for 300A) |