

**SINGER**  
**72W13,W18**

Form 1620-w  
OCTOBER, 1919

**LIST**  
**OF**  
**PARTS**



**MACHINES**  
**Nos. 72 w 13 and 72 w 18**

---

**THE SINGER MANUFACTURING COMPANY**

## INDEX

---

	PAGE
ACCESSORIES .....	22
Bobbin Winder .....	22
Box Feather .....	31
Feed Dogs .....	24
Hammers .....	27
Knife Lifter .....	23
Lap Seam Peller .....	32
MACHINE No. 72W13 .....	7
"    "    72W18 .....	21
NUMERICAL LIST OF PARTS .....	37
OBsolete PARTS .....	33
Piercers .....	26
Presser Feet .....	25
Throat Plates .....	26

COPYRIGHT, U. S. A. 1918 AND 1919, BY THE SINGER MANUFACTURING CO.  
ALL RIGHTS RESERVED FOR ALL COUNTRIES.

# Instructions for Ordering

In ordering from this list, use **ONLY** the **PART** number in the **FIRST** column.

The number stamped on a Sewing Machine Part is the number of the Single Part only, except when the part includes Set Screws, Clamping Screws, Studs and Rollers Spun on, Small Wires riveted, or Parts soldered together, etc., which it is necessary to furnish in combination.

Every combination of parts sent out has its specific number which, although not stamped on Parts (except in above cases) must be used when ordering the combination.

Each number always indicates the **SAME PART** in whatever list it appears, or for whatever Machine.

The letters after some of the numbers indicate the style of finish only, as follows:

- A.** Hardened, Polished and Plated.
- B.** Polished and Plated.
- C.** Hardened only.
- D.** Polished only.
- E.** Soft, not polished.
- F.** Hardened and Polished.
- H.** Blued.

These letters **MUST BE USED** when they appear in the list and **AFTER** the number, as in the list.

In this series

- 200001 to 201500 are Screw Numbers.
- 201501 to 201800 are Nut Numbers.
- 201801 to 202000 are Roller Numbers.
- 202001 and upward are numbers of Machine Parts.

The figures in the second column refer only to the plate in which the illustration of the part is shown and are **NOT TO BE USED** in ordering.

Two or more numbers over a cut indicate that the difference between such parts is not visible in an illustration.

Parts marked with an asterisk (\*) are furnished only when repairs are made at the factory.

## LIST OF PARTS COMPLETE

FOR

### MACHINE No. 72w13

For Hemstitching  $\frac{1}{8}$  in. Opening Between Intervening Bars or Spokes in Drawn and Coarse Loosely Woven Linen Work for Table Spreads, Doilies, Vase Mats, Etc.

HAS FORWARD FEED.

No.	Plate	Name
*234705	---	Arm with 202036, 234706, two each 200346c and 213222 .....
204163	12314	Arm Cap .....
200278H	12311	" " Screw .....
202248	12307	" " " Washer .....
213257	13401	" Plate .....
200571B	11090	" " Screw (2) .....
200010E	13402	" Screw (3) .....
202005	13414	" " Washer (3) .....
203237	13415	" Shaft .....
204801	13401	" " Bushing (back) with 202260 .....
202260	---	Arm Shaft Bushing (back) Oil Packing (wick) .....
200352c	11635	Arm Shaft Bushing (back) Set Screw .....
204802	13401	Arm Shaft Bushing (front) with 202036 and 202260 .....
202260	---	Arm Shaft Bushing (front) Oil Packing (wick) .....
200502B	11635	Arm Shaft Bushing (front) Oil Packing Thumb Screw .....
202036	13402	Arm Shaft Bushing (front) Position Pin .....
200352c	11635	Arm Shaft Bushing (front) Set Screw .....
204804	13401	Arm Shaft Connection with four 200054E (2) .....
200054E	12307	Arm Shaft Connection Screw ....
213833	13414	Auxiliary Piercer .....
213264	11097	" " Holder with 200117E and 200389c .....
213261	11097	Auxiliary Piercer Holder Bracket with two 200118E .....

No.	Plate	Name
200118F	13402	Auxiliary Piercer Holder Bracket Screw .....
200117F	11097	Auxiliary Piercer Holder Screw ..
200389c	11642	" " Set Screw .....
204174	13415	Balance Wheel, 5 $\frac{1}{2}$ in. diam. (belt groove 2 $\frac{7}{8}$ in. diam.), with 200328c and 200335c .....
200062H	12311	Balance Wheel Adjusting Screw ..
200328c	12311	" " Position Screw .....
200335c	12311	" " Set Screw .....
*213235	----	Bed with 202062, 203249, 213191, two each 200362c, 200516E, 200840E and 202299 .....
202258	12153	Bed Hinge Connection (2) .....
200570E	12311	" " " Screw (4) .....
203329	13401	" Slide (back) .....
203301	13401	" " (front) .....
213710	11635	Bobbin .....
203210	12312	" Case Base with 202056, 203211 to 203213 and 203216 .....
203211	12312	Bobbin Case Base Latch .....
*202056	----	" " " " Pin .....
203212	12312	" " " " Plunger .....
203213	12312	" " " " Spring ..
203209	12312	" " Cap with 200984c, 203214, 203215 and two 200594c ..
203214	12312	Bobbin Case Tension Spring .....
200984c	12312	" " " " Regulating Screw .....
200594c	12312	Bobbin Case Tension Spring Screw ..
203215	12312	" " Thread Guide .....
200594c	12312	" " " " Screw ..
203216	12312	" " Washer (cloth) .....
203217	12312	Bobbin Case complete, Nos. 203209 and 203210 .....
213945	-	Face Plate with 200355u, two each 200368u, 200397u, 202090 and 204281 .....
200053c	12311	Face Plate Screw .....
213266	11097	" " Thread Guide .....
200161D	12319	" " " " Screw ..
225604	13402	" " " " " Washer .....
213946	13415	Face Plate complete, Nos. 200098E, 200161D, 200318u, 202108, 202872, 213213, 213214, 213266, 213267, 213935, 213941 to 213945, 219866, 219867, 228026, 234703, two each 200089D, 200290E, 201537u, 204059, 213872 and three 225604 .....

No.	Plate	Name
213789	11090	Feed Bar with 204189 .....
213765	----	" " 213789 with 200075E, 200214E, 201525E, 201535E and 204200 .....
200214E	13402	Feed Bar Hinge Screw .....
201525E	13402	" " " " Nut .....
204188	13402	" " Spring .....
204189	11635	" " " Hook .....
212830	13414	" Dog .....
200106E	12311	" " Screw (2) .....
200075E	11090	" " Support Screw .....
201535E	11090	" " " " Nut .....
206206	13401	" Driving Cam and Gear, 54 teeth, with two 200383 .....
206609	13414	Feed Driving Cam and Gear Driving Gear, 18 teeth .....
213218	11090	Feed Driving Cam and Gear Driving Gear 206609 with two 200348c ..
200348c	11090	Feed Driving Cam and Gear Driving Gear Set Screw .....
201816	12307	Feed Driving Cam and Gear Roller ..
201850	11090	" " " " " " " " 201816 with 200820c .....
200820c	11635	Feed Driving Cam and Gear Roller Stud .....
201517E	11090	Feed Driving Cam and Gear Roller Stud Nut .....
200383c	12311	Feed Driving Cam and Gear Set Screw .....
213233	11097	Feed Driving Cam and Gear Shaft ..
213245	13401	" " " " " " " " Bracket .....
200036E	11090	Feed Driving Cam and Gear Shaft Bracket Screw (3) .....
230743	-	Feed Driving Cam and Gear Shaft Bracket Screw Washer (3) .....
213172	-	Feed Driving Rock Shaft .....
213167	13415	" " " " 213172 with 200002E, 201522E and 204193 .....
202305	12307	Feed Driving Rock Shaft Center (2) .....
200043c	12311	Feed Driving Rock Shaft Center Set Screw (2) .....
204193	13401	Feed Driving Rock Shaft Connection with 200668c and 201525E ..
200002E	13402	Feed Driving Rock Shaft Connection Hinge Screw .....
201522E	13402	Feed Driving Rock Shaft Connection Hinge Screw Nut .....

No.	Plate	Name
204200	11635	Feed Driving Rock Shaft Crank with 204189 (on left side) and two 200383c
200383c	12311	Feed Driving Rock Shaft Crank Set Screw
213188	13411	Feed Driving Segment Lever with 204293 and 213391
215700	11635	Feed Driving Segment Lever Clamp with 200031f
215702	---	Feed Driving Segment Lever Clamp 215700 with 215701
215701	11635	Feed Driving Segment Lever Clamp Block
200031f	12311	Feed Driving Segment Lever Clamp Pinch Screw
200668c	13402	Feed Driving Segment Lever Clamp Screw Stud
201525f	13402	Feed Driving Segment Lever Clamp Screw Stud Nut
203741	---	Feed Driving Segment Lever Crank with two 200363c
213246	11097	Feed Driving Segment Lever Crank 203741 with 201517c and 201850
200363c	11635	Feed Driving Segment Lever Crank Set Screw
*213391	11635	Feed Driving Segment Lever Shaft
204293	13414	" " " " " Pin
213809	11101	Feed Driving Segment Lever Shaft Sleeve (split) (left)
204196	12397	Feed Driving Segment Lever Shaft Sleeve (split) (right)
200043c	12311	Feed Driving Segment Lever Shaft Sleeve Set Screw
201524f	13404	Feed Driving Segment Lever Shaft Sleeve Set Screw Nut (2)
213234	11097	Feed Lifting Cam with 204020 and two 200383c
200383c	12311	Feed Lifting Cam Set Screw
213796	---	" " Rock Shaft
203321	13412	" " " " 213796 with 203238
202305	12307	Feed Lifting Rock Shaft Center (2)
200043c	12311	Feed Lifting Rock Shaft Center Set Screw (2)
213259	11099	Feed Lifting Rock Shaft Lever with 200049c and 201807
204020	---	Feed Lifting Rock Shaft Lever Cushion (leather)

No.	Plate	Name
200049c	13402	Feed Lifting Rock Shaft Lever Pinch Screw
201822	---	Feed Lifting Rock Shaft Lever Roller
201807	11099	Feed Lifting Rock Shaft Lever Roller 201822 with 200261f
200261f	13419	Feed Lifting Rock Shaft Lever Roller Screw Stud
202276	13414	Feed Lifting Rock Shaft Slide Block
203238	13414	Feed Lifting Rock Shaft Slide Block 202276 with 200243c and 201531f
200243c	13402	Feed Lifting Rock Shaft Slide Block Hinge Screw
201531f	13414	Feed Lifting Rock Shaft Slide Block Hinge Screw Nut
204206	13402	Feed Regulating Handle
204713	---	" " " 204206 with 200098f, 202622, 204208, 204209, 204213, 204714 and 204925
204208	12307	Feed Regulating Handle Adjustable Stop
200098f	12307	Feed Regulating Handle Adjustable Stop Screw
204925	13402	Feed Regulating Handle Adjustable Stop Screw Washer
204209	12307	Feed Regulating Handle Position Pin
204714	13402	" " " Shaft
204211	13402	" " " " Crank with 200098f
204212	12307	Feed Regulating Handle Shaft Crank Link
200271f	12311	Feed Regulating Handle Shaft Crank Link Hinge Screw (lower)
200291f	12307	Feed Regulating Handle Shaft Crank Link Hinge Screw (upper)
200098f	12307	Feed Regulating Handle Shaft Crank Set Screw
204213	12307	Feed Regulating Handle Shaft Sleeve (split)
200362c	12311	Feed Regulating Handle Shaft Sleeve Set Screw
202622	13402	Feed Regulating Handle Shaft Sleeve Washer
202036	13402	Feed Regulating Handle Stop Pin
204715	---	Feed Regulating Handle complete, Nos. 200291f, 204211, 204213 and 204713
*203239	---	Hook (sewing)

No.	Plate	Name
203240	12312	Hook 203239 with 201253F, 201376F and 203251 .....
203290	12312	Hook and Bobbin Case complete, Nos. 203217 and 203240 .....
203241	12312	Hook Bevel Gear Socket, 24 teeth
200555H	12312	" " " " Screw ...
203242	12344	" " Pinion, 24 teeth, with two 200383c (2) .....
200383c	12311	Hook Bevel Pinion Set Screw ....
203306	13411	" Counter Shaft .....
203244	13414	" " " Collar with two 200393c .....
200393c	13414	Hook Counter Shaft Collar Set Screw .....
203245	12344	Hook Counter Shaft Driving Gear, 44 teeth, with 200362c and 200439c .....
200439c	12311	Hook Counter Shaft Driving Gear Position Screw .....
200362c	12311	Hook Counter Shaft Driving Gear Set Screw .....
203246	12314	Hook Counter Shaft Gear, 22 teeth, with two 200383c .....
200383c	12311	Hook Counter Shaft Gear Set Screw
202299	-----	" " " Oil Packing (wick) .....
200840c	12311	Hook Counter Shaft Oil Packing (wick) Stop Screw .....
213230	13415	Hook Driving Shaft .....
213191	13412	" " " Bearing with 202299 .....
202299	-----	Hook Driving Shaft Bearing Oil Packing (wick) .....
202126	13414	Hook Driving Shaft Bearing Position Pin .....
200516F	12311	Hook Driving Shaft Bearing Screw
203249	12344	" " " Bushing (eccentric) .....
202299	-----	Hook Driving Shaft Bushing Oil Packing (wick) .....
200362c	12311	Hook Driving Shaft Bushing Set Screw .....
213141	11635	Hook Driving Shaft Collar with two 200393c .....
200393c	13414	Hook Driving Shaft Collar Set Screw .....
203251	12312	Hook Gib .....
201376F	13402	" " Hinge Screw .....
201253F	-----	" " Screw .....
203307	12335	" Saddle with 202299 .....

No.	Plate	Name
202299	-----	Hook Saddle Oil Packing (wick) ..
200006E	12307	" " " Screw (4) .....
225585	12307	" " " Washer (4) ....
203254	12312	" Washer .....
203308	12335	Hook Saddle complete, Nos. 200555H, 203241, 203254, 203290 and 203307
203462	-----	Hook Saddle Combination complete, Nos. two 203308 .....
227442	13412	Knee Lifter Connection Lever with 202446 .....
227444	-----	Knee Lifter Connection Lever 227442 with 227309, 227448 and two 200224H .....
200224H	13402	Knee Lifter Connection Lever Hinge Screw .....
227309	13415	Knee Lifter Connection Lever Lifting Rod with 202302 .....
202302	13402	Knee Lifter Connection Lever Lifting Rod Cotter Pin .....
202446	13402	Knee Lifter Connection Lever Pin
227448	13412	" " Lifting Lever .....
200224H	13402	" " " " Hinge Screw .....
213244	13415	Needle Bar (hollow) .....
213387	-----	" " 213244 with 201206F and 213398 .....
213222	13402	Needle Bar Bushing (2) .....
200346c	13402	" " " Set Screw (2) ..
204248	12307	" " Connecting Link ....
200658c	12307	" " " " Hinge Screw Stud .....
201519c	12307	Needle Bar Connecting Link Hinge Screw Stud Nut .....
204249	13414	Needle Bar Connecting Stud with 200072c and 202277 .....
202277	-----	Needle Bar Connecting Stud Oil Packing (wick) .....
200072c	13414	Needle Bar Connecting Stud Pinch Screw .....
221480	13402	Needle Bar Guide with 200086c ...
200086c	13414	" " " Pinch Screw ....
213256	11099	" " Thread Guide .....
213237	11099	" Holder (left) with two 200117F
213238	11099	" " (right) with two 200117F
213236	11099	" " Bracket .....
213398	-----	" " " 213236 with 213237, 213238, two each 200126F, 200797c, 201537H, 213239 and 225604 ....
201206F	13410	Needle Holder Bracket Screw ....
200126F	11642	" " Stop Screw .....

No.	Plate	Name
213239	11099	Needle Holder Stop Screw Washer
200797c	11099	" " Stud
201537H	12319	" " " Nut
225604	13402	" " " Washer
200117F	11097	" Set Screw
221472	13411	Needle Vibrating Cam and Gear, 48 teeth
221475	---	Needle Vibrating Cam and Gear 221472 with 200062H and 213203
200062H	12311	Needle Vibrating Cam and Gear Adjusting Screw
221470	13404	Needle Vibrating Cam and Gear Driving Gear, 16 teeth, with two 200383c
200383c	12311	Needle Vibrating Cam and Gear Driving Gear Set Screw
213802	13416	Needle Vibrating Cam and Gear Segment Lever with 201809, 204928 and 215691
234706	---	Needle Vibrating Cam and Gear Segment Lever Bushing
204922	11099	Needle Vibrating Cam and Gear Segment Lever Connecting Link (lower or upper)
204841	---	Needle Vibrating Cam and Gear Segment Lever Connecting Link 204922 with 204923
204923	11642	Needle Vibrating Cam and Gear Segment Lever Connecting Link Bushing (2)
200110B	13404	Needle Vibrating Cam and Gear Segment Lever Connecting Link Screw
204924	13404	Needle Vibrating Cam and Gear Segment Lever Connecting Link Screw Washer
213241	13416	Needle Vibrating Cam and Gear Segment Lever Connection (lower) with 214005
213242	13416	Needle Vibrating Cam and Gear Segment Lever Connection (upper) with 214005
213243	13416	Needle Vibrating Cam and Gear Segment Lever Connection Bracket
213277	---	Needle Vibrating Cam and Gear Segment Lever Connection Bracket 213243 with 213241, 213242, two each 201275B, 204841, 204924, 213265 and four 200110B

No.	Plate	Name
200571B	11090	Needle Vibrating Cam and Gear Segment Lever Connection Bracket Screw (lower)
200574E	11642	Needle Vibrating Cam and Gear Segment Lever Connection Bracket Screw (upper)
200791E	13404	Needle Vibrating Cam and Gear Segment Lever Connection Screw Stud Slide (2)
202104	10881	Needle Vibrating Cam and Gear Segment Lever Connection Screw Stud Slide Washer (2)
201581B	13404	Needle Vibrating Cam and Gear Segment Lever Connection Screw Stud Slide Wing Nut (2)
213265	11100	Needle Vibrating Cam and Gear Segment Lever Connection Slide Block
201275B	13410	Needle Vibrating Cam and Gear Segment Lever Connection Slide Block Screw
206505	11100	Needle Vibrating Cam and Gear Segment Lever Connection Stop Block
200135E	11642	Needle Vibrating Cam and Gear Segment Lever Connection Stop Block Screw
225908	11100	Needle Vibrating Cam and Gear Segment Lever Connection Stop Block Screw Washer
206008	---	Needle Vibrating Cam and Gear Segment Lever Connection Stop Block complete, Nos. 200135E, 206505 and 225908 (2)
*214005	---	Needle Vibrating Cam and Gear Segment Lever Connection Stud with 204020
201816	12307	Needle Vibrating Cam and Gear Segment Lever Roller
201809	13404	Needle Vibrating Cam and Gear Segment Lever Roller 201816 with 202556
202556	13414	Needle Vibrating Cam and Gear Segment Lever Roller Stud
*204928	---	Needle Vibrating Cam and Gear Segment Lever Shaft
202574	11635	Needle Vibrating Cam and Gear Segment Lever Shaft Collar with 200380



No.	Plate	Name
200380c	12319	Needle Vibrating Cam and Gear Segment Lever Shaft Collar Set Screw .....
215691	11642	Needle Vibrating Cam and Gear Segment Lever Shaft Position Pin .....
213203	13412	Needle Vibrating Cam and Gear Stud .....
201501B	13404	Needle Vibrating Cam and Gear Stud Nut .....
200343c	13404	Needle Vibrating Cam and Gear Stud Set Screw .....
213240	11100	Needle Vibrating Lever (2) .....
213250	11100	" " " Bearing (left) .....
234704	11100	Needle Vibrating Lever Bearing (right) .....
204920	----	Needle Vibrating Lever Friction (leather) .....
200117F	11097	Needle Vibrating Lever Set Screw .....
213831	13414	Piercer .....
213260	13411	" Bar .....
214003	----	" " 213260 with 213262 and 231481 .....
221481	13404	Piercer Bar Bushing (lower) .....
200352c	11635	" " " " Set Screw .....
213262	11100	" " " (upper) .....
200352c	11635	" " " " Set Screw .....
213248	11100	" " Driving Cam with two 200362 .....
213258	11100	Piercer Bar Driving Cam Connection with 200057H and 200066D ..
213247	11642	Piercer Bar Driving Cam Connection 213258 with 200128F, 213248 and 213740 .....
221461	11642	Piercer Bar Driving Cam Connection Crank with 200070c, 200740c and 201520H .....
200740c	11101	Piercer Bar Driving Cam Connection Crank Ball Screw .....
201520H	11101	Piercer Bar Driving Cam Connection Crank Ball Screw Nut .....
200070c	11642	Piercer Bar Driving Cam Connection Crank Pinch Screw .....
200057H	13404	Piercer Bar Driving Cam Connection Pinch Screw .....
200066D	11642	Piercer Bar Driving Cam Connection Pinch Screw .....
213740	11101	Piercer Bar Driving Cam Retaining Washer .....

No.	Plate	Name
200128F	11642	Piercer Bar Driving Cam Retaining Washer Screw .....
200362c	12311	Piercer Bar Driving Cam Set Screw .....
213249	11101	Piercer Bar Lifting Bracket with two 200380c .....
200380c	12319	Piercer Bar Lifting Bracket Set Screw .....
213804	13411	Piercer Bar Lifting Rock Shaft
215720	11642	" " " " " Bushing (2) .....
201254c	13410	Piercer Bar Lifting Rock Shaft Bushing Set Screw (2) .....
201524F	13404	Piercer Bar Lifting Rock Shaft Bushing Set Screw Nut (2) ....
204197	11635	Piercer Bar Lifting Rock Shaft Collar with 200113F .....
200113F	13414	Piercer Bar Lifting Rock Shaft Collar Set Screw .....
*213738	----	Piercer Bar Lifting Rock Shaft Crank with 201812 .....
213255	13416	Piercer Bar Lifting Rock Shaft Crank 213738 with 203339 and 213804 .....
214001	----	Piercer Bar Lifting Rock Shaft Crank 213255 with 213249 .....
203339	11642	Piercer Bar Lifting Rock Shaft Crank Position Pin .....
201812	11642	Piercer Bar Lifting Rock Shaft Crank Roller and Stud .....
213253	11101	Piercer Holder with 200117F .....
200076D	11642	" " Screw .....
200117F	11097	" Set Screw .....
213791	13411	Presser Bar (hollow) .....
204252	13414	" " Lifter .....
200550c	12311	" " " Hinge Screw ..
202179	11643	" " Lifting Bracket with 200387c .....
201254	12307	Presser Bar Lifting Bracket Position Guide .....
200362c	12311	Presser Bar Lifting Bracket Position Guide Set Screw .....
200387c	11643	Presser Bar Lifting Bracket Set Screw .....
204327	----	Presser Bar Packing Washer (felt)
200504F	13404	" " Screw Bushing (lower)
204255	13404	" " Spring .....
200491F	12344	" " Thumb Screw (pressure regulating) .....

No.	Plate	Name
200436r	13404	Presser Foot Adjusting Screw
200086r	13414	" " " " Clamp Screw
221479	13404	Presser Foot Hinge Pin
229685	13404	" " " Stud
200397n	13404	" " " " Set Screw
221464	-----	" " Plate (left)
221463	-----	" " " (right)
229672	13417	" " Shank (left) with 200086r, 200397n and 200436r
221465	-----	Presser Foot Shank 229672 with 221464 and 221479
229676	13417	Presser Foot Shank (right) with 200086r
221466	-----	Presser Foot Shank 229676 with 221463 and 221479
200086r	13414	Presser Foot Shank (right) Set Screw
229674	13417	Presser Foot Spring
202737	13404	" " " Collar with 200380r
200380c	12319	Presser Foot Spring Collar Set Screw
221467	13417	Presser Foot (hinged) complete, Nos. 221465, 221466 and 229685
202068	12153	Spool Holder Base
204551	13415	" " " Bracket
200257n	13404	" " " " Screw
204552	- -	Spool Holder Base Bracket complete, Nos. 204551, two each 200575n and 204297
200575n	12314	Spool Holder Base Screw
204296	12153	" " Wire
200079n	12311	" " " Hinge Screw
204297	12153	Spool Holder, complete, Nos. 200079n, 202068 and 204296
212920	- -	Take-up Cam with 200335c and 200430c
203268	13411	Take-up Cam 212920 with 200383c, 200658c and 204549c
203172	12307	Take-up Cam Friction Washer
200430c	12311	" " Position Screw
200383c	12311	" " " " " Check Screw
200335c	12311	Take-up Cam Set Screw
203311	13404	" Lever
221451	- -	" " 203311 with 204263
204263	13404	" " Bearing with 204264
204264	11643	" " " Position Pin
200042r	12311	" " " Screw

No.	Plate	Name
201846	12307	Take-up Lever Roller
203312	13404	Take-up Lever, complete, Nos. 200042r, 201846 and 221451
202402	11643	Tension Disc
202099	11643	" " Position Pin
213267	11101	" Release Cam
200290r	13417	" " " Screw
204537n	12319	" " " " Nut
225604	13402	" " " " Washer
213213	13418	" " Lever
200290r	13417	" " " Screw
204537n	12319	" " " " Nut
213214	13418	" " " Spring
200318n	13418	" " " " Screw
234703	13418	" " " Stop
202872	13418	" " " " Position Pin
202075	11643	" " Plunger
214052	11643	" " Slide with 204269
204469	13418	" " " Spring
204270	11643	" Spring
200632c	11643	" Stud
200397n	13404	" " Set Screw
204572n	10881	" Thumb Nut
204271	11643	" Washer
213872	11643	Tension complete, Nos. 200632c, 204572n, 202075, 204270, 204271 and two 202402
213934	11644	Thread Controller Bracket
213935	- -	" " " 213934 with 200152n, 213937 to 213939, two each 200315n, 202098, 213936 and four 213940
202108	13404	Thread Controller Bracket Position Pin
200098r	12307	Thread Controller Bracket Screw
213936	11644	" " Plate
202098	11644	" " Roller
213937	11644	" " " Guard (back)
213938	11644	" " " " (front)
213939	11644	" " " " Clamp
200152n	11644	" " " " " Screw
213940	11644	Thread Controller Roller Guard Clamp Screw Washer
200315n	11644	Thread Controller Roller Screw
219866	11644	" " Spring (back)
219867	11644	" " " (front)
213942	11644	" " " Adjusting Collar (back)

No.	Plate	Name
200089d	11635	Thread Controller Spring Adjusting Collar (back) Clamp Screw
225604	13402	Thread Controller Spring Adjusting Collar (back) Clamp Screw Washer
213941	11644	Thread Controller Spring Adjusting Collar (front) with 200397n
200397n	13404	Thread Controller Spring Adjusting Collar (front) Set Screw
213943	11644	Thread Controller Spring Stop (adjustable)
200089d	11635	Thread Controller Spring Stop Screw
213944	11644	Thread Controller Spring Stud
200355n	12319	" " " " " " Set Screw
228026	13418	Thread Controller Spring Stud Washer
203313	13418	Thread Guide
204459	13418	" " " " " " " " "
204281	11643	" Retainer Guide Wire
202091	11643	" " Sleeve
209092	11643	" " Spring
204058	11643	" " Stud
200368n	11643	" " " " " " Set Screw
204059	11643	Thread Retainer complete, Nos. 202091, 202092 and 204058
212828	13414	Throat Plate with 212869 and two 200587e
200161d	12319	Throat Plate Clamp Screw
212869	13414	" " Needle Guard
200587e	13418	" " " " " " Screw
202062	13418	" " Position Pin
200577n	12311	" " Screw

## MACHINE No. 72w18

Same as Machine No. 72w13 with the following exceptions:

No.	Plate	Name
213806	13416	Auxiliary Feed Bar with 201897, 214038 and 214039
213807	13418	Auxiliary Feed Bar Cam with two 200383e
200383e	12311	Auxiliary Feed Bar Cam Set Screw
213808	13418	" " " " " Lever with two 200383e
200383e	12311	Auxiliary Feed Bar Lever Set Screw
201822	"	" " " " Roller
201807	11099	" " " " " " " " 201822 with 200261d
200261d	13419	Auxiliary Feed Bar Roller Screw Stud
213749	13418	Auxiliary Feed Bar Spring
214039	13418	" " " " " " Stud
214038	13418	" " " " " " " Pin
213743	13416	Feed Driving Cam and Gear, 54 teeth, with two 200383e, in place of 206296
214037	13416	Feed Driving Cam and Gear Shaft, in place of 213233
200780e	13418	Feed Driving Segment Lever Crank Stop Screw with 204027
201517n	11090	Feed Driving Segment Lever Crank Stop Screw Nut
204027	"	Feed Driving Segment Lever Crank Stop Screw Packing (rawhide)
213397	11099	Feed Lifting Cam with 204020 and two 200383e, in place of 213231
213717	"	Hook Saddle (right) with 202299, in place of 203307
213748	13416	Hook Saddle (right) complete, Nos. 200555n, 203241, 203254, 203290 and 213717
213720	"	Hook Saddle Combination (left and right) complete, Nos. 203308 and 213718, in place of 203462

## ACCESSORIES

No.	Plate	Name
213833	13411	Auxiliary Pierceer .....
213710	11635	Bobbin (10) .....
*225482	—	" Case Screw Driver Blade ...
*225483	—	" " " " Handle ...
225497	12153	Bobbin Case Screw Driver complete, Nos. 225482 and 225483 ...
225486	13410	Needle Holder Stud Nut Wrench ...
213831	13414	Pierceer .....
234792	—	Tweezers .....
128 x 1	—	Needles, six each, sizes 12 and 14
225491	—	Drip Pan with four wood screws, 2 in., No. 5 .....
41100	12153	Machine Rest Pin (wood) .....
36578	12153	Oiler with 36579 .....
36579	12153	" Spout, 3½ in. long, with 120117
120117	—	" " Washer .....
*225484	—	Screw Driver Blade .....
*225485	—	" " Handle .....
225498	12153	Screw Driver complete (7½ in. long), Nos. 225484 and 225485 ...
225554	12153	Wrench (steel) .....

### BOBBIN WINDER

#### Swing Automatic, Right Hand.

*225451	—	Bobbin Holder .....
225453	10882	Frame with 202277 and 225438 ...
225454	10882	" Hinge Pin .....
202277	—	" Oil Packing (wick) .....
225438	10882	" " Well Cap .....
225455	10882	" Spring .....
225456	10882	" " Plunger .....
202473	10883	Pulley with 200380c .....
225457	10882	" Friction Stud .....
200380c	12319	" Set Screw .....
*225443	—	Spindle .....
225452	10882	" 225443 with 225451 .....
225444	10882	Stop Latch .....
200056E	10882	" " Screw .....
225458	10882	" " Thumb Lever .....
225459	10882	" " " " Hinge Stud
225460	10882	" " " " Joint Stud
202478	10882	" " Trip Lever .....
200299H	10882	" " " " Hinge Screw

No.	Plate	Name
225461	10881	Tension Bracket with 201499b ...
200082b	10881	" " Screw .....
202104	10881	" " Washer .....
2102	10881	" Disc .....
202407	10881	" Spring .....
201499b	10881	" Stud .....
201572b	10881	" " Thumb Nut .....
225462	10881	Bobbin Winder Tension Bracket complete, Nos. 201572b, 202407, 225461 and two 2102 .....
225463	10883	Bobbin Winder and Tension Bracket Base .....
225436	10883	Universal Bobbin Winder complete, Nos. 200056d, 200082b, 200299a, 202104, 202473, 202478, 225444, 225452 to 225460, 225462, 225463 and two round head wood screws 1 in., No. 13 .....

### KNEE LIFTER

227781	10958	Knee Lifter Rock Lever with 200522c and 200529c .....
227782	—	Knee Lifter Rock Lever 227781 with two each 202451 and 202452
227783	10958	Knee Lifter Rock Lever 227782 with 202985 and 227784 .....
202453	10958	Knee Lifter Rock Lever Knee Plate with 200526c .....
202985	—	Knee Lifter Rock Lever Knee Plate 202453 with 202455 .....
202455	10958	Knee Lifter Rock Lever Knee Plate Arm (short) .....
200522c	12319	Knee Lifter Rock Lever Knee Plate Arm Set Screw .....
200526c	12319	Knee Lifter Rock Lever Knee Plate Set Screw .....
202451	10958	Knee Lifter Rock Lever Lug with two wood screws 2 in., No. 13t ...
202452	12319	Knee Lifter Rock Lever Lug Hinge Pin .....
227784	10958	Knee Lifter Rock Lever Rod, 3 in. long, with 227785 .....
*227785	—	Knee Lifter Rock Lever Rod Cap or Oil Guard .....
200529c	12319	Knee Lifter Rock Lever Rod Set Screw .....

(Other Knee Lifter Parts are listed with parts of machine head).

## FEED DOGS

No.	Plate	Name
212829	13414	Feed Dog, for 212828 .....
212830	13414	" " " 212828 .....

## PRESSER FEET

No.	Plate	Name
200436F	13494	Presser Foot Adjusting Screw ....
200086F	13414	" " " " Clamp Screw .....
221479	13404	Presser Foot Hinge Pin .....
229685	13404	" " " Stud .....
260397n	13494	" " " " Set Screw
229706	13417	" " Plate (left) .....
221464	-----	" " " " .....
229707	13417	" " " (right) .....
221463	-----	" " " " .....
229672	11646	" " Shank (left) with 200086F, 200397n and 200436F ...
229772	-----	Presser Foot Shank 229672 with 221479 and 229706 .....
221465	-----	Presser Foot Shank 229672 with 221464 and 221479 .....
229676	13417	Presser Foot Shank (right) with 200086F .....
229773	-----	Presser Foot Shank 229676 with 221479 and 229707 .....
221466	-----	Presser Foot Shank 229676 with 221463 and 221479 .....
200086F	13414	Presser Foot Shank (right) Set Screw .....
229708	13417	Presser Foot (hinged) (wide) com- plete, Nos. 229685, 229772 and 229773 .....
221467	13417	Presser Foot (hinged) complete, Nos. 221465, 221466 and 229685 ...

## THROAT PLATES

No.	Plate	Name
212828	13414	Throat Plate with 212869 and two 200587E, for 212829 and 212830 ..
212869	13418	Throat Plate Needle Guard .....

## PIERCERS

213832	13414	Auxiliary Piercer .....
213833	13414	" " .....
213834	13414	" " .....
213830	13414	Piercer .....
213831	13414	" .....

Note: Nos. 213830 to 213834 made for 8 stitches to the inch.

## HEMMERS

No.	Plate	Name
230192	11649	Hemmer on Shank, for hems $\frac{1}{4}$ to $\frac{1}{2}$ inch .....

Note: State width required on order.

### HEMMER (REVERSE)

230190	11649	Hemmer on Shank, for hems $\frac{1}{4}$ to $\frac{1}{2}$ inch .....
--------	-------	---

Note: State width required on order.

### HEMMER

(Right Hand)

Folds  $\frac{1}{8}$  in. Hem.

230534	14608	Base Plate with 225706 .....
225706	13410	" " Position Pin .....
200246B	13410	" " Screw .....
201525E	13402	" " " Nut .....
225708	13410	" " Spring .....
230713	11650	Folder on Shank .....
200187B	13410	" " " Screw .....
230484	13410	" " " " Washer .....
230714	11651	Tongue with two 200133B .....
200133B	13410	" Screw .....
230711	11652	Hemmer complete, Nos. 200246B, 201525E, 225708, 230484, 230534, 230713, 230714 and two 200187B..

### HEMMER

(Right Hand)

Folds  $\frac{1}{8}$  in. Hem.

230534	14608	Base Plate with 225706 .....
225706	13410	" " Position Pin .....
200246B	13410	" " Screw .....
201525E	13402	" " " Nut .....
225708	13410	" " Spring .....
230715	11650	Folder on Shank .....
200187B	13410	" " " Screw .....
230484	13410	" " " " Washer .....
230716	11651	Tongue with two 200103D .....
200103D	13410	" Screw .....

## Hemmers

No.	Plate	Name
230712	11652	Hemmer complete, Nos. 200246B, 201525E, 225708, 230484, 230534, 230715, 230716 and two 200187B ..

**HEMMER**

(Right Hand)

Folds Hems from  $\frac{3}{8}$  to  $\frac{1}{4}$  in., in steps of  $\frac{1}{16}$  inch.

Note: State width of hem required.

230534	14608	Base Plate with 225706 .....
225706	13410	" " Position Pin .....
200246B	13410	" " Screw .....
201525E	13402	" " " Nut .....
225708	13410	" " Spring .....
230532	14608	Folder on Shank .....
200187B	13410	" " " Screw .....
230484	13410	" " " Washer .....
230533	14608	Tongue with two 200133B .....
200133B	13410	" Screw .....
230535	14609	Hemmer complete, Nos. 200246B, 201525E, 225708, 230484, 230532 to 230534 and two 200187B .....

**HEMMER**

(Right Hand)

Folds Hems from  $\frac{5}{8}$  to  $2\frac{1}{2}$  in., in steps of  $\frac{1}{16}$  inch.

Note: State width of hem required.

230534	14608	Base Plate with 225706 .....
225706	13410	" " Position Pin .....
200246B	13410	" " Screw .....
201525E	13402	" " " Nut .....
225708	13410	" " Spring .....
230540	11650	Folder on Shank .....
200187B	13410	" " " Screw .....
230484	13410	" " " Washer .....
230539	11651	Tongue with two 200103D .....
200103D	13410	" Screw .....
230542	14609	Hemmer complete, Nos. 200246B, 201525E, 225708, 230484, 230534, 230539, 230540 and two 200187B ..

**HEMMER (REVERSE)**

(Right Hand)

Folds Hems from  $\frac{1}{4}$  to  $2\frac{3}{4}$  in., in steps of  $\frac{1}{16}$  inch.

Note: State width of hem required.

230756	11651	Base Plate with 225706 .....
225706	13410	" " Position Pin .....
200246B	13410	" " Screw .....

## Hemmers

No.	Plate	Name
201525E	13402	Base Plate Screw Nut .....
225708	13410	" " Spring .....
230537	14608	Folder on Shank .....
200187B	13410	" " " Screw .....
230484	13410	" " " Washer .....
230536	14608	Tongue with two 200103D .....
200103D	13410	" Screw .....
230538	11652	Hemmer (reverse) complete, Nos. 200246B, 201525E, 225708, 230484, 230536, 230537, 230756 and two 200187B .....

**HEMMER (ADJUSTABLE)**

(Right Hand)

Folds Hems from  $\frac{1}{2}$  to  $2\frac{1}{4}$  inches.

230524	14606	Base Plate with 225706 .....
225706	13410	" " Position Pin .....
200246B	13410	" " Screw .....
201525E	13402	" " " Nut .....
225708	13410	" " Spring .....
230519	14606	Bracket (lower) with two 200078B ..
200158B	13410	" " Screw .....
230484	13410	" " Washer .....
230521	14606	" (upper) with 200462B and two 200160B .....
200078B	12307	Bracket (upper) Screw .....
230518	14606	Folder Arm and Guard (left) .....
200160B	13410	" " " " Screw .....
230520	14606	" and Arm (right) .....
200462B	13410	" " " " Adjustable Thumb Screw .....
226163	13410	Folder and Arm (right) Adjustable Thumb Screw Washer .....
230523	14606	Tongue (left) with two 200164B ..
200164B	13410	" " Screw .....
230522	14606	" (right) with two 200164B .....
200164B	13410	" " Screw .....
230525	14609	Hemmer (adjustable) complete, Nos. 200246B, 201525E, 225708, 226163, 230484, 230518 to 230524 and two 200158B .....

**HEMMER (REVERSE) (ADJUSTABLE)**

(Right Hand)

Folds Hems from  $\frac{1}{2}$  to  $2\frac{1}{2}$  inches.

230529	11607	Base Plate with 225706 .....
225706	13410	" " Position Pin .....
200246B	13410	" " Screw .....

No.	Plate	Name
201525E	13402	Base Plate Screw Nut .....
225708	13410	" " Spring .....
230528	14607	Folder Arm and Guard (left) with two 200155F .....
200187B	13410	Folder Arm and Guard (left) Screw
230484	13410	" " " " " "
		Washer .....
230526	14607	Folder and Arm (right) with two 200155F .....
200469B	13410	Folder and Arm (right) Adjustable Thumb Screw .....
226163	13410	Folder and Arm (right) Adjustable Thumb Screw Washer .....
230530	14607	Tongue (left) .....
230527	14607	" (right) .....
200155F	13410	" Screw .....
230531	14609	Hemmer (reverse) (adjustable) complete, Nos. 200246B, 200469B, 201525E, 225708, 226163, 230484, 230526 to 230530 and two 200187B

#### HEMMER (ADJUSTABLE) (Left Hand)

Folds Hems from  $\frac{1}{2}$  to  $2\frac{1}{4}$  inches.

230516	14605	Base Plate with 225706 .....
225706	13410	" " Position Pin .....
200246B	13410	" " Screw .....
201525E	13402	" " " Nut .....
225708	13410	" " Spring .....
230515	14605	Bracket (lower) with two 200078B
200158B	13410	" " Screw .....
230484	13410	" " Washer .....
230514	14605	" (upper) with 200462B and two 200160B .....
200078B	12307	Bracket (upper) Screw .....
230510	14605	Folder Arm and Guard (right) ....
200160B	13410	" " " " Screw .....
230511	14605	" and Arm (left) .....
200462B	13410	" " " " Adjustable Thumb Screw .....
226163	13410	Folder and Arm (left) Adjustable Thumb Screw Washer .....
230512	14605	Tongue (left) with two 200164B ...
200164B	13410	" " Screw .....
230513	14605	" (right) with two 200164B ...
200164B	13410	" " Screw .....
230517	14609	Hemmer (adjustable) (left hand) complete, Nos. 200246B, 201525E, 225708, 226163, 230484, 230510 to 230516 and two 200158B .....

## BOX PLAITER

(ADJUSTABLE)

No.	Plate	Name
230001	14526	Base Plate .....
230002	14526	" " Arm Bracket with two 200344e .....
200344c	14527	Base Plate Arm Bracket Adjusting Screw .....
200048B	14527	Base Plate Arm Bracket Screw ...
230003	14526	" " Cloth Guide (left) ....
230004	14526	" " " " (right) ....
200169B	14527	" " " " Screw .....
200048B	14527	" " Screw .....
230005	14527	Folder Blade (left) (adjustable) ..
230006	14527	" " (right) (adjustable) ..
230007	14526	" " Plate .....
200344c	14527	" " " Adjusting Screw
200053B	12311	" " " " Screw .....
200169B	14527	" " " " Screw .....
230008	14527	Presser Foot .....
230009	14528	Space Gauge (left) .....
230010	14528	" " (right) .....
230011	14528	" " Adjustable Slide (left)
230012	-----	" " " " " " 230011 with 200176B, 200186B, 202603 and 230009 .....
230013	14528	Space Gauge Adjustable Slide (right) .....
230014	14529	Space Gauge Adjustable Slide 230013 with 200176B, 200186B, 202603 and 230010 .....
200186B	14527	Space Gauge Screw (long) .....
202603	14527	" " " " Washer
200176B	14527	" " " (short) .....
200472B	14527	" " Thumb Screw .....
202603	14527	" " " " Washer
230015	14529	Box Plaiter (adjustable) complete, Nos. 200472B, 202603, 230001 to 230008, 230012, 230014, two 200053B, four 200169B and five 200048B .....



## LAP SEAM FELLER

(ADJUSTABLE)

For Joining Lace to Cloth or Two Pieces of Cloth with  
Double Hemstitch.

No.	Plate	Name
230258	14581	Folder on Shank (left) .....
230259	14581	" " " (right) .....
230260	14581	" Base Plate .....
200157B	13410	" " " Screw .....
200170B	13410	" Screw .....
230261	14581	Lap Seam Feller (adjustable) com- plete, Nos. 230258 to 230260 and two 200170B .....

## OBSOLETE PARTS

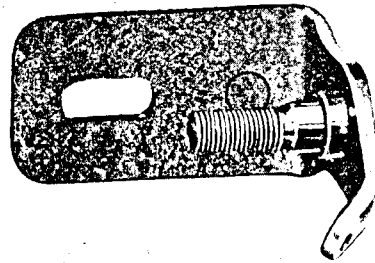
No.	Plate	Name
202470	12320	Bobbin Winder Base .....
202471	12320	" " Frame .....
202472	12319	" " " Spring .....
202474	12320	" " Spindle .....
227522	12319	" " Stop Latch .....
202477	12319	" " " Thumb Lever .....
227523	12320	Bobbin Winder complete, Nos. 200056B, 200161D, 200221D, 201537H, 202470 to 202474, 202477, 202478, 227522, three 200299H and two round head wood screws 1 in., No. 13 .....
202480	12320	Bobbin Winder Spool Holder Base with 200355H and 202484 .....
202481	12320	Bobbin Winder Spool Holder Base Spool Pin .....
202482	12319	Bobbin Winder Spool Holder Ten- sion Disc (lower or upper) ....
202483	12319	Bobbin Winder Spool Holder Ten- sion Disc Spring (brass) .....
202484	12319	Bobbin Winder Spool Holder Ten- sion Disc Thread Guide .....
202485	12320	Bobbin Winder Spool Holder com- plete, Nos. 200011E, 202480, 202481, 202483, two 202482 and one wood screw 1 in., No. 13 ..
213290	11652	Face Plate with 200366H, 202087, two each 200368H, 200397H and 202090, for 213291 .....
213291	11652	Face Plate complete, Nos. 200161D, 200303H, 200577H, 202088, 202872, 213213, 213214, 213231, 213266, 213267, 213290, 234703, two each 200290H, 201537H, 204059, 213872 and 225604 .....
203250	13418	Hook Driving Shaft Collar with two 200393C .....
213198	13410	Needle Vibrating Cam and Gear Driving Gear, 16 teeth, with two 200383C .....
215697	13411	Needle Vibrating Cam and Gear, 48 teeth, for 215698 .....

No.	Plate	Name
215698	---	Needle Vibrating Cam and Gear 215697 with 200062n and 213293...
213811	13410	Piercer Bar Lifting Rock Shaft Bushing .....
Nos. 229681 to 229684, for 229705 and 229727.		
229681	14204	Presser Foot Bracket .....
229682	14204	" " Heel Spring .....
229683	14204	" " " " Post .....
229684	14204	" " " " Washer .....
229703	14204	" " Plate (left), for 229769
229704	14204	" " " (right), for 229795
206651	---	" " Shank (left) with 229949, for 229763 and 229769 ...
229769	---	Presser Foot Shank 206651 with 221479 and 229703, for 229705 ...
206652	---	Presser Foot Shank (right) with 229949, for 229764 and 229795 ...
229795	---	Presser Foot Shank 206652 with 221479 and 229704, for 229705 ...
229705	14204	Presser Foot (hinged) complete, Nos. 206487, 207127, 229681 to 229684, 229769, 229795, two each 200057r, 201536r and 207125, to be used with Presser Bar 204251
229725	13408	Presser Foot Plate (left), for 229763 .....
229726	13408	Presser Foot Plate (right), for 229764 .....
229763	13408	Presser Foot Shank 206651 with 221479 and 229725, for 229727 ..
229764	13408	Presser Foot Shank 206652 with 221479 and 229726, for 229727 ..
229727	13408	Presser Foot (hinged) complete, Nos. 206487, 207127, 229681 to 229684, 229763, 229764, two each 200057r, 201536r and 207125, to be used with Presser Bar 204251
229731	13409	Presser Foot Plate (left) with 200486n and 213648, for 229791 ..
229732	13409	Presser Foot Plate (right), for 229792 .....
229791	13409	Presser Foot Shank 207136 with 200175n, 205979, 207140 and 229731, for 229733 .....
229792	13409	Presser Foot Shank 207137 with 200175n, 205979, 207140 and 229732, for 229733 .....

No.	Plate	Name
213648	13409	Presser Foot (left) Strip Guide, for 229731 .....
229733	13409	Presser Foot (hinged) (adjustable) complete, Nos. 207138, 229791, 229792, two each 200112n and 228026, to be used with Presser Bar 221468 .....
229739	13409	Presser Foot (hinged) (adjustable) complete, Nos. 207138, 229787, 229788, two each 200112n and 228026, to be used with Presser Bar 221468 .....

PLATE 10881—FULL SIZE

225461



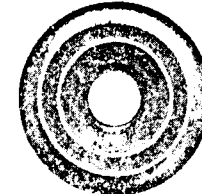
200082



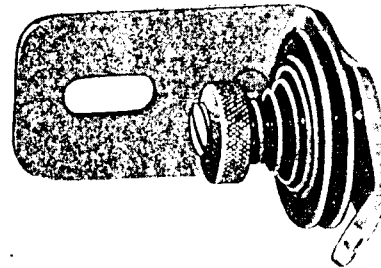
202104



2102



225462



202407



201499



201572



PLATE 10882—FULL SIZE

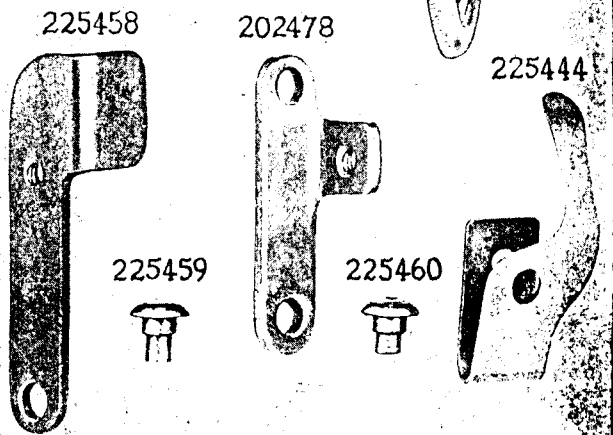
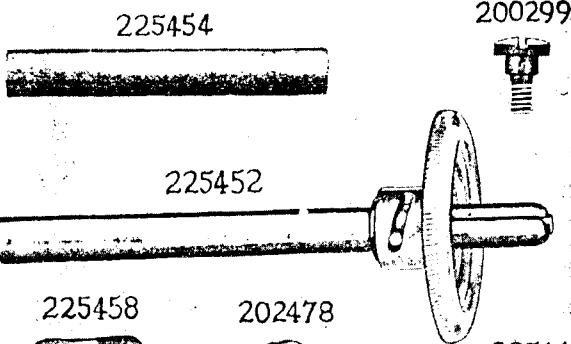
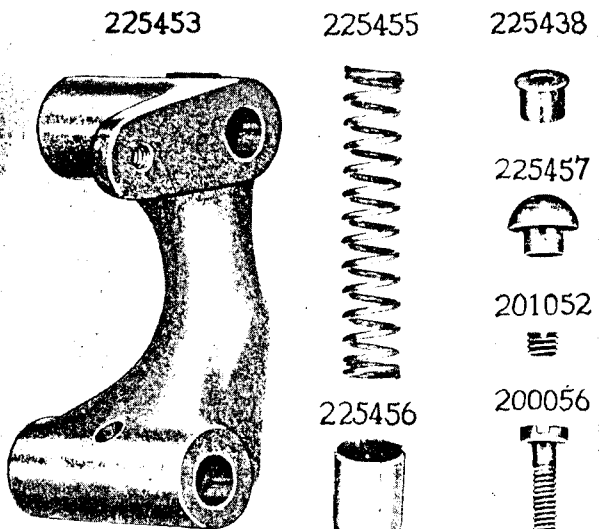


PLATE 10883—ONE-FOURTH SIZE

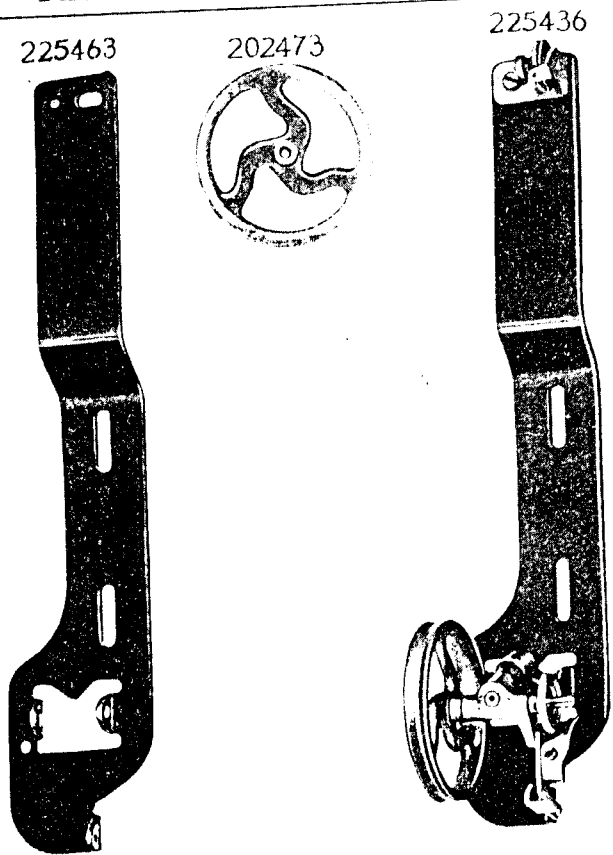


PLATE 10958—ONE-FOURTH SIZE

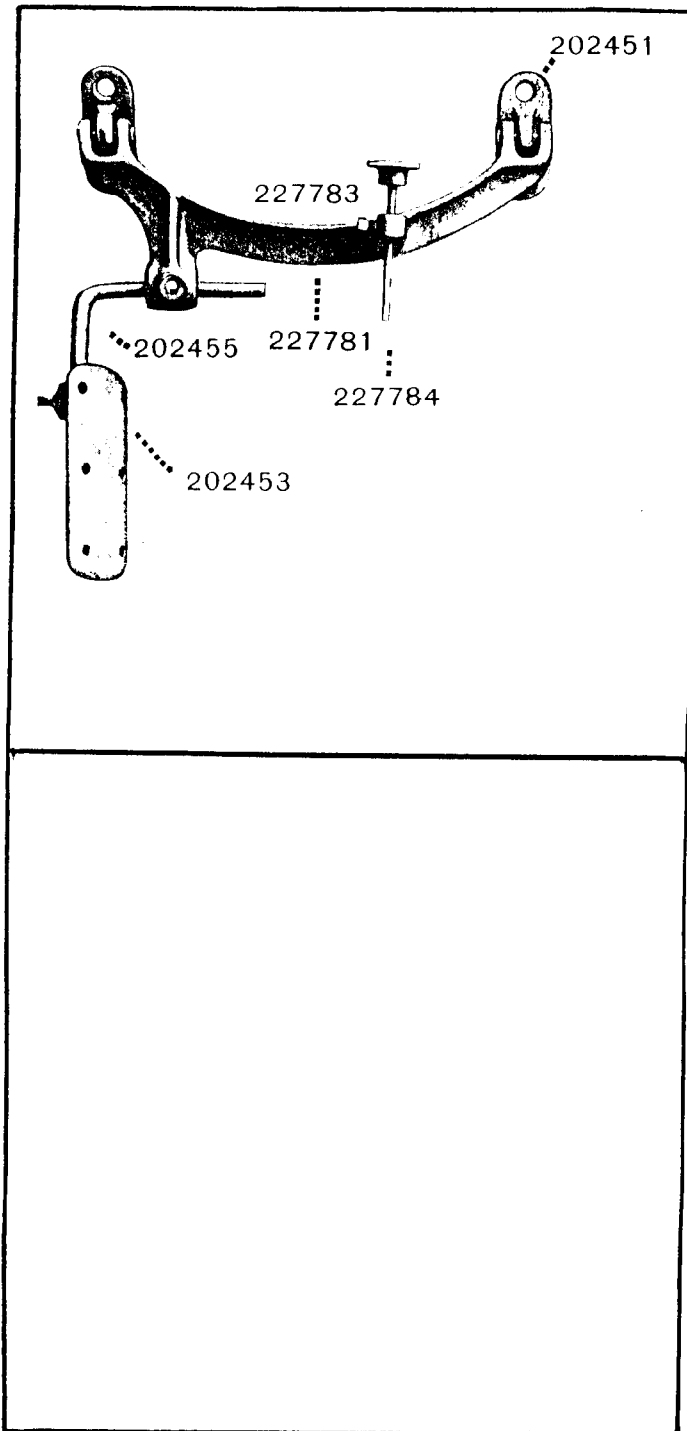


PLATE 11090—FULL SIZE

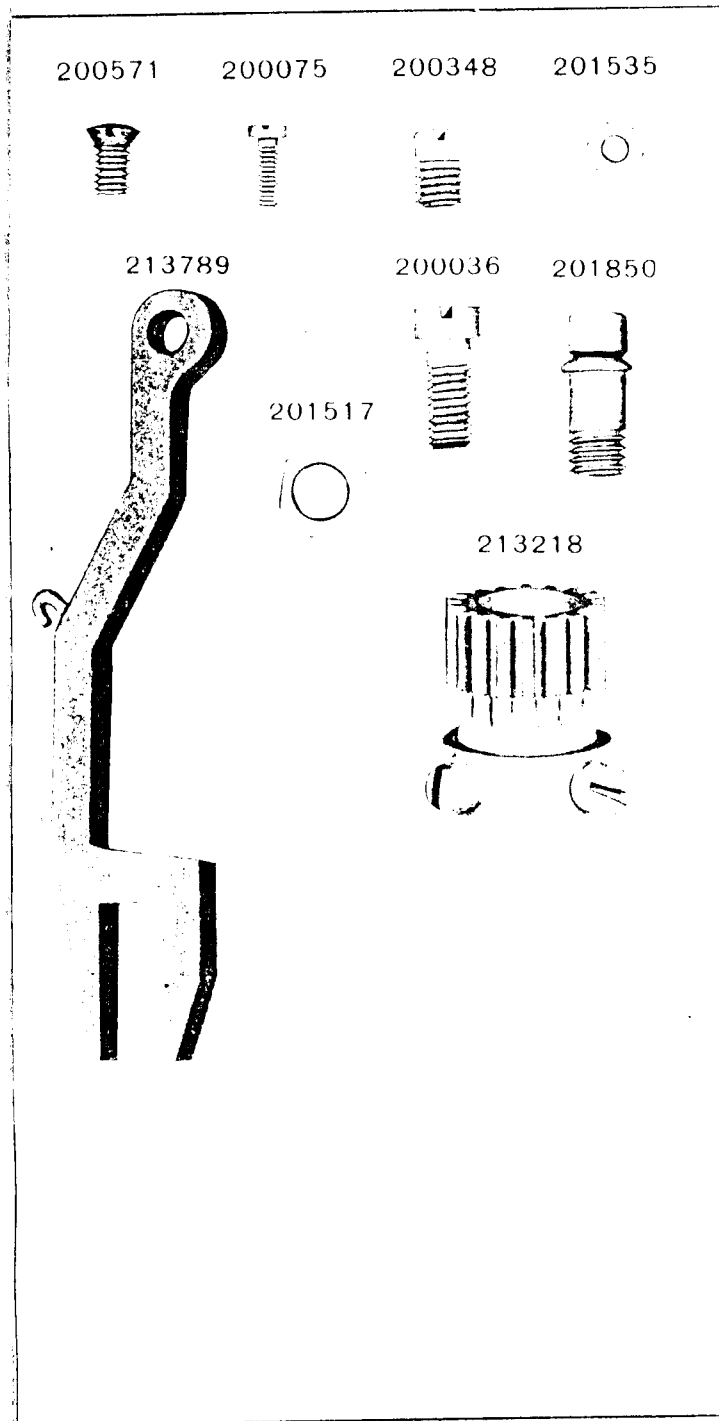
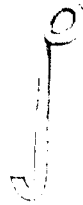
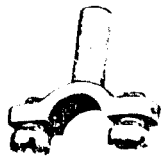


PLATE 11097—FULL SIZE

213261 200117 213266

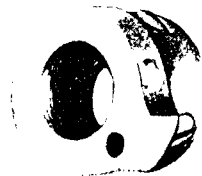


213246



213233

213234



213264

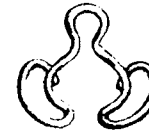
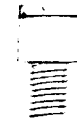


200809



PLATE 11099—FULL SIZE

213259 201807 213256



213239



213237



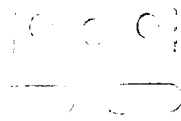
213238



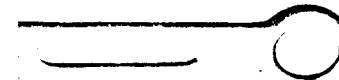
200797



213236



204922



213397

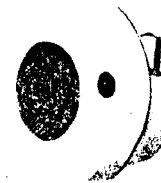


PLATE 11100—FULL SIZE

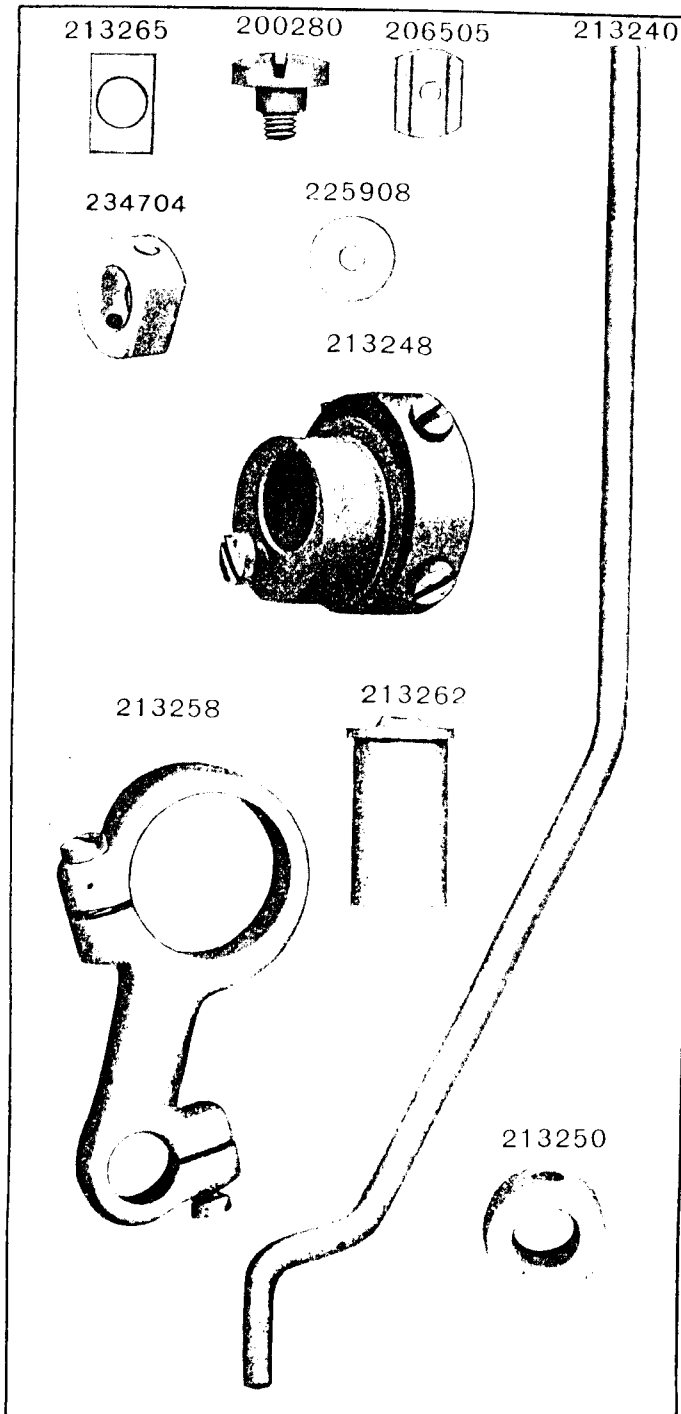


PLATE 11101—FULL SIZE

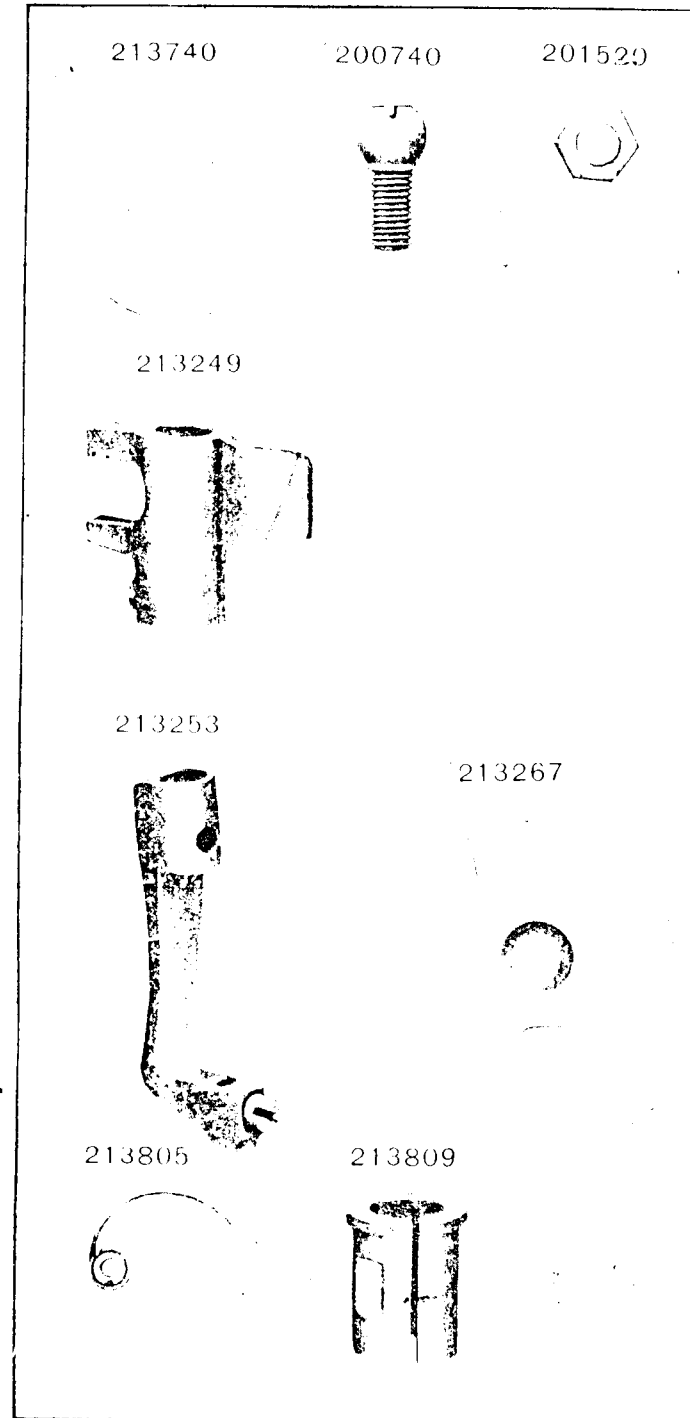


PLATE 11635--FULL SIZE

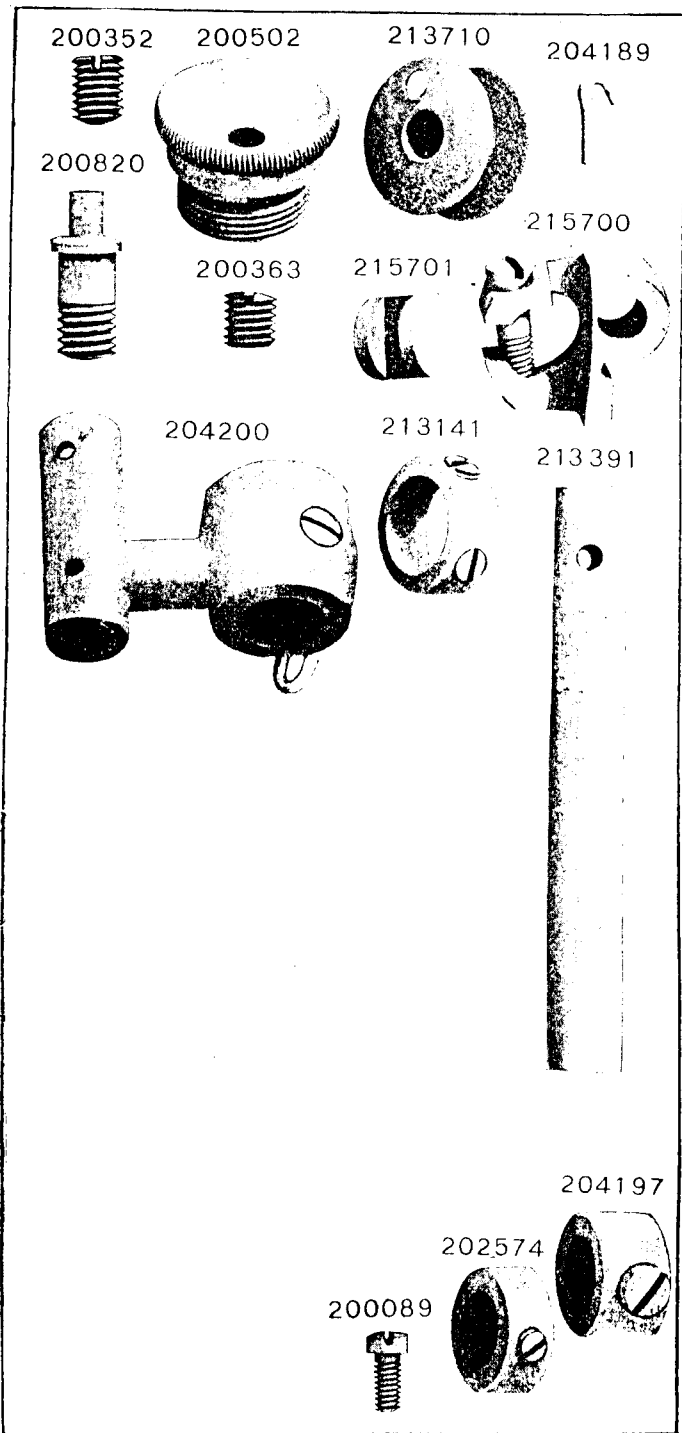


PLATE 11642--FULL SIZE

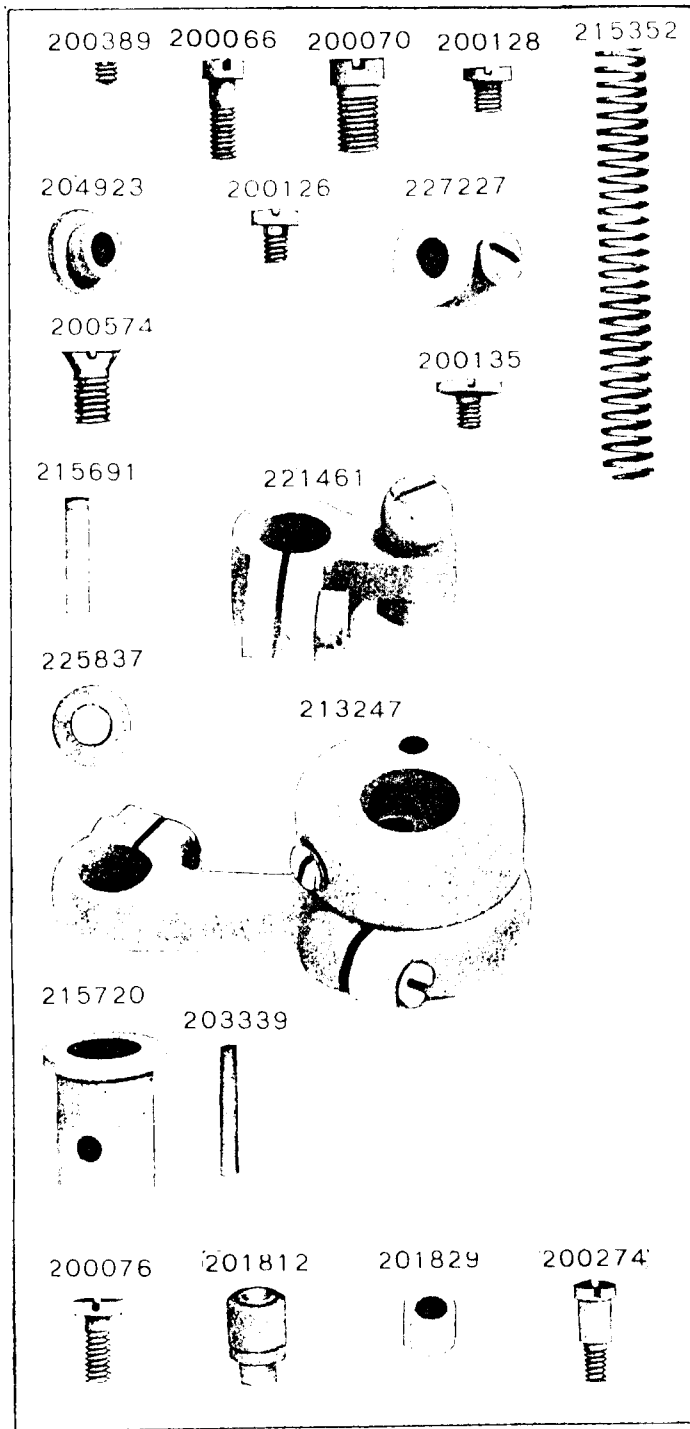




PLATE 11643 FULL SIZE

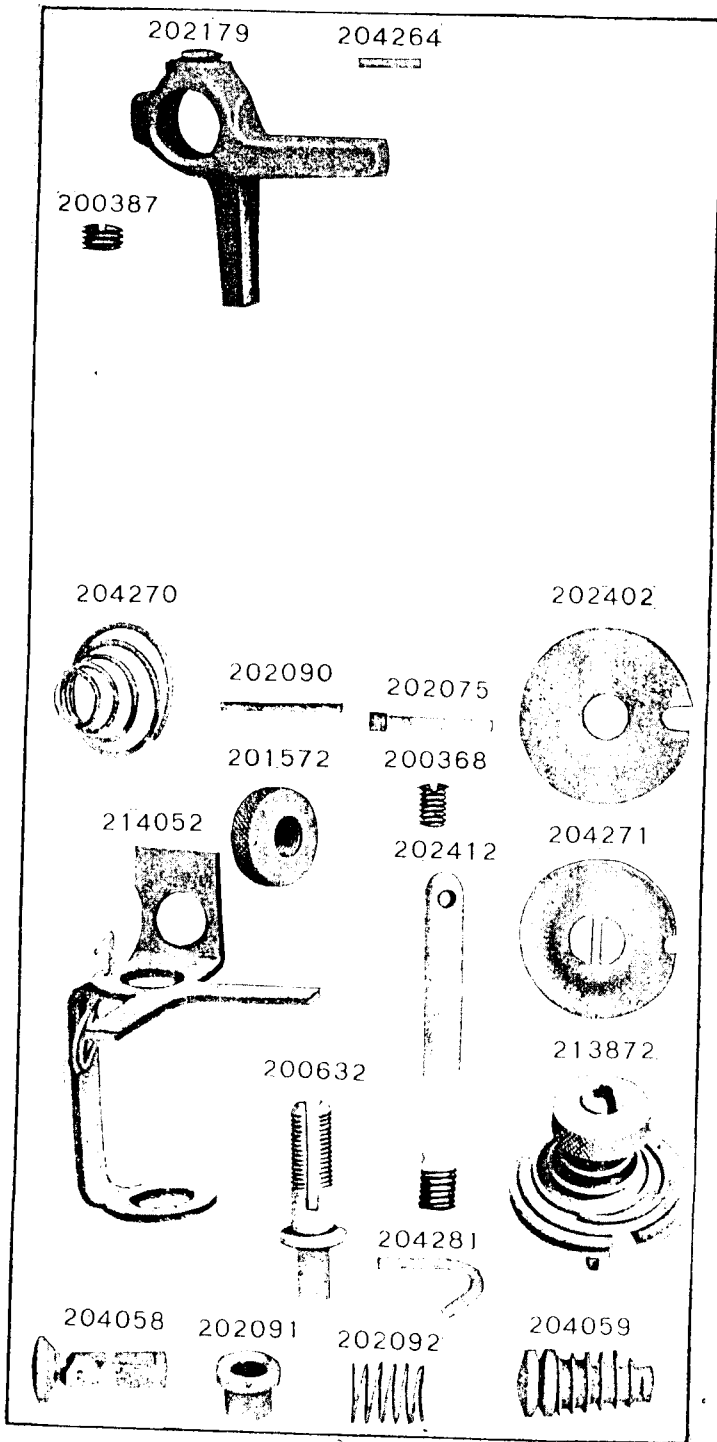


PLATE 11644 FULL SIZE

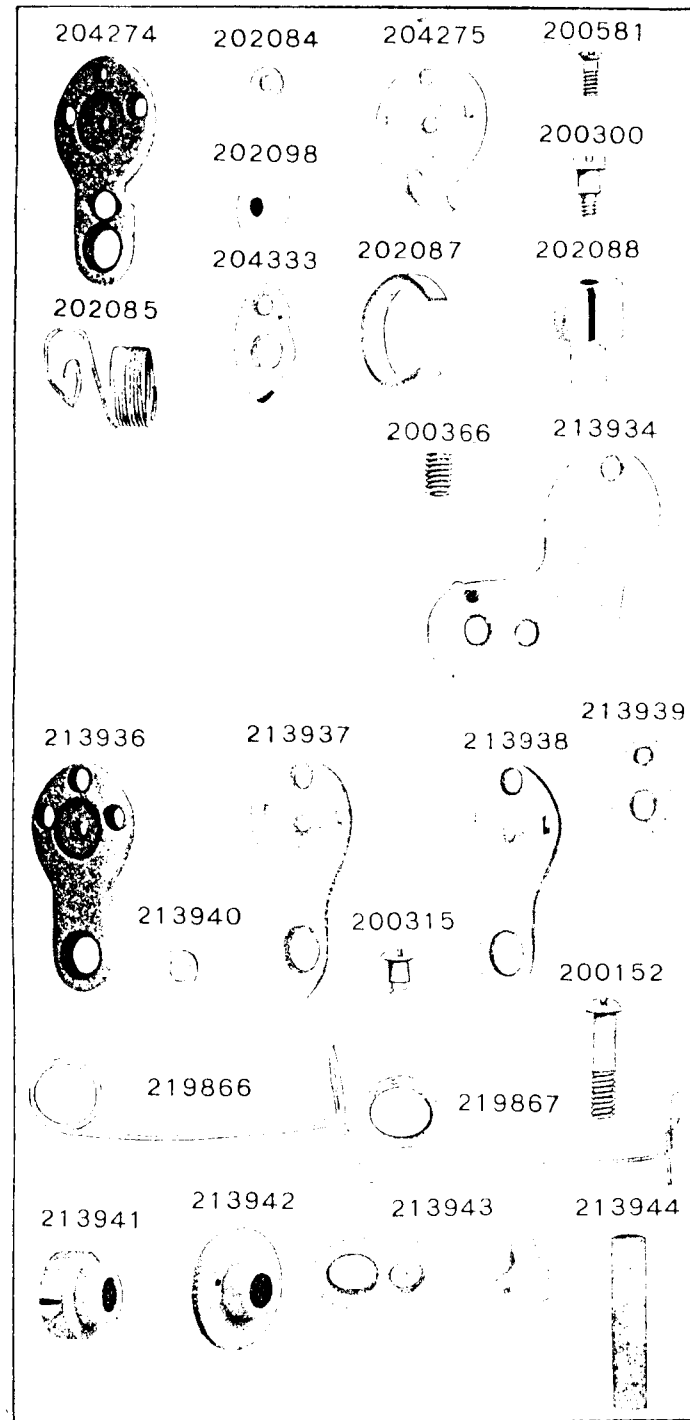
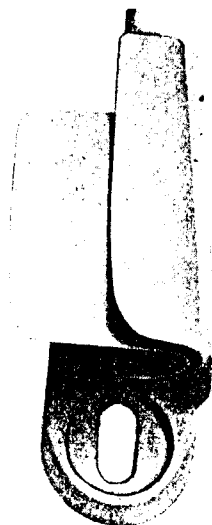


PLATE 11649 - FULL SIZE

230190



230192

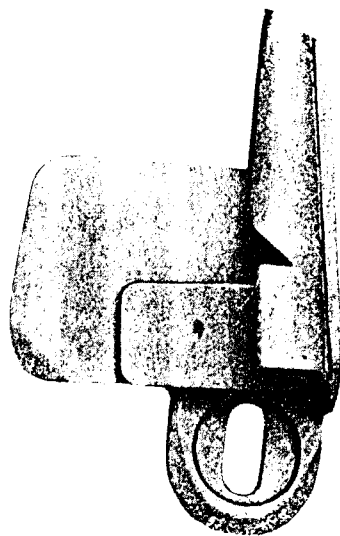
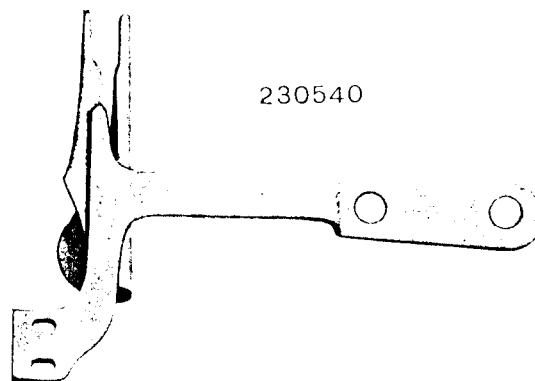
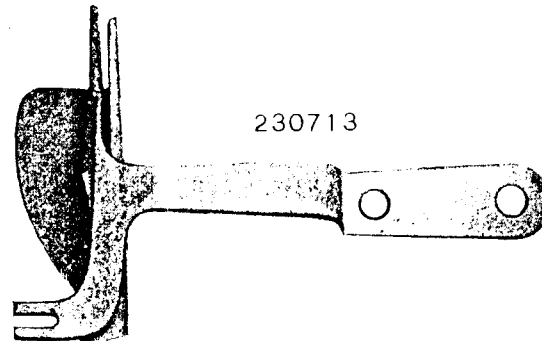


PLATE 11650 - ONE-HALF SIZE

230540



230713



230715

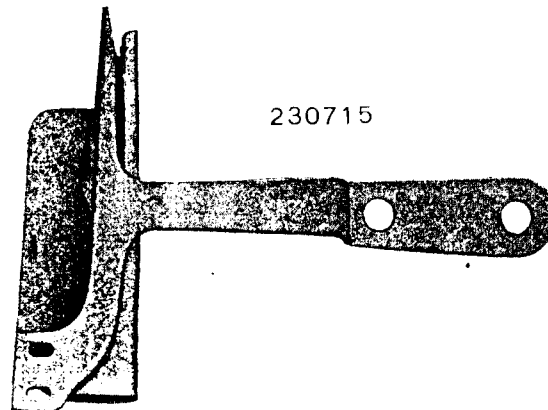
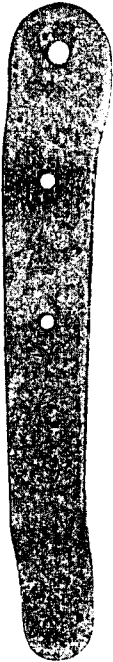


PLATE 11651 ONE-HALF SIZE

230756



230539



230714

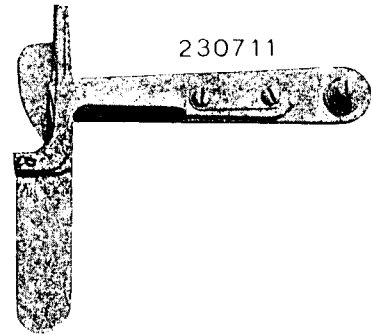


230716

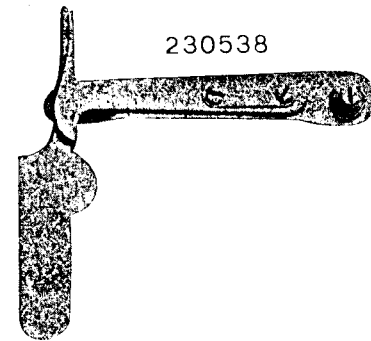


PLATE 11652 ONE-FOURTH SIZE

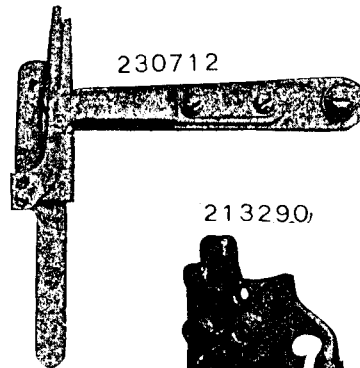
230711



230538



230712



213290



213291



PLATE 12153-ONE-HALF SIZE

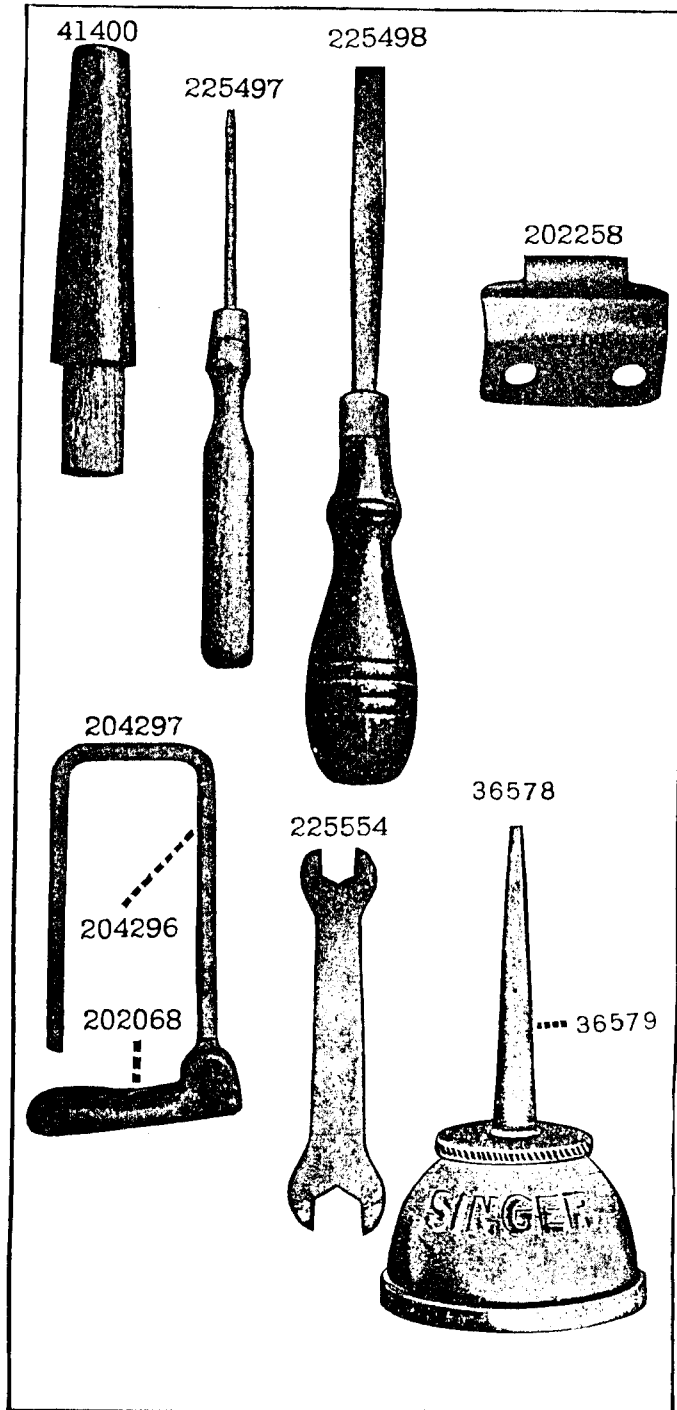


PLATE 12307-FULL SIZE

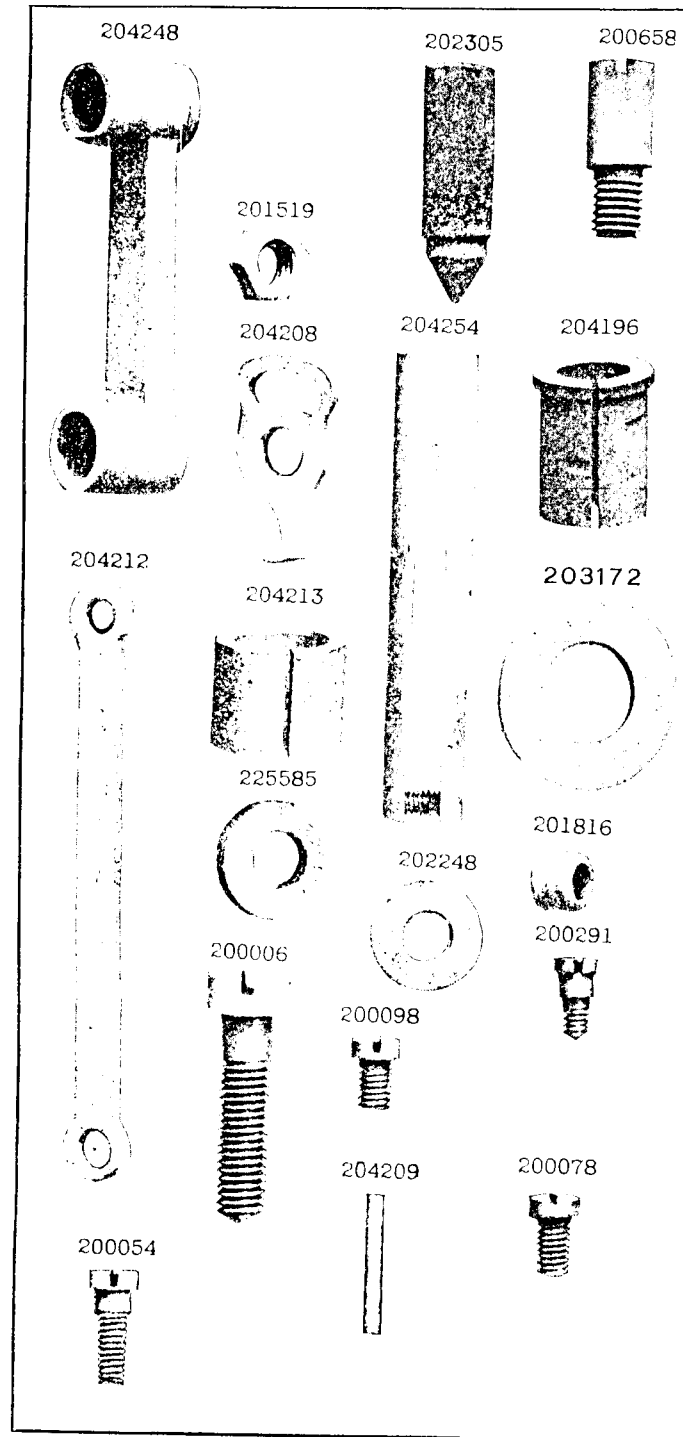


PLATE 12311-FULL SIZE

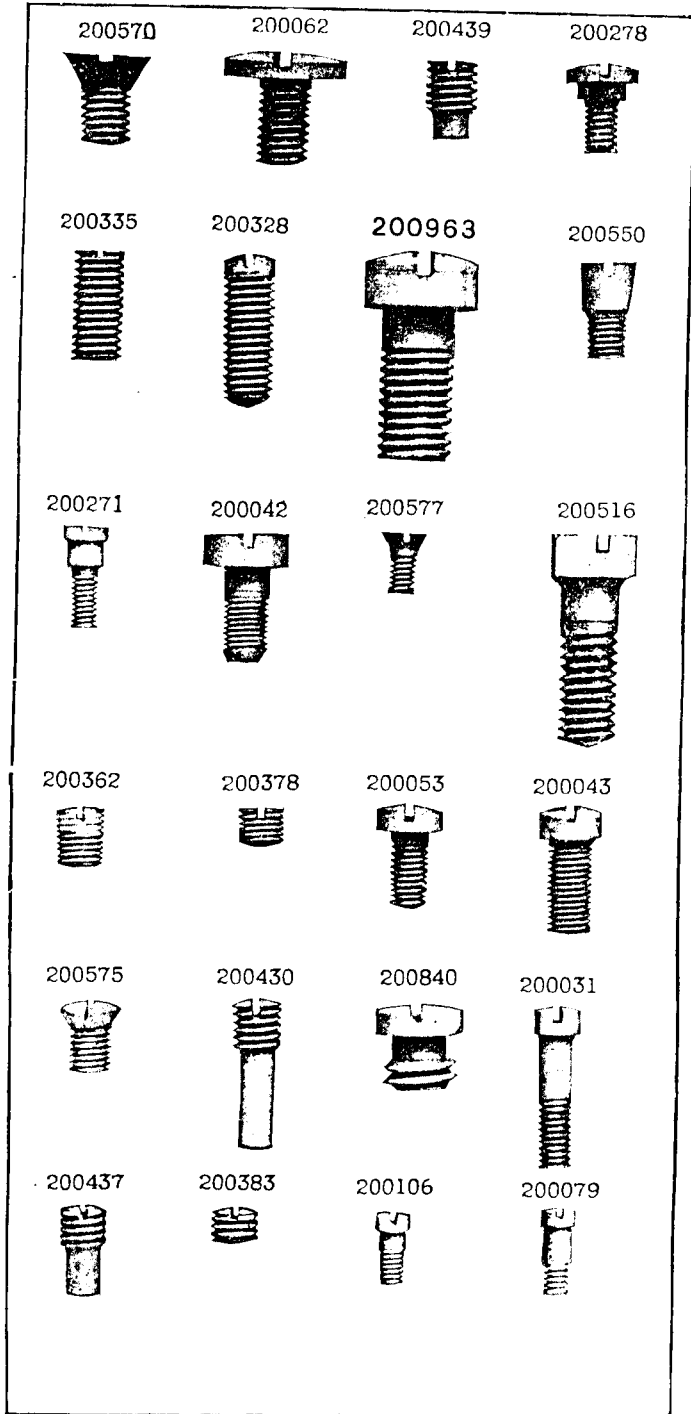


PLATE 12312 -FULL SIZE

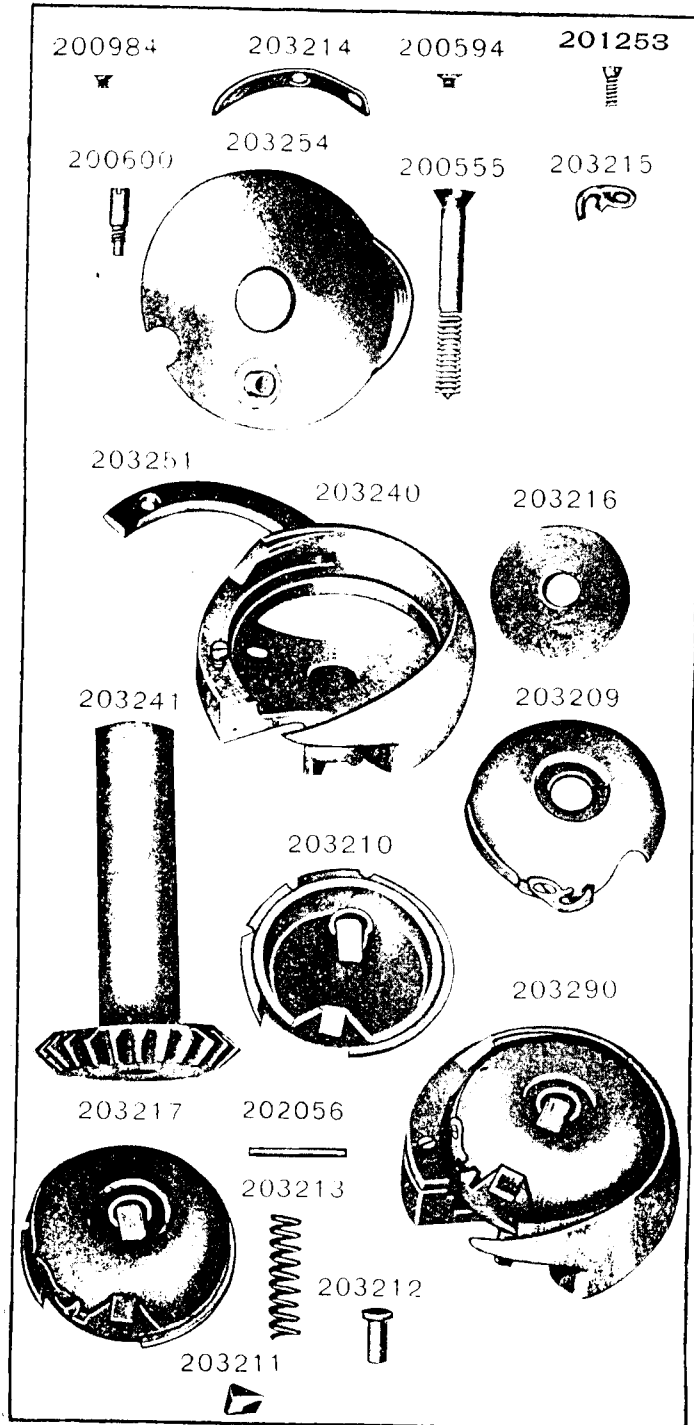
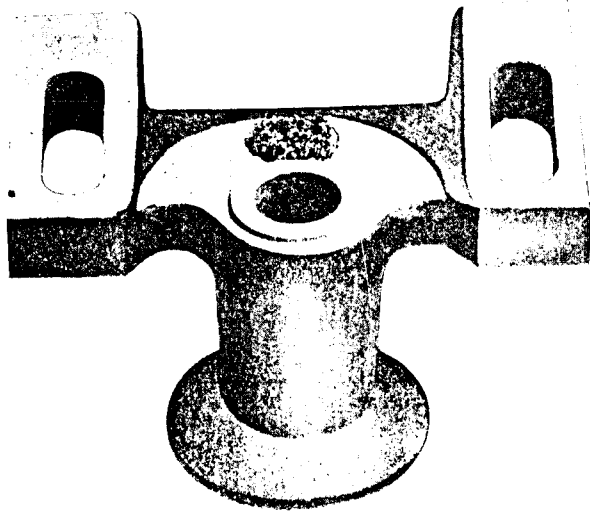


PLATE 12335—FULL SIZE

203307



203308

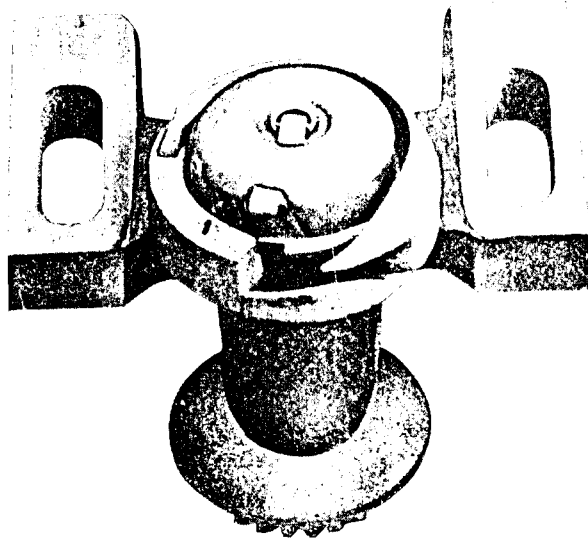
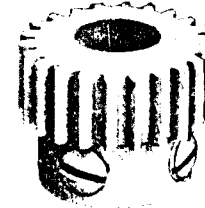


PLATE 12344—FULL SIZE

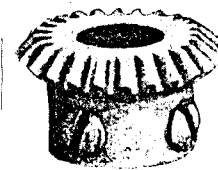
203249



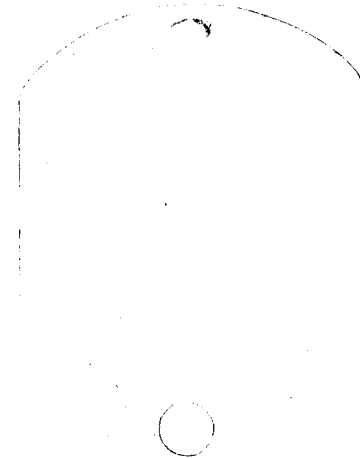
203246



203242



204163



200491



203245

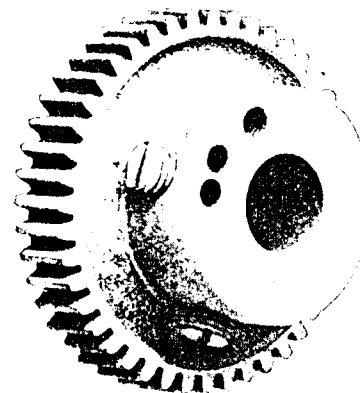
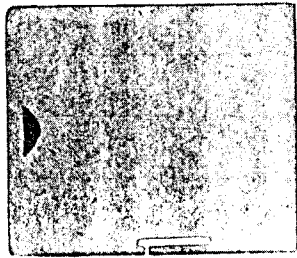
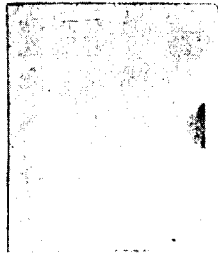


PLATE 13401—ONE-HALF SIZE

203301



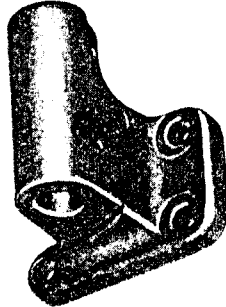
203329



204804



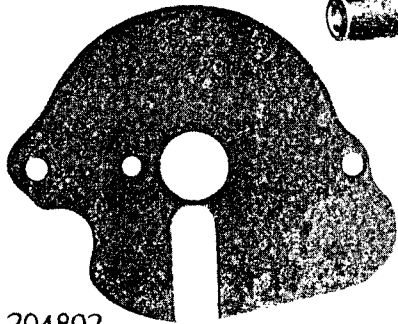
213245



204193



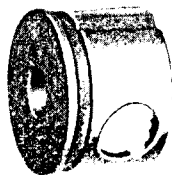
213257



204802



204801



206206

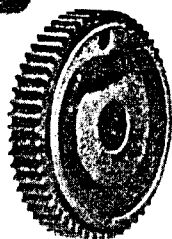
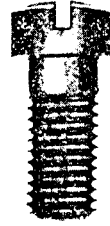


PLATE 13402—FULL SIZE

200010



202622



225604



200214



200118



204188



202036



201522



200002



200668



200243



200049



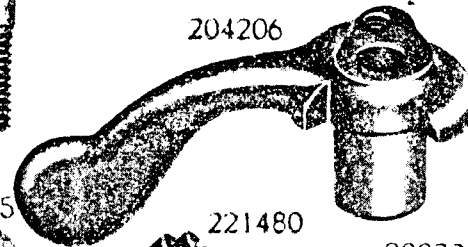
201525



204714



204206



204925



221480



200224



204211



202446



213222



202302



200346



201376



PLATE 13409—FULL SIZE

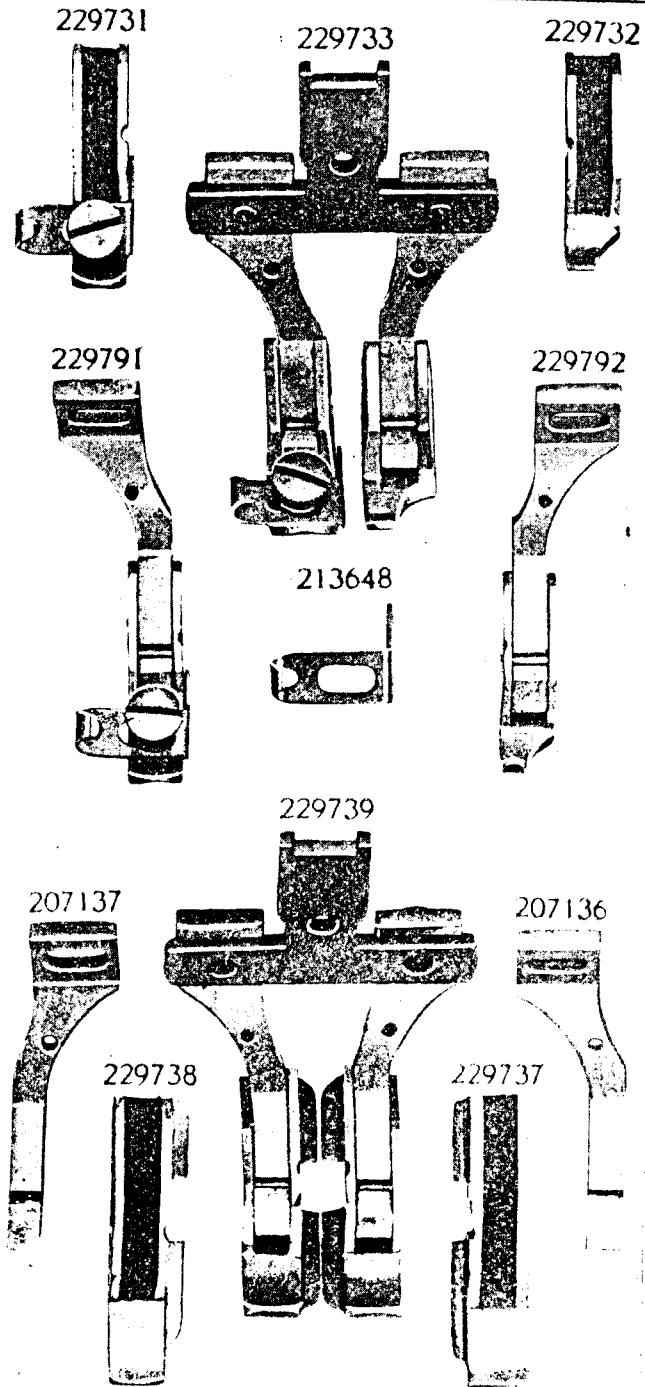


PLATE 13410—FULL SIZE

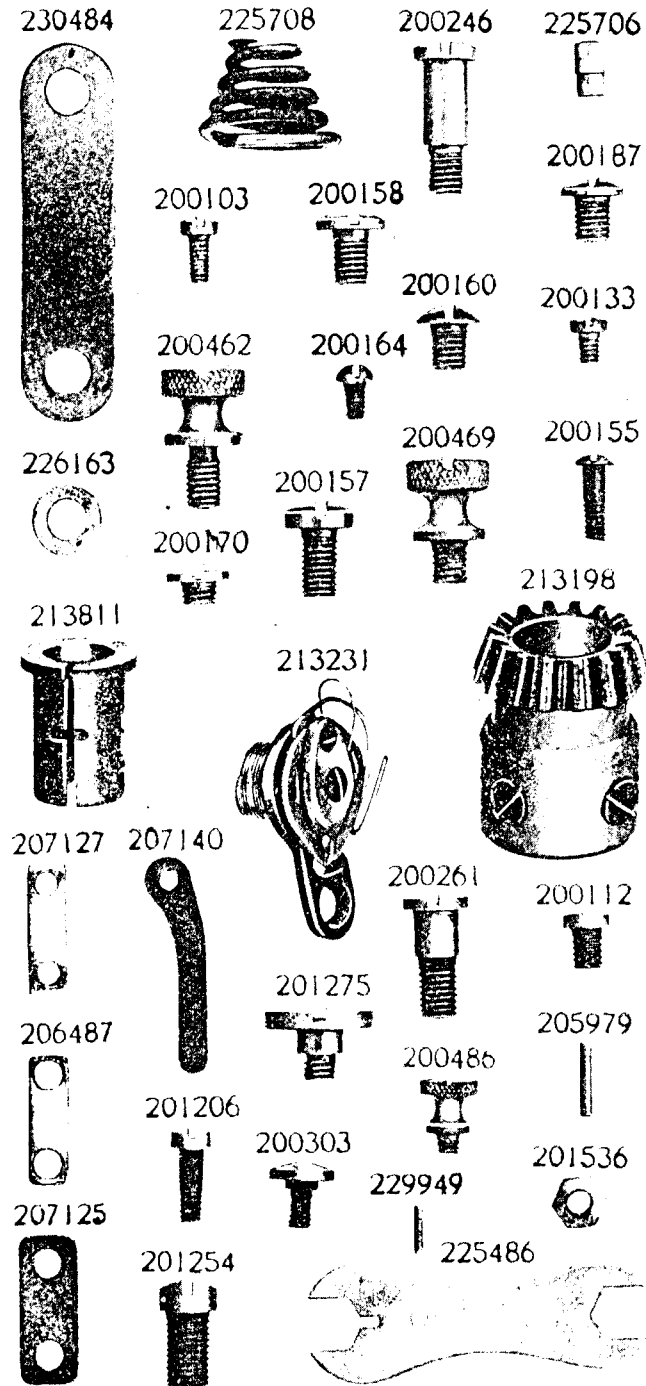




PLATE 13414—FULL SIZE

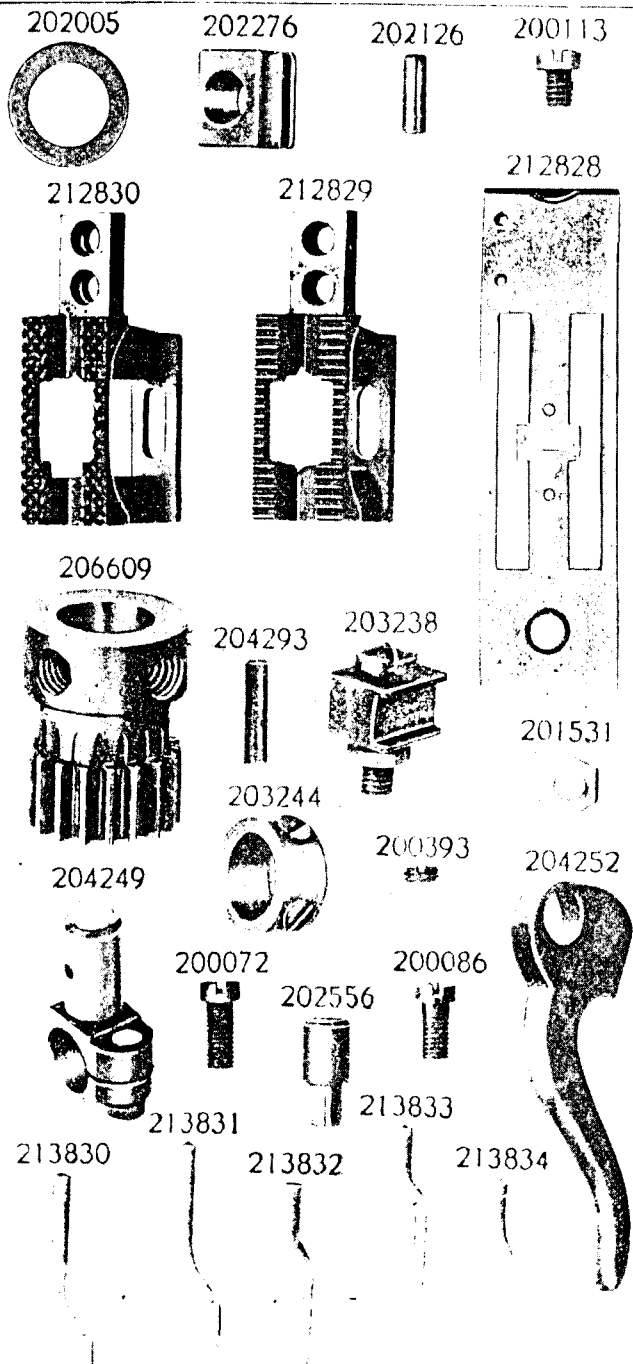


PLATE 13415—ONE-FOURTH SIZE

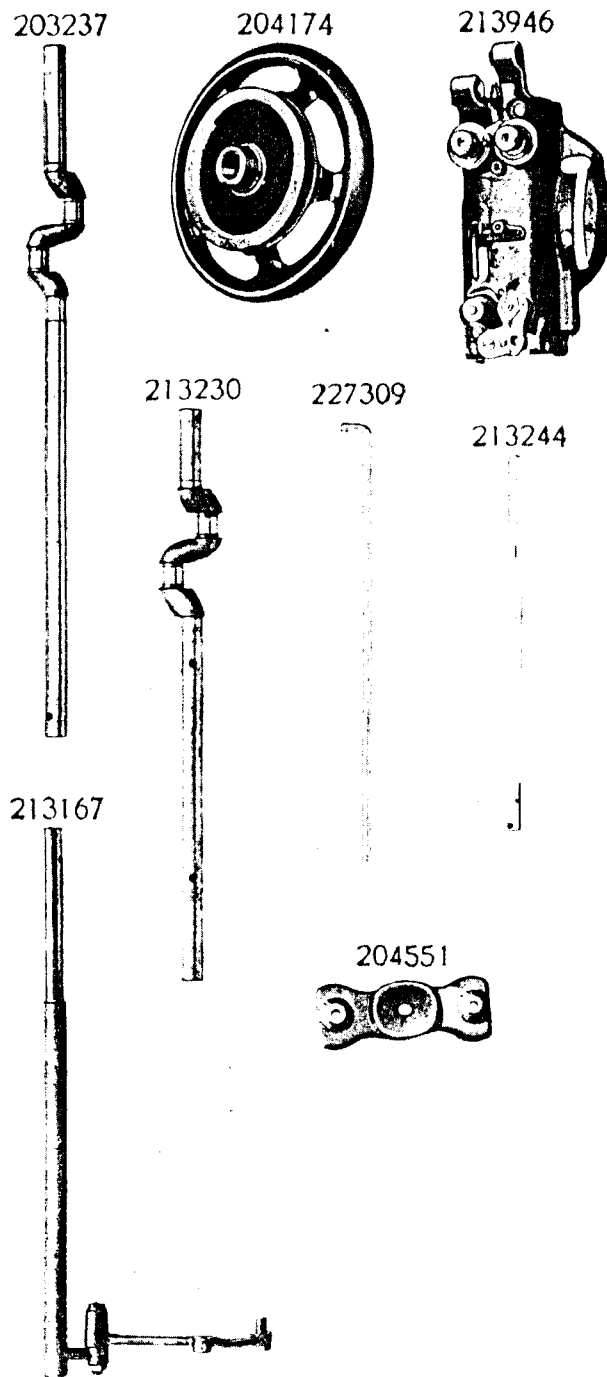


PLATE 13416—ONE-HALF SIZE

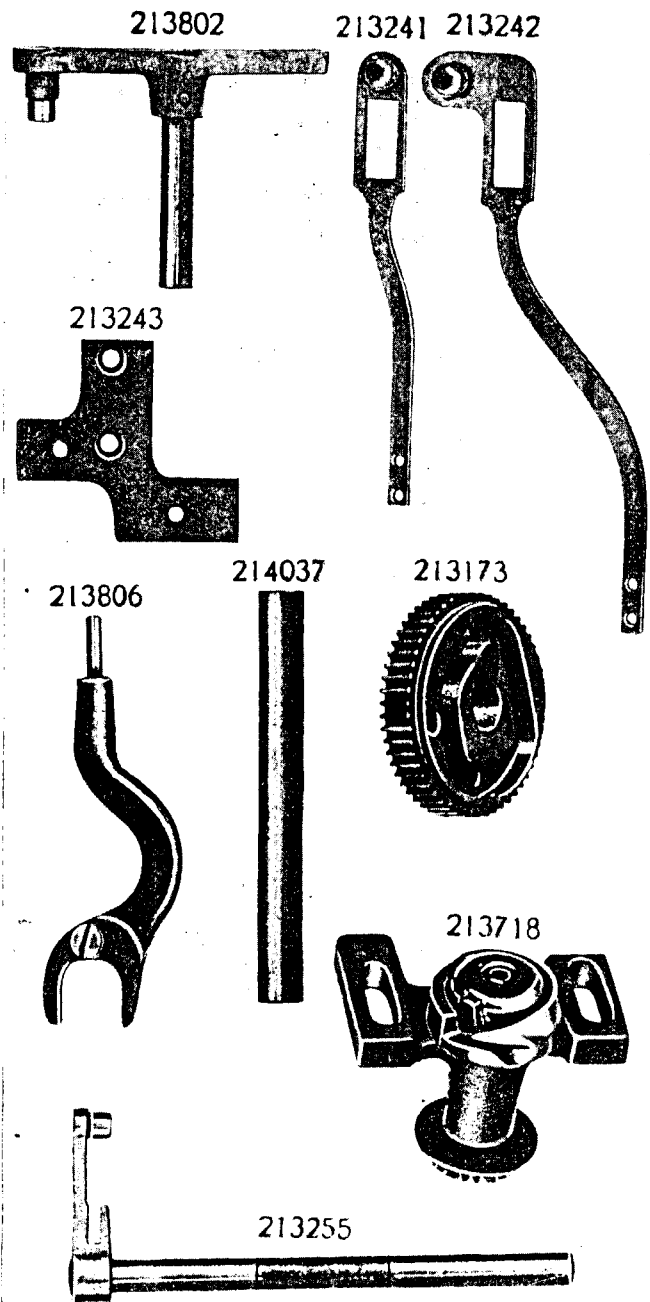


PLATE 13417—FULL SIZE

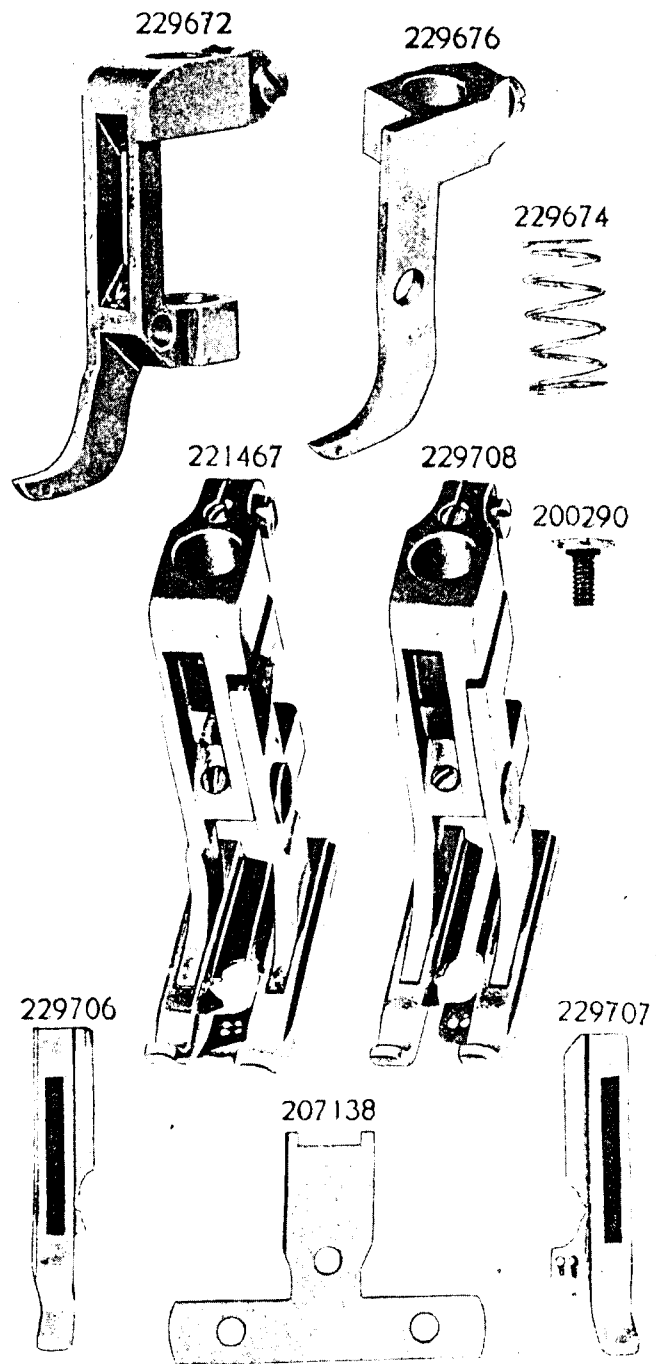


PLATE 13418—FULL SIZE

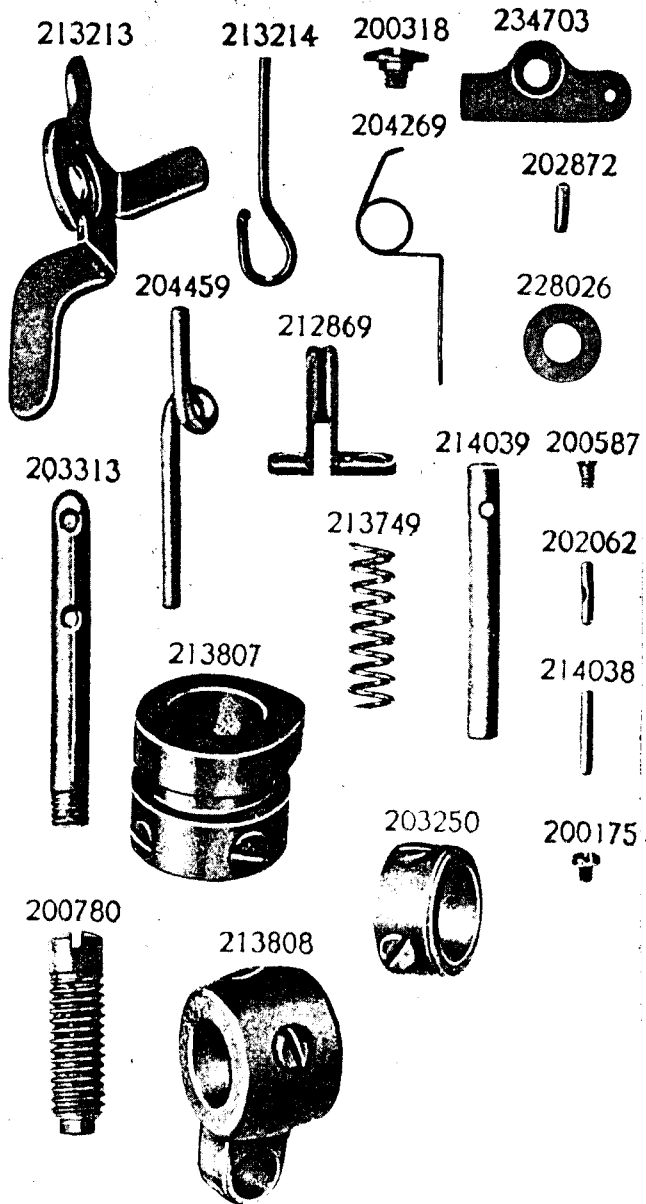


PLATE 14204—FULL SIZE

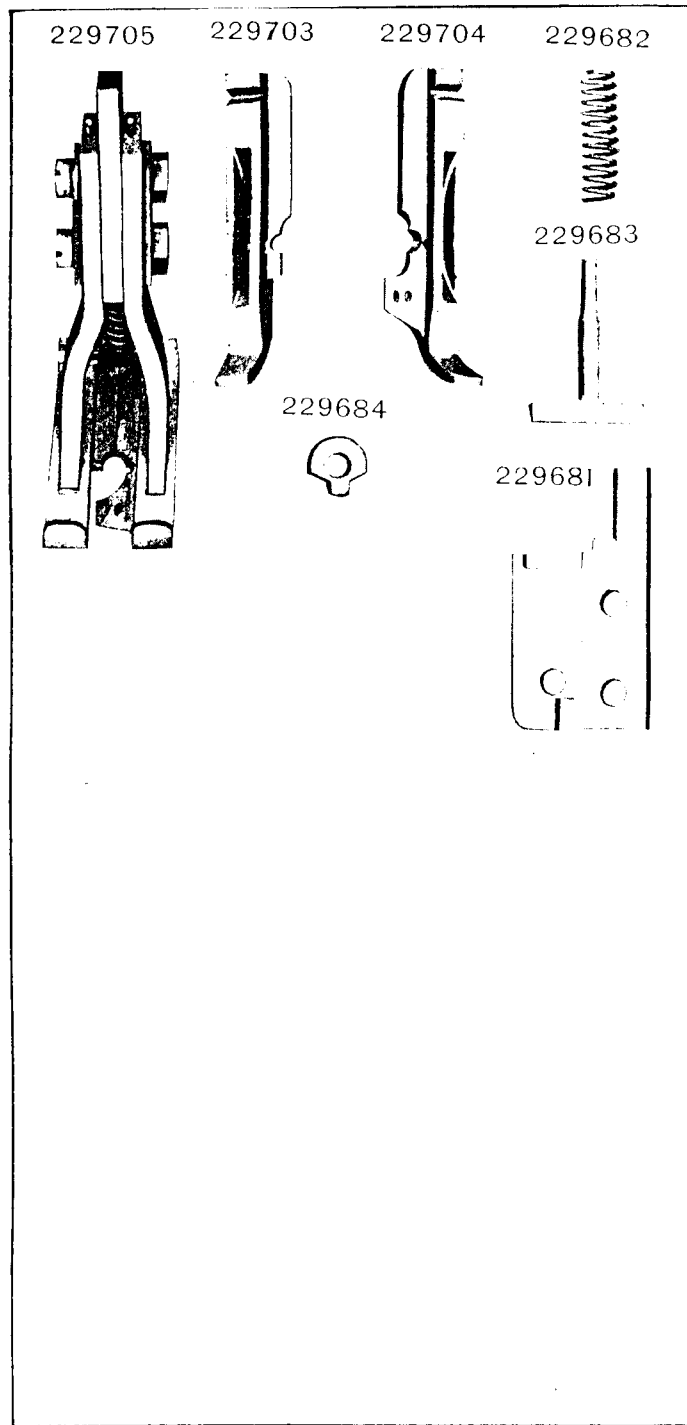


PLATE 14526—ONE-HALF SIZE

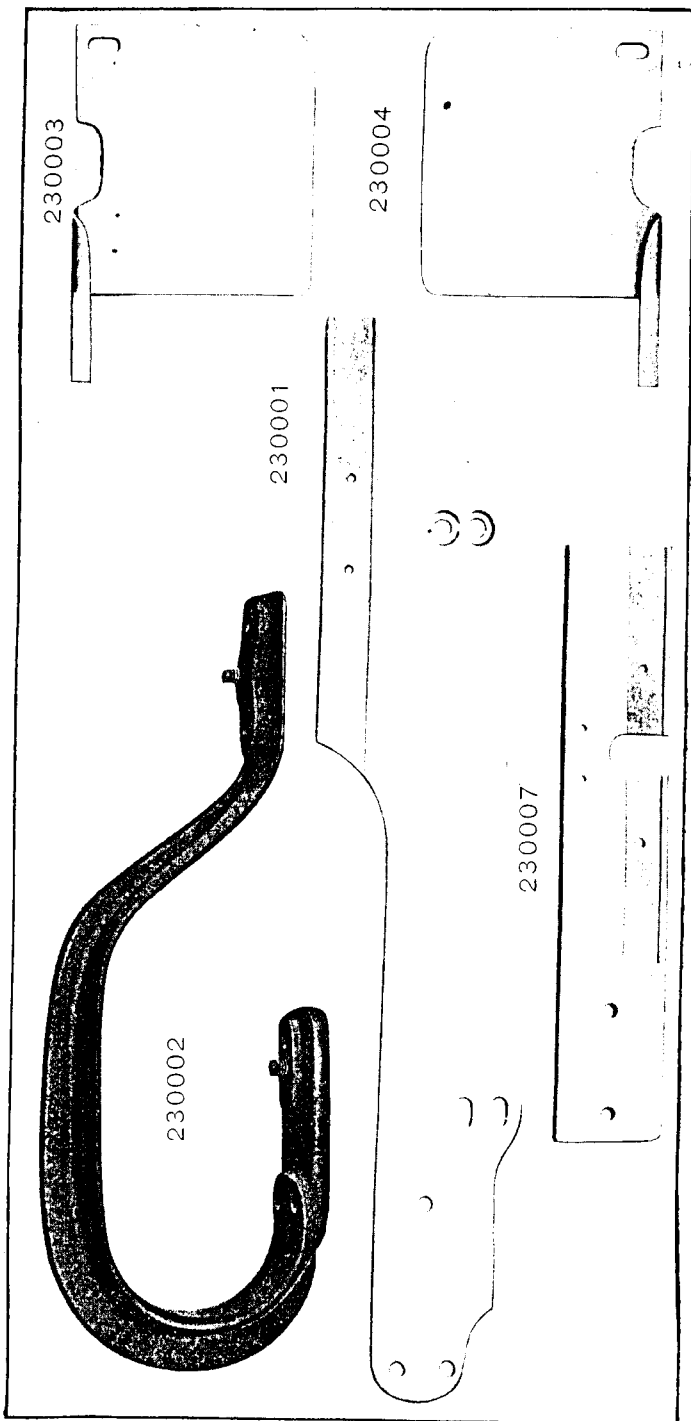


PLATE 14527—FULL SIZE

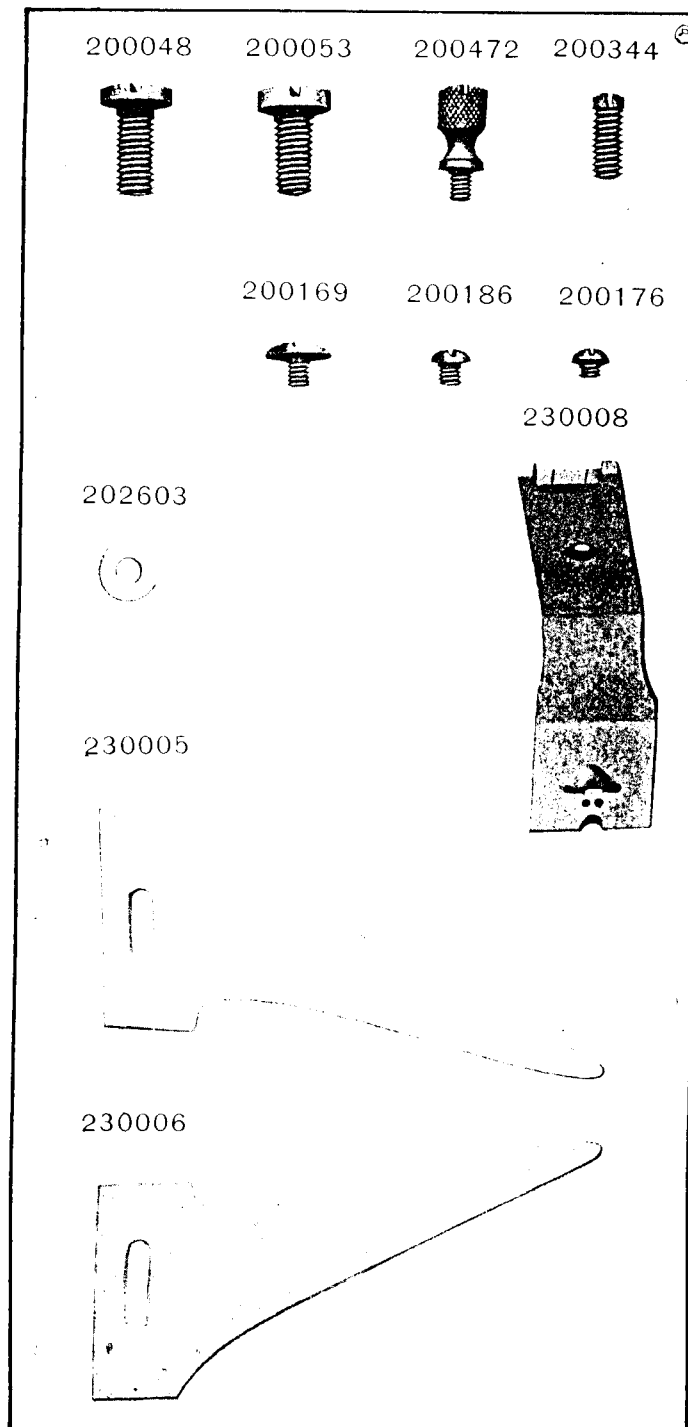
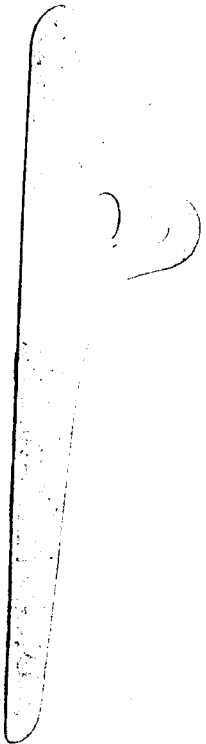
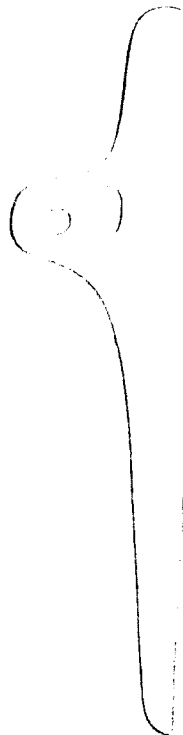


PLATE 14528—FULL SIZE

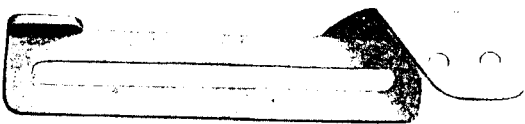
230010



230009



230013



230011

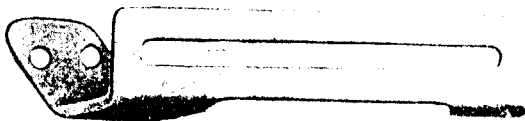
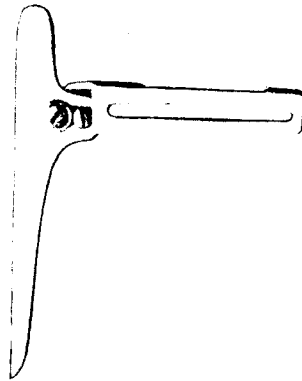


PLATE 14529—ONE-HALF SIZE

230014



230015

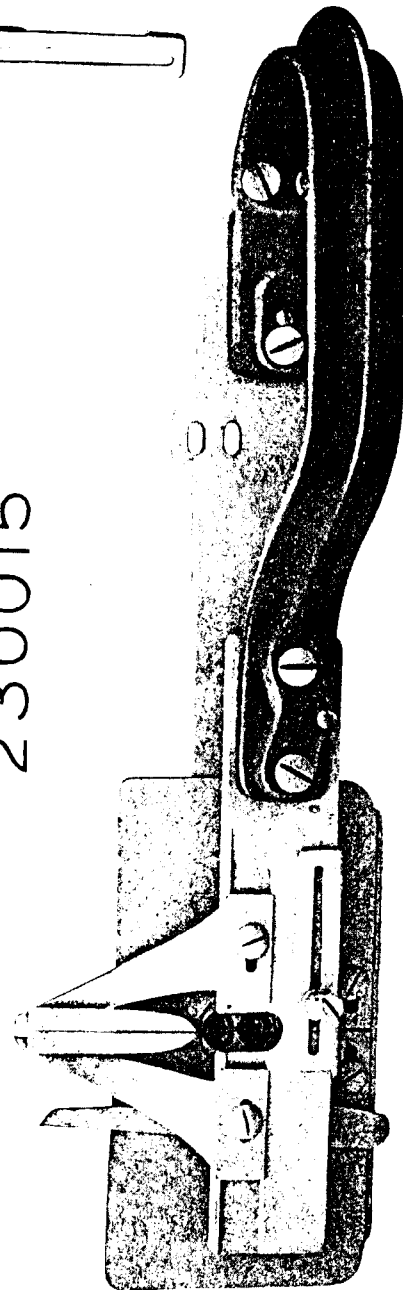


PLATE 14581 - FULL SIZE

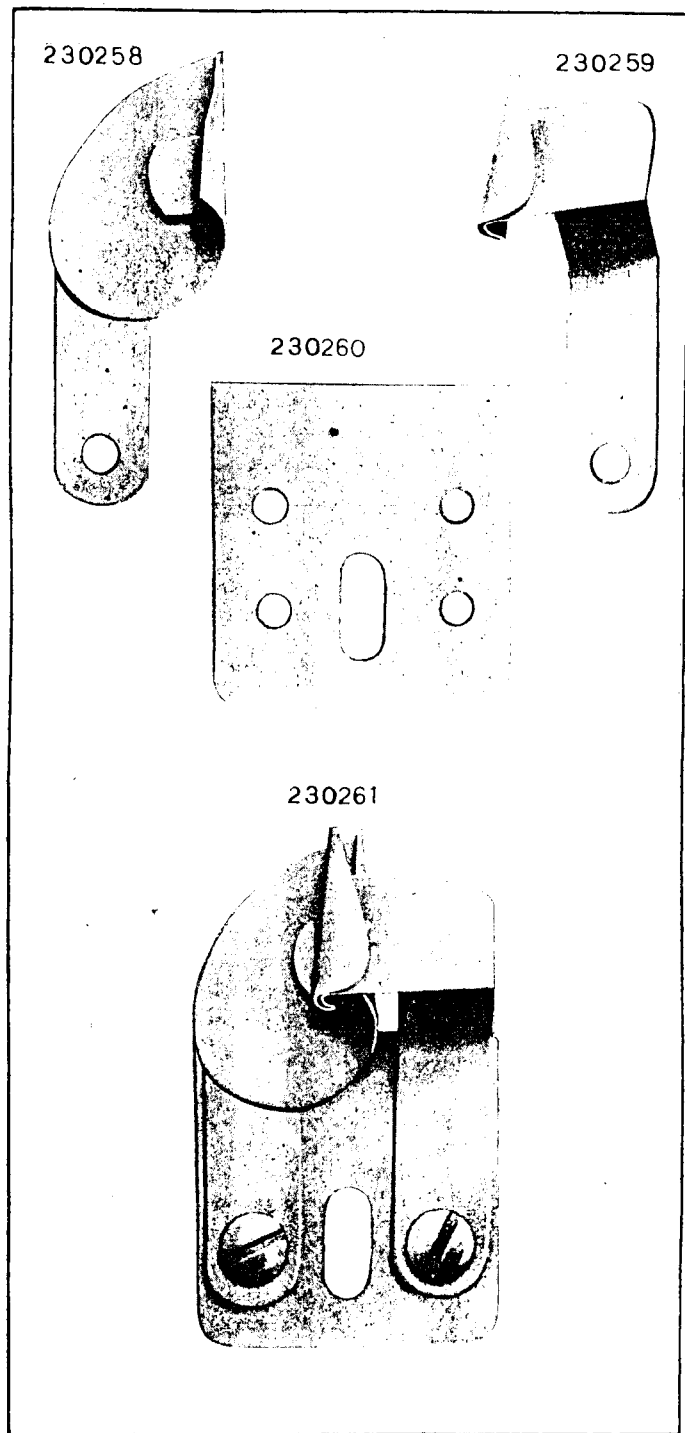


PLATE 14605 ONE-HALF SIZE

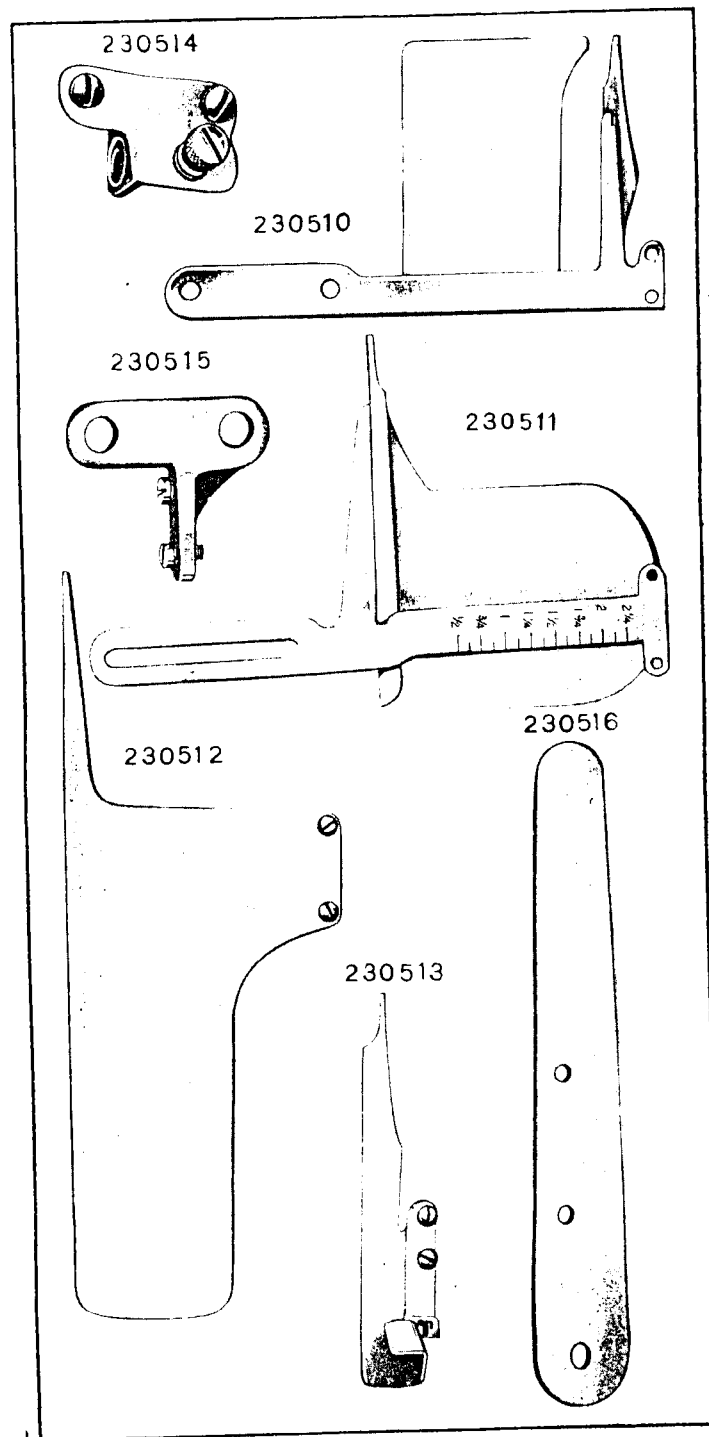


PLATE 14606 - ONE-HALF SIZE

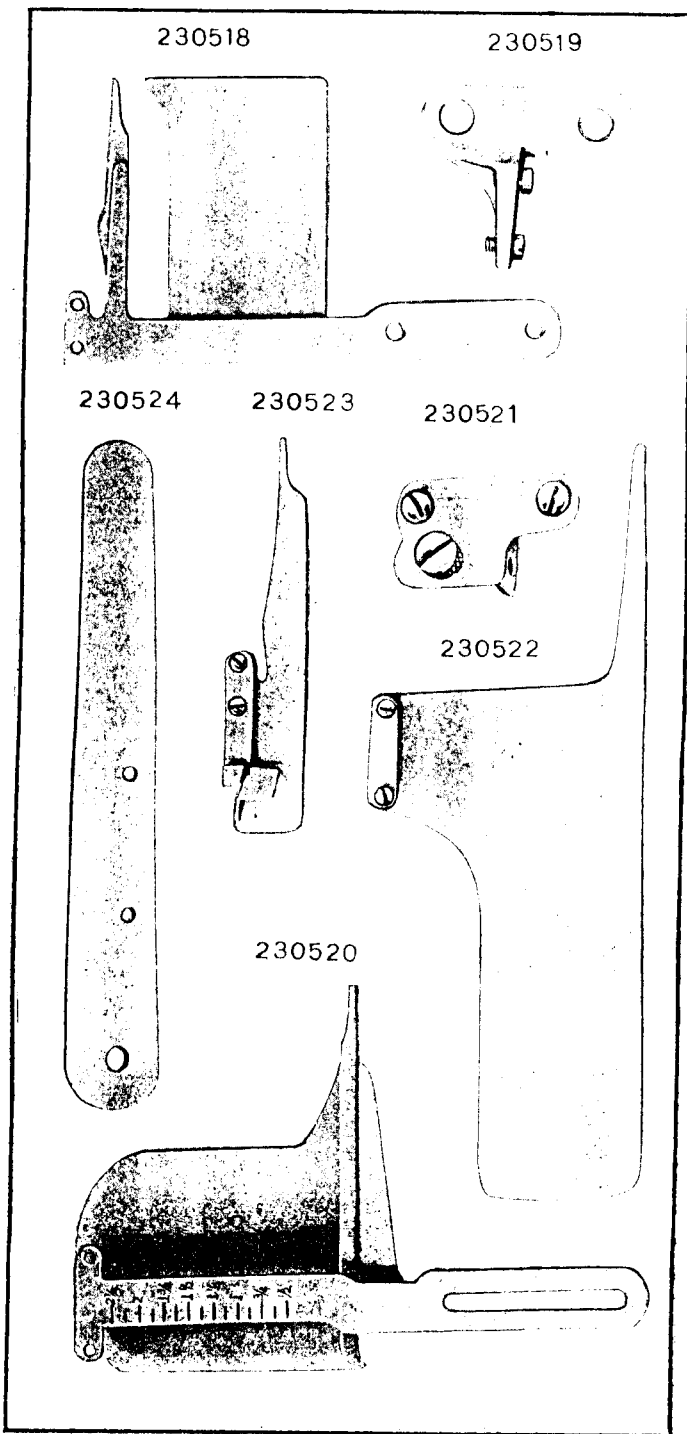


PLATE 14607 - ONE-HALF SIZE

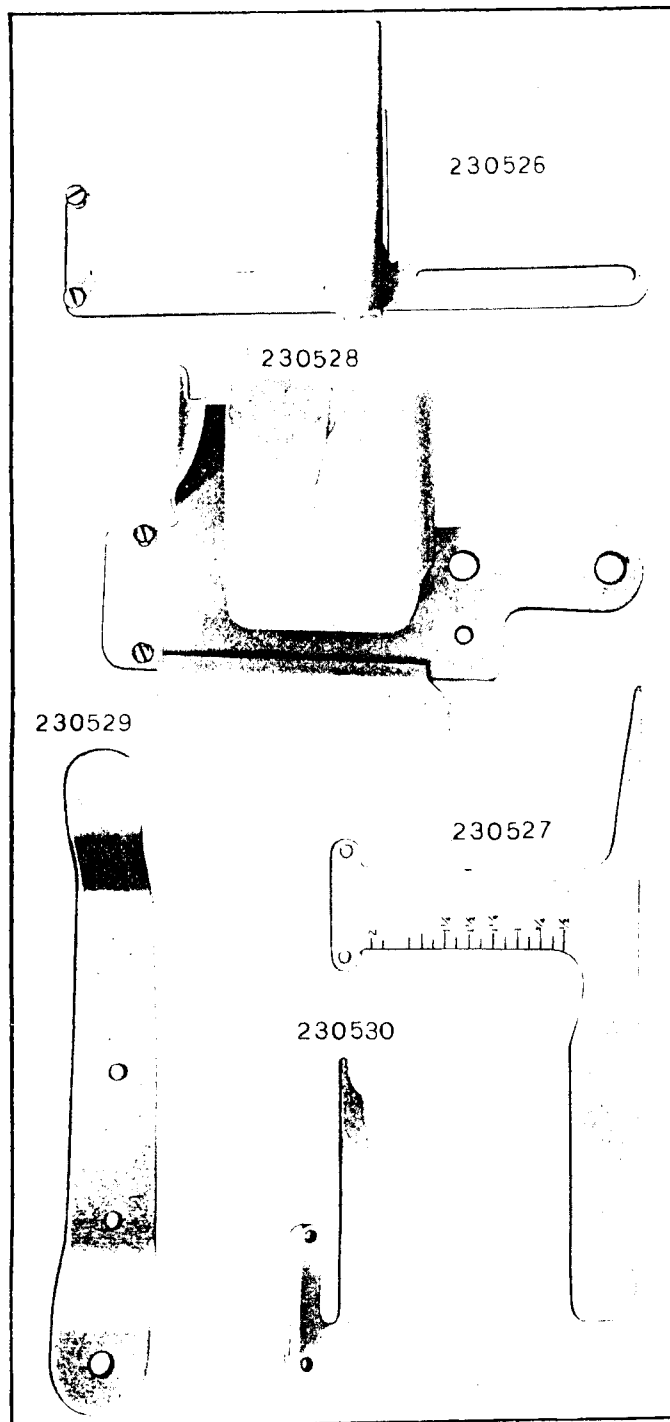


PLATE 14608 ONE-HALF SIZE

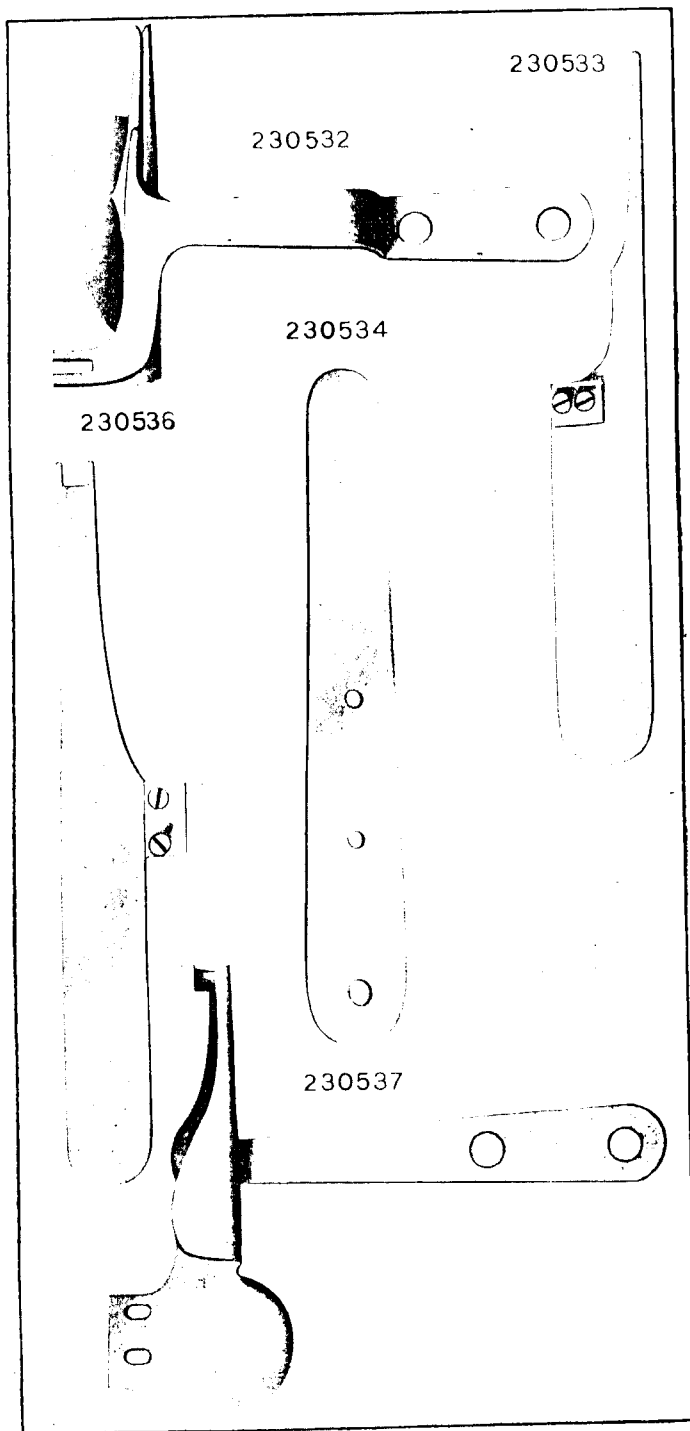


PLATE 14609 ONE-FOURTH SIZE

