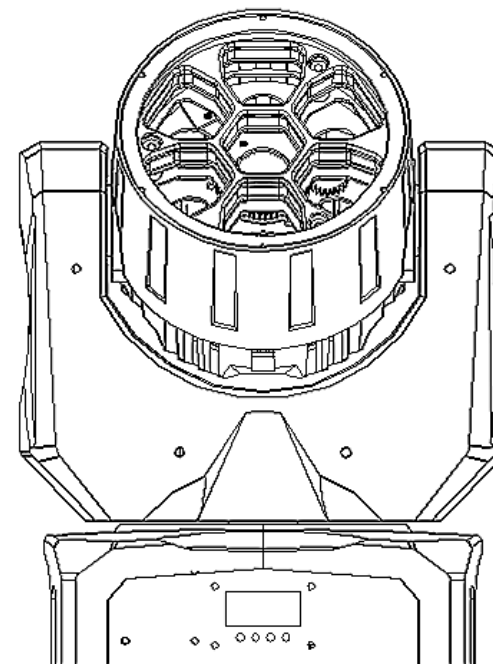




LED Amazing Hobbit



CE   IP20 LED  0.2m  $t_a 40^{\circ}\text{C}$ $t_c 150^{\circ}\text{C}$

USER MANUAL

PLEASE KEEP THIS FOR FUTURE USE

1. Unpacking

Thank you for choosing our products . For your own safety, please read this manual before installing the device. This manual covers the important information on installation and applications. Please install and operate the fixture with following instructions. Meanwhile, please keep this manual well for future needs.

Super beam light is made of a new type of high temperature strength of engineering plastics and cast aluminum casing with nice outlook. The fixture is designed and manufactured strictly following CE standards, complying with international standard DMX512 protocol. It's available independently controlled and linkable with each other for operation. And it is applicable for large-scale live performances, theater, studio, nightclubs and discos.

The adopt 7pcs 10W LEDs which features high brightness and stability. Please carefully unpack it when you receive the fixture and check whether it is damaged during the transportation. And please check whether the following items are included inside the box:

Moving Head-----One	Signal Cable----One
Hanging Bracket-----One	Power Cable----One
User Manual----One	

9. Maintenance and Cleaning

The following points have to be considered during the inspection:

1. All screws for installing the devices or parts of the device have to be tightly connected and must not be corroded.
2. There must not be any deformations on the housing, color lenses, fixations and installation spots (ceiling, suspension, trussing).
3. Mechanically moved parts must not show any traces of wearing and must not rotate with unbalances.
4. The electric power supply cables must not show any damage, material fatigue or sediments.

Further instructions depending on the installation spot and usage have to be adhered by a skilled installer and any safety problems have to be removed.



CAUTION!

Disconnect from mains before starting maintenance operation.

In order to make the lights in good condition and extend the life time, we suggest a regular cleaning to the lights.

- 1) Clean the inside and outside lens each week to avoid the weakness of the lights due to accumulation of dust.
- 2) Clean the fan each week.
- 3) A detailed electric check by approved electrical engineer each three month, make sure that the circuit contacts are in good condition, prevent the poor contact of circuit from overheating.

We recommend a frequent cleaning of the device. Please use a moist, lint- free cloth. Never use alcohol or solvents.

There are no serviceable parts inside the device. Please refer to the instructions under "Installation instructions".

19 channels mode

Channel	Function	DMX Value	Description
1	Pan	0-255	0~540 degree
2	Pan fine adjustment	0-255	16bit
3	Tilt	0-255	0~270 degree
4	Tilt fine adjustment	0-255	16bit
5	Pan/Tilt speed	0-255	Pan/Tilt speed from fast to slow
6	Lens rotation(Beam)	0-127	The distance between beams from near to far(Angle from small to big)
		128-190	Rotate Clockwise – unlimited from fast to slow
		191-255	Counter-clockwise – unlimited from slow to fast
7	Color wheel	0-127	Anticlockwise rotation adjustment
		128-191	Clockwise rotation from slow to fast
		192-255	Clockwise rotation from slow to fast
8	Macro dimming	0-255	Linear dimming from dark to bright
9	Strobe	0-255	Strobe from slow to fast
10	Led 1 dimming	0-255	Linear dimming from dark to bright
11	Led 2 dimming	0-255	Linear dimming from dark to bright
12	Led 3 dimming	0-255	Linear dimming from dark to bright
13	Led 4 dimming	0-255	Linear dimming from dark to bright
14	Led 5 dimming	0-255	Linear dimming from dark to bright
15	Led 6 dimming	0-255	Linear dimming from dark to bright
16	Led 7 dimming	0-255	Linear dimming from dark to bright
17	Light effects show	0-4	Black out
		5-7	Static effect 1
		8-10	Dynamic effect 1
		11-13	Static effect 2
		14-16	Dynamic effect 2
	
	
		233-235	Static effect 39
		236-238	Dynamic effect 39
		239-241	Static effect 40
		242-244	Dynamic effect 40
245-255	No function		
18	Speed of effects show	0-255	From fast to slow
19	Reset	0-128	No function
		129-249	Auto run
		250-255	Reset within 6 seconds

2. Safety Instructions



CAUTION!

Be careful with your operations. With a dangerous voltage you can suffer a dangerous electric shock when touching wires!

This device has left the factory in perfect condition. In order to maintain this condition and to ensure a safe operation, it is absolutely necessary for the user to follow the safety instructions and warning notes written in this user manual.



Important:

Damages caused by the disregard of this user manual are not subject to warranty. The dealer will not accept liability for any resulting defects or problems.

If the device has been exposed to temperature changes due to environmental changes, do not switch it on immediately. The arising condensation could damage the device. Leave the device switched off until it has reached room temperature.

This device falls under protection-class I. Therefore it is essential that the device be earthed.

The electric connection must carry out by qualified person.

The device shall only be used with rate voltage and frequency.

Make sure that the available voltage is not higher than stated at the end of this manual.

Make sure the power cord is never crimped or damaged by sharp edges. If this would be the case, replacement of the cable must be done by an authorized dealer.

Always disconnect from the mains, when the device is not in use or before cleaning it. Only handle the power cord by the plug. Never pull out the plug by tugging the power cord.

During initial start-up some smoke or smell may arise. This is a normal process and does not necessarily mean that the device is defective, it should decrease gradually. Please don't project the beam onto combustible substances.

Fixtures cannot be installed on combustible substances, keep more than 50cm distance with wall for smooth air flow, so there should be no shelter for fans and ventilation for heat radiation.

If the external flexible cable or cord of the luminaire was damaged, it shall be exclusively replaced by the manufacturer or his service agent or a similar qualified person in order to avoid a hazard.

3. Operation Instructions

- The moving head is for beam light and effect use.
- Don't turn on the fixture if it's been through severe temperature difference like after transportation because it might damage the light due to the environment changes. So make sure to operate the fixture until it is in normal temperature.
- This light should be keep away from strong shaking during any transportation or movement.
- Don't pull up the light by only the head, or it might cause damages to the mechanical parts.
- Don't expose the fixture in overheat, moisture or environment with too much dust when installing it. And don't lay any power cables on the floor. Or it might cause electronic shock to the people.
- Make sure the installation place is in good safety condition before installing the fixture.
- Make sure to put the safety chain and check whether the screws are screwed properly when installing the fixture.
- Make sure the lens are in good condition. It's recommended to replace the units if there are any damages or severe scratch.
- Make sure the fixture is operated by qualified personnel who knows the fixture before using.
- Keep the original packages if any second shipment is needed.
- Don't try to change the fixtures without any instruction by the manufacturer or the appointed repairing agencies.
- It is not in warranty range if there are any malfunctions from not following the user manual to operate or any illegal operation, like shock short circuit, electronic shock, lamp broke, etc.

8. DMX Channels details

12 channels mode

Channel	Function	DMX Value	Description
1	Pan	0-255	0~540 degree
2	Tilt	0-255	0~270 degree
3	Pan/Tilt speed	0-255	Pan/Tilt speed from fast to slow
4	Lens rotation(Beam)	0-127	The distance between beams from near to far(Angle from small to big)
		128-190	Rotate Clockwise – unlimited from fast to slow
		191-255	Counter-clockwise – unlimited from slow to fast
5	Color wheel	0-127	Anticlockwise rotation adjustment
		128-191	Clockwise rotation from slow to fast
		192-255	Clockwise rotation from slow to fast
6	Macro dimming	0-255	Linear dimming from dark to bright
7	Strobe	0-255	Strobe from slow to fast
8	Led 7 dimming	0-255	Linear dimming from dark to bright
9	Led 1-LED 6 dimming	0-255	Linear dimming from dark to bright
10	Light effects show Light effects show	0-4	Black out
		5-7	Static effect 1
		8-10	Dynamic effect 1
		11-13	Static effect 2
		14-16	Dynamic effect 2
	
	
		233-235	Static effect 39
		236-238	Dynamic effect 39
		239-241	Static effect 40
		242-244	Dynamic effect 40
245-255	No function		
11	Speed of effects show	0-255	From fast to slow
12	Reset	0-128	No function
		129-249	Auto run
		250-255	Reset within 6 seconds

7. Control Panel Menu Instruction

Menu Panel		Function
ADDR	ADDR TO RS12	DMX address setting
MODE	CH.12/CH.19	To choose the channel mode
PAN	YES OR NO	Reverse Pan movement adjustment
TILT	YES OR NO	Reverse Tilt movement adjustment
PLAY	SOUN	Sound activated mode
	AUTO	Auto Run mode
	DMCO	DMX512 mode
DISP	YES OR NO	Display reverse 180° to fit the installation in different places
SENE	001 TO 050	Sound activated sensitivity adjustment
MAN	CH01	Manual control of CH 01
	CH02	Manual control of CH 02

	CH19	Manual control of CH 19
REST	SYST	Reset system
	R PAN	Reset Pan
	R TIT	Reset Tilt
	R COL	Reset Color wheel
	R GOB	Reset LENS rotation

4. Specifications:

Voltage: AC90-240V 50-60Hz

Power: 90W

Led source: 7pcs high brightness 10W CREE white LEDs

Beam angle: 5-40° Strobe: 1-25 Hz

Dimmer: 0-100% linear dimmer with 16 bit without strobe

Pan: 540°+ fine Tilt: 250°+ fine

Color: With a 6 colors wheel to create colorful effect.

Channel: 12/19 DMX double channels mode

Control: DMX512/Master-slave/Auto/Sound activated

Fixture dimension: 215*175*288 mm

1pc/ctn packing size: 31*25*41 cm N.W: 4.2 kg G.W: 5.25 kg

2pcs/ctn packing size: 33*50*42 cm N.W: 8.4 kg G.W: 11.4 kg

Function:

1. Strong beam light effect, beam angle is optional, beam light with macro effect.
2. Each bulb is controllable, with racing light effect.
3. B-eye designed Lens can rotate without limitation to create dynamic and amazing effect. Can separate to colorful beams or gather to one strong beam.
4. Perfect beam light and effect light for disco, club, show, etc.
5. Smaller size but excellent effect to make installation as easy as you can imagine.

5. Installation instruction:

Cautions: For added protection mount the fixtures in areas outside walking paths, seating areas, or in areas where the fixture might be reached by unauthorized personnel.

Before mounting the fixture to any surface, make sure that the installation area can hold a minimum point load of 10 times the device's weight.

Fixture installation must always be secured with a secondary safety attachment, such as an appropriate safety cable.

Never stand directly below the device when mounting, removing, or servicing the fixture.

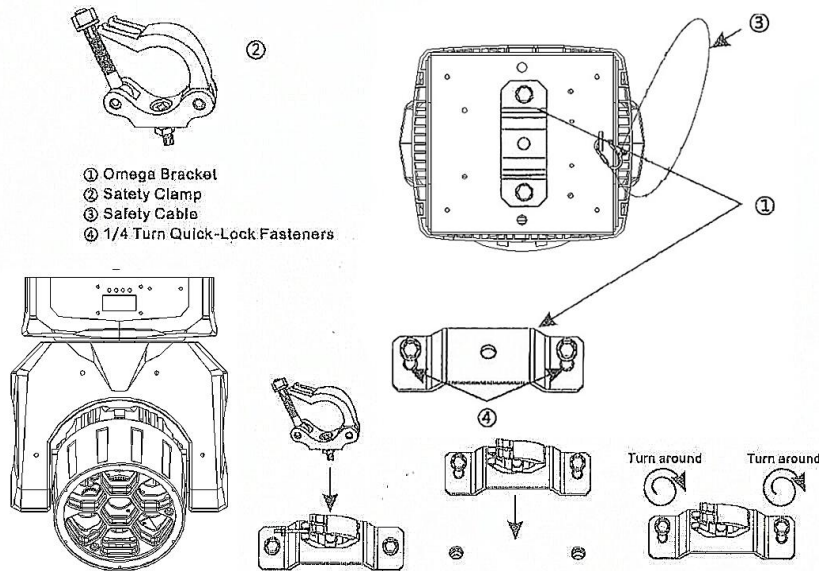
From a ceiling, or set on a flat level surface (see illustration below). Be sure the fixture is kept at least 0.5 m away from any flammable materials.

Always use and install the supplied safety cable as a safety measure to prevent accidental damage caused by the clamp fails.

Mounting points: Overhead mounting requires extensive experience, including amongst others calculating working load limits, a fine knowledge of the installation material being used, and periodic safety inspection of all installation material and the fixture. If you lack these qualifications, do not attempt the installation yourself. Improper installation can result in bodily injury.

Be sure to complete all rigging and installation procedures before connecting the main power cord to the appropriate wall outlet.

Clamp Mounting: The LED BEAM provides a unique mounting bracket assembly that integrates the bottom of the base, the included “Omega Bracket,” and the safety cable rigging point in one unit (see the illustration below). When mounting this fixture to truss be sure to secure an appropriately rated clamp to the included omega bracket using a M10 screw fitted through the center hole of the “omega bracket”. As an added safety measure be sure to attached at least one properly rated safety cable to the fixture using on of the safety cable rigging point integrated in the base assembly

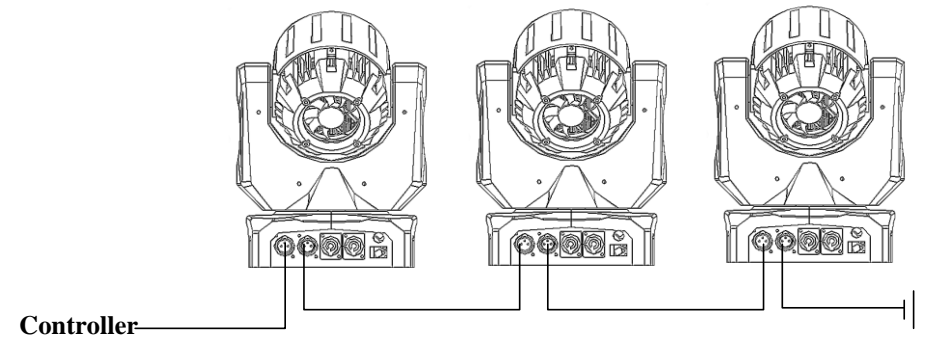


Regardless of the rigging option you choose for your LED super beam, always be sure to secure your fixture with a safety cable. The fixture provides a built-in rigging point for a safety cable on the hanging bracket as illustrated above. Be sure to only use the designated rigging point for the safety cable and never secure a safety cable to a carrying handle.

6. DMX-512 control connections

Connect the provided XLR cable to the female 3-pin XLR output of your controller and the other side to the male 3-pin XLR input of the moving head. You can chain multiple Moving head together through serial linking. The cable needed should be two core, screened cable with XLR input and output connectors. Please refer to the diagram below.

DMX-512 connection with DMX terminator



For installations where the DMX cable has to run a long distance or is in an electrically noisy environment, such as in a discotheque, it is recommended to use a DMX terminator. This helps in preventing corruption of the digital control signal by electrical noise. The DMX terminator is simply an XLR plug with a 120 Ω resistor connected between pins 2 and 3, which is then plugged into the output XLR socket of the last fixture in the chain. Please see illustrations below.

