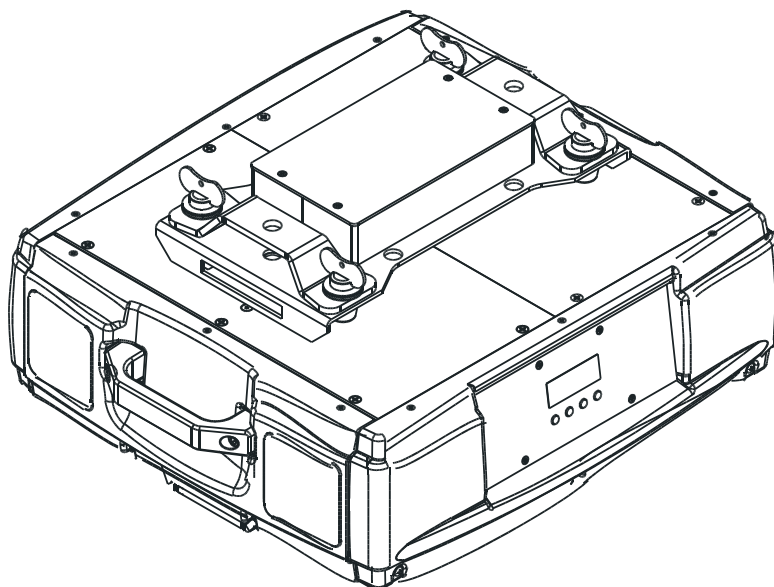


Media Spinner **50** AT



AT series

Version 1.1

USER MANUAL

MediaSpinner 50 AT

Table of contents

1. Safety instructions	3
2. Operating determinations	4
3. Description of the device	5
4. Installation	6
4.1 Connection to the mains	6
4.2 Changing the power supply settings	6
4.3 Rigging the fixture	7
4.4 DMX-512 connection/connection between fixtures	9
5. MediaSpinner 50 AT- DMX Protocol-version 1.0	10
6. Operating modes	11
6.1 Controller mode	11
6.2 Stand-alone mode	11
7. Control menu map	12
8. Control menu	14
8.1 Fixture Address	14
8.2 Slave control	14
8.3 Fixture informations	14
8.4 Personality	15
8.5 Load On/Off	16
8.6 Manual mode	16
8.7 Test sequences	17
8.8 Stand-alone setting	17
8.9 Reset function	18
8.10 Special functions	18
9. Low power mode	18
10. Error and information messages	19
11. Technical specifications	19
12. Maintenance and cleaning	20

CAUTION!

***Keep this device away from rain and moisture!
Unplug mains lead before opening the housing!***

**FOR YOUR OWN SAFETY, PLEASE READ THIS USER MANUAL CAREFULLY
BEFORE YOU INITIAL START - UP!**

1. Safety instructions

Every person involved with installation and maintenance of this device have to:

- be qualified
- follow the instructions of this manual

CAUTION!

***Be careful with your operations.
With a high voltage you can suffer
a dangerous electric shock when touching the wires!***

This device has left our premises in absolutely perfect condition. In order to maintain this condition and to ensure a safe operation, it is absolutely necessary for the user to follow the safety instructions and warning notes written in this manual.

Important:

The manufacturer will not accept liability for any resulting damages caused by the non-observance of this manual or any unauthorized modification to the device.

Please consider that damages caused by manual modifications to the device are not subject to warranty.

Never let the power-cord come into contact with other cables! Handle the power cord and all connections with the mains with particular caution!

Make sure that the available voltage is not higher than stated on the rear panel.

Always plug in the power plug least. Make sure that the power-switch is set to Off-position before you connect the device to the mains. The power plug has to be accessible after installing the device.

Make sure that the power-cord is never crimped or damaged by sharp edges. Check the device and the power-cord from time to time.

Always disconnect from the mains, when the device is not in use or before cleaning it. Only handle the power-cord by the plug. Never pull out the plug by tugging the power cord.

This device falls under protection class I. Therefore it is essential to connect the yellow/green conductor to earth.

The electric connection, repairs and servicing must be carried out by a qualified employee. Do not connect this device to a dimmer pack.

During the initial start-up some smell may arise. This is a normal process and does not necessarily mean that the device is defective.

2. Operating determinations

This device was designed for indoor use only.

If the device has been exposed to drastic temperature fluctuation (e.g. after transportation), do not switch it on immediately. The arising condensation water might damage your device. Leave the device switched off until it has reached room temperature.

Do not shake the device. Avoid brute force when installing or operating the device.

Always hold the device at the transport handles.

When choosing the installation-spot, please make sure that the device is not exposed to extreme heat, moisture or dust. There should not be any cables lying around. You endanger your own and the safety of others!

Make sure that the area below the installation place is blocked when rigging, derigging or servicing the fixture.

Always fix the fixture with an appropriate safety rope. Fix the safety rope at the correct holes only.

Only operate the fixture after having checked that the housing is firmly closed and all screws are tightly fastened.

The maximum ambient temperature 40°C must never be exceeded.

Operate the device only after having familiarized with its functions. Do not permit operation by persons not qualified for operating the device. Most damages are the result of unprofessional operation!

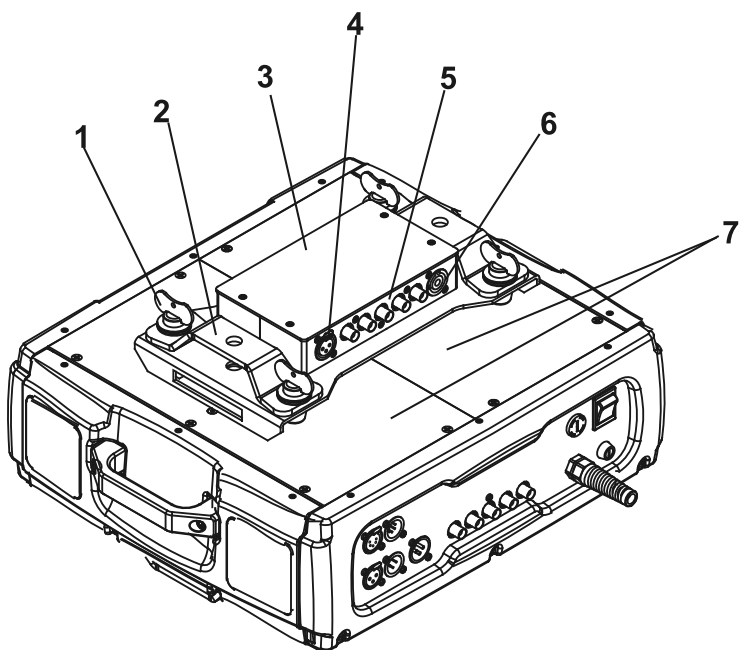
CAUTION!
The maximum load of the device is 50 kg !

Please use the original packaging if the device is to be transported.

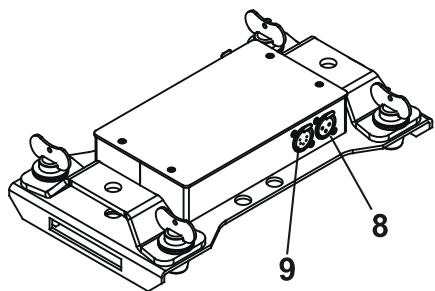
Please consider that unauthorized modifications on the device are forbidden due to safety reasons!

If this device will be operated in any way different to the one described in this manual, the product may suffer damages and the guarantee becomes void.

3. Description of the device

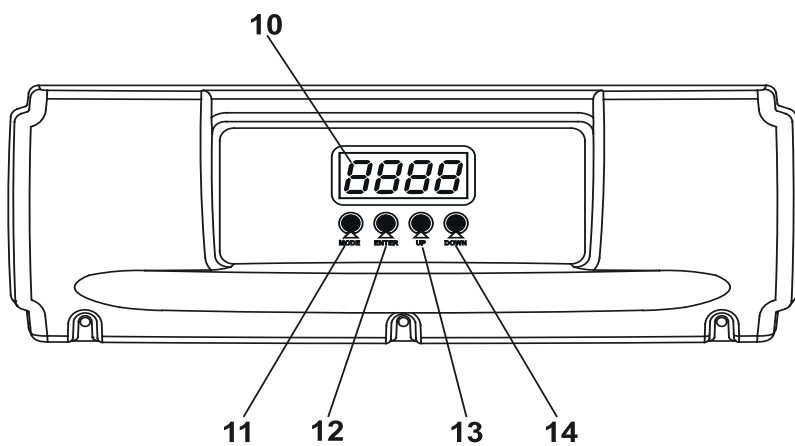


- 1- Quick-lock fastener
- 2 - Omega holder
- 3 - Rotating plate+video box
- 4 - Audio output
- 5 - RGBHV outputs
- 6 - Power output
- 7 - Top covers



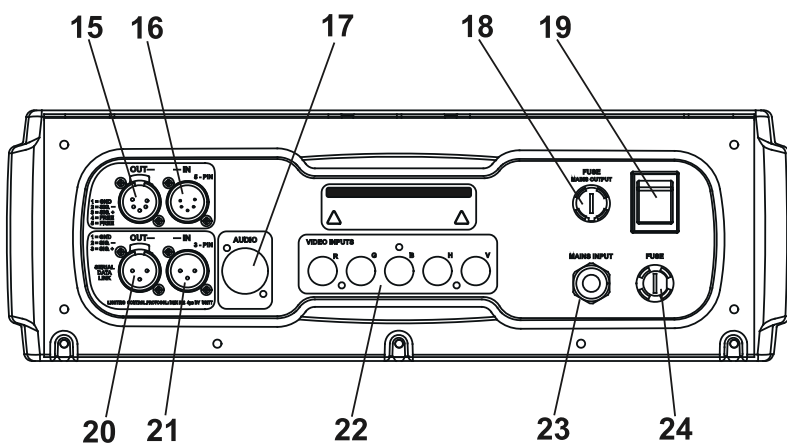
Video box-rear side:

- 8 - 3-pin XLR connector
- 9 - 5-pin XLR connector



Front panel of the fixture:

- 10 - Mode-button
- 11 - Enter-button
- 12 - Up-button
- 13 - Down-button
- 14 - Display



Rear panel of the fixture

- 15- 5-pin DMX output
- 16 - 5-pin DMX input
- 17 - Audio input
- 18- Video box fuse
- 19 - Fixture power switch
- 20 - 3-pin DMX output
- 21 - 3-pin DMX input
- 22 - BNC Type RGBHV inputs
- 23 - Power cord
- 24 - Fixture fuse holder

4. Installation

4.1 Connection to the mains

Verify the power supply settings before applying power!


If you wish to change the power supply settings, see the chapter below.

Connect the fixture to the mains with the power cord.

If the plug on the flexible cord is not the right type for your socket outlets, do not use an adaptor, but remove the plug from the cord and discard. Carefully prepare the end of the supply cord and fit a suitable plug.

The earth has to be connected!

The occupation of the connection-cables is as follows:

Cable (EU)	Cable (US)	Pin	International
Brown	Black	Live	L
Light blue	White	Neutral	N
Yellow/Green	Green	Earth	

4.2 Changing the power supply settings

The transformer must be connected correctly for the local AC voltage.

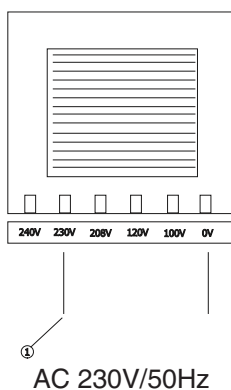
The wrong settings can cause poor performance or damage of the MediaSpinner 50 AT. The factory settings are printed next to the power cord.

If you want to change the power supply settings, follow the instructions:

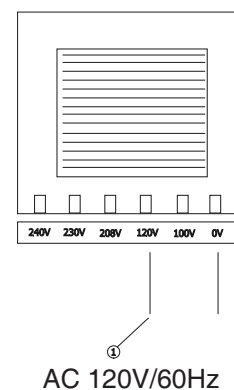
1. Disconnect the fixture from AC power.
2. Remove the top base cover (closest to the power cord) by loosening the 9 screws.
3. Move the wire ① on the transformer connection block to the position according to the desired voltage.
5. Close the base before applying AC power.

Examples:

EU-version:



US-version:



4.3 Rigging the fixture

DANGER TO LIFE!
Please consider the respective national norms during the installation!
The installation must only be carried out by an authorized distributor!

The installation must always be secured with a secondary safety attachment, e.g. an appropriate catch net. This secondary safety attachment must be constructed in a way that no part of the installation can fall down if the main attachment fails.

When rigging, derigging or servicing the fixture staying in the area below the installation place, on bridges, under high working places and other endangered areas is forbidden.

The operator has to make sure that safety-relating and machine-technical installations are approved by an expert before taking into operation for the first time and after changes before taking into operation another time.

The operator has to make sure that safety-relating and machine-technical installations are approved by an expert after every four year in the course of an acceptance test.

The operator has to make sure that safety-relating and machine-technical installations are approved by a skilled person once a year.

IMPORTANT! OVERHEAD RIGGING REQUIRES EXTENSIVE EXPERIENCE, including (but not limited to) calculating working load limits, installation material being used, and periodic safety inspection of all installation material and the device. If you lack these qualifications, do not attempt the installation yourself, but instead use a professional structural rigger. Improper installation can result in bodily injury and/or damage to property.

The device has to be installed out of the reach of people.

If the device shall be lowered from the ceiling or high joists, professional trussing systems have to be used. The device must never be fixed swinging freely in the room.

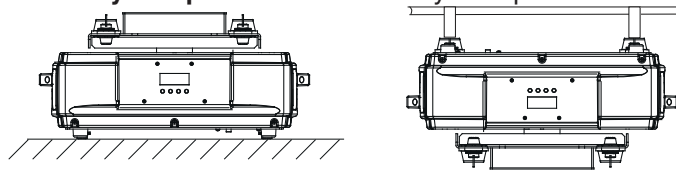
Caution: Devices may cause severe injuries when crashing down! If you have doubts concerning the safety of a possible installation, do NOT install the device!

Before rigging make sure that the installation area can hold a minimum point load of 10 times the device's weight.

CAUTION !
Provide a minimum clearance of 0.1 meters around fans and air vents.

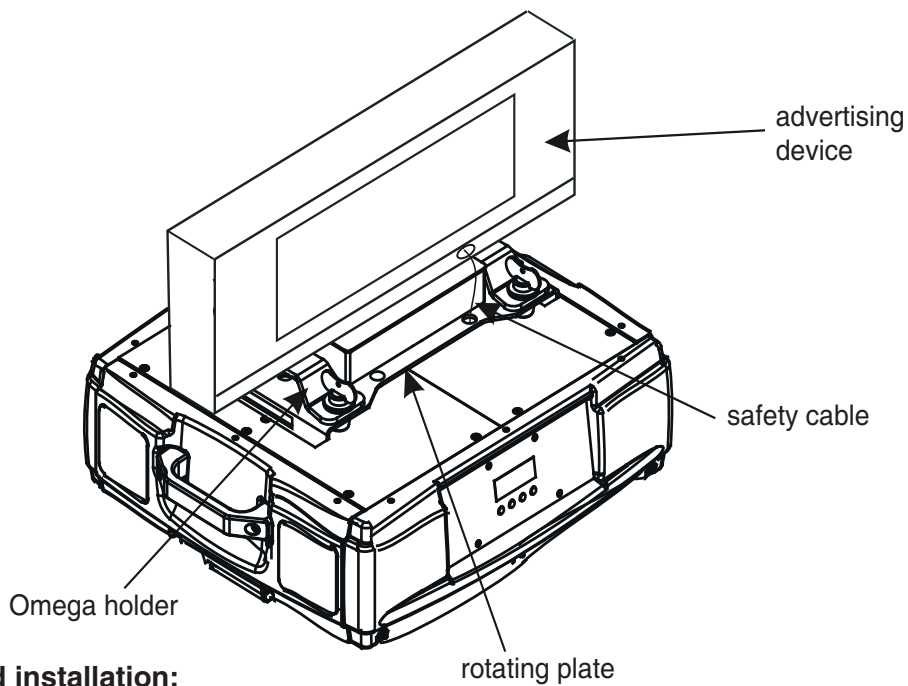
CAUTION!
Use 2 appropriate clamps to rig the device on the truss.
Maximum load of the fixative plate is 50 kg.
Make sure that the device is fixed properly! Ensure that the structure (truss) to which you are attaching the fixtures is secure.

The device can be placed only in 2 positions: horizontally on a plain surface or upside down on a truss:



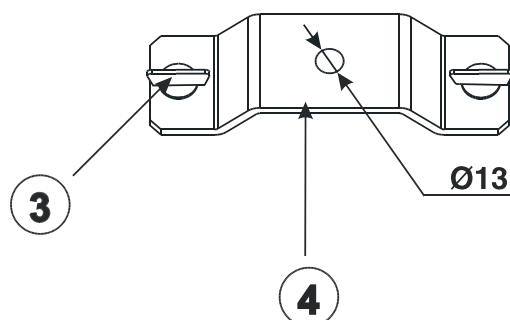
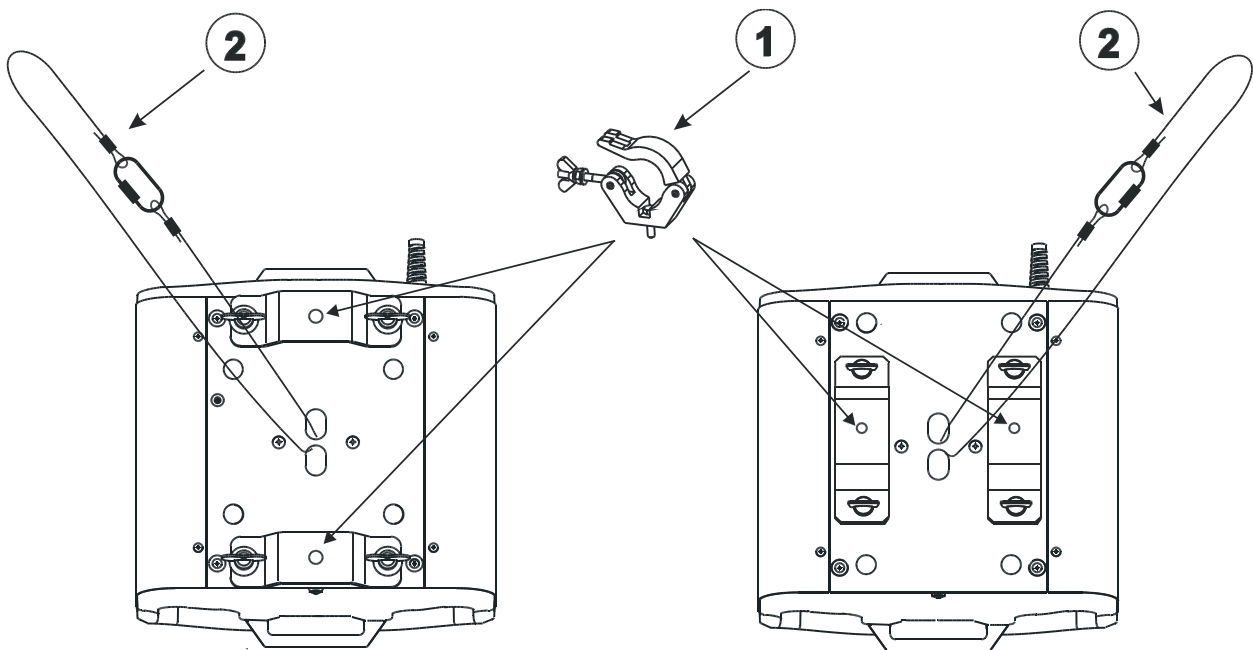
For overhead use, always install a safety-rope that can hold at least 10 times the weight of the device. You must only use safety-ropes with screw-on carabines. Pull the safety-rope through the two apertures on the bottom of the base and over the trussing system etc. Insert the end in the carabine and tighten the fixation screw.

Possible Installation:



Overhead installation:

1. Bolt each clamp (1) (not included) to the omega holder (4) with M12 bolt and lock nut through the hole in the holder.
2. Fasten the omega holders on the bottom of the base by inserting both quick-lock fasteners (3) into the holes of the base and tighten fully clockwise.
3. Fasten the safety cable (2) through the two apertures on the bottom of the base and over the trussing system.



- 1-Clamp
- 2-Safety cable
- 3-Quick-lock fastener
- 4-Omega holder

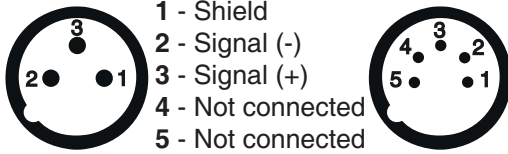
4.4 DMX-512 connection/connection between fixtures

The fixture is equipped with both 3-pin and 5-pin XLR sockets for DMX input and output. The sockets are wired in parallel.

Only use a shielded twisted-pair cable designed for RS-485 and 3-pin or 5-pin XLR-plugs and connectors in order to connect the controller with the fixture or one fixture with another.

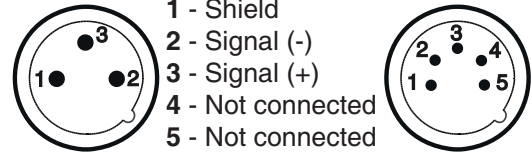
DMX - output

XLR mounting-sockets (rear view):

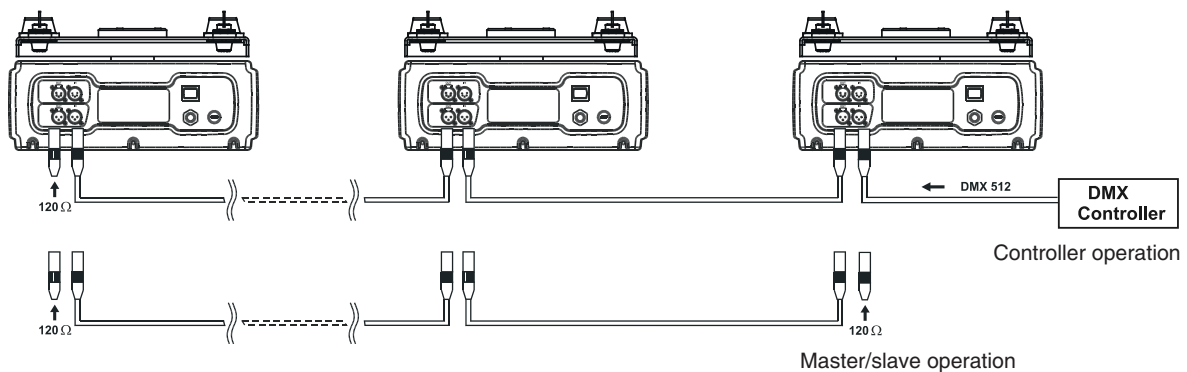


DMX-input

XLR mounting-plugs (rear view):



If you are using the standard DMX controllers, you can connect the DMX output of the controller directly with the DMX input of the first fixture in the DMX-chain. If you wish to connect DMX-controllers with other XLR-out-puts, you need to use adapter-cables.



Building a serial DMX-chain:

Connect the DMX-output of the first fixture in the DMX-chain with the DMX-input of the next fixture. Always connect one output with the input of the next fixture until all fixtures are connected.

Caution: At the last fixture, the DMX-cable has to be terminated with a terminator. Solder a 120 Ω resistor between Signal (-) and Signal (+) into a 3-pin XLR-plug and plug it in the DMX-output of the last fixture.

Building a master/slave-chain:

Connect the DMX-output of the master fixture in the data-chain with the DMX-input of the first slave. Always connect output with the input of the next slave until all slaves are connected (up to 9 fixtures).

Caution: It's necessary to insert the XLR termination plug (with 120 Ohm) into the input of the master fixture and into the output of the last slave fixture in the link in order to ensure proper transmission on the data link.

5. MediaSpinner 50 AT- DMX Protocol-version 1.0

Channel	Value	Function	Type of control
1	0 - 255	Pan coarse Coarse control of pan movement by 450°	proportional
2	0 - 255	Pan Fine Fine control of pan movement	proportional
3	0	Pan speed Max. speed (tracking mode)	step
	1 - 255	<i>Pan speed-set Speed Mode in menu: Pan Mode</i> Speed from max. to min. (vector mode)	proportional
	1 - 255	<i>Pan time - set Time Mode in menu: Pan Mode</i> Time from 0,1 s to 25,5 s.	proportional
4	0 - 129	Special functions Standard operation (fixture is controlled by channels 1, 2 and 3)	step
	130 - 139	Reset of pan	step
	140 - 208	Reserved	
	210 - 219	Switching On power supply of load	step
	220 - 229	Reserved	
	230 - 239	Switching Off power supply of load	step
240 - 255	Reserved		

6. Operating modes

6.1 Controller mode

The fixtures are individually addressed on a data link and connected to the controller. The fixtures respond to the DMX signal from the controller.

The control panel on the front panel of the fixture allows you to assign the DMX fixture address, which is defined as the first channel from which the MediaSpinner 50 AT will respond to the controller.

If you set, for example, the address to channel 5, the MediaSpinner 50 AT will use the channel 4 to 8 for control. Please, be sure that you don't have any overlapping channels in order to control each MediaSpinner 50 AT correctly and independently from any other fixture on the DMX data link.

If two, three or more MediaSpinner 50 AT are addressed similarly, they will work similarly.

For address setting, please refer to the instructions under "Addressing"(menu "A001").

After having addressed all MediaSpinners 50 AT, you may now start operating these via your DMX controller.

Note:After switching on, the MediaSpinner 50 AT will automatically detect whether DMX 512 data is received or not. If there is no data received at the DMX-input, the display will start to flash "A001" with actually set address.

This situation can occur if:

- the 3 PIN (5pin) XLR plug (cable with DMX signal from controller) is not connected with the input of the MediaSpinner 50 AT
- the controller is switched off or defective, the cable or connector is defective or the signal wires are swap in the input connector.

6.2 Stand-alone mode

The fixtures on a data link are not connected to the controller but can execute pre-set programs which can be different for every fixture. To set the program to be played, see the "Stand-alone setting" (menu "St.AL. ").

"Stand-alone operation" can be applied to the single fixture (the fixture may be set to the master /slave mode or controller mode) or to multiple fixtures operating synchronously.

Synchronous operation of multiple fixtures requires that they must be connected on a data link and one of them is set as a master (master mode) and the rest as the slaves (slave mode). The slaves are assigned to SLA1-SLA9 and on the certain slave address can be connected only one fixture. To set the fixture as the master or slave, see the "Addressing" (menu "A001"). Only one fixture can be set as the master.

If the master fixture runs a reset, all slaves will execute these acts too.

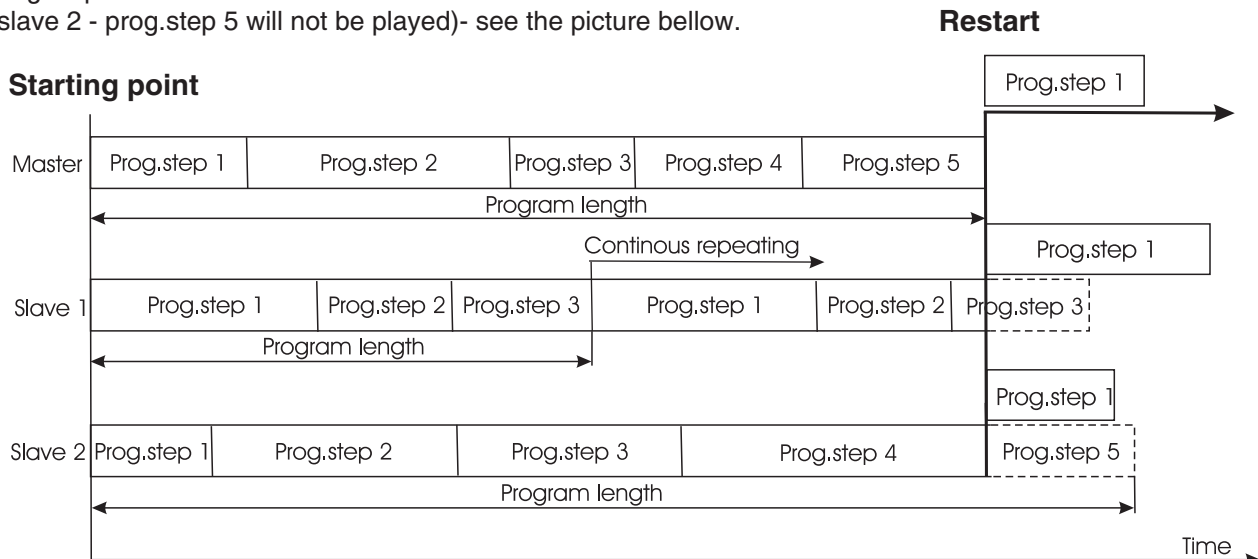
The master fixture starts simultaneous program start in the other slave fixtures. All fixtures have a definite, synchronized starting point when playing back their programs. The number of running program is the same in all slaves and depends on the master's choice (menu "St.AL. "). Every fixture runs its program repeatedly, starting the program step No.1 when requested by the master.

For example:

If the slave fixture has a shorter program length, it will continuously repeat its program until the master fixture finishes its own program and restarts its program running (slave 1- prog.step 3 will not be finished).

If the slave fixture has a longer program length, it will restart at prog. step 1 before it completes all its prog.steps

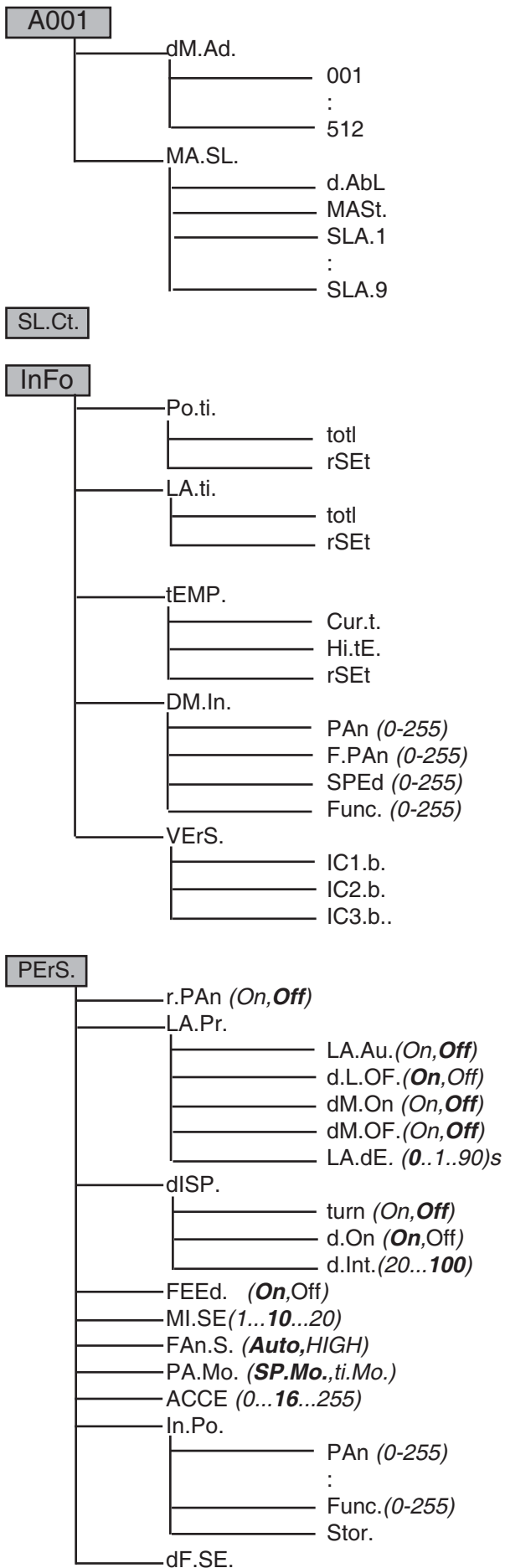
(slave 2 - prog.step 5 will not be played)- see the picture bellow.



Note:Disconnect the fixtures from the DMX controller before master/slave operating, otherwise data collisions can occur and the fixtures will not work properly!

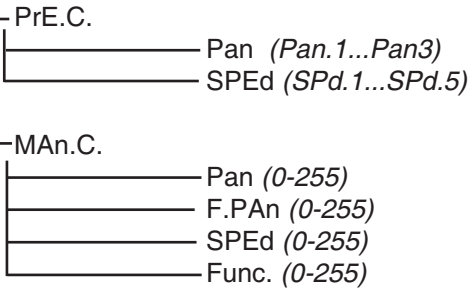
7.Control menu map

Default settings=**Bold print**



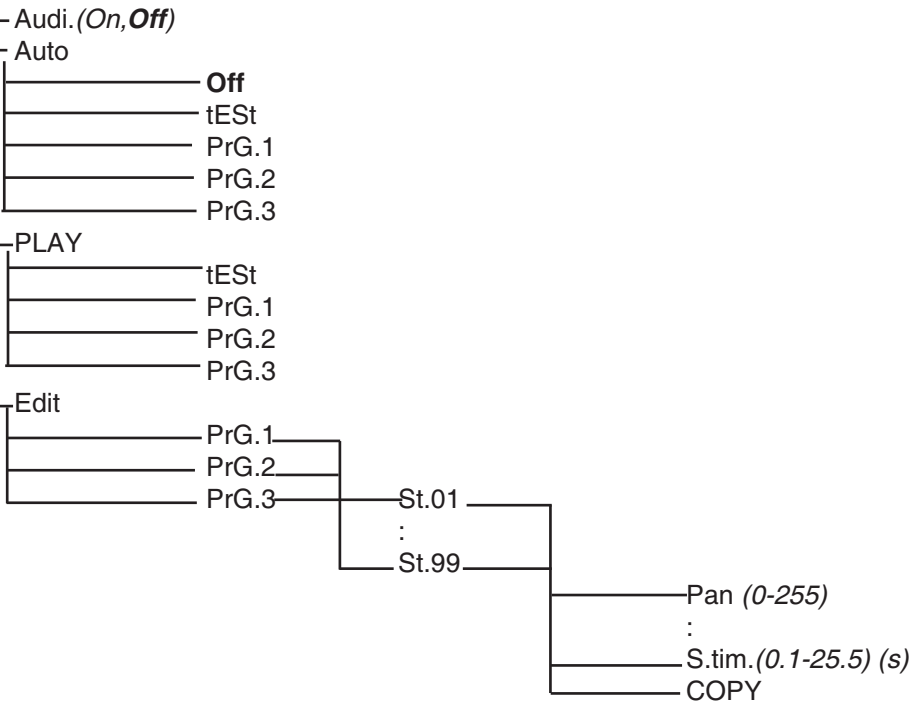
LAMP (On, **Off**)

MAn.M.



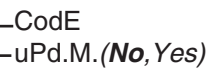
tESt

St.AL.



rESE.

SPEC.



8. Control menu

The control panel situated on the front panel of the base offers several features. You can simply set the DMX address, read the number of unit hours, run test, make a reset and also use many functions for setting fixture behaviour.

Control elements on the control board:

[MODE] button-leaves menu without saving changes.

[ENTER] button- enters menu, confirms adjusted values and leaves menu.

[UP] button and [DOWN] button- moves between menu items on the the same level, sets values.

After switching the fixture on, the display shows the initial screen:



Use [UP],[DOWN] to browse through the menu. To select a function or submenu, press [ENTER].

8.1 Fixture Address



Use this menu to set the DMX address of the fixture or set the fixture as a Master (Slave).

dM.Ad. --- **DMX addressing.** Select this submenu to set DMX start address.

MA.SL. --- **Master/slave addressing.** Select this submenu to set the fixture as a Master or Slave (Slave 1- Slave 9). Option "d.AbL" deactivates master/slave setting.

8.2 Slave control



This function allows you to control the slaves from the master's control panel in a master/slave operation. Select this function from the main menu and press [ENTER]. Browse the list of all connected slaves ("SL.C.1" - "SL.C.9") by pressing [UP] or [DOWN]. Select the desired slave and press [ENTER]-button. The matching slave control panel is available from the master control panel.

Note: This function is available from the master fixture only.

8.3 Fixture informations



Use this menu to read an useful information about the fixture.

Po.ti. --- **Power on time.** Select this submenu to read the number of operation hours of the MediaSpinner 50 AT.

totL --- The function shows the total number of the operation hours since the MediaSpinner 50 AT has been fabricated.

rSEt --- The function shows the number of the operation hours that the MediaSpinner 50 AT has been powered on since the counter was last reset. In order to reset this counter to 0 you have to hold [UP] and [DOWN] and press the [ENTER].

La.ti. --- **Lamp on time.** Select this submenu to read the number of the operation hours of the switched on load (e.g. projector).

totL --- The function shows the total number of the operation hours of the switched on load

since the MediaSpinner 50 AT has been fabricated.

rSEt --- The function shows the number of the switched on load since the counter was last reset. In order to reset this counter to 0 you have to hold [UP] and [DOWN] and press [ENTER].

Cur.t --- **Current fixture temperature.**

Current temperature on the main board in the base of the MediaSpinner 50 AT .
If the temperature exceeds 66°C, the fixture will go to the "Power down" mode.

Hi.tE --- **Maximum fixture temperature.**

The function shows the max. temperature on the main board since the MediaSpinner 50 AT has been fabricated.

rSEt --- **Maximum resetable temperature.**

The function shows the maximum temperature on the main board since the counter was last reset. In order to reset the counter to 0 you have to hold [UP] and [DOWN] and press the [ENTER].

DM.In --- **Readout of DMX values.** Select this function to read DMX values (0-255) of each channel received by the fixture.

PAn a coarse pan movement

F.PAn a fine pan movement

SPEd a pan speed

Func Special functions

VErS --- **Software version.** Select this function to read the software version of processors:

IC1.b --- Main processor on the main board in the fixture base

IC2.b --- Pan processor on the main board in the fixture base

IC3.b --- EEPROM on the main board in the fixture base

8.4 Personality



Use this menu to modify the MediaSpinner 50 AT operating behavior.

r.PAn --- **Pan reverse.** Select this function to invert the pan movement.

LA.Pr --- **Lamp presetting.** Select this menu to change the "behaviour" of power supply of the load .

LA.Au --- Select this function to switch on the the load automatically after switching on the MediaSpinner 50 AT.

d.L.OF --- Select this function to switch off the load via DMX.

dM.On --- This function allows you to switch on the load automatically after 26 seconds if DMX signal is present on the data link.

dM.OF --- This function allows you to switch Off the load automatically after 2 minutes if DMX signal is missing on the data link.

LA.dE --- Load power supply delay. This function allows you to set the time delay (0-90s) before the load will be switched on. This setting will not affect switching the load on direct from the control panel (menu "Lamp On/Off").

DiSP --- **Display adjusting.** This function allows you to change the display settings.

turn --- Select this function to turn the display by 180°.

d.On --- This function allows you to keep the display on or to turn off automatically 2 minutes after last pressing any button on the control panel.

d.Int --- Select this function to adjust the display intensity (20-min., 100-max.).

bL.Co --- **Blackout during movement correction.** Select this function to enable the blackout during the head movement correction (if the moving head lost its right pan/tilt position for a short moment).

FEEd --- **Pan feedback.** This function allows to return the moving plate to the required pan position after changing the position by external force (e.g. by stroke).

Be careful, the Pan Feedback OFF is not the standard operation and the fixture can be damaged!

Note: If the feedback was switched off, the pan-position is changed by an external force and the feedback is switched on again, the fixture might not be synchronized with the DMX signal. You have to make a reset in order to synchronize the fixture with the DMX signal.

Mi.SE. --- Microphone sensitivity. Select this function to adjust the microphone sensitivity from 1 (maximum) to 20 (minimum). If the sensitivity is correctly adjusted, the upper segment of the first digit blinks in the bass beat.

Examples:



underexited



right level



overexited

(upper segment blinks via a bass rhythm)

Fan.S. --- Fan speed operating modes. By using this function you can choose 2 types of the fan speed operating modes.

Auto --- The fan automatically raises its speed in order to control inside temperature of the fixture, if the temperature inside increases about certain level. This cycle can repeat several times until the temperature inside is on a suitable level.

HIGH --- The cooling fan works on max. speed (max. cooling).

PA.Mo. --- Pan movement mode. Use this menu to set the character of the pan movement.

ti.Mo. --- Time mode. The pan will pass its track in time that is set on the channel 3.

SP.Mo. --- Speed mode. The pan will pass its track with the speed that is set on the channel 3

ACCE --- Acceleration. Select this function in order to change the acceleration of the pan movement (0-min., 255- max.). Default value is 16 and this value matches load about 50 kg. If you use lighter load, you can set value greater than 16. If you want to change the acceleration of the pan movement, the pan has to be in static position to take this change in action.

In.Po. --- Init effect positions. Select this function to adjust all effects to the desired initial positions. After switching the fixture on (if DMX is not connected), all effects will move to initial positions. Use the [UP] and [DOWN] buttons to select desired channel and press [ENTER]. Set the effect to the desired position using [UP] and [DOWN] buttons and confirm by pressing [ENTER]. After having adjusted required effects, select "Stor." to save all values to the memory.

dF.SE. --- Default Settings . Select this option to set all fixture personalities to the default values.

8.5 Load On/Off



Use this option in order to switch on/off the power supply for load. The maximum current for load is 10 A. Do not exceed this value.

8.6 Manual mode



Select this menu to call up presetted positions of channel effects or direct control channel effects.

PrE.C. --- Presetted effect control. Select this menu to call up presetted positions of the channel effects.

Man.C. --- Manual effect control. Select this menu to control effects by control buttons on the control board.

PAn a coarse pan movement

F.PAn a fine pan movement

SPEd a pan speed

Func. Special functions

8.7 Test sequences



Use this menu to to run a special demo-test sequences without an external controller, which will show you some possibilities of using MediaSpinner 50 AT.

8.8 Stand-alone setting



Use this menu to set options for stand-alone mode as a selection of the playing program, programming and modifying current programs.

Audi --- **Music trigger.** Select this function to enable the sound control of the running programs via the built-in microphone.

Auto --- **Presetting playback.** This function allows you to select the program which will be played in the stand-alone mode after switching the fixture on. Selected program will be played continuously in a loop.

d.Abl --- The option disables "Auto" function.

tESt --- The option will start built-in test program.

PrG. 1 --- The option will start created program No.1

PrG. 2 --- The option will start created program No. 2

PrG. 3 --- The option will start created program No. 3

Note: If the fixture operates in the controller mode (DMX controller is connected) and any program from this menu is selected ,in this case the fixture will not respond to the DMX controller after switching on and will play selected program.

PLAY --- **Playing program.** Select this menu to run a built-in program or the 3 freely-programmable programs in a loop.

tESt --- The option starts built-in test program.

PrG.1 --- The option starts created program No. 1

PrG.2 --- The option starts created program No. 2

PrG.3 --- The option starts created program No. 3

Select the program you wish and press [ENTER]. The selected program starts running. By pressing [ENTER] is possible to pause the program running.

Edit --- **Editing program.** Select this menu to edit or create the program. The MediaSpinner 50 AT has one built-in program (test) and the 3 free programs, each up to 99 steps. Each program step has a step time. Step time - the time, during which effects last in the current step.

If the fixture is set as a master, then you may edit any program in the slaves. You can't edit programs on the slave fixtures from their control panels if the master fixture is switched on and connected to the slaves (editing is possible from the master control panel only).

Procedure:

1. Press [UP] or [DOWN] to select the program you want to edit ("PrG.1" - "PrG.3") and press [ENTER].
2. Press [UP] or [DOWN] to select the desired fixture ("MASt." - "SLA.9") and press [ENTER]-button.
3. Press [UP] or [DOWN] to select the desired program step ("St.01" - "St.99") and press [ENTER]-button.
4. Press [UP] or [DOWN] to select the desired item and press [ENTER]-button. Now you can edit by [UP] or [DOWN] buttons the DMX value (0-255) for selected item:

P.End. - a total number of the program steps (value 1-99). **This value you must set before start programming** (e.g. if you want to create program with the 10 steps, set P.End=10).

PAn a coarse pan movement

SpEd a pan speed

Func. special functions

S.tim. a step time, value 0,1-25,5 seconds

COPY. - copying the current prog. step to the next prog. step. If the last prog. step is copied to the next prog. step, parameter "**P.End**" is increased about one automatically (except step 99).

5. Press [ENTER]-button to confirm adjusted value.

6. Press [MODE]-button, select next prog. step and repeat this procedure (steps 4 - 6).

8.9 Reset function



This option enables the MediaSpinner 50 AT to index all effects (functions) and return to their standard positions.

8.10 Special functions



Use this menu for special services:

Code --- **Code**. This function contains identification hexadecimal code (0000-FFFF) for the fixture, which is used for the master/slave operation.

uPd.M. --- **Updating mode**. Using this function you can update software in the fixture via PC and serial link.

The following are required in order to update software:

- PC running Windows 95/98/2000/XP or Linux
- DMX Software Uploader
- Flash cable RS232/DMX (No.13050624)

Note 1: Software update should execute a qualified person. If you lack qualification, do not attempt the update yourself and ask for help your ROBE distributor.

Note 2: DMX address, IP address, programs 1-3 and all functions in menu "PErS" will be set to their default values.

To update software in the fixture:

1. Installation of DMX Software Uploader.

1. DMX Software Uploader program is available from the ROBE web site at WWW.robe.cz.
2. Make a new directory (e.g. Robe_Uploader) on your hard disk and download the software to it.
3. Unpack the program from the archive. If the Robe fixture is produced in magnetic and electronic ballast version, name of DMX Software Uploader is the same for both versions.

2. Fixture software updating.

1. Determine which of your COM port is available on your PC and connect it with to the DMX input of the fixture using the uploading cable. Do not extend this cable! Disconnect the fixture from the other fixtures in DMX chain! Turn on the computer and the fixture.
2. Switch the fixture to the update mode by selecting the option Updating mode in menu Special Functions on the fixture control panel: SPEC-->UPd-->yES. (From this option you cannot return back to the main menu. If you do not want to continue in software update, you have to switch off and on the fixture to leave this option!)
3. It is recommended that you exit all programs before running the Software Uploader.
4. Start the Software Uploader program. Select desired COM and then click Connect button. If the connection is OK, click Start Uploading button to start uploading. It will take several minutes to perform software update. If the option "Incremental Update" isn't checked, all processors will be updated (including processors with the same software version). If you wish to update only later versions of processors, enable the Incremental Update check box. Avoid interrupting the process. Update status is being displayed in the list window. When the update is finished, the line with the text "The fixture is successfully updated" will appear in this window and the fixture will reset with the new software.

Note: In the case of interruption of the upload process (e.g. power cut), the fixture remains in the update mode and you have to repeat the software update again.

For example: The fixture was switched off before finishing software upload. After switching the fixture on again, the fixture is still in the update mode and the display is dark. Restart the Software Uploader program and repeat software update from your PC.

9. Low power mode

This mode omits fixture reset after switching the fixture on and lowers motor powers of the fixture. "Power down mode" is useful in special cases, e.g. if the fixture is in a tight case and you want to set its DMX address without taking it out from the case. To enter "Power down mode", press and hold [UP] and [DOWN] and at the same time switch on the Power switch. The following message appears on the display: "**P.d.Mo.**"

Press [ENTER] to activate "Low power mode" without fixture reset. Now you can set features and behaviour of the fixture by using "**A001**" and "**Pers.**" menu. If you want to go to the "normal operation mode", execute a fixture reset.

10. Error and information messages

Mb.Er.

This message informs you that the main PCB does not communicate correctly with the Control Board.

Fr.Er.

This message will appear if the frequency of the main is not standard 50 or 60 Hz. This message can appear as a result of the interference during the lamp starting (if the lamp or igniter is old) or as a result of the interference by neighbouring devices. **In these cases the message does not affect the fixture operating!**

Po.Er.

This message will appear if the fixture was shortly disconnect from the mains.

PA.Er. (Pan movement error)

This message will appear after the reset of the fixture if the pan plate's magnetic-indexing circuits malfunction (sensors failed or magnet missing) or the stepping motor is defective. (Or its driving IC on the main PCB). The pan plate is not located in the default position after the reset.

MA.Er. (Master error)

The message informs you that the fixture was addressed as a master and DMX signal is connected to its input. Disconnect the DMX controller from fixture's input and address the fixture as the master again.

11. Technical specifications

Power supply:

EU-model: Voltage:.....208/230/240V AC, 50/60Hz ~
Fuse:.....T 630mA @ 230V
US-model: Voltage:.....100/120/208/230/240V AC, 50/60Hz ~
Fuse:.....T 1.25 @ 120V
Power consumption:.....30 VA
Fuse for load:.....T 10 A

Electronics:

- Addressing, special functions setting via control panel with 4-digit LED display
- Readout fixture usage, receiving DMX values, temperature, etc
- Built-in analyzer for easy fault finding, error messages
- Built-in demo sequences
- Silent cooling,
- Master/slave operation
- Digital serial input/output DMX-512
- 4 control channels
- load: BNC Type RGBHV outputs
 - Audio output
 - Power supply output
 - DMX output

Pan

- Pan movement range 450°
- 16 bit movement resolution

- Automatic pan position correction
- Remotely controllable speed of pan movement for easy programming
- Movement control:tracking and vector

Rigging

- Stands directly on the floor
- Mounts horizontally with 2 Omega brackets
- Safety chain/cord attachment point

Max.load

50 kg

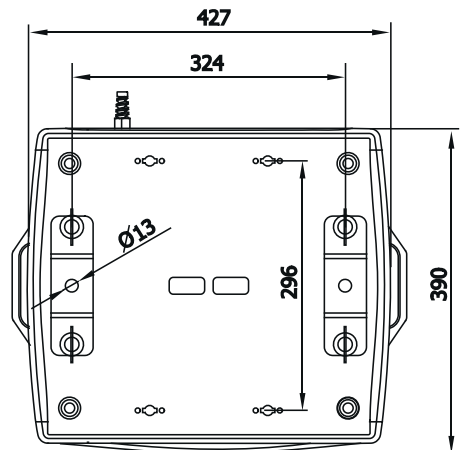
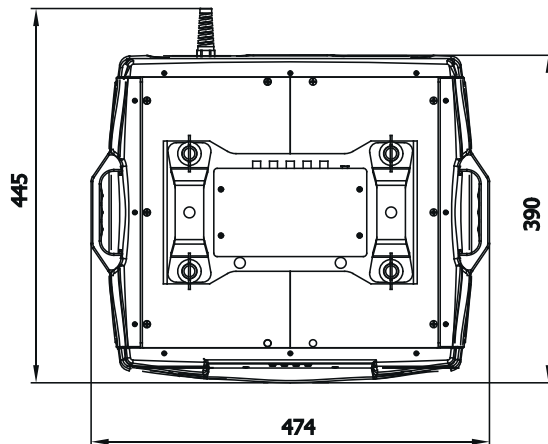
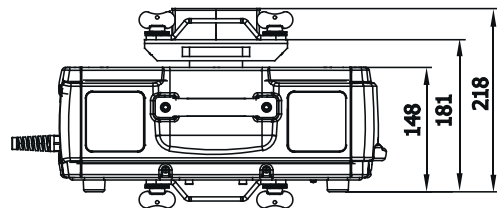
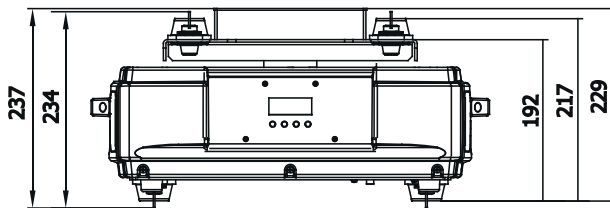
Max.current for load

10 A

Max.ambient temperature

40°C

Dimensions(mm):



Weight (net):

13.4 kg

Accessories

Omega holder (4 pieces).....No.99010420

12. Maintenance and cleaning

It is absolutely essential that the fixture is kept clean. Dust must be cleaned from the fan and air vents periodically. The interior of the fixture should be cleaned at least annually using a vacuum-cleaner or an air-jet.

DANGER !
***Disconnect from the mains before starting any
maintenance work***

More complicated maintenance and service operations are only to be carried out by authorized distributors.

Replacing the fuse

Only replace the fuse by a fuse of same type and rating. Before replacing the fuse, unplug mains lead!

Procedure:

- 1) Unscrew the fuseholder on the rear panel of the base with a fitting screwdriver from the housing (anti - clockwise).
- 2) Remove the old fuse from the fuseholder.
- 3) Install the new fuse in the fuseholder.
- 4) Replace the fuseholder in the housing and fix it.