

30A Solar Charge Controller



User's Manual

Thank you for purchasing the 30A Solar Charge Controller by Wagan Tech. With proper care and treatment, it will provide years of reliable use.

The Solar Charge Controller is designed to protect your 12 volt GEL or LEAD ACID battery from being overcharged by solar panel. It also provides the protection of battery reverse connection. This controller will display charging current or battery voltage from the LCD meter.

SAFETY WARNINGS!

Working in vicinity of a lead-acid battery is dangerous. Batteries generate explosive gases during normal battery operation.

- Wear complete eye and clothing protection when working with lead-acid batteries.
- Make sure that someone is within range of your voice to come to your aid if needed while you work with or are near a lead-acid battery.
- Have plenty of fresh water and soap nearby for use in case battery acid contacts your eyes, skin, or clothing. If this happens, wash immediately with soap and water. Then get medical attention.
- Avoid touching your eyes while working with a battery. Acid particles (corrosion) may get into your eyes. If this occurs, flush eyes immediately with running cold water for least 10 minutes. Then immediately get medical attention.
- Never charge a frozen battery.

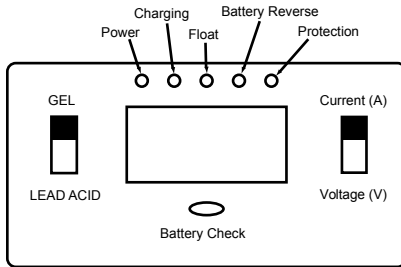
- Remove all personal metal items from your body such as rings, bracelets, necklaces and watches, while working with a lead-acid battery. A battery can produce a short circuit current high enough to weld a ring (or the like) to metal, causing a severe burn.
- Take care not to drop any metal tool or metal object onto the battery. This may result in a spark or short circuit across the battery or another electrical device that may cause an explosion.
- Always operate the charge controller in an open, well-ventilated area.
- Never smoke or allow spark or flame in the vicinity of the battery. Batteries generate explosive gases.
- Neutralize any acid spills thoroughly with baking soda before attempting to clean up.

Caution Against Misuse:

Do not exceed the solar array power and the controller's current and voltage ratings:

- Maximum solar array power: 400W for SC-30 and 150W for SC-10.
- Maximum charging current: 30 amps for SC-30 and 10 amps for SC-10.
- Maximum solar array voltage rating: 22 volts.
- Do not reverse the Battery and Solar Array connections to the controller.

Front Panel



LED indication:

- Power: Solar power has sufficient voltage, power LED will light.
- Charging: Indicates the solar power charges the battery.
- Float: After full charging the battery, the controllers enter the float mode.
- Battery reverse: LED lights when battery is reversely connected.
- Protection: LED lights when temperature of heat sink reaches 60° C. When temperature drops down to about 55° C, the light will go off.

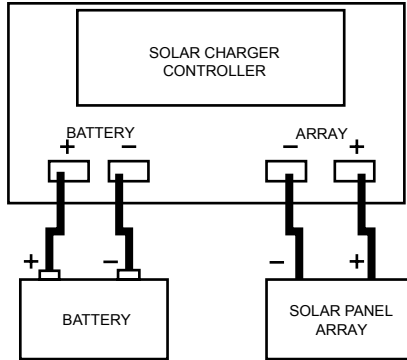
Switch:

- GEL / LEAD-ACID switch: Selects the GEL or LEAD-ACID battery.
- Current / Voltage switch: Shows the charging current or battery voltage in charging process.

Battery Check button:

- Press button to show battery voltage (as if no solar panels are connected). Do not use damaged batteries: The solar voltage controller will not detect damaged batteries, only low voltage batteries.

Connection diagram: (back view)

**Connection procedures:**

1. Fix the mounting of the solar controller panel.
2. Select GEL or LEAD-ACID battery modes.
3. Connect the solar panel positive side to the solar controller ARRAY POSITIVE + with a suitable wire.
4. Connect the solar panel negative side to the solar controller ARRAY NEGATIVE - with a suitable wire.
5. Connect the battery positive side to the solar controller BATTERY POSITIVE + with a suitable wire.
6. Connect the battery negative side to the solar controller BATTERY NEGATIVE - with a suitable wire.

Specification:

Max. solar panel array power	400 W
Input voltage	16.5 V ~ 22 V
Max. input voltage	22 V
Max. charging current	30 A
Constant voltage for GEL battery	14.2 V
Constant voltage for Lead Acid battery	14.6 V
Float voltage	13.5 V
Temperature protection	Yes (by electronic circuit)
Battery reverse protection	Yes (by electronic circuit)
Output short protection	Yes (by electronic circuit)
Operating temperature	32 °F ~ 104 °F
Storage temperature	14 °F ~ 158 °F
Dimension (in)	7.1(L) x 4.1(W) x 1.2(H)
Weight	0.6 lb

Please activate my limited warranty for WAGAN Corp.

Name	
Mailing Address	
City	
State, Zip code	
E-mail Address	
Item Purchased	Item No.
Store Name	
Date of Purchase	
Signature	Date

All WAGAN Corporation Products must be registered within (30) days of purchase to activate this warranty. Mail the complete registration form, along with a copy of the original sales receipt to:

Attn: Customer Service
WAGAN Corporation
31088 San Clemente St.
Hayward, CA 94544
U.S.A.



WAGAN Corp. Limited Warranty

All WAGAN Corporation products are warranted to the original purchaser of this product.

Warranty Duration: This product is warranted to the original purchaser for a period of one (1) Year from the original purchase date, to be free of defects in material and workmanship. WAGAN Corporation disclaims any liability for consequential damages. In no event will WAGAN Corporation be responsible for any amount of damages beyond the amount paid for the product at retail. In the event of a defective item, please contact WAGAN Corporation at (800) 231-5806 to obtain a Returned Merchandise Authorization number (RMA#), and return instructions. Each item returned will require a separate RMA#. After you have received the RMA# and the return instructions from WAGAN Corporation, please follow the instructions and send the item with PREPAID SHIPPING, along with all of the required documentation, a complete explanation of the problem, your name, address and daytime phone number. WAGAN Corporation will, at its option, replace or repair the defective part.

A Returned Merchandise Authorization number (RMA#) is REQUIRED when sending in any defective item. WAGAN Corporation is not responsible for any item(s) returned without an official Returned Merchandise Authorization number. The item(s) must be returned with prepaid shipping. WAGAN Corporation is not responsible for any shipping charges incurred in returning the item(s) back to the company for repair or replacement. This warranty is void if the product has been damaged by accident, in shipment, unreasonable use, misuse, neglect, improper service, commercial use, repairs by unauthorized personnel or other causes not arising out of defects in materials or workmanship. This warranty is effective only if the product is purchased and operated in the USA and does not extend to any units which have been used in violation of written instructions furnished.

Warranty Disclaimers: This warranty is in lieu of all warranties expressed or implied and no representative or person is authorized to assume any other liability in connection with the sale of our products. There shall be no claims for defects or failure of performance or product failure under any theory of tort, contract or commercial law including, but not limited to negligence, gross negligence, strict liability, breach of warranty and breach of contract.

Warranty Performance: During the above one (1) Year warranty period, a product with a defect will be replaced with a comparable model when the product is returned to WAGAN Corporation with an original store receipt. The replacement product will be in warranty for the balance of the one (1) Year warranty period.

©2008 WAGAN Corp. *Updated August 2008*



www.wagan.com

customerservice@wagan.com

USA & CAN Toll Free: 1.800.231.5806

Tel: +1.510.471.9221

31088 San Clemente Street

Hayward, CA 94544

U.S.A.