

SINGER
6210/6212/6606 Series

LIST OF PARTS

SEWING MACHINE SERIES

6210

*SAME AS
6206*

by
SINGER*

6212

© THE SINGER COMPANY
1989 SINGER DO BRASIL
ALL RIGHTS RESERVED

*6214
6215*

* REGISTERED TRADEMARK

PRINTED IN BRAZIL
356493-001


6210 SERIES
REVISION RECORD

REV.	DESCRIPTION	APPROVAL AND DATE
1	<p style="text-align: center;">ADOPTED BY SERVICE LETTER NBR 009</p> <p>CHANGED REF. NBR 01 FROM P/N 354642-451 TO P/N 355240-451 PAGE 30</p> <p>CHANGED REF. NBR 02 FROM P/N 445840 TO P/N 445841 PAGE 30</p> <p>CHANGED REF. NBR 20 FROM P/N 353539 TO P/N 44628 PAGE 30</p> <p>ADDED REF. NBR 27 P/N 618638-005 PAGE 29/30</p> <p>DELETED REF. NBR 12 P/N 113455-001 (1) PAGE 31</p> <p>CHANGED REF. NBR 13 FROM P/N 356165 TO P/N 356605 PAGE 42</p> <p>CHANGED REF. NBR 13 FROM P/N 446487 TO P/N 446487-001 PAGE 44</p>	<p style="text-align: center;">3425</p> <p>08/07/89</p> <p style="text-align: center;">3425</p> <p>08/07/89</p> <p style="text-align: center;">6928</p> <p>08/24/89</p> <p style="text-align: center;">3425</p> <p>08/08/89</p> <p style="text-align: center;">6994</p> <p>10/02/89</p> <p style="text-align: center;">3413</p> <p>09/06/89</p> <p style="text-align: center;">3372</p> <p>07/10/89</p>
2	<p>CHANGED REF. NBR 18 FROM P/N 141938-833 TO P/N 141803-830 PAGE 18</p> <p>CHANGED REF. NBR 05 FROM P/N 549426-451 TO P/N 445808 PAGE 38</p> <p>CHANGED REF. NBR 04 FROM P/N 549426-451 TO P/N 445808 PAGE 40</p>	<p style="text-align: center;">7029</p> <p>03/27/89</p> <p style="text-align: center;">3488</p> <p>10/22/89</p> <p style="text-align: center;">3488</p> <p>10/22/89</p>
3	<p>CHANGED REF. NBR 11 FROM P/N 381213 TO P/N 356630 PAGE 01/02</p> <p>ADDED REF. NBR 27 P/N 356819 PAGE 19/20</p> <p>ADDED REF. NBR 19 P/N 353410-900 PAGE 25/26</p> <p>ADDED REF. NBR 20 P/N 141938-833 PAGE 25/26</p> <p>ADDED REF. NBR 21 P/N 353367-451 PAGE 25/26</p> <p>ADDED REF. NBR 22 P/N 544117 PAGE 25/26</p> <p>ADDED REF. NBR 23 P/N 618638-004 PAGE 25/26</p> <p>CHANGED REF. NBR 16 FROM P/N 313190-451 TO P/N 446138 PAGE 32</p> <p>CHANGED REF. NBR 06 FROM P/N 356256-001 TO P/N 353424 PAGE 34</p> <p>CHANGED REF. NBR 03 FROM P/N 353472 TO P/N 356397 PAGE 35/36</p> <p>ADDED REF. NBR 04 P/N 354975-451 PAGE 35/36</p> <p>ADDED REF. NBR 05 P/N 44892 PAGE 35/36</p> <p>ADDED REF. NBR 06 P/N 618638-005 PAGE 35/36</p> <p>CHANGED REF. NBR 13 FROM P/N 353487 TO P/N 353478 PAGE 35/36</p>	<p style="text-align: center;">7121</p> <p>06/18/90</p> <p style="text-align: center;">7156</p> <p>08/20/90</p> <p style="text-align: center;">7165</p> <p>07/30/90</p> <p style="text-align: center;">7165</p> <p>07/30/90</p> <p style="text-align: center;">7165</p> <p>07/30/90</p> <p style="text-align: center;">7165</p> <p>07/30/90</p> <p style="text-align: center;">7165</p> <p>07/30/90</p> <p style="text-align: center;">3488</p> <p>10/15/89</p> <p style="text-align: center;">7198</p> <p>08/27/90</p> <p style="text-align: center;">7094</p> <p>06/25/90</p> <p style="text-align: center;">7094</p> <p>06/25/90</p> <p style="text-align: center;">7094</p> <p>06/25/90</p> <p style="text-align: center;">7094</p> <p>06/25/90</p> <p style="text-align: center;">7094</p> <p>06/25/90</p>

6210 SERIES
REVISION RECORD

REV.	DESCRIPTION	APPROVAL AND DATE
3	CHANGED REF. NBR 12 FROM P/N 113455-001 TO P/N 355243-451 PAGE 42	3437 11/13/89 <i>Thull</i>
	CHANGED REF. NBR 08 FROM P/N 353517-451 TO P/N 356795-454 PAGE 37/38	7195 09/18/90
	CHANGED REF. NBR 08 FROM P/N 353517-45Y TO P/N 356795-455 PAGE 37/38	7195 09/18/90
	CHANGED REF. NBR 09 FROM P/N 353516-451 TO P/N 356796-454 PAGE 37/38	7195 09/18/90
	CHANGED REF. NBR 09 FROM P/N 353516-45Y TO P/N 356796-455 PAGE 37/38	7195 09/18/90
	DELETED P/N 445945 PAGE 37/38	7195 09/18/90
	DELETED P/N 113433-451 PAGE 37/38	7195 09/18/90
	DELETED P/N 353445 PAGE 37/38	7195 09/18/90
	CHANGED REF. NBR 13 FROM P/N 179903-451 TO P/N 356654-451 PAGE 37/38	7195 09/18/90
	CHANGED REF. NBR 13 FROM P/N 179903-453 TO P/N 356654-452 PAGE 37/38	7195 09/18/90
	CHANGED REF. NBR 13 FROM P/N SK3935-006 TO P/N 356654-458 PAGE 37/38	7195 09/18/90
	CHANGED REF. NBR 13 FROM P/N SK3935 TO P/N 356654-457 PAGE 37/38	7195 09/18/90
	CHANGED REF. NBR 19 FROM P/N 353305 TO P/N 356652 PAGE 37/38	7195 09/18/90
4	CHANGED REF. NBR 20 FROM P/N 44612 TO P/N 44892 PAGE 37/38	7195 09/18/90
	CHANGED REF. NBR 21 FROM P/N 353446 TO P/N 356650 PAGE 37/38	7195 09/18/90
	DELETED P/N 445721 PAGE 37/38	7195 09/18/90
	ADDED REF. NBR 22 P/N 618638-005 PAGE 37/38	7195 09/18/90
	ADDED REF. NBR 24 P/N 356830-001 PAGE 37/38	7230 10/25/90
	CHANGED REF. NBR 08 FROM P/N 353318-451 TO P/N 356790-457 PAGE 39/40	7195 09/18/90
	CHANGED REF. NBR 09 FROM P/N 353517-451 TO P/N 356791-457 PAGE 39/40	7195 09/18/90
	DELETED P/N 445945 PAGE 39/40	7195 09/18/90
	DELETED P/N 113433-451 PAGE 39/40	7195 09/18/90
	DELETED P/N 353445 PAGE 39/40	7195 09/18/90
	CHANGED REF. NBR 13 FROM P/N 179903-451 TO P/N 356654-451 PAGE 39/40	7195 09/18/90
	DELETED P/N 445721 PAGE 39/40	7195 09/18/90
	ADDED REF. NBR 25 P/N 618638-005 PAGE 39/40	7195 09/18/90

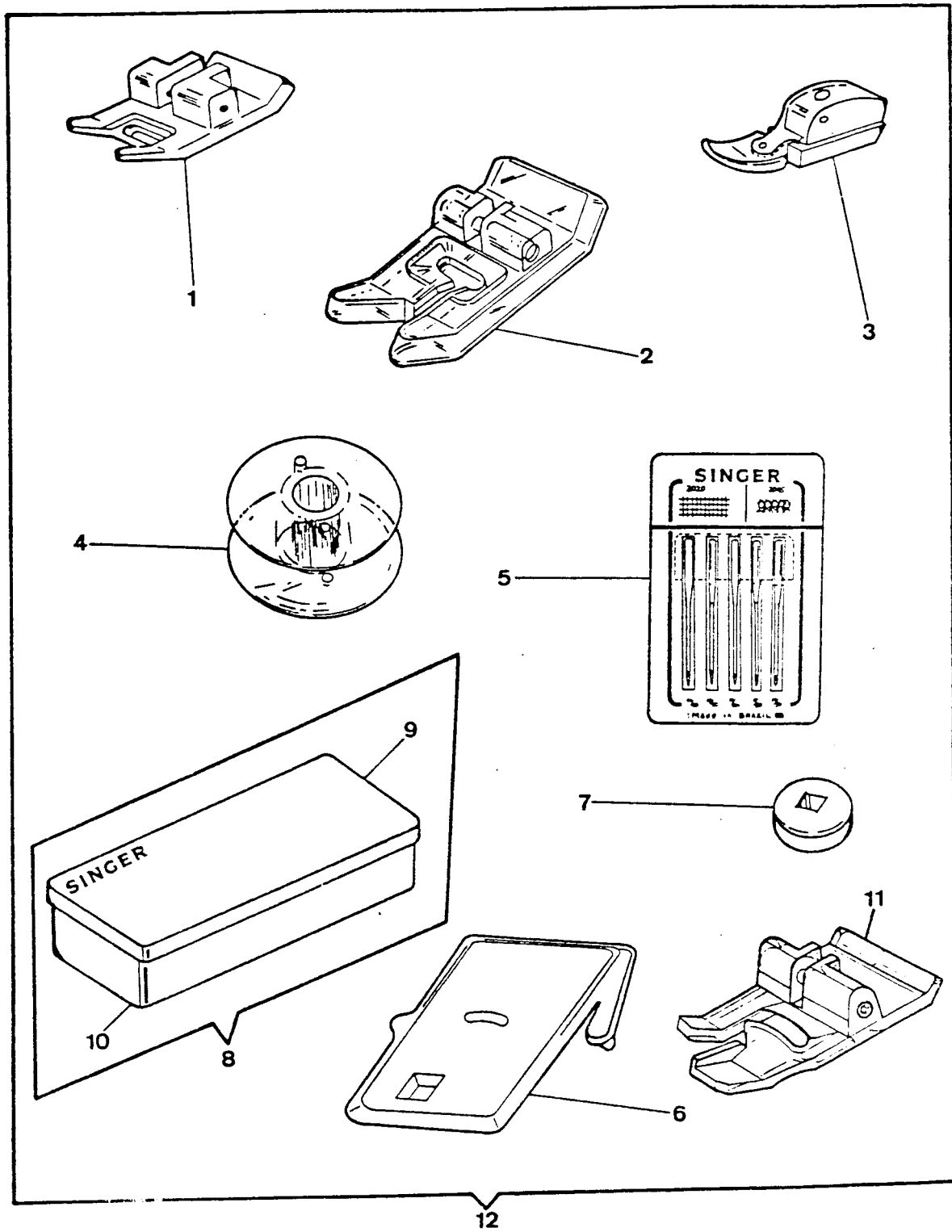
6210 SERIES
REVISION RECORD

REF.	DESCRIPTION	APPROVAL AND DATE
4	CHANGED REF. NBR 26 FROM P/N 353446 TO P/N 356650 PAGE 39/40 CHANGED REF. NBR 27 FROM P/N 44612 TO P/N 44892 PAGE 39/40 CHANGED REF. NBR 28 FROM P/N 353305 TO P/N 356652 PAGE 39/40 ADDED REF. NBR 30 P/N 356830-001 PAGE 39/40	7195 09/18/90 7195 09/18/90 7195 09/18/90 7230 10/25/90 <div style="position: absolute; left: 910px; top: 190px;">  </div>
5	NUMEROUS CHANGES	11/05/92
6	COLOR CHANGING : FROM LIGHT BUFF TO SNOW WHITE EFFECTIVE DATE : FEB. 1993	

INDEX

PAGE NBR	SUB-ASSEMBLY
01 , 02	ATTACHMENT SET
03 , 04	ARM, BED, THROAT PLATE & BED SLIDE
05 , 14	COVERS & ADD-ONS
15 , 18	NEEDLE BAR, PRESSER BAR & TAKE-UP
19 , 20	ARM SHAFT DRIVE
21 , 22	HAND WHEEL
23 , 24	TENSION ASSEMBLY
25 , 26	HOOK SYSTEM
27 , 28	BIGHT AMPLITUDE
29 , 30	NEEDLE POSITION
31 , 32	DISC SELECTION ASSEMBLY
33 , 34	CAM STACK
35 , 36	FEED REGULATOR CAM
37 , 40	BUTTONHOLER & FEED REGULATOR CAM
41 , 42	CAM CONTROLLED FEED
43 , 44	FEED SYSTEM
45 , 46	OPTIONS
47 , 53	ELECTRICAL EQUIPMENT

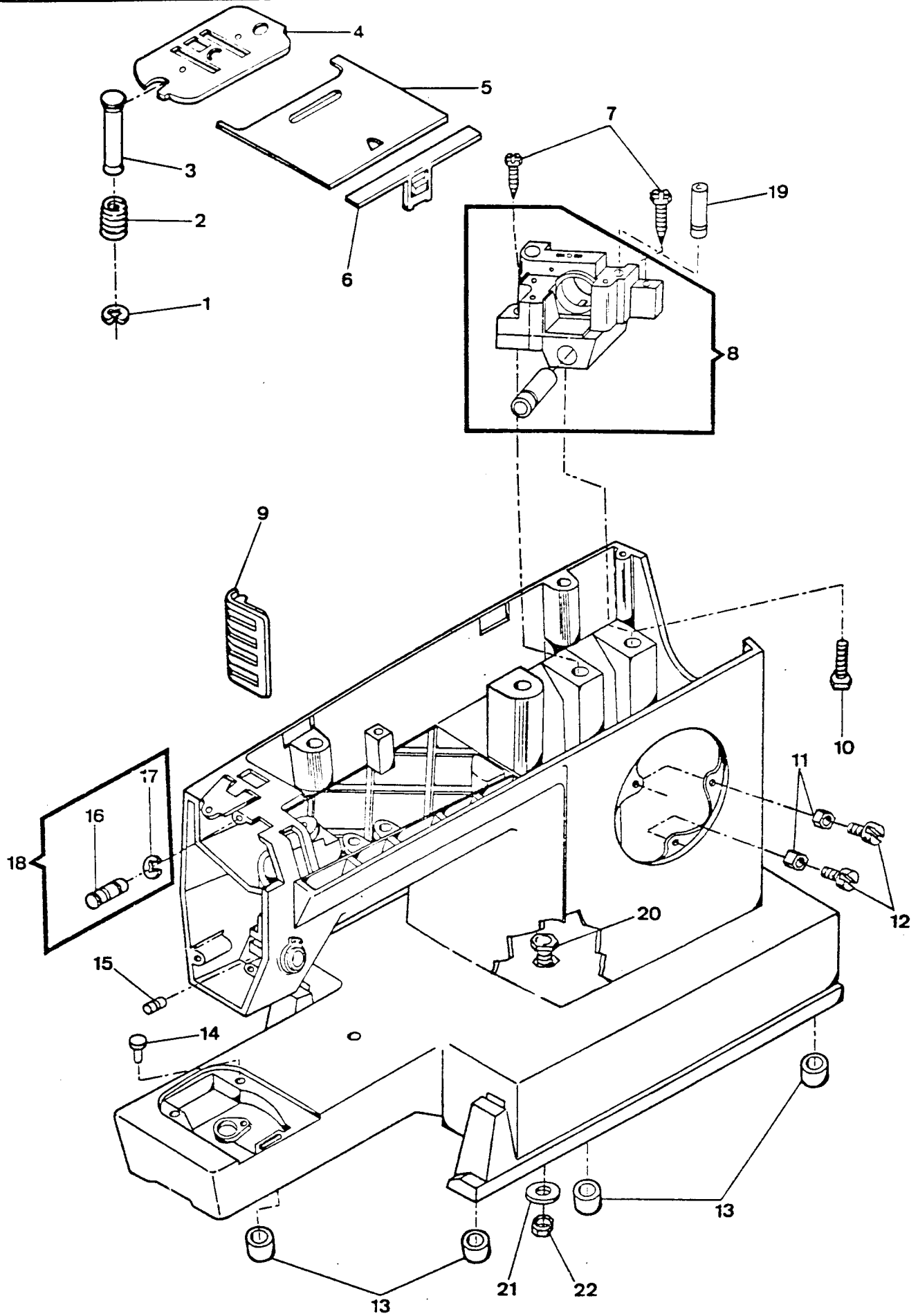
ATTACHMENT SET



PART LIST
ATTACHMENT SET

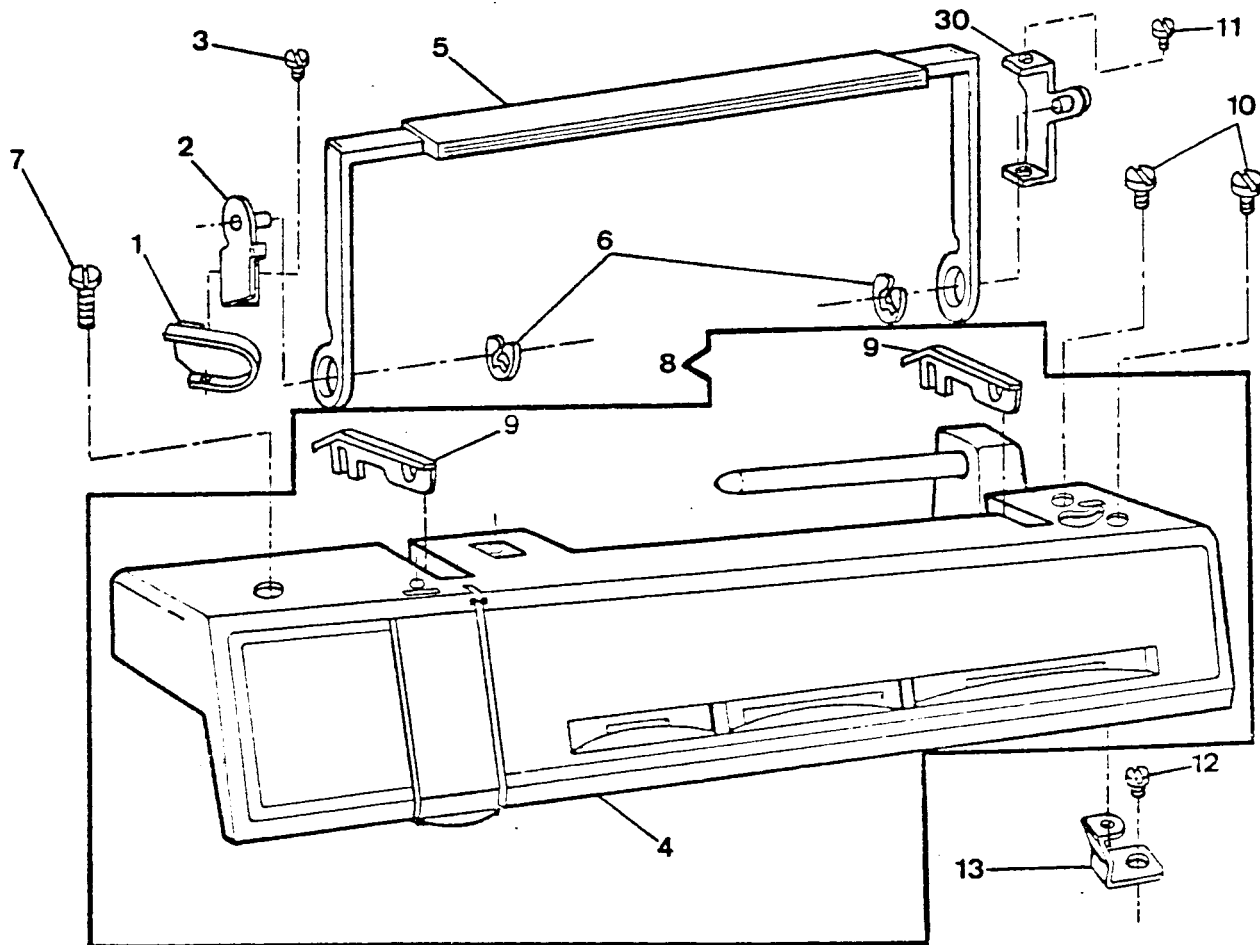
REF.	PART NBR	DESCRIPTION	6	6	6	6	6
			2	2	2	2	2
			1	1	1	1	1
			1	2	4	5	7
01	446492-451	SPECIAL PURPOSE PRESSER FOOT PLATE (SNAP-ON)		X	X	X	X
02	161927	PRESSER FOOT PLATE (SNAP-ON) FOR SEWING BUTTONHOLES		X	X	X	X
03	507836	PRESSER FOOT PLATE (SNAP-ON) COMPLETE FOR CORDING & SLIDE FASTENERS		X	X	X	X
04	172336	BOBBIN (PLASTIC)	X	X	X	X	X
05	353364	NEEDLE PACK (INCLUDES 1 EA. N2020 SIZE 11/14/16 & N2045 SIZE 11/14)	X	X	X	X	X
05	410152	NEEDLE PACK (5 NEEDLES) FOR JAPAN	X	X	X	X	X
06	313117	FEED COVER PLATE (PLASTIC)	X	X	X	X	X
07	507664-467	ARM TOP COVER SPOOL PIN THREAD LEAD-OFF (SMALL PLASTIC)	X	X	X	X	X
08	446150-455	ATTACHMENT BOX COMPLETE	X	X	X	X	X
09	446149-458	ATTACHMENT BOX COVER (PLASTIC)	X	X	X	X	X
10	446148-456	ATTACHMENT BOX BASE (PLASTIC)	X	X	X	X	X
11	356630	BLIND STITCH GUIDE		X	X	X	X
12	446495-001	ATTACHMENT SET COMPLETE	X				
12	356210-001	ATTACHMENT SET COMPLETE (AMEDO)	X				
12	353480-003	ATTACHMENT SET COMPLETE (FOR JAPAN)	X				
12	446496-003	ATTACHMENT SET COMPLETE		X	X	X	X
12	356211-001	ATTACHMENT SET COMPLETE (AMEDO)		X	X	X	X
12	353481-008	ATTACHMENT SET COMPLETE (FOR JAPAN)		X	X	X	X

ARM, BED, THROAT PLATE & BED SLIT



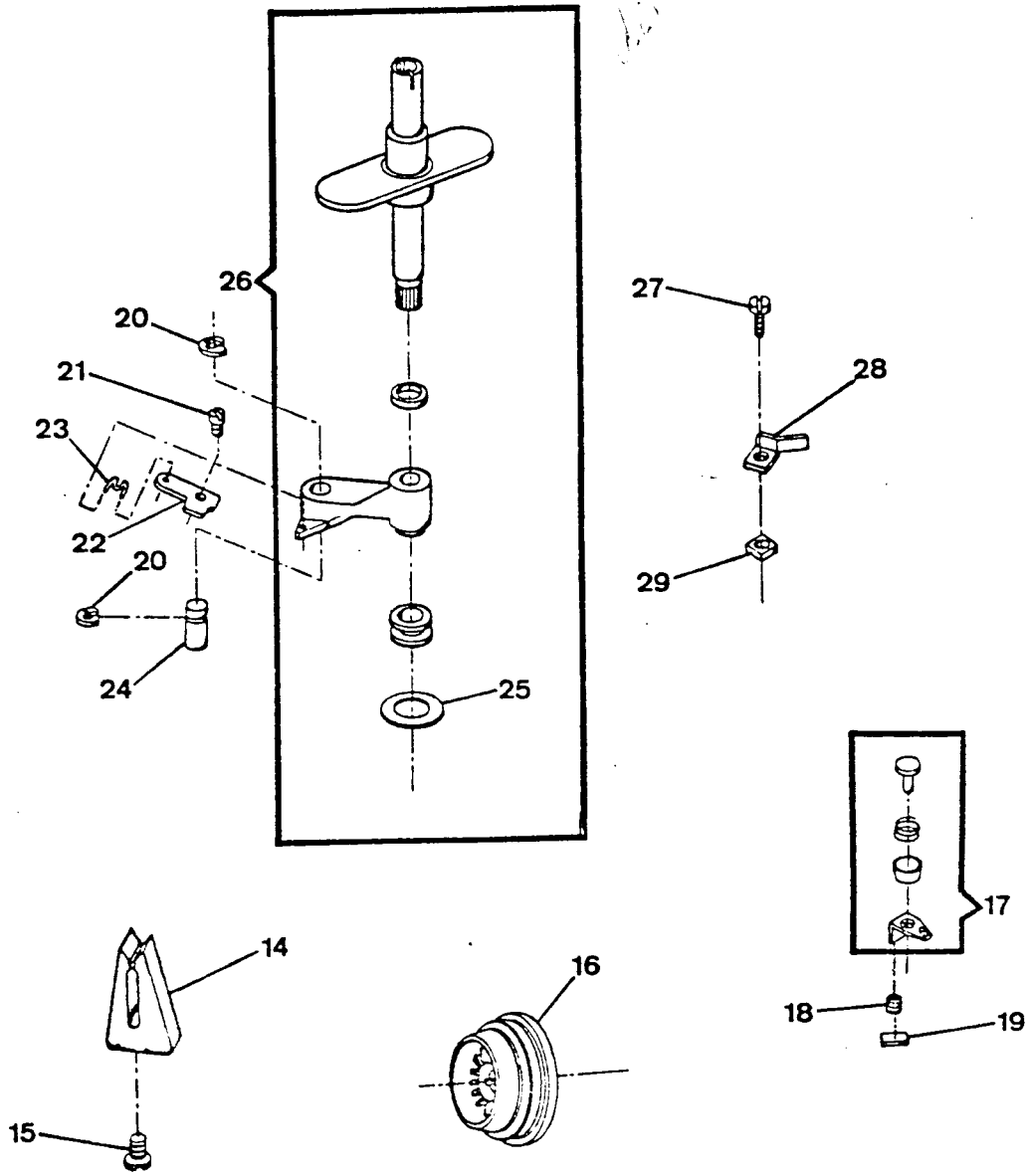
PART LIST
ARM, BED, THROAT PLATE & BED SLIDE

REF.	PART NBR	DESCRIPTION					
			6	6	6	6	6
			2	2	2	2	2
			1	1	1	1	1
			1	2	4	5	7
01	179926	THROAT PLATE CLAMP SPRING RETAINING RING	X	X	X	X	X
02	353494	THROAT PLATE CLAMP SPRING	X	X	X	X	X
03	353597	THROAT PLATE CLAMP	X	X	X	X	X
04	312777	THROAT PLATE FOR ZIG-ZAG SEWING	X	X	X	X	X
05	446481	BED SLIDE	X	X	X	X	X
06	446482	BED SLIDE SPRING (SNAP-ON)	X	X	X	X	X
07	113455-006	ARM SHAFT (REAR) HOUSING MOUNTING SCREW	X	X	X	X	X
08	446347-002	ARM SHAFT (REAR) HOUSING ASSEMBLY	X	X	X	X	X
09	353360-45X	ARM INSERT MOTOR VENT GRILL	X	X	X	X	X
10	446349-451	ARM SHAFT (REAR) HOUSING MOUNTING BOLT	X	X	X	X	X
11	353588-451	BUTTONHOLER & FEED REGULATOR NUT		X	X	X	X
12	113513-451	BUTTONHOLER & FEED REGULATOR SCREW		X	X	X	X
13	353559-451	BED CUSHION	X	X	X	X	X
14	353624	THROAT PLATE POSITION PIN	X	X	X	X	X
15	446358	TENSION RELEASING LEVER HINGE PIN	X	X	X	X	X
16	446375	THREAD TAKE-UP LEVER LINK HINGE STUD	X	X	X	X	X
17	353215	THREAD TAKE-UP LEVER LINK HINGE STUD RETAINING RING	X	X	X	X	X
18	353623	TENSION RELEASING LEVER HINGE PIN	X	X	X	X	X
19	446465-001	ARM TOP COVER SUPPORT STUD	X	X	X	X	X
20	446346-451	BED (BOTTOM) COVER & CABINET BOLT	X	X	X	X	X
21	446459-452	ARM BED BOLT LOCK WASHER	X	X	X	X	X
22	446345-451	ARM BED MOUNTING BOLT	X	X	X	X	X



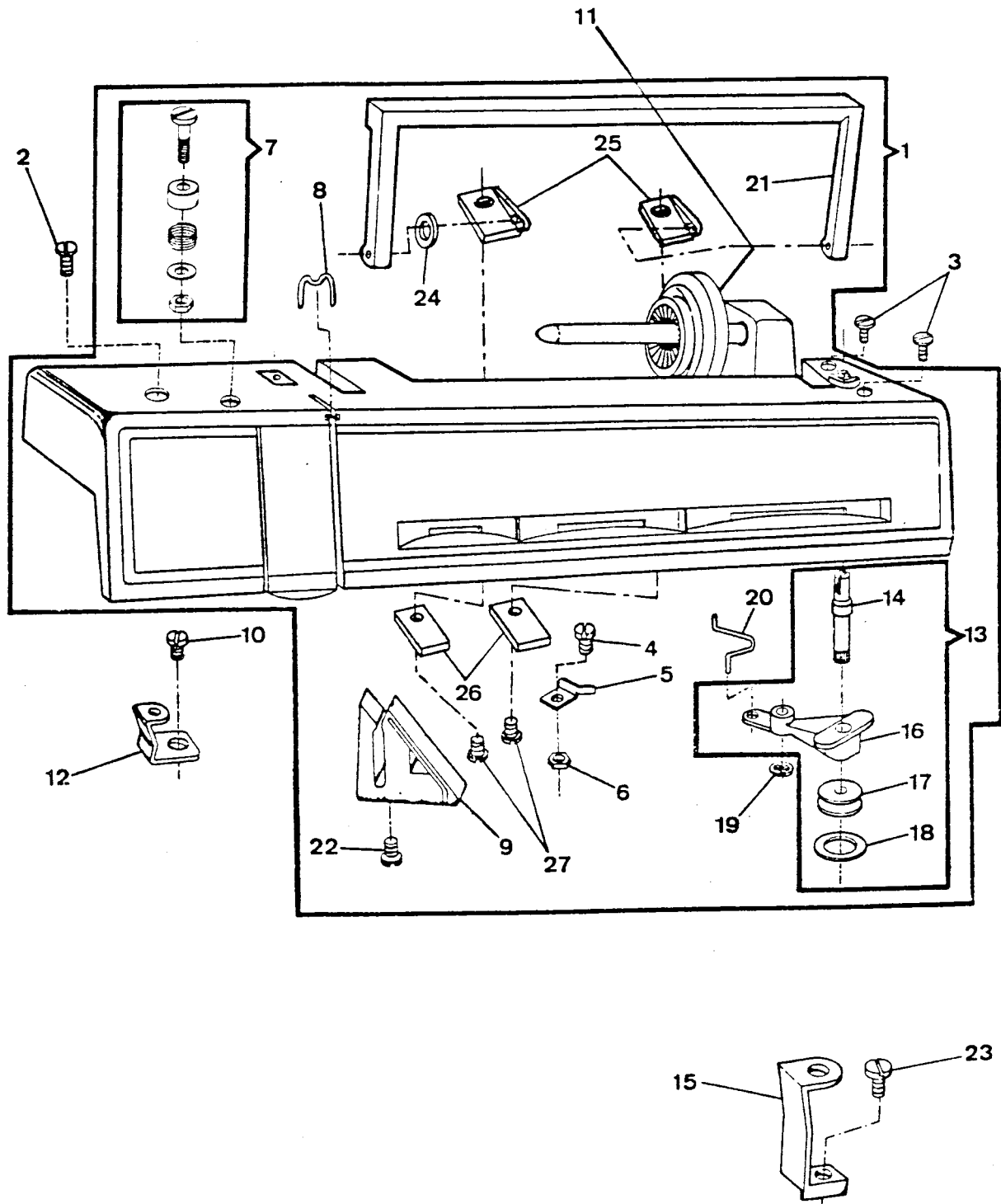
PART LIST
COVERS & ADD-ONS (FOR METAL HANDLE MACHINE)

REF.	PART NBR	DESCRIPTION	6	6	6	6	6
			2	2	2	2	2
			1	1	1	1	1
			1	2	4	5	7
01	446498	ARM TOP COVER HANDLE RETAINING SPRING	X	X	X	X	X
02	179886	ARM TOP COVER HANDLE HINGE PIN BRACKET (LEFT) ASSEMBLY	X	X	X	X	X
03	354826-451	ARM TOP COVER HANDLE HINGE PIN BRACKET MOUNTING SCREW	X	X	X	X	X
04	179987-001	ARM TOP COVER ASSEMBLY (WITHOUT LOGO)	X				
04	179987-003	ARM TOP COVER ASSEMBLY (WITH "SAMBA 2" LOGO)	X				
04	356535-451	ARM TOP COVER ASSEMBLY (WITHOUT LOGO)			X		
04	356535-452	ARM TOP COVER ASSEMBLY (WITH "SAMBA 5" LOGO)	X		X		
04	356546-451	ARM TOP COVER ASSEMBLY (WITHOUT LOGO)					X
04	356546-452	ARM TOP COVER ASSEMBLY (WITH "SAMBA 6" LOGO)					X
04	356550-451	ARM TOP COVER ASSEMBLY (FOR JUBILE & SAMBA EXCLUSIVE)					X
04	356533-451	ARM TOP COVER ASSEMBLY (WITHOUT LOGO)					X
04	356533-452	ARM TOP COVER ASSEMBLY (WITH "SAMBA 7" LOGO)					X
04	353372-00X	ARM TOP COVER ASSEMBLY (FOR LADY STAR M/C)			X		
04	353372-001	ARM TOP COVER ASSEMBLY (WITHOUT LOGO)			X		
04	353372-003	ARM TOP COVER ASSEMBLY (WITH "SAMBA 4" LOGO)			X		
05	353592-451	ARM TOP COVER HANDLE	X	X	X	X	X
06	445721	ARM TOP COVER HANDLE RETAINING RING	X	X	X	X	X
07	354975-451	ARM TOP COVER SCREW	X	X	X	X	X
08	353292-001	ARM TOP COVER COMPLETE (WITHOUT LOGO)			X		
08	353292-002	ARM TOP COVER COMPLETE (WITH "SAMBA 5" LOGO)			X		
08	353293-001	ARM TOP COVER COMPLETE (WITHOUT LOGO)				X	
08	353293-002	ARM TOP COVER COMPLETE (WITH "SAMBA 6" LOGO)				X	
08	353294-001	ARM TOP COVER COMPLETE (WITHOUT LOGO)					X
08	353294-002	ARM TOP COVER COMPLETE (WITH "SAMBA 7" LOGO)					X
08	446444-001	ARM TOP COVER COMPLETE (WITHOUT LOGO)	X				
08	446444-003	ARM TOP COVER COMPLETE (WITH "SAMBA 2" LOGO)	X				
08	353370-001	ARM TOP COVER COMPLETE (WITHOUT LOGO)			X		
08	353370-003	ARM TOP COVER COMPLETE (WITH "SAMBA 4" LOGO)			X		
09	179883-451	ARM TOP COVER HANDLE INSERT (PLASTIC)	X	X	X	X	X
10	354895-453	ARM TOP COVER MOUNTING SCREW (RIGHT REAR & FRONT)	X	X	X	X	X
11	141808-452	ARM TOP COVER HINGE PIN BRACKET (RIGHT) RETAINING SCREW	X	X	X	X	X
12	113455-001	ARM TOP COVER MOUNTING BRACKET (RIGHT) MOUNTING SCREW	X	X	X	X	X
13	356178	ARM TOP COVER MOUNTING BRACKET (RIGHT)	X	X	X	X	X



PART LIST
COVERS & ADD-ONS (FOR METAL HANDLE MACHINE) (CONT.)

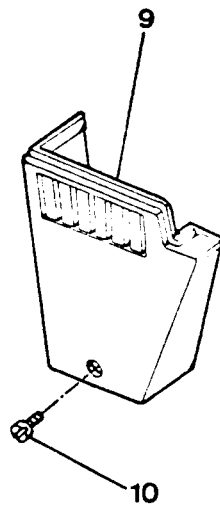
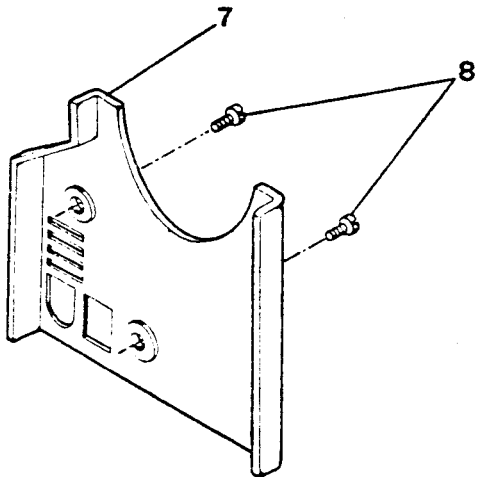
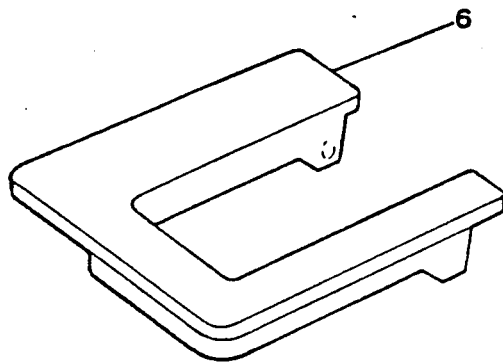
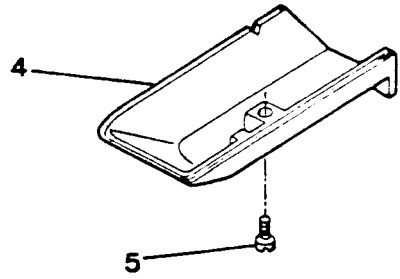
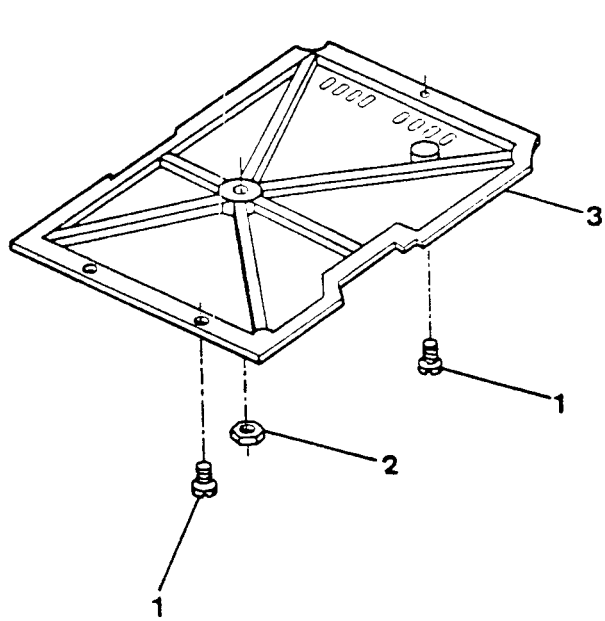
REF.	PART NBR	DESCRIPTION	6	6	6	6	6
			2	2	2	2	2
			1	1	1	1	1
			1	2	4	5	7
14	353553-451	ARM TOP COVER THREAD GUIDE	X	X	X	X	X
15	113342-451	ARM TOP COVER THREAD GUIDE SCREW	X	X	X	X	X
16	179967-451	ARM TOP COVER SPOOL PIN THREAD LEAD-OFF	X	X	X	X	X
17	44368	BOBBIN WINDER TENSION COMPLETE	X	X	X	X	X
18	141936-833	BOBBIN WINDER TENSION ADJUSTING SCREW	X	X	X	X	X
19	44794	BOBBIN WINDER TENSION ADJUSTING SCREW RETAINING CLIP	X	X	X	X	X
20	44371	BOBBIN WINDER LEVER RETAINING RING	X	X	X	X	X
21	113458-001	BOBBIN WINDER SPRING MOUNTING PLATE SCREW	X	X	X	X	X
22	446463	BOBBIN WINDER SPRING MOUNTING PLATE	X	X	X	X	X
23	446477	BOBBIN WINDER SPRING	X	X	X	X	X
24	446465	BOBBIN WINDER LEVER HINGE STUD	X	X	X	X	X
25	15287-701	BOBBIN WINDER FRICTION RING	X	X	X	X	X
26	446469-001	BOBBIN WINDER ASSEMBLY	X	X	X	X	X
27	141920-451	BOBBIN WINDER STOP SCREW	X	X	X	X	X
28	445924	BOBBIN WINDER STOP	X	X	X	X	X
29	53640-819	BOBBIN WINDER STOP SCREW NUT	X	X	X	X	X
30	353601	ARM TOP COVER HANDLE HINGE PIN BRACKET ASSEMBLY (RIGHT)	X	X	X	X	X



PART LIST
COVERS & ADD-ONS (FOR PLASTIC HANDLE MACHINES)

						6	6	6	6	6
						2	2	2	2	2
						1	1	1	1	1
REF.	PART NBR	DESCRIPTION				1	2	4	5	7

01	531960-460	ARM TOP COVER COMPLETE (W/O LOGO)	X							
01	531960-461	ARM TOP COVER COMPLETE (SAMBA 2)	X							
01	531962-464	ARM TOP COVER COMPLETE (W/O LOGO)					X			
01	531962-465	ARM TOP COVER COMPLETE (SAMBA 4)					X			
01	356551-454	ARM TOP COVER COMPLETE (W/O LOGO)						X		
01	356551-455	ARM TOP COVER COMPLETE (SAMBA 5)						X		
01	356555-456	ARM TOP COVER COMPLETE (W/O LOGO)							X	
01	356555-457	ARM TOP COVER COMPLETE (SAMBA 6)							X	
01	356574-460	ARM TOP COVER COMPLETE (W/O LOGO)								X
01	356574-462	ARM TOP COVER COMPLETE (SAMBA 7)								X
02	354895-453	ARM TOP COVER SCREW	X	X	X	X	X	X	X	X
03	354895-453	ARM TOP COVER MOUNTING SCREW (RIGHT REAR & FRONT)	X	X	X	X	X	X	X	X
04	141920-453	BOBBIN WINDER STOP SCREW	X	X	X	X	X	X	X	X
05	445924	BOBBIN WINDER STOP	X	X	X	X	X	X	X	X
06	53640-819	BOBBIN WINDER STOP SCREW NUT	X	X	X	X	X	X	X	X
07	356258	BOBBIN WINDER TENSION COMPLETE	X	X	X	X	X	X	X	X
08	445444-900	CONTROL PANEL THREAD GUIDE	X	X	X	X	X	X	X	X
09	313563-455	ARM TOP COVER THREAD GUIDE	X	X	X	X	X	X	X	X
10	354826-451	ARM TOP COVER MOUNTING BRACKET SCREW	X	X	X	X	X	X	X	X
11	179967-461	ARM TOP COVER SPOOL PIN THREAD LEAD-OFF	X	X	X	X	X	X	X	X
12	531765	ARM TOP COVER MOUNTING BRACKET (LEFT)	X	X	X	X	X	X	X	X
13	531767-452	BOBBIN WINDER ASSEMBLY	X	X	X	X	X	X	X	X
14	356913	BOBBIN WINDER SPINDLE COMPLETE	X	X	X	X	X	X	X	X
15	113455-001	ARM TOP COVER MOUNTING BRACKET (RIGHT)	X	X	X	X	X	X	X	X
16	531770-452	BOBBIN WINDER FRAME	X	X	X	X	X	X	X	X
17	44440-000	BOBBIN WINDER PULLEY	X	X	X	X	X	X	X	X
18	15287-701	BOBBIN WINDER FRICTION RING	X	X	X	X	X	X	X	X
19	445486	BOBBIN WINDER RETAINING RING	X	X	X	X	X	X	X	X
20	531766	BOBBIN WINDER HINGE STUD SPRING	X	X	X	X	X	X	X	X
21	356973-453	ARM TOP COVER HANDLE	X	X	X	X	X	X	X	X
22	354810-451	ARM TOP COVER THREAD GUIDE SCREW	X	X	X	X	X	X	X	X
23	356178	ARM TOP COVER MOUNTING BRACKET SCREW	X	X	X	X	X	X	X	X
24	531767	ARM TOP COVER MACHINE HANDLE WASHER	X	X	X	X	X	X	X	X
25	356786	ARM TOP COVER MACHINE HANDLE HINGE BRACKET	X	X	X	X	X	X	X	X
26	356788	ARM TOP COVER MACHINE HANDLE NUT PLATE	X	X	X	X	X	X	X	X
27	356161-451	ARM TOP COVER MACHINE HANDLE BRACKET SCREW	X	X	X	X	X	X	X	X



PART LIST
COVERS & ADD-ONS (CONT.)

REF.	PART NBR	DESCRIPTION	6	6	6	6	6
			2	2	2	2	2
			1	1	1	1	1
			1	2	4	5	7
01	113455-001	BED (BOTTOM) COVER FASTENING SCREW	X	X	X	X	X
02	514608	BED (BOTTOM) COVER FASTENING SCREW NUT	X	X	X	X	X
03	353587-453	BED (BOTTOM) COVER (PLASTIC)	X	X	X	X	X
04	446493-453	BED (TUBULAR) BOTTOM COVER (PLASTIC)	X	X	X	X	X
05	354895-453	BED (TUBULAR) BOTTOM COVER FASTENING SCREW	X	X	X	X	X
06	446455-454	BED EXTENSION	X	X	X	X	X
07		REFER TO CHARTS ON FOLLOWING PAGES					
08	354637-453	ARM END COVER SCREW	X	X	X	X	X
09	353433-454	FACE PLATE ASSEMBLY (FOR U.K., AUSTRALIA, US SCHOOL & CONTINENTAL EUROPE)	X	X	X	X	X
09	446452-455	FACE PLATE COMPLETE	X	X	X	X	X
10	354133-453	FACE PLATE SCREW	X	X	X	X	X

ARM END COVER

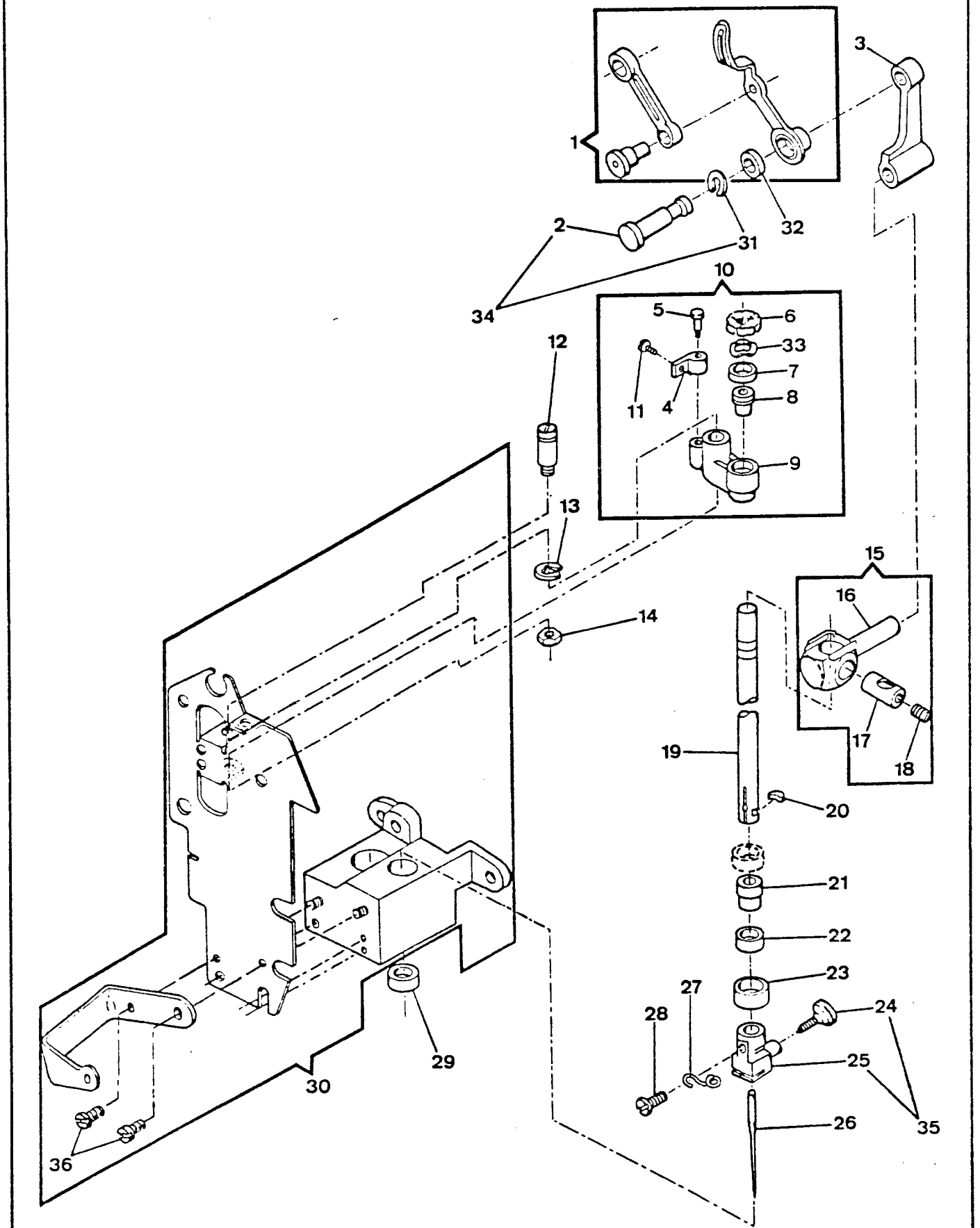
PART NBR	U.S.	EUR.	CAN.	UK	USA	NON-REG		
					CAN.	AUSTR.	EUROPE	

446450-001	X							6211
446450-002		X						6211
446450-003			X					6211
446450-004				X				6211
446450-005					X			6211
446450-006						X		6211
446450-007							X	6211
446450-008								X 6211
446450-009	X							6212
446450-010		X						6212
446450-011			X					6212
446450-012				X				6212
446450-013					X			6212
446450-014						X		6212
446450-015							X	6212
446450-016								X 6212
446450-017	X							6214
446450-018		X						6214
446450-019			X					6214
446450-020				X				6214
446450-021					X			6214
446450-022						X		6214
446450-023							X	6214
446450-024								X 6214
446450-025	X							6215
446450-026		X						6215
446450-027			X					6215
446450-028				X				6215
446450-029					X			6215
446450-030						X		6215
446450-031							X	6215
446450-032								X 6215
446450-033	X							6217
446450-034		X						6217
446450-035			X					6217
446450-036				X				6217
446450-037					X			6217
446450-038						X		6217
446450-039							X	6217
446450-040								X 6217
446450-089					X			DX2C

ARM END COVER

PART NBR	INT.	INT.	INT.	INT.	JAPAN	MIDDLE	MIDDLE	
	GROUP	GROUP	GROUP	GROUP		EAST	EAST	
	110V	220V	110V	220V		110V	220V	
446450-041	X							6217
446450-042		X						6217
446450-043			X					6217
446450-044				X				6217
446450-045	X							6211
446450-046		X						6211
446450-047			X					6211
446450-048				X				6211
446450-049	X							6212
446450-050		X						6212
446450-051			X					6212
446450-052				X				6212
446450-053	X							6214
446450-054		X						6214
446450-055			X					6214
446450-056				X				6214
446450-057	X							6215
446450-058		X						6215
446450-059			X					6215
446450-060				X				6215
446450-061					X			6211
446450-062					X			6212
446450-063					X			6214
446450-064					X			6215
446450-065					X			6217
446450-066						X		6211
446450-067							X	6211
446450-068						X		6212
446450-069							X	6212
446450-070						X		6214
446450-071							X	6214
446450-072						X		6215
446450-073							X	6215
446450-074						X		6217
446450-075							X	6217

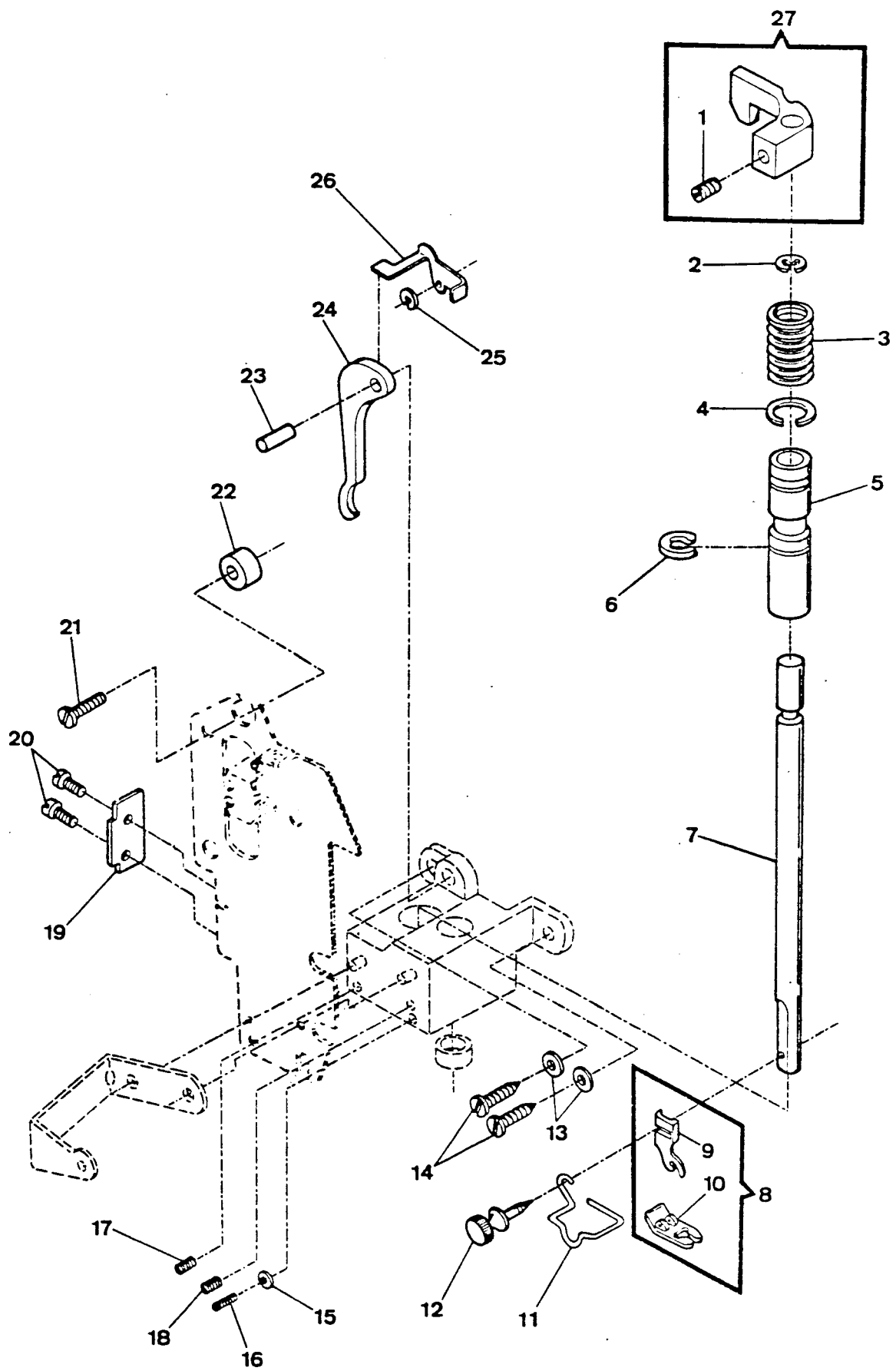
NEEDLE BAR, PRESSER BAR & TAKE-UP



PART LIST
NEEDLE BAR, PRESSER BAR & TAKE-UP

REF.	PART NBR	DESCRIPTION	6	6	6	6	6
			2	2	2	2	2
			1	1	1	1	1
			1	2	4	5	7
01	445672	THREAD TAKE-UP LEVER COMPLETE	X	X	X	X	X
02	446260	THREAD TAKE-UP STUD	X	X	X	X	X
03	446357	NEEDLE BAR CONNECTING LINK	X	X	X	X	X
04	446190	NEEDLE BAR DRIVING ARM HINGE BRACKET	X	X	X	X	X
05	37935	NEEDLE BAR DRIVING ARM HINGE BRACKET HINGE PIN	X	X	X	X	X
06	353522	NEEDLE BAR BALL BUSHING (UPPER) RETAINING RING	X	X	X	X	X
07	507379	NEEDLE BAR BALL BUSHING (UPPER) SOCKET (LOWER)	X	X	X	X	X
08	446355-001	NEEDLE BAR BALL BUSHING (UPPER)	X	X	X	X	X
09	353521	NEEDLE BAR VIBRATING BRACKET	X	X	X	X	X
10	353520	NEEDLE BAR VIBRATING BRACKET COMPLETE	X	X	X	X	X
11	141844-451	NEEDLE BAR DRIVING ARM HINGE BRACKET SCREW	X	X	X	X	X
12	446359	NEEDLE BAR VIBRATING BRACKET HINGE PIN	X	X	X	X	X
13	445721	NEEDLE BAR VIBRATING BRACKET HINGE PIN RETAINING RING	X	X	X	X	X
14	353402-451	NEEDLE BAR VIBRATING BRACKET HINGE PIN NUT	X	X	X	X	X
15	353549-940	NEEDLE BAR CONNECTING STUD WITH HINGE PIN	X	X	X	X	X
16	353549	NEEDLE BAR CONNECTING STUD	X	X	X	X	X
17	37931	NEEDLE BAR CONNECTING STUD HINGE PIN	X	X	X	X	X
18	141916-833	NEEDLE BAR CLAMPING SCREW	X	X	X	X	X
19	445793	NEEDLE BAR	X	X	X	X	X
20	37943	NEEDLE BAR GIB	X	X	X	X	X
21	446355-001	NEEDLE BAR BALL BUSHING (LOWER)	X	X	X	X	X
22	507379	NEEDLE BAR BALL BUSHING (LOWER) SOCKET	X	X	X	X	X
23	446361-001	NEEDLE BAR BALL BUSHING (LOWER) ADJUSTING COLLAR	X	X	X	X	X
24	355248-451	NEEDLE THUMB SCREW	X	X	X	X	X
25	353630	NEEDLE CLAMP BODY	X	X	X	X	X
26	204514-100	NEEDLE 2045 SIZE NBR 14	X	X	X	X	X
27	353629	NEEDLE CLAMP THREAD GUIDE (FOR JAPAN ONLY)	X	X	X	X	X
28	141808-451	NEEDLE CLAMP BODY, NEEDLE CLAMP THREAD GUIDE & NEEDLE STOP SCREW	X	X	X	X	X
29	44450	NEEDLE BAR BALL BUSHING (LOWER) SOCKET (UPPER)	X	X	X	X	X
30	356599	NEEDLE BAR, PRESSER BAR & VIBRATING BRACKET HOUSING ASSEMBLY	X	X	X	X	X
31	445486	THREAD TAKE-UP STUD RETAINING RING	X	X	X	X	X
32	543531	THREAD TAKE-UP STUD THRUST WASHER	X	X	X	X	X
33	353424	NEEDLE BAR BALL BUSHING (UPPER) WAVED WASHER	X	X	X	X	X
34	446261	THREAD TAKE-UP STUD WITH RETAINING RING	X	X	X	X	X
35	353631	NEEDLE CLAMP BODY WITH SCREW	X	X	X	X	X
36	113480-451	NEEDLE BAR, PRESSER BAR & VIBRATING BRACKET HOUSING PLATE MOUNTING SCREW	X	X	X	X	X

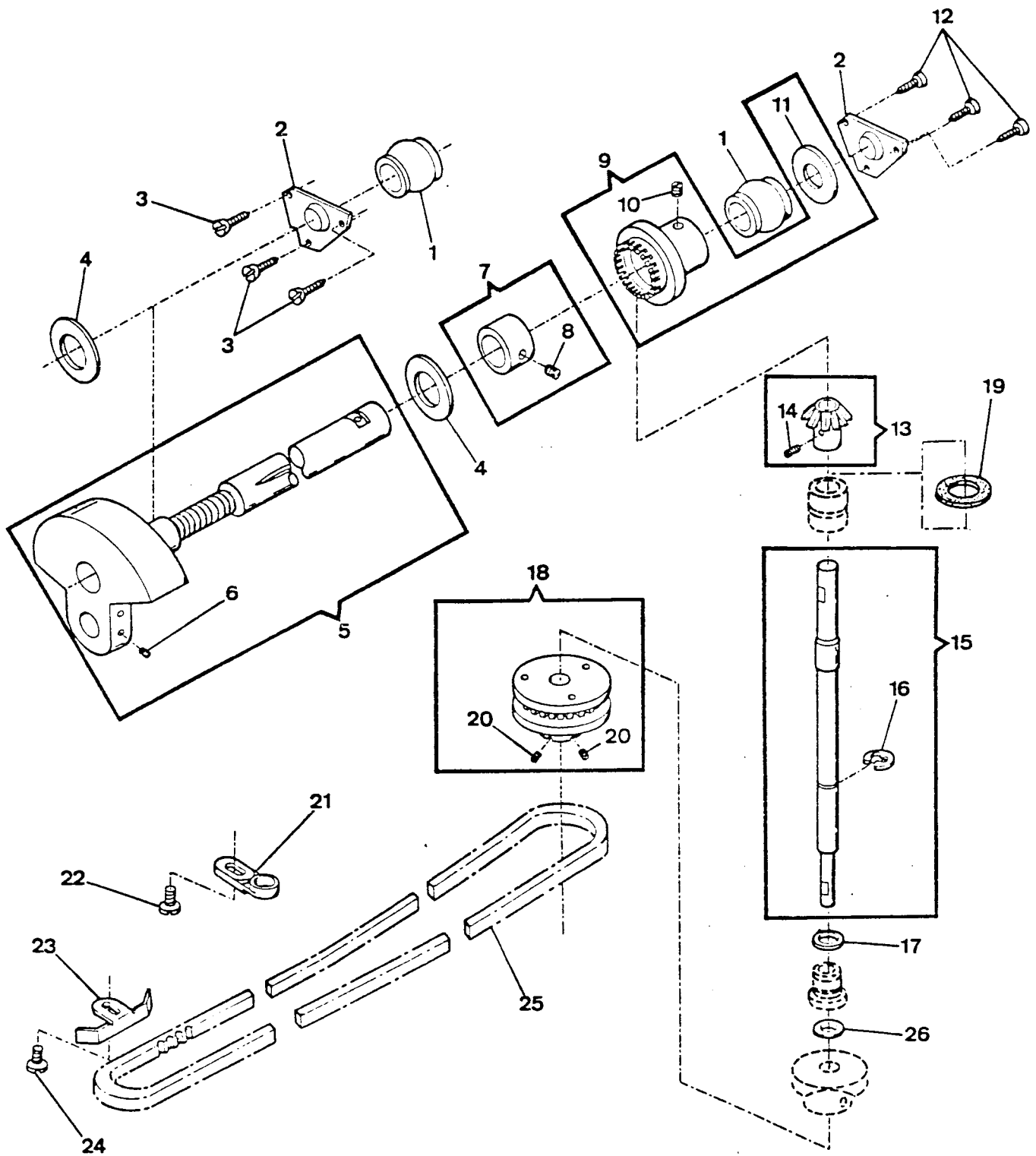
NEEDLE BAR, PRESSER BAR & TAKE-UP (CONT.)



PART LIST
NEEDLE BAR, PRESSER BAR & TAKE-UP (CONT.)

REF.	PART NBR	DESCRIPTION	6	6	6	6	6
			2	2	2	2	2
			1	1	1	1	1
			1	2	4	5	7
01	141925-833	PRESSER BAR GUIDE BRACKET SET SCREW	X	X	X	X	X
02	353215	PRESSER BAR SPRING RETAINING RING (UPPER)	X	X	X	X	X
03	353214	PRESSER BAR SPRING	X	X	X	X	X
04	353252	PRESSER BAR SPRING RETAINING RING	X	X	X	X	X
05	445947-001	PRESSER BAR BUSHING	X	X	X	X	X
06	353252	PRESSER BAR BUSHING LOCATING RING	X	X	X	X	X
07	314638	PRESSER BAR	X	X	X	X	X
08	446372	PRESSER FOOT (SNAP-ON) COMPLETE FOR ZIG-ZAG SEWING	X	X	X	X	X
09	155964	PRESSER FOOT SHANK (SNAP-ON)	X	X	X	X	X
10	446371	PRESSER FOOT PLATE (SNAP-ON) FOR ZIG-ZAG SEWING	X	X	X	X	X
11	116863	FINGER GUARD (EUROPE)	X	X	X	X	X
12	354135-452	PRESSER FOOT THUMB SCREW	X	X	X	X	X
13	353375-451	NEEDLE BAR, PRESSER BAR & VIBRATING BRACKET HOUSING MOUNTING SCREW (LOWER) WASHER	X	X	X	X	X
14	113434-451	NEEDLE BAR, PRESSER BAR & VIBRATING BRACKET HOUSING MOUNTING SCREW (LOWER)	X	X	X	X	X
15	54591-451	NEEDLE BAR OVER THROW SET SCREW NUT	X	X	X	X	X
16	354993-451	NEEDLE BAR OVER THROW SET SCREW	X	X	X	X	X
17	354906-451	PRESSER BAR BUSHING SET SCREW	X	X	X	X	X
18	141803-451	NEEDLE BAR BALL BUSHING (LOWER) ADJUSTING COLLAR SET SCREW	X	X	X	X	X
19	446353	PRESSER BAR GUIDE BRACKET POSITIONER	X	X	X	X	X
20	141913-451	PRESSER BAR GUIDE BRACKET POSITIONER SCREW	X	X	X	X	X
21	113455-009	NEEDLE BAR & PRESSER BAR VIBRATING BRACKET HOUSING MOUNTING SCREW (UPPER)	X	X	X	X	X
22	531627	NEEDLE BAR, PRESSER BAR & VIBRATING BRACKET HOUSING MOUNTING BUSHING	X	X	X	X	X
23	446354-451	PRESSER BAR LIFTER HINGE PIN	X	X	X	X	X
24	446356	PRESSER BAR LIFTER	X	X	X	X	X
25	445486	TENSION RELEASING LEVER RETAINING RING	X	X	X	X	X
26	445925	TENSION RELEASING LEVER	X	X	X	X	X
27	353212	PRESSER BAR GUIDE BRACKET ASSEMBLY	X	X	X	X	X

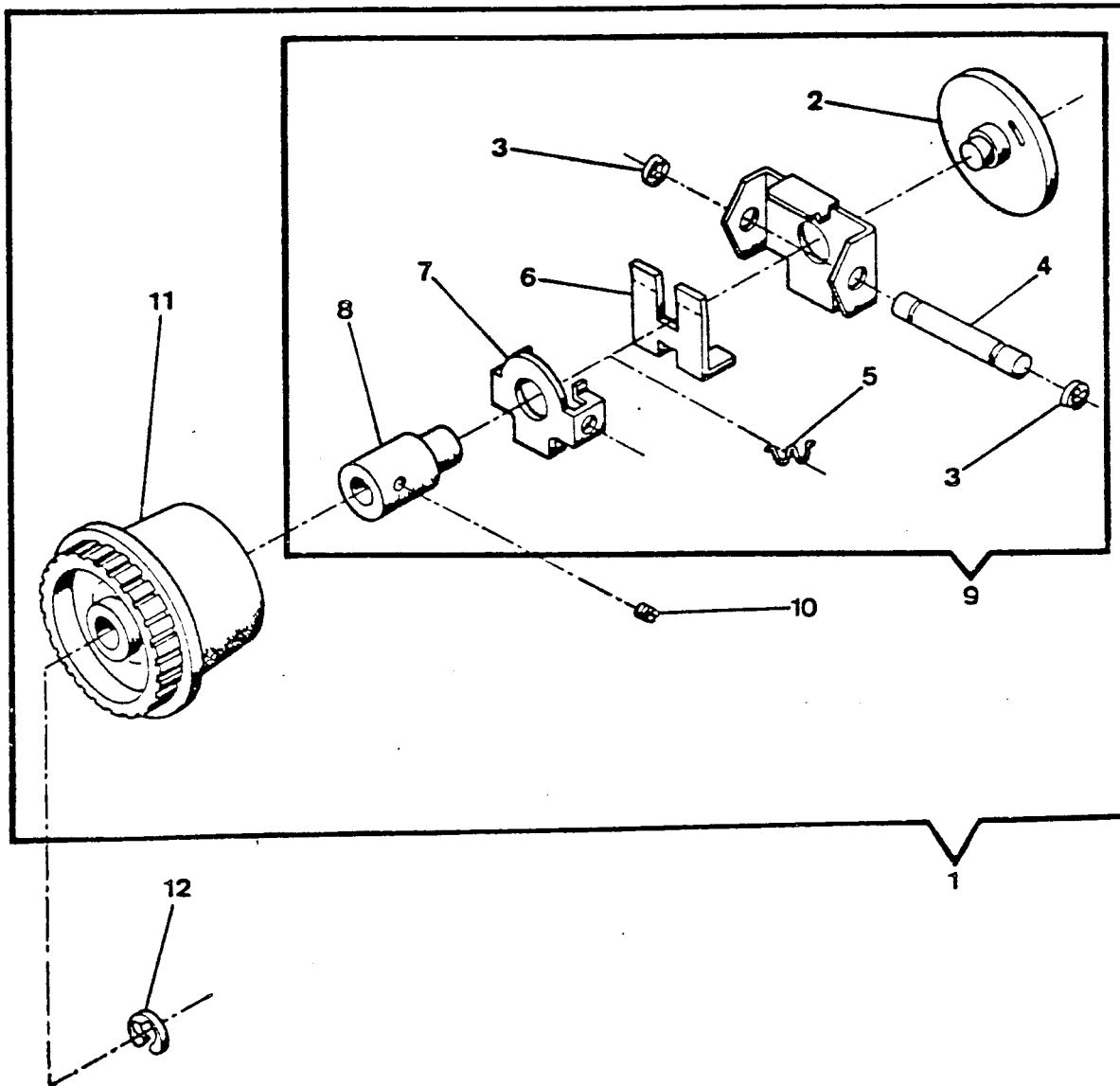
ARM SHAFT DRIVE



PART LIST
ARM SHAFT DRIVE

REF.	PART NBR	DESCRIPTION	6	6	6	6	6
			2	2	2	2	2
			1	1	1	1	1
			1	2	4	5	7
01	446384	ARM SHAFT BUSHING (FRONT)	X	X	X	X	X
02	446385	ARM SHAFT BUSHING (FRONT) RETAINING BRACKET	X	X	X	X	X
03	113455-001	ARM SHAFT BUSHING (FRONT) RETAINING BRACKET SCREW	X	X	X	X	X
04	319764	ARM SHAFT (HORIZONTAL) RETAINING COLLAR WASHER	X	X	X	X	X
05	531684	ARM SHAFT COMPLETE	X	X	X	X	X
06	354105-833	NEEDLE BAR CRANK POSITION SET SCREW	X	X	X	X	X
07	353580	ARM SHAFT (HORIZONTAL) RETAINING COLLAR	X	X	X	X	X
08	113500-451	ARM SHAFT (HORIZONTAL) RETAINING COLLAR SET SCREW	X	X	X	X	X
09	353272	ARM SHAFT (HORIZONTAL) BEVEL GEAR & FEED LIFTING (ECCENTRIC) COMPLETE	X	X	X	X	X
10	354813-451	ARM SHAFT (HORIZONTAL) BEVEL GEAR & FEED LIFTING ECCENTRIC SET SCREW	X	X	X	X	X
11	353413	ARM SHAFT (HORIZONTAL) BEVEL GEAR & FEED LIFTING ECCENTRIC WASHER (PLASTIC)	X	X	X	X	X
12	113455-001	ARM SHAFT BUSHING (REAR) RETAINING BRACKET SCREW	X	X	X	X	X
13	353273-002	ARM SHAFT (UPRIGHT) BEVEL GEAR (PLASTIC)	X	X	X	X	X
14	354105-833	ARM SHAFT (UPRIGHT) BEVEL GEAR SET SCREW	X	X	X	X	X
15	179952-002	ARM SHAFT (UPRIGHT) ASSEMBLY	X	X	X	X	X
16	353215	ARM SHAFT (UPRIGHT) RETAINING RING	X	X	X	X	X
17	353394	ARM SHAFT (UPRIGHT) RETAINING RING WASHER	X	X	X	X	X
18	353438-001	ARM SHAFT (UPRIGHT) BELT DRIVE PULLEY ASSEMBLY COMPLETE	X	X	X	X	X
19	356819	ARM SHAFT (UPRIGHT) FELT WASHER	X	X	X	X	X
20	354906-451	ARM SHAFT (UPRIGHT) BELT DRIVE PULLEY RETAINING COLLAR SET SCREW	X	X	X	X	X
21	531630	ROTATING HOOK DRIVE BELT TENSION ADJUSTER	X	X	X	X	X
22	113453-003	ROTATING HOOK DRIVE BELT TENSIONER SCREW	X	X	X	X	X
23	446376	BELT RETAINER (LEFT)	X	X	X	X	X
24	113455-001	BELT RETAINER (LEFT) SCREW	X	X	X	X	X
25	446237	BELT (ROTATING HOOK DRIVE)	X	X	X	X	X
26	319826	ARM SHAFT (UPRIGHT) BELT DRIVE PULLEY WASHER	X	X	X	X	X

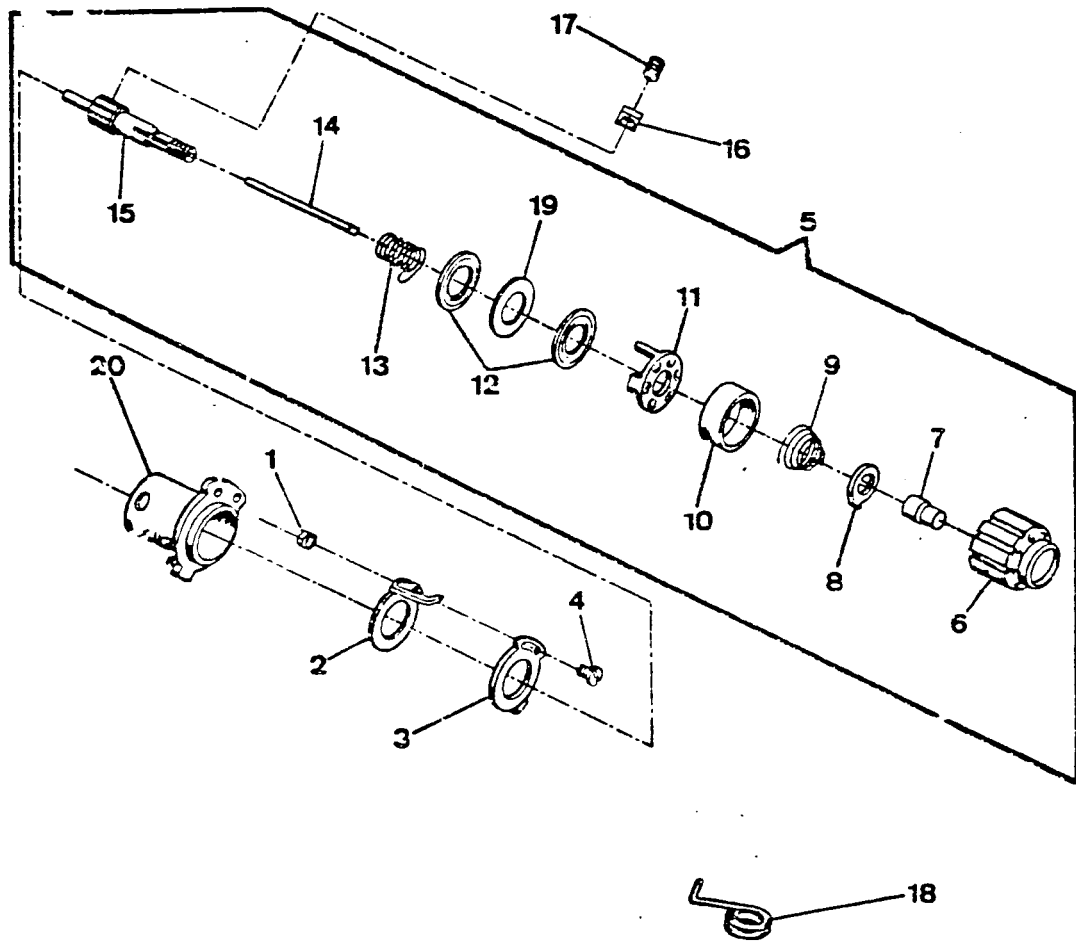
HAND WHEEL



PART LIST
HAND WHEEL

REF.	PART NBR	DESCRIPTION	6	6	6	6	6
			2	2	2	2	2
			1	1	1	1	1
			1	2	4	5	7
01	446391-454	HAND WHEEL (ELECTRIC) COMPLETE	X	X	X	X	X
02	446297-904	HAND WHEEL DISENGAGING CLUTCH ENGAGING PLATE COVER	X	X	X	X	X
03	445721	HAND WHEEL DISENGAGING CLUTCH ENGAGING PLATE HINGE PIN RETAINING RING	X	X	X	X	X
04	319560	HAND WHEEL DISENGAGING CLUTCH ENGAGING PLATE HINGE PIN	X	X	X	X	X
05	531628	HAND WHEEL DISENGAGING CLUTCH ACTUATING SPRING	X	X	X	X	X
06	319567	HAND WHEEL DISENGAGING CLUTCH BUSHING PLATE RETAINER	X	X	X	X	X
07	319566	HAND WHEEL DISENGAGING CLUTCH BUSHING PLATE	X	X	X	X	X
08	446390	HAND WHEEL DISENGAGING CLUTCH BUSHING	X	X	X	X	X
09	446343-453	HAND WHEEL DISENGAGING CLUTCH BUSHING COMPLETE	X	X	X	X	X
10	354813-451	HAND WHEEL DISENGAGING CLUTCH BUSHING SCREW	X	X	X	X	X
11	446386-454	HAND WHEEL (PLASTIC) (ELECTRIC)	X	X	X	X	X
12	446387	HAND WHEEL RETAINING RING (TREADLE/ELECTRIC)	X	X	X	X	X

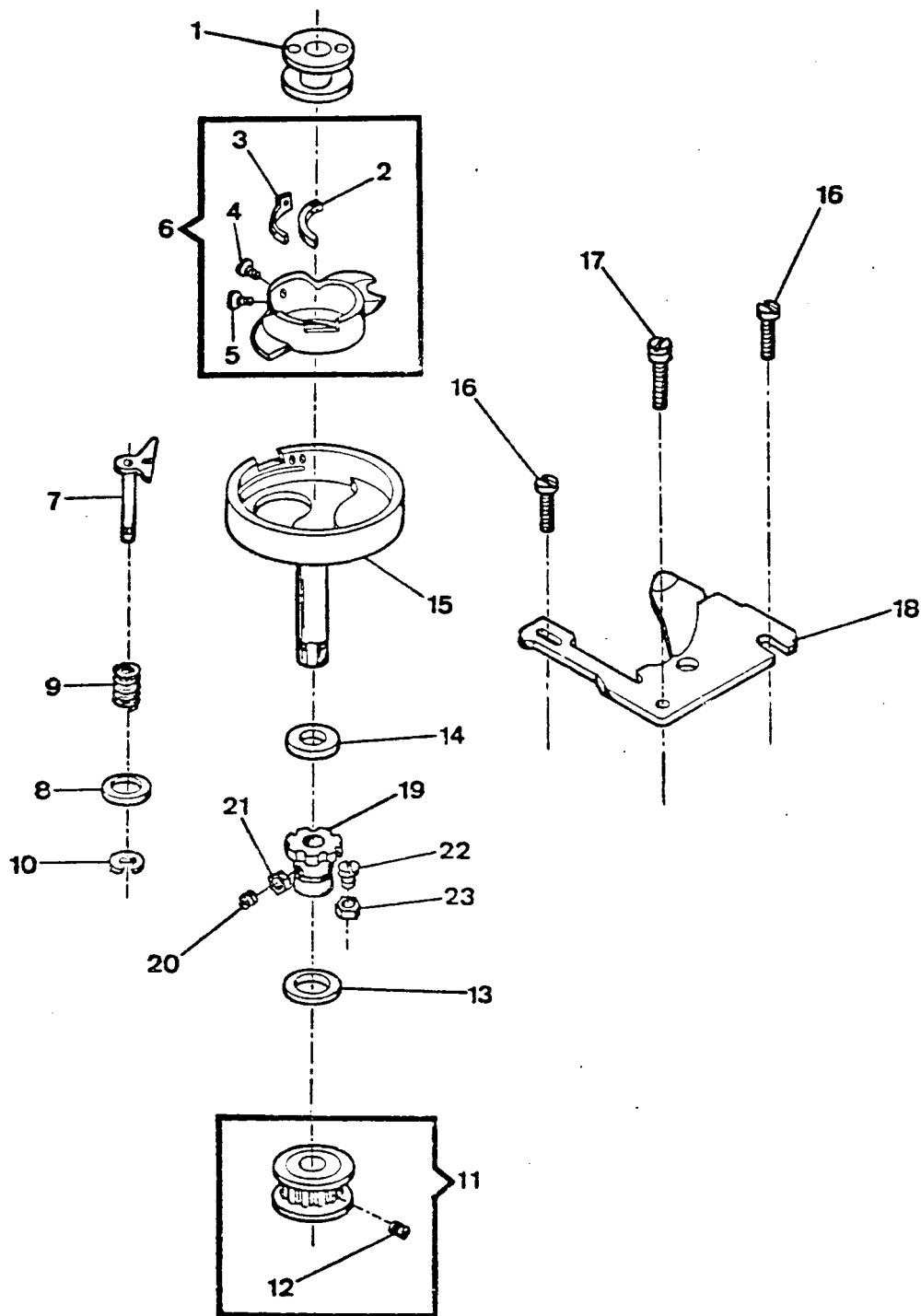
TENSION ASSEMBLY



PART LIST
TENSION ASSEMBLY

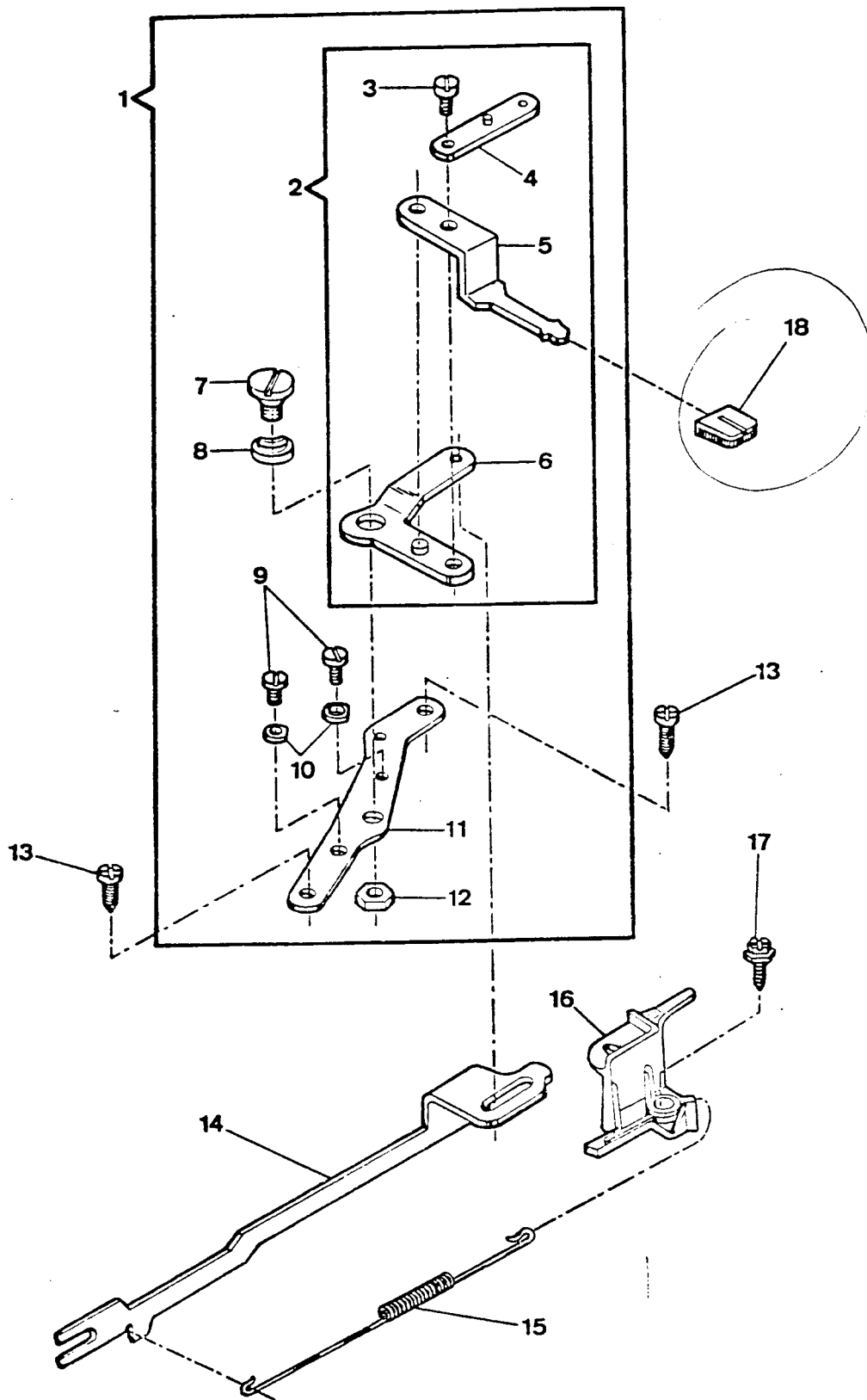
REF.	PART NBR	DESCRIPTION					
			6	6	6	6	6
			2	2	2	2	2
			1	1	1	1	1
			1	2	4	5	7
01	514698-451	SLACK THREAD REGULATOR & TENSION THREAD GUIDE SCREW NUT	X	X	X	X	X
02	446440	THREAD GUIDE (UPPER)	X	X	X	X	X
03	179936-454	SLACK THREAD REGULATOR & TENSION THREAD GUIDE	X	X	X	X	X
04	141808-451	SLACK THREAD REGULATOR & TENSION THREAD GUIDE SCREW	X	X	X	X	X
05	353583-456	TENSION MOUNTING BRACKET COMPLETE	X	X	X	X	X
06	445054-034	TENSION INDICATOR DIAL	X	X	X	X	X
07	446126	TENSION INDICATOR ADAPTER	X	X	X	X	X
08	37984	TENSION MOUNTING BRACKET	X	X	X	X	X
09	125314	TENSION SPRING	X	X	X	X	X
10	44879-482	TENSION SPRING CAP	X	X	X	X	X
11	45343	THREAD TAKE-UP SPRING THREAD GUARD	X	X	X	X	X
12	2102-001	TENSION DISC (SMALL)	X	X	X	X	X
13	66774-002	THREAD TAKE-UP SPRING	X	X	X	X	X
14	353578	TENSION RELEASING PIN	X	X	X	X	X
15	44454	TENSION STUD	X	X	X	X	X
16	353367-451	TENSION STUD SET SCREW NUT	X	X	X	X	X
17	141938-833	TENSION STUD SET SCREW	X	X	X	X	X
18	445784	TENSION GUIDE (LOWER)	X	X	X	X	X
19	44633	TENSION DISC (MIDDLE)	X	X	X	X	X
20	356226-453	BEEHIVE TENSION ADAPTOR	X	X	X	X	X

HOOK SYSTEM



PART LIST
HOOK SYSTEM

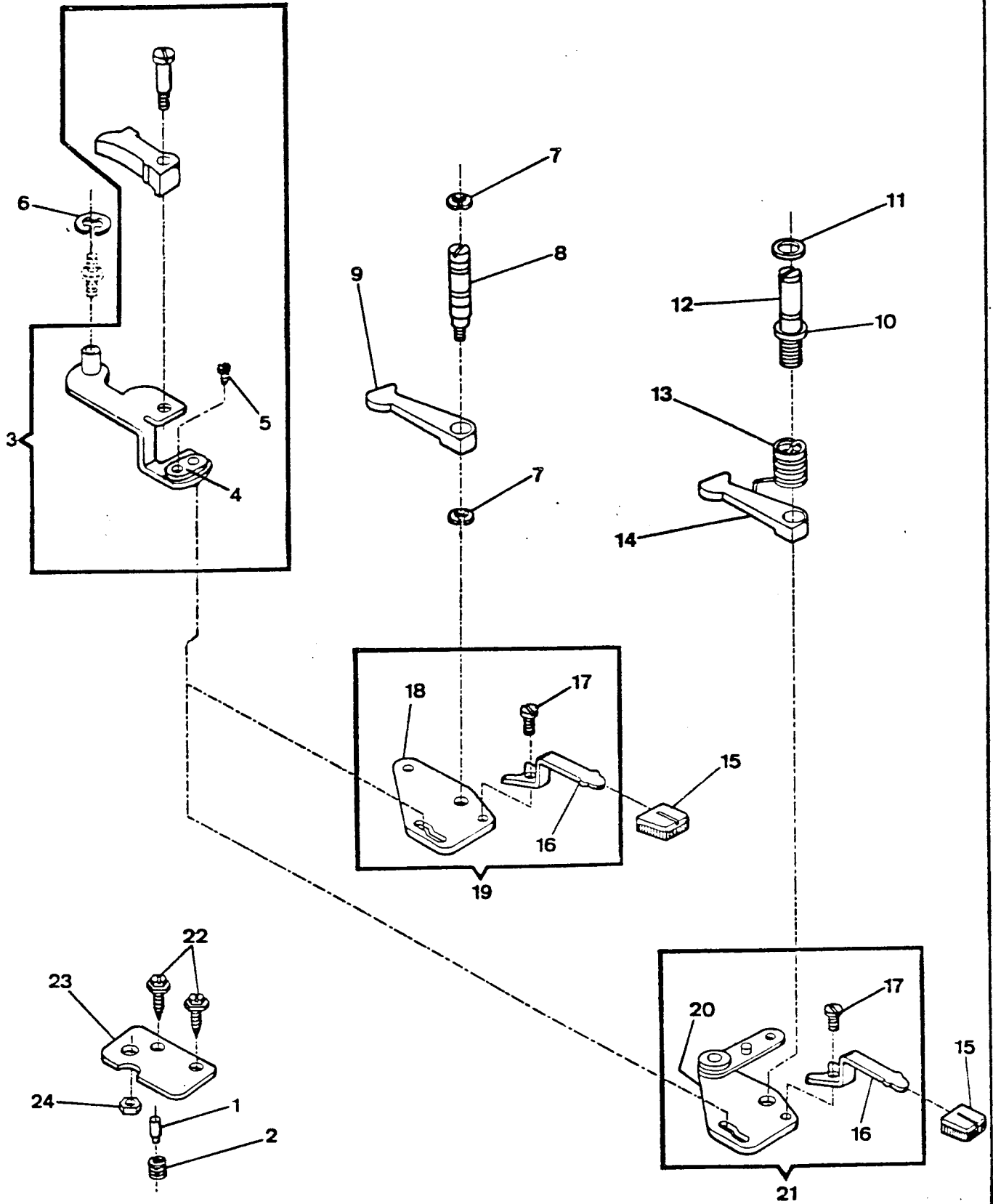
REF.	PART NBR	DESCRIPTION	6	6	6	6	6
			2	2	2	2	2
			1	1	1	1	1
			1	2	4	5	7
01	172336	ROTATING HOOK BOBBIN (PLASTIC)	X	X	X	X	X
02	356490-451	ROTATING HOOK BOBBIN CASE TENSION SPRING SEGMENT	X	X	X	X	X
03	314715	ROTATING HOOK BOBBIN CASE TENSION SPRING	X	X	X	X	X
04	354183-452	ROTATING HOOK BOBBIN CASE TENSION REGULATING SCREW	X	X	X	X	X
05	139975-452	ROTATING HOOK BOBBIN CASE TENSION SPRING SEGMENT SCREW	X	X	X	X	X
06	421325	ROTATING HOOK BOBBIN CASE	X	X	X	X	X
07	353511	ROTATING HOOK BOBBIN CASE RETAINING PLATE ASSEMBLY	X	X	X	X	X
08	445808	ROTATING HOOK BOBBIN CASE RETAINING PLATE STUD WASHER	X	X	X	X	X
09	44892	ROTATING HOOK BOBBIN CASE RETAINING PLATE STUD SPRING	X	X	X	X	X
10	353509	ROTATING HOOK BOBBIN CASE RETAINING PLATE RETAINING RING	X	X	X	X	X
11	446235	ROTATING HOOK BELT DRIVE PULLEY	X	X	X	X	X
12	141803-451	ROTATING HOOK BELT DRIVE PULLEY SCREW	X	X	X	X	X
13	382861-906	ROTATING HOOK BELT DRIVE PULLEY WASHER	X	X	X	X	X
14	353453	ROTATING HOOK WEAR WASHER	X	X	X	X	X
15	353366	ROTATING HOOK COMPLETE	X	X	X	X	X
15	SK-4366	ROTATING HOOK COMPLETE (FOR JAPAN)	X	X	X	X	X
16	113430-451	ROTATING HOOK BOBBIN CASE POSITION PLATE SCREW	X	X	X	X	X
17	113430-451	ROTATING HOOK BOBBIN CASE RETAINING PLATE (ADJUSTABLE & POSITION PLATE) SCREW	X	X	X	X	X
18	44873-001	ROTATING HOOK BOBBIN CASE POSITION PLATE	X	X	X	X	X
19	353410-900	ROTATING HOOK BUSHING	X	X	X	X	X
20	141938-833	ROTATING HOOK BUSHING SET SCREW	X	X	X	X	X
21	353367-451	ROTATING HOOK BUSHING SET SCREW NUT	X	X	X	X	X
22	141844-451	ROTATING HOOK BUSHING ADJUSTING SCREW	X	X	X	X	X
23	618638-005	ROTATING HOOK BUSHING ADJUSTING SCREW NUT	X	X	X	X	X



PART LIST
BIGHT AMPLITUDE

REF.	PART NBR	DESCRIPTION	6	6	6	6	6
			2	2	2	2	2
			1	1	1	1	1
			1	2	4	5	7
01	446396	BIGHT AMPLITUDE CONTROL LEVER MOUNTING BRACKET COMPLETE					
01	179893	BIGHT AMPLITUDE CONTROL LEVER MOUNTING BRACKET COMPLETE	X				
02	446395	BIGHT AMPLITUDE CONTROL LEVER SUB-ASSEMBLY	X	X	X	X	X
02	446342	BIGHT AMPLITUDE CONTROL LEVER SUB-ASSEMBLY		X	X	X	X
03	141913-451	BIGHT AMPLITUDE CONTROL LEVER SCREW	X				
03	139866-451	BIGHT AMPLITUDE CONTROL LEVER SCREW		X	X	X	X
04	44556	BUTTONHOLER BIGHT CONTROL CAM FOLLOWER LEVER LINK (LEFT)		X	X	X	X
05	446394	BIGHT AMPLITUDE CONTROL LEVER	X	X	X	X	X
06	37246	BIGHT AMPLITUDE CONTROL LEVER LINK	X	X	X	X	X
07	354825-451	BIGHT AMPLITUDE CONTROL LEVER LINK HINGE SCREW	X	X	X	X	X
08	49204	BIGHT AMPLITUDE CONTROL LEVER LINK HINGE SCREW FRICTION WASHER	X	X	X	X	X
09	141913-451	BIGHT AMPLITUDE CONTROL LEVER LINK STOP SCREW	X	X	X	X	X
10	446904	BIGHT AMPLITUDE CONTROL LEVER LINK STOP	X	X	X	X	X
11	531793	BIGHT AMPLITUDE CONTROL LEVER MOUNTING BRACKET	X	X	X	X	X
12	54591-451	BIGHT AMPLITUDE CONTROL LEVER LINK HINGE SCREW NUT	X	X	X	X	X
13	113455-001	BIGHT AMPLITUDE CONTROL LEVER MOUNTING BRACKET SCREW	X	X	X	X	X
14	37933-002	NEEDLE BAR DRIVING ARM	X	X	X	X	X
15	37942	NEEDLE BAR DRIVING ARM TENSION SPRING	X	X	X	X	X
16	445780	LIGHT LEAD SHIELD & NEEDLE BAR DRIVING ARM TENSION SPRING MOUNTING PLATE	X	X	X	X	X
17	113455-009	LIGHT LEAD SHIELD & NEEDLE BAR DRIVING ARM TENSION SPRING MOUNTING PLATE SCREW	X	X	X	X	X
18	356961-454	CONTROL LEVER KNOB (PLASTIC) (BLANK)	X	X	X	X	X
18	356961-456	CONTROL LEVER KNOB (PLASTIC) (GRAY)	X	X	X	X	X
18	356961-453	CONTROL LEVER KNOB (PLASTIC) (LIGHT BUFF)	X	X	X	X	X

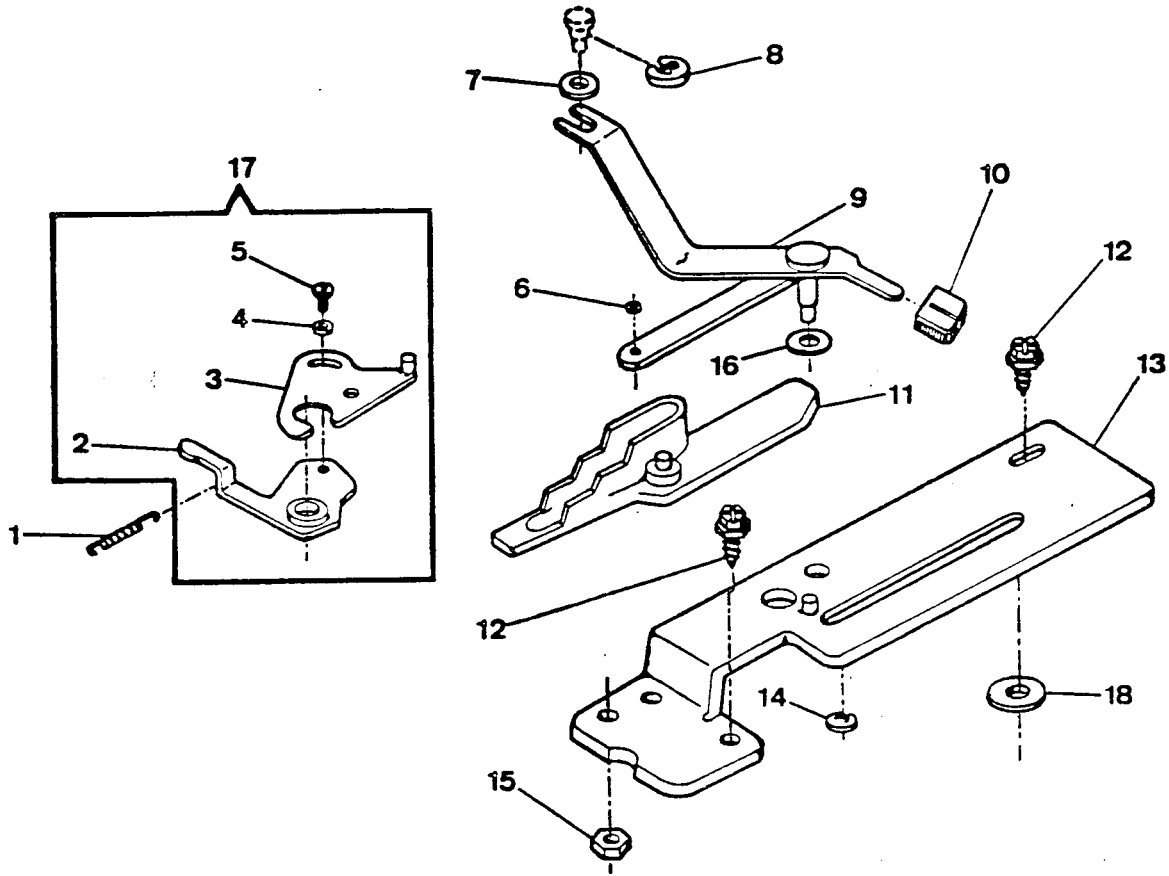
NEEDLE POSITION



PART LIST
NEEDLE POSITION

REF.	PART NBR	DESCRIPTION	6	6	6	6	6
			2	2	2	2	2
			1	1	1	1	1
			1	2	4	5	7
01	356228	NEEDLE POSITION SELECTOR LEVER BRACKET POSITIONING PIN	X	X	X	X	X
02	444800	NEEDLE POSITION SELECTOR LEVER BRACKET POSITIONING PIN SPRING	X	X	X	X	X
03	356636	NEEDLE BAR DRIVING ARM SLIDE BRACKET COMPLETE	X	X	X	X	X
04	531736	NEEDLE BAR DRIVING ARM SLIDE BRACKET ASSEMBLY	X	X	X	X	X
05	141913-451	NEEDLE POSITION LEVER BRACKET STUD ARM SET SCREW	X	X	X	X	X
06	445721	NEEDLE BAR DRIVING ARM SLIDE BRACKET RETAINING RING	X	X	X	X	X
07	44371	DISC FOLLOWER STUD RETAINING RING (UPPER & LOWER)	X				
08	446023	DISC FOLLOWER STUD	X				
09	445646	DISC FOLLOWER	X				
10	353585	DISC FOLLOWER STUD COLLAR		X	X	X	X
11	353548	DISC FOLLOWER STUD WASHER		X	X	X	X
12	353584	DISC FOLLOWER STUD		X	X	X	X
13	179897	DISC FOLLOWER SPRING		X	X	X	X
14	446404	DISC FOLLOWER		X	X	X	X
15	356961-454	NEEDLE POSITION SELECTOR LEVER KNOB (PLASTIC) (BLACK)	X	X	X	X	X
15	356961-456	NEEDLE POSITION SELECTOR LEVER KNOB (PLASTIC) (GRAY)	X	X	X	X	X
15	356961-453	NEEDLE POSITION SELECTOR LEVER KNOB (PLASTIC) (FOR DX2)	X				
16	446397	NEEDLE POSITION SELECTOR LEVER	X	X	X	X	X
17	141913-451	NEEDLE POSITION SELECTOR LEVER SCREW	X	X	X	X	X
18	353547	NEEDLE POSITION SELECTOR LEVER BRACKET	X				
19	446399	NEEDLE POSITION SELECTOR LEVER ASSEMBLY	X				
20	44628	NEEDLE POSITION SELECTOR LEVER BRACKET ASSEMBLY		X	X	X	X
21	446400	NEEDLE POSITION SELECTOR LEVER BRACKET COMPLETE		X	X	X	X
22	113455-001	NEEDLE POSITION SELECTOR LEVER MOUNTING PLATE SCREW	X	X	X	X	X
23	446401	NEEDLE POSITION SELECTOR LEVER MOUNTING PLATE	X	X	X	X	X
24	54591-451	DISC FOLLOWER STUD NUT	X	X	X	X	X

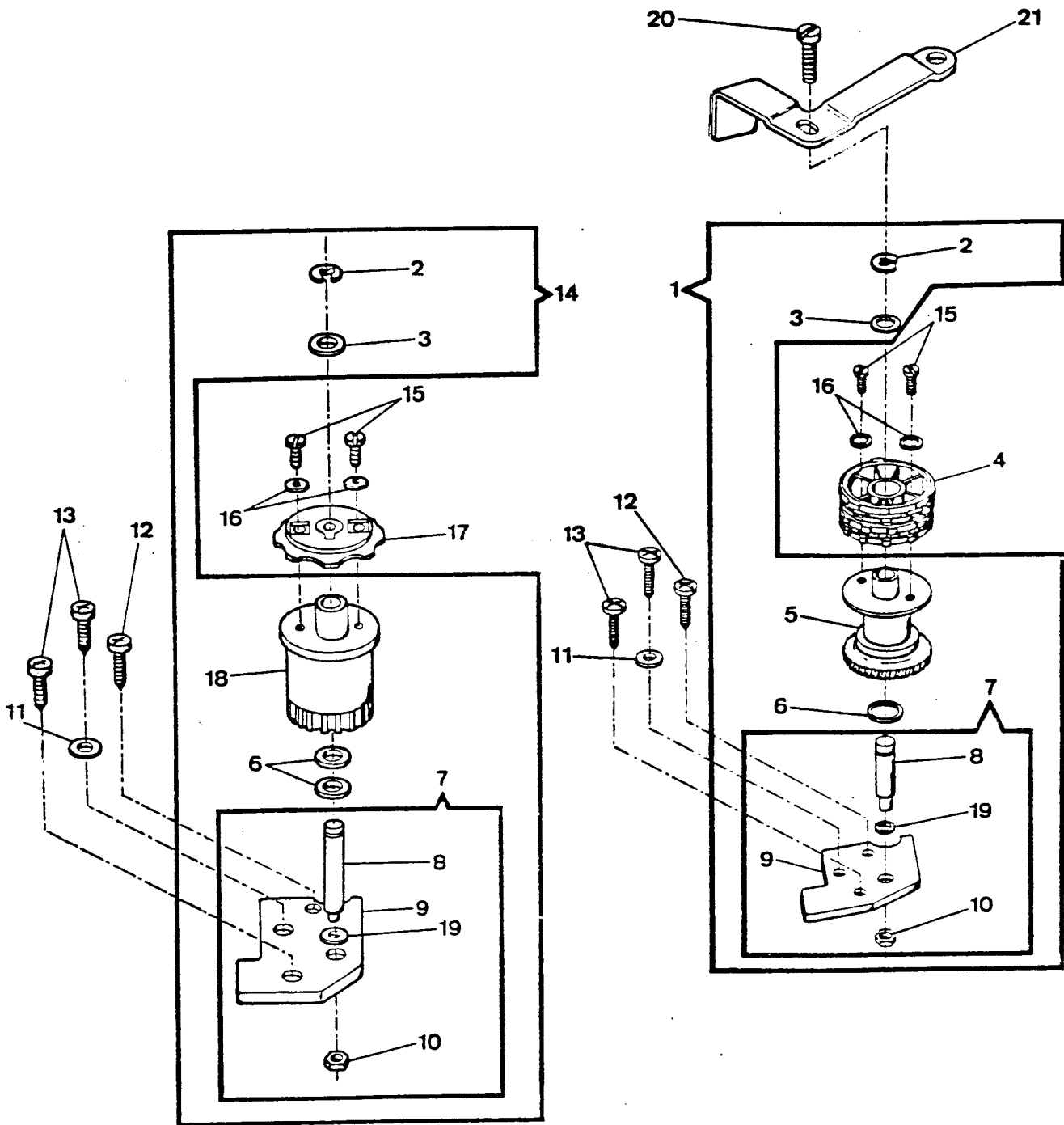
DISC SELECTION ASSEMBLY



PART LIST
DISC SELECTION ASSEMBLY

REF.	PART NBR	DESCRIPTION	6	6	6	6	6
			2	2	2	2	2
			1	1	1	1	1
			1	2	4	5	7
01	446415	DISC FOLLOWER DISENGAGING LEVER SPRING	X	X	X	X	X
02	446412	DISC FOLLOWER DISENGAGING LEVER	X	X	X	X	X
03	446411	DISC FOLLOWER DISENGAGING LEVER PLATE ASSEMBLY	X	X	X	X	X
04	445808	DISC FOLLOWER DISENGAGING LEVER PLATE ADJUSTING SCREW WASHER	X	X	X	X	X
05	141913-451	DISC FOLLOWER DISENGAGING LEVER PLATE ADJUSTING SCREW	X	X	X	X	X
06	446417	PATTERN SELECTOR CAM SLIDE CONNECTING LINK RETAINING RING	X	X	X	X	X
07	444923-454	PATTERN SELECTOR LEVER HINGE STUD WASHER	X	X	X	X	X
08	445486	PATTERN SELECTOR LEVER RETAINING RING	X	X	X	X	X
09	446383	PATTERN SELECTOR LEVER COMPLETE	X	X	X	X	X
10	356961-454	PATTERN SELECTOR LEVER KNOB (PLASTIC) (BLACK)	X	X	X	X	X
10	356961-456	PATTERN SELECTOR LEVER KNOB (PLASTIC) (GRAY)	X	X	X	X	X
11	353322	PATTERN SELECTOR CAM SLIDE		X			
11	353323	PATTERN SELECTOR CAM SLIDE				X	
11	446406	PATTERN SELECTOR CAM SLIDE	X				X
12	113455-001	PATTERN SELECTOR MOUNTING PLATE SCREW	X	X	X	X	X
13	446405	PATTERN SELECTOR MOUNTING PLATE COMPLETE	X	X	X	X	X
14	408030	PATTERN SELECTOR LEVER RETAINING RING	X	X	X	X	X
15	54591-451	DISC FOLLOWER STUD NUT	X	X	X	X	X
16	446138	PATTERN SELECTOR DRIVE STUD WASHER	X	X	X	X	X
17	446410	DISC FOLLOWER DISENGAGING LEVER PLATE COMPLETE	X	X	X	X	X
18	353488	PATTERN SELECTOR MOUNTING PLATE SPACER	X	X	X	X	X

CAM STACK

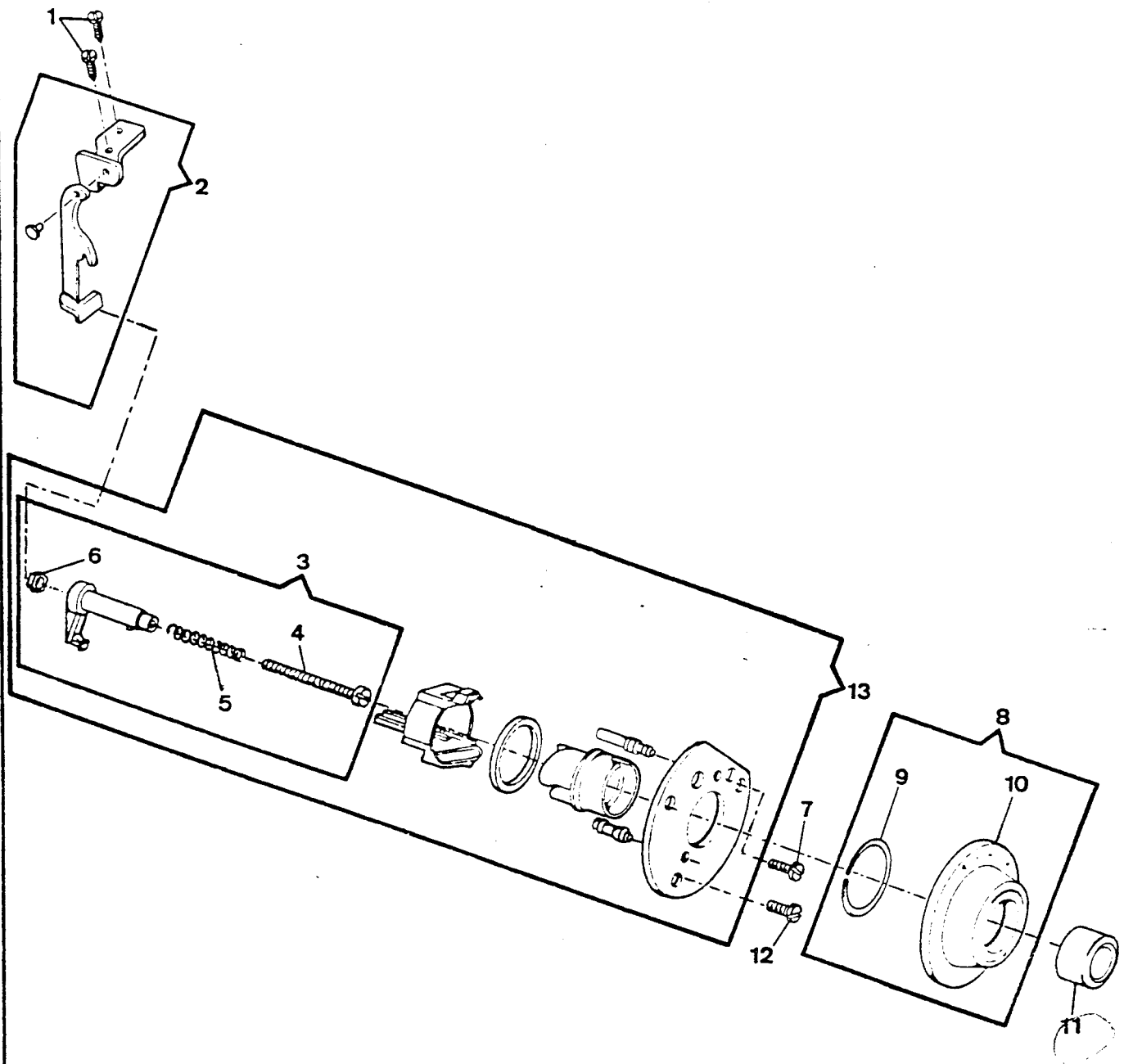


PART LIST
CAM STACK

6 6 6 6 6
2 2 2 2 2
1 1 1 1 1
1 2 4 5 7

REF.	PART NBR	DESCRIPTION	1	2	4	5	7
01	353288-931	DISC DRIVING GEAR COMPLETE			X	X	X
01	353288-930	DISC DRIVING GEAR COMPLETE		X			
02	444921	DISC DRIVING GEAR RETAINING RING	X	X	X	X	X
03	444923-453	DISC DRIVING GEAR SHAFT FRICTION WASHER	X	X	X	X	X
04	353287	DISC STACK (PLASTIC)		X	X	X	X
05	445754	DISC DRIVING GEAR ASSEMBLY		X	X	X	X
06	353424	DISC DRIVING GEAR SHAFT SPACER	X	X	X	X	X
07	446420	DISC DRIVING GEAR SHAFT MOUNTING PLATE ASSEMBLY	X	X			
07	446420-001	DISC DRIVING GEAR SHAFT MOUNTING PLATE ASSEMBLY			X	X	X
08	446418	DISC DRIVING GEAR SHAFT	X	X			
08	446418-001	DISC DRIVING GEAR SHAFT			X	X	X
09	353575	DISC DRIVING GEAR SHAFT MOUNTING PLATE	X	X	X	X	X
10	53648-451	DISC DRIVING GEAR SHAFT NUT	X	X	X	X	X
11	353375-451	DISC DRIVING GEAR SHAFT MOUNTING PLATE SCREW WASHER	X	X	X	X	X
12	113455-001	DISC DRIVING GEAR SHAFT MOUNTING PLATE SCREW	X	X	X	X	X
13	113435-451	DISC DRIVING GEAR SHAFT MOUNTING PLATE SCREW	X	X	X	X	X
14	446421-930	DISC DRIVING GEAR COMPLETE	X				
15	113375-451	DISC STACK POSITIONING SCREW	X				
15	141920-452	DISC STACK POSITIONING SCREW		X	X	X	X
16	446138	DISC STACK POSITIONING SCREW WASHER		X	X	X	X
17	445762	DISC STACK (PLASTIC)	X				
18	179958	DISC DRIVING GEAR	X				
19	353488	DISC DRIVING GEAR SHAFT WASHER	X	X	X	X	X
20	354654-451	DISC DRIVING GEAR (COMPLETE) SUPPORT BRACKET MOUNTING SCREW			X	X	X
21	353440-900	DISC DRIVING GEAR (COMPLETE)			X	X	X

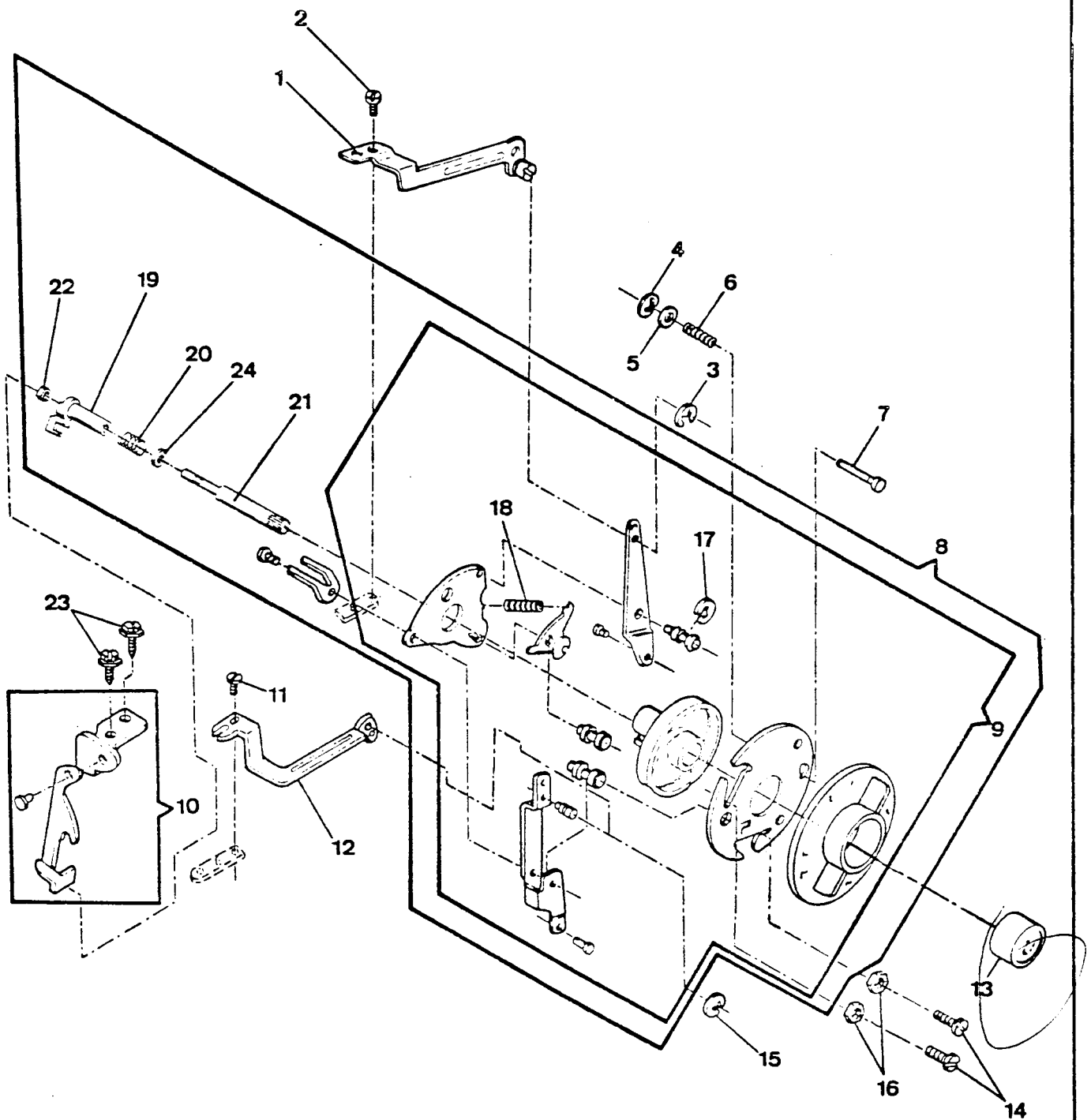
FEED REGULATOR CAM



PART LIST
FEED REGULATOR CAM

REF.	PART NBR	DESCRIPTION	6	6	6	6	6
			2	2	2	2	2
			1	1	1	1	1
			1	2	4	5	7
=====							
01	113455-001	FEED REGULATOR CONTROL ARM MOUNTING BRACKET SCREW					X
02	353304	FEED REGULATOR CONTROL ARM ASSEMBLY					X
03	356397	FEED REGULATOR CAM FOLLOWER					X
04	354975-451	FEED REGULATOR CAM FOLLOWER POSITIONING SCREW					X
05	44892	FEED REGULATOR CAM FOLLOWER POSITIONING SPRING					X
06	618638-005	FEED REGULATOR CAM FOLLOWER POSITIONING SPRING NUT					X
07	531806-451	FEED REGULATOR MOUNTING PLATE SCREW (RIGHT)					X
08	446428-455	FEED REGULATOR CONTROL DIAL ASSEMBLY					X
08	446428-456	FEED REGULATOR CONTROL DIAL ASSEMBLY (SPRINT DX2)					X
09	445461	FEED REGULATOR CONTROL DIAL RETAINING RING					X
10	446427-455	FEED REGULATOR CONTROL DIAL					X
10	446427-456	FEED REGULATOR CONTROL DIAL (SPRINT DX2)					X
11	179904-456	FEED REGULATOR POSITIONING PIN KNOB					X
12	531807-451	FEED REGULATOR MOUNTING PLATE SCREW (LEFT)					X
13	353478	FEED REGULATOR CAM COMPLETE					X

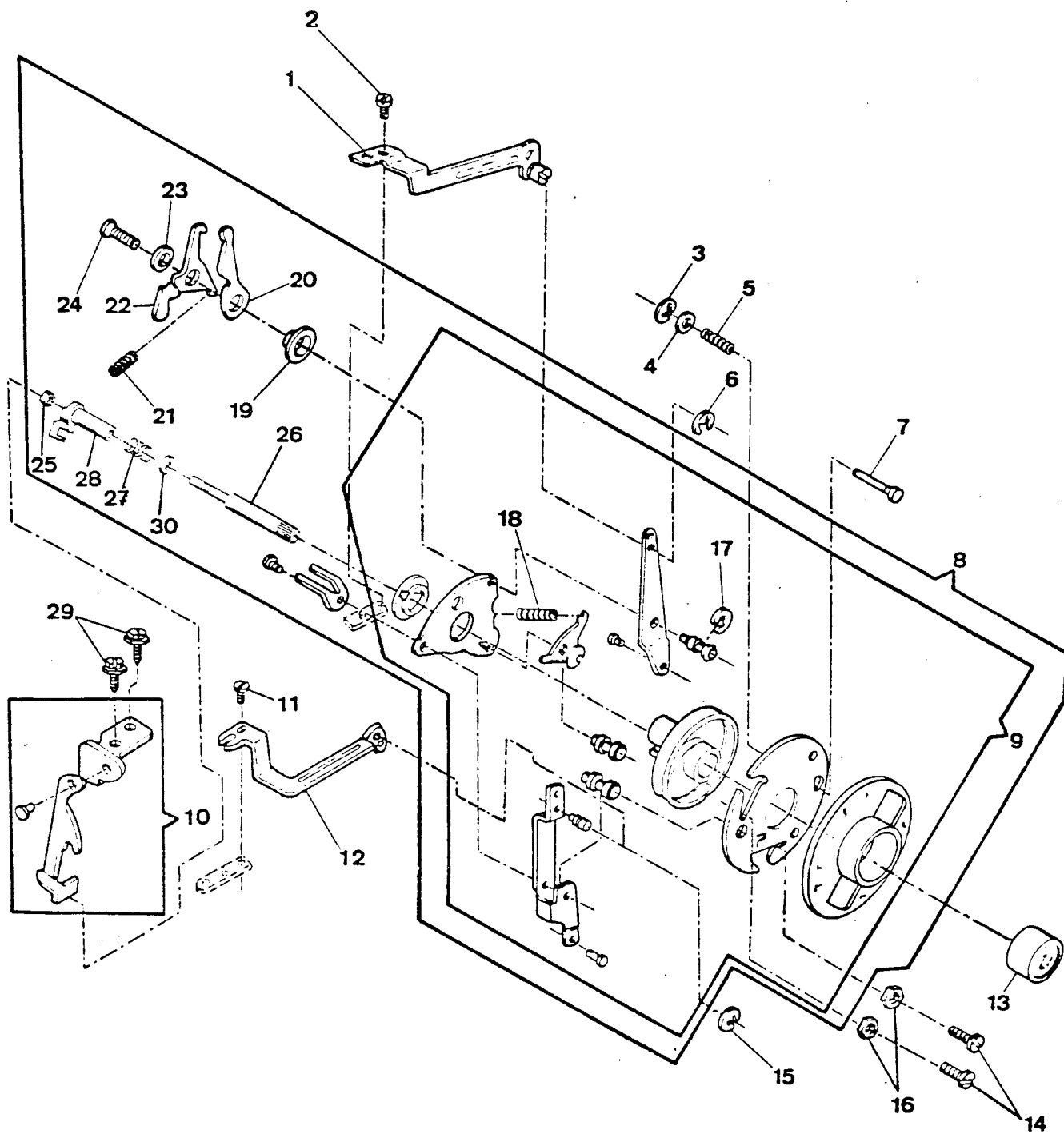
BUTTONHOLER & FEED REGULATOR CAM



PART LIST
BUTTONHOLER & FEED REGULATOR CAM

REF.	PART NBR	DESCRIPTION	6	6	6	6	6
			2	2	2	2	2
			1	1	1	1	1
			1	2	4	5	7
01	353536	BUTTONHOLER NEEDLE POSITION CAM FOLLOWER LEVER LINK (RIGHT)					X
02	141913-451	BUTTONHOLER NEEDLE POSITION CAM FOLLOWER LEVER LINK (LEFT & RIGHT) SCREW					X
03	445486	BUTTONHOLER NEEDLE POSITION CAM FOLLOWER LEVER LINK (RIGHT) RETAINING RING					X
04	408030	BUTTONHOLER & FEED REGULATOR MECHANISM MOUNTING PLATE STUD RETAINING RING					X
05	445808	BUTTONHOLER & FEED REGULATOR MECHANISM MOUNTING PLATE STUD SPRING WASHER					X
06	179949	BUTTONHOLER & FEED REGULATOR MECHANISM MOUNTING PLATE STUD SPRING					X
07	356230	BUTTONHOLER & FEED REGULATOR MECHANISM MOUNTING PLATE STUD					X
08	356795-459	BUTTONHOLER & FEED REGULATOR CAM COMPLETE					X
08	356795-460	BUTTONHOLER & FEED REGULATOR CAM COMPLETE (SPORT)					X
09	356796-459	BUTTONHOLER & FEED REGULATOR CAM ASSEMBLY					X
09	356796-460	BUTTONHOLER & FEED REGULATOR CAM ASSEMBLY (SPORT)					X
10	353304	FEED REGULATOR CONTROL ARM ASSEMBLY					X
11	141913-451	BUTTONHOLER BIGHT CONTROL ARM FOLLOWER LEVER LINK (LEFT & RIGHT) SCREW					X
12	353551	BUTTONHOLER BIGHT CONTROL ARM FOLLOWER LEVER LINK (RIGHT)					X
13	356654-465	FEED REGULATOR POSITIONING PIN KNOB					X
13	356654-466	FEED REGULATOR POSITIONING PIN KNOB (SPORT)					X
13	356654-472	FEED REGULATOR POSIT. PIN KNOB (LADY STAR)					X
13	356654-471	FEED REGULATOR POSITIONING PIN KNOB (JAPAN)					X
14	113513-451	BUTTONHOLER & FEED REGULATOR MECHANISM MOUNTING PLATE SCREW					X
15	445486	BUTTONHOLER BIGHT CONTROL CAM FOLLOWER LEVER LINK (RIGHT) RETAINING RING					X
16	353588-451	BUTTONHOLER & FEED REGULATOR MECHANISM MOUNTING PLATE SCREW NUT					X
17	353215	BUTTONHOLER NEEDLE POSITION CAM FOLLOWER LEVER RETAINING RING					X
18	353495	BUTTONHOLER & FEED REGULATOR CONTROL DIAL PAWL SPRING					X
19	356652	FEED REGULATOR POSITIONING PIN CARRIER					X
20	44892	FEED REGULATOR POSITIONING PIN FRICTION SPRING					X
21	356650	FEED REGULATOR POSITIONING PIN					X
22	618638-005	FEED REGULATOR POSITIONING PIN CARRIER INSERT NUT					X
23	113455-001	FEED REGULATOR CONTROL ARM MOUNTING BRACKET SCREW					X
24	356830-001	FEED REGULATOR POSITIONING PIN WASHER					X

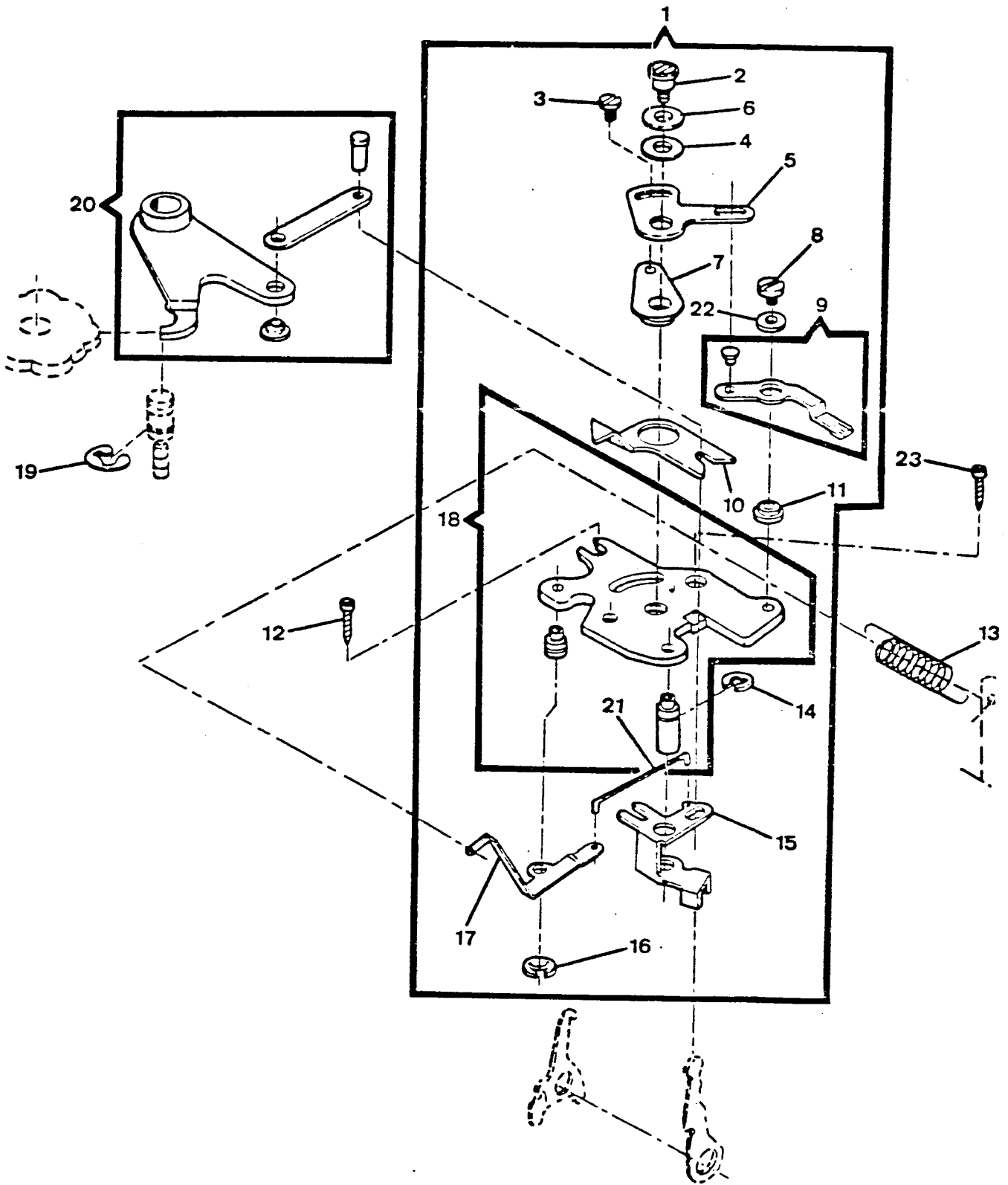
BUTTONHOLER & FEED REGULATOR CAM (CONT.)



PART LIST
 BUTTONHOLER & FEED REGULATOR CAM (CONT.)

REF.	PART NBR	DESCRIPTION	6	6	6	6	6
			2	2	2	2	2
			1	1	1	1	1
			1	2	4	5	7
01	353536	BUTTONHOLER NEEDLE POSITION CAM FOLLOWER LEVER LINK (RIGHT)				X	X X
02	141913-451	BUTTONHOLER NEEDLE POSITION CAM FOLLOWER LEVER LINK (LEFT & RIGHT) SCREW				X	X X
03	408030	BUTTONHOLER & FEED REGULATOR MECHANISM MOUNTING PLATE STUD RETAINING RING				X	X X
04	445808	BUTTONHOLER & FEED REGULATOR MECHANISM MOUNTING PLATE STUD SPRING WASHER				X	X X
05	179949	BUTTONHOLER & FEED REGULATOR MECHANISM MOUNTING PLATE STUD SPRING				X	X X
06	445486	BUTTONHOLER BIGHT CONTROL CAM FOLLOWER LEVER LINK (RIGHT) RETAINING RING				X	X X
07	356230	BUTTONHOLER & FEED REGULATOR MECHANISM MOUNTING PLATE STUD				X	X X
08	356790-465	BUTTONHOLER & FEED REGULATOR CAM COMPLETE				X	X X
09	356791-465	BUTTONHOLER & FEED REGULATOR CAM ASSEMBLY				X	X X
10	353304	FEED REGULATOR CONTROL ARM ASSEMBLY				X	X X
11	141913-451	BUTTONHOLER BIGHT CONTROL CAM FOLLOWER LEVER LINK (LEFT & RIGHT) SCREW				X	X X
12	353551	BUTTONHOLER BIGHT CONTROL CAM FOLLOWER LEVER LINK (RIGHT)				X	X X
13	356654-465	FEED REGULATOR POSITIONING PIN KNOB				X	X X
14	113513-451	BUTTONHOLER & FEED REGULATOR MECHANISM MOUNTING PLATE SCREW				X	X X
15	445486	BUTTONHOLER BIGHT CONTROL CAM FOLLOWER LEVER LINK (RIGHT) RETAINING RING				X	X X
16	353588-451	BUTTONHOLER & FEED REGULATOR MECHANISM MOUNTING PLATE SCREW NUT				X	X X
17	353215	BUTTONHOLER NEEDLE POSITION CAM FOLLOWER LEVER RETAINING RING				X	X X
18	353495	BUTTONHOLER & FD.REG.CONTROL DIAL PAWL SPRING				X	X X
19	353319	CAM CONTROL FEED ENGAGING CAM FOLLOWER & LEVER BUSHING				X	X X
20	353321	CAM CONTROL FEED ENGAGING CAM FOLLOWER LEVER				X	X X
21	353495	CAM CONTROL FEED ENGAGING CAM FOLLOWER & LEVER SPRING				X	X X
22	353320	CAM CONTROL FEED ENGAGING CAM FOLLOWER				X	X X
23	445539	CAM CONTROL FEED ENGAGING CAM FOLLOWER & LEVER WASHER				X	X X
24	113372-451	CAM CONTROL FEED ENGAGING CAM FOLLOWER & LEVER MOUNTING SCREW				X	X X
25	618638-005	FEED REGULATOR POSITIONING PIN CARRIER INSERT NUT				X	X X
26	356650	FEED REGULATOR POSITIONING PIN				X	X X
27	44892	FEED REG.POSITIONING PIN FRICTION SPRING SPRING				X	X X
28	356652	FEED REGULATOR POSITIONING PIN CARRIER				X	X X
29	113455-001	FEED REGULATOR CONTROL ARM MOUNTING BRACKET				X	X X
30	356830-001	FEED REGULATOR POSITIONING PIN WASHER				X	X X

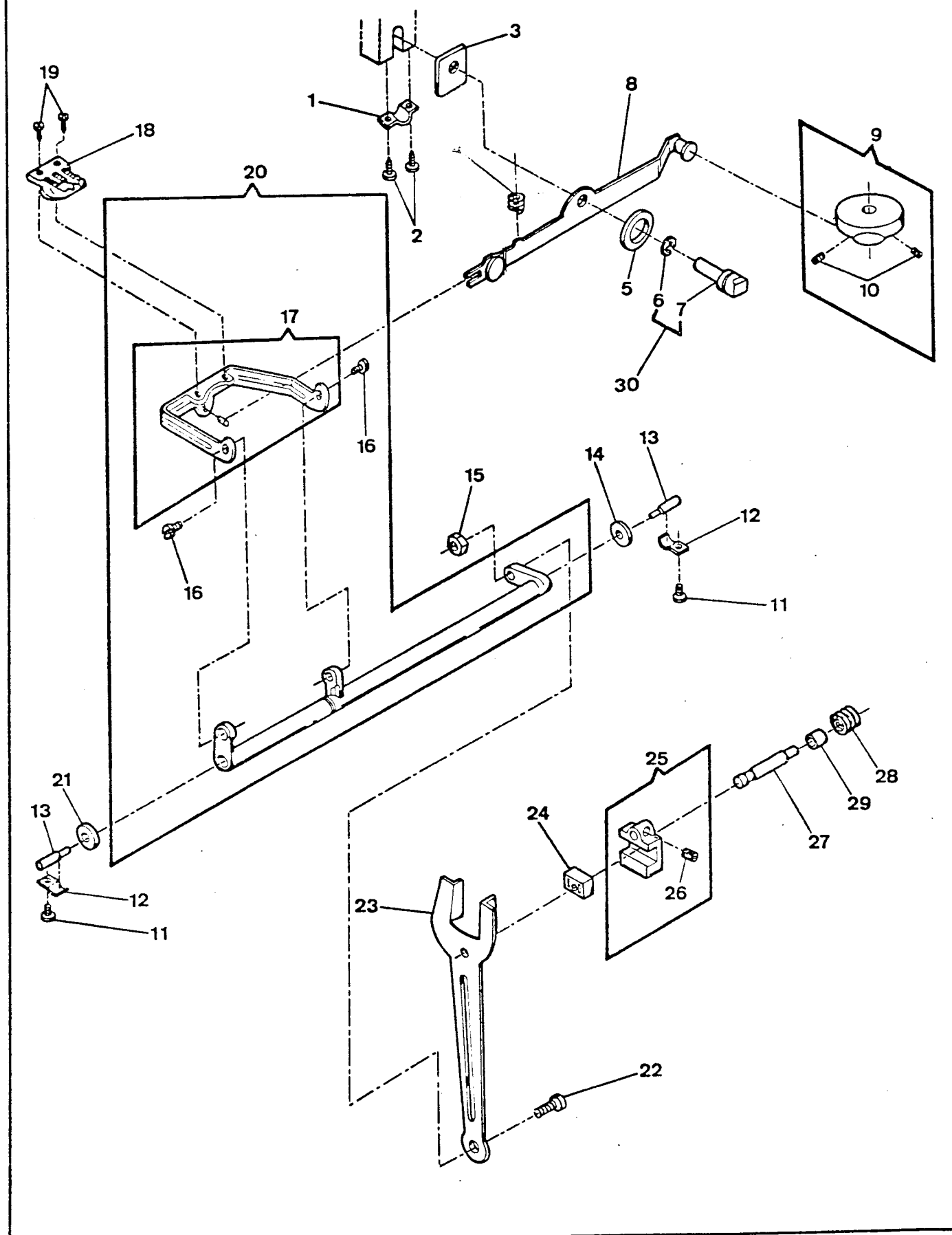
CAM CONTROLLED FEED



PART LIST
CAM CONTROLLED FEED

REF.	PART NBR	DESCRIPTION					
			6	6	6	6	6
			2	2	2	2	2
			1	1	1	1	1
			1	2	4	5	7
01	531749	CAM CONTROLLED FEED MOUNTING BRACKET COMPLETE			X	X	X
02	113423-451	CAM CONTROLLED FEED BALANCE ADJUSTING SPRING HINGE SCREW			X	X	X
03	141913-451	CAM CONTROLLED FEED BALANCE ADJUSTING SCREW			X	X	X
04	353492	CAM CONTROLLED FEED BALANCE ADJUSTING SPRING WASHER			X	X	X
05	531754	CAM CONTROLLED FEED BALANCE ADJUSTING SPRING			X	X	X
06	543531	CAM CONTROLLED FEED BALANCE ADJUSTING SCREW WASHER			X	X	X
07	353331	CAM CONTROLLED FEED DRIVING ARM ECCENTRIC			X	X	X
08	113424-451	CAM CONTROLLED FEED BALANCE ADJUSTING LEVER HINGE SCREW			X	X	X
09	531752-452	CAM CONTROLLED FEED BALANCE ADJUSTING LEVER ASSEMBLY			X	X	X
10	353330-001	CAM CONTROLLED FEED DRIVING ARM			X	X	X
11	353334	CAM CONTROLLED FEED BALANCE ADJUSTING LEVER MOUNTING BUSHING			X	X	X
12	355243-451	CAM CONTROLLED FEED MOUNTING BRACKET SCREW			X	X	X
13	356605	FEED REGULATOR CONTROL ARM BIAS LINK SPRING			X	X	X
14	445721	CAM CONTROLLED FEED ENGAGING CRANK RETAINING RING			X	X	X
15	353329	CAM CONTROLLED FEED ENGAGING CRANK			X	X	X
16	445486	CAM CONTROLLED FEED FOLLOWER & LINK RETAINING RING			X	X	X
17	356166	CAM CONTROLLED FEED ENGAGING CRANK LEVER			X	X	X
18	531750	CAM CONTROLLED FEED MOUNTING BRACKET ASSEMBLY			X	X	X
19	445486	CAM CONTROLLED FEED FOLLOWER & LINK RETAINING RING			X	X	X
20	353335	CAM CONTROLLED FEED FOLLOWER & LINK ASSEMBLY			X	X	X
21	353473	CAM CONTROLLED FEED ENGAGING CRANK LINK			X	X	X
22	179898-001	CAM CONTROLLED FEED BALANCE ADJUSTING LEVER WASHER			X	X	X
23	113455-003	CAM CONTROLLED FEED MOUNTING BRACKET SCREW (RIGHT)			X	X	X

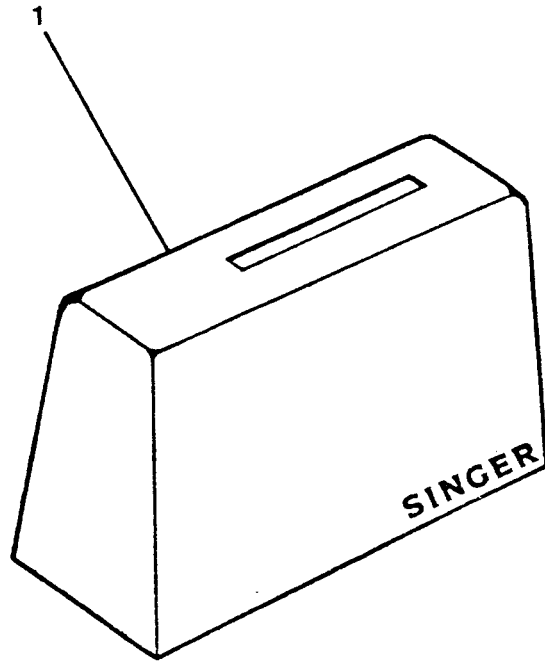
FEED SYSTEM



PART LIST
FEED SYSTEM

REF.	PART NBR	DESCRIPTION					
			6	6	6	6	6
			2	2	2	2	2
			1	1	1	1	1
			1	2	4	5	7
01	446485	FEED LIFTING LEVER HINGE STUD (ECCENTRIC) CLAMP	X	X	X	X	X
02	113455-001	FEED LIFTING LEVER HINGE STUD (ECCENTRIC) CLAMP SCREW	X	X	X	X	X
03	179955	FEED LIFTING LEVER HINGE STUD (ECCENTRIC) SPACER	X	X	X	X	X
04	446249	FEED LIFTING LEVER SPRING	X	X	X	X	X
05	353427	FEED LIFTING LEVER HINGE STUD (ECCENTRIC) SPACER	X	X	X	X	X
06	353428	FEED LIFTING LEVER HINGE STUD (ECCENTRIC) RETAINING PLATE	X	X	X	X	X
07	353448	FEED LIFTING LEVER HINGE STUD (ECCENTRIC)	X	X	X	X	X
08	356222	FEED LIFTING LEVER ASSEMBLY	X	X	X	X	X
09	446228	FEED LIFTING CAM	X	X	X	X	X
10	544118	FEED LIFTING CAM SCREW	X	X	X	X	X
11	113455-001	FEED ROCK SHAFT CENTER SUPPORTING BRACKET SCREW	X	X	X	X	X
12	446484	FEED ROCK SHAFT CENTER CLAMP (LEFT & RIGHT)	X	X	X	X	X
13	446487-001	FEED ROCK SHAFT CENTER	X	X	X	X	X
14	353397	FEED ROCK SHAFT CENTER (RIGHT) NOISE DAMPENING WASHER	X	X	X	X	X
15	53648-451	FEED FORKED CONNECTING SCREW STUD NUT	X	X	X	X	X
16	354939-451	FEED BAR HINGE SCREW	X	X	X	X	X
17	446205	FEED BAR ASSEMBLY	X	X	X	X	X
18	179891	FEED DOG	X	X	X	X	X
19	355235-451	FEED DOG SCREW	X	X	X	X	X
20	446216	FEED ROCK SHAFT COMPLETE	X	X	X	X	X
21	353397	FEED ROCK SHAFT CENTER (LEFT) NOISE DAMPENING WASHER	X	X	X	X	X
22	531623-451	FEED FORKED CONNECTING HINGE SCREW (ECCENTRIC)	X	X	X	X	X
23	531926	FEED FORKED CONNECTING	X	X	X	X	X
24	44437	FEED FORKED CONNECTING SLIDE BLOCK	X	X	X	X	X
25	446244	FEED REGULATOR ASSEMBLY	X	X	X	X	X
26	141925-833	FEED REGULATOR SET SCREW	X	X	X	X	X
27	446483	FEED REGULATOR HINGE STUD	X	X	X	X	X
28	179890	FEED REGULATOR RETURN SPRING	X	X	X	X	X
29	445768	FEED REGULATOR RETURN SPRING BUSHING (PLASTIC)	X	X	X	X	X
30	353479	FEED LIFTING LEVER HINGE STUD (ECCENTRIC) WITH RETAINING RING	X	X	X	X	X

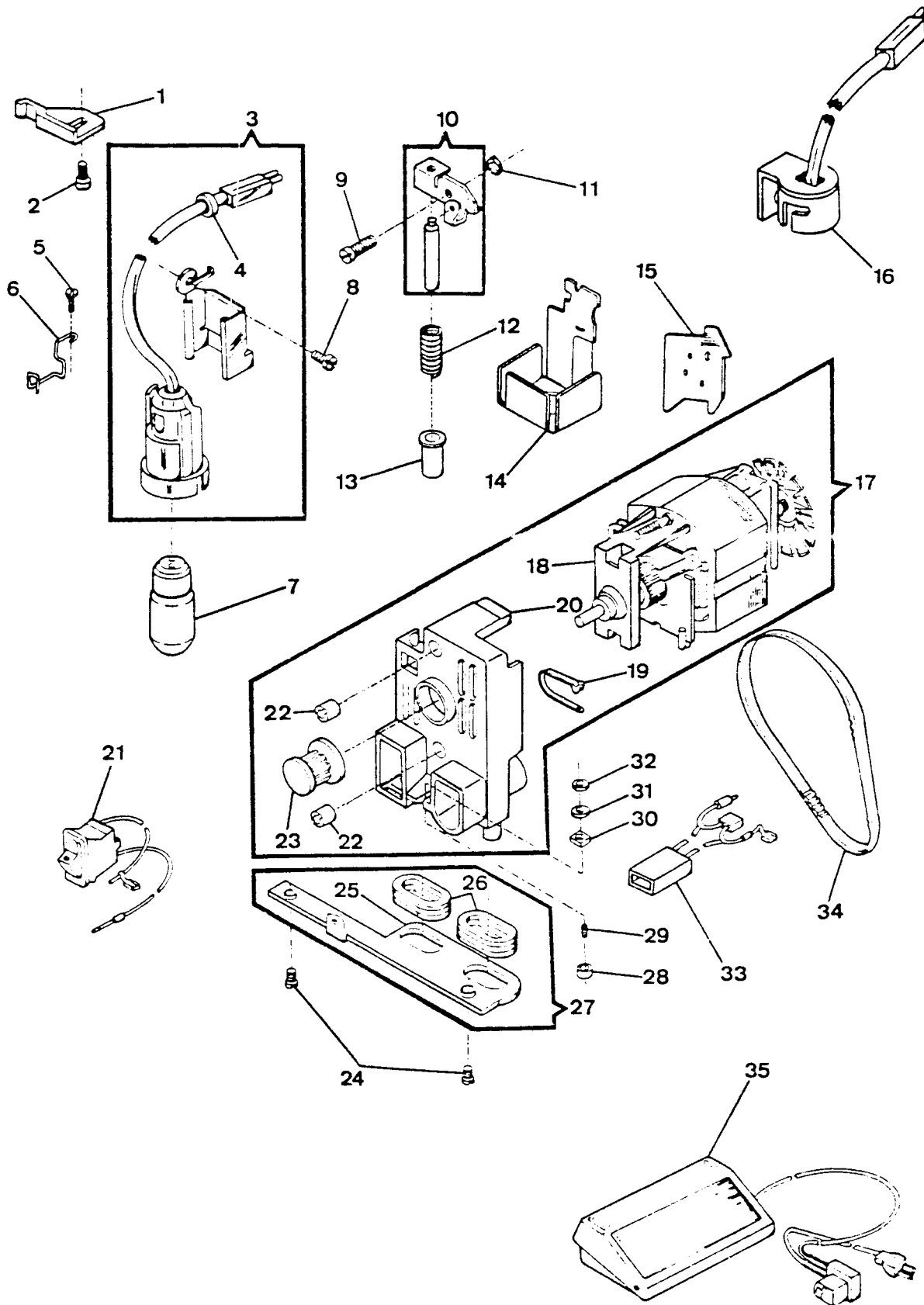
OPTIONS



PART LIST
OPTIONS

REF.	PART NBR	DESCRIPTION	6	6	6	6	6
			2	2	2	2	2
			1	1	1	1	1
			1	2	4	5	7
01	353491-451	SOFT VYNIL COVER (TUBULAR BED) (FOR METAL HANDLE)	X	X	X	X	X
01	531928-452	SOFT VYNIL COVER (TUBULAR BED) (FOR PLASTIC HANDLE)	X	X	X	X	X
02	116863	FINGER GUARD (OPTIONAL)	X	X	X	X	X

ELECTRICAL EQUIPMENT



PART LIST
ELECTRICAL EQUIPMENT

REF.	PART NBR	DESCRIPTION	6	6	6	6	6
			2	2	2	2	2
			1	1	1	1	1
			1	2	4	5	7
01	353411	LIGHT LEAD RETAINING CLIP	X	X	X	X	X
02	113504-451	LIGHT LEAD RETAINING CLIP MOUNTING SCREW	X	X	X	X	X
03		REFER TO CHARTS ON FOLLOWING PAGES					
04	179908	LIGHT LEAD GROMMET	X	X	X	X	X
05	113455-001	LIGHT LEAD WIRE RETAINER MOUNTING SCREW	X	X	X	X	X
06	353247	LIGHT LEAD WIRE RETAINER	X	X	X	X	X
07	988076-001	LAMP (120V)	X	X	X	X	X
07	988076-003	LAMP (220V)	X	X	X	X	X
07	988076-005	LAMP (240V)	X	X	X	X	X
08	141913-451	LIGHT SOCKET MOUNTING SCREW	X	X	X	X	X
09	113372-451	MOTOR GUIDE PIN MOUNTING BRACKET SCREW	X	X	X	X	X
10	446470	MOTOR GUIDE PIN MOUNTING BRACKET ASSEMBLY	X	X	X	X	X
11	313470-452	MOTOR GUIDE PIN MOUNTING BRACKET SCREW NUT	X	X	X	X	X
12	446473	MOTOR BELT TENSION SPRING	X	X	X	X	X
13	446475	MOTOR GUIDE PIN BUSHING	X	X	X	X	X
14	605087-001	HEAT SHIELD (FOR EUROPE)	X	X	X	X	X
15	179901	LIGHT SHIELD (WITHOUT GRAPHICS)	X	X	X	X	X
15	179910-451	LIGHT SHIELD (WITH GRAPHICS)	X	X	X	X	X
16		REFER TO CHARTS ON FOLLOWING PAGES					
17		REFER TO CHARTS ON FOLLOWING PAGES					
18		REFER TO CHARTS ON FOLLOWING PAGES					
19	605600-004	TYE RAP	X	X	X	X	X
20		REFER TO CHARTS ON FOLLOWING PAGES					
21		REFER TO CHARTS ON FOLLOWING PAGES					
22	603907-001	MOTOR MODULE NUT	X	X	X	X	X
23	988761-001	MOTOR PULLEY	X	X	X	X	X
24	113370-451	MOTOR MOUNTING PLATE SCREW	X	X	X	X	X
25	446476	MOTOR MOUNTING PLATE	X	X	X	X	X
26	353355	MOTOR MOUNTING PLATE GROMMET	X	X	X	X	X
27	446479	MOTOR MOUNTING PLATE ASSEMBLY	X	X	X	X	X
28	988887-001	MOTOR BELT SCREW CAP	X	X	X	X	X
29	113343-451	MOTOR BELT SCREW	X	X	X	X	X
30	179887	MOTOR BELT SCREW NUT	X	X	X	X	X
31	445539	MOTOR ADJUSTING SCREW LOCK NUT WASHER	X	X	X	X	X
32	353402-451	MOTOR ADJUSTING SCREW LOCK NUT	X	X	X	X	X
33	988764-002	LIGHT RECEPTACLE HARNESS (SURPRESSED) COMPLETE	X	X	X	X	X
34	353518-001	MOTOR BELT	X	X	X	X	X
35		REFER TO CHARTS ON FOLLOWING PAGES					

ELECTRICAL EQUIPMENT

REF.	1 SPEED UNSURPRESSED -----	U.S	CANADA	SOUTH AFRICA & EUROPE	GREAT BRITAIN
		(120V) -----	(120V) -----	(220V) -----	(240V) -----
3	LIGHT COMP.	605488-023	605488-023		
16	LIGHT SOCKET (ALT.)	362160-002	362160-007		
17	MOTOR COMPLETE	988759-006	988759-006		
18	SERIES MOTOR MODULE	988752-001	988752-001		
20	COMMUTATOR END	988760-002	988760-002		
35	CONTROLLER	362095-001	362095-001		
35	CONTROLLER (ALT.)	979314-031	979314-031		
21	SWITCH	988763-002	988763-002		
	 1 SPEED SURPRESSED -----				
3	LIGHT COMP.			605488-021	605488-021
16	LIGHT SOCKET (ALT.)			-----	-----
17	MOTOR COMPLETE			988759-007	988759-008
18	SERIES MOTOR MODULE			988752-002	988752-002
20	COMMUTATOR END			988760-002	988760-002
35	CONTROLLER			362095-026	362095-027
35	CONTROLLER (ALT.)			988763-004	988763-004
21	SWITCH				

ELECTRICAL EQUIPMENT

		ASIA & AFRICA & SOUTH AMERICA	ASIA & AFRICA & SOUTH AMERICA	ASIA & AFRICA & SOUTH AMERICA	AMEDO
REF.	1 SPEED UNSURPRESSED	FLAT BLADE (120V)	FLAT BLADE (220V)	ROUND PIN (120V)	ROUND PIN (120V)
	-----	-----	-----	-----	-----
3	LIGHT COMP.	605488-023	605488-023	605488-023	605488-023
16	LIGHT SOCKET (ALT.)	362001-007	362001-007	362001-007	362001-007
17	MOTOR COMPLETE	362175-004	362175-005	362175-004	988759-013
18	SERIES MOTOR MODULE	988752-006	988752-007	988752-006	988752-P04
20	COMMUTATOR END	988760-002	988760-002	988760-002	988760-002
35	CONTROLLER	362095-007	362095-024	362095-005	362095-005
35	CONTROLLER (ALT.)	979314-023	979314-024	979314-021	979314-001
21	SWITCH	988763-001	988763-001	988763-001	988763-001
	1 SPEED SURPRESSED				

3	LIGHT COMP.				
16	LIGHT SOCKET (ALT.)				
17	MOTOR COMPLETE				
18	SERIES MOTOR MODULE				
20	COMMUTATOR END				
35	CONTROLLER				
35	CONTROLLER (ALT.)				
21	SWITCH - 2 SPEED				

ELECTRICAL EQUIPMENT

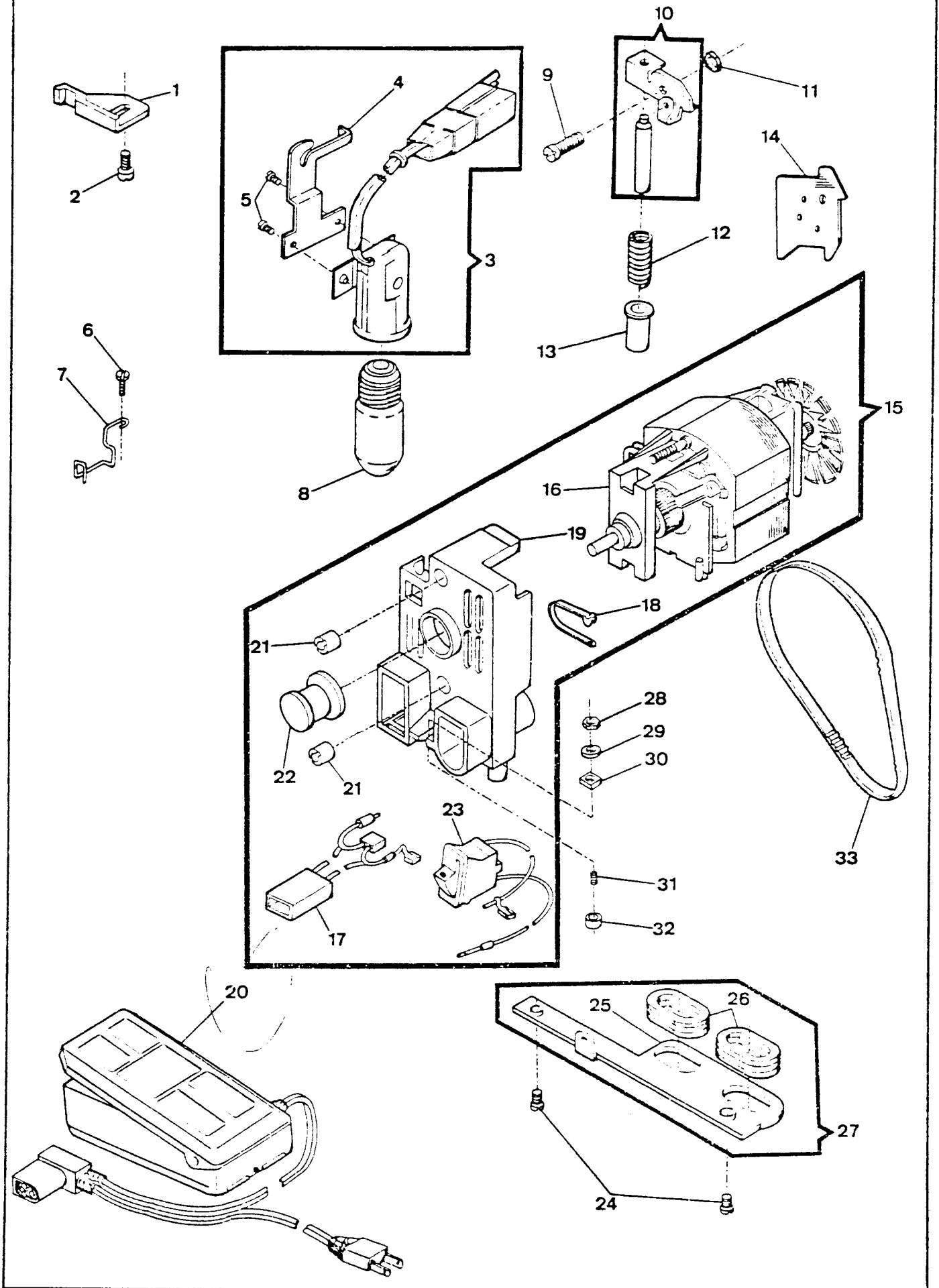
ASIA &
AFRICA &
SOUTH
AMERICA

SOUTH
AFRICA

AMEDO

AUSTRALIA

REF.	1 SPEED UNSURPRESSED	ROUND PIN (220V)	ROUND PIN (220V)	ROUND PIN (220V)	(240V)
3	LIGHT COMP.	605488-023		605488-023	
16	LIGHT SOCKET (ALT.)	362001-007		362001-007	
17	MOTOR COMPLETE	988759-005		988759-013	
18	SERIES MOTOR MODULE	988752-007		988752-P05	
20	COMMUTATOR END	988760-002		988760-002	
35	CONTROLLER	362095-022		362095-022	
35	CONTROLLER (ALT.)	979314-022		979314-022	
21	SWITCH	988763-001		988763-001	
	1 SPEED SURPRESSED				
3	LIGHT COMP.				605488-021
16	LIGHT SOCKET (ALT.)				
17	MOTOR COMPLETE				988759-008
18	SERIES MOTOR MODULE				988752-003
20	COMMUTATOR END				988760-002
35	CONTROLLER				988274-057
35	CONTROLLER (ALT.)				362095-028
21	SWITCH				988763-004



PART LIST
ELECTRICAL EQUIPMENT 110V, SINGLE SPEED,
SUPPRESSED (JAPAN ONLY)

6 6 6 6 6
2 2 2 2 2
1 1 1 1 1
1 2 4 5 7

REF.	PART NBR	DESCRIPTION	1	2	4	5	7
01	353411	LIGHT LEAD RETAINING CLIP	X	X	X	X	X
02	113504-451	LIGHT LEAD RETAINING CLIP MOUNTING SCREW	X	X	X	X	X
03	979148-001	LIGHT COMPLETE	X	X	X	X	X
04	979146-001	LIGHT SOCKET BRACKET	X	X	X	X	X
05	141913-451	LIGHT SOCKET BRACKET SCREW	X	X	X	X	X
06	113455-001	LIGHT LEAD WIRE RETAINER MOUNTING SCREW	X	X	X	X	X
07	353247	LIGHT LEAD WIRE RETAINER	X	X	X	X	X
08	549887-003	LAMP	X	X	X	X	X
09	113372-451	MOTOR GUIDE PIN MOUNTING BRACKET SCREW	X	X	X	X	X
10	446470	MOTOR GUIDE PIN MOUNTING BRACKET ASSEMBLY	X	X	X	X	X
11	313470-452	MOTOR GUIDE PIN MOUNTING BRACKET SCREW NUT	X	X	X	X	X
12	446473	MOTOR BELT TENSION SPRING	X	X	X	X	X
13	446475	MOTOR GUIDE PIN BUSHING	X	X	X	X	X
14	179901	HEAT SHIELD (WITHOUT GRAPHICS)	X	X	X	X	X
15	988759-002	MOTOR COMPLETE	X	X	X	X	X
16	988752-005	SERIES MOTOR MODULE	X	X	X	X	X
17	988764-002	LIGHT RECEPTACLE HARNESS (SUPPRESSED) COMPLETE	X	X	X	X	X
18	605600-P01	TYE RAP	X	X	X	X	X
19	988760-002	COMMUTATOR END COVER	X	X	X	X	X
20	411837-001	CONTROLLER	X	X	X	X	X
21	603907-001	MOTOR MODULE NUT	X	X	X	X	X
22	988761-001	MOTOR PULLEY	X	X	X	X	X
23	988763-P02	SWITCH WITH CONNECTOR & CONTACT LEADS	X	X	X	X	X
24	113370-451	MOTOR MOUNTING PLATE SCREW	X	X	X	X	X
25	446476	MOTOR MOUNTING PLATE	X	X	X	X	X
26	353355	MOTOR MOUNTING PLATE GROMMET	X	X	X	X	X
27	446479	MOTOR MOUNTING PLATE ASSEMBLY	X	X	X	X	X
28	353402-451	MOTOR MOUNTING SCREW LOCK NUT	X	X	X	X	X
29	445539	MOTOR MOUNTING SCREW LOCK NUT WASHER	X	X	X	X	X
30	179887	MOTOR BELT SCREW NUT	X	X	X	X	X
31	113343-451	MOTOR BELT SCREW	X	X	X	X	X
32	988887-001	MOTOR BELT SCREW CAP	X	X	X	X	X
33	353518-001	MOTOR BELT	X	X	X	X	X