

SINGER
6010/6011/6012/6017

LIST OF PARTS

SEWING MACHINE SERIES

6610, 12, 17

8000

by

SINGER®

© THE SINGER COMPANY
1988 SINGER DO BRASIL
ALL RIGHTS RESERVED

* REGISTERED TRADEMARK

PRINTED IN BRAZIL

356495-001

MAY-89

6000 SERIES
REVISION RECORD

REV.	DESCRIPTION	APPROVAL AND DATE
	ADOPTED BY SERVICE LETTER NBR 009	
	ADDED REF. NBR 36 P/N 531764 PAGE 05/06	3485 10/15/89
	ADDED REF. NBR 37 P/N 354810-451 PAGE 05/06	3485 10/15/89
	CHANGED REF. NBR 18 FROM P/N 141938-833 TO P/N 141803-830 PAGE 12	7029 03/27/89
	CHANGED REF. NBR 19 FROM P/N 141938-833 TO P/N 141803-830 PAGE 18	7029 03/27/89
	ADDED REF. NBR 35 P/N 531767-001 PAGE 17/18	3485 10/15/89
	ADDED REF. NBR 36 P/N 531768 PAGE 17/18	3485 10/15/89
2	ADDED REF. NBR 37 P/N 543531 PAGE 17/18	3485 10/15/89
	ADDED REF. NBR 38 P/N 531770-451 PAGE 17/18	3485 10/15/89
	ADDED REF. NBR 39 P/N 44440-001 PAGE 17/18	3485 10/15/89
	ADDED REF. NBR 40 P/N 15287-701 PAGE 17/18	3485 10/15/89
	ADDED REF. NBR 41 P/N 445486 PAGE 17/18	3485 10/15/89
	ADDED REF. NBR 42 P/N 531766 PAGE 17/18	3485 10/15/89
	CHANGED REF. NBR 05 FROM P/N 549426-451 TO P/N 445808 PAGE 30	3488 10/22/89
	CHANGED REF. NBR 11 FROM P/N 381213 TO P/N 356630 PAGE 01/02	7121 06/18/90
	CHANGED REF. NBR 17 FROM P/N 354316-451 TO P/N 354833-451 PAGE 14	3427 11/13/89
	ADDED REF. NBR 25 P/N 356819 PAGE 13/14	7156 08/20/90
	CHANGED REF. NBR 07 FROM P/N 531682 TO P/N 356720 PAGE 20	7053 03/05/90
	CHANGED REF. NBR 15 FROM P/N 313190-451 TO P/N 446138 PAGE 26	3488 10/15/89
3	CHANGED REF. NBR 22 FROM P/N 444923-451 TO P/N 353424 PAGE 26	7198 08/27/90
	ADDED REF. NBR 03 P/N 354975-451 PAGE 27/28	7094 06/25/90
	CHANGED REF. NBR 04 FROM P/N 353472 TO P/N 356397 PAGE 27/28	7094 06/25/90
	CHANGED REF. NBR 25 FROM P/N 353487 TO P/N 353478 PAGE 27/28	7094 06/25/90
	ADDED REF. NBR 06 P/N 44892 PAGE 27/28	7094 06/25/90
	ADDED REF. NBR 07 P/N 618638-005 PAGE 27/28	7094 06/25/90

CCO

JHW

6000 SERIES
REVISION RECORD

REF.	DESCRIPTION	APPROVAL AND DATE	
4	CHANGED REF. NBR 08 FROM P/N 353517-451 TO P/N 356795-454 PAGE 29/ 30	7195 09/18/90	
	CHANGED REF. NBR 09 FROM P/N 353516-451 TO P/N 356796-454 PAGE 29/ 30	7195 09/18/90	
	DELETED P/N 445945 PAGE 29/30	7195 09/18/90	
	DELETED P/N 113433-451 PAGE 29/30	7195 09/18/90	
	DELETED P/N 353445 PAGE 29/30	7195 09/18/90	
	CHANGED REF. NBR 13 FROM P/N 179903-451 TO P/N 356654-451 PAGE 29/ 30	7195 09/18/90	
	CHANGED REF. NBR 19 FROM P/N 353305 TO P/N 356652 PAGE 29/30	7195 09/18/90	
	CHANGED REF. NBR 20 FROM P/N 44612 TO P/N 44892 PAGE 29/30	7195 09/18/90	
	CHANGED REF. NBR 21 FROM P/N 353446 TO P/N 356650 PAGE 29/30	7195 09/18/90	
	DELETED P/N 445721 PAGE 29/30	7195 09/18/90	
	ADDED REF. NBR 22 P/N 618638-005 PAGE 29/30	7195 09/18/90	
	ADDED REF. NBR 24 P/N 356830-001 PAGE 29/30	7230 10/25/90	

J. Hill

6000 SERIES
REVISION RECORD

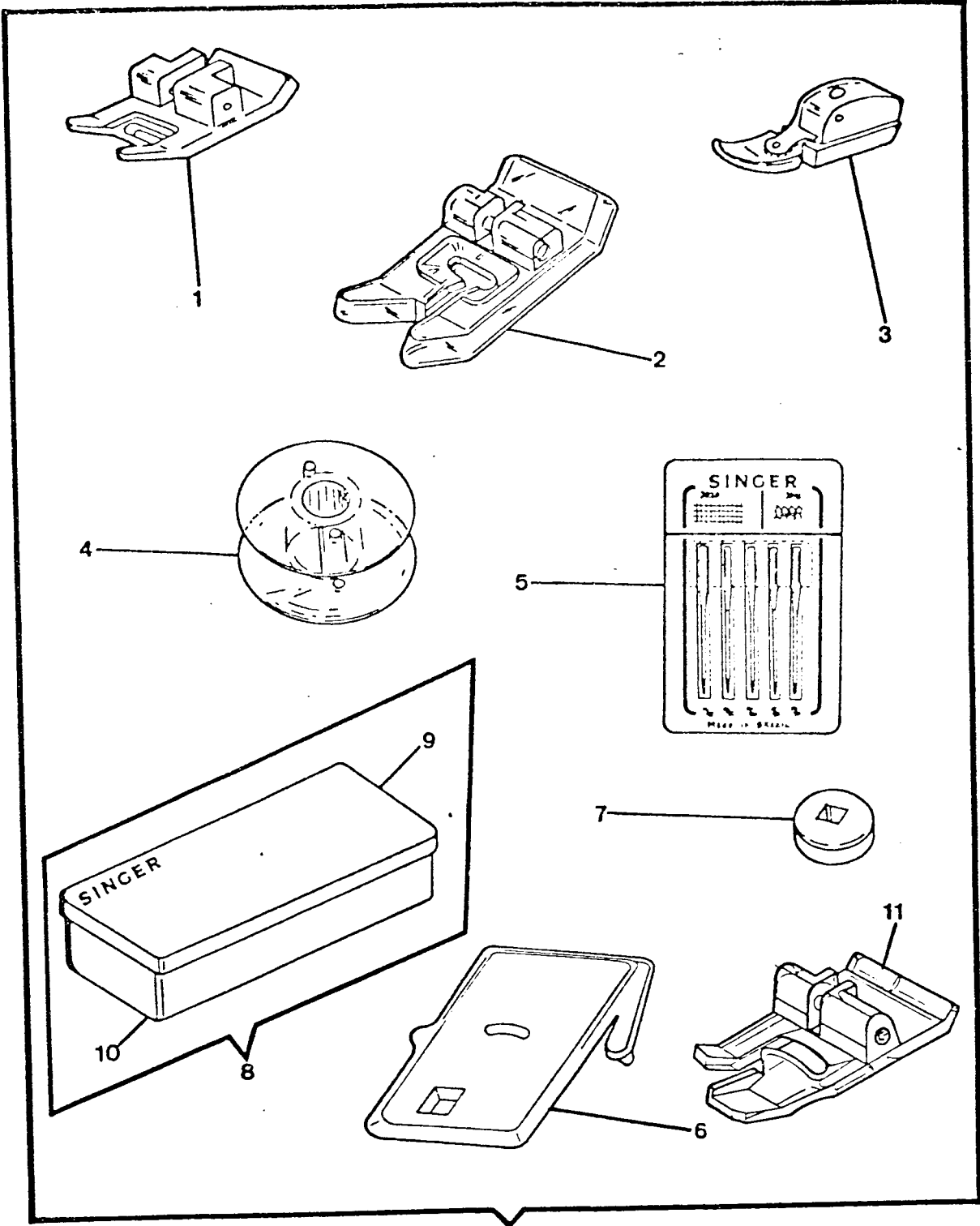
REV.	DESCRIPTION	APPROVAL AND DATE
	ADOPTED BY SERVICE LETTER NBR 009	
	ADDED REF. NBR 36 P/N 531764 PAGE 05/06	3485 10/15/89
	ADDED REF. NBR 37 P/N 354810-451 PAGE 05/06	3485 10/15/89
	CHANGED REF. NBR 18 FROM P/N 141938-833 TO P/N 141803-830 PAGE 12	7029 03/27/89
	CHANGED REF. NBR 19 FROM P/N 141938-833 TO P/N 141803-830 PAGE 18	7029 03/27/89
	ADDED REF. NBR 35 P/N 531767-001 PAGE 17/18	3485 10/15/89
	ADDED REF. NBR 36 P/N 531768 PAGE 17/18	3485 10/15/89
2	ADDED REF. NBR 37 P/N 543531 PAGE 17/18	3485 10/15/89
	ADDED REF. NBR 38 P/N 531770-451 PAGE 17/18	3485 10/15/89
	ADDED REF. NBR 39 P/N 44440-001 PAGE 17/18	3485 10/15/89
	ADDED REF. NBR 40 P/N 15287-701 PAGE 17/18	3485 10/15/89
	ADDED REF. NBR 41 P/N 445486 PAGE 17/18	3485 10/15/89
	ADDED REF. NBR 42 P/N 531766 PAGE 17/18	3485 10/15/89
	CHANGED REF. NBR 05 FROM P/N 549426-451 TO P/N 445808 PAGE 30	3488 10/22/89

CS

INDEX

PAGE NBR	SUB-ASSEMBLY
01 - 02	ATTACHMENT SET
03 - 04	ARM & BED
05 - 08	COVERS & ADD ONS
09 - 12	NEEDLE BAR, PRESSER BAR & THREAD TAKE-UP
13 - 14	ARM SHAFT DRIVE
15 - 16	HAND WHEEL
17 - 18	TENSION & BOBBIN WINDER
19 - 20	ROTATING HOOK, THROAT PLATE & BED SLIDE
21 - 22	BIGHT AMPLITUDE
23 - 24	NEEDLE POSITION
25 - 26	DISC SELECTOR ASSEMBLY & CAM STACK
27 - 28	FEED REGULATOR CAM
29 - 30	BUTTONHOLER & FEED REGULATOR CAM
31 - 32	FEED SYSTEM
33 - 34	OPTIONS/ BOTTOM COVER
35 - 39	ELECTRICAL EQUIPMENT

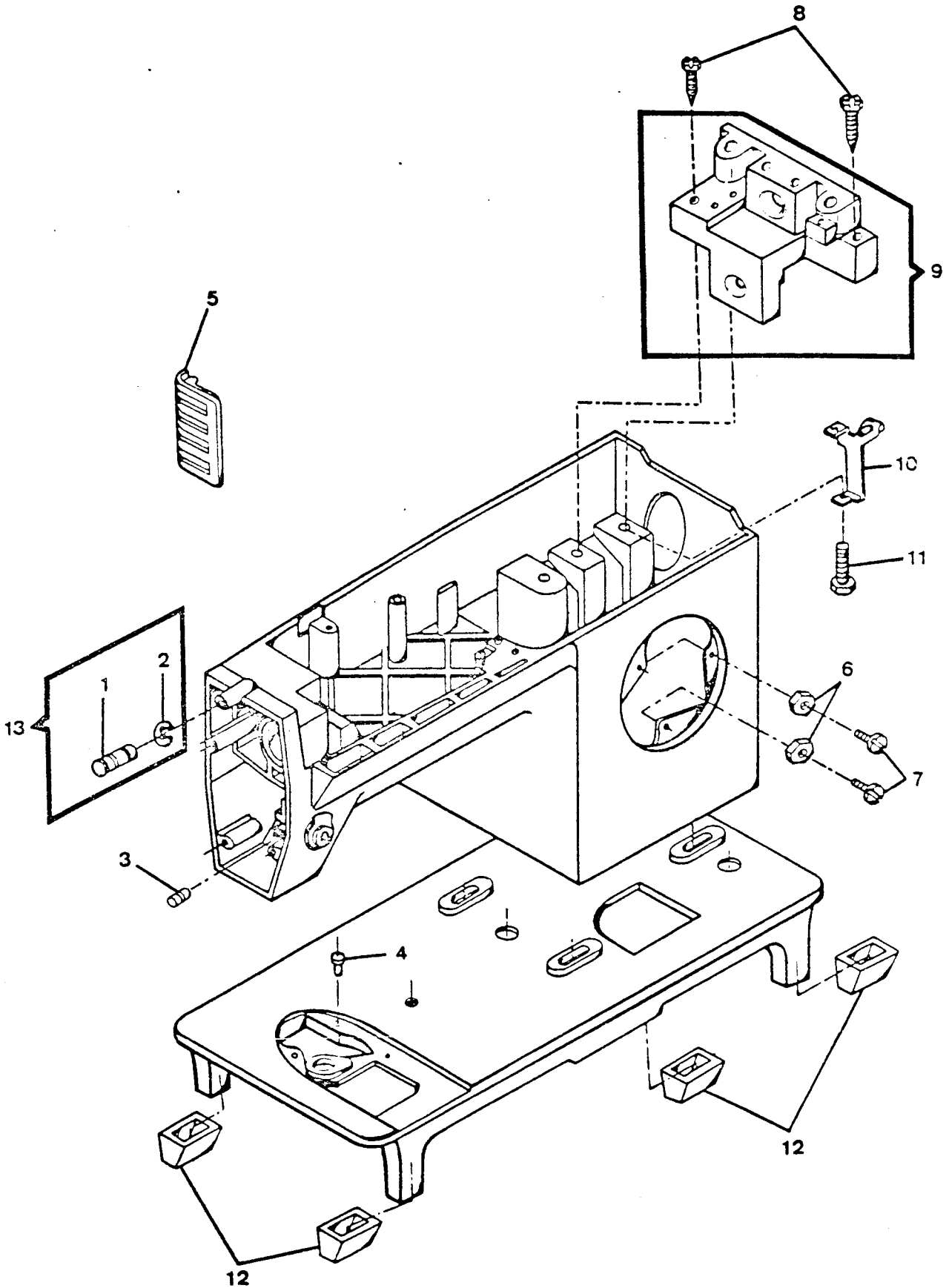
ATTACHMENT SET



PART LIST
ATTACHMENT SET

REF.	PART NBR	DESCRIPTION	6	6
			0	0
			1	1
			1	2
01	446492-451	SPECIAL PURPOSE PRESSER FOOT PLATE (SNAP-ON)		X
02	161927	PRESSER FOOT PLATE (SNAP-ON) FOR SEWING BUTTONHOLES		X
03	507836	PRESSER FOOT PLATE (SNAP-ON) COMPLETE FOR CORDING & SLIDE FASTENERS		X
04	172336 ⁰⁰¹	BOBBIN (PLASTIC)	X	X
05	353364	NEEDLE PACK (INCLUDES 1 E N2020 SIZE 11/14/16 & N2045 SIZE 11/14)	X	X
06	381495	FEED COVER PLATE (PLASTIC)	X	X
07	507664-459	ARM TOP COVER SPOOL PIN THREAD LEAD-OFF (SMALL PLASTIC)	X	X
08	446150-454	ATTACHMENT BOX COMPLETE	X	X
09	446149-454	ATTACHMENT BOX COVER (PLASTIC)	X	X
10	446148-454	ATTACHMENT BOX BASE (PLASTIC)	X	X
11	381213	BLINDSTITCH GUIDE		X
12	531672	ATTACHMENT SET COMPLETE	X	
12	531673	ATTACHMENT SET COMPLETE		X

ARM & BED



PART LIST

ARM & BED

6 6

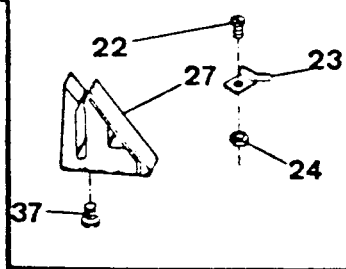
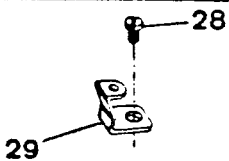
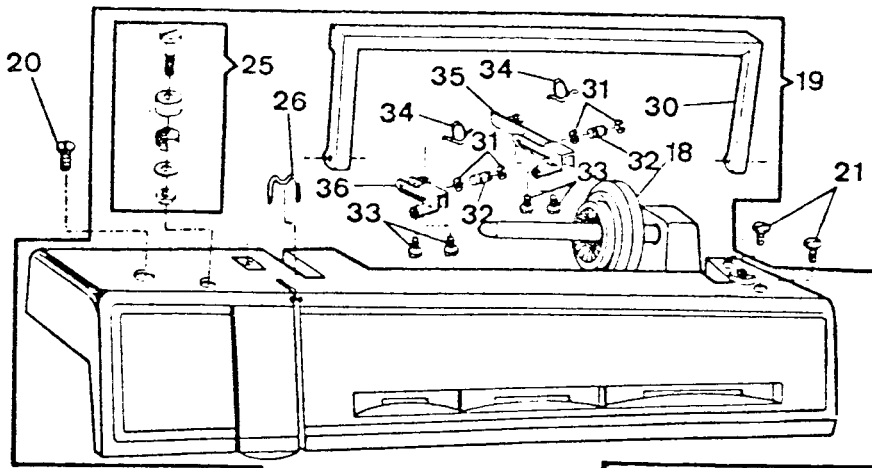
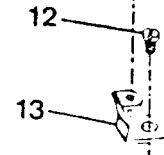
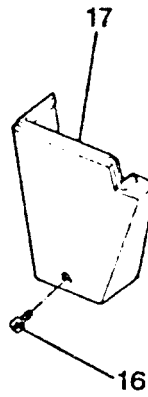
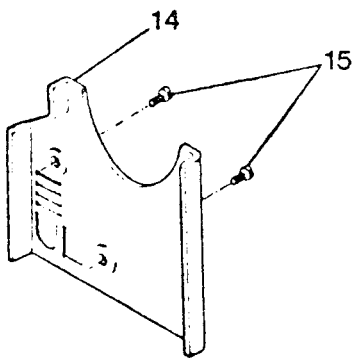
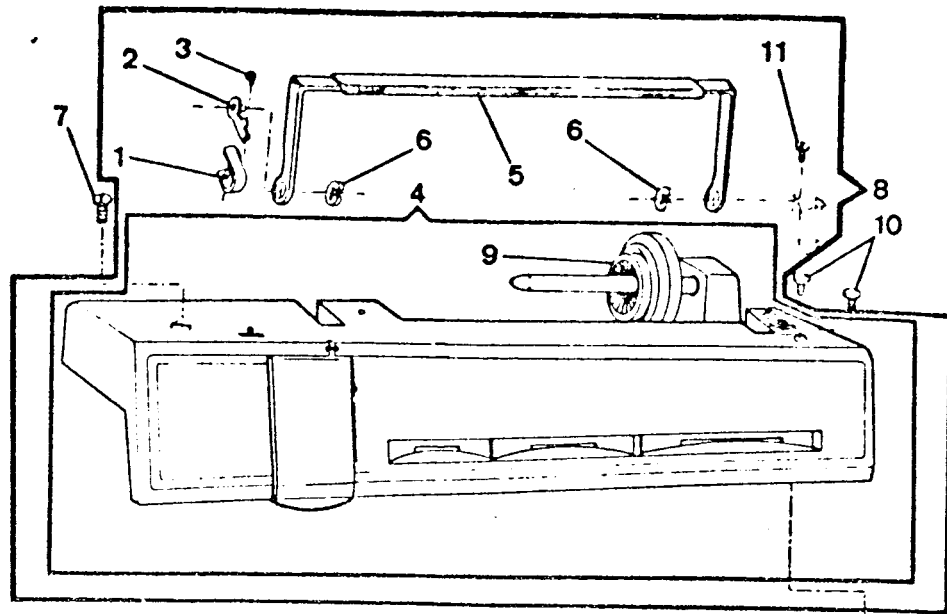
0 0

1 1

1 2

REF.	PART NBR	DESCRIPTION		
01	446375	THREAD TAKE-UP LEVER LINK HINGE STUD	X	X
02	353215	THREAD TAKE-UP LEVER LINK HINGE STUD RETAINING RING (LEFT & RIGHT)	X	X
03	446358	TENSION RELEASING LEVER HINGE PIN	X	X
04	179943	THROAT PLATE POSITION PIN (PLASTIC)	X	X
05	353360-45X	ARM INSERT (MOTOR VENT GRILL)	X	X
06	353588-451	FEED REGULATOR MECHANISM MOUNTING PLATE NUT INSERT		X
07	113513-451	BUTTONHOLER & FEED REGULATOR SCREW		X
08	113455-006	ARM SHAFT (REAR) HOUSING MOUNTING SCREW	X	X
09	531649	ARM SHAFT (REAR) HOUSING ASSEMBLY	X	X
10	353601	ARM TOP COVER HANDLE HINGE PIN BRACKET (RIGHT) ASSEMBLY	X	X
11	446349-451	ARM SHAFT (REAR) HOUSING MOUNTING BOLT	X	X
12	446154-451	UNDER BED COVER CUSHION	X	X
13	353623	THREAD TAKE-UP LEVER LINK HINGE STUD WITH RING	X	X

COVERS & ADD ONS

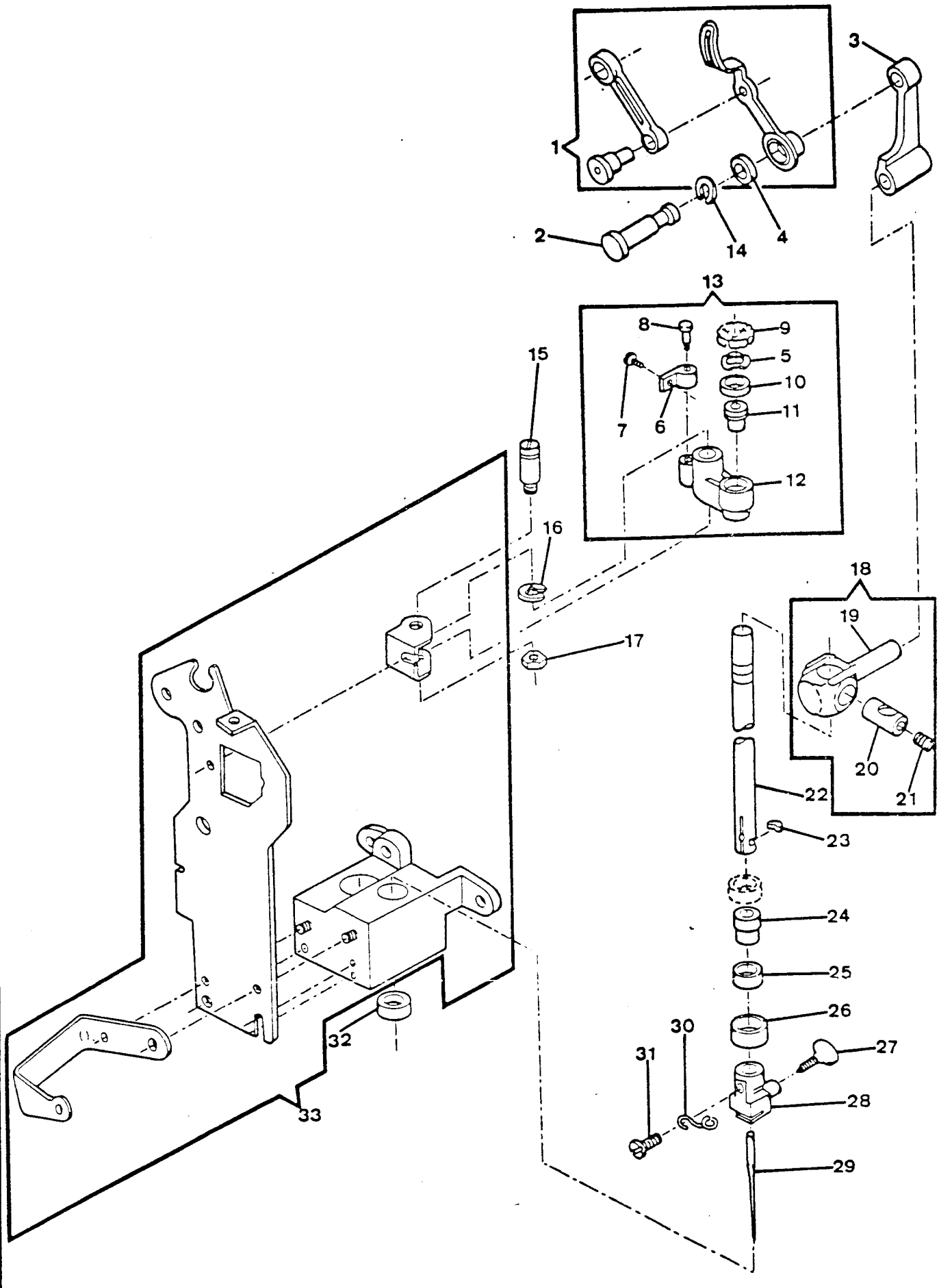


PART LIST
COVERS & ADD ONS

REF.	PART NBR	DESCRIPTION	6	6
			0	0
			1	1
			1	2
01	446498	ARM TOP COVER HANDLE RETAINING SPRING	X	X
02	179886	ARM TOP COVER HANDLE HINGE PIN BRACKET (LEFT) ASSEMBLY	X	X
03	356826-451	ARM TOP COVER HANDLE HINGE PIN BRACKET MOUNTING SCREW	X	X
04	179987-002	ARM TOP COVER ASSEMBLY (WITH "SAMBA 1" LOGO)	X	
04	353372-002	ARM TOP COVER ASSEMBLY (WITH "SAMBA 3" LOGO)		X
04	353372-001	ARM TOP COVER ASSEMBLY (WITHOUT LOGO)		X
05	353592-451	ARM TOP COVER HANDLE ASSEMBLY	X	X
06	445721	ARM TOP COVER HANDLE RETAINING RING	X	X
07	354975-451	ARM TOP COVER SCREW (LEFT)	X	X
08	531848-453	ARM TOP COVER ASSEMBLY COMPLETE (WITHOUT LOGO)		X
08	531848-454	ARM TOP COVER ASSEMBLY (WITH "SAMBA 3" LOGO)		X
08	531847-454	ARM TOP COVER ASSEMBLY (WITH "SAMBA 1" LOGO)	X	
09	179967-451	ARM TOP COVER SPOOL PIN THREAD LEAD-OFF	X	X
10	354895-453	ARM TOP COVER SCREW (RIGHT REAR & FRONT)	X	X
11	141808-452	ARM TOP COVER HANDLE HINGE PIN BRACKET (RIGHT) RETAINING SET SCREW	X	X
12	113455-001	ARM TOP COVER MOUNTING BRACKET (RIGHT) MOUNTING SCREW	X	X
13	356178	ARM TOP COVER MOUNTING PIN BRACKET (RIGHT)	X	X
14		REFER TO CHARTS ON FOLLOWING PAGE		
15	354637-453	ARM END COVER SCREW	X	X
16	354133-453	FACE PLATE SCREW	X	X
17	353433-451	FACE PLATE COMPLETE WITH GRILLE (EUROPE ALTERNATE)	X	X
17	446452-451	FACE PLATE COMPLETE (USA/CANADA/ALAFE)	X	X
18	179967-451	ARM TOP COVER SPOOL PIN THREAD LEAD-OFF	X	X
19	531960-455	ARM TOP COVER COMPLETE (W/O LOGO)	X	
19	531962-455	ARM TOP COVER COMPLETE (W/O LOGO)		X
20	354895-453	ARM TOP COVER SCREW	X	X
21	354895-453	ARM TOP COVER MOUNTING SCREW (RIGHT REAR & FRONT)	X	X
22	141920-453	BOBBIN WINDER STOP SCREW	X	X
23	445924	BOBBIN WINDER STOP	X	X
24	53640-819	BOBBIN WINDER STOP SCREW NUT	X	X
25	356258	BOBBIN WINDER TENSION COMPLETE	X	X
26	445444-900	CONTROL PANEL THREAD GUIDE	X	X
27	313563-451	ARM TOP COVER YHREAD GUIDE	X	X
28	354826-451	ARM TOP COVER MOUNTING BRACKET SCREW	X	X
29	531765	ARM TOP COVER MOUNTING BRACKET (LEFT)	X	X
30	531760-451	ARM TOP COVER HANDLE	X	X
31	445721	ARM TOP COVER HANDLE RETAINING RING	X	X
32	531761	ARM TOP COVER HANDLE HINGE PIN	X	X
33	113455-001	ARM TOP COVER HANDLE MOUNTING BRACKET SCREW	X	X
34	531762	ARM TOP COVER HANDLE MOUNTING BRACKET SPRING	X	X
35	531763	ARM TOP COVER HANDLE MOUNTING BRACKET	X	X
36	531764	ARM TOP COVER HANDLE MOUNTING BRACKET	X	X
37	354810-451	ARM TOP COVER THREAD GUIDE SCREW	X	X



NEEDLE BAR, PRESSER BAR & TAKE-UP



ARM END COVER

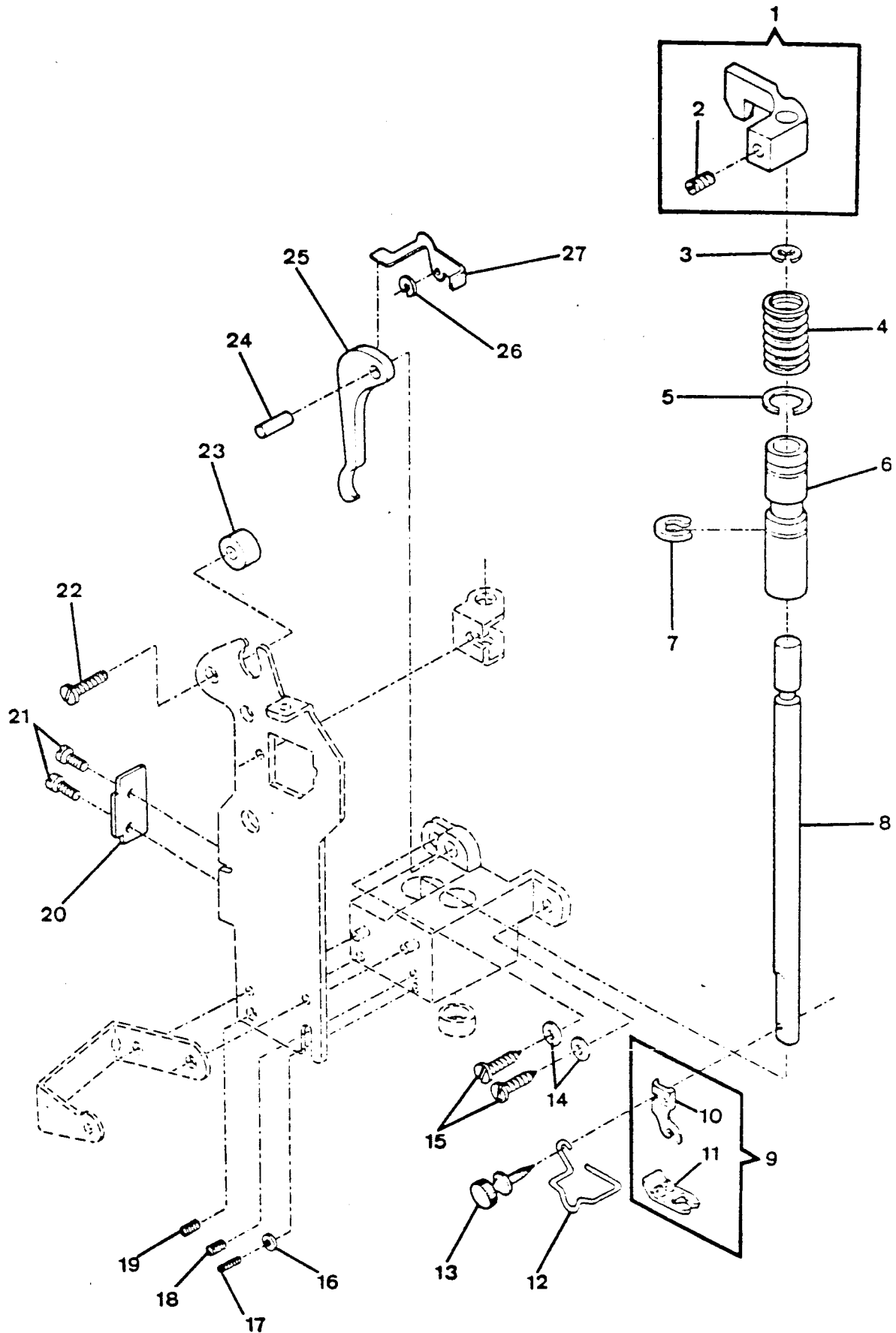
PART NBR	A	B	C	D	E	F	G	H	I
531681-017	X								6011
-018		X							6011
-019			X						6011
-020				X					6011
-021					X				6011
-022						X			6011
-023							X		6011
-024								X	6011
-025	X								6012
-026		X							6012
-027			X						6012
-028				X					6012
-029					X				6012
-030						X			6012
-031							X		6012
-032								X	6012
-036									X 6012

- A - EUROPE
- B - U.K.
- C - U.S. - CANADA
- D - AUSTRALIA
- E - NON-REG. EUR.
- F - INT.GROUP-110V
- G - INT.GROUP-220V
- H - CYPRUS-220V
- I - U.S/SCHOOL

PART LIST
NEEDLE BAR, PRESSER BAR & TAKE-UP

REF.	PART NBR	DESCRIPTION	6	6
			0	0
			1	1
			1	2
01	445672	THREAD TAKE-UP LEVER COMPLETE	X	X
02	446260	THREAD TAKE-UP STUD	X	X
03	446357	NEEDLE BAR CONNECTING LINK	X	X
04	543531	THREAD TAKE-UP STUD THRUST WASHER	X	X
05	353424	NEEDLE BAR BALL BUSHING (UPPER) WAVED WASHER	X	X
06	446190	NEEDLE BAR DRIVING ARM HINGE BRACKET	X	X
07	141844-819	NEEDLE BAR DRIVING ARM HINGE BRACKET SCREW	X	X
08	37935	NEEDLE BAR DRIVING ARM HINGE BRACKET HINGE PIN	X	X
09	353522	NEEDLE BAR BALL BUSHING (UPPER) RETAINING RING	X	X
10	507379	NEEDLE BAR BALL BUSHING (UPPER) SOCKET	X	X
11	446355-001	NEEDLE BAR BALL BUSHING (UPPER)	X	X
12	353521	NEEDLE BAR VIBRATING BRACKET (PLASTIC)	X	X
13	353520	NEEDLE BAR VIBRATING BRACKET COMPLETE	X	X
14	445486	THREAD TAKE-UP STUD RETAINING RING	X	X
15	446359	NEEDLE BAR VIBRATING BRACKET HINGE PIN	X	X
16	445721	NEEDLE BAR VIBRATING BRACKET HINGE PIN RETAINING RING	X	X
17	353402-451	NEEDLE BAR VIBRATING BRACKET HINGE PIN NUT	X	X
18	353549-940	NEEDLE BAR COMPLETE	X	X
19	353549	NEEDLE BAR CONNECTING STUD	X	X
20	37931	NEEDLE BAR CONNECTING STUD HINGE PIN	X	X
21	141916-833	NEEDLE BAR CLAMPING SCREW	X	X
22	445793	NEEDLE BAR	X	X
23	37943	NEEDLE BAR GIB	X	X
24	446355-001	NEEDLE BAR BUSHING (LOWER)	X	X
25	507379	NEEDLE BAR BALL BUSHING (LOWER) SOCKET	X	X
26	446361	NEEDLE BAR BALL BUSHING (LOWER) ADJUSTING COLLAR	X	X
27	113413-451	NEEDLE THUMB SCREW	X	X
28	353630	NEEDLE CLAMP BODY (FOR JAPAN ONLY)	X	X
29	204514-100	NEEDLE (SIZE NBR 14)	X	X
30	353629	NEEDLE CLAMP THREAD GUIDE	X	X
31	141808-451	NEEDLE CLAMP BOBY, THREAD GUIDE & NEEDLE STOP SCREW	X	X
32	44450	NEEDLE BAR BUSHING (LOWER) SOCKET (UPPER)	X	X
33	356599	NEEDLE BAR, PRESSER BAR & VIBRATING BRACKET HOUSING ASSEMBLY	X	X

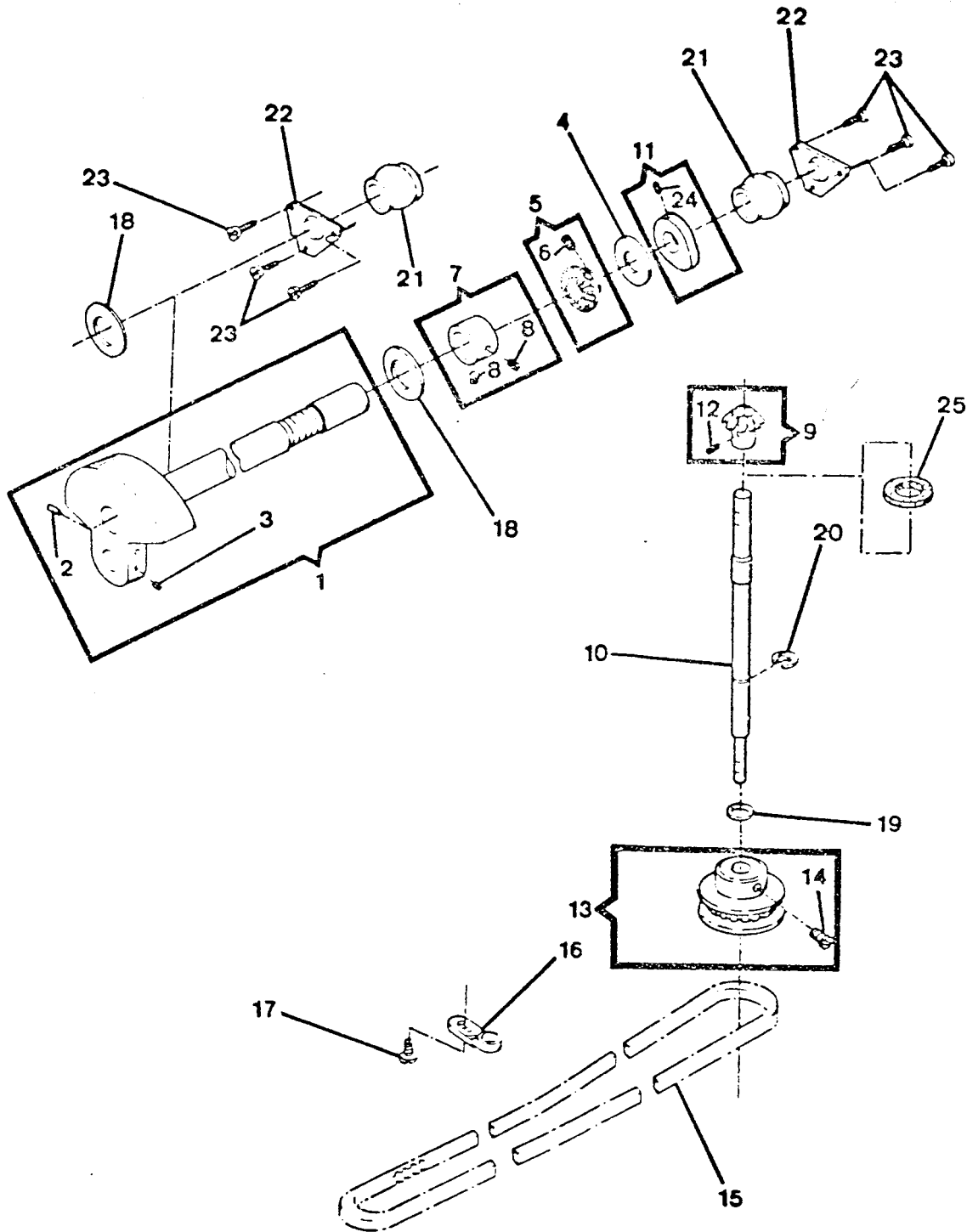
NEEDLE BAR, PRESSER BAR & TAKE-UP (CONT.)



PART LIST
NEEDLE BAR, PRESSER BAR & TAKE-UP (CONT.)

REF.	PART NBR	DESCRIPTION	6	6
			0	0
			1	1
			1	2
01	353212	PRESSER BAR GUIDE BRACKET ASSEMBLY	X	X
02	141925-833	PRESSER BAR GUIDE BRACKET SET SCREW	X	X
03	353215	PRESSER BAR SPRING RETAINING RING (UPPER)	X	X
04	353214	PRESSER BAR SPRING	X	X
05	353252	PRESSER BAR SPRING RETAINING RING	X	X
06	445947-001	PRESSER BAR BUSHING	X	X
07	353252	PRESSER BAR BUSHING LOCATOR RING	X	X
08	314638	PRESSER BAR	X	X
09	446372	PRESSER FOOT (SNAP-ON) COMPLETE FOR ZIG-ZAG SEWING	X	X
10	155964	PRESSER FOOT SHANK (SNAP-ON)	X	X
11	446371	PRESSER FOOT PLATE (SNAP-ON) FOR ZIG-ZAG SEWING	X	X
12	116863	FINGER GUARD (FOR EUROPE ONLY)	X	X
13	354135-452	PRESSER FOOT THUMB SCREW	X	X
14	353375-451	NEEDLE BAR, PRESSER BAR & VIBRATING BRACKET HOUSING MOUNTING SCREW (LOWER) WASHER	X	X
15	113434-451	NEEDLE BAR, PRESSER BAR & VIBRATING BRACKET HOUSING MOUNTING SCREW (LOWER)	X	X
16	54591-451	NEEDLE BAR OVER THROW SET SCREW NUT	X	X
17	354993-451	NEEDLE BAR OVER THROW SET SCREW	X	X
18	141803-830	NEEDLE BAR BALL BUSHING (LOWER) ADJUSTING COLLAR SET SCREW		
19	354906-451	PRESSER BAR BUSHING SET SCREW	X	X
20	446353	PRESSER BAR GUIDE BRACKET POSITIONER	X	X
21	141913-451	PRESSER BAR GUIDE BRACKET POSITIONER SCREW	X	X
22	113455-005	NEEDLE BAR & PRESSER BAR VIBRATING BRACKET HOUSING MOUNTING SCREW (UPPER)	X	X
23	531627	NEEDLE BAR & PRESSER BAR VIBRATING BRACKET HOUSING MOUNTING BUSHING	X	X
24	446354-451	PRESSER BAR LIFTER HINGE PIN	X	X
25	446354-451	PRESSER BAR LIFTER WITH SCREW	X	X
26	445486	TENSION RELEASING LEVER RETAINING RING	X	X
27	445925	TENSION RELEASING LEVER	X	X

APM SHAFT DRIVE



PART LIST
ARM SHAFT DRIVE

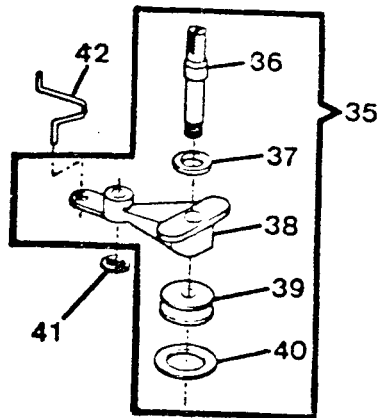
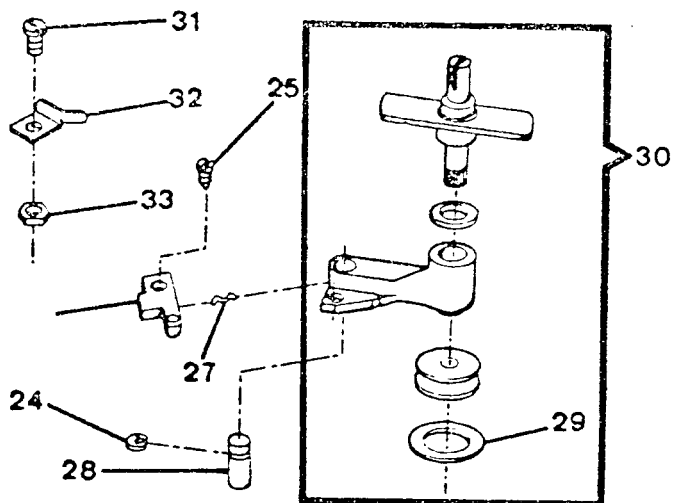
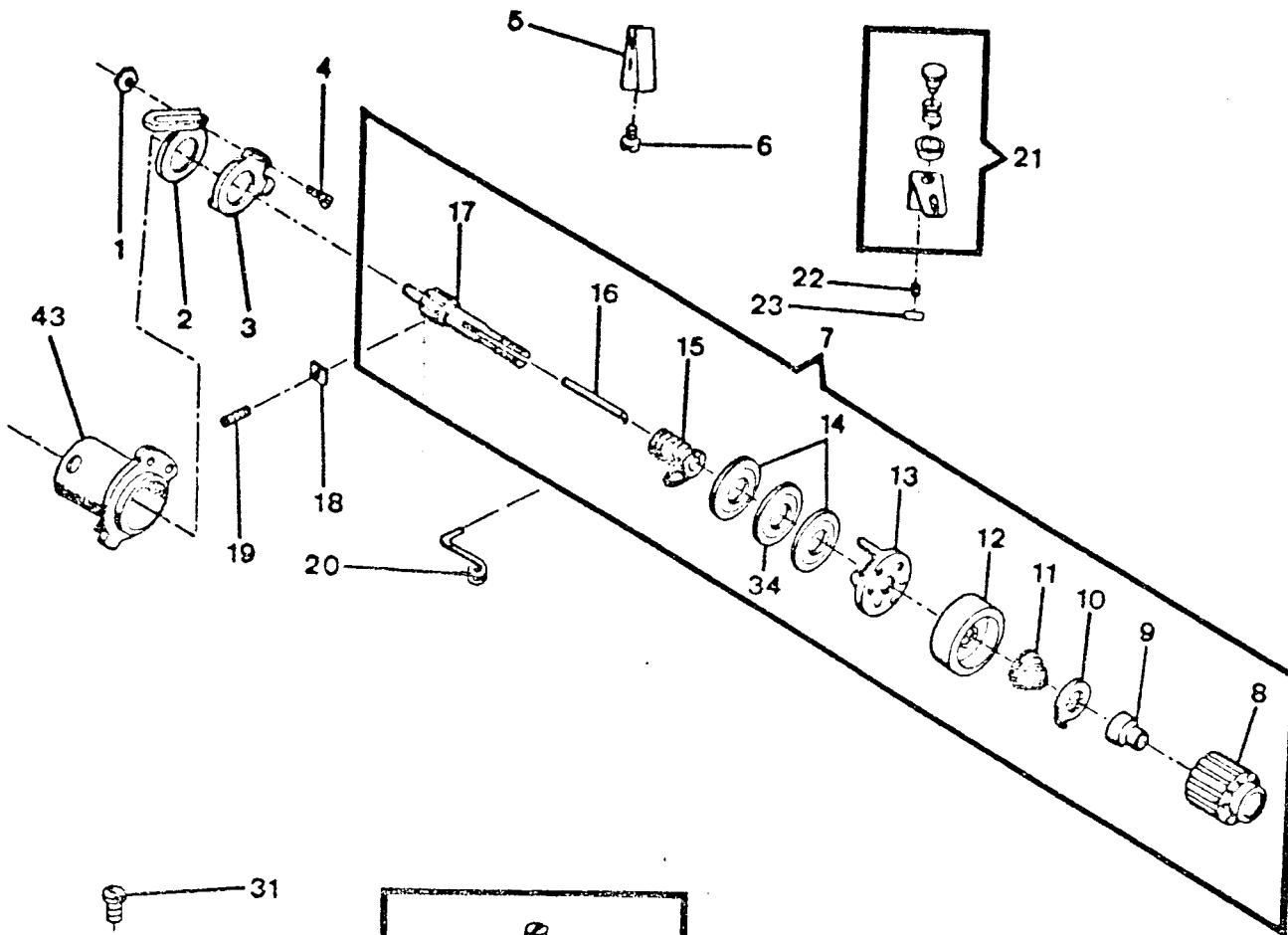
REF.	PART NBR	DESCRIPTION	6	6
			0	0
			1	1
			1	2
01	531657	ARM SHAFT (HORIZONTAL) COMPLETE	X	X
02	445898	NEEDLE BAR CRANK PIN	X	X
03	354105-833	NEEDLE BAR CRANK POSITION SET SCREW	X	X
04	37284-001	FEED FORKED CONNECTING RETAINING WASHER (PLASTIC)	X	X
05	319695	ARM SHAFT (HORIZONTAL) BEVEL GEAR (PLASTIC)	X	X
06	354813-451	ARM SHAFT (HORIZONTAL) BEVEL GEAR & FEED LIFTING (ECCENTRIC) SET SCREW	X	X
07	353580	ARM SHAFT (HORIZONTAL) RETAINING COLLAR COMPLETE	X	X
08	113500-451	ARM SHAFT (HORIZONTAL) RETAINING COLLAR SET SCREW	X	X
09	531658	ARM SHAFT BEVEL GEAR (UPRIGHT) COMPLETE	X	X
10	531659	ARM SHAFT (UPRIGHT)	X	X
11	179993	FEED CAM WITH SCREW	X	X
12	354105-833	ARM SHAFT (UPRIGHT) BEVEL GEAR (PLASTIC) SET SCREW	X	X
13	445543	ARM SHAFT (UPRIGHT) BELT DRIVE PULLEY COMPLETE	X	X
14	354906-451	ROTATING HOOK BELT DRIVE PULLEY SET SCREW	X	X
15	37977	BELT (ROTATING HOOK DRIVE)	X	X
16	531630	ROTATING HOOK DRIVE BELT TENSION ADJUSTED	X	X
17	354833-451	ROTATING HOOK DRIVE BELT TENSIONER SCREW	X	X
18	319664	NEEDLE BAR CRANK WASHER (PLASTIC)	X	X
19	353394	ARM SHAFT (UPRIGHT) RETAINING RING WASHER	X	X
20	353215	ARM SHAFT (UPRIGHT) RETAINING RING	X	X
21	446384	ARM SHAFT BUSHING (LEFT & RIGHT)	X	X
22	446385	ARM SHAFT BUSHING RETAINING PLATE	X	X
23	113455-001	ARM SHAFT BUSHING RETAINING BRACKET SCREW	X	X
24	354813-451	FEED CAM SET SCREW	X	X
25	356819	ARM SHAFT (UPRIGHT) FELT WASHER	X	X

PART LIST
HAND WHEEL

6 6
0 0
1 1
1 2

REF.	PART NBR	DESCRIPTION		
01	446391-451	HAND WHEEL (PLASTIC) COMPLETE		X
01	446460-451	HAND WHEEL (CAST IRON) COMPLETE (FOR TREADLE/ ELETRIC)	X	X
02	446297	HAND WHEEL DISENGAGING CLUTCH ENGAGING PLATE COVER	X	X
03	445721	HAND WHEEL DISENGAGING CLUTCH ENGAGING PLATE HINGE PIN RETAINER RING	X	X
04	319560	HAND WHEEL DISENGAGING CLUTCH ENGAGING PLATE HINGE PIN	X	X
05	531628	HAND WHEEL DISENGAGING CLUTCH ACTUATING SPRING	X	X
06	319567	HAND WHEEL DISENGAGING CLUTCH BUSHING PLATE RETAINER	X	X
07	319566	HAND WHEEL DISENGAGING CLUTCH BUSHING PLATE	X	X
08	446390	HAND WHEEL DISENGAGING CLUTCH BUSHING	X	X
09	446343	HAND WHEEL DISENGAGING CLUTCH BUSHING COMPLETE	X	X
10	354813-451	HAND WHEEL DISENGAGING CLUTCH BUSHING SCREW	X	X
11	446386-451	HAND WHEEL (PLASTIC) (ELETRIC)	X	X
12	179894-451	HAND WHEEL (TREADLE) ASSEMBLY (CAST IRON)	X	X
13	179896-451	HAND WHEEL DISENGAGING CLUTCH ASSEMBLY (CAST IRON)	X	X
14	179895	HAND WHEEL (TREADLE) SPROCKET (PLASTIC)	X	X
15	354656-451	HAND WHEEL (TREADLE) SPROCKET SCREW	X	X
16	446387	HAND WHEEL RETAINING RING	X	X

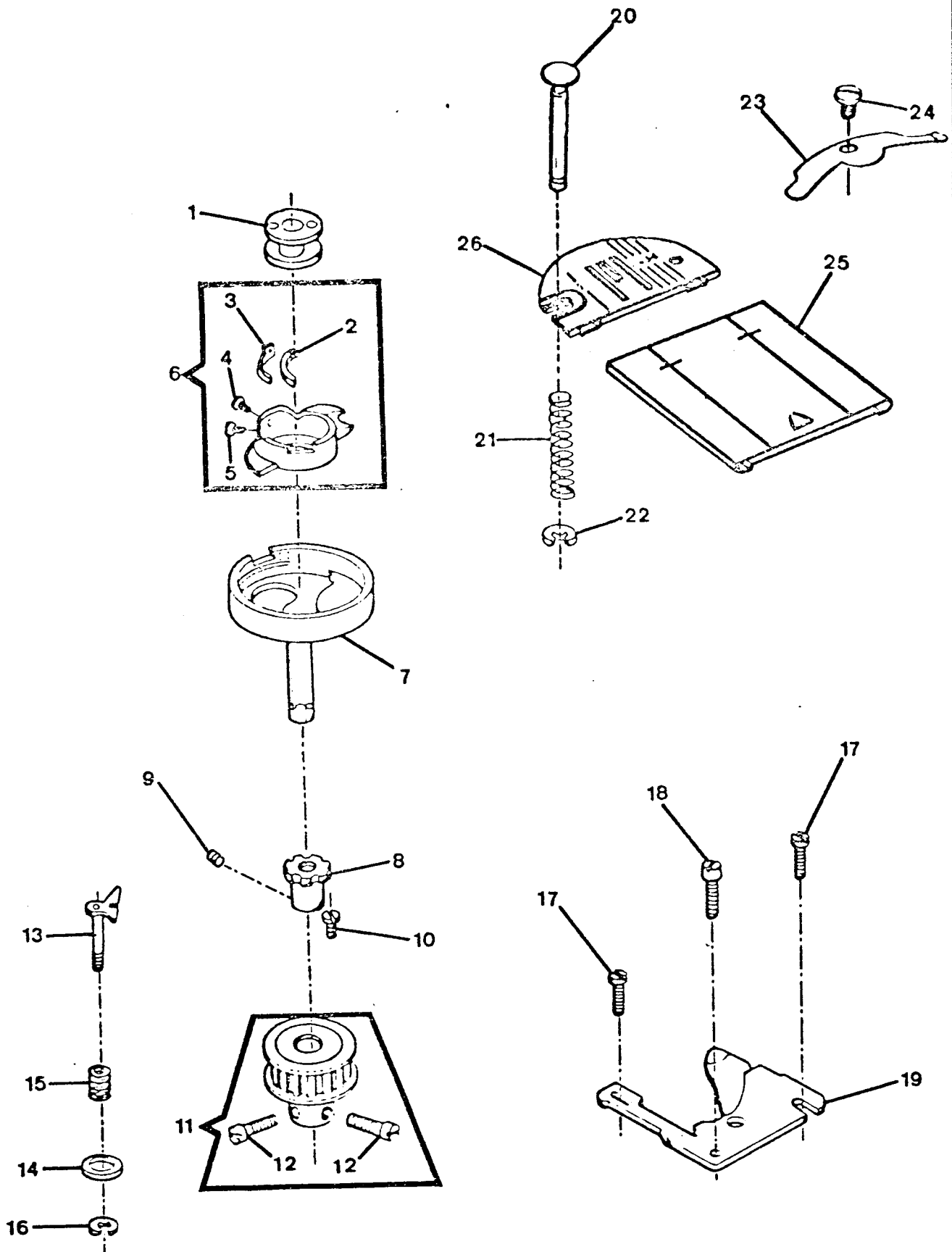
TENSION & BOBBIN WINDER



PART LIST
TENSION & BOBBIN WINDER

REF.	PART NBR	DESCRIPTION	6	6
			0	0
			1	1
			1	2
01	514698-451	SLACK THREAD REGULATOR & TENSION THREAD GUIDE SCREW NUT	X	X
02	446440	THREAD GUIDE (UPPER)	X	X
03	179936-451	SLACK THREAD REGULATOR & TENSION THREAD GUIDE	X	X
04	141808-451	SLACK THREAD REGULATOR & TENSION THREAD GUIDE & THREAD GUIDE (UPPER) SCREW	X	X
05	445126-454	ARM TOP COVER THREAD GUIDE	X	X
06	113342-451	ARM TOP COVER THREAD GUIDE SCREW	X	X
07	353583-451	TENSION COMPLETE	X	X
08	445054-030	TENSION INDICATOR DIAL (WITH GRAPHICS)	X	X
09	446126	TENSION INDICATOR ADAPTER	X	X
10	37984	TENSION MOUNTING BRACKET	X	X
11	125314	TENSION SPRING	X	X
12	44879-478	TENSION SPRING CAP (HOT STAMPED)	X	X
13	45343	THREAD TAKE-UP SPRING THREAD GUARD	X	X
14	2102-001	TENSION DISC (SMALL)	X	X
15	66774-002	THREAD TAKE-UP SPRING	X	X
16	353578	TENSION RELEASING PIN	X	X
17	44454	TENSION STUD	X	X
18	353367-451	TENSION STUD SET SCREW NUT	X	X
19	141803-830	TENSION STUD SET SCREW	X	X
20	445784	THREAD GUIDE (LOWER)	X	X
21	44368	BOBBIN WINDER TENSION COMPLETE	X	X
22	141936-833	BOBBIN WINDER TENSION ADJUSTING SCREW	X	X
23	44794	BOBBIN WINDER TENSION ADJUSTING SCREW RETAINING CLIP	X	X
24	44371	BOBBIN WINDER LEVER RETAINING RING	X	X
25	113458-001	BOBBIN WINDER SPRING MOUNTING PLATE SCREW	X	X
26	446463	BOBBIN WINDER SPRING MOUNTING PLATE & STOP	X	X
27	446477	BOBBIN WINDER SPRING	X	X
28	446465	BOBBIN WINDER LEVER HINGE STUD	X	X
29	15287-701	BOBBIN WINDER FRICTION RING	X	X
30	446469-001	BOBBIN WINDER ASSEMBLY	X	X
31	141920-453	BOBBIN WINDER STOP SCREW	X	X
32	445924	BOBBIN WINDER STOP	X	X
33	53640-819	BOBBIN WINDER STOP SCREW NUT	X	X
34	44633	TENSION DISC (MIDDLE)	X	X
35	531767-001	BOBBIN WINDER ASSEMBLY	X	X
36	531768	BOBBIN WINDER SPINDLE COMPLETE	X	X
37	543531	BOBBIN WINDER SPINDLE WASHER	X	X
38	531770-451	BOBBIN WINDER FRAME	X	X
39	44440-001	BOBBIN WINDER PULLEY	X	X
40	15287-701	BOBBIN WINDER FRICTION RING	X	X
41	445486	BOBBIN WINDER RETAINING RING	X	X
42	531766	BOBBIN WINDER HINGE STUD SPRING	X	X
43	356226-452	TENSION ADAPTOR	X	X

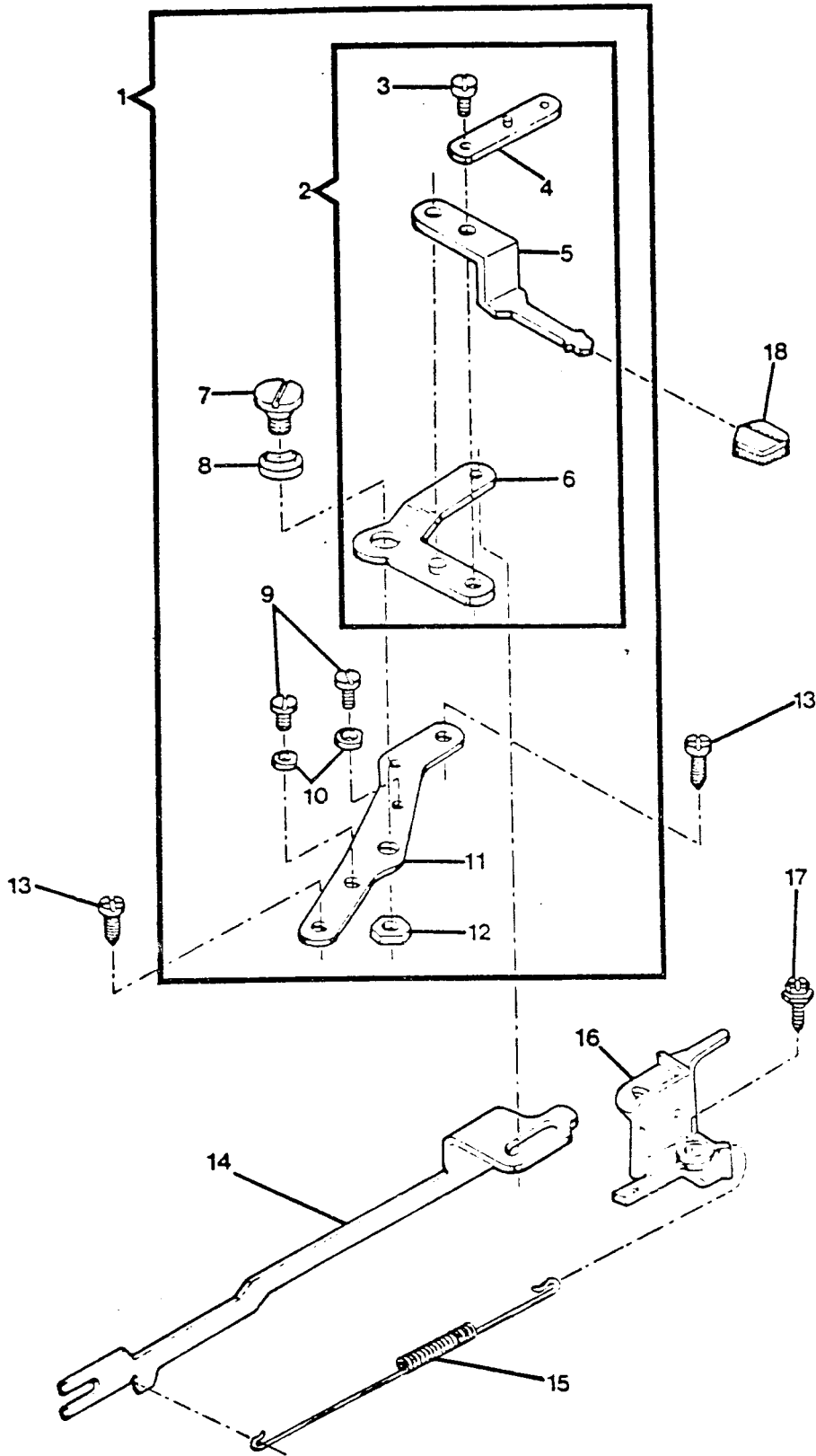
ROTATING HOOK, THROAT PLATE & BED SLIDE



PART LIST
 ROTATING HOOK, THROAT PLATE & BED SLIDE

REF.	PART NBR	DESCRIPTION	6	6
			0	0
			1	1
			1	2
01	172336	BOBBIN (PLASTIC)	X	X
02	310884-451	ROTATING HOOK BOBBIN CASE TENSION SPRING SEGMENT	X	X
03	314715	ROTATING HOOK BOBBIN CASE TENSION SPRING	X	X
04	354183-452	ROTATING HOOK BOBBIN CASE TENSION REGULATING SCREW	X	X
05	139975-452	ROTATING HOOK BOBBIN CASE TENSION SPRING SEGMENT SCREW	X	X
06	421325	ROTATING HOOK BOBBIN CASE COMPLETE	X	X
07	531682	ROTATING HOOK	X	X
08	44512	ROTATING HOOK FLANGED BUSHING (ECCENTRIC)	X	X
09	141925-833	ROTATING HOOK FLANGED BUSHING SET SCREW	X	X
10	139943-803	ROTATING HOOK FLANGED BUSHING (ECCENTRIC) POSITIONING ADJUSTING SCREW	X	X
11	445559	ROTATING HOOK BELT DRIVE PULLEY COMPLETE	X	X
12	354906-451	ROTATING HOOK BELT DRIVE PULLEY SET SCREW	X	X
13	353511	ROTATING HOOK BOBBIN CASE RETAINING PLATE ASSEMBLY	X	X
14	445808	ROTATING HOOK BOBBIN CASE RETAINING PLATE STUD WASHER	X	X
15	44892	ROTATING HOOK BOBBIN CASE RETAINING PLATE STUD SPRING	X	X
16	353509	ROTATING HOOK BOBBIN CASE RETAINING PLATE RING	X	X
17	354917-451	ROTATING HOOK BOBBIN CASE POSITION PLATE SCREW	X	X
18	354917-451	ROTATING HOOK BOBBIN CASE RETAINING PLATE (ADJUSTABLE & POSITION PLATE SCREW)	X	X
19	44873-001	ROTATING HOOK BOBBIN CASE POSITION PLATE	X	X
20	444888	THROAT PLATE CLAMP	X	X
21	444889	THROAT PLATE CLAMP SPRING	X	X
22	445721	THROAT PLATE CLAMP SPRING RETAINING RING	X	X
23	37239	BED SLIDE SPRING	X	X
24	354552-451	BED SLIDE SPRING SCREW	X	X
25	446151	BED SLIDE	X	X
26	531663	THROAT PLATE	X	X

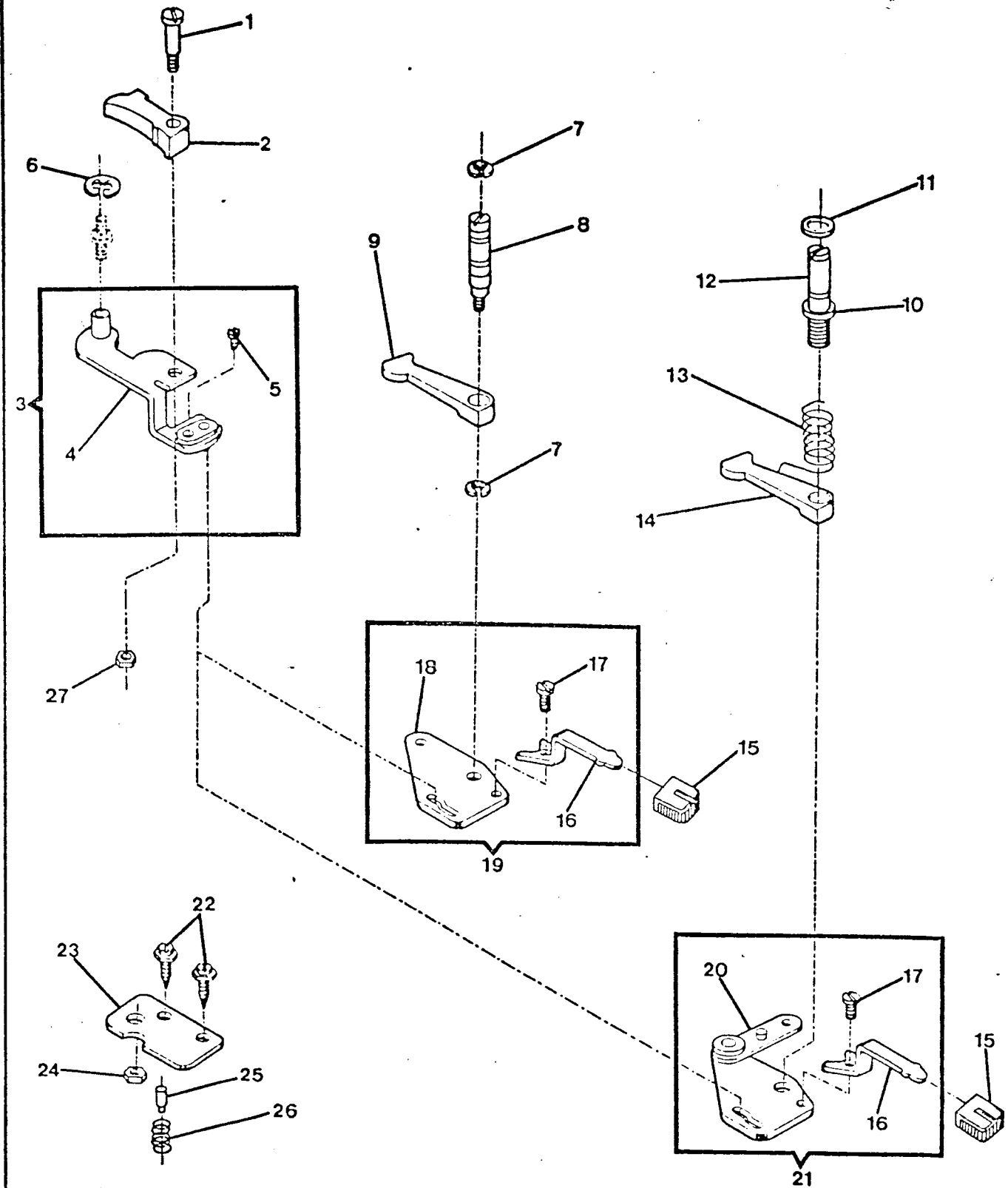
BIGHT AMPLITUDE



PART LIST
BIGHT AMPLITUDE

REF.	PART NBR	DESCRIPTION	6	6
			0	0
			1	1
			1	2
01	446396	BIGHT AMPLITUDE CONTROL LEVER MOUNTING BRACKET COMPLETE	X	
01	179893	BIGHT AMPLITUDE CONTROL LEVER MOUNTING BRACKET COMPLETE		X
02	446395	BIGHT AMPLITUDE CONTROL LEVER SUB-ASSEMBLY	X	
02	446342	BIGHT AMPLITUDE CONTROL LEVER SUB-ASSEMBLY		X
03	141913-451	BIGHT AMPLITUDE CONTROL LEVER SCREW	X	
03	139866-451	BIGHT AMPLITUDE CONTROL LEVER SCREW		X
04	44556	BUTTONHOLER BIGHT CONTROL CAM FOLLOWER LEVER LINK (LEFT)		X
05	446394	BIGHT AMPLITUDE CONTROL LEVER	X	X
06	37246	BIGHT AMPLITUDE CONTROL LEVER LINK	X	X
07	354825-451	BIGHT AMPLITUDE CONTROL LEVER LINK HINGE SCREW	X	X
08	49204	BIGHT AMPLITUDE CONTROL LEVER LINK HINGE SCREW FRICTION WASHER	X	X
09	141913-451	BIGHT AMPLITUDE CONTROL LEVER LINK STOP SCREW	X	X
10	446904	BIGHT AMPLITUDE CONTROL LEVER LINK STOP	X	X
11	531793	BIGHT AMPLITUDE CONTROL LEVER MOUNTING BRACKET	X	X
12	54591	BIGHT AMPLITUDE CONTROL LEVER LINK HINGE SCREW NUT	X	X
13	113455-001	BIGHT AMPLITUDE CONTROL LEVER MOUNTING BRACKET SCREW (LEFT & RIGHT)	X	X
14	37933-001	NEEDLE BAR DRIVING ARM	X	X
15	37942	NEEDLE BAR DRIVING ARM TENSION SPRING	X	X
16	445780	LIGHT LEAD SHIELD & NEEDLE BAR DRIVING ARM TENSION SPRING MOUNTING PLATE	X	X
17	113455-004	LIGHT LEAD SHIELD & NEEDLE BAR DRIVING ARM TENSION SPRING MOUNTING PLATE SCREW	X	X
18	446398-455	BIGHT AMPLITUDE CONTROL LEVER KNOB (PLASTIC)	X	X

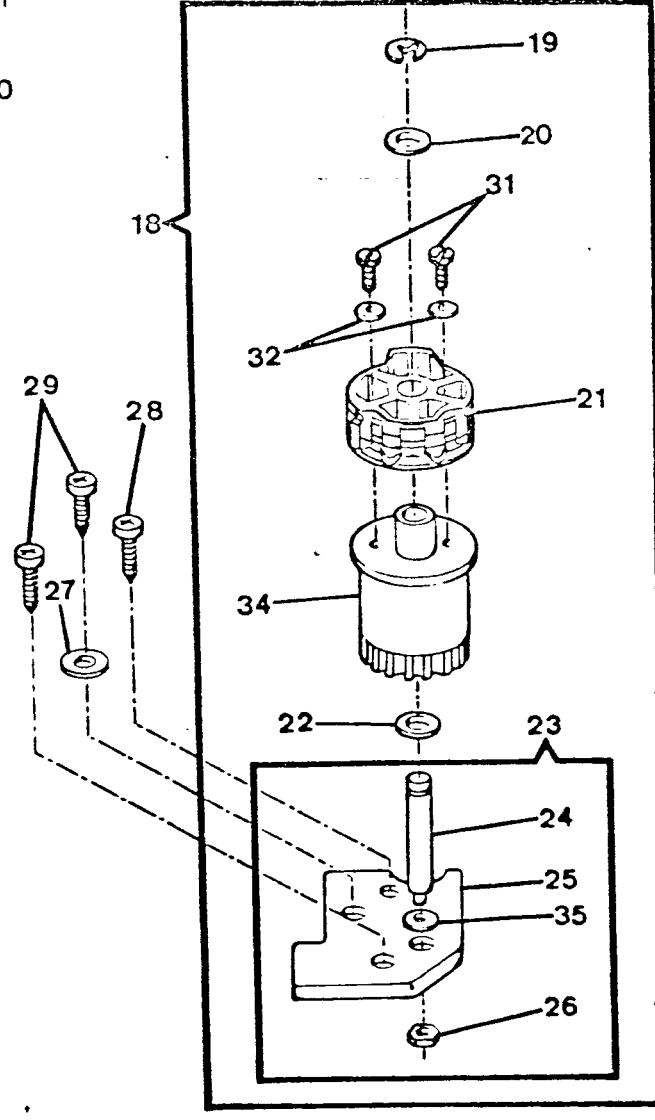
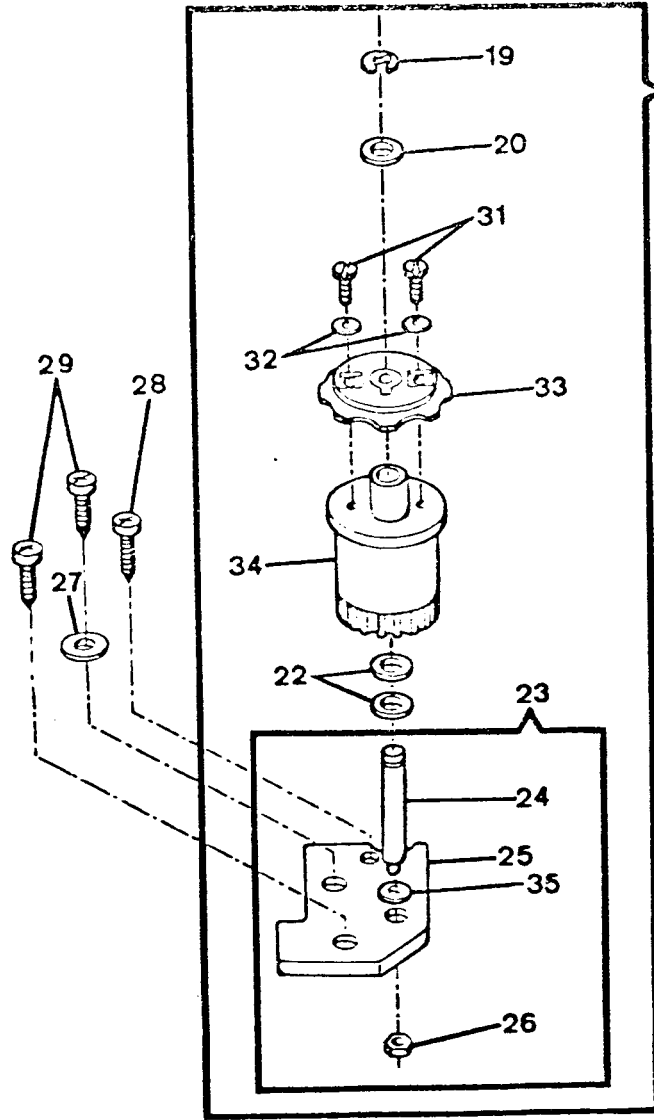
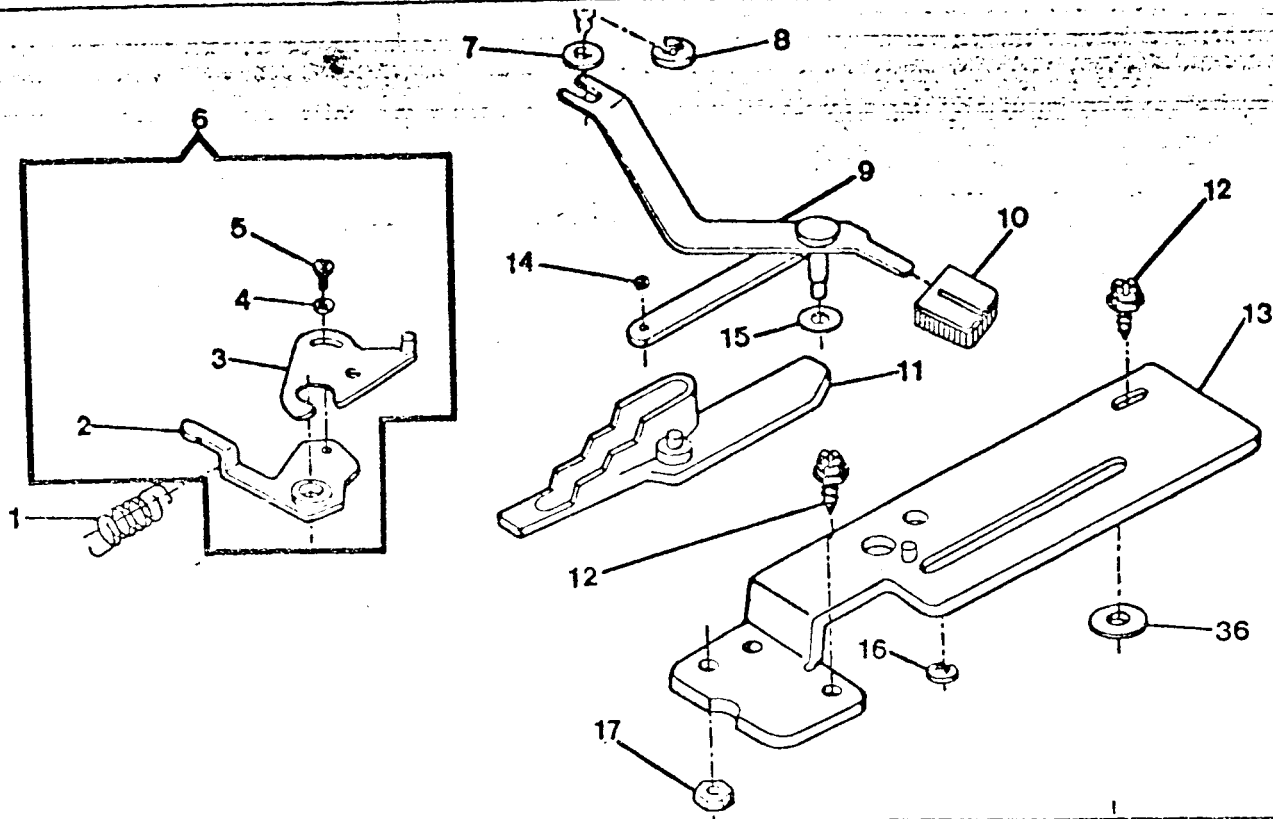
NEEDLE POSITION



PART LIST
NEEDLE POSITION

REF.	PART NBR	DESCRIPTION	6	6
			0	0
			1	1
			1	2
01	355240-451	NEEDLE BAR DRIVING ARM SLIDE SCREW	X	X
02	445841	NEEDLE BAR DRIVING ARM SLIDE	X	X
03	356513	NEEDLE BAR DRIVING ARM SLIDE BRACKET ASSEMBLY	X	X
04	356514	NEEDLE BAR DRIVING ARM SLIDE BRACKET WITH BUSHING	X	X
05	141913-451	NEEDLE POSITION LEVER BRACKET STUD ARM SET SCREW	X	X
06	445721	NEEDLE BAR VIBRATING BRACKET HINGE PIN RETAINING RING	X	X
07	44371	DISC FOLLOWER STUD RETAINING RING (UPPER & LOWER)	X	
08	446023	DISC FOLLOWER STUD	X	
09	445646	DISC FOLLOWER	X	
10	353585	DISC FOLLOWER STUD COLLAR		X
11	353548	DISC FOLLOWER STUD WASHER		X
12	353584	DISC FOLLOWER STUD		X
13	179897	DISC FOLLOWER SPRING		X
14	446404	DISC FOLLOWER (MACHINED)		X
15	446398-455	NEEDLE POSITION SELECTOR LEVER KNOB (PLASTIC)	X	X
16	446397	NEEDLE POSITION SELECTOR LEVER	X	X
17	141913-451	NEEDLE POSITION SELECTOR LEVER SCREW	X	X
18	353547	NEEDLE POSITION SELECTOR LEVER BRACKET	X	X
19	446399	NEEDLE POSITION SELECTOR LEVER ASSEMBLY	X	
20	44628	NEEDLE POSITION SELECTOR LEVER BRACKET		X
21	446400	NEEDLE POSITION SELECTOR LEVER BRACKET COMPLETE		X
22	113455-001	NEEDLE POSITION SELECTOR LEVER MOUNTING PLATE SET SCREW	X	X
23	446401	NEEDLE POSITION SELECTOR LEVER MOUNTING PLATE	X	
24	54591-451	NEEDLE POSITION SELECTOR LEVER BRACKET DISC FOLLOWER STUD NUT	X	X
25	319690	NEEDLE POSITION SELECTOR LEVER BRACKET POSITIONING PIN	X	X
26	444800	NEEDLE POSITION SELECTOR LEVER BRACKET POSITIONING PIN SPRING	X	X
27	618638-005	NEEDLE BAR DRIVING ARM SLIDE SCREW LOCK NUT	X	X

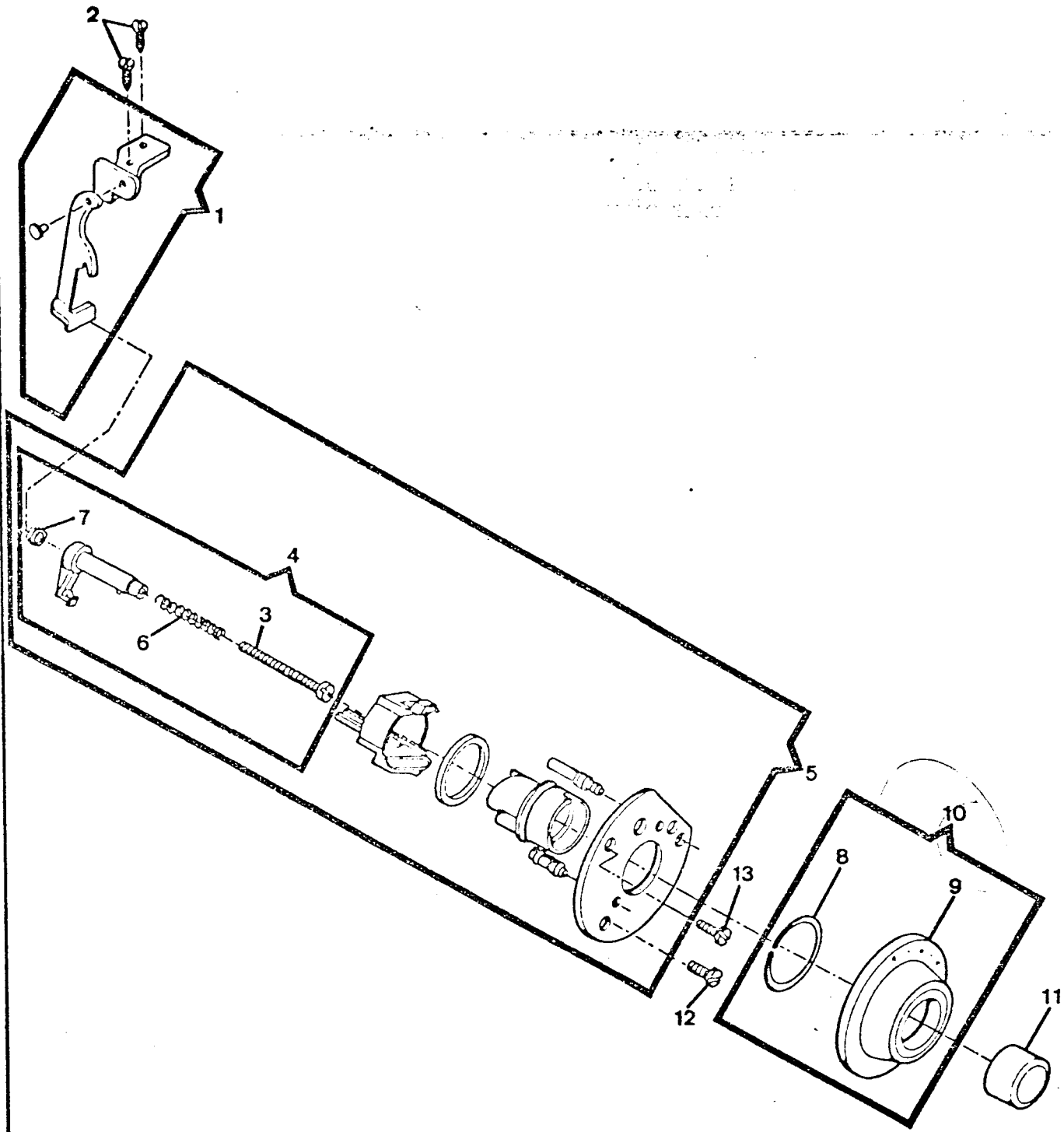
DISC SELECTOR ASSEMBLY & CAM STACK



PART LIST
DISC SELECTOR ASSEMBLY & CAM STACK

REF.	PART NBR	DESCRIPTION	6	6
			0	0
			1	1
			1	2
01	446415	DISC FOLLOWER DISENGAGING LEVER SPRING		X
02	446412	DISC FOLLOWER DISENGAGING LEVER		X
03	446411	DISC FOLLOWER DISENGAGING LEVER PLATE ASSEMBLY		X
04	445808	DISC FOLLOWER DISENGAGING LEVER PLATE ADJUSTING SCREW WASHER		X
05	141913-451	DISC FOLLOWER DISENGAGING LEVER PLATE ADJUSTING SCREW		X
06	446410	DISC FOLLOWER DISENGAGING LEVER PLATE ASSEMBLY		X
07	444923-453	PATTERN SELECTOR LEVER HINGE STUD WASHER		X
08	445486	PATTERN SELECTOR LEVER RETAINING RING		X
09	446383	PATTERN SELECTOR LEVER COMPLETE		X
10	446398-455	NEEDLE POSITION SELECTOR LEVER KNOB (PLASTIC)		X
11	446406	PATTERN SELECTOR CAM SLIDE		X
12	113455-001	PATTERN SELECTOR MOUNTING PLATE SCREW		X
13	446405	PATTERN SELECTOR MOUNTING PLATE COMPLETE		X
14	446417	PATTERN SELECTOR CAM SLIDE CONNECTING LINK RETAINING RING		X
15	446138	PATTERN SELECTOR LEVER DRIVE STUD WASHER		X
16	408030	PATTERN SELECTOR LEVER RETAINING RING		X
17	54591-451	DISC FOLLOWER STUD NUT		X
18	356288-932	DISC DRIVING GEAR COMPLETE		X
19	444921	DISC DRIVING GEAR RETAINING RING	X	X
20	444923-453	DISC DRIVING GEAR SHAFT FRICTION WASHER	X	X
21	353287	DISC STACK		X
22	353424	DISC DRIVING GEAR SHAFT SPACER	X	X
23	446420	DISC DRIVING GEAR SHAFT MOUNTING PLATE ASSEMBLY	X	X
24	446418	DISC DRIVING GEAR SHAFT	X	X
25	353575	DISC DRIVING GEAR SHAFT MOUNTING PLATE	X	X
26	53648-451	DISC DRIVING GEAR SHAFT NUT	X	X
27	353375-451	DISC DRIVING GEAR SHAFT MOUNTING PLATE SCREW WASHER	X	
28	113455-001	DISC DRIVING GEAR SHAFT MOUNTING PLATE SCREW	X	X
29	113435-451	DISC DRIVING GEAR SHAFT MOUNTING PLATE SCREW	X	X
30	446421-931	DISC DRIVING GEAR COMPLETE	X	
31	113375-451	DISC STACK POSITIONING SCREW	X	
31	141920-452	DISC STACK POSITIONING SCREW		X
32	179957-451	DISC STACK POSITIONING SCREW WASHER	X	X
33	445762	DISC STACK (PLASTIC)	X	
34	179958	DISC DRIVING GEAR	X	
34	445754	DISC DRIVING GEAR		X
35	353488	DISC DRIVING GEAR SHAFT WASHER	X	X
36	353488	PATTERN SELECTOR MOUNTING PLATE SPACER		X

FEED REGULATOR CAM

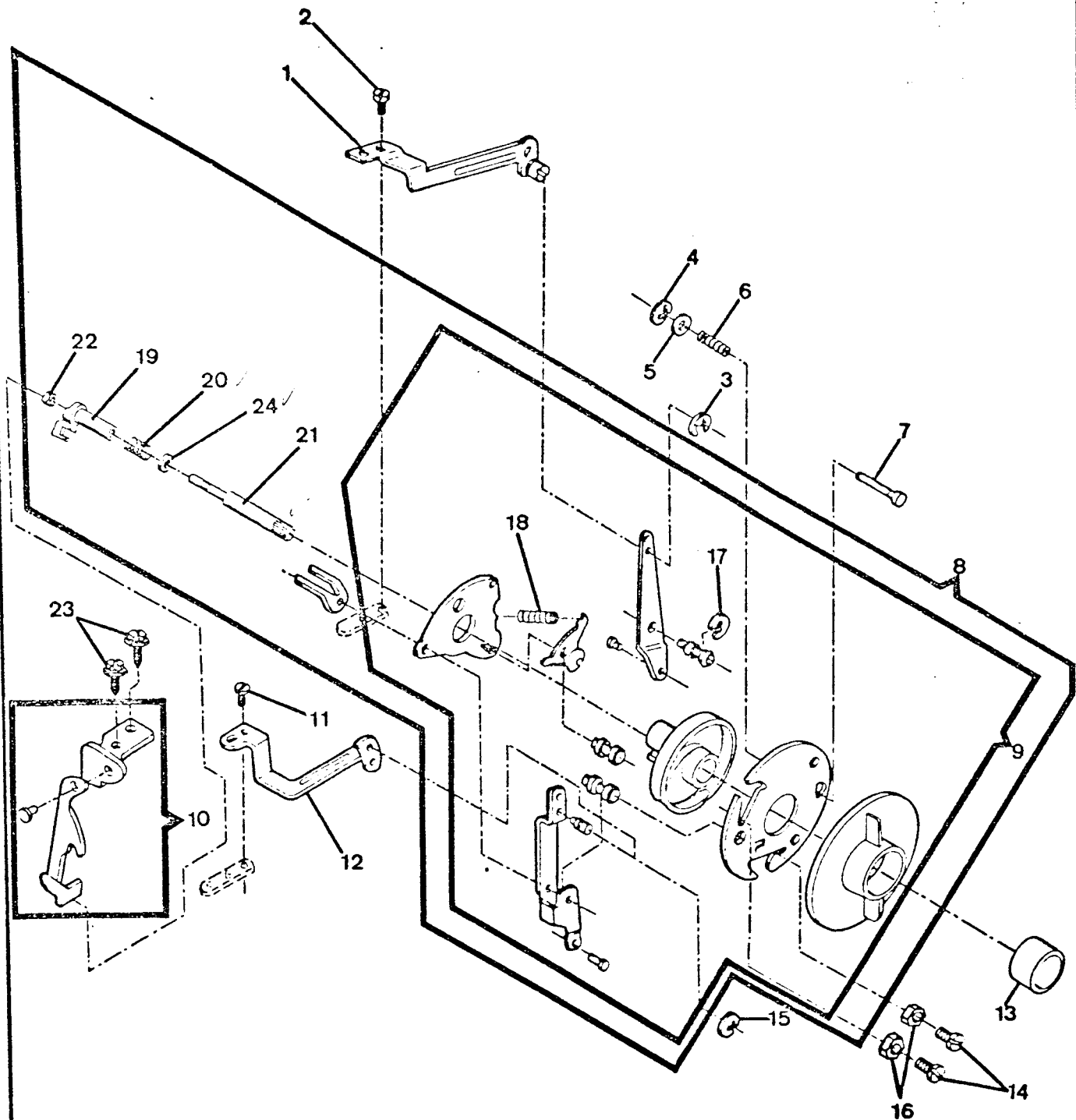


PART LIST
FEED REGULATOR CAM

6 6
0 0
1 1
1 2

REF.	PART NBR	DESCRIPTION	
01	531650	FEED REGULATOR CONTROL ARM ASSEMBLY	X
02	113455-001	FEED REGULATOR CONTROL ARM MOUNTING BRACKET SCREW	X
03	354975-451	FEED REGULATOR CAM FOLLOWER POSITIONING SCREW	X
04	356397	FEED REGULATOR CAM FOLLOWER ASSEMBLY	X
05	353478	FEED REGULATOR CAM COMPLETE	X
06	44892	FEED REGULATOR CAM FOLLOWER POSITIONING SPRING	X
07	618638-005	FEED REGULATOR CAM FOLLOWER POSITIONING SPRING NUT	X
08	445461	FEED REGULATOR CONTROL DIAL RETAINING RING	X
09	446427-451	FEED REGULATOR CONTROL DIAL (HOT STAMPED)	X
10	446428-451	FEED REGULATOR CONTROL DIAL COMPLETE	X
11	179904-451	FEED REGULATOR POSITIONING PIN KNOB (HOT STAMPED)	X
12	531806-451	FEED REGULATOR MOUNTING PLATE SCREW (RIGHT)	X
13	531807-451	FEED REGULATOR MOUNTING PLATE SCREW (LEFT)	X

BUTTONHOLER & FEED REGULATOR CAM

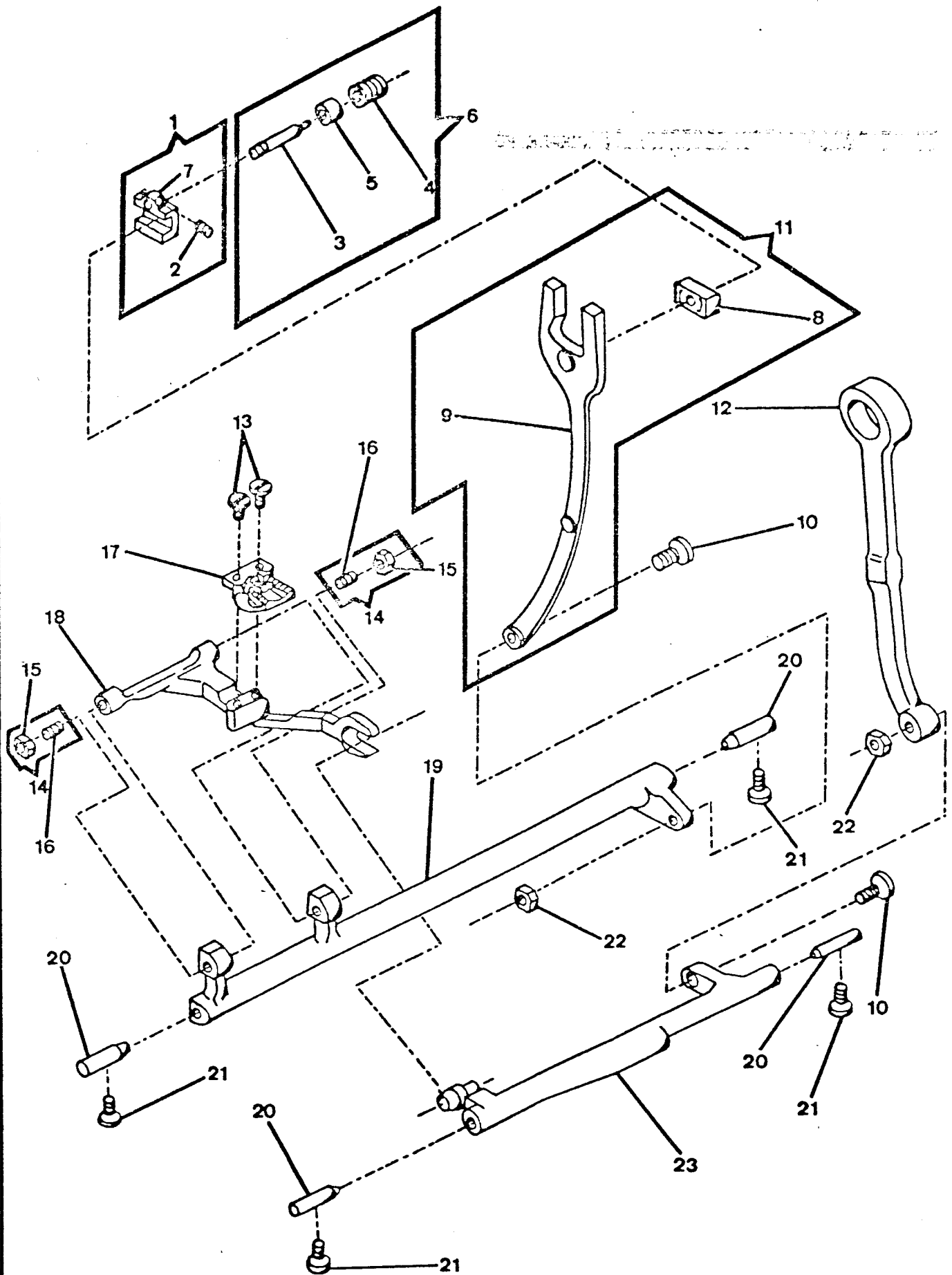


PART LIST
BUTTONHOLER & FEED REGULATOR CAM

6 6
0 0
1 1
1 2

REF.	PART NBR	DESCRIPTION	1	2
01	356233	BUTTONHOLER NEEDLE POSITION CAM FOLLOWER LEVER LINK (RIGHT) ASSEMBLY		X
02	141913-451	BUTTONHOLER NEEDLE POSITION CAM FOLLOWER LEVER LINK (LEFT & RIGHT) SCREW		X
03	445486	BUTTONHOLER NEEDLE POSITION CAM FOLLOWER LEVER LINK (RIGHT) RETAINING RING		X
04	408030	BUTTONHOLER & FEED REGULATOR MECHANISM MOUNTING PLATE STUD RETAINING RING		X
05	445808	BUTTONHOLER & FEED REGULATOR MECHANISM MOUNTING PLATE STUD SPRING WASHER		X
06	179949	BUTTONHOLER & FEED REGULATOR MECHANISM MOUNTING PLATE STUD SPRING		X
07	356230	BUTTONHOLER & FEED REGULATOR MECHANISM MOUNTING PLATE STUD		X
08	356795-454	BUTTONHOLER & FEED REGULATOR CAM COMPLETE		X
09	356796-454	BUTTONHOLER & FEED REGULATOR CAM ASSEMBLY		X
10	531650	FEED REGULATOR CONTROL ARM ASSEMBLY		X
11	141913-451	BUTTONHOLER BIGHT CONTROL CAM FOLLOWER LEVER LINK (LEFT & RIGHT) SCREW		X
12	353551	BUTTONHOLER BIGHT CONTROL CAM FOLLOWER LEVER LINK (RIGHT)		X
13	356654-451	FEED REGULATOR POSITIONING PIN KNOB (HOT STAMPED)		X
14	113513-451	BUTTONHOLER & FEED REGULATOR MECHANISM MOUNTING PLATE SCREW		X
15	445486	BUTTONHOLER BIGHT CONTROL CAM FOLLOWER LEVER LINK (RIGHT) RETAINING RING		X
16	353588-451	BUTTONHOLER & FEED REGULATOR MECHANISM MOUNTING PLATE SCREW NUT INSERT		X
17	353215	BUTTONHOLER NEEDLE POSITION CAM FOLLOWER LEVER RETAINING RING		X
18	353495	BUTTONHOLER & FEED REGULATOR CONTROL DIAL PAWL SPRING		X
19	356652	FEED REGULATOR POSITIONING PIN CARRIER		X
20	44892	FEED REGULATOR POSITIONING PIN FRICTION SPRING		X
21	356650	FEED REGULATOR POSITIONING PIN		X
22	618638-005	FEED REGULATOR POSITIONING PIN CARRIER INSERT NUT		X
23	113455-001	FEED REGULATOR CONTROL ARM MOUNTING BRACKET SCREW		X
24	356830-001	FEED REGULATOR POSITIONING PIN WASHER		X

FEED SYSTEM

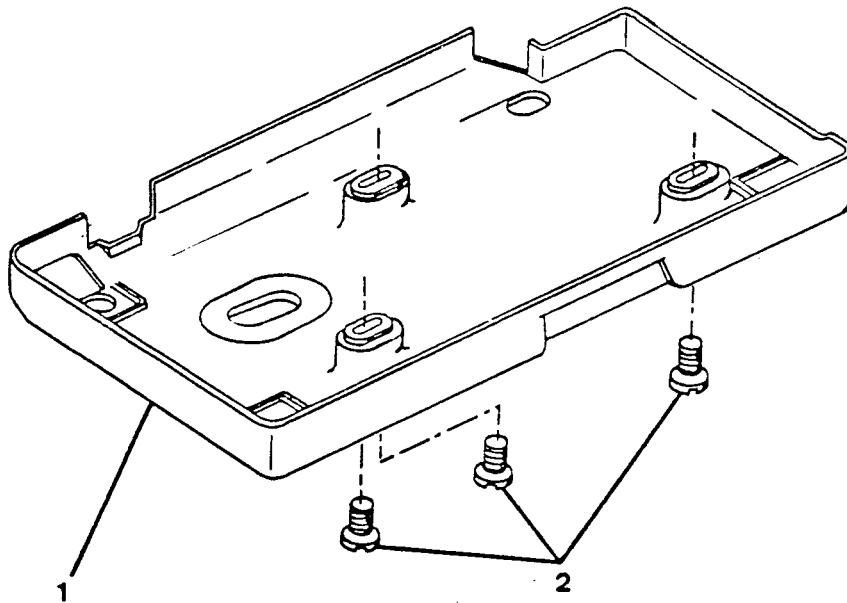
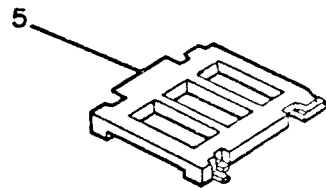
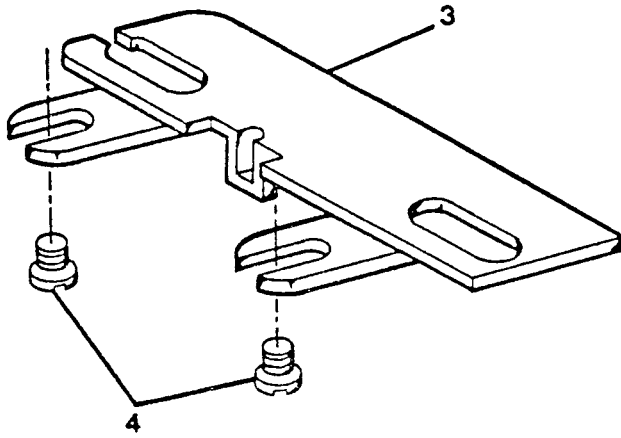


PART LIST
FEED SYSTEM

6 6
0 0
1 1
1 2

REF.	PART NBR	DESCRIPTION	1	2
01	531652	FEED REGULATOR COMPLETE	X	X
02	141925-833	FEED REGULATOR SET SCREW	X	X
03	531818	FEED REGULATOR HINGE STUD	X	X
04	445860	FEED REGULATOR RETURN SPRING	X	X
05	531819	FEED REGULATOR RETURN SPRING	X	X
06	531656	FEED REGULATOR HINGE STUD ASSEMBLY	X	X
07	531653	FEED REGULATOR ASSEMBLY	X	X
08	44437	FEED FORKED CONNECTING SLIDE BLOCK	X	X
09	531669	FEED FORKED CONNECTING WITH STUD	X	X
10	141805-850	FEED LIFTING ROCK SHAFT CONNECTING ROD HINGE SCREW (ECCENTRIC)	X	X
11	531668	FEED FORKED CONNECTING ASSEMBLY WITH SLIDE BLOCK	X	X
12	37288	FEED LIFTING ROCK SHAFT CONNECTING ROD (MACHINED)	X	X
13	141808-452	FEED DOG SCREW	X	X
14	44505	FEED BAR SCREW CENTER	X	X
15	53647-819	FEED BAR SCREW CENTER NUT	X	X
16	141921-850	FEED BAR SCREW CENTER	X	X
17	531667	FEED DOG (MACHINED)	X	X
18	44601	FEED BAR (MACHINED)	X	X
19	531666-900	FEED SHAFT	X	X
20	179880-001	FEED LIFTING ROCK SHAFT CENTER (PLASTIC)	X	X
21	141925-833	FEED LIFTING ROCK SHAFT CENTER SET SCREW	X	X
22	53648-451	FEED FORKED CONNECTING HINGE SCREW (ECCENTRIC NUT)	X	X
23	446153	FEED LIFTING ROCK SHAFT COMPLETE	X	X

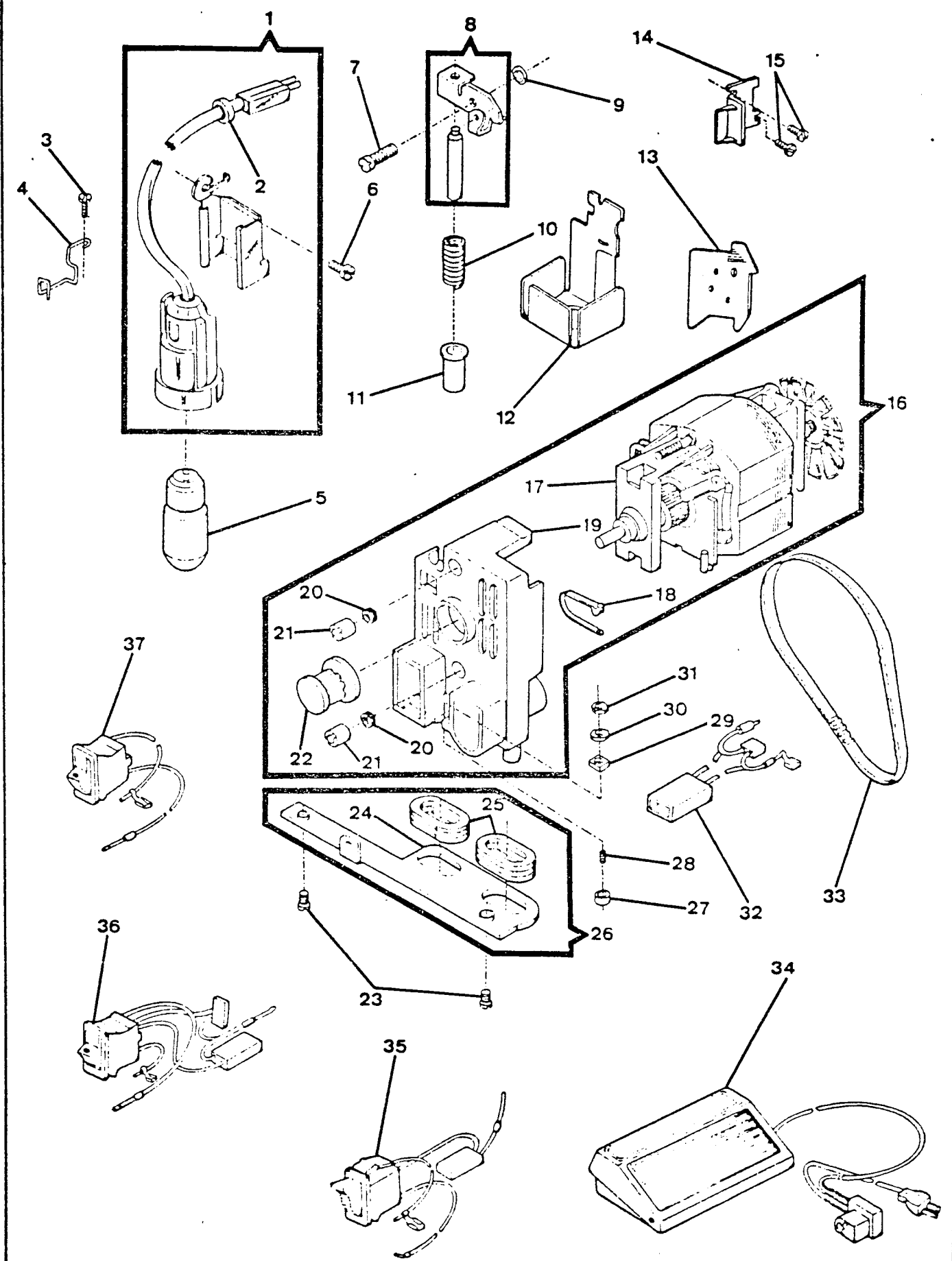
OPTIONS / BOTTOM COVER



PART LIST
 OPTIONS/BOTTOM COVERS

REF.	PART NBR	DESCRIPTION	6	6
			0	0
			1	1
			1	2
01	531671-452	UNDER BED COVER (PLASTIC)	X	X
02	354833-451	UNDER BED COVER SCREW	X	X
03	446263-PR1	BED EXTENSION PLATE	X	X
04	354966-451	BED EXTENSION PLATE SET SCREW	X	X
05	446480	FACE PLATE LIGHT GRILLE	X	X

ELECTRICAL EQUIPMENT



PART LIST
ELECTRICAL EQUIPMENT

REF.	PART NBR	DESCRIPTION	6	6
			0	0
			1	1
			1	2
01		REFER TO CHARTS ON FOLLOWING PAGES	X	X
02	179908	LIGHT LEAD GROMMET	X	X
03	113540-451	LIGHT LEAD WIRE RETAINER MOUNTING SCREW	X	X
04	353247	LIGHT LEAD WIRE RETAINER	X	X
05	988076-001	LAMP (120V)	X	X
05	988076-003	LAMP (220V)	X	X
06	141913-451	LIGHT SOCKET MOUNTING SCREW	X	X
07	113372-451	MOTOR GUIDE PIN MOUNTING BRACKET SCREW	X	X
08	446470	MOTOR GUIDE PIN MOUNTING BRACKET ASSEMBLY	X	X
09	313470-452	MOTOR GUIDE PIN MOUNTING BRACKET SCREW NUT	X	X
10	446473	MOTOR BELT TENSION SPRING	X	X
11	446475	MOTOR GUIDE PIN BUSHING	X	X
12	605087-001	HEAT SHIELD (FOR EUROPE)	X	X
13	179901	LIGHT SHIELD (WITHOUT GRAPHICS)	X	X
13	179910-451	LIGHT SHIELD WITH GRAPHICS (FOR USA/CANADA)	X	X
14	314340-900	LIGHT MOUNTING PLATE (INSULATOR)		X
15	354826-451	LIGHT MOUNTING PLATE SCREW	X	X
16		REFER TO CHARTS ON FOLLOWING PAGES	X	X
17		REFER TO CHARTS ON FOLLOWING PAGES	X	X
18	605600-001	LIGHT LEAD RETAINING (SELF LOCKING CABLE TIE)	X	X
19		REFER TO CHARTS ON FOLLOWING PAGES	X	X
20	604018-003	MOTOR MODULE WASHER	X	X
21	603907-001	MOTOR MODULE NUT	X	X
22	988761-001	MOTOR PULLEY	X	X
23	113370-451	MOTOR MOUNTING PLATE SCREW	X	X
24	446476	MOTOR MOUNTING PLATE	X	X
25	353355	MOTOR MOUNTING PLATE GROMMET	X	X
26	446479	MOTOR MOUNTING PLATE ASSEMBLY	X	X
27	988887-001	MOTOR BELT SCREW CAP	X	X
28	113343-451	MOTOR BELT SCREW	X	X
29	179887	MOTOR BELT SCREW NUT	X	X
30	445439	MOTOR ADJUSTING SCREW LOCK NUT WASHER	X	X
31	353402-451	MOTOR ADJUSTING SCREW LOCK NUT	X	X
32	988768-001	LIGHT RECEPTACLE HARNESS SURPRESSED) COMPLETE	X	X
33	353518-001	MOTOR BELT	X	X
34		REFER TO CHARTS ON FOLLOWING PAGES	X	X
35		REFER TO CHARTS ON FOLLOWING PAGES	X	X
36		REFER TO CHARTS ON FOLLOWING PAGES	X	X
37		REFER TO CHARTS ON FOLLOWING PAGES	X	X

ELECTRICAL EQUIPMENT

		AFRICA & SOUTH AMERICA		SOUTH AFRICA	AUSTRALIA
REF.	2 SPEED UNSURPRESSED	(120V)		(240V)	(240V)
1	LIGHT COMP.				
16	MOTOR COMPLETE				
17	SERIES MOTOR MODULE				
19	COMMUTATOR END				
34	CONTROLLER				
34	CONTROLLER (ALT.)				
35	SWITCH - 2 SPEED				
	2 SPEED SURPRESSED				
1	LIGHT COMP.				
16	MOTOR COMPLETE				
17	SERIES MOTOR MODULE				
19	COMMUTATOR END				
34	CONTROLLER				
34	CONTROLLER (ALT.)				
36	SWITCH - 2 SPEED				
	1 SPEED SURPRESSED				
1	LIGHT COMP.	NP0032-004			
16	MOTOR COMPLETE	988759-004			
17	SERIES MOTOR MODULE	988752-004			
19	COMMUTATOR END	988760-002			
34	CONTROLLER	988274-098			
34	CONTROLLER (ALT.)	979314-022			
37	SWITCH	988763-001			
	1 SPEED SURPRESSED				
1	LIGHT COMP.			NP0032-005	NP0032-003
16	MOTOR COMPLETE			988759-P02	988759-P01
17	SERIES MOTOR MODULE			988752-P02	988752-P01
19	COMMUTATOR END			988760-002	988760-002
34	CONTROLLER			988274-099	988274-057
34	CONTROLLER (ALT.)			979314-030	979314-028
37	SWITCH			988763-001	988763-001