



Operators Manual Model 100T1

100W Soldering Gun



- 1. Soldering Tip
- 2. Screw
- 3. Light
- 4. Switch
- 5. Handle
- 6. Power Cord

| SPECIFICATIONS | |
|----------------|----------|
| Power | 100W |
| Voltage | 120V~ |
| Frequency | 60Hz |
| Insulation | Class II |

Before using the Gun, make sure your voltage and electric current frequency match with the technical information above. The numbers shown here refer to the illustration above.

IMPORTANT

Your new tool has been engineered and manufactured to WEN's® high standards for dependability, ease of operation, and operator safety. Properly cared for, it will give you years of rugged, trouble-free performance.

Pay close attention to the Rules for Safe Operation, Warnings, and Cautions. If you use your tool properly and only for what it is intended, you will enjoy years of safe, reliable service.

USER'S MANUAL

1. Using the Cord (#6), connect the gun to a 120V/60Hz power supply.
2. Holding the gun by the Handle (#5) place the Solder Tip (#1) on the point you wish to solder.
3. Turn on the Switch (#4) and the Light (#3) will shine on.
4. It will take 6 to 8 seconds for the gun to reach temperature (446 degrees F).
5. When finished soldering, turn off the Switch (#4).

As you depress the Switch (#4) the gun will continue to heat up. Do not depress the Switch (#4) for long periods of time while soldering.

When you let go of the Switch (#4), the temperature diminishes quickly. Depressing the Switch (#4) quickly raises the temperature.

Keeping the gun at a constant temperature extends the life of the gun.

Before using the gun, lubricate the Soldering Tip (#1).

This gun is energy efficient as it reaches temperature very quickly.

The shape of the Soldering Tip (#1) allows you to partially contact the workpiece.

MAINTENANCE

The gun and the Soldering Tip (#1) are designed to easily disconnect for occasional replacement.

TIP REPLACEMENT

Unscrew the two screws connecting the Soldering Tip (#1) to the gun. Pull off the old tip, replace it, and replace the two screws.

SPECIFIC SAFETY RULES

1. Before using, verify the electricity requirements and visually inspect the gun and your work stand.
2. Never use the gun in the rain or damp locations.
3. Make sure no foreign objects are in the gun's internal parts.

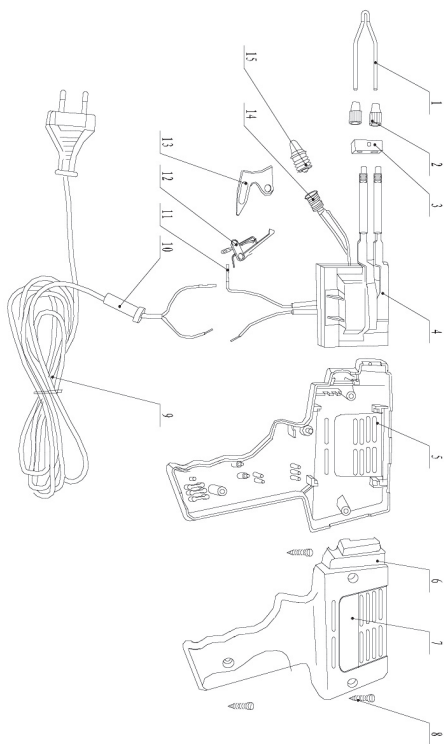
4. Never dismantle the gun. Contact an authorized service technician.
5. Disconnect the gun from the power source when not in use.
6. This gun is primarily designed for indoor use.

SAFETY INSTRUCTIONS

Warning, when using electric tools basic safety precautions should be followed to reduce the risk of fire, electric shock, and personal injury. Read the entire manual before attempting to operate the soldering gun. Save this manual.

1. Keep work area clean, cluttered areas and benches invite injuries.
2. Examine your work area, never expose power tools to rain. Do not use power tools in damp or wet locations. Keep work area well lit. Don't use power tools near flammable liquids or gasoline.
3. Guard against electric shock, prevent body contact with grounded surfaces (pipes, radiators, ranges, refrigerators) when open operating power tools.
4. Keep children away from power tools, do not let anyone contact the tool or the power cord. Keep all visitors out of the work area.
5. Store idle tools, when not in use, tools should be stored in a dry, out of reach, or locked location, away from children.
6. Do not force tool, it will operate more efficiently and safer at the normal rate it was designed for.
7. Use right tool, don't force small tools to do the job of heavy tools. Operate tools for intended use only.
8. Dress properly, do not wear loose clothing or jewelry. They may become caught in moving parts. Rubber gloves and non-skid footwear are recommended when working outdoors. Wear a protective hair covering to contain long hair.
9. Use proper safety glasses, if necessary, use a face shield or dust mask.
10. Don't abuse cord, never carry the tool by the cord or yank it out of a power receptacle. Keep cord away from heat, all liquids, and sharp edges.

11. Don't over reach, keep proper footing and balance at all times.
12. Maintain tools with care, for safety and performance, keep tools clean and sharp. Follow regular maintenance procedures. Inspect tool cords and extension cords periodically. If damaged, use a certified service technician to repair. Keep handle dry, clean, and free from grease or oil.
13. Disconnect tools, when not in use, servicing, or performing maintenance.
14. Remove adjusting keys and wrenches, before turning on the tool, make sure no adjustment keys or tools are connected to the tool.
15. Avoid unintentional starting, never carry a plugged in tool with your finger on the switch. Turn switch off before plugging it in.
16. When working outdoors, use outdoor rated extension cords.
17. Stay alert, use common sense. Pay attention to your work. Do not operate tool when overtired.
18. Check for damaged parts before using, to insure safe operation. Check alignment of moving parts, for broken parts, binding of moving parts, proper mounting, and any conditions that might affect safe operation. Any guard or part that is damaged should be replaced or repaired by a authorized service technician. Do not use the tool if switch does not turn on or off properly. Have defective switches replaced by an authorized service technician.
19. **WARNING**
Use of any accessory or attachment other than those recommended in this manual may present the risk of personal injury.
20. Authorized service technician repairs only. This electric power tool is must only be repaired by an authorized service center. Do not repair yourself or you may cause damage to the tool and put yourself in danger.



| NO. | STOCK NO. | DESCRIPTION |
|-----|-----------|-----------------------|
| 1 | 100T1-001 | Soldering Tip |
| 2 | 100T1-002 | Movable elastic |
| 3 | 100T1-003 | Heat insulation plate |
| 4 | 100T1-004 | Transformer |
| 5 | 100T1-005 | Cabinet(a) |
| 6 | 100T1-006 | Cabinet(b) |
| 7 | 100T1-007 | Nameplate |
| 8 | 100T1-008 | Screw |
| 9 | 100T1-009 | Cord |
| 10 | 100T1-010 | Cord armor |
| 11 | 100T1-011 | Terminal board |
| 12 | 100T1-012 | Switch |
| 13 | 100T1-013 | Push button |
| 14 | 100T1-014 | Bulb Socket |
| 15 | 100T1-015 | Bulb |

SAVE THESE INSTRUCTIONS.

WARRANTY

WEN Products is committed to build tools that are dependable for years. Our warranties are consistent with this commitment and our dedication to quality

LIMITED WARRANTY OF WEN CONSUMER POWER TOOLS PRODUCTS FOR HOME USE GREAT LAKES TECHNOLOGIES, LLC ("Seller") warrants to the original purchaser only, that all WEN

consumer power tools will be free from defects in material or workmanship for a period of one year from date of purchase. Ninety days for all WEN products, if the tool is used for professional use.

SELLER'S SOLE OBLIGATION AND YOUR EXCLUSIVE REMEDY under this Limited Warranty and, to the extent permitted by law, any warranty or condition implied by law, shall be the repair or replacement of parts, without charge, which are defective in material or workmanship and which have not been misused, carelessly handled, or misrepaired by persons other than Seller or Authorized Service Center. To make a claim under this Limited Warranty, you must return the complete power tool product; transportation prepaid, to Great Lakes Technologies, LLC – 501 Davis Road – Elgin, IL. 60123 with a copy of the original receipt which is legible and clearly defines Date of Purchase including month and year and Place of Purchase.

THIS LIMITED WARRANTY DOES NOT APPLY TO ACCESSORY ITEMS SUCH AS CIRCULAR SAW BLADES, DRILL BITS, ROUTER BITS, JIGSAW BLADES, SANDING BELTS, GRINDING WHEELS AND OTHER RELATED ITEMS.

ANY IMPLIED WARRANTIES SHALL BE LIMITED IN DURATION TO ONE YEAR FROM DATE OF PURCHASE. SOME STATES IN THE U.S., SOME CANADIAN PROVINCES DO NOT ALLOW LIMITATIONS ON HOW LONG AN IMPLIED WARRANTY LASTS, SO THE ABOVE LIMITATION MAY NOT APPLY TO YOU.

IN NO EVENT SHALL SELLER BE LIABLE FOR ANY INCIDENTAL OR CONSEQUENTIAL DAMAGES (INCLUDING BUT NOT LIMITED TO LIABILITY FOR LOSS OF PROFITS) ARISING FROM THE SALE OR USE OF THIS PRODUCT. SOME STATES IN THE U.S. AND SOME CANADIAN PROVINCES DO NOT ALLOW THE EXCLUSION OR LIMITATION OF INCIDENTAL OR CONSEQUENTIAL DAMAGES, SO THE ABOVE LIMITATION OR EXCLUSION MAY NOT APPLY TO YOU.

THIS LIMITED WARRANTY GIVES YOU SPECIFIC LEGAL RIGHTS, AND YOU MAY ALSO HAVE OTHER RIGHTS WHICH VARY FROM STATE TO STATE IN THE U.S., PROVINCE TO PROVINCE IN CANADA AND FROM COUNTRY TO COUNTRY.

THIS LIMITED WARRANTY APPLIES ONLY TO PORTABLE ELECTRIC TOOLS, BENCH POWER TOOLS, OUTDOOR POWER EQUIPMENT AND PNEUMATIC TOOLS SOLD WITHIN THE UNITED STATES OF AMERICA, CANADA AND THE COMMONWEALTH OF PUERTO RICO. FOR WARRANTY COVERAGE WITHIN OTHER COUNTRIES, CONTACT THE WEN CUSTOMER SUPPORT.



It's not how, it's WEN the project get's done!

**Product Questions or Technical Support?
Please Feel Free to Contact Us!**



WenProducts.com



800- 232-1195 M-F 8-5 CST



techsupport@wenproducts.com