

SINGER

**SM14/FM17/5825/CM17/57825/FM22/
5830/5838**

INDEX

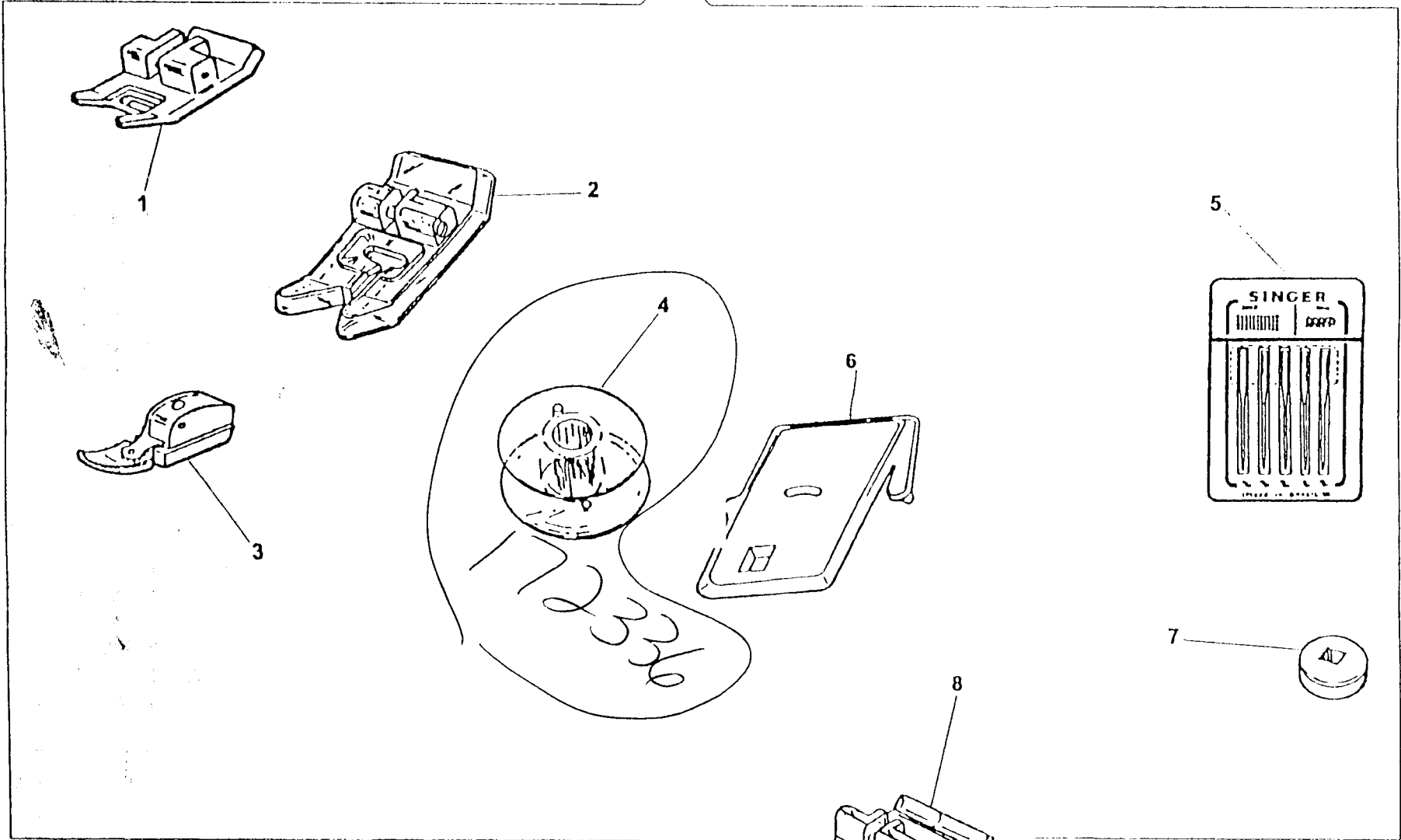
PAGE NBR.

SUB-ASSEMBLY

01 , 02	ATTACHMENT SET
03 , 04	ADDITIONAL ACCESSORIES (OVER-THE-COUNTER)
05 , 06	ARM, BED, THROAT PLATE & BED SLIDE
07 , 08	ARM, TOP COVER
09 , 10	COVERS & ADD-ONS
11 , 13	NEEDLE BAR
14 , 15	PRESSER BAR
16 , 17	ARM SHAFT DRIVE
18 , 19	HAND WHEEL
20 , 21	TENSION MECHANISM
22 , 23	HOOK SYSTEM
24 , 25	BIGHT AMPLITUDE
26 , 29	NEEDLE POSITION
30 , 33	PATTERN SELECTOR
34 , 35	CAM STACK
36 , 37	FEED REGULATOR CAM
38 , 39	BUTTONHOLER & FEED REGULATOR CAM
40 , 41	CAM CONTROLLED FEED
42 , 43	FEED SYSTEM
44 , 46	ELECTRICAL EQUIPMENT

ATTACHMENT SET

9



REV: _____
DATE: JAN/99

**PART LIST
ATTACHMENT 5...**

**S F 5 C 5 F 5
M M 8 M 7 M 8
1 1 2 1 8 2 3 3
4 7 5 7 2 2 0 8
5**

REF. PART NBR

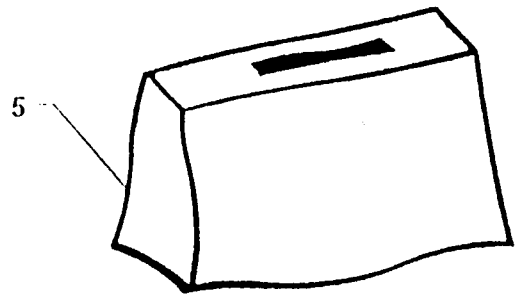
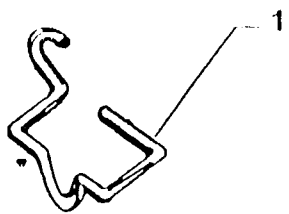
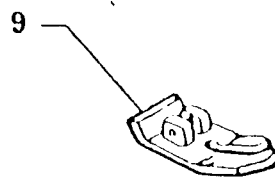
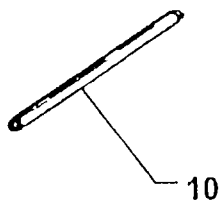
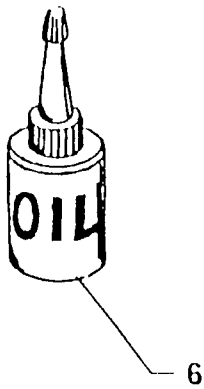
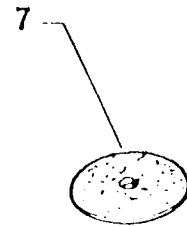
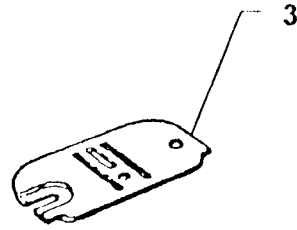
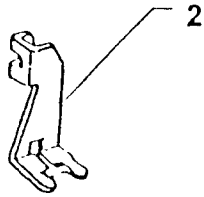
DESCRIPTION

REF. PART NBR	DESCRIPTION	S	F	5	C	5	F	5	M	M	8	M	7	M	8	1	1	2	1	8	2	3	3	4	7	5	7	2	2	0	8	5		
01 446492-451	SPECIAL PURPOSE PRESSER FOOT PLATE (SNAP-ON)	-	-	X	X	X	X	X	X	X	X	X	X	X	X																			
02 161927	PRESSER FOOT PLATE (SNAP-ON) FOR SEWING BUTTONHOLES	-	-	X	X	X	X	X	X	X	X	X	X	X	X																			
03 507836	PRESSER FOOT PLATE (SNAP-ON) COMPLETE FOR CORDING & SLIDE FASTERNERS	-	-	X	X	X	X	X	X	X	X	X	X	X	X																			
04 172336	BOBBIN (PLASTIC)	X	X	X	X	X	X	X	X	X	X	X	X	X	X																			
05 353364	NEEDLE PACK (INCLUDES 1 EA. N2020 SIZE 11/14/15 & N2045 SIZE 11/14)	X	X	X	X	X	X	X	X	X	X	X	X	X	X																			
06 313117	FEED COVER PLATE (PLASTIC)	X	X	X	X	X	X	X	X	X	X	X	X	X	X																			
07 179967-461	ARM TOP COVER SPOOL PIN THREAD LEAD-OFF (SMALL PLASTIC)	X	X	X	X	X	X	X	X	X	X	X	X	X	X																			
08 356630	BLIND STITCH GUIDE	-	-	X	X	X	X	X	X	X	X	X	X	X	X																			
09 357031	ATTACHMENT SET COMPLETE	X	X	-	-	-	-	-	-	-	-	-	-	-	-																			
09 357030	ATTACHMENT SET COMPLETE	-	-	X	X	X	X	X	X	X	X	X	X	X	X																			

SM-14, FM17, 5825, CM-17, 57825, FM-22, 5830, 5838 Models.
PIN 357675-001.

Adopt.

ADDITIONAL ACCESSORIES (OVER-THE-COUNTER)



REV: _____
DATE: JAN/99

PARTS LIST
ADDITIONAL ACCESSORIES(OVER-THE-COUNTER)

S F 5 C 5 F 5 5
M M 8 M 7 M 8 8
1 1 2 1 8 2 3 3
4 7 5 7 2 2 0 8
5

REF. PART NBR

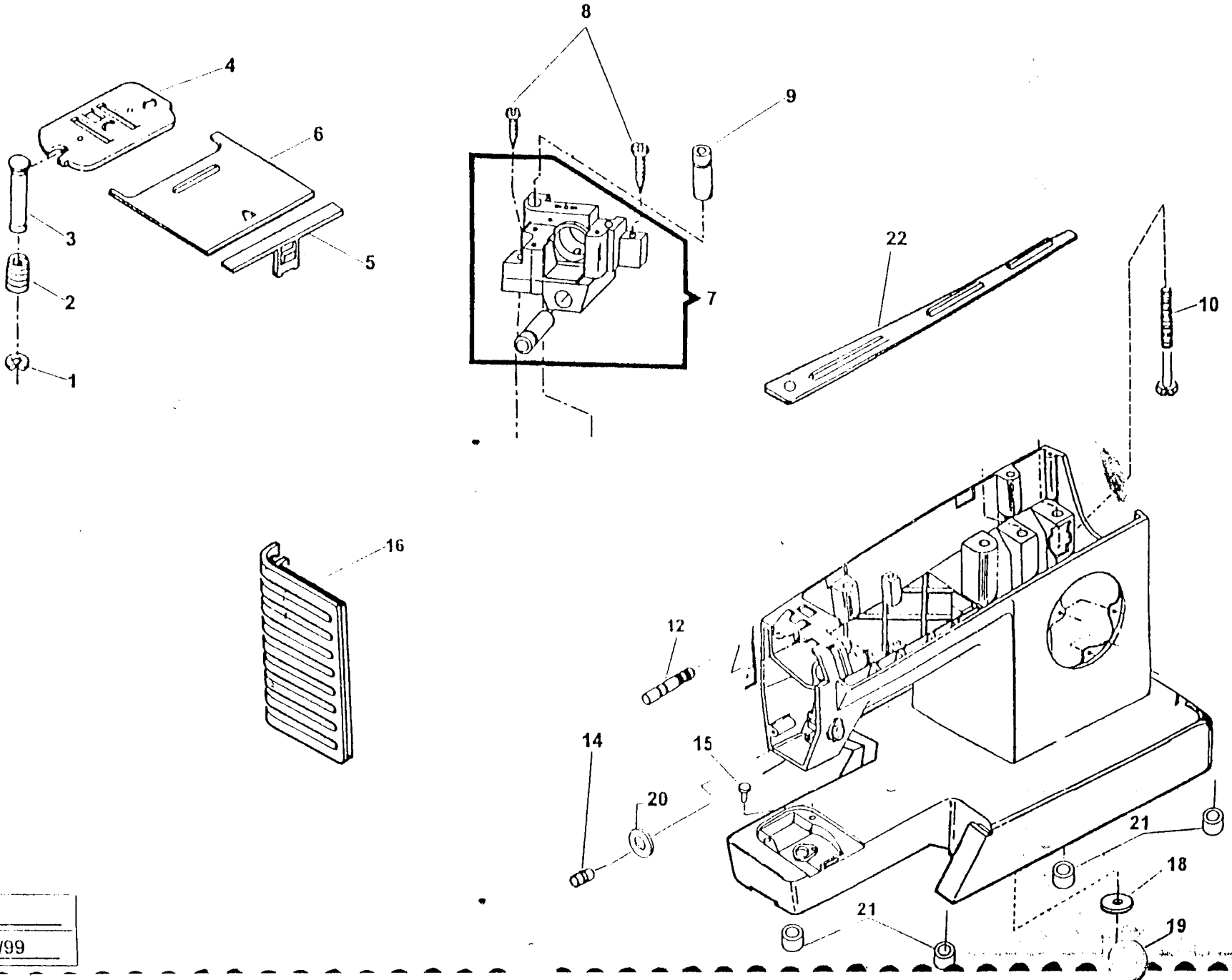
DESCRIPTION *

01 116863	FINGER GUARD	X X X X X X X X
02 179911	PRESSER FOOT FOR BUTTON SEWING	X X X X X X X X
03 ¹⁷¹³⁹² 313066	NEEDLE PLATE FOR STRAIGHT STITCH SEWING	X X X X X X X X
05 356392-452	DUST COVER (SOFT VINYL)	X X X X X X X X
06 357004-001	OIL CONTAINER COMPLETE	X X X X X X X X
07 8879-656	SPOOL PIN FELT FOR TWIN NEEDLE	X X X X X X X X
08 531868	NEEDLE PACK (ONE TWIN NEEDLE 2025-14)	X X X X X X X X
09 153267	PRESSER FOOT PLATE (SNAP-ON) FOR STRAIGHT STITCH	X X X X X X X X
10 356942-453	SPOOL PIN FOR TWIN NEEDLE	X X X X X X X X

SM-14, FM17, 5825, CM-17, 57825, FM-22, 5830, 5838 Models.
P/N 357675-001.

Adopt.

ARM, BED, THROAT PLATE & BED SLIDE



REV: _____

DATE JAN/99

PARTS LIST
ARM, BED, THROAT PLATE & BED SLIDE

S F 5 C 5 F 5 5
M M 8 M 7 M 8 8
1 1 2 1 8 2 3 3
4 7 5 7 2 2 0 8
5

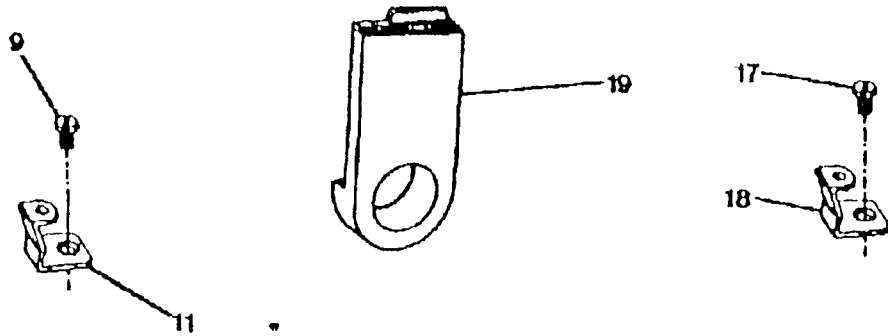
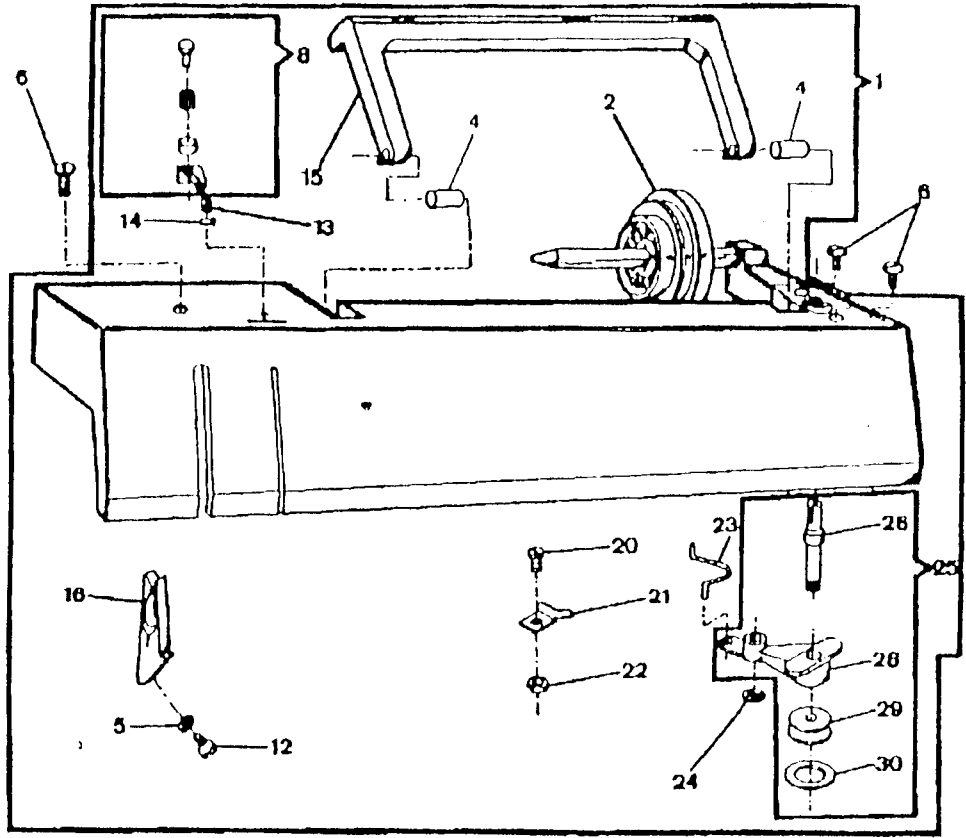
REF. PART NBR	DESCRIPTION								
01 179926	THROAT PLATE CLAMP SPRING RETAINING RING								
02 357611	THROAT PLATE CLAMP SPRING								
03 353597	THROAT PLATE CLAMP								
04 356713	THROAT PLATE FOR ZIG-ZAG SEWING								
05 446482	BED SLIDE SPRING (SNAP-ON)								
06 356715	BED SLIDE								
07 357017-002	ARM SHAFT (REAR) HOUSING ASSEMBLY								
08 113455-006	ARM SHAFT (REAR) HOUSING MOUNTING SCREW								
09 357019	ARM TOP COVER SUPPORT STUD								
10 357020-451	ARM SHAFT (REAR) HOUSING MOUNTING BOLT								
12 446375	THREAD TAKE-UP LEVER LINK HINGE STUD								
14 357438-001	TENSION RELEASING LEVER HINGE PIN								
15 353624	THROAT PLATE POSITION PIN								
16 353360-45X	ARM INSERT MOTOR VENT GRILL								
17 355250-451	BED (BOTTOM) COVER & GABINET BOLT								
18 353375-451	BED (BOTTOM) COVER & GABINETE BOLT WASHER								
19 514608	BED (BOTTOM) COVER & GABINET BOLT NUT								
20 357464-002	TENSION RELEASING LEVER HINGE PIN WASHER								
21 353559-451	UNDER BED COVER CUSHION								
22 356049-901	FILLER PLATE								
22 356111-452	FILLER PLATE								
22 356112-452	FILLER PLATE								
22 356777-452	FILLER PLATE								

REF.	NEW P/N	IN PLACE OF	IMPLEMENTATION DATE
02	357611	353494	04/14/97
04	356713	312777	07/17/95
06	356715	446481	07/17/95
07	357017-002	446347-002	02/03/94
09	357019	446465-001	02/03/94
10	357020-451	446349-451	02/03/94
14	357438-001	446358	02/21/97

SM-14, FM17, 5825, CM-17, 57825, FM-22, 5830, 5838 Models.
P/N 357675-001.

Adopt.

ARM TOP COVER



REV: _____
DATA: __JAN/99__

**PART LIST
ARM TOP COVER**

S F 5 C 5 F 5 .
M M 8 M 7 M 8 8
1 1 2 1 8 2 3 3
4 7 5 7 2 2 0 8
5

REF. PART NBR

DESCRIPTION

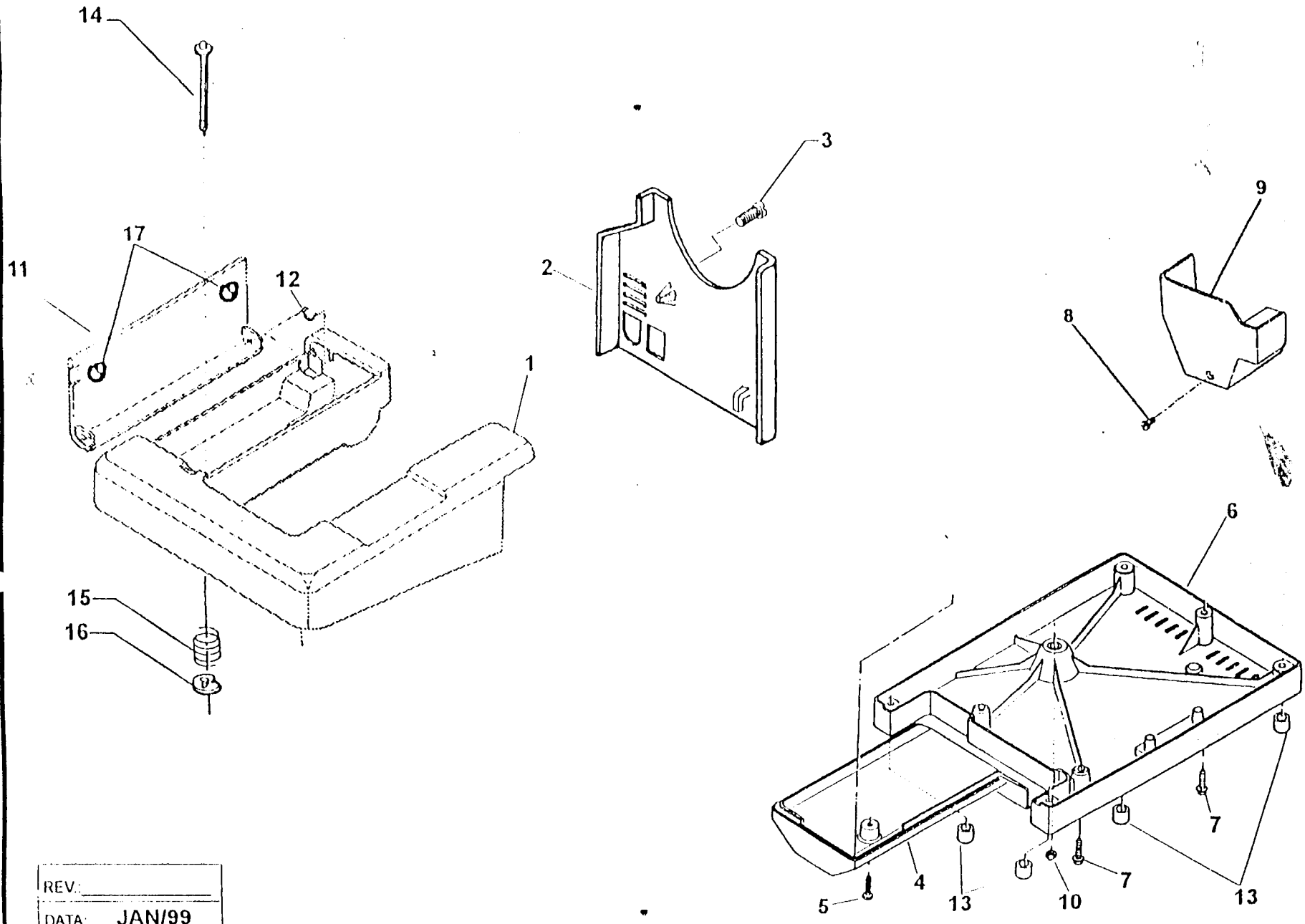
REF. PART NBR	DESCRIPTION	S	F	5	C	5	F	5	.
01 356811-XXX	ARM TOP COVER COMPLETE	X	X	X	X	X	X	X	-
01 356880-XXX	ARM TOP COVER COMPLETE	-	-	-	-	-	-	-	X
02 179967-461	ARM TOP COVER SPOOL PIN THREAD LEAD-OFF	X	X	X	X	X	X	X	X
04 357325-900	ARM TOP COVER MACHINE HANDLE HINGE PIN	X	X	X	X	X	X	X	X
05 446138	ARM TOP COVER THREAD GUIDE SCREW WASHER	X	X	X	X	X	X	X	X
06 354895-453	ARM TOP COVER SCREW	X	X	X	X	X	X	X	X
08 356047	BOBBIN WINDER TENSION COMPLETE	X	X	X	X	X	X	X	X
09 354826-451	ARM TOP COVER MOUNTING BRACKET SCREW	X	X	X	X	X	X	X	X
11 531765	ARM TOP COVER BRACKET (LEFT)	X	X	X	X	X	X	X	X
12 356116-451	ARM TOP COVER THREAD GUIDE SCREW	X	X	X	X	X	X	X	X
13 141936-833	BOBBIN WINDER TENSION BRACKET ADJUSTING SCREW	X	X	X	X	X	X	X	X
14 44794	BOBBIN WINDER TENSION BRACKET ADJUSTING SCREW RETAINING CLIP	X	X	X	X	X	X	X	X
15 357338-900	ARM TOP COVER MACHINE HANDLE	X	X	X	X	X	X	X	X
16 357084-451	ARM TOP COVER THREAD GUIDE	X	X	X	X	X	X	X	X
17 113455-001	ARM TOP COVER MOUNTING BRACKET (RIGHT) SCREW	X	X	X	X	X	X	X	X
18 356178	ARM TOP COVER MOUNTING BRACKET (RIGHT)	X	X	X	X	X	X	X	X
19 356173-453	ARM TOP COVER SHROUDER	X	X	X	X	X	X	X	X
20 141920-455	BOBBIN WINDER STOP SCREW	X	X	X	X	X	X	X	X
21 445924	BOBBIN WINDER STOP	X	X	X	X	X	X	X	X
22 53640-819	BOBBIN WINDER STOP SCREW NUT	X	X	X	X	X	X	X	X
23 531766	BOBBIN WINDER SPRING	X	X	X	X	X	X	X	X
24 445486	BOBBIN WINDER RETAINING RING	X	X	X	X	X	X	X	X
25 531767-452	BOBBIN WINDER ASSEMBLY	X	X	X	X	X	X	X	X
26 356913	BOBBIN WINDER SPINDLE COMPLETE	X	X	X	X	X	X	X	X
28 354633-453	ARM TOP COVER HANDLE BRACKET	X	X	X	X	X	X	X	X
29 531770-452	BOBBIN WINDER FRAME	X	X	X	X	X	X	X	X
28 15287-701	BOBBIN WINDER FRICTION RING	X	X	X	X	X	X	X	X

NOTE: PLEASE WHEN NEED THE PART NUMBER(-----XXX), INDICATE THE MACHINE MODEL WHERE WILL BE USED.

SM-14, FM17, 5825, CM-17, 57825, FM-22, 5830, 5838 Models.
PIN 357675-001.

Adopt.

COVERS & ADD-ONS



REV: _____
DATA: JAN/99

**PART LIST
COVERS AND ADD-ONS**

**S F 5 C 5 F 5 5
M M 8 M 7 M 8 8
1 1 2 1 8 2 3 3
4 7 5 7 2 2 0 8
5**

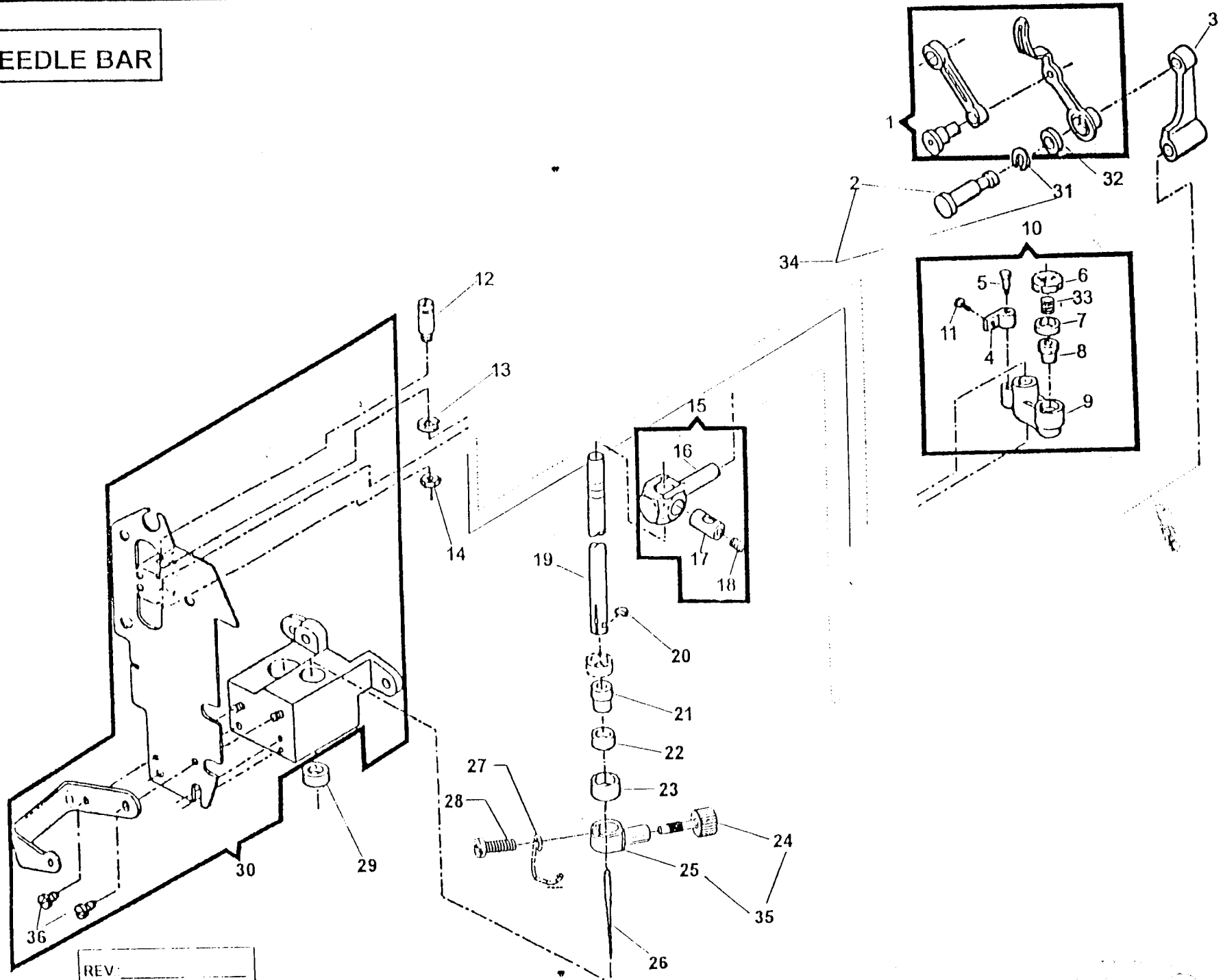
REF. PART NBR	DESCRIPTION								
01 356989-451	BED EXTENSION PLATE	X	X	X	X	X	X	X	X
02 446450-XXX	ARM END COVER	-	-	-	-	-	-	-	-
03 364063-451	ARM END COVER SCREW	X	X	X	X	X	X	X	X
04 446493-453	BED (TUBULAR) BOTTOM COVER (PLASTIC)	X	X	X	X	X	X	X	X
05 354895-453	BED (TUBULAR) BOTTOM COVER FASTENING SCREW	X	X	X	X	X	X	X	X
06 356929-451	BED (BOTTOM) COVER (PLASTIC)	X	X	X	X	X	X	X	X
07 113455-001	BED (BOTTOM) COVER FASTENING SCREW	X	X	X	X	X	X	X	X
08 354133-453	FACE PLATE SCREW	X	X	X	X	X	X	X	X
09 356051-XXX	FACE PLATE COMPLETE (WITHOUT GRILL)	-	-	-	-	-	-	-	-
10 514608	BED (BOTTOM) COVER FASTENING SCREW NUT	X	X	X	X	X	X	X	X
11 356956-451	BED EXTENSION LID	X	X	X	X	X	X	X	X
12 357002	BED EXTENSION SPRING	X	X	X	X	X	X	X	X
13 353559-451	BED CUSHION	X	X	X	X	X	X	X	X
14 357056-451	BED EXTENSION CLOTH PLATE LID LIFTING PIN	X	X	X	X	X	X	X	X
15 357059	BED EXTENSION CLOTH PLATE LID LIFTING PIN SPRING	X	X	X	X	X	X	X	X
16 446417	BED EXTENSION CLOTH PLATE LID LIFTING PIN RETAINING RING	X	X	X	X	X	X	X	X
17 357064	BED EXTENSION CLOTH PLATE CUSHION	X	X	X	X	X	X	X	X

NOTE: PLEASE WHEN NEED THE PART NUMBER(-----XXX), INDICATE THE MACHINE MODEL WHERE WILL BE USED.

**SM-14, FM17, 5825, CM-17, 57825, FM-22, 5830, 5838 Models.
PIN 357675-001.**

Adopt.

NEEDLE BAR



REV: _____
IAN/qq

**PART LIST
NEEDLE BAR**

**S F 5 C 5 F 5
M M 8 M 7 M 8 8
1 1 2 1 8 2 3 3
4 7 5 7 2 2 0 8
5**

REF. PART NBR	DESCRIPTION								
01 445672	THREAD TAKE-UP LEVER COMPLETE								
02 446260	THREAD TAKE-UP STUD	X	X	X	X	X	X	X	X
03 446357	NEEDLE BAR CONNECTING LINK	X	X	X	X	X	X	X	X
04 446190	NEEDLE BAR DRIVING ARM HINGE BRACKET	X	X	X	X	X	X	X	X
05 37935	NEEDLE BAR DRIVING ARM HINGE BRACKET HINGE PIN	X	X	X	X	X	X	X	X
06 353522-001	NEEDLE BAR BALL BUSHING (UPPER) RETAINING RING	X	X	X	X	X	X	X	X
07 357615	NEEDLE BAR BALL BUSHING (UPPER) SOCKET (LOWER)	X	X	X	X	X	X	X	X
1 446355-940	NEEDLE BAR BALL BUSHING (UPPER)	X	X	X	X	X	X	X	X
09 353521	NEEDLE BAR VIBRATING BRACKET	X	X	X	X	X	X	X	X
10 353520-001	NEEDLE BAR VIBRATING BRACKET COMPLETE	X	X	X	X	X	X	X	X
11 354826-451	NEEDLE BAR DRIVING ARM HINGE BRACKET SCREW	X	X	X	X	X	X	X	X
12 446359	NEEDLE BAR VIBRATING BRACKET HINGE PIN	X	X	X	X	X	X	X	X
13 445721	NEEDLE BAR VIBRATING BRACKET HINGE PIN RETAINING RING	X	X	X	X	X	X	X	X
14 357093-451	NEEDLE BAR VIBRATING BRACKET HINGE PIN NUT	X	X	X	X	X	X	X	X
15 353549-940	NEEDLE BAR CONNECTING STUD WITH HINGE PIN	X	X	X	X	X	X	X	X
16 353549	NEEDLE BAR CONNECTING STUD	X	X	X	X	X	X	X	X
17 37931	NEEDLE BAR CONNECTING STUD HINGE PIN	X	X	X	X	X	X	X	X
18 141916-833	NEEDLE BAR CLAMPING SCREW	X	X	X	X	X	X	X	X
19 445793	NEEDLE BAR	X	X	X	X	X	X	X	X
20 37943	NEEDLE BAR GIB	X	X	X	X	X	X	X	X
21 446355-001	NEEDLE BAR BALL BUSHING (LOWER)	X	X	X	X	X	X	X	X
22 507379	NEEDLE BAR BALL BUSHING (LOWER) SOCKET	X	X	X	X	X	X	X	X
23 446361-001	NEEDLE BAR BALL BUSHING (LOWER) ADJUSTING COLLAR	X	X	X	X	X	X	X	X
24 355248-451	NEEDLE THUMB SCREW	X	X	X	X	X	X	X	X
25 357429	NEEDLE CLAMP BODY	X	X	X	X	X	X	X	X
26 204514-100	NEEDLE 2045 SIZE NBR 14	X	X	X	X	X	X	X	X
26 202014-100	NEEDLE 2020 SIZE NBR 14 (FOR JAPAN ONLY)	X	X	X	X	X	X	X	X
27 357421	NEEDLE CLAMP THREAD GUIDE	X	X	X	X	X	X	X	X
28 141920-455	ND.CLAMP BODY, ND.CLAMP THREAD GUIDE & ND.STOP SCREW	X	X	X	X	X	X	X	X
29 44450	NEEDLE BAR BALL BUSHING (LOWER) SOCKET (UPPER)	X	X	X	X	X	X	X	X
30 357360-000	NEEDLE BAR, PRESSER BAR & VIBR.BKT.HOUSING ASSEMBLY	X	X	X	X	X	X	X	X

SM-14, FM17, 5825, CM-17, 57825, FM-22, 5830, 5838 Models.
PIN 357675-001.

Adopt.

**PART LIST
NEEDLE BAR (CONT.)**

S F 5 C 5 F 5 5
M M 8 M 7 M 8 8
1 1 2 1 8 2 3 3
4 7 5 7 2 2 0 8
5

REF. PART NBR

DESCRIPTION

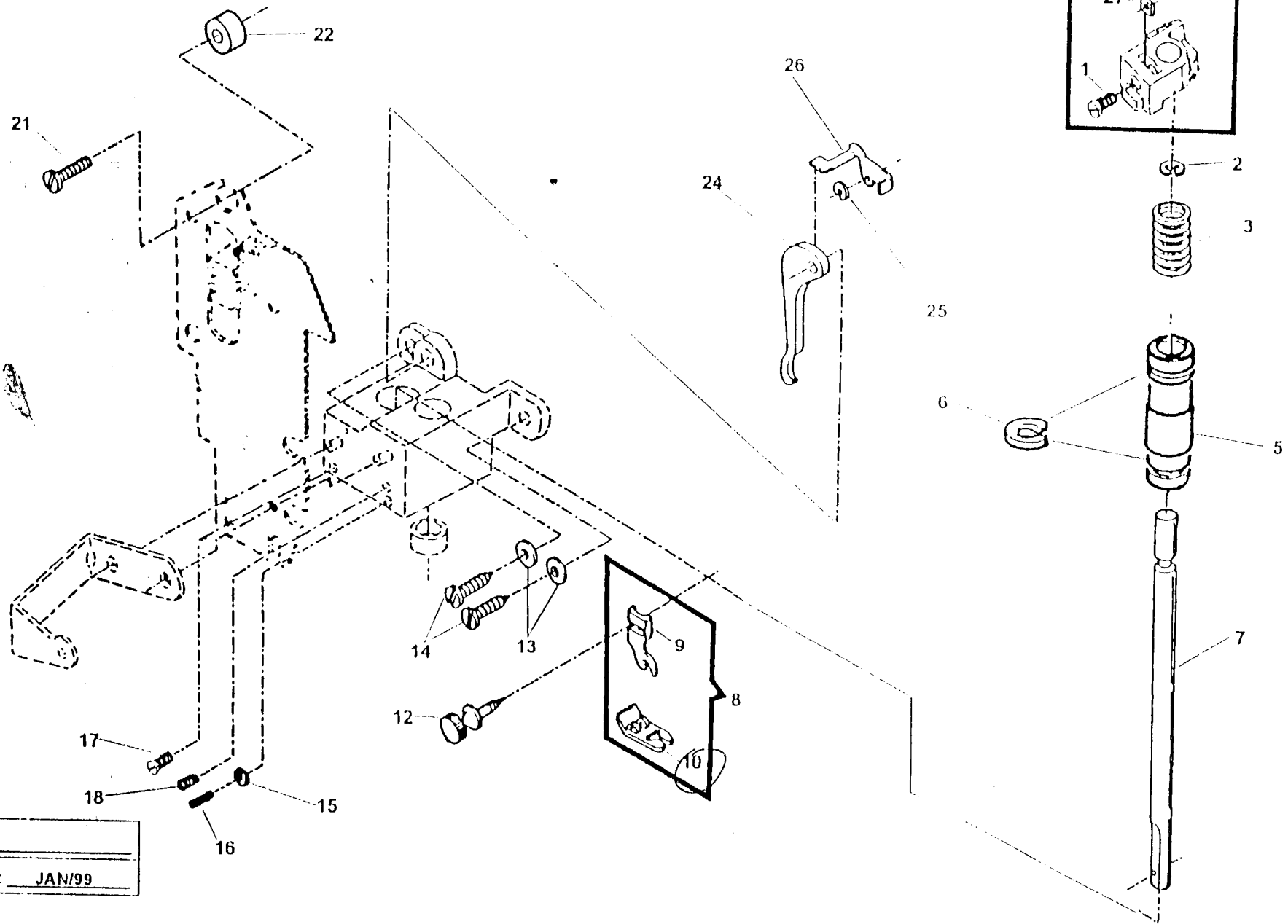
31	445486	THREAD TAKE-UP STUD RETAINING RING	X	X	X	X	X	X	X	X	X
32	543531	THREAD TAKE-UP STUD THRUST WASHER	X	X	X	X	X	X	X	X	X
33	357616	NEEDLE BAR BALL BUSHING (UPPER) SOCKET SPRING	X	X	X	X	X	X	X	X	X
34	446261	THREAD TAKE-UP STUD WITH RETAINING RING	X	X	X	X	X	X	X	X	X
35	357430	NEEDLE CLAMP BODY WITH SCREW	X	X	X	X	X	X	X	X	X
38	113480-451	ND.BAR, PRESSER BAR & VIBR.BKT.HOUS.PLATE MTG.SCREW	X	X	X	X	X	X	X	X	X

<u>REF.</u>	<u>NEW P/N</u>	<u>IN PLACE OF</u>	<u>IMPLEMENTATION DATE</u>
14	357093-451	353402-451	05/31/94
25	357429	353629	08/26/96
27	357421	353629	08/26/96
28	141920-453	141803-451	08/26/96
28	41920-455	141920-453	21/10/97
35	57430	353631	08/26/96
30	357360-000	356599	08/26/98

M-14, FM17, 5825, CM-17, 57825, FM-22, 5830, 5838 Models.
P/N 357675-001.

Adopt.

PRESSER BAR



REV: _____
DATA: JAN/99

**PART LIST
PRESSER BAR**

S F 5 C 5 F 5 5
M M 8 M 7 M 8 8
1 1 2 1 8 2 3 3
4 7 5 7 2 2 0 8
5

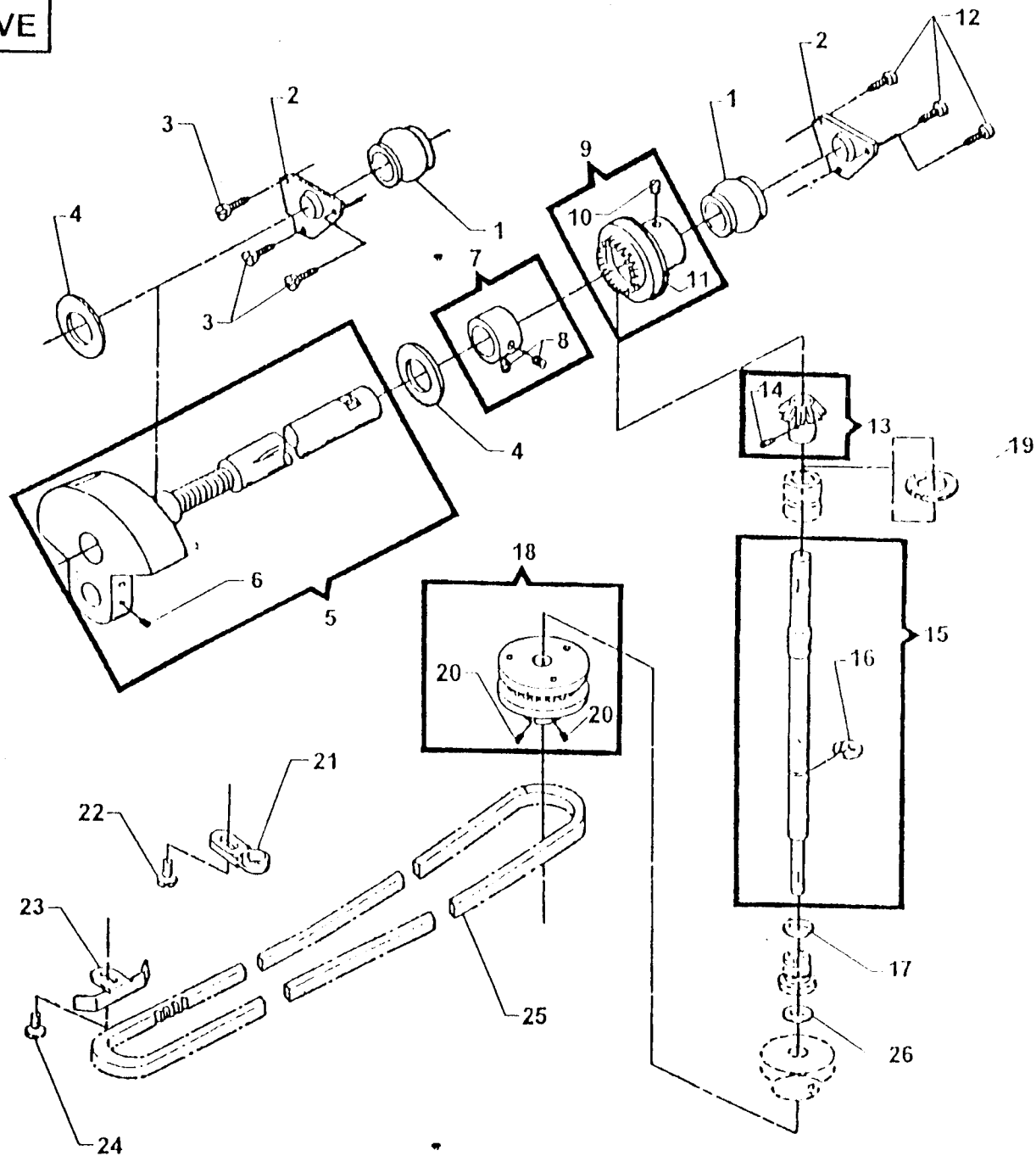
REF. PART NBR	DESCRIPTION								
01	355279-451	PRESSER BAR GUIDE BRACKET SET SCREW	X	X	X	X	X	X	X
02	353215	PRESSER BAR SPRING RETAINING RING (UPPER)	X	X	X	X	X	X	X
03	357362	PRESSER BAR SPRING	X	X	X	X	X	X	X
04	357604	PRESSER BAR SPRING RETAINING RING	X	X	X	X	X	X	X
05	445947-001	PRESSER BAR BUSHING	X	X	X	X	X	X	X
06	357604	PRESSER BAR BUSHING LOCATING RING	X	X	X	X	X	X	X
07	357602	PRESSER BAR	X	X	X	X	X	X	X
08	446372	PRESSER FOOT (SNAP-ON) COMPLETE FOR ZIG-ZAG SEWING	X	X	X	X	X	X	X
09	155964	PRESSER FOOT SHANK (SNAP-ON)	X	X	X	X	X	X	X
10	446371	PRESSER FOOT PLATE (SNAP-ON) FOR ZIG-ZAG SEWING	X	X	X	X	X	X	X
11	357363	PRESSER BAR GUIDE BRACKET ASSEMBLY	X	X	X	X	X	X	X
12	354135-452	PRESSER FOOT THUMB SCREW	X	X	X	X	X	X	X
13	353375-451	NEEDLE BAR, PRESSER BAR & VIBRATING BRACKET HOUSING MOUTING SCREW (LOWER) WASHER	X	X	X	X	X	X	X
14	113434-451	NEEDLE BAR, PRESSER BAR & VIBRATING BRACKET HOUSING MOUTING SCREW (LOWER)	X	X	X	X	X	X	X
15	54591-451	NEEDLE BAR OVER THROW SET SCREW NUT	X	X	X	X	X	X	X
16	354993-451	NEEDLE BAR OVER THROW SET SCREW	X	X	X	X	X	X	X
17	354906-451	PRESSER BAR BUSHING SET SCREW	X	X	X	X	X	X	X
18	141938-833	NEEDLE BAR BALL BUSHING (LOWER) ADJUSTING COLLAR SET SCREW	X	X	X	X	X	X	X
19	446353	PRESSER BAR GUIDE BRACKET POSITIONER	X	X	X	X	X	X	X
J	141913-451	PRESSER BAR GUIDE BRACKET POSITIONER SCREW	X	X	X	X	X	X	X
21	113455-009	N.BAR & PRESSER BAR VIBR. BRAC. HOUSING MOUT.SCREW (UPPER)	X	X	X	X	X	X	X
22	531627	NEEDLE BAR, PRESSER BAR & VIBRAT.BRAC. HOUNSING MOUT.BUSH.	X	X	X	X	X	X	X
24	356170-451	PRESSER BAR LIFTER	X	X	X	X	X	X	X
25	445486	TENSION RELEASING LEVER RETAINING RING	X	X	X	X	X	X	X
26	445925	TENSION RELEASING LEVER	X	X	X	X	X	X	X
27	353367-451	PRESSER BAR GUIDE BRACKET NUT	X	X	X	X	X	X	X

REF.	NEW	IN REPLACE OF	DATE
03		357362	353214 01/26/98
07		357602	314638 01/26/98
11		357363	353212 01/26/98

SM-14, FM17, 5825, CM-17, 57825, FM-22, 5830, 5838 Models.
P/N 357675-001.

Adopt.

ARM SHAFT DRIVE



REV: _____
DATE: JAN/99

PART LIST
ARM SHAFT DRIVE

S F 5 C 5 F 5 5
M M 8 M 7 M 8 8
1 1 2 1 8 2 3 3
4 7 5 7 2 2 0 8
5

REF. PART NBR

DESCRIPTION

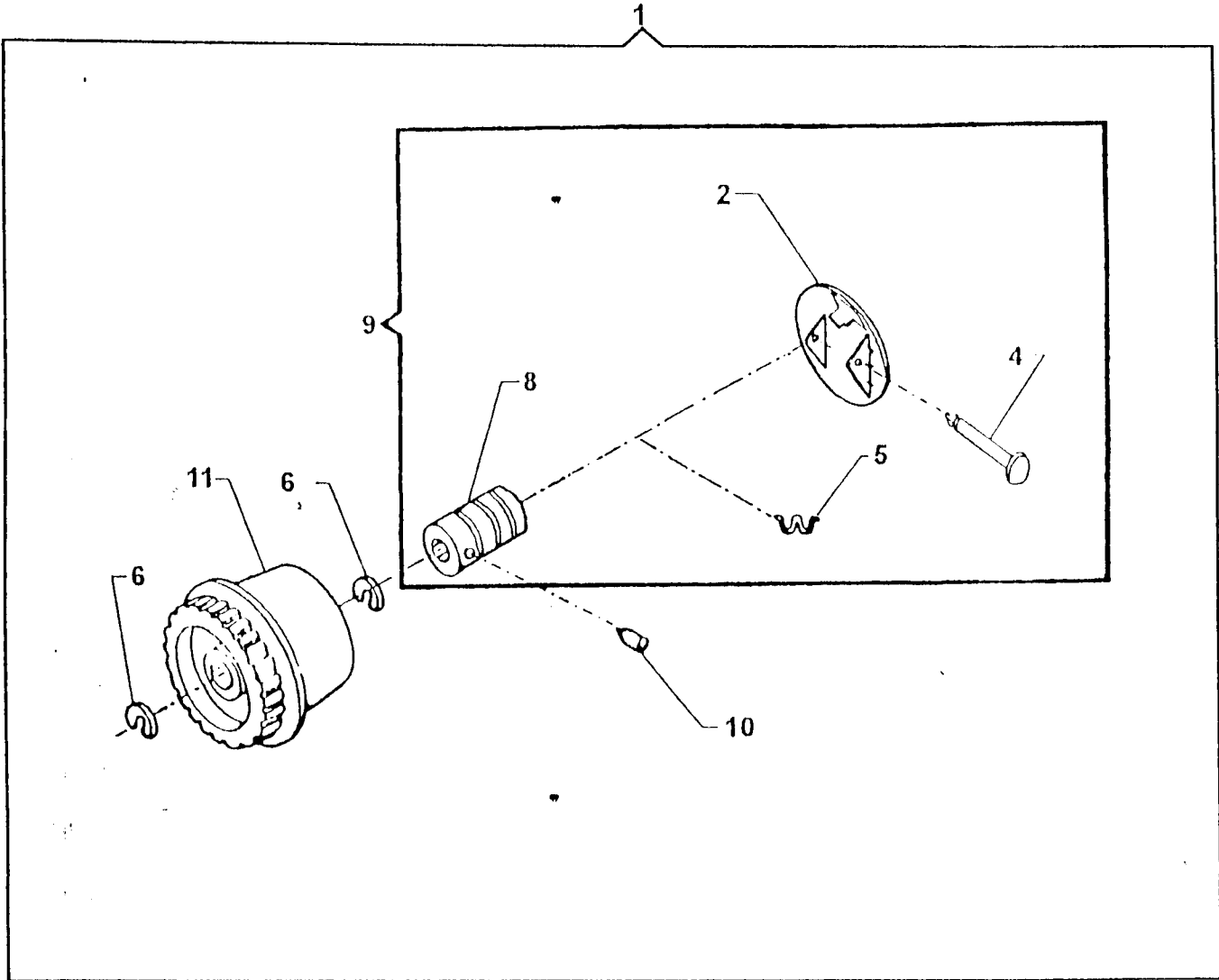
01	446384	ARM SHAFT BUSHING (FRONT)	X	X	X	X	X	X	X	X
02	446385	ARM SHAFT BUSHING (FRONT) RETAINING BRACKET	X	X	X	X	X	X	X	X
03	113455-001	ARM SHAFT BUSHING (FRONT) RETAINING BRACKET SCREW	X	X	X	X	X	X	X	X
04	319764	ARM SHAFT (HORIZONTAL) RETAINING COLLAR WASHER	X	X	X	X	X	X	X	X
05	531684	ARM SHAFT COMPLETE	X	X	X	X	X	X	X	X
06	354105-833	NEEDLE BAR CRANK POSITION SET SCREW	X	X	X	X	X	X	X	X
07	353580	ARM SHAFT (HORIZONTAL) RETAINING COLLAR	X	X	X	X	X	X	X	X
08	113500-451	ARM SHAFT (HORIZONTAL) RETAINING COLLAR SET SCREW	X	X	X	X	X	X	X	X
09	353272	ARM SHADT (HORIZONTAL) BEVEL GEAR & FEED LIFTING (ECCENTRIC) COMPLETE	X	X	X	X	X	X	X	X
10	354813-451	ARM SHAFT (HORIZONTAL) BEVEL GEAR & FEED LIFTING ECCENTRIC SET SCREW	X	X	X	X	X	X	X	X
11	353413	ARM SHAFT (HORIZONTAL) BEVEL GEAR & FEED LIFTING ECCENTRIC WASHER (PLASTIC)	X	X	X	X	X	X	X	X
12	113455-001	ARM SHAFT BUSHING (REAR) RETAINING BRACKET SCREW	X	X	X	X	X	X	X	X
13	353273-002	ARM SHAFT (UPRIGHT) BEVEL GEAR (PLASTIC)	X	X	X	X	X	X	X	X
14	354105-833	ARM SHAFT (UPRIGHT) BEVEL GEAR SET SCREW	X	X	X	X	X	X	X	X
15	179952-002	ARM SHAFT (UPRIGHT) ASSEMBLY	X	X	X	X	X	X	X	X
16	353215	ARM SHAFT (UPRIGHT) RETAINING RING	X	X	X	X	X	X	X	X
17	353394	ARM SHAFT (UPRIGHT) RETAINING RING WASHER	X	X	X	X	X	X	X	X
18	353438-001	ARM SHAFT (UPRIGHT) BELT DRIVE PULLEY ASSEMBLY COMPLETE	X	X	X	X	X	X	X	X
19	356819	ARM SHAFT (UPRIGHT) FELT WASHER	X	X	X	X	X	X	X	X
20	354906-451	ARM SHAFT (UPRIGHT) BELT DRIVE PULLEY SET SCREW	X	X	X	X	X	X	X	X
21	357461	ROTATING HOOK DRIVE BELT TENSION ADJUSTER	X	X	X	X	X	X	X	X
22	113453-003	ROTATING HOOK DRIVE BELT TENSIONER SCREW	X	X	X	X	X	X	X	X
23	446376	BELT RETAINER (LEFT)	X	X	X	X	X	X	X	X
24	113455-001	BELT RETAINER (LEFT) SCREW	X	X	X	X	X	X	X	X
25	446237	BELT (ROTATING HOOK DRIVE)	X	X	X	X	X	X	X	X
26	319826	ARM SHAFT (UPRIGHT) BELT DRIVEPULLEY WASHER	X	X	X	X	X	X	X	X

REF.	NEW	IN REPLACE OF	DATE
21		357461-000 531630	11/04/98

SM-14, FM17, 5825, CM-17, 57825, FM-22, 5830, 5838 Models.
P/N 357675-001.

Adopt.

HAND WHEEL



REV: _____
DATA: JAN/99

**PART LIST
HANDWHEEL**

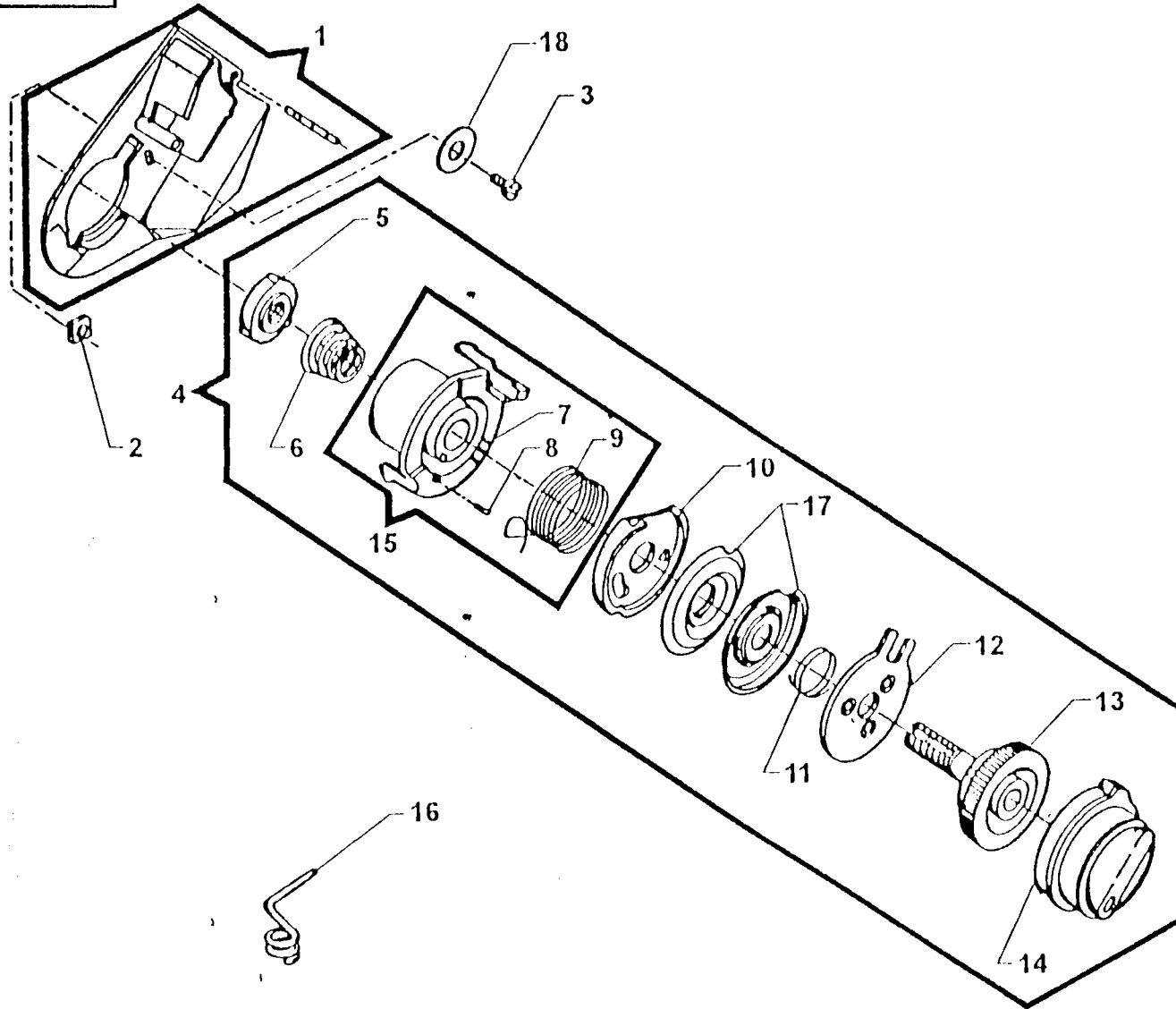
S F 5 C 5 F 5 5
M M 8 M 7 M 8 8
1 1 2 1 8 2 3 3
4 7 5 7 2 2 0 8
5

REF. PART NBR

DESCRIPTION

01	357009-451	HAND WHEEL COMPLETE	X	X	X	X	X	X	X	X
02	357367-901	HAND WHEEL DISENGAGING CLUTCH ENGAGING PLATE COVER	X	X	X	X	X	X	X	X
04	357364	HAND WHEEL DISENGAGING CLUTCH ENGAGING PLATE HINGE PIN	X	X	X	X	X	X	X	X
05	357365	HAND WHEEL DISENGAGING CLUTCH ACTUATING SPRING	X	X	X	X	X	X	X	X
06	446387	HAND WHEEL RETAINING RING (THREADLE ELECTRIC)	X	X	X	X	X	X	X	X
08	357359	HAND WHEEL DISENGAGING CLUTCH BUSHING	X	X	X	X	X	X	X	X
09	357368-452	HAND WHEEL DISENGAGING CLUTCH BUSHING COMPLETE	X	X	X	X	X	X	X	X
10	354813-451	HAND WHEEL DISENGAGING CLUTCH BUSHING SCREW	X	X	X	X	X	X	X	X
11	356958-451	HAND WHEEL (PLASTIC)	X	X	X	X	X	X	X	X

TENSION MECHANISM



REV: _____
DATA: JAN/99

PART LIST
TENSION MECHANISM

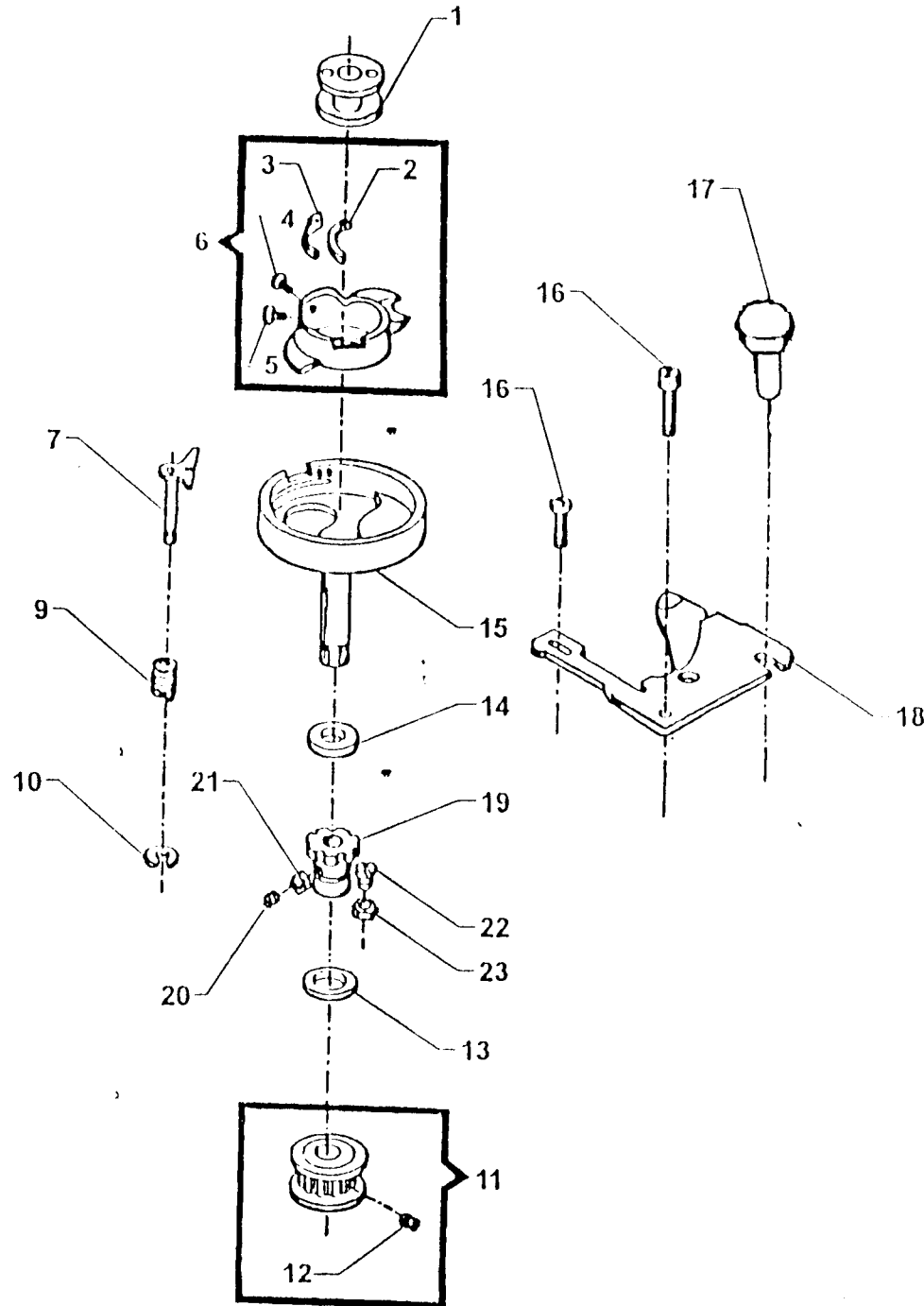
S F 5 C 5 F 5 5
M M 8 M 7 M 8 8
1 1 2 1 8 2 3 3
4 7 5 7 2 2 0 8
5

REF. PART NBR

DESCRIPTION

01	356040-452	TENSION MECHANISM SHROUDER ASSEMBLY	X	X	X	X	X	X	X	X	X	X
02	514698-451	TENSION MECHANISM SHROUDER SECREW NUT	X	X	X	X	X	X	X	X	X	X
03	141808-457	TENSION MECHANISM SHROUDER SCREW	X	X	X	X	X	X	X	X	X	X
04	356088-457	TENSION MECHANISM ASSEMBLY	X	X	X	X	X	X	X	X	X	X
05	356095	TENSION STUD NUT	X	X	X	X	X	X	X	X	X	X
06	356096	TENSION SPRING	X	X	X	X	X	X	X	X	X	X
07	356089	TENSION MECHANISM SUPPORT	X	X	X	X	X	X	X	X	X	X
08	356246-900	TENSION MECHANISM SUPPORT PIN	X	X	X	X	X	X	X	X	X	X
09	356097	THREAD TAKE-UP SPRING	X	X	X	X	X	X	X	X	X	X
10	356091	THREAD TAKE-UP SPRING THREAD GUARD	X	X	X	X	X	X	X	X	X	X
11	356216	TENSION DISC PRESSURE PLATE SPRING	X	X	X	X	X	X	X	X	X	X
12	356177	TENSION DISC PRESSURE PLATE	X	X	X	X	X	X	X	X	X	X
13	356092-451	TENSION INDICATOR WITH STUD	X	X	X	X	X	X	X	X	X	X
14	356090-457	TENSION INDICATOR DIAL	X	X	X	X	X	X	X	X	X	X
15	356245	TENSION MECHANISM SUPPORT ASSEMBLY	X	X	X	X	X	X	X	X	X	X
16	445784	THREAD GUIDE (LOWER)	X	X	X	X	X	X	X	X	X	X
17	356094	TENSION DISC	X	X	X	X	X	X	X	X	X	X
18	356443	TENSION MECHANISM SHROUDER SCREW WASHER	X	X	X	X	X	X	X	X	X	X

HOOK SYSTEM



REV: _____

DATA: JAN/99

**PART LIST
HOOK SYSTEM**

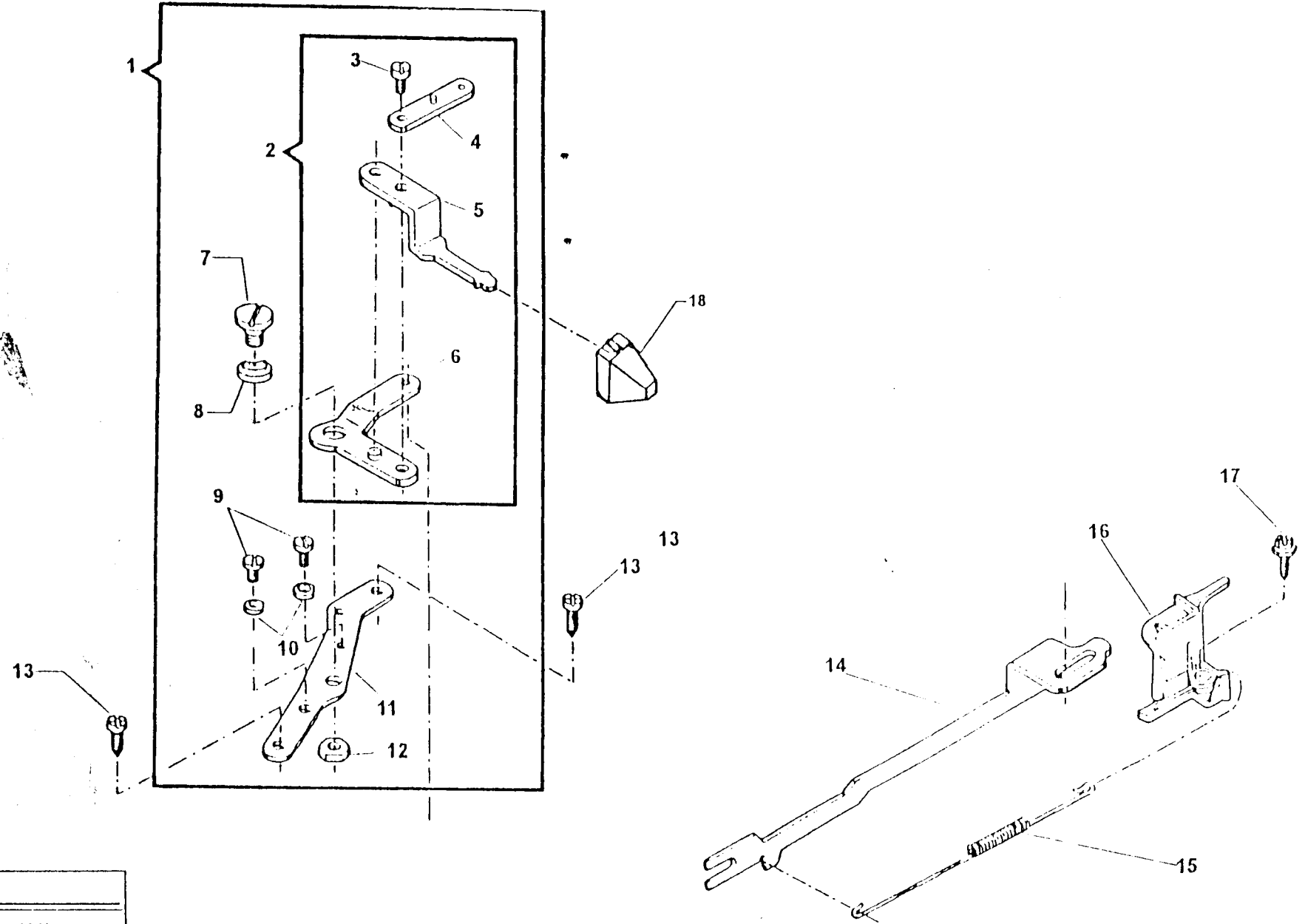
S F 5 C 5 F 5 5
M M 8 M 7 M 8 8
1 1 2 1 8 2 3 3
4 7 5 7 2 2 0 8
5

REF. PART NBR	DESCRIPTION	
01 172336	ROTATING HOOK BOBBIN (PLASTIC)	X X X X X X X X
02 356490-451	ROTATING HOOK BOBBIN CASE TENSION SPRING SCREW	X X X X X X X X
03 314715	ROTATING HOOK BOBBIN CASE TENSION SPRING	X X X X X X X X
04 355254-451	ROTATING HOOK BOBBIN CASE TENSION REGULATING SCREW	X X X X X X X X
05 139975-452	ROTATING HOOK BOBBIN CASE TENSION SPRING SEGMENT SCREW	X X X X X X X X
06 421325	ROTATING HOOK BOBBIN CASE	X X X X X X X X
07 353511	ROTATING HOOK BOBBIN CASE RETAINING PLATE ASSEMBLY	X X X X X X X X
09 44892	ROTATING HOOK BOBBIN CASE RETAINING PLATE STUD SPRING	X X X X X X X X
) 446417	ROTATING HOOK BOBBIN CASE RETAINING PLATE RETAINING RING	X X X X X X X X
11 446235	ROTATING HOOK BELT DRIVE PULLEY	X X X X X X X X
12 141803-451	ROTATING HOOK BELT DRIVE PULLEY SCREW	X X X X X X X X
13 382861-906	ROTATING HOOK BELT DRIVE PULLEY WASHER	X X X X X X X X
14 353453	ROTATING HOOK WEAR WASHER	X X X X X X X X
15 353366	ROTATING HOOK COMPLETE	X X X X X X X X
16 354917-451	ROTATING HOOK BOBBIN CASE POSITION PLATE SCREW	X X X X X X X X
17 357349-451	ROTATING HOOK BOBBIN CASE RETAINING PLATE (ADJUSTABLE & POSITION PLATE) STUD	X X X X X X X X
18 44873-001	ROTATING HOOK BOBBIN CASE POSITION PLATE	X X X X X X X X
19 353410-900	ROTATING HOOK BUSHING	X X X X X X X X
20 141938-833	ROTATING HOOK BUSHING SET SCREW	X X X X X X X X
21 353367-451	ROTATING HOOK BUSHING SET SCREW NUT	X X X X X X X X
22 141844-451	ROTATING HOOK BUSHING ADJUSTING SCREW	X X X X X X X X
23 618638-005	ROTATING HOOK BUSHING ADJUSTING SCREW NUT	X X X X X X X X

SM-14, FM17, 5825, CM-17, 57825, FM-22, 5830, 5838 Models.
P/N 357675-001.

Adopt.

BIGHT AMPLITUDE



REV: _____
DATA: JAN/99

PART LIST
BIGHT AMPLITUDE

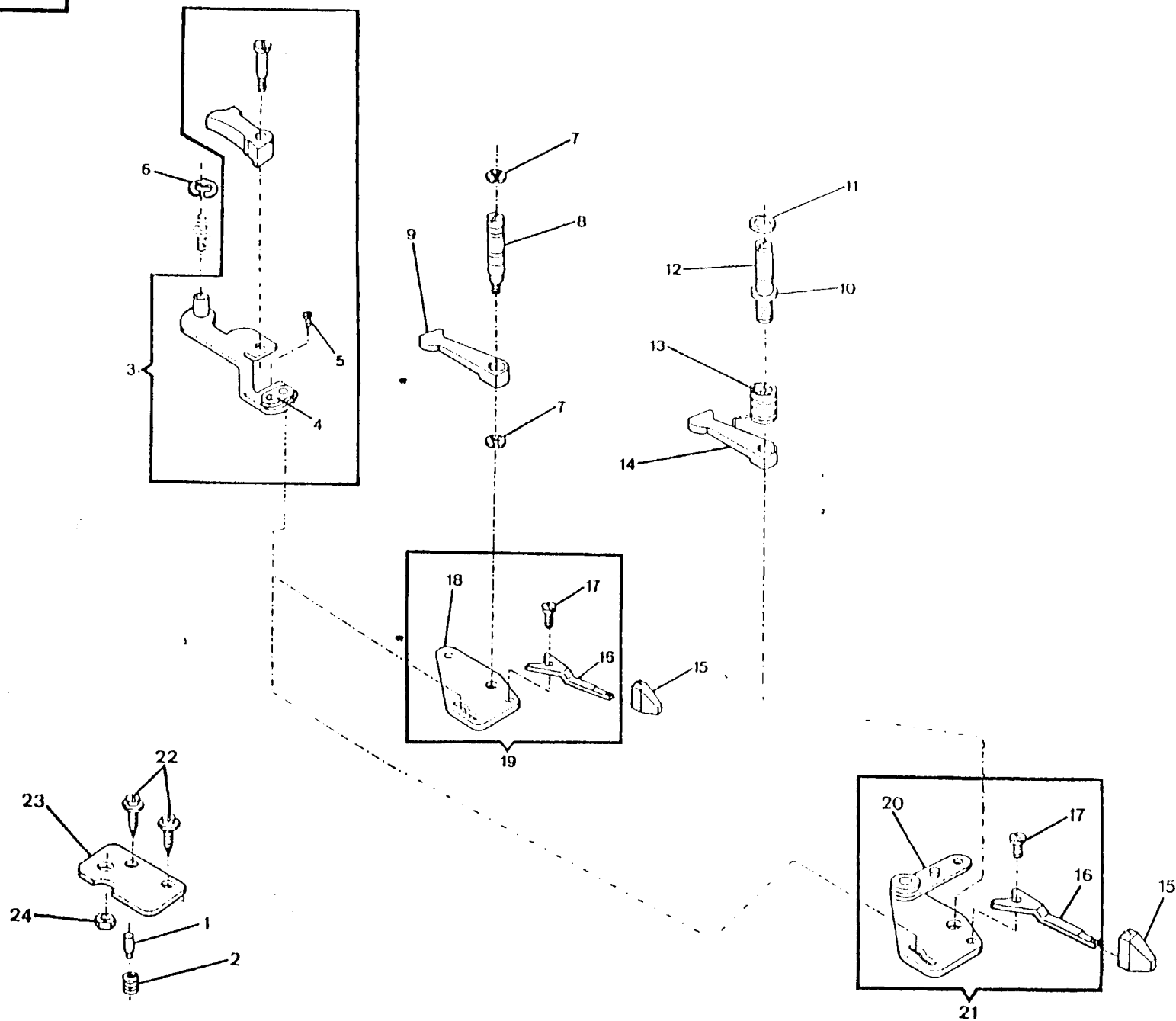
S F 5 C 5 F 5 5
M M 8 M 7 M 8 8
1 1 2 1 8 2 3 3
4 7 5 7 2 2 0 8
5

REF. PART NBR

DESCRIPTION

01	356057	BIGHT AMPLITUDE CONTROL LEVER MOUNTING BRACKET COMPLETE	X	X	-	-	-	-	-	-	-	-
01	356113	BIGHT AMPLITUDE CONTROL LEVER MOUNTING BRACKET COMPLETE	-	-	X	X	X	X	X	X	X	X
02	356058	BIGHT AMPLITUDE CONTROL LEVER SUB-ASSEMBLY	X	X	-	-	-	-	-	-	-	-
02	356114	BIGHT AMPLITUDE CONTROL LEVER SUB-ASSEMBLY	-	-	X	X	X	X	X	X	X	X
03	141913-451	BIGHT AMPLITUDE CONTROL LEVER SCREW	X	X	-	-	-	-	-	-	-	-
03	139866-451	BIGHT AMPLITUDE CONTROL LEVER SCREW	-	-	X	X	X	X	X	X	X	X
04	44556	BUTTONHOLER BIGHT CONTROL CAM FOLLOWER LEVER LINK (LEFT)	-	-	X	X	X	X	X	X	X	X
05	356061	BIGHT AMPLITUDE CONTROL LEVER	X	X	X	X	X	X	X	X	X	X
06	37246	BIGHT AMPLITUDE CONTROL LEVER LINK	X	X	X	X	X	X	X	X	X	X
07	354825-451	BIGHT AMPLITUDE CONTROL LEVER LINK HINGE SCREW	X	X	X	X	X	X	X	X	X	X
08	49204	BIGHT AMPLITUDE CONTROL LEVER LINK HINGE SCREW FRICTION WASHER	X	X	X	X	X	X	X	X	X	X
09	141913-451	BIGHT AMPLITUDE CONTROL LEVER LINK STOP SCREW	X	X	X	X	X	X	X	X	X	X
10	446904	BIGHT AMPLITUDE CONTROL LEVER LINK STOP	X	X	X	X	X	X	X	X	X	X
11	531793	BIGHT AMPLITUDE CONTROL LEVER MOUNTING BRACKET	X	X	X	X	X	X	X	X	X	X
12	54591-451	BIGHT AMPLITUDE CONTROL LEVER LINK HINGE SCREW NUT	X	X	X	X	X	X	X	X	X	X
13	113455-001	BIGHT AMPLITUDE CONTROL LEVER MOUNTING BRACKET SCREW	X	X	X	X	X	X	X	X	X	X
14	37933-002	NEEDLE BAR DRIVING ARM	X	X	X	X	X	X	X	X	X	X
15	37942	NEEDLE BAR DRIVING ARM TENSION SPRING	X	X	X	X	X	X	X	X	X	X
16	445780	LIGHT LEAD SHIELD & NEEDLE BAR DRIVING ARM TENSION SPRING MOUNTING PLATE	X	X	X	X	X	X	X	X	X	X
17	113455-001	LIGHT LEAD SHIELD & NEEDLE BAR DRIVING ARM TENSION SPRING MOUNTING PLATE SCREW	X	X	X	X	X	X	X	X	X	X
18	356204-453	CONTROL LEVER KNOB	X	X	X	X	X	X	X	X	X	X

NEEDLE POSITION



REV: _____
DATA: JAN/99

**PART LIST
NEEDLE POSITION**

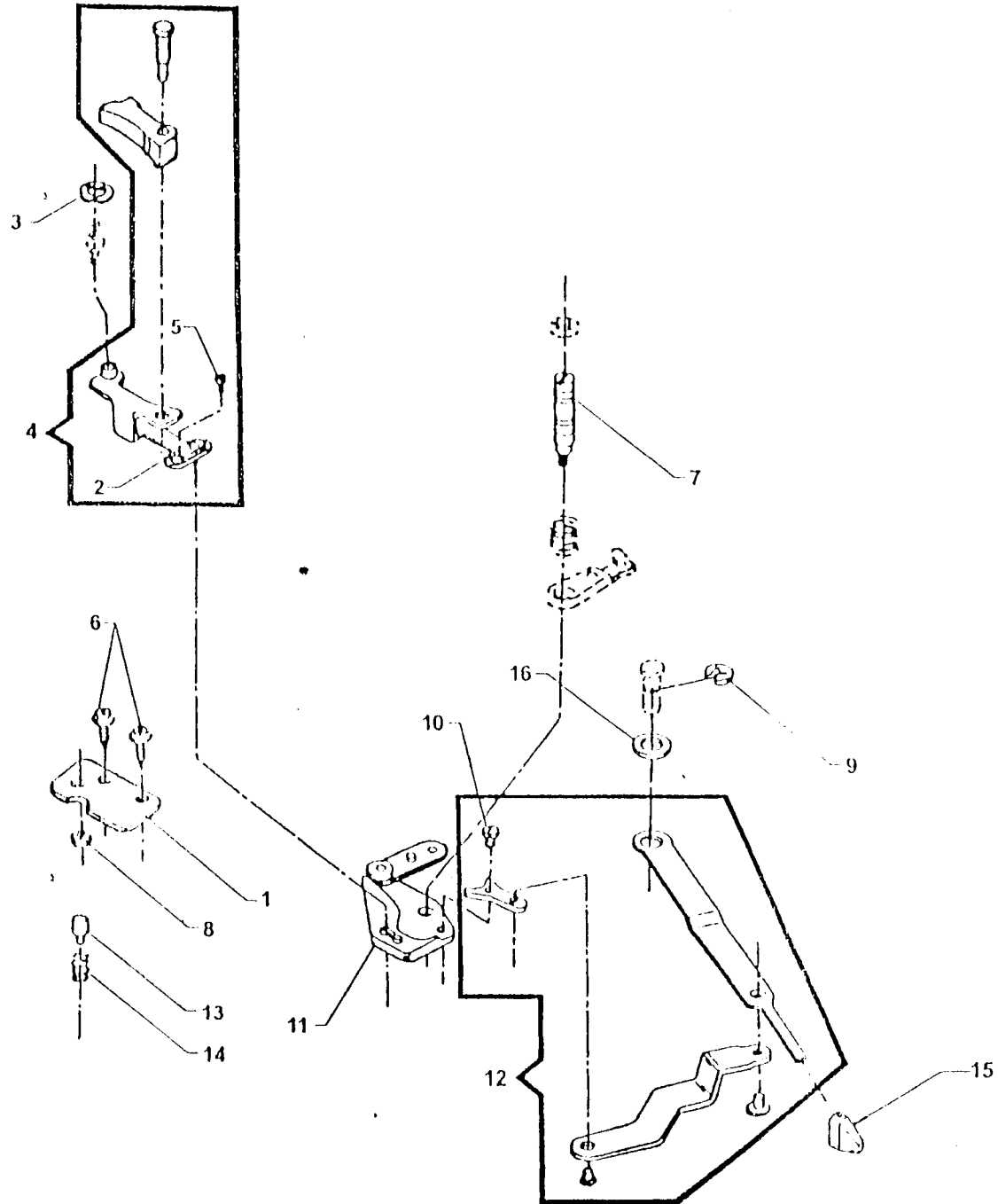
**S F 5 C 5 F 5 5
M M 8 M 7 M 8 8
1 1 2 1 8 2 3 3
4 7 5 7 2 2 0 8
5**

REF. PART NBR	DESCRIPTION									
01 356228	NEEDLE POSITION SELECTOR LEVER BRACKET POSITIONING PIN	X	X	X	X	X	X	X	X	X
02 444800	NEEDLE POSITION SELECTOR LEVER BRACKET POSITIONING PIN SPRING	X	X	X	X	X	X	X	X	X
03 356636	NEEDLE BAR DRIVING ARM SLIDE BRACKET ASSEMBLY	X	X	X	X	X	X	X	X	-
04 531736	NEEDLE POSITION SELECTOR LEVER BRACKET FOLLOWER STUD ARM ASSEMBLY	X	X	X	X	X	X	X	X	X
05 141913-451	NEEDLE POSITION LEVER BRACKET STUD ARM SET SCREW	X	X	X	X	X	X	X	X	X
06 445539	NEEDLE BAR VIBRATING BRACKET HINGE PIN RETAINING RING	X	X	X	X	X	X	X	X	X
07 44371	DISC FOLLOWER STUD RETAINING RING (UPPER & LOWER)	X	X	-	-	-	-	-	-	-
08 446023	DISC FOLLOWER STUD	X	X	-	-	-	-	-	-	-
09 445646	DISC FOLLOWER	X	X	-	-	-	-	-	-	-
10 353585	DISC FOLLOWER STUD COLI AR	-	-	X	X	X	X	X	X	X
11 353548	DISC FOLLOWER STUD WASHER	-	-	X	X	X	X	X	X	X
12 353584	DISC FOLLOWER STUD	-	-	X	X	X	X	X	X	-
13 179897	DISC FOLLOWER SPRING	-	-	X	X	X	X	X	X	-
14 446404	DISC FOLLOWER	-	-	X	X	X	X	X	X	-
15 356204-453	NEEDLE POSITION SELECTOR LEVER KNOB	X	X	X	X	X	X	X	X	X
16 356065	NEEDLE POSITION SELECTOR LEVER	X	X	X	X	X	X	X	X	-
17 141913-451	NEEDLE POSITION SELECTOR LEVER SCREW	X	X	X	X	X	X	X	X	X
18 353547	NEEDLE POSITION SELECTOR LEVER BRACKET	X	X	-	-	-	-	-	-	-
19 356063	NEEDLE POSITION SELECTOR LEVER ASSEMBLY	X	X	-	-	-	-	-	-	-
20 44628	NEEDLE POSITION SELECTOR LEVER BRACKET	X	-	X	X	X	X	X	X	X
21 356062	NEEDLE POSITION SELECTOR LEVER BRACKET COMPLETE	-	-	X	X	X	X	X	X	-
22 113455-001	NEEDLE POSITION SELECTOR LEVER MOUNTING PLATE SCREW	X	X	X	X	X	X	X	X	X
23 446401	NEEDLE POSITION SELECTOR LEVER MOUNTING PLATE	X	X	X	X	X	X	X	X	X
24 54591-451	DISC FOLLOWER STUD NUT	X	X	X	X	X	X	X	X	X

SM-14, FM17, 5825, CM-17, 57825, FM-22, 5830, 5838 Models.
PIN 357675-001.

Adopt.

NEEDLE POSITION



REV: _____

DATA: JAN/99

**PART LIST
NEEDLE POSITION**

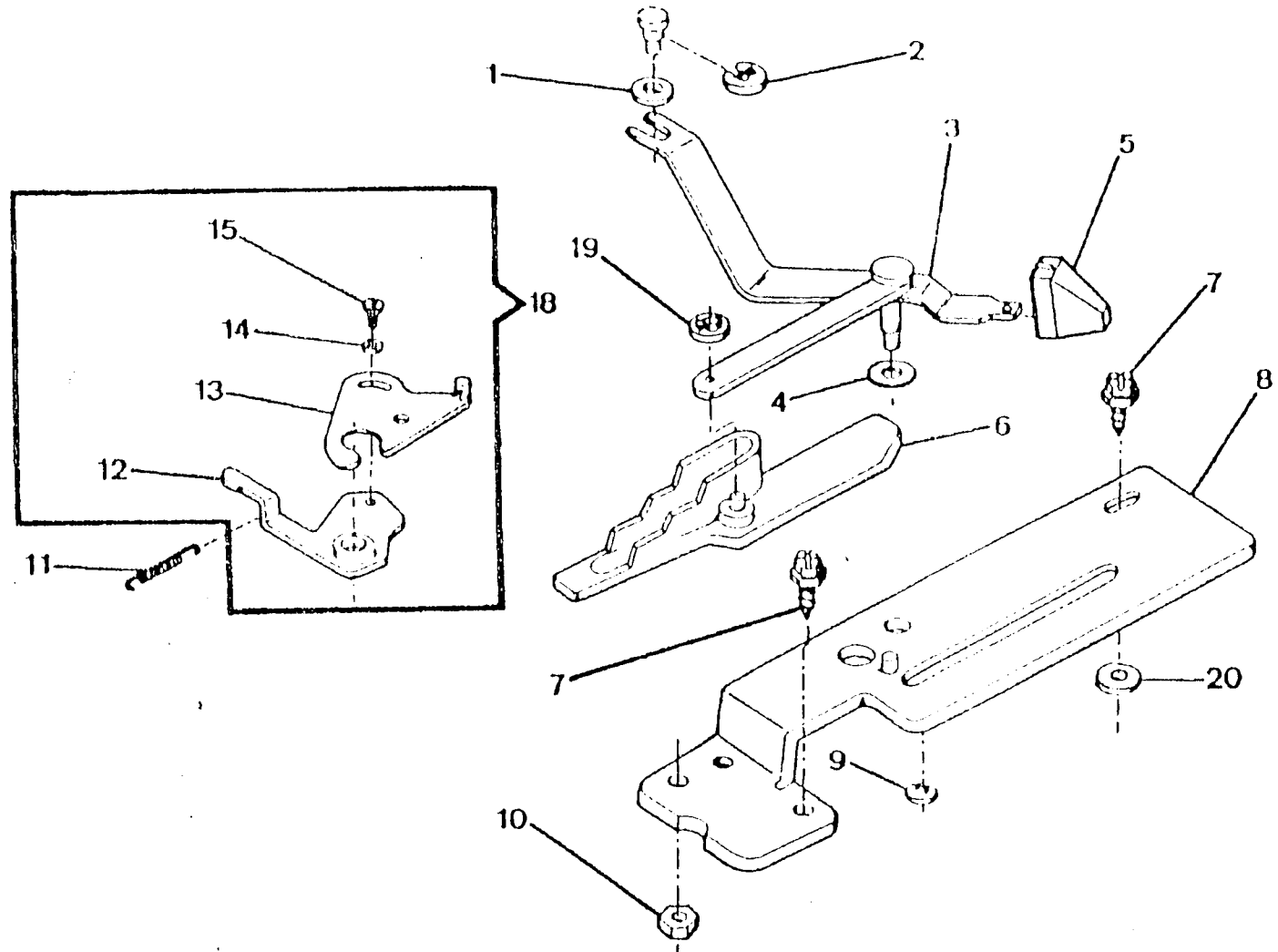
S F 5 C 5 F 5 5
M M 8 M 7 M 8 8
1 1 2 1 8 2 3 3
4 7 5 7 2 2 0 8
5

REF. PART NBR	DESCRIPTION								
01 446401	NEEDLE POSITION SELECTOR LEVER ADJUSTING PLATE	X	X	X	X	X	X	X	X
02 531736	NEEDLE POSITION SELECTOR LEVER BRACKET FOLLOWER STUD ARM ASSEMBLY	X	X	X	X	X	X	X	X
03 445721	NEEDLE BAR DRIVING ARM SLIDE BRACKET RETAINING RING	X	X	X	X	X	X	X	X
04 356735-001	NEEDLE BAR DRIVING ARM SLIDE BRACKET COMPLETE	-	-	-	-	-	-	-	X
05 141913-451	NEEDLE POSITION LEVER BRACKET STUD ARM SET SCREW	X	X	X	X	X	X	X	X
06 113455-001	NEEDLE POSITION SELECTOR LEVER ADJUSTING PLATE SCREW	X	X	X	X	X	X	X	X
07 356774-900	DISC FOLLOWER STUD	-	-	-	-	-	-	-	X
08 54591-451	NEEDLE POSITION SELECTOR LEVER ADJUSTING PLATE SCREW NUT	X	X	X	X	X	X	X	X
09 445486	NEEDLE POSITION SELECTOR LEVER RETAINING RING	-	-	-	-	-	-	-	X
10 141913-451 44628	NEEDLE POSITION SELECTOR LEVER SCREW NEEDLE POSITION SELECTOR LEVER BRACKET ASSEMBLY	X	X	X	X	X	X	X	X
12 356812	NEEDLE POSITION SELECTOR LEVER COMPLETE	-	-	-	-	-	-	-	X
13 356228	NEEDLE POSITION SELECTOR LEVER BRACKET POSITIONING PIN	X	X	X	X	X	X	X	X
14 444800	NEEDLE POSITION SELECTOR LEVER BRACKET POSITIONING PIN SPRING	X	X	X	X	X	X	X	X
15 356204-453	NEEDLE POSITION SELECTOR LEVER KNOB	X	X	X	X	X	X	X	X
16 49204	NEEDLE POSITION SELECTOR LEVER HINGE STUD WASHER	-	-	-	-	-	-	-	X

SM-14, FM17, 5825, CM-17, 57825, FM-22, 5830, 5838 Models.
PIN 357675-001.

Adopt.

PATTERN SELECTOR ASSEMBLY



REV:

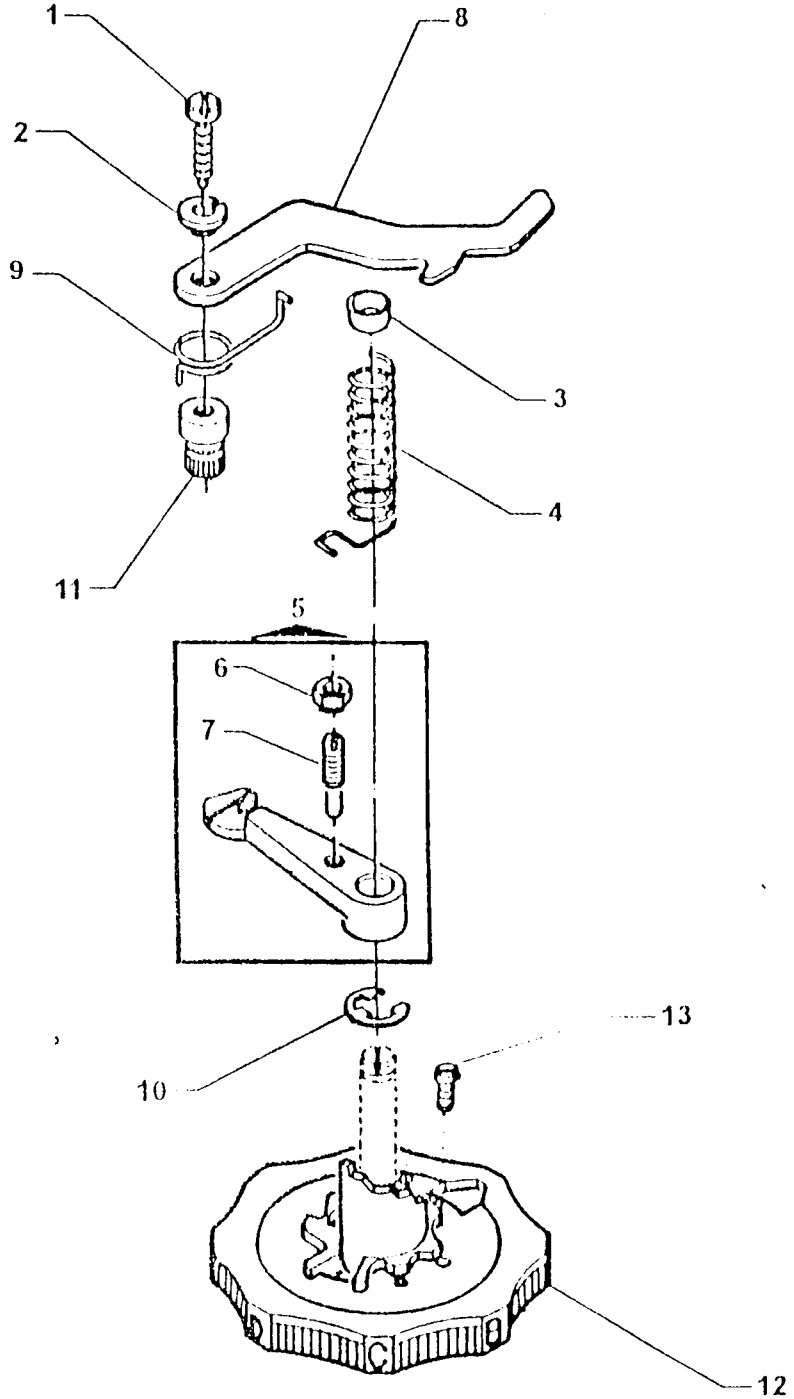
DATA: JAN/99

PART LIST
PATTERN SELECTOR ASSEMBLY

S F 5 C 5 F 5 5
M M 8 M 7 M 8 8
1 1 2 1 8 2 3 3
4 7 5 7 2 2 0 8
5

REF. PART NBR	DESCRIPTION								
01 444923-453	PATTERN SELECTOR LEVER HINGE STUD WASHER	-	-	X	X	X	X	X	X
02 445486	PATTERN SELECTOR LEVER RETAINING RING	-	-	X	X	X	X	X	X
3 356069	PATTERN SELECTOR LEVER COMPLETE	-	-	X	X	X	X	X	X
04 446138	PATTERN SELECTOR DRIVE STUD WASHER	-	-	X	X	X	X	X	X
05 356204-453	NEEDLE POSITION SELECTOR LEVER KNOB	-	-	X	X	X	X	X	X
06 446406	PATTERN SELECTOR CAM SLIDE	-	-	X	X	X	X	X	-
07 113455-001	PATTERN SELECTOR MOUNTING PLATE SCREW	-	-	X	X	X	X	X	X
08 446405	PATTERN SELECTOR MOUNTING PLATE COMPLETE	-	-	X	X	X	X	X	X
09 408030	PATTERN SELECTOR LEVER RETAINING RING	-	-	X	X	X	X	X	X
10 54591-451	DISC FOLLOWER STUD NUT	-	-	X	X	X	X	X	X
11 446415	DISC FOLLOWER DISENGAGING LEVER SPRING	-	-	X	X	X	X	X	X
12 446412	DISC FOLLOWER DISENGAGING LEVER	-	-	X	X	X	X	X	X
13 446411	DISC FOLLOWER DISENGAGING LEVER PLATE ASSEMBLY	-	-	X	X	X	X	X	X
14 445808-452	DISC FOLLOWER DISENGAGING LEVER PLATE ADJUSTING SCREW WASHER	-	-	X	X	X	X	X	X
15 141913-451	DISC FOLLOWER DISENGAGING LEVER PLATE ADJUSTING SCREW	-	-	X	X	X	X	X	X
18 446410	DISC FOLLOWER DISENGAGING LEVER PLATE COMPLETE	-	-	X	X	X	X	X	X
19 446417	PATTERN SELECTOR CAM SLIDE CONNECTING LINK RETAINING RING	-	-	X	X	X	X	X	X
20 353488	PATTERN SELECTOR MOUNTING PLATE SPACER	-	-	X	X	X	X	X	X

PATTERN SELECTOR



REV: _____
DATA: JAN

**PART LIST
PATTERN SELECTOR**

S F 5 C 5 F 5 5
M M 8 M 7 M 8 8
1 1 2 1 8 2 3 3
4 7 5 7 2 2 0 8
5

REF. PART NBR

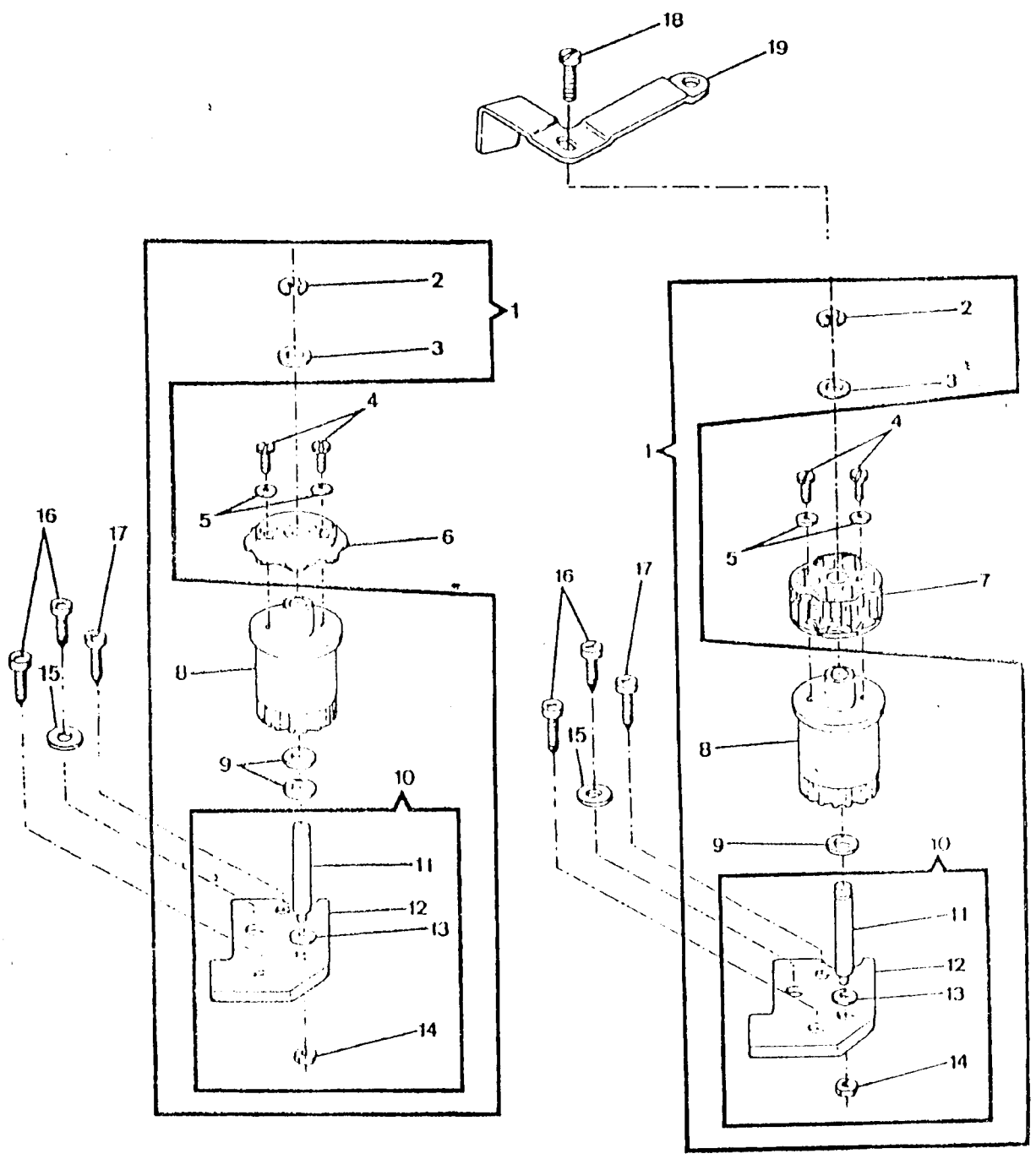
DESCRIPTION

REF. PART NBR	DESCRIPTION	S	F	5	C	5	F	5	5
01 354826-451	DISC FOLLOWER DISENGAGING LEVER SCREW	-	-	-	-	-	-	-	X
02 356751	DISC FOLLOWER DISENGAGING LEVER BUSHING	-	-	-	-	-	-	-	X
03 353548	DISC FOLLOWER STUD WASHER	-	-	-	-	-	-	-	X
04 356768	DISC FOLLOWER SPRING	-	-	-	-	-	-	-	X
05 356770	DISC FOLLOWER COMPLETE	-	-	-	-	-	-	-	X
06 531669-451	DISC FOLLOWER ADJUSTING SCREW STUD NUT	-	-	-	-	-	-	-	X
07 445341	DISC FOLLOWER ADJUSTNG SCREW STUD	-	-	-	-	-	-	-	X
08 356750	DISC FOLLOWER DISENGAGING LEVER	-	-	-	-	-	-	-	X
09 356752	DISC FOLLOWER DISENGAGING LEVER SPRING	-	-	-	-	-	-	-	X
10 444921	DISC SELECTOR CAM RETAINING RING	-	-	-	-	-	-	-	X
11 356753	DISC FOLLOWER DISENGAGING LEVER STUD	-	-	-	-	-	-	-	X
12 356749-461	PATTERN SELECTOR CAM/DIAL	-	-	-	-	-	-	-	X
13 354810-451	PATTERN SELECTOR CAM POSITIONER SCREW	-	-	-	-	-	-	-	X

SM-14, FM17, 5825, CM-17, 57825, FM-22, 5830, 5838 Models.
P/N 357675-001.

Adopt.

CAM STACK



REV: _____
 DATA: JAN/99

**PART LIST
CAM STACK**

S F 5 C 5 F 5 5
M M 8 M 7 M 8 8
1 1 2 1 8 2 3 3
4 7 5 7 2 2 0 8
5

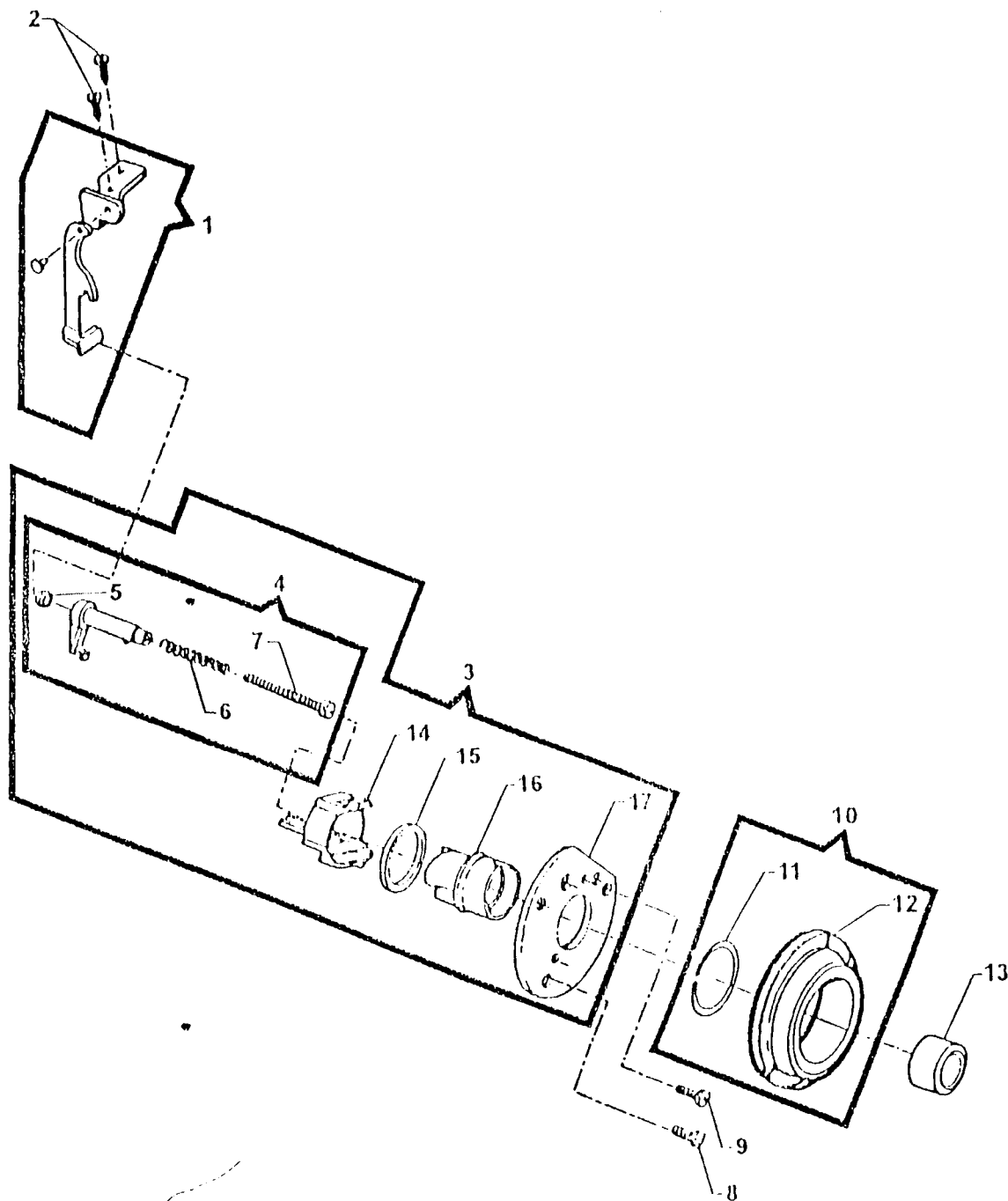
REF. PART NBR DESCRIPTION

REF. PART NBR	DESCRIPTION	S	F	5	C	5	F	5	5
01 446421-930	DISC DRIVING GEAR COMPLETE	X	X	-	-	-	-	-	-
01 353288-930	DISC DRIVING GEAR COMPLETE	-	-	X	X	-	-	-	-
01 353288-931	DISC DRIVING GEAR COMPLETE	-	-	-	-	X	X	X	-
01 356739	DISC DRIVING GEAR COMPLETE	-	-	-	-	-	-	-	X
02 444921	DISC DRIVING GEAR RETAINING RING	X	X	X	X	X	X	X	X
03 444923-453	DISC DRIVING GEAR SHAFT FRICTION WASHER	X	X	X	X	X	X	X	X
04 113375-451	DISC STACK POSITIONING SCREW	X	X	-	-	-	-	-	-
04 141920-452	DISC STACK POSITIONING SCREW	-	-	X	X	X	X	X	X
05 446138	DISC STACK POSITIONING SCREW WASHER	X	X	X	X	X	X	X	X
06 445762	DISC STACK (PLASTIC)	X	X	-	-	-	-	-	-
07 353287	DISC STACK	-	-	X	X	X	X	X	-
07 356740	DISC STACK	-	-	-	-	-	-	-	X
08 179958	DISC DRIVING GEAR	X	X	-	-	-	-	-	-
08 445754	DISC DRIVING GEAR	-	-	X	X	X	X	X	-
08 356741	DISC DRIVING GEAR	-	-	-	-	-	-	-	X
09 353424	DISC DRIVING GEAR SHAFT SPACER	X	X	X	X	X	X	X	X
10 446420	DISC DRIVING GEAR SHAFT MOUNTING PLATE ASSEMBLY	X	X	X	X	-	-	-	-
10 446420-001	DISC DRIVING GEAR SHAFT MOUNTING PLATE ASSEMBLY	-	-	-	-	X	X	X	-
10 531742	DISC DRIVING GEAR SHAFT MOUNTING PLATE ASSEMBLY	-	-	-	-	-	-	-	X
11 446418	DISC DRIVING GEAR SHAFT	X	X	X	X	-	-	-	-
11 446418 001	DISC DRIVING GEAR SHAFT	-	-	-	-	X	X	X	-
11 531743	DISC DRIVING GEAR SHAFT	-	-	-	-	-	-	-	X
12 353575	DISC DRIVING GEAR SHAFT MOUNTING PLATE	X	X	X	X	X	X	X	X
13 353488	DISC DRIVING GEAR SHAFT WASHER	X	X	X	X	X	X	X	X
14 53648-451	DISC DRIVING GEAR SHAFT NUT	X	X	X	X	X	X	X	X
15 353375-451	DISC DRIVING GEAR SHAFT MOUNTING PLATE SCREW WASHER	X	X	X	X	X	X	X	X
16 113435-451	DISC DRIVING GEAR SHAFT MOUNTING PLATE SCREW	X	X	X	X	X	X	X	X
17 113455-001	DISC DRIVING GEAR SHAFT MOUNTING PLATE SCREW	X	X	X	X	X	X	X	X
18 354654-451	DISC DRIVING GEAR (COMPLETE) SUPPORT MOUNTING SCREW	-	-	-	-	X	X	X	X
19 353440-900	DISC DRIVING GEAR (COMPLETE) SUPPORT BRACKET	-	-	-	-	X	X	X	-
19 356778	DISC DRIVING GEAR (COMPLETE) SUPPORT BRACKET	-	-	-	-	-	-	-	X

SM-14, FM17, 5825, CM-17, 57825, FM-22, 5830, 5838 Models.
P/N 357675-001.

Adopt.

FEED REGULATOR CAM



REV: _____

DATA: JAN/99

PART LIST
FEED REGULATOR CAM

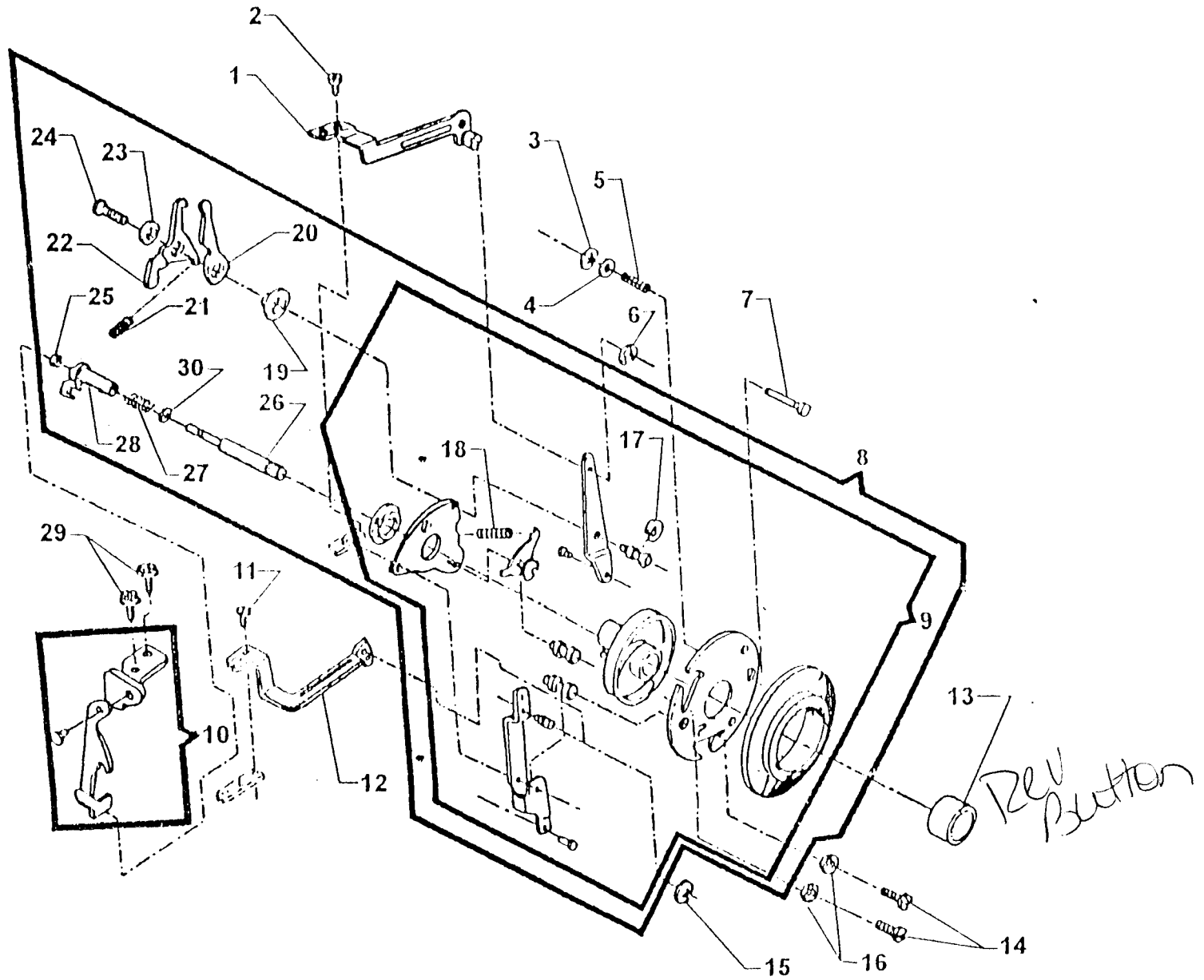
S F 5 C 5 F 5 5
M M 8 M 7 M 8 8
1 1 2 1 8 2 3 3
4 7 5 7 2 2 0 8
5

REF. PART NBR

DESCRIPTION

REF. PART NBR	DESCRIPTION	S	F	5	C	5	F	5	5
01 353304	FEED REGULATOR CONTROL ARM ASSEMBLY	X	X	X	X	X	X	X	X
02 113455-001	FEED REGULATOR CONTROL DIAL MOUTING BRACKET SCREW	X	X	X	X	X	X	X	X
03 353478	FEED REGULATOR CAM COMPLETE	X	X	-	-	-	-	-	-
04 356397	FEED REGULATOR CAM FOLLOWER	X	X	-	-	-	-	-	-
05 618638-005	FEED REGULAOR CAM FOLLOWER POSITIONING SPRING NUT	X	X	X	X	X	X	X	X
; 44892	FEED REGULATOR CAM FOLLOWER POSITIONING SPRING	X	X	X	X	X	X	X	X
07 354975-451	FEED REGULATOR CAM FOLLOWER POSITIONING SCREW	X	X	-	-	-	-	-	-
08 531806-451	FEED REGULATOR MOUTING PLATE SCREW (RIGHT)	X	X	-	-	-	-	-	-
09 531807-451	FEED REGULATOR MPUTING PLATE SCREW (LEFT)	X	X	-	X	X	-	-	-
10 356998-451	FEED REGULATOR CONTROL DIAL ASSEMBLY	X	X	-	-	-	-	-	-
11 445461	FEED REGULATOR CONTROL DIAL RETAINING RING	X	X	-	-	-	-	-	-
12 356997-451	FEED REGULATOR CONTROL DIAL	X	X	-	-	-	-	-	-
13 356115-452	FEED REGULATOR POSITIONING PIN KNOB	X	X	-	-	-	-	-	-
14 446284	FEED REGULATOR MOUTING PLATE	X	X	-	-	-	-	-	-
15 446282	FEED REGULATOR FRICTION WASHER	X	X	-	-	-	-	-	-
16 353477	FEED REGULATOR CAM	X	X	-	-	-	-	-	-
17 446283	FEED REGULATOR MECHANISM MOUTING PLATE	X	X	-	-	-	-	-	-

BUTTONHOLER & FEED REGULATOR CAM



REV: _____
DATA: JAN/99

PART LIST
BUTTONHOLER & FEED REGULATOR CAM

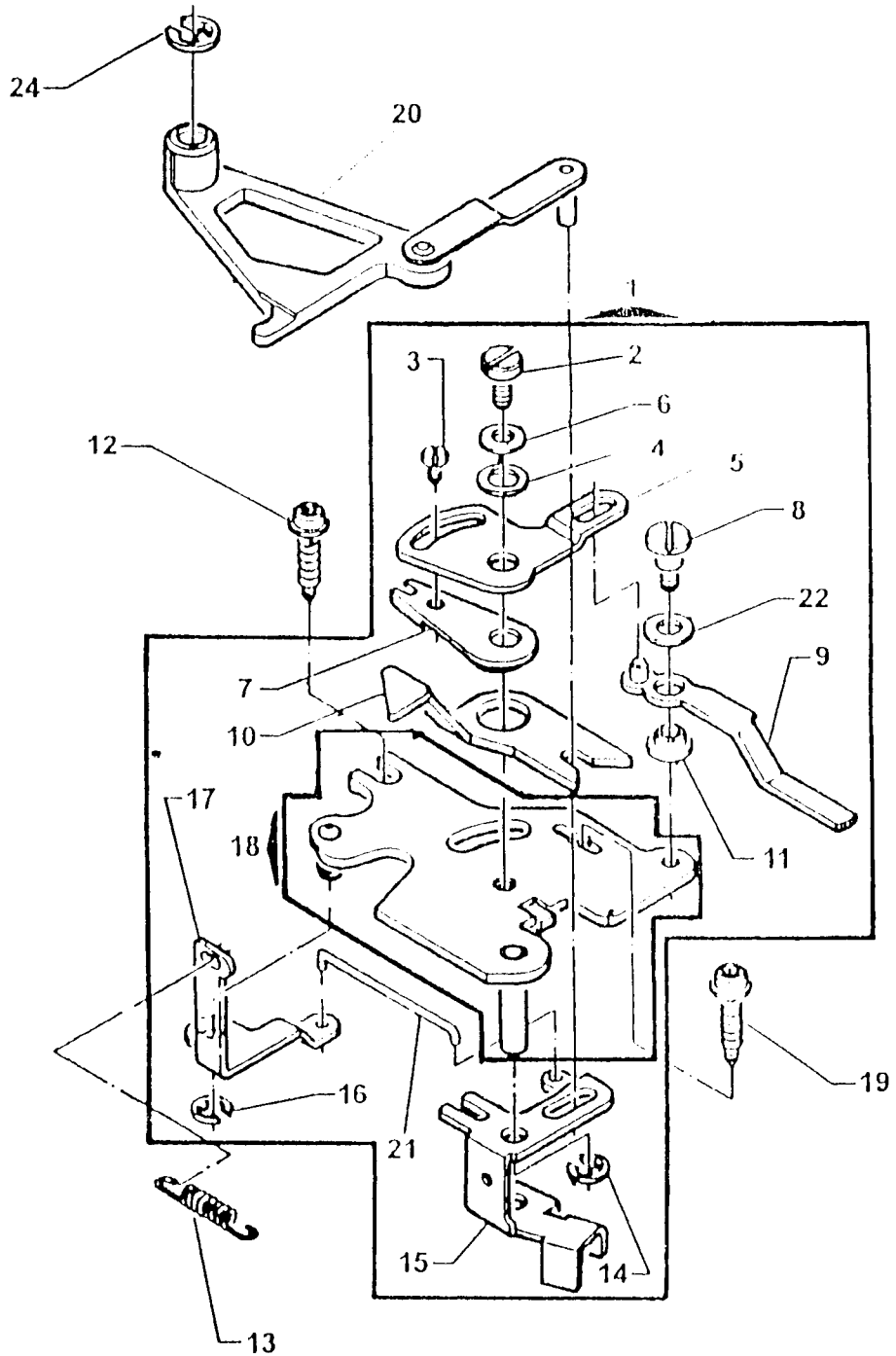
REF. PART NBR	DESCRIPTION	S	F	5	C	5	F	5	5
		M	M	8	M	7	M	8	8
		1	1	2	1	8	2	3	3
		4	7	5	7	2	2	0	8
		5							
01 353536	BUTTONHOLER NEEDLE POSITION CAM FOLLOWER LEVER LINK (RIGHT)	-	-	X	X	X	X	X	X
02 141913-451	BUTTONHOLER NEEDLE POSITION CAM FOLLOWER LEVER LINK (LEFT & RIGHT) SCREW	-	-	X	X	X	X	X	X
03 408030	BUTTONHOLER & FEED REGULATOR MECHANISM MOUNTING PLATE STUD RETAINING RING	-	-	X	X	X	X	X	X
04 445808	BUTTONHOLER & FEED REGULATOR MECHANISM MOUNTING PLATE STUD SPRING WASHER	-	-	X	X	X	X	X	X
05 179949	BUTTONHOLER & FEED REGULATOR MECHANISM MOUNTING PLATE STUD SPRING	-	-	X	X	X	X	X	X
06 445486	BUTTONHOLER BIGHT CONTROL CAM FOLLOWER LEVER LINK (RIGHT) RETAINING RING	-	-	X	X	X	X	X	X
07 356230	BUTTONHOLER & FEED REGULATOR MECHANISM MOUNTING PLATE STUD	-	-	X	X	X	X	X	X
08 357010-XXX	BUTTONHOLER & FEED REGULATOR CAM COMPLETE	-	-	-	-	X	X	X	X
08 357012-XXX	BUTTONHOLER & FEED REGULATOR CAM COMPLETE	-	-	X	X	-	-	-	-
09 357011-XXX	BUTTONHOLER & FEED REGULATOR CAM COMPLETE	-	-	-	-	X	X	X	X
09 357013-XXX	BUTTONHOLER & FEED REGULATOR CAM COMPLETE	-	-	X	X	-	-	-	-
10 353304	FEED REGULATOR CONTROL ARM ASSEMBLY	X	X	X	X	X	X	X	X
11 141913-451	BUTTONHOLER BIGHT CONTROL CAM FOLLOWER LEVER LINK (LEFT & RIGHT) SCREW	-	-	X	X	X	X	X	X
12 356748	BUTTONHOLER BIGHT CONTROL CAM FOLLOWER LEVER LINK (RIGHT)	-	-	X	X	X	X	X	X
13 356653-XXX	FEED REGULATOR POSITIONING PIN KNOB	-	-	X	X	X	X	X	X
14 113513-451	BUTTONHOLER & FEED REG. MECHANISM MOUNTING PLATE SCREW	-	-	X	X	X	X	X	X
15 445486	BUTTONHOLER BIGHT CONTROL CAM FOLLOWER LEVER LINK (RIGHT) RETAINING RING	-	-	X	X	X	X	X	X
16 53640-819	BUTTONHOLER & FEED REGULATOR MECHANISM MOUNTING PLATE SCREW NUT	-	-	X	X	X	X	X	X
17 353215	BUTTONHOLER NEEDLE POSITION CAM FOLLOWER LEVER RETAINING RING	-	-	X	X	X	X	X	X
18 353495	BUTTONHOLER & FEED REGULATOR CONTROL DIAL PAWL SPRING	-	-	X	X	X	X	X	X
19 353319	CAM CONTROL FEED ENGAGING CAM FOLLOWER & LEVER BUSHING	-	-	X	X	X	X	X	X
20 353321	CAM CONTROL FEED ENGAGING CAM FOLLOWER LEVER	-	-	X	X	X	X	X	X
21 353495	CAM CONTROL FEED ENGAGING CAM FOLLOWER & LEVER SPRING	-	-	X	X	X	X	X	X
22 353320	CAM CONTROL FEED ENGAGING CAM FOLLOWER	-	-	X	X	X	X	X	X
23 445539	CAM CONTROL FEED ENGAGING CAM FOLLOWER & LEVER SCREW	-	-	X	X	X	X	X	X
24 113372-451	CAM CONTROL FEED ENGAGING CAM FOLLOWER & LEVER MOUNTING SCREW	-	-	X	X	X	X	X	X
25 618638-005	FEED REGULATOR POSITIONING PIN CARRIER INSERT NUT	-	-	X	X	X	X	X	X
26 356650	FEED REGULATOR POSITIONING PIN	-	-	X	X	X	X	X	X
27 44892	FEED REGULATOR POSITIONING PIN FRICTION SPRING	-	-	X	X	X	X	X	X
28 357094	FEED REGULATOR POSITIONING PIN CARRIER	-	-	X	X	X	X	X	X
29 113455-001	FEED REGULATOR CONTROL ARM SCREW	X	X	X	X	X	X	X	X
30 356830-001	FEED REGULATOR POSITIONING PIN WASHER	-	-	X	X	X	X	X	X

NOTE: PLEASE WHEN NEED THE PART NUMBER(—XXX), INDICATE THE MACHINE MODEL WHERE WILL BE USED

SM-14, FM17, 5825, CM-17, 57825, FM-22, 5830, 5839 Models.
P/N 357675-001.

Adopt.

CAM CONTROLLED FEED



REV: _____
DATA: JAN/99

PART LIST
CAM CONTROLLED FEED

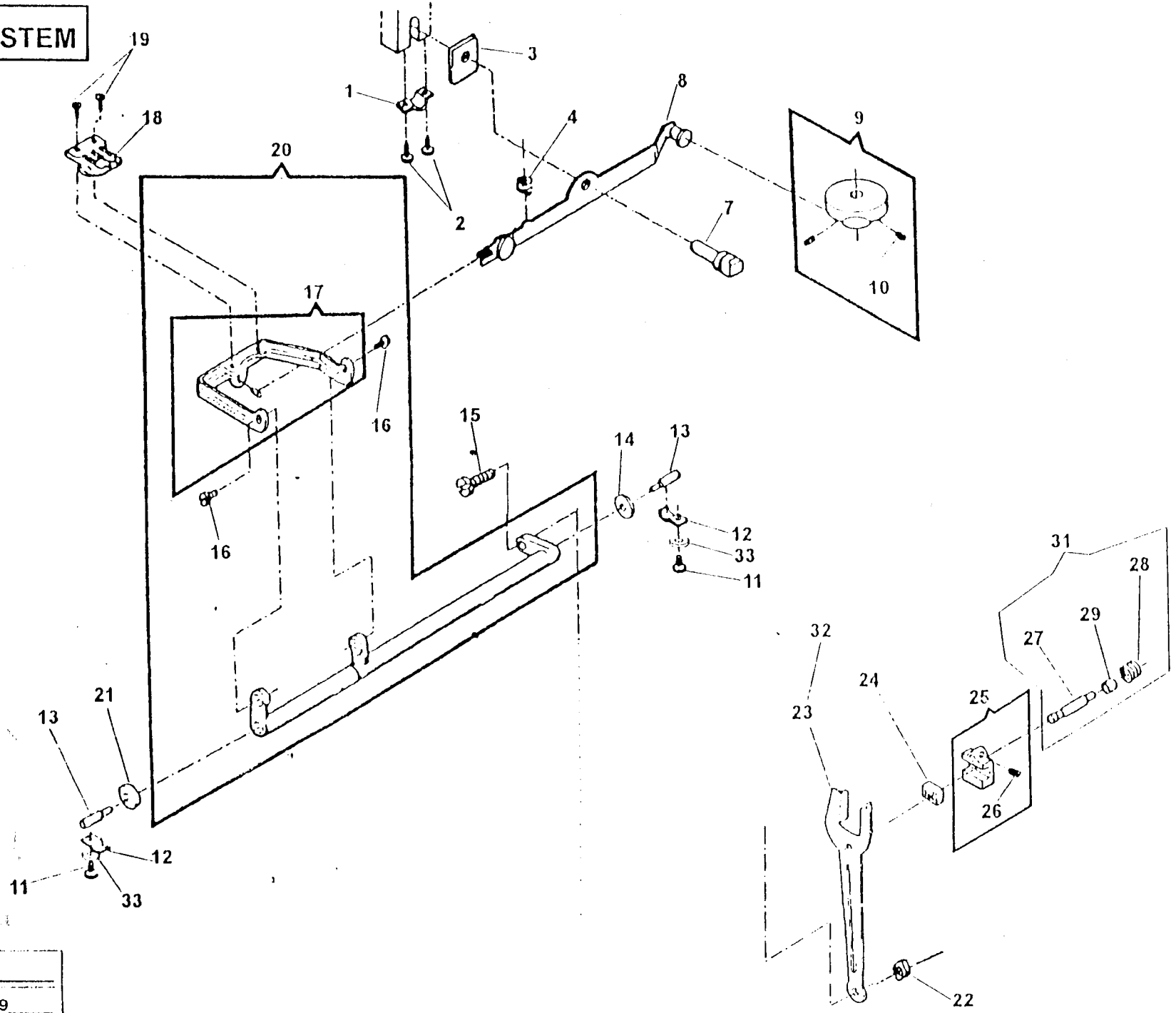
S F 5 C 5 F 5 5
M M 8 M 7 M 8 8
1 1 2 1 8 2 3 3
4 7 5 7 2 2 0 8
5

REF. PART NBR	DESCRIPTION								
01 356074	CAM CONTROLLED FEED MOUNTING BRACKET COMPLETE								
02 113423-451	CAM CONTROLLED FEED BALANCE ADJUSTING PLATE HINGE SCREW	-	-	-	-	X	X	X	X
03 141913-451	CAM CONTROLLED FEED BALANCE ADJUSTING SCREW	-	-	-	-	X	X	X	X
04 353492	CAM CONTROLLED FEED BALANCE ADJUSTING SCREW SPRING WASHER	-	-	-	-	X	X	X	X
05 531754	CAM CONTROLLED FEED BALANCE ADJUSTING PLATE	-	-	-	-	X	X	X	X
06 543531	CAM CONTROLLED FEED BALANCE ADJUSTING SCREW WASHER	-	-	-	-	X	X	X	X
07 353331	CAM CONTROLLED FEED DRIVING ARM ECCENTRIC	-	-	-	-	X	X	X	X
08 113424-451	CAM CONTROLLED FEED BALANCE ADJUSTING LEVER HINGE SCREW	-	-	-	-	X	X	X	X
09 356076-452	CAM CONTROLLED FEED BALANCE ADJUSTING LEVER ASSEMBLY	-	-	-	-	X	X	X	X
10 353330-001	CAM CONTROLLED FEED DRIVING ARM	-	-	-	-	X	X	X	X
11 353334	CAM CONTROLLED FEED BALANCE ADJUSTING LEVER MOUNTING BUSHING	-	-	-	-	X	X	X	X
12 355243-451	CAM CONTROLLED FEED MOUNTING BRACKET SCREW	-	-	-	-	X	X	X	X
13 356605	FEED REGULATOR CONTROL ARM BIAS LINK SPRING	-	-	-	-	X	X	X	X
14 445721	CAM CONTROLLED FEED ENGAGING CRANK RETAINING RING	-	-	-	-	X	X	X	X
15 353329	CAM CONTROLLED FEED ENGAGING CRANK	-	-	-	-	X	X	X	X
16 445486	CAM CONTROLLED FEED FOLLOWER & LINK RETAINING RING	-	-	-	-	X	X	X	X
17 356166	CAM CONTROLLED FEED ENGAGING CRANK LEVER	-	-	-	-	X	X	X	X
18 531750	CAM CONTROLLED FEED MOUNTING BRACKET ASSEMBLY	-	-	-	-	X	X	X	X
19 113455-003	CAM CONTROLLED FEED MOUNTING BRACKET SCREW (RIGHT)	-	-	-	-	X	X	X	X
20 356839	CAM CONTROLLED FEED FOLLOWER & LINK ASSEMBLY	-	-	-	-	-	-	-	X
20 353335	CAM CONTROLLED FEED FOLLOWER & LINK ASSEMBLY	-	-	-	-	X	X	X	-
21 353473	CAM CONTROLLED FEED ENGAGING CRANK LINK	-	-	-	-	X	X	X	X
22 179898-001	CAM CONTROLLED FEED BALANCE ADJUSTING LEVER WASHER	-	-	-	-	X	X	X	X
24 445486	CAM CONTROLLED FEED FOLLOWER & LINK ASSEMBLY RETAINING RING	-	-	X	X	X	X	X	X

SM-14, FM17, 5825, CM-17, 57825, FM-22, 5830, 5838 Models.
P/N 357675-001.

Adopt.

FEED SYSTEM



REV: _____
DATE: JAN/99

**PART LIST
FEED SYSTEM**

S F 5 C 5 F 5 5
M M 8 M 7 M 8 8
1 1 2 1 8 2 3 3
4 7 5 7 2 2 0 8
5

REF. PART NBR

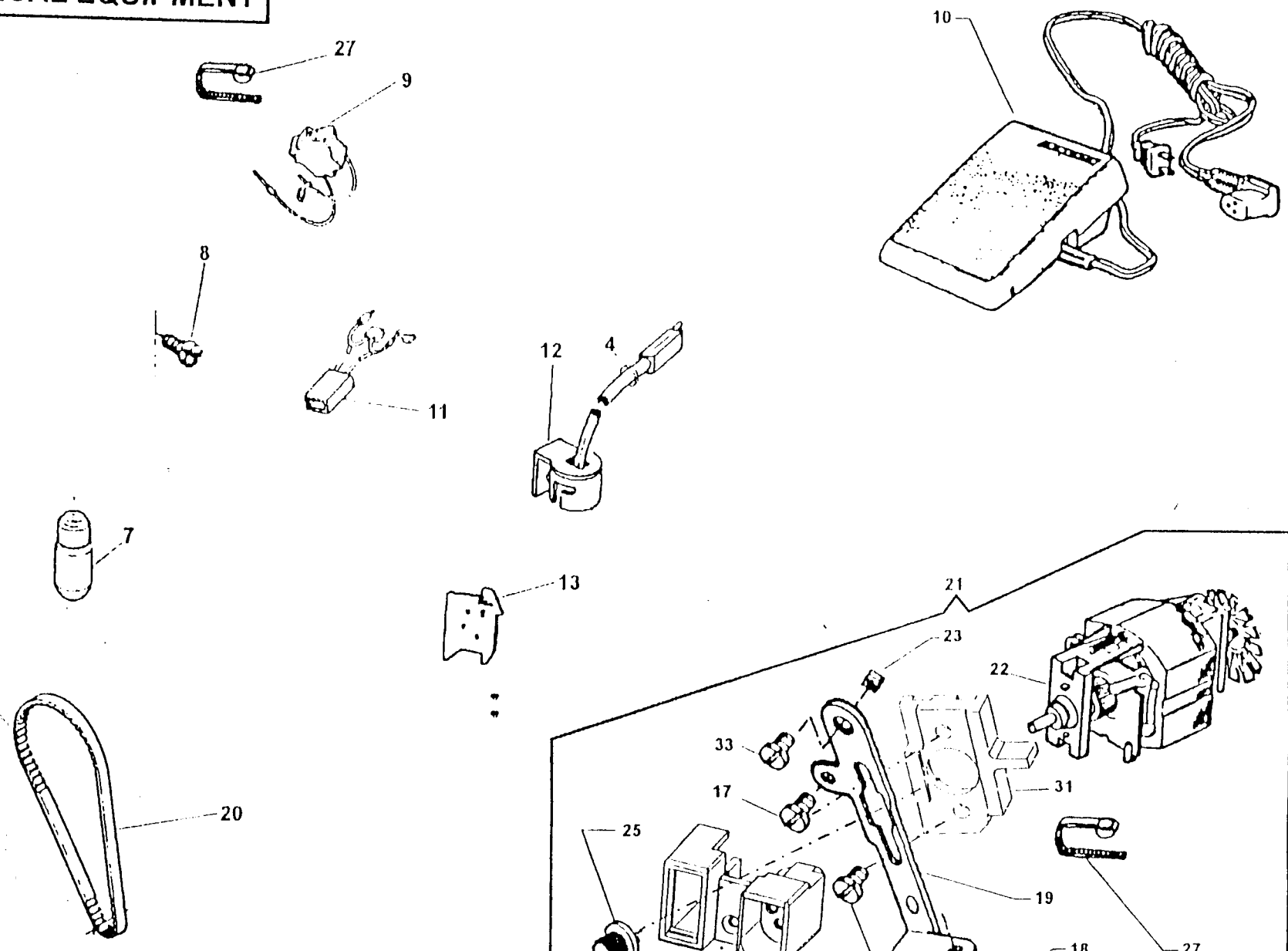
DESCRIPTION

01	446485	FEED LIFTING LEVER HINGE STUD (ECCENTRIC) CLAMP	X	X	X	X	X	X	X	X	X	X	X	X	X	X	X	X	X	X	X	X
02	113455-001	FEED LIFTING LEVER HINGE STUD (ECCENTRIC) CLAMP SCREW	X	X	X	X	X	X	X	X	X	X	X	X	X	X	X	X	X	X	X	X
03	179955	FEED LIFTING LEVER HINGE STUD (ECCENTRIC) SPACER	X	X	X	X	X	X	X	X	X	X	X	X	X	X	X	X	X	X	X	X
04	446249	FEED LIFTING LEVER SPRING	X	X	X	X	X	X	X	X	X	X	X	X	X	X	X	X	X	X	X	X
07	357122	FEED LIFTING LEVER HINGE STUD (ECCENTRIC)	X	X	X	X	X	X	X	X	X	X	X	X	X	X	X	X	X	X	X	X
08	356222-001	FEED LIFTING LEVER ASSEMBLY	X	X	X	X	X	X	X	X	X	X	X	X	X	X	X	X	X	X	X	X
09	446228	FEED LIFTING CAM	X	X	X	X	X	X	X	X	X	X	X	X	X	X	X	X	X	X	X	X
10	544118	FEED LIFTING CAM SCREW	X	X	X	X	X	X	X	X	X	X	X	X	X	X	X	X	X	X	X	X
11	113455-001	FEED ROCK SHAFT CENTER SUPPORTING BRACKET SCREW	X	X	X	X	X	X	X	X	X	X	X	X	X	X	X	X	X	X	X	X
12	446484	FEED ROCK SHAFT CENTER CLAMP (LEFT & RIGHT)	X	X	X	X	X	X	X	X	X	X	X	X	X	X	X	X	X	X	X	X
13	446487-001	FEED ROCK SHAFT CENTER	X	X	X	X	X	X	X	X	X	X	X	X	X	X	X	X	X	X	X	X
14	353397	FEED ROCK SHAFT CENTER (RIGHT) NOISE DAMPENING WASHER	X	X	X	X	X	X	X	X	X	X	X	X	X	X	X	X	X	X	X	X
15	531623-451	FEED FORKED CONNECTING HINGE SCREW (ECCENTRIC)	X	X	X	X	X	X	X	X	X	X	X	X	X	X	X	X	X	X	X	X
16	354939-451	FEED BAR HINGE SCREW	X	X	X	X	X	X	X	X	X	X	X	X	X	X	X	X	X	X	X	X
17	446205	FEED BAR ASSEMBLY	X	X	X	X	X	X	X	X	X	X	X	X	X	X	X	X	X	X	X	X
18	179891	FEED DOG	X	X	X	X	X	X	X	X	X	X	X	X	X	X	X	X	X	X	X	X
19	355235-451	FEED DOG SCREW	X	X	X	X	X	X	X	X	X	X	X	X	X	X	X	X	X	X	X	X
20	446216	FEED ROCK SHAFT COMPLETE	X	X	X	X	X	X	X	X	X	X	X	X	X	X	X	X	X	X	X	X
21	353397	FEED ROCK SHAFT CENTER (LEFT) NOISE DAMPENING WASHER	X	X	X	X	X	X	X	X	X	X	X	X	X	X	X	X	X	X	X	X
22	53648-451	FEED FORKED CONNECTING SCREW STUD NUT	X	X	X	X	X	X	X	X	X	X	X	X	X	X	X	X	X	X	X	X
23	531926	FEED FORKED CONNECTING	X	X	X	X	X	X	X	X	X	X	X	X	X	X	X	X	X	X	X	X
24	44437	FEED FORKED CONNECTING SLIDE BLOCK	X	X	X	X	X	X	X	X	X	X	X	X	X	X	X	X	X	X	X	X
25	446244	FEED REGULATOR ASSEMBLY	X	X	X	X	X	X	X	X	X	X	X	X	X	X	X	X	X	X	X	X
26	141925-833	FEED REGULATOR SET SCREW	X	X	X	X	X	X	X	X	X	X	X	X	X	X	X	X	X	X	X	X
27	446483	FEED REGULATOR HINGE STUD	X	X	X	X	X	X	X	X	X	X	X	X	X	X	X	X	X	X	X	X
28	179890	FEED REGULATOR RETURN SPRING	X	X	X	X	X	X	X	X	X	X	X	X	X	X	X	X	X	X	X	X
29	445768	FEED REGULATOR RETURN SPRING BUSHING (PLASTIC)	X	X	X	X	X	X	X	X	X	X	X	X	X	X	X	X	X	X	X	X
31	353600	FEED REGULATOR HINGE STUD ASSEMBLY	X	X	X	X	X	X	X	X	X	X	X	X	X	X	X	X	X	X	X	X
32	531927	FEED FORKED CONNECTION WITH SLIDE BLOCK	X	X	X	X	X	X	X	X	X	X	X	X	X	X	X	X	X	X	X	X
33	353357-451	FEED ROCK SHAFT CENTER SUPPORTING BRACKET SCREW WASHER	X	X	X	X	X	X	X	X	X	X	X	X	X	X	X	X	X	X	X	X

SM-14, FM17, 5825, CM-17, 57825, FM-22, 5830, 5838 Models.
P/N 357675-001.

Adopt.

ELECTRICAL EQUIPMENT



REV: _____
DATE: JAN/99

PART LIST
ELECTRICAL EQUIPMENT

S F 5 C 5 F 5 5
M M 8 M 7 M 8 8
1 1 2 1 8 2 3 3
4 7 5 7 2 2 0 8
5

REF. PART NBR	DESCRIPTION	
04	179908 LIGHT LEAD GROMMET	X X X X X X X X
07	988076-001 LAMP (120V)	X X X X X X X X
08	354592-451 LIGHT SOCKET MOUNTING SCREW	X X X X X X X X
09	REFER TO CHARTS ON FOLLOWING PAGES	
10	REFER TO CHARTS ON FOLLOWING PAGES	
11	REFER TO CHARTS ON FOLLOWING PAGES	
12	REFER TO CHARTS ON FOLLOWING PAGES	
13	179910-451 LIGHT SHIELD (WITH GRAPHICS) (FOR US/CANADA)	X X X X X X X X
17	362264-901 MOTOR MOUNTING PLATE CLAMP SCREW	X X X X X X X X
18	113370-451 MOTOR MOUNTING PLATE SCREW (LOWER)	X X X X X X X X
19	356803-901 MOTOR MOUNTING PLATE	X X X X X X X X
20	353518-001 MOTOR BELT (V)	X X X X X X X X
21	REFER TO CHARTS ON FOLLOWING PAGES	
22	REFER TO CHARTS ON FOLLOWING PAGES	
23	313470-452 MOTOR MOUNTING PLATE SCREW NUT	X X X X X X X X
25	988761-001 MOTOR PULLEY	X X X X X X X X
26	REFER TO CHARTS ON FOLLOWING PAGES	
27	605600-004 TYE RAP	X X X X X X X X
31	362237-901 MOTOR MOUNTING PLATE SPACER	X X X X X X X X
32	362263-901 MOTOR MOUNTING PLATE SPACER SCREW	X X X X X X X X
33	113372-451 MOTOR MOUNTING PLATE SCREW (UPPER)	X X X X X X X X

On 1-1, FM17, 5825, CM-17, 57825, FM-22, 5830, 5838 Models.
PIN 357675-001.

Adopt.

ELECTRICAL EQUIPMENT

REF.		SCHOOL MODEL			
		U.S.	CANADA	U.S.	CANADA
	1 SPEED UNSUPRESSED	(120V)	(120V)	(120V)	(120V)
12	LIGHT COMPLETE	362160-002	362160-002	362160-003	362160-003
21	MOTOR COMPLETE	362180-012	362180-012	362180-012	362180-012
22	SERIES MOTOR MODULE	988752-010	988752-010	988752-010	988752-010
26	COMUTATOR END	362239-012	362239-012	362239-012	362239-012
10	CONTROLLER	362095-001	362095-001	362095-001	362095-001
09	SWITCH COMPLETE	362307-003	362307-003	362307-003	362307-003
11	LIGHT CONNECTOR HARNESS	988764-005	988764-005	988764-005	988764-005

REV: _____
 DATA: **JAN/99**