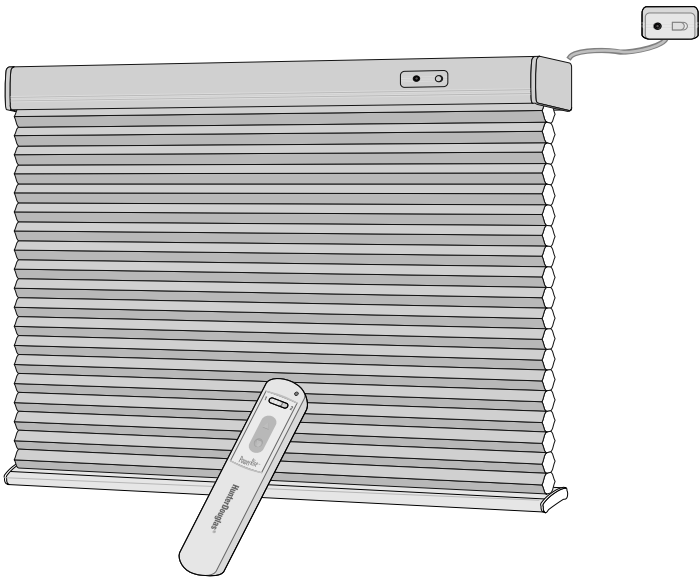


Owner's Guide

Duette® Honeycomb Shades



PowerRise® Battery Operated Shades

HunterDouglas
window fashions

OPERATING INSTRUCTIONS

CONTENTS

Before You Begin	2
Channel Selection	2
Reset The Shade	3
Lower And Raise The Shade	3
Use The Manual Control Button	4
Set And Clear The Memory Stop	4
Replace The Shade Batteries	5
Replace The Remote Control Batteries	7
PowerRise® Timer (Optional)	7
Troubleshooting Procedures	8
Care And Cleaning	10
Installation Instructions	11

BEFORE YOU BEGIN

Thank you for purchasing Duette® with PowerRise® battery operated shades. Operation has been designed to be as simple as possible. Before using your new shade, please review the instructions to acquaint yourself with all of the procedures.

If any assistance with operation is necessary, call the Hunter Douglas Customer Information Center at:

1-888-501-8364

Channel Selection

Duette with PowerRise shades operate on specially designated channels, Channel 1 or Channel 2. *To operate the shade, the remote control must be set on the same channel as the shade.*

Shades are set on Channel 1 unless specified for Channel 2 at the time of ordering. When specified, for example with adjacent or stacked shades, shades are set to Channel 2. A decal, which is visible when lifting the cover rail, is attached to the motor housing and indicates Channel 2 operation.

CHANNEL 2 OPERATION

To change channel designations, refer to “Channel Selection” on page 20.

Reset The Shade

Note: Duette® with PowerRise® shades must be reset before the first use.

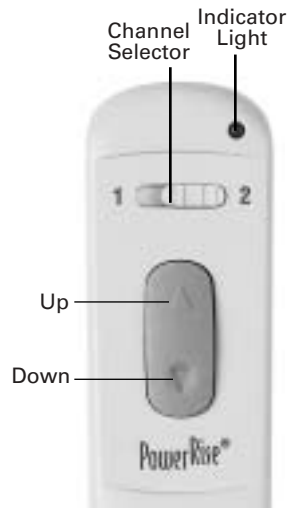
- Using the remote control, press and release the DOWN ▼ button to lower the shade completely.
- With the shade completely lowered, press and hold the DOWN ▼ button for 5 seconds. This will clear the memory and the shade can be operated normally.

Lower And Raise The Shade

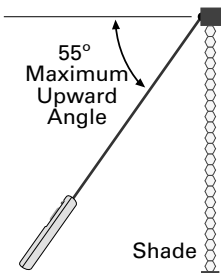
Note: For standard operation, press and *release* the remote control button. Only hold the button if directed to do so.

- Point the remote control at the infrared eye located on either the headrail or the satellite eye and press the DOWN ▼ button to lower the shade. Press the UP ▲ button to raise the shade.
 - To stop the shade *before* it is fully lowered, press the DOWN ▼ button a second time.
 - To stop the shade *before* it is fully raised, press the UP ▲ button a second time.

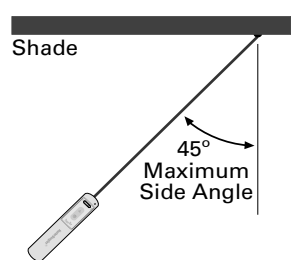
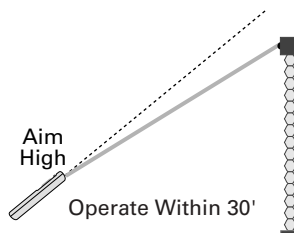
Note: Refer to the illustrations below for tips on aiming the remote control.



Side View



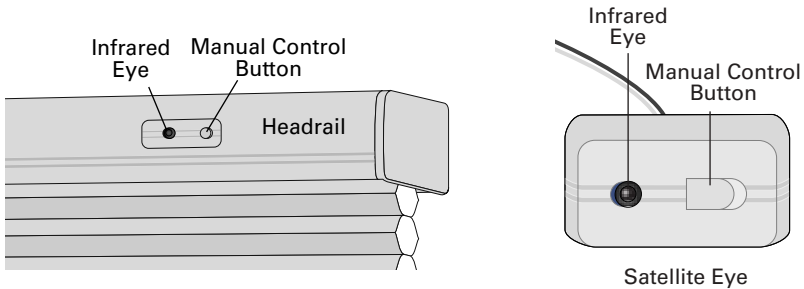
Overhead View



Use The Manual Control Button

The manual control button is located next to the infrared eye on the headrail or the satellite eye.

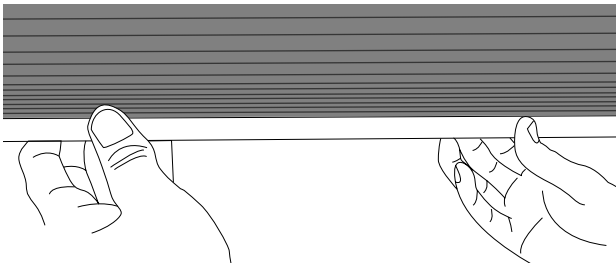
- Pressing the button will alternately lower, stop, and raise the shade.



Set And Clear The Memory Stop

The Memory Stop feature sets the shade so that it can be raised to the same height every time.

- With the shade fully lowered, press the UP ▲ button to raise the shade.
- When the shade reaches the desired height, stop its motion by firmly grasping the bottom rail with both hands, keeping the rail level.



- The motor will hesitate and then shut off.
- The Memory Stop will be set, and the shade will automatically stop at that point each time it is raised. Until the Memory Stop is cleared, the shade cannot be raised any higher.

To clear the Memory Stop, lower the shade completely and then press the DOWN ▼ button on the remote control for 5 seconds.

Replace The Shade Batteries

With normal use, the shade batteries will last a year and a half or more. Replace them when the shade starts to operate slowly or when the shade raises to a certain point and stops. *Do not wait until the batteries completely lose power and the shade movement stops.*

Note: Only use alkaline batteries. Do not use rechargeable batteries.

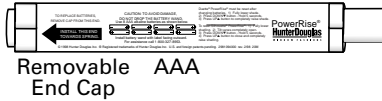
Battery Wand

- Open the front of the headrail until the cover locks into place.

Battery Wands



AA Battery Wands Are Used On Shades Over 26" Wide



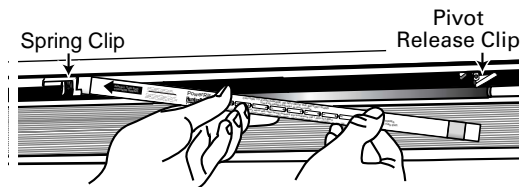
AAA Battery Wands Are Used On Shades Under 26" Wide

- Remove the battery wand by pressing against the pivot release clip, as shown on the next page.
- Replace the batteries according to the instructions on the battery wand label.
- Reinstall the wand into the headrail, as shown on the next page.

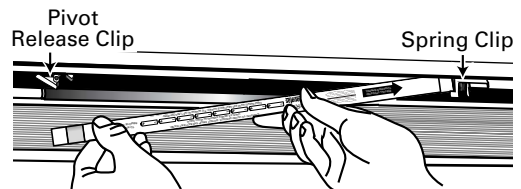
Note: The battery wand is always installed with the *label facing you*.

- For AA battery wands, place the end of the wand with the *non-removable end cap* into the spring clip. The arrow on the label of the battery wand should **point toward** the spring clip.

AA Battery Wand



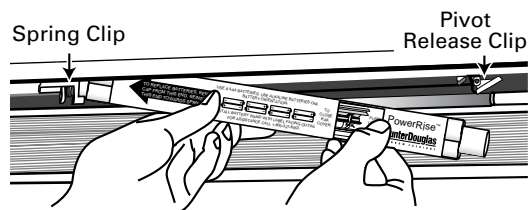
Infrared Eye On The Right Side Of The Shade



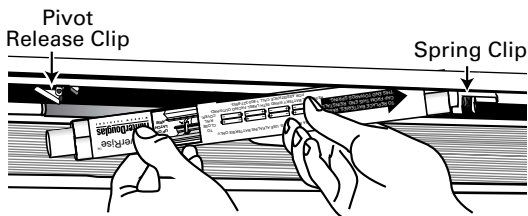
Infrared Eye On The Left Side Of The Shade

- For AAA battery wands, place the end of the wand with the *removable end cap* into the spring clip. The arrow on the label of the battery wand should **point toward** the spring clip.

AAA Battery Wand



Infrared Eye On The Right Side Of The Shade



Infrared Eye On The Left Side Of The Shade

- Push the other end of the wand into the pivot release clip and snap closed.
- Make sure the wand is securely seated in both the spring clip and pivot release clip.

- Close the cover of the headrail.
- Allow 30 seconds for the system to power up.

Satellite Battery Pack (Optional)

- Press the circular latch at the wire end of the battery pack and lift off the cover.
- Install the new batteries according to the directions on the inside of the battery pack cover.
- Replace the cover, snapping it securely closed.



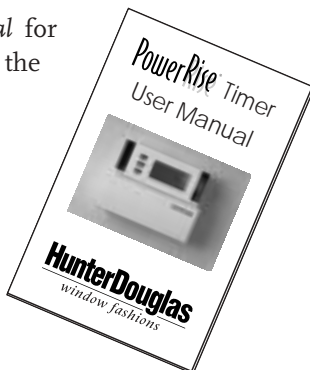
Replace The Remote Control Batteries

- Remove the back center panel of the remote control by pushing down on the latch and pulling it out. Remove both AAA batteries inside.
- Replace the batteries with two new AAA alkaline batteries as shown inside the remote control.
- Replace the back cover panel.



PowerRise® Timer (Optional)

Please refer to the *PowerRise® Timer User Manual* for specific instructions on how to program and use the timer.



TROUBLESHOOTING PROCEDURES

Problem

Symptom/Solution

The shade does not operate using either the remote control or the manual control button.

- Check that the battery wand is oriented correctly in the headrail.
- Check that the battery wand is completely inserted in the clips and fits snugly in the headrail.
- Check that the batteries in the wand are installed correctly and fresh. See “Replace the Shade Batteries” on page 5.
- Check that the AC transformer, if used, is securely plugged into the wall outlet and that the outlet has power. To check that the outlet has power, plug in a lamp or device that is known to work.
- Check that the AC transformer, if used, is securely connected to the motor. See “Install The AC Transformer” on page 14.

The shade operates using the manual control button but does not operate using the remote control.

- Check that the correct channel is selected on the remote. See “Channel Selection” on page 2.
- If the red light on the remote control does not light up when the ▼/▲ buttons are pressed, replace the batteries in the remote control. See “Replace The Remote Control Batteries” on page 7.
- Check that you are pointing the remote control directly at the infrared eye. See “Lower And Raise The Shade” on page 3. Try moving closer to the eye. Maximum operating distance from the remote control is 30 feet.
- Check that there are no obstructions impeding the signal from the remote control to the infrared eye.
- Check that there is no direct sunlight or bright, focused light from halogen or fluorescent light fixtures, track lighting, spotlights, or neon lights that could be interfering with the signal.

TROUBLESHOOTING PROCEDURES

Problem	Symptom/Solution
The shade does not lower completely.	<ul style="list-style-type: none">• Check for obstructions in the shade's path.
The shade does not raise completely.	<ul style="list-style-type: none">• The Memory Stop may be activated. See "Set And Clear The Memory Stop" on page 4.• Check the batteries and replace if necessary.
The shade does not hang correctly.	<ul style="list-style-type: none">• Check that the mounting brackets are level.
Adjacent shades do not stack evenly.	<ul style="list-style-type: none">• If one shade is stacking tighter than another, it has probably been reset. Simply lower and raise the shade to loosen the stack. The shade stack on both shades should be within $\frac{5}{16}$" of each other.• For more exact stacking, use the Memory Stop feature. See "Set And Clear The Memory Stop" on page 4.
The shade operation is slowing.	<ul style="list-style-type: none">• Remove the battery wand and replace the batteries. See "Replace The Shade Batteries" on page 5.

CARE AND CLEANING

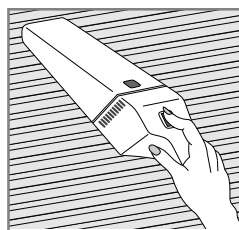
Duette® with PowerRise® honeycomb shades are as durable as they are beautiful. With proper installation and care, they will provide many years of beauty and performance.

The honeycomb fabric is anti-static and dust resistant. Light dusting is all that is generally needed to keep your shade looking like new.

CAUTION: Never submerge the headrail in any solution.

Routine Cleaning

- Use a feather duster for regular, light dusting.
- For more thorough dust removal, light vacuuming using a brush attachment or hand-held vacuum with low suction is recommended.
- The headrail and remote control may be wiped clean with a damp sponge and mild detergent.



Spot-Cleaning

To reduce the potential for permanent staining, spots should be cleaned as soon as possible.

- Use a soft cloth or sponge moistened with lukewarm water.
- Add mild detergent if necessary.
- Gently blot the spot. Avoid rubbing the fabric since any abrasive action may cause it to distort.
- Let the shade dry in the completely lowered position.

CAUTION: Do not spot-clean Batiste, Commercial, Opalescence™, or Royale fabrics.

Deep Cleaning

- Water immersion cleaning methods are **not** recommended for PowerRise honeycomb shades. **Do not dry clean or use injection/extraction or ultrasonic cleaning methods with your PowerRise shades.**

INSTALLATION INSTRUCTIONS

CONTENTS

Before You Begin	11
Materials Included	12
Tools And Supplies Needed	12
Install The Battery Wand	13
Install The Satellite Battery Pack Or AC Transformer (Optional)	14
Mount The Installation Brackets	15
Inside Mount Applications	16
Outside Mount Applications	17
End Mount Applications	18
Install The Shade	18
Remove The Shade	19
Test Operation	20
Mount The Satellite Components (Optional)	22

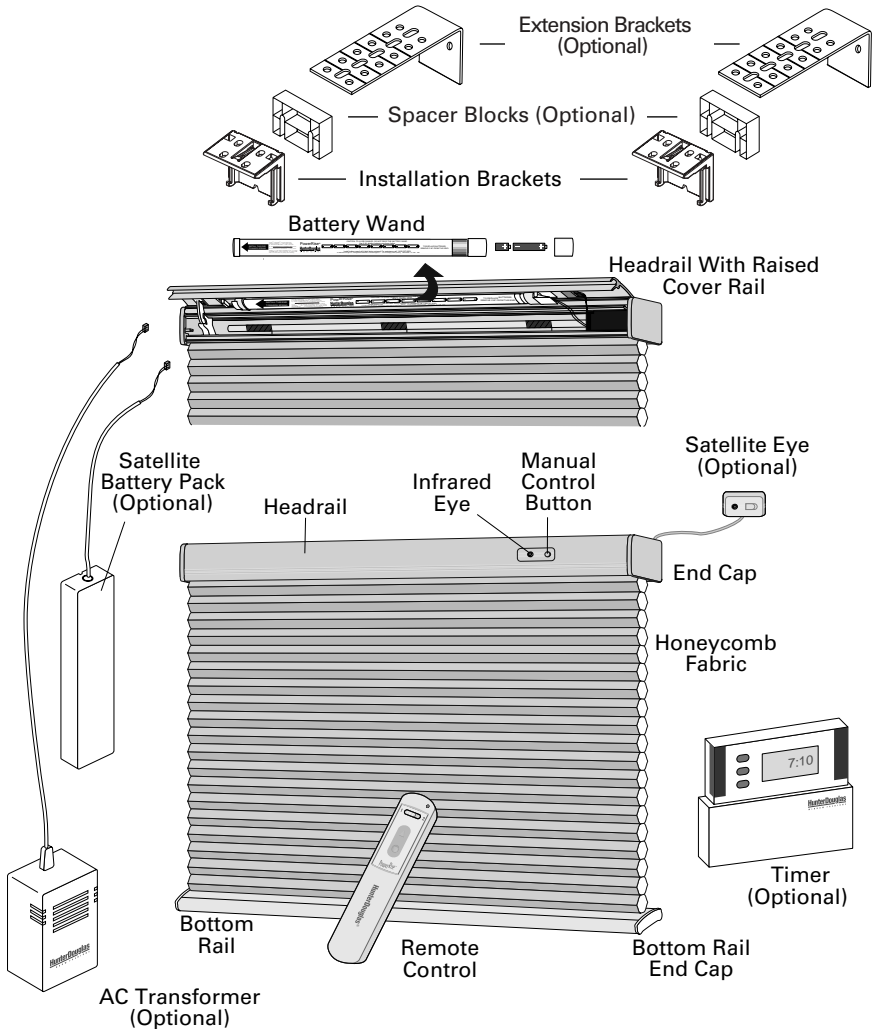
BEFORE YOU BEGIN

Thank you for purchasing Duette® with PowerRise® battery operated shades. Installation has been designed to be as quick and easy as possible. Before beginning, please review the instructions to acquaint yourself with all of the procedures.

If any assistance with installation is necessary, call the Hunter Douglas Customer Information Center at:

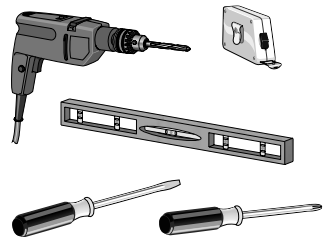
1-888-501-8364

MATERIALS INCLUDED



TOOLS AND SUPPLIES NEEDED

- Measuring Tape
- Carpenter's Level
- Power Drill and Drill Bits
- Screwdrivers (Flat Blade and Phillips)
- Be sure the screws (included) contact wood studs for secure mounting. Otherwise, use fasteners such as expansion bolts, toggle bolts, molley bolts, or anchors (not included).



INSTALL THE BATTERY WAND

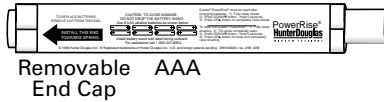
Note: Only use alkaline batteries. Do not use rechargeable batteries.

- Install the batteries according to the instructions on the battery wand label.
- Install the wand into the headrail.

Battery Wands



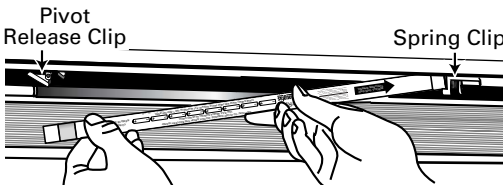
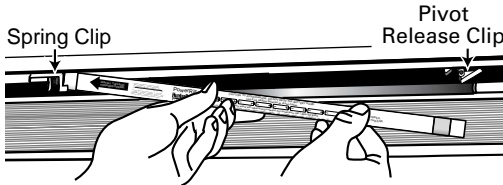
AA Battery Wands Are Used On Shades Over 26" Wide



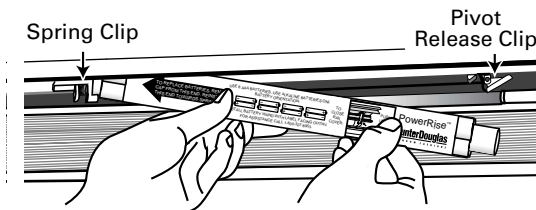
AAA Battery Wands Are Used On Shades Under 26" Wide

Note: The battery wand is always installed with the *label facing you*.

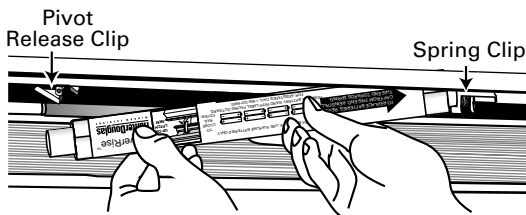
- For AA battery wands, place the end of the wand with the *non-removable end cap* into the spring clip. The arrow on the label of the battery wand should **point toward** the spring clip.



- For AAA battery wands, place the end of the wand with the *removable end cap* into the spring clip. The arrow on the label of the battery wand should **point toward** the spring clip.



Infrared Eye On The Right Side Of The Shade



Infrared Eye On The Left Side Of The Shade

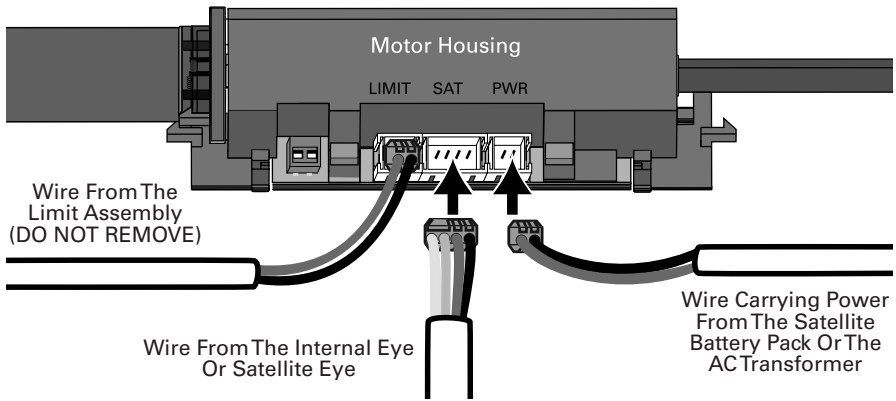
- Push the other end of the wand into the pivot release clip and snap closed.
- Make sure the wand is securely seated in both the spring clip and pivot release clip.

- Close the cover of the headrail.
- Allow 30 seconds for the system to power up.

INSTALL THE SATELLITE BATTERY PACK OR AC TRANSFORMER (OPTIONAL)

If the satellite battery pack or AC transformer was ordered, connect it to the motor.

- Open the cover rail.
- *From the top of the headrail*, insert the 2-port satellite battery pack or AC transformer connector into the PWR plug on the motor housing, as shown at the top of the next page. Do not force the connection. Make sure the orientation of the plug is correct before attempting to make the connection.
- Close the cover rail.



MOUNT THE INSTALLATION BRACKETS

Mounting Requirements

Note: Mount the headrail *level* for proper shade operation. Use a carpenter's level to check that the mounting surface is level on an inside mount and that the tops of the installation brackets are level and aligned on an outside mount. If necessary, shim the brackets.

Number of Brackets Required

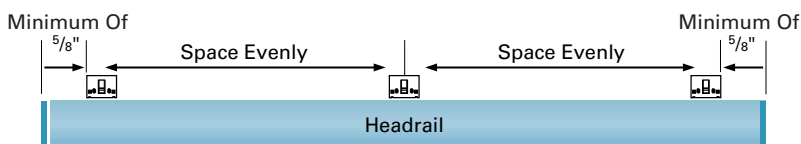
- The number of installation brackets included with each shade depends upon the ordered width, as shown in the chart below.
- Use spacer blocks or extension brackets for additional clearance.

Shade Width*	Brackets Required
12" - 31"	2
31 ¹ / ₈ " - 79"	3
79 ¹ / ₈ " - 127"	4
127 ¹ / ₈ " - 174"	5

*End Mount Maximum Width Is 65". Two Installation Brackets And Two Extension Brackets Are Always Necessary For End Mounting.

Bracket Spacing

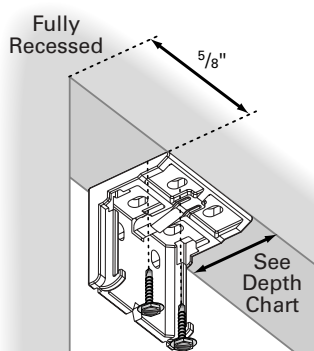
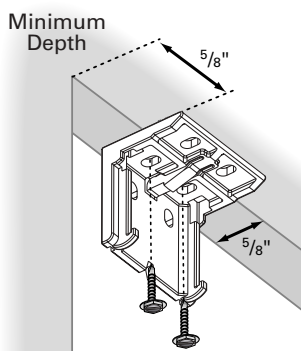
- Bracket spacing is the same for inside mounts, outside mounts, or ceiling mounts. End mounting is explained on page 18.
- The two end brackets are spaced so that their outside edges are at least $\frac{5}{8}$ " in from the ends of the headrail.



- Additional brackets, if used, are evenly spaced between the two end brackets.
- Adjust the bracket positions to accommodate any obstructions to the bottom rail, such as window cranks or handles.
- Measure and mark all bracket locations.

INSIDE MOUNT APPLICATIONS

Minimum mounting depth is $\frac{5}{8}$ ".



Bracket Placement

- The depth required to fully recess a shade depends on the pleat size.

Depth Chart For Bracket Placement

Pleat Size	Minimum	Fully Recessed
$\frac{1}{2}$ " Standard	$\frac{5}{8}$ "	2"
$\frac{3}{8}$ " Standard	$\frac{5}{8}$ "	2"
$\frac{3}{4}$ " Standard	$\frac{5}{8}$ "	2 $\frac{3}{8}$ "
1" Standard	$\frac{5}{8}$ "	2 $\frac{3}{8}$ "
Double Honeycomb	$\frac{5}{8}$ "	2 $\frac{3}{8}$ "
Triple Honeycomb	$\frac{5}{8}$ "	2 $\frac{3}{8}$ "

Note: For optimal operation of the infrared eye, the shade should not be recessed past the front of the window opening.

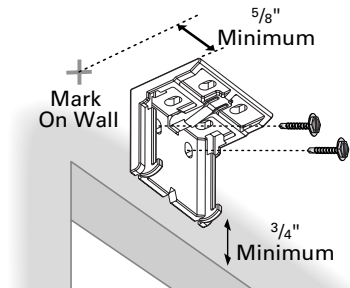
- Place both end brackets so that their outside edges abut the marks on the mounting surface.
- Check that each bracket is level and aligned. Attach using two screws.

OUTSIDE MOUNT APPLICATIONS

Minimum height measurement is $\frac{3}{4}$ ".

Bracket Placement

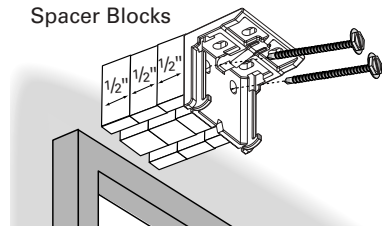
- Center the shade over the window opening and mark the ends of the headrail.
- Measure a minimum of $\frac{5}{8}$ " in from the marks on the wall and mark the bracket locations.
- Align both end brackets so that their outside edges abut the marks on the mounting.
- Adjust the bracket position to accommodate any obstructions to the bottom rail, such as window cranks or handles.
- Check that each bracket is level and their tops are aligned. Attach using two screws.



Spacer Blocks (Optional)

Each spacer block projects brackets $\frac{1}{2}$ " away from the mounting surface.

- Mount spacer blocks with the solid side facing the mounting surface.
- Use two mounting screws. Screws should be long enough to secure the bracket to the mounting surface.
- Use a maximum of three spacer blocks per bracket.

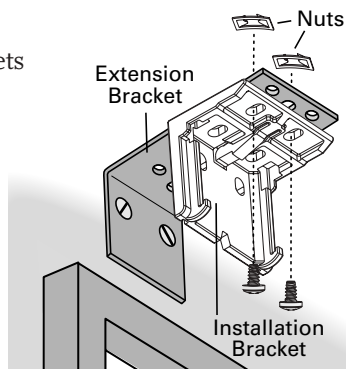


Note: Longer screws are required to secure the spacer blocks. These are not provided.

Extension Brackets (Optional)

Extension brackets project the installation brackets up to 3" away from the mounting surface.

- Place the extension brackets on a surface at least $\frac{3}{4}$ " high.
- Check that each bracket is level and aligned. Attach using two screws.
- Attach the installation brackets to the extension brackets using the machine screws and nuts provided.

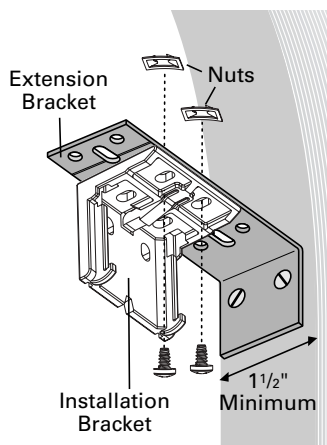


END MOUNT APPLICATIONS

End mount the headrail when conventional mounting techniques will not work, for example, in an arched window opening.

The maximum width of an end-mounted shade is 65".

- Mount the extension brackets on a surface at least $1\frac{1}{2}$ " wide, as shown.
- Attach the installation brackets to the extension brackets using the machine screws and nuts provided.

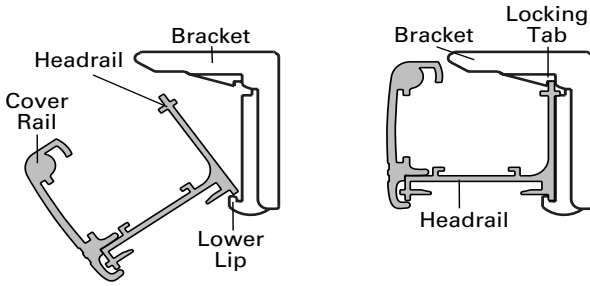


INSTALL THE SHADE

CAUTION: Be sure the wires coming from the satellite eye, satellite battery pack, or AC transformer do not become pinched by the brackets or headrail during installation.

Note: Satellite eye operated shades should have the rubber bands holding the satellite eye to the headrail removed prior to installing the shade. If the satellite eye is not connected to the shade, plug the 4-wire satellite eye connector into the 4-wire slot marked "SAT" on the motor housing.

- Tip the headrail forward and fit the back bottom edge into the lower lip of each bracket.

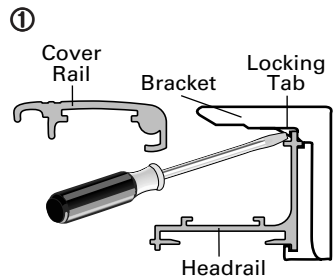


- Rotate the headrail up until it snaps into the locking tab on the back of each bracket.

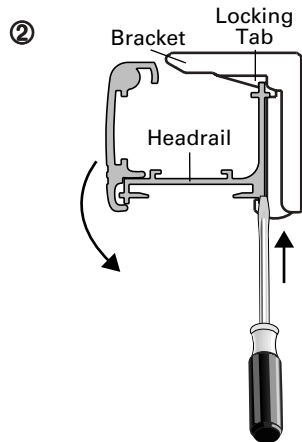
REMOVE THE SHADE

There are two ways to remove the headrail from the mounting bracket.

- 1) Access the locking tab through the front of the headrail.
 - Lift the cover rail.
 - Push in on the locking tab and rotate the headrail out of the bracket.
- 2) Access the locking tab from behind the headrail.
 - Insert a long, flat blade screwdriver between the back of the installation bracket and the headrail.
 - Push up on the locking tab and rotate the headrail out of the bracket.



To Release, Lift The Cover Rail And Push In On The Locking Tab



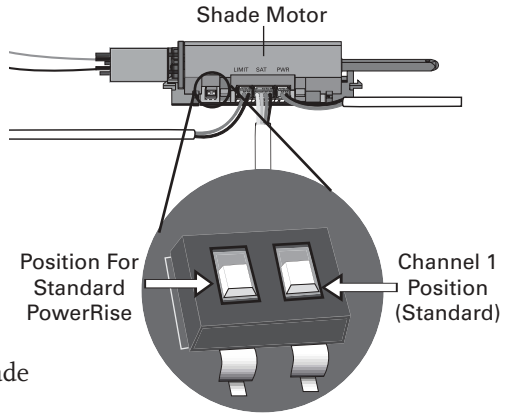
TEST OPERATION

CAUTION: Duette® with PowerRise® shades must be reset before the first use.

Channel Selection

PowerRise shades are set on Channel 1 (switch toward the front of the shade) unless specified for Channel 2 at the time of ordering. To switch a shade's operating channel:

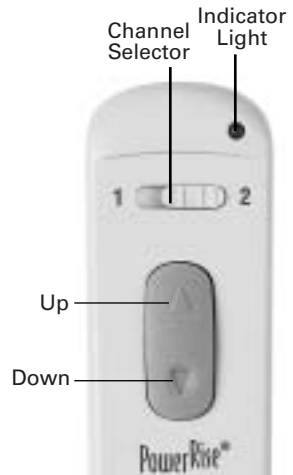
- Remove the shade from the mounting brackets and open the cover rail.
- The channel selector is located on the motor board next to the limit assembly plug.
- The right switch controls the channel operation and the left switch controls the shade operation.
- Using a small, flat blade screwdriver, flip the right channel selector switch toward the front of the shade for Channel 1 operation and toward the back of the shade for Channel 2 operation.



CAUTION: Leave the left side switch in the back position.

Reset The Shade

- Press and release the DOWN ▼ button to lower the shade completely.
- With the shade completely lowered, press and hold the DOWN ▼ button for 5 seconds. This will clear the memory and the shade can be operated normally.



Lower And Raise The Shade

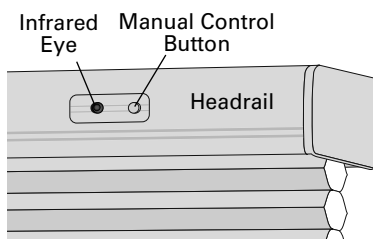
Note: For standard operation, press and release the buttons on the remote control.

- Select the correct channel for your shade (Channel 1 is standard) by switching the channel selector on the remote control.
- Point the remote control at the infrared eye on the headrail or on the satellite eye and press the DOWN ▼ button to lower the shade. Press the UP ▲ button to raise the shade.
 - To stop the shade *before* it is fully lowered, press the DOWN ▼ button a second time.
 - To stop the shade *before* it is fully raised, press the UP ▲ button a second time.

Use The Manual Control Button

The manual control button is located next to the infrared eye on the headrail or the satellite eye.

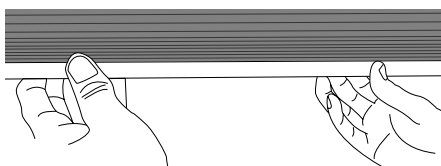
- Press the button to alternately lower, stop, and raise the shade.



Set And Clear The Memory Stop

The Memory Stop feature sets the shade so that it can be raised to the same height every time.

- With the shade fully lowered, press the UP ▲ button to raise the shade.
- When the shade reaches the desired height, stop its motion by firmly grasping the bottom rail with both hands, keeping the rail level.
- The motor will hesitate and then shut off.
- The Memory Stop will be set, and the shade will automatically stop at that point each time it is raised. Until the Memory Stop is cleared, the shade cannot be raised any higher.



To clear the Memory Stop, lower the shade completely and then press the DOWN ▼ button for 5 seconds.

MOUNT THE SATELLITE COMPONENTS (OPTIONAL)

Optional satellite components consist of the satellite battery pack, the satellite eye, or the AC transformer.

Satellite Battery Pack

■ Determine where to mount the satellite battery pack.

- Mount the satellite battery pack in a location where it will *not* interfere with the shade's operation.
- *On outside mounts*, the wire will exit from the top of the shade.
- *On inside mounts*, the wire will run along the control side end cap to the front of the shade.

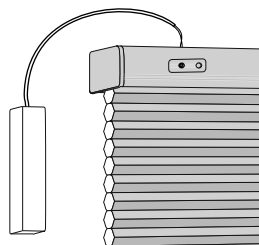
■ Mount the satellite battery pack.

- Use the holes in the rear of the pack as a template to mark the screw locations on the mounting surface.
- Attach using two screws.

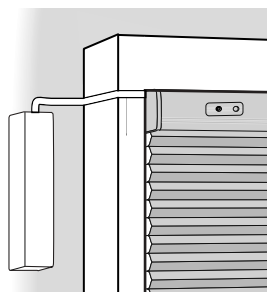
■ Load batteries into the satellite battery pack.

- After attaching the satellite battery pack to the mounting surface, load in eight AA alkaline batteries, according to the instructions on the battery pack.

Outside Mount



Inside Mount



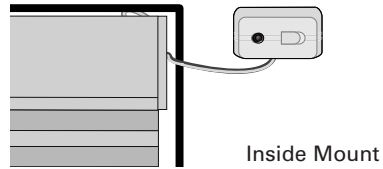
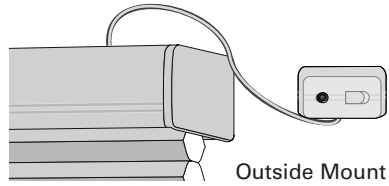
Satellite Eye

CAUTION: Handle the satellite eye carefully to avoid damaging the infrared eye. Do *not* touch or push on the infrared eye.

■ Determine where to mount the satellite eye.

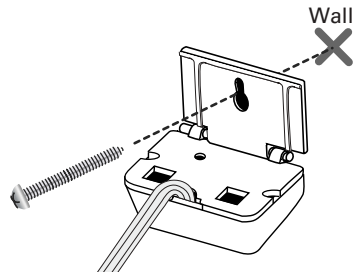
- Choose a location for the satellite eye where the signal from the remote is not obstructed. Do not mount the satellite eye in direct sunlight or bright, focused light from halogen or fluorescent light fixtures, track lighting, spotlights, or neon lights.
- Check that the wire is not caught or pinched in the brackets or headrail.
- With inside mounts, wrap the wire behind the headrail and along the side of the end cap to the front of the shade.

Satellite Eye Mounting Options



■ Mount the satellite eye.

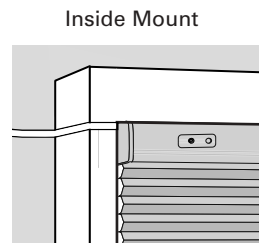
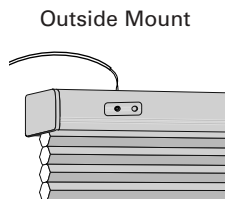
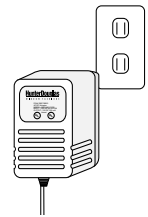
- Flip the satellite eye down and place the hinged flange against the wall. Attach the flange to the wall with a single screw.
- Swivel the satellite eye upward to the correct angle for receiving the signal from the remote control.



AC Transformer

■ Plug the AC transformer into a standard 110V outlet.

- Route the wire to a location where it will not interfere with the shade.
- On *outside mounts*, the wire exits from the top of the shade.
- On *inside mounts*, the wire runs along the control side end cap to the front of the shade.
- After the AC transformer has been attached to the 2-pin power connector on the headrail, and the headrail has been installed, plug the AC transformer into a 110V outlet.



Questions? Call the
Hunter Douglas
Customer Information Center at
1-888-501-8364
Visit our Web site at hunterdouglas.com



HunterDouglas
window fashions

hunterdouglas.com

Where Great Rooms Begin.

© 2003, 2004 Hunter Douglas Inc. ® Registered trademark of Hunter Douglas Inc. ™ Trademark of Hunter Douglas Inc.
Patented in the U.S. and foreign countries. U.S. and foreign patents pending.



PCN5109080000

rev. 8/04