

PRM 2101K

Outdoor Microphone Preampfier System

User Manual



Larson Davis Inc.
1681 West 820 North
Provo, UT 84601-1341
Phone: (888) 258-3222
FAX: (801) 375-0182
www.LarsonDavis.com
IPRM2101K Rev C

Copyright

Copyright 2003 by Larson Davis, Incorporated. This manual is copyrighted, with all rights reserved. The manual may not be copied in whole or in part for any use without prior written consent of Larson Davis, Inc.

Disclaimer

The following paragraph does not apply in any state or country where such statements are not agreeable with local law:

Even though Larson Davis, Inc. has reviewed its documentation, Larson Davis Incorporated makes no warranty or representation, either expressed or implied, with respect to this software and documentation, its quality, performance, merchantability, or fitness for a particular purpose. This documentation is subject to change without notice, and should not be construed as a commitment or representation by Larson Davis, Inc.

This publication may contain inaccuracies or typographical errors. Larson Davis, Inc. will periodically update the material for inclusion in new editions. Changes and improvements to the information described in this manual may be made at any time

Equal Opportunity Employer

Larson Davis is an equal opportunity employer and does not discriminate on the basis of race, color, religion, gender, national origin, disability or veteran status.

Please examine your instrument and record the following information below. You may be asked to give this information in any future communications you have with Larson Davis, Inc.

Record of Serial Number and Purchase Date

PRM2101K Serial Number: _____

Purchase Date: _____

Technical Support:

In the U.S. call toll-free: 888-258-8259

International customers: 801-343-0031

FAX: 801-375-0182

Support@LarsonDavis.com

Worldwide Web: www.LarsonDavis.com

Recycling

Larson Davis, Inc. is an environmentally friendly organization and encourages our customers to be environmentally conscious. When this product reaches its end of life, please recycle the product through a local recycling center or return the product to:

Larson Davis, Inc.

Attn: Recycling Coordinator

1681 West 820 North

Provo, Utah, USA 84601

where it will be accepted for disposal

Table of Contents

| | |
|---|-------------|
| PRM2101K Outdoor Microphone Preamplifier System Installation and Operation | 1-1 |
| Introduction | 1-1 |
| Initial Installation | 1-3 |
| PRM2101K Mounting Instructions | 1-4 |
| Sound Measurement | 1-6 |
| Acoustic Calibration | 1-7 |
| Desiccant Replacement..... | 1-9 |
| Tilting the Hinged Tower..... | 1-9 |
| Tilting the tower down | 1-11 |
| Tilting the tower up | 1-12 |
| PRM2101K System Specifications | 2-1 |
| Included Components | 2-1 |
| PRM2101K..... | 2-1 |
| Resistive Heater | 2-2 |
| Electrostatic Actuator: | 2-2 |
| Desiccant (dehumidifier)..... | 2-3 |
| Rainhat/electrostatic actuator (EPS2110) | 2-3 |
| Windscreen/birdspikes (WS005) | 2-3 |
| Windscreen Insert (WS005-F)..... | 2-3 |
| Recommended Components | 2-3 |
| Model 820 Noise and Vibration Monitor | 2-3 |
| Calibration..... | 2-4 |
| Environmental..... | 2-4 |
| Physical | 2-4 |
| Dimensions (not including windscreen)..... | 2-5 |
| Connectors | 2-5 |
| Warranty/Customer Satisfaction | A- 1 |

List of Figures

| | |
|---|------------|
| PRM2101K Outdoor Microphone Preamplifier | |
| System Installation and Operation | 1-1 |
| Remote Noise Monitoring Site | 1-1 |
| Preamplifier Connections | 1-3 |
| Mounting the PRM2101K | 1-4 |
| PRM2101K Assembly | 1-7 |
| TRP011 Tilt-down Tower | 1-11 |
| PRM2101K System Specifications | 2-1 |
| Control Switches | 2-6 |

List of Tables

| | |
|---|-------------|
| PRM2101K Outdoor Microphone Preamplifier | |
| System Installation and Operation | 1-1 |
| PRM2101K System Specifications | 2-1 |
| Signal Pins | 2- 5 |
| Control Pins..... | 2- 6 |
| Warranty/Customer Satisfaction | A- 1 |

PRM2101K Outdoor Microphone Preamplifier System Installation and Operation

Introduction

The PRM2101K outdoor preamplifier has been designed for permanent outdoor use in severe weather conditions. It is constructed of stainless steel to resist corrosion, and its thin profile minimizes both wind resistance and acoustic reflections. It is mounted to resist shock and will screw onto any 1.5" standard pipe thread.

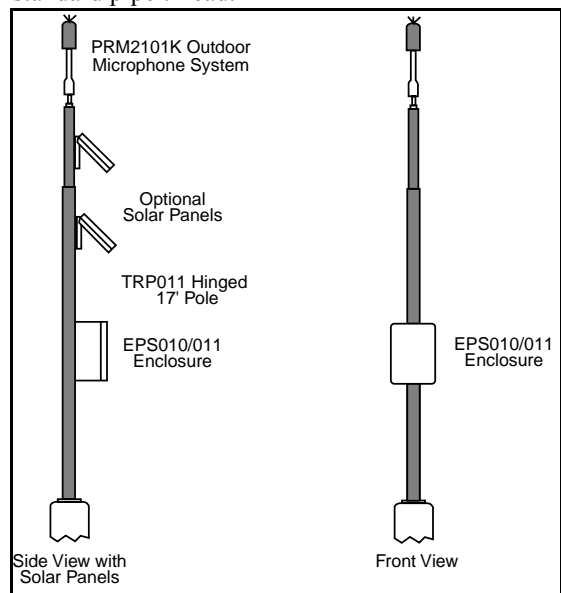


FIGURE 1-1 Remote Noise Monitoring Site

The PRM2101K is designed to be a major component of a remote noise monitoring site as shown in FIGURE 1-1 "Remote Noise Monitoring Site". A typical remote noise monitoring site includes the following components:

- PRM2101K with preamplifier, electrostatic actuator and driver, heater, and silica gel desiccant chamber
- EPS2110 rainhat with electrostatic actuator
- WS005 windscreen with birdspikes

In addition, the following Larson Davis accessories are recommended:

- Random incidence microphones (Model 2560 or 377A60) or free-field microphone (Model 2541 or 377B41)
- Model 820 sound level meter with 820-OPT 01 Control output
- PSA007B NMS switching power supply (90 - 264 VAC) with battery BAT001 (12 V, 26 Ah) or PSA012B Solar Battery Power Supply with 47 W solar panel.
- Preamplifier cables EXC020 and CBL009-020
- Tilt-down TRP011 (17', aluminum) , portable tripod tower TRP007-10 (10') or portable tripod tower TRP007-20 (20')
- TRP008 accessory mount for fixing weather sensors into the TRP007 portable tripod tower.
- TRP012 accessory mount for fixing weather sensors into the TRP011 17' tilt-down tower.

Initial Installation

The PRM2101K comes from the factory fully assembled, with its microphone installed (if purchased at the same time). The microphone grid cap is replaced with the rainhat and electrostatic actuator. The grid cap is stored in the microphone box for use when the system is acoustically calibrated. (If the PRM2101K is purchased without a microphone, see Figure 1-4 "PRM2101K Assembly".)

The PRM2101K is installed on a 1.5" diameter threaded pipe, such as at the top of the TRP011 or other pole.

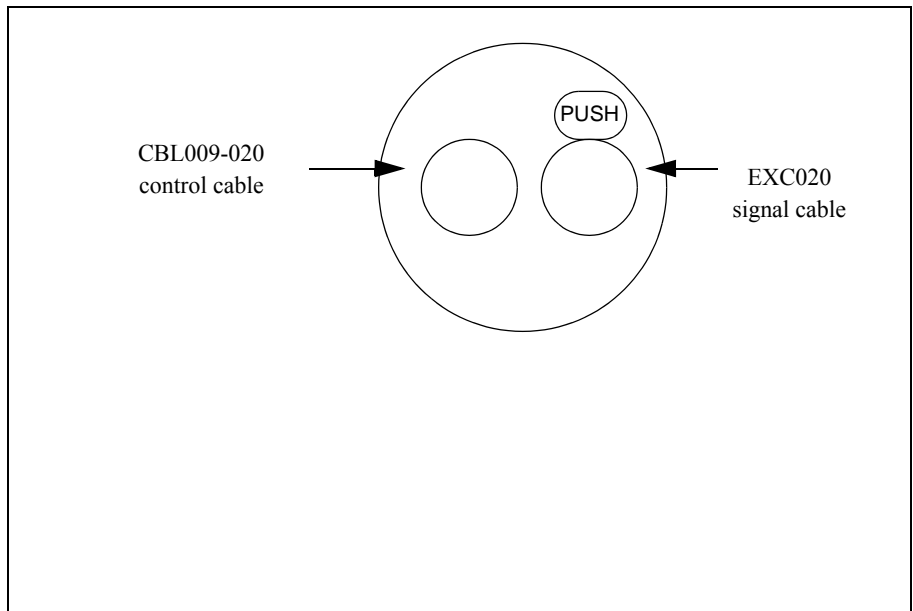
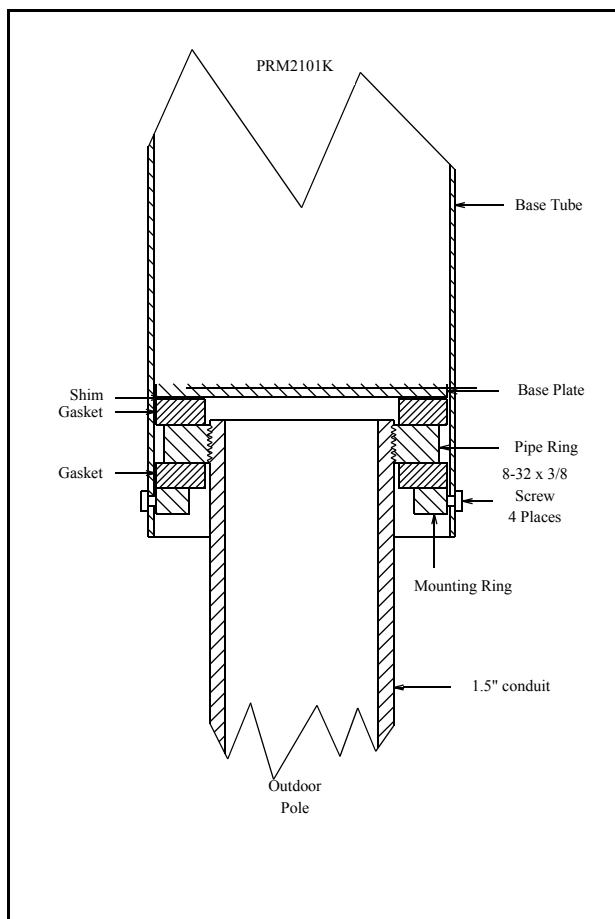


FIGURE 1-2 Preamplifier Connections

PRM2101K Mounting Instructions

To mount the PRM2101K on an outdoor pole, follow the instructions in the order listed and refer to Figure 1-3 "Mounting the PRM2101K". Larson Davis tilt-down towers must be installed according to contractor specifications.

Mounting the PRM2101K.



1. First slide the mounting ring, then one rubber gasket, over the 1.5" conduit or pipe on the top of the outdoor pole.
2. Fasten the pipe ring firmly on the 1.5" pipe. For proper shock mounting, threads must not extend beyond the top surface of the ring
3. Place one or two clear plastic shims in the bottom of the base tube if needed for tightness.
4. Place the second rubber gasket in the bottom of the base tube.
5. Connect the EXC020 and the CBL-009 to the base of the PRM2101K and mount the PRM2101K onto the TRP011 such that the desiccant chamber window will be facing towards the ground if the pole can be lowered. This will make it easier to change the desiccant in the future.
6. Align the four holes of the base tube with the corresponding holes in the mounting ring. Use the socket head screws to secure the PRM 2101K. Turning the PRM2101K is not required.

The other ends of the preamp cables connect to an accessory as follows:

- The EXC020 female end connects to the 820 preamplifier input.
- The CBL009-020 enclosure end has three connectors: the stereo plug connects to the 820 control I/O port, the others to the PSA007B power supply (push-on to fuse box and spade to grounding block). The 820 control I/O port is the one closest to the instrument battery compartment.

Sound Measurement

The PRM2101K is normally shipped with a precision air condenser microphone installed under the EPS 2110 rainhat.

With the PRM2101K connected to the 820, turn on the polarization voltage (normally the 200 V setting is used) and observe if the instrument is responding to sounds. The PRM 2101K will perform similarly to a standard preamplifier. If there are any difficulties at this point, substitute a Model 828 preamplifier onto the 820 to ascertain if the PRM2101K is working properly.

Acoustic Calibration

Caution: Be careful not to touch the microphone diaphragm when removing and replacing the actuator and microphone grid (see FIGURE 1-4 "PRM2101K Assembly")

To calibrate the measurement system with an acoustic calibrator, follow steps 1 through 12 when the microphone, rainhat and electrostatic actuator (hereafter referred to as rainhat), and birdspikes are in place.

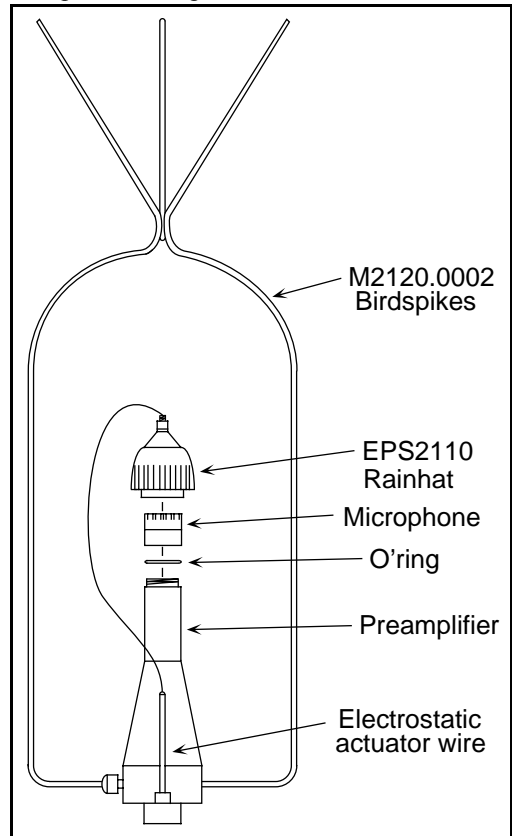


FIGURE 1-4 PRM2101K Assembly

The birdspikes enclose the windscreen. The rainhat is screwed on the top of the microphone, replacing its grid cap. The rainhat and microphone are covered by the windscreen.

Note: The birdspikes slides ~ 2" to provide room for the calibrator. Removal and replacement of the microphone is not recommended in the outdoor environment.

Caution: Be sure that you do not unscrew the microphone. Do not put any pressure on the ribs of the rainhat. Do not let the actuator get contaminated

Caution: When moving the birdspikes down, be sure the actuator wire is placed in the slot provided; otherwise it could be damaged.

Note: When the 820 is in the "Auto-CAL Mode", the actuator will initiate a daily calibration check which will be recorded (refer to the 820 manual, setup items #37 and #38). To determine if there is any significant calibration drift, compare the reference level with the daily levels.

1. Pull the windscreen cover off and loosen the screw at the base of the birdspikes to make room for the calibrator. Tighten the birdspikes screw after raising the assembly 2".
2. Unscrew the wire attached to the top of the rainhat by turning the nut, not the wire. Do not allow the actuator wire to come in contact with metal or flesh. It carries electrical currents during calibration check.
3. Unscrew the rainhat and place it on a clean, dry surface.
4. Screw on the microphone grid cap. It is usually kept in the microphone box.
5. Place the calibrator over the microphone and press its ON switch.
6. Check the calibration level. Refer to your measurement instrument's operations manual.
7. If necessary change the calibration level.
8. Remove the calibrator.
9. Remove the microphone grid cap. Place the grid cap back into the microphone box.
10. Replace the rainhat and attach the actuator wire
11. Replace the windscreen, move the birdspikes all the way down, and tighten the screw.
12. Perform a calibration check with the 820. The electrostatic actuator will automatically give a dB level depending on the microphone used. Write the level down, and compare with readings taken in "Auto-CAL Mode" (setting # 37). Use it as the reference for all measurements using the same microphone.

The PRM2101K is now ready to take acoustic measurements.

Desiccant Replacement

The desiccant is contained in eleven plastic cylinders. The end cylinder can be seen through the window. The change of color from blue to pink determines when the desiccant should be replaced.

1. Unscrew the six screws holding the window in place. Unscrew only far enough to release the window. Screws are self retaining and should not be removed from the acrylic window.
2. Remove the window and gasket.
3. Raise the pole to the one o'clock position. This will allow the eleven desiccant tubes to fall out of the PRM2101K to the ground.
4. Lower the pole and replace the desiccant.
5. Replace the window and gasket.
6. Gently tighten the six screws evenly, but not overly tight or the window may be damaged.

Tilting the Hinged Tower

The PRM2101K may be mounted on the TRP011 tiltdown tower. This hinged tower is in two parts; one stationary and the other movable. The movable part overlaps the stationary part. The bottom back of the pole has:

- a latch with a hole for a lock that secures the tower to prevent unauthorized persons from tilting the tower down.
- a 3/4" bolt that keeps the two parts from separating.

Caution: Do not loosen or remove the bolt unless both ends of the restraining rope are properly attached. Be sure the area in front of the tower is clear. Do not maintain the tower in an electrical storm or when the wind speed exceeds 32 km/hr (19.2 mph). Use more than one technician when the wind speed exceeds 15 km/hr (9 mph).

- two flanges with holes, two bolt nuts, one welded to the stationary part and one welded to the movable part. These are for clamping each end of a retaining rope.

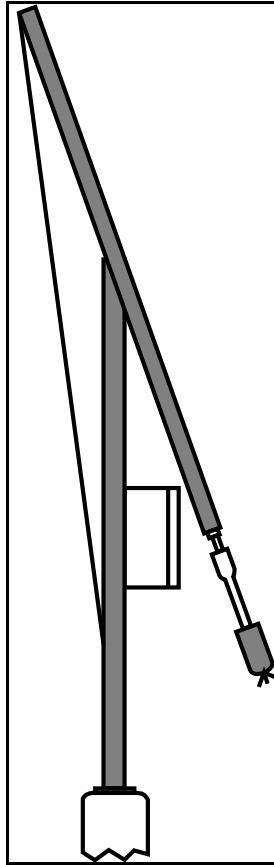


FIGURE 1-5 TRP011 Tilt-down Tower

Tilting the tower down

1. Clamp one end of the rope to the bottom flange attached to the stationary part.
2. Clamp the other end of the rope to the top flange attached to the movable part.
3. Remove the lock and the bolt. Put pressure on the movable part to keep it from suddenly tilting.
4. Hold the rope and allow the movable part to tilt slowly down.

Tilting the tower up

1. Pull the rope, and allow the movable part to tilt slowly up.
2. Replace the bolt. Put pressure on the movable part to keep it from suddenly tilting.
3. Replace the lock and remove the rope, storing it in the tower housing.

PRM2101K System Specifications

The technical specifications in this chapter are subject to change without notice. Please refer to calibration and test results for data on a specific unit.

Included Components

PRM2101K

Frequency:

± 0.1 dB: 20 Hz to 20 kHz

- 3 dB @ 1 Hz

Gain:

- 0.15 dB

Input Impedance:

10 G Ω // 0.3 pF

Output Impedance:

< 50 Ω

Maximum rms out:

1.0 Volt with Model 820

Noise Floor: (2541, 377B41, 2560 or 377A60 microphone, EXC020 cable)

A-weight: 19 dB typical, 22 dB max

C-weight: 18 typical, 21 dB max

Power Supply

Voltage Range:

Dual: ± 7 Volt to ± 18 Volt

Single: 14 Volt to 36 Volts

Quiescent Current:

1.7 mA typical

Resistive Heater

Operating Power:

8 to 14 Vdc (75 mA @ 12 Vdc), 160 Ω , 0.9 Ω

Turn-on:

< 2 Vdc, 45 μ A from open collector

Electrostatic Actuator:

Output:

Nominal 96 dB SPL @ 1 kHz

Operating Power:

5 to 18 Vdc (60 mA @ 12 Vdc)

70 μ A when off

Turn-on:

4 to 15 Vdc (20 mA @ 5 Vdc)

Desiccant (dehumidifier)

17 gram blue silica gel (eleven capsules @ 1.5 gram) with expected life of 6 - 12 months (replacement required when gel turns pink).

Rainhat/electrostatic actuator (EPS2110)

Windscreen/birdspikes (WS005)

Windscreen Insert (WS005-F)

Recommended Components

Model 820 Noise and Vibration Monitor

Dynamic Range:

110 dB

Data Storage:

256Kbyte

Interface:

RS-232

Microphones:

- Free-Field, high sensitivity Model 2541 or 377B41
- Random, high sensitivity Model 2560 or 377A60

Both are 1/2" condenser microphones, 18 pF, with diaphragm impervious to nitric acid, sulfuric acid, hydrochloric acid and salt.

Cables:

- 20 foot preamplifier cable (EXC020)
- 20 foot control cable (CBL009-020)

Calibration

Internal electrostatic actuator verifies complete system accuracy (including microphone) to Type 1 performance. Actuator provides approximately 96 dB sound pressure level output at a frequency of 1 kHz.

Environmental

Temperature Range:

- 40° to 65° C (- 40° to 149° F)

Humidity Range:

0 to 100% relative humidity

Physical

Mounting Screw Threads

1 1/2" NPT (shock mounting built-in)

Dimensions (not including windscreen)

Preamplifier diameters:

Top: 13.3 mm (1/2 in)

Middle: 26.7 mm (1 in)

Bottom: 76.2 mm (3 in)

Lengths:

Overall (top of birdspikes): 1092 mm (43.0 in)

Preamplifier: 918 mm (35.8 in)

Weight:

3 kg (6.6 lb.)

Connectors

Signal (female; mates with Switchcraft TA5ML)

| Pin | Purpose |
|-----|---------------|
| 1 | Ground |
| 2 | Signal Output |

Table 3-1 Signal Pins

| Pin | Purpose |
|------------|--------------------------------|
| 3 | Power supply negative voltage |
| 4 | Microphone bias (0 to 200 Vdc) |
| 5 | Power supply positive voltage |

Table 3-1 Signal Pins

Control (male; mates with Switchcraft TA5FL)

| Pin | Purpose |
|------------|--------------------------------|
| 1 | Ground |
| 2 | + 12 V |
| 3 | Electrostatic Actuator Control |
| 4 | Heater Control |
| 5 | Not Used |

Table 3-2 Control Pins

Switches (internal to 820, connected to CBL009-020)

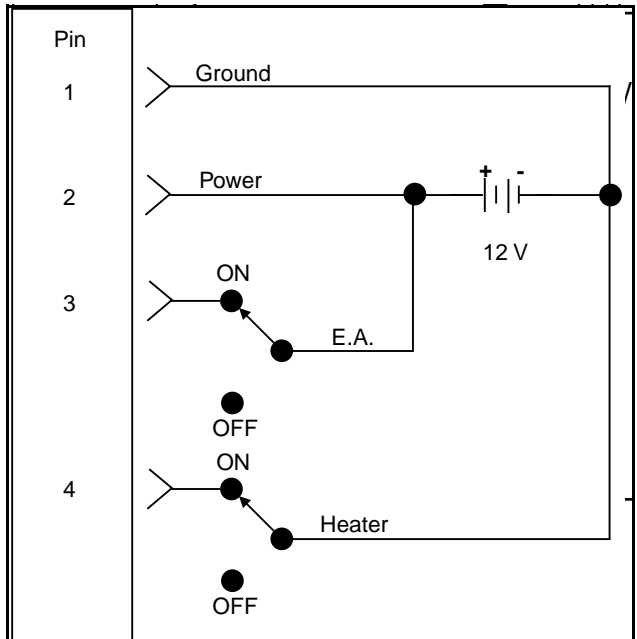


FIGURE 2-1 Control Switches

A

Warranty/Customer Satisfaction

A. Total Customer Satisfaction. Larson Davis, Inc. ("LD") guarantees Total Customer Satisfaction. If, at any time you are not completely satisfied with any LD product, LD will repair, replace or exchange it at no charge, except as otherwise provided in this Limited Warranty. The employees of LD strive to provide superior, unmatched customer service. Should you find yourself dissatisfied with any LD product for any reason, consult a LD Application engineer or local representative/ distributor to discuss your situation.

B. Purchase Price Refund/Limited Warranty. LD warrants to the original purchaser (the "Buyer") that, unless otherwise expressly specified in writing by a LD officer, all LD products shall be free of defects in material and workmanship for a period of two (2) years from date of original purchase. In furtherance of LD's commitment to Total Customer Satisfaction, LD will, for a period of one (1) year from date of original purchase, refund 100% of the customer's purchase price for any LD product with which the buyer is not completely satisfied, subject to the exceptions contained in Paragraph J of this Limited Warranty. The option of a refund may be selected during this one (1) year period in lieu of repair, replacement or exchange of the product.

Extended Labor Warranty. In furtherance of LD's commitment to Total Customer Satisfaction, LD offers an extended labor warranty of one (1) year on all products calibrated or certified by a factory technician at any time or from time-to-time during the first seven years of the product life from date of manufacture. The customer's sole remedy pursuant to this extended warranty is to receive free labor for any repairs required during the period in which the extended warranty is effective. This extended labor warranty is subject to the limitations as outlined in Paragraph J.

Service & Repair Limited Warranty. In addition to the limited warranties set forth above, LD offers a 90-day parts and labor limited warranty for all repair work performed at the factory. This warranty is limited to parts repaired or replaced at the factory by LD. This warranty is also subject to the limitations as outlined in Paragraph J.

C. Shipping Charges. The buyer will return the product freight prepaid by the Buyer to an authorized service center. The product will be returned to the buyer freight prepaid by LD.

D. Products Manufactured by Others. This Limited Warranty does not cover any products manufactured by others. Such products are subject to the warranty, if any, of their respective manufacturers, and to be repaired only by a respective authorized service person for such products. LD shall have no obligation to undertake repairs of products manufactured by others.

E. NO SPECIAL, INCIDENTAL OR CONSEQUENTIAL DAMAGES. LD'S SOLE OBLIGATIONS UNDER THIS LIMITED WARRANTY ARE SET FORTH ABOVE IN PARAGRAPHS A, B, C AND D. IN NO EVENT SHALL LD (ITS CONTRACTORS OR SUPPLIERS) BE LIABLE TO THE BUYER FOR ANY LOST PROFITS, DIRECT, INDIRECT, SPECIAL, INCIDENTAL OR CONSEQUENTIAL DAMAGES, WHETHER BASED ON CONTRACT, IN TORT OR ANY OTHER LEGAL THEORY. SUCH DAMAGES FOR WHICH LD SHALL NOT BE RESPONSIBLE INCLUDE, BUT ARE NOT LIMITED TO, LOST TIME AND CONVENIENCE, LOSS OF USE OF THE PRODUCT, THE COST OF A PRODUCT RENTAL, COSTS OF GASOLINE, TELEPHONE, TRAVEL OR LODGING, THE LOSS OF PERSONAL OR COMMERCIAL PROPERTY, AND THE LOSS OF REVENUE.

Some states do not permit the limitation or disclaimer of incidental or consequential damages. Therefore, the above disclaimer of incidental or consequential damages may not apply to certain purchasers.

F. NO LIABILITY IN EXCESS OF PURCHASE PRICE. IN NO EVENT SHALL LD'S OBLIGATIONS UNDER THIS LIMITED WARRANTY EXCEED THE PURCHASE PRICE OF THE PRODUCT PLUS ANY SHIPPING CHARGES THAT LD MAY BE OBLIGATED TO PAY PURSUANT TO PARAGRAPH C ABOVE.

G. NO EXTENSION OF STATUTE OF LIMITATIONS. ANY REPAIRS PERFORMED UNDER THIS LIMITED WARRANTY SHALL NOT IN ANY WAY EXTEND THE STATUTES OF LIMITATIONS FOR CLAIMS UNDER THIS LIMITED WARRANTY.

H. WAIVER OF OTHER WARRANTIES. THE EXPRESS WARRANTIES SET FORTH IN THIS LIMITED WARRANTY ARE IN LIEU OF AND EXCLUDE ANY AND ALL OTHER WARRANTIES, EXPRESSED OR IMPLIED, INCLUDING BUT NOT LIMITED TO, THE IMPLIED WARRANTIES OF MERCHANTABILITY AND FITNESS FOR A PARTICULAR PURPOSE.

Some states do not permit the disclaimer of implied warranties. Therefore, the above disclaimer of implied warranties may not apply to certain purchasers.

I. Procedure for Warranty Performance. If the product fails to perform to LD's specifications, the Buyer must provide LD with the applicable model and serial numbers, the date of purchase, and the nature of the problem.

J. ADDITIONAL EXCLUSIONS FROM THIS LIMITED WARRANTY. NOTWITHSTANDING ANYTHING TO THE CONTRARY CONTAINED IN THIS LIMITED WARRANTY, THIS LIMITED WARRANTY DOES NOT COVER ANY OF THE FOLLOWING:

1.EQUIPMENT THAT HAS BEEN ABUSED, DAMAGED, USED BEYOND RATED CAPACITY, OR REPAIRED BY PERSONS OTHER THAN AUTHORIZED SERVICE PERSONNEL.

2.DAMAGE CAUSED BY ACTS OF GOD THAT INCLUDE, BUT ARE NOT LIMITED TO, HAILSTORMS, WINDSTORMS, HURRICANES, TORNADOES, SANDSTORMS, LIGHTNING, FLOODS AND EARTHQUAKES.

3.DAMAGE UNDER CONDITIONS CAUSED BY FIRE OR ACCIDENT, BY ABUSE OR BY NEGLIGENCE OF THE USER OR ANY OTHER PERSON OTHER THAN LD, BY IMPROPER INSTALLATION, BY MISUSE, BY INCORRECT OPERATION, BY “NORMAL WEAR AND TEAR”, BY IMPROPER ADJUSTMENT OR ALTERATION, BY ALTERATIONS NOT COMPLETED BY AUTHORIZED SERVICE PERSONNEL, OR BY FAILURE OF PRODUCTS PARTS FROM SUCH ALTERATIONS.

4.COSTS OF REPAIRING DAMAGE CAUSED BY POOR OR IMPROPER MAINTENANCE OR UNAUTHORIZED REPAIR.

5.COSTS OF MODIFYING THE PRODUCT IN ANY WAY ONCE DELIVERED TO THE BUYER, EVEN IF SUCH MODIFICATIONS WERE ADDED AS A PRODUCTION CHANGE ON OTHER PRODUCTS MADE AFTER THE BUYER'S PRODUCT WAS BUILT.

Authority to Alter This Limited Warranty. No agent, representative, distributor, or authorized dealer of LD has any authority to alter the terms of this Limited Warranty in any way. This Limited Warranty may be altered only in a writing signed by an authorized officer of LD.

Index

C

Cables

Preamplifier 1-2

Calibration

Acoustic 1-7

Connectors 2-5

Customer Service i-3

D

Desiccant

Replacement 1-9

E

Electrostatic Actuator 1-2

EPS2110 1-2

I

Installation 1-1

Initial 1-3

PRM2101K 1-4

Introduction 1-1

M

Microphones 1-2

Model 820 1-2

O

Operation 1-1

P

Pole 1-2

Power Supply 1-2

R

Rainhat 1-2

Remote Noise Monitoring System

Components 1-2

S

Sound Level Meter 1-2

Sound Measurement 1-6

Specifications 2-1

| | |
|---------------------------------------|-----|
| 820 Noise and Vibration Monitor | 2-3 |
| Calibration | 2-4 |
| Connectors | 2-5 |
| Desiccant | 2-3 |
| Electrostatic Actuator | 2-2 |
| Environmental | 2-4 |
| Heater | 2-2 |
| Physical | 2-5 |
| Power supply | 2-2 |
| PRM2100K | 2-1 |
| Rainhat/electrostatic actuator | 2-3 |
| Windscreen insert | 2-3 |
| Windscreen/birdspikes | 2-3 |

T

| | |
|-------------------------|------|
| Technical Support | i-3 |
| Tilt-down Pole | 1-2 |
| Tilting | 1-11 |
| Tower | |
| Tilting | 1-9 |
| Tilting down | 1-11 |
| Tilting up | 1-12 |
| TRP007 | 1-2 |
| TRP008 | 1-2 |
| TRP011 | 1-2 |
| TRP012 | 1-2 |

W

| | |
|----------------------------|-----|
| Warranty | A-1 |
| Weather Sensor Mount | 1-2 |
| Windscreen | 1-2 |
| WS005 | 1-2 |